

# Oldcastle BuildingEnvelope®

1-866-Oldcastle (653-2278) - [www.obe.com](http://www.obe.com)

## MSD-375 / WSD-500 StormMax® Medium & Wide Stile Hurricane Resistant Entrance

*(Drawing numbers---i.e.,D5501---used as CAD detail reference only)*

### **Medium Stile**

D5501	FG-5700 StormMax® Storefront Framing
D5502	FG-5750 StormMax® Storefront Framing
D5503	FG-5750T StormMax® Storefront Framing
D5504	HR-250 StormMax® Curtain Wall Framing
D5505	HR-251 StormMax® Curtain Wall Framing
D5506	Reliance™ StormMax® Curtain Wall Framing
D5507	Reliance™ StormMax® High Performance Curtain Wall Framing

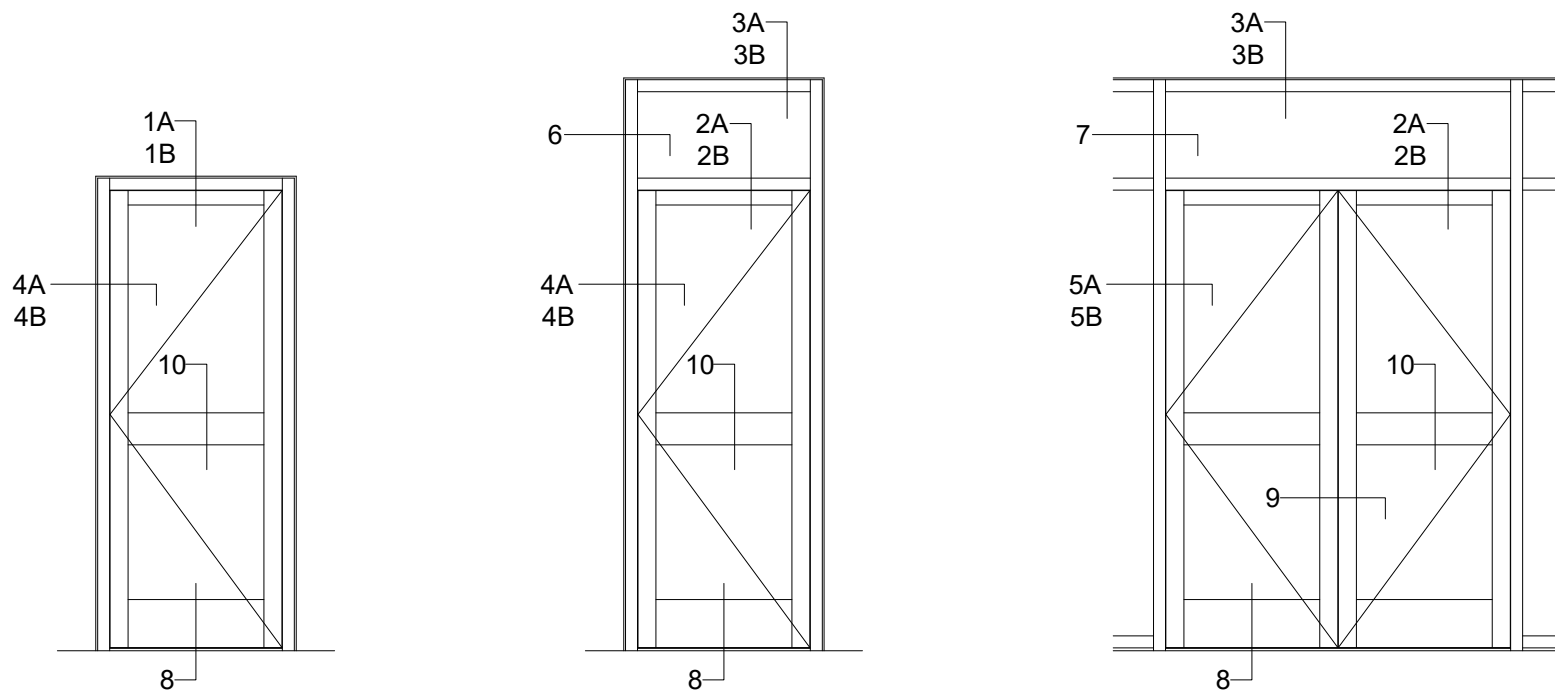
### **Wide Stile**

D5521	FG-5700 StormMax® Storefront Framing
D5522	FG-5750 StormMax® Storefront Framing
D5523	FG-5750T StormMax® Storefront Framing
D5524	HR-250 StormMax® Curtain Wall Framing
D5525	HR-251 StormMax® Curtain Wall Framing
D5526	Reliance™ StormMax® Curtain Wall Framing
D5527	Reliance™ StormMax® High Performance Curtain Wall Framing

## Table of Contents

# MSD-375 StormMax® Medium Stile Hurricane-Resistant Entrance

## FG-5700 StormMax® Storefront Framing - D5501

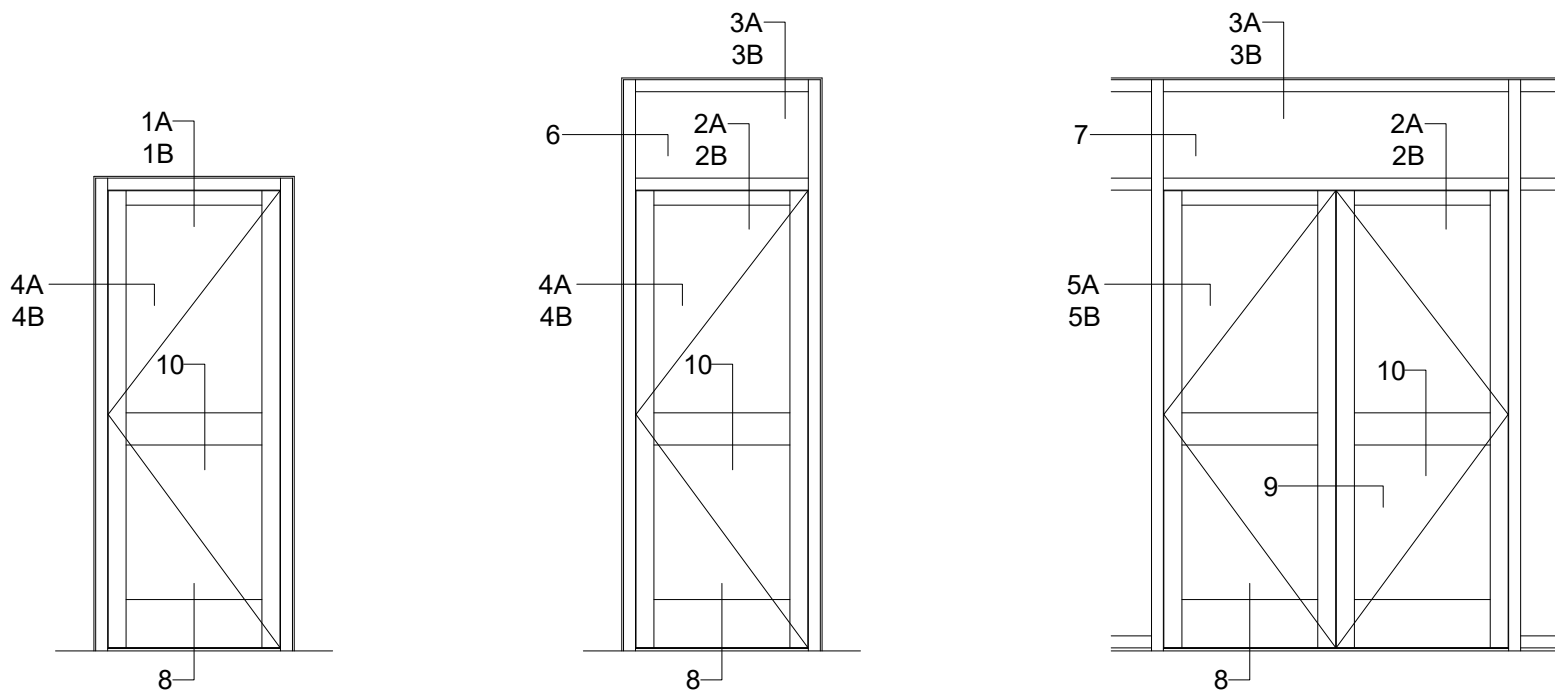


9/16" MONOLITHIC LAMINATED GLAZING IN DOOR,  
9/16" MONOLITHIC LAMINATED GLAZING IN FRAME  
NOTE: DRY GLAZED TRANSOM NOT SUPPORTED

<p><b>1A</b> DOOR HEADER - NO TRANSOM - OVERHEAD SURFACE CLOSER</p>	<p><b>1B</b> DOOR HEADER - NO TRANSOM - OVERHEAD CONCEALED CLOSER</p>	<p><b>2A</b> DOOR HEADER W/ TRANSOM - OVERHEAD SURFACE CLOSER</p>	<p><b>2B</b> DOOR HEADER W/ TRANSOM - OVERHEAD CONCEALED CLOSER</p>
<p><b>3A</b> TRANSOM HEAD OPTION 1</p>	<p><b>3B</b> TRANSOM HEAD OPTION 2</p>	<p><b>4A</b> DOOR JAMB - NO SIDELITE - OFFSET PIVOT OR BUTT HINGE</p>	<p><b>4B</b> DOOR JAMB - NO SIDELITE - CONTINUOUS GEAR HINGE</p>
<p><b>5A</b> DOOR JAMB W/ SIDELITE - OFFSET PIVOT OR BUTT HINGE</p>	<p><b>5B</b> DOOR JAMB W/ SIDELITE - CONTINUOUS GEAR HINGE</p>	<p><b>6</b> TRANSOM JAMB</p>	<p><b>7</b> TRANSOM SIDELITE</p>
<p><b>8</b> TYPICAL BOTTOM RAIL &amp; THRESHOLD</p>	<p><b>9</b> MEETING STILES</p>	<p><b>10</b> MUNTIN / MID-PANEL OPTIONS</p>	<p><b>M1</b> ALTERNATE INVERTED DOOR GLAZING DETAILS</p>
		<p><b>M2</b> ALTERNATE TOP &amp; BOTTOM RAILS</p>	<p><b>M3</b> STILE REINFORCEMENT PER HARDWARE REQUIREMENTS</p>

# MSD-375 StormMax® Medium Stile Hurricane-Resistant Entrance

## FG-5750 StormMax® Storefront Framing - D5502

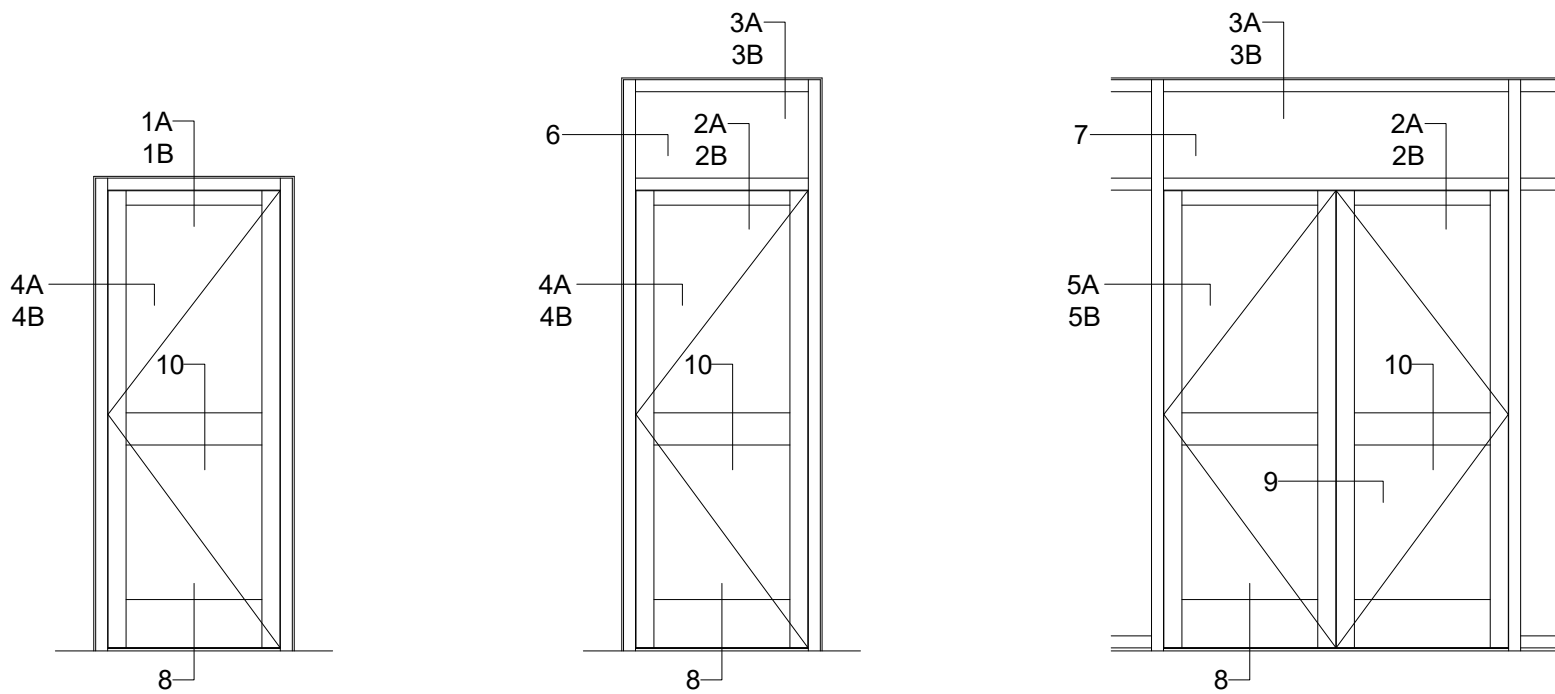


**9/16" MONOLITHIC LAMINATED GLAZING IN DOOR,  
1-5/16" INSULATING LAMINATED GLAZING IN FRAME**  
NOTE: DRY GLAZED TRANSOM NOT SUPPORTED

<p><b>1A DOOR HEADER - NO TRANSOM - OVERHEAD SURFACE CLOSER</b></p>	<p><b>1B DOOR HEADER - NO TRANSOM - OVERHEAD CONCEALED CLOSER</b></p>	<p><b>2A DOOR HEADER W/ TRANSOM - OVERHEAD SURFACE CLOSER</b></p>	<p><b>2B DOOR HEADER W/ TRANSOM - OVERHEAD CONCEALED CLOSER</b></p>
<p><b>3A TRANSOM HEAD OPTION 1</b></p>	<p><b>3B TRANSOM HEAD OPTION 2</b></p>	<p><b>4A DOOR JAMB - NO SIDELITE - OFFSET PIVOT OR BUTT HINGE</b></p>	<p><b>4B DOOR JAMB - NO SIDELITE - CONTINUOUS GEAR HINGE</b></p>
<p><b>5A DOOR JAMB W/ SIDELITE - OFFSET PIVOT OR BUTT HINGE</b></p>	<p><b>5B DOOR JAMB W/ SIDELITE - CONTINUOUS GEAR HINGE</b></p>	<p><b>6 TRANSOM JAMB</b></p>	<p><b>7 TRANSOM SIDELITE</b></p>
<p><b>8 TYPICAL BOTTOM RAIL &amp; THRESHOLD</b></p>	<p><b>9 MEETING STILES</b></p>	<p><b>10 MUNTIN / MID-PANEL OPTIONS</b></p>	<p><b>M3 STILE REINFORCEMENT PER HARDWARE REQUIREMENTS</b></p>
<p><b>M1 ALTERNATE INVERTED DOOR GLAZING DETAILS FOR MONOLITHIC INFILL ONLY</b></p>	<p><b>M2 ALTERNATE TOP &amp; BOTTOM RAILS</b></p>	<p><b>M3 STILE REINFORCEMENT PER HARDWARE REQUIREMENTS</b></p>	<p><b>M3 STILE REINFORCEMENT PER HARDWARE REQUIREMENTS</b></p>

# MSD-375 StormMax® Medium Stile Hurricane-Resistant Entrance

## FG-5750T StormMax® Storefront Framing - D5503



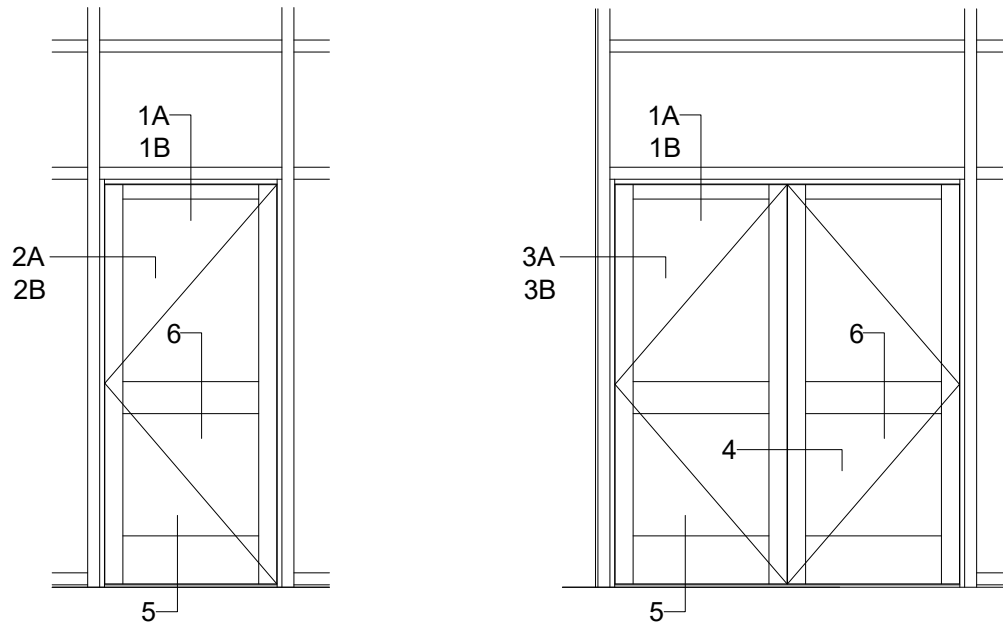
9/16" MONOLITHIC LAMINATED GLAZING IN DOOR,  
1-5/16" INSULATING LAMINATED GLAZING IN FRAME  
NOTE: DRY GLAZED TRANSOM NOT SUPPORTED

<p>1A DOOR HEADER - NO TRANSOM - OVERHEAD SURFACE CLOSER</p>	<p>1B DOOR HEADER - NO TRANSOM - OVERHEAD CONCEALED CLOSER</p>	<p>2A DOOR HEADER W/ TRANSOM - OVERHEAD SURFACE CLOSER</p>	<p>2B DOOR HEADER W/ TRANSOM - OVERHEAD CONCEALED CLOSER</p>
<p>3A TRANSOM HEAD OPTION 1</p>	<p>3B TRANSOM HEAD OPTION 2</p>	<p>4A DOOR JAMB - NO SIDELITE - OFFSET PIVOT OR BUTT HINGE</p>	<p>4B DOOR JAMB - NO SIDELITE - CONTINUOUS GEAR HINGE</p>
<p>5A DOOR JAMB W/ SIDELITE - OFFSET PIVOT OR BUTT HINGE</p>	<p>5B DOOR JAMB W/ SIDELITE - CONTINUOUS GEAR HINGE</p>	<p>6 TRANSOM JAMB</p>	<p>7 TRANSOM SIDELITE</p>
<p>8 TYPICAL BOTTOM RAIL &amp; THRESHOLD</p>	<p>9 MEETING STILES</p>	<p>10 MUNTIN / MID-PANEL OPTIONS</p>	<p>M3 STILE REINFORCEMENT PER HARDWARE REQUIREMENTS</p>
<p>M1 ALTERNATE INVERTED DOOR GLAZING DETAILS FOR MONOLITHIC INFILL ONLY</p>	<p>M2 ALTERNATE TOP &amp; BOTTOM RAILS</p>	<p>10 MUNTIN / MID-PANEL OPTIONS</p>	<p>M3 STILE REINFORCEMENT PER HARDWARE REQUIREMENTS</p>

NOTES:  
• D-8, D-21 & D-38 ARE APPROVED FOR USE AS TOP RAILS  
• D-2, D-21, D-61 & D-71 ARE APPROVED FOR USE AS BOTTOM RAILS

# MSD-375 StormMax® Medium Stile Hurricane-Resistant Entrance

## HR-250 StormMax® Curtain Wall Framing - D5504



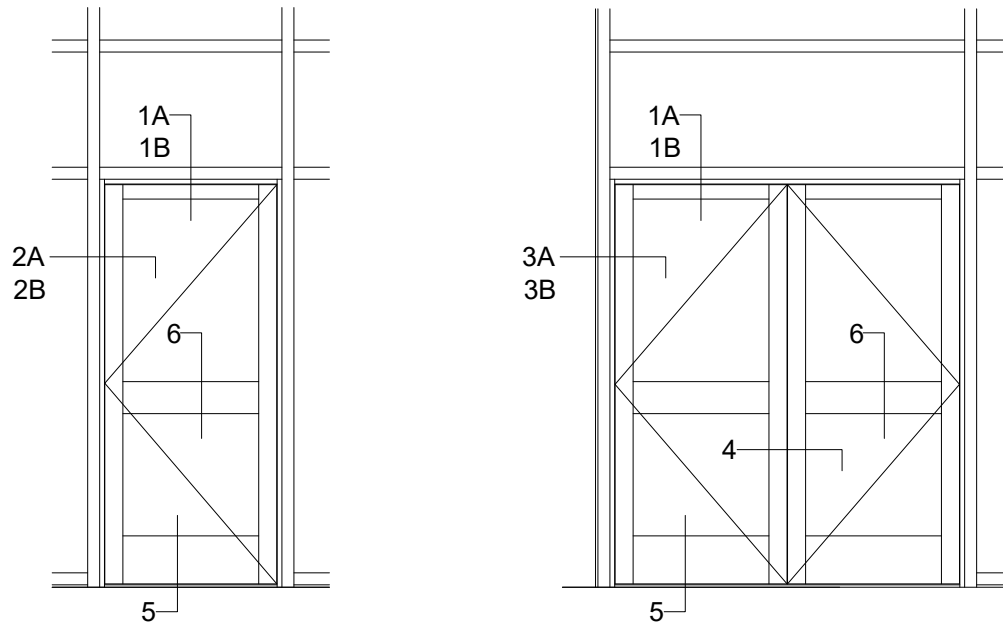
9/16" MONOLITHIC LAMINATED GLAZING IN DOOR,  
9/16" MONOLITHIC LAMINATED GLAZING IN FRAME

<p><b>1A</b> DOOR HEADER - OVERHEAD SURFACE CLOSER</p>	<p><b>1B</b> DOOR HEADER - OVERHEAD CONCEALED CLOSER</p>	<p><b>2A</b> DOOR JAMB - OFFSET PIVOT OR BUTT HINGE</p>	
<p><b>2B</b> DOOR JAMB - CONTINUOUS GEAR HINGE</p>	<p><b>3A</b> DOOR JAMB @ PERIMETER - OFFSET PIVOT OR BUTT HINGE</p>		
<p><b>3B</b> DOOR JAMB @ PERIMETER - CONTINUOUS GEAR HINGE</p>	<p><b>4</b> MEETING STILES</p>	<p><b>5</b> TYPICAL BOTTOM RAIL &amp; THRESHOLD</p>	
<p><b>M1</b> ALTERNATE INVERTED DOOR GLAZING DETAILS</p>	<p><b>M2</b> ALTERNATE TOP &amp; BOTTOM RAILS</p>	<p><b>6</b> MUNTIN / MID-PANEL OPTIONS</p>	<p><b>M3</b> STILE REINFORCEMENT PER HARDWARE REQUIREMENTS</p>

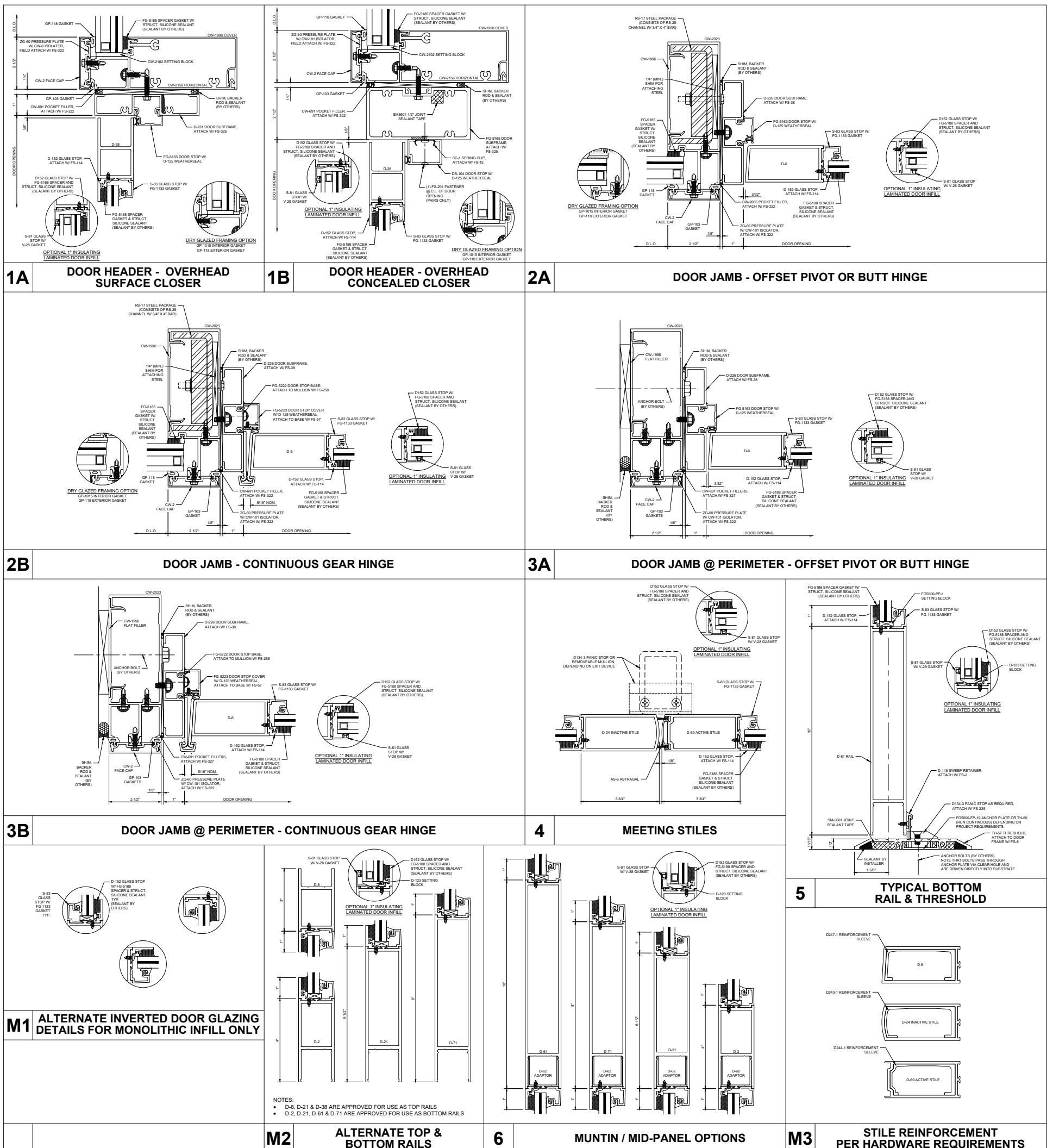
NOTES:  
 • D-2, D-8, D-21 & D-38 ARE APPROVED FOR USE AS TOP RAILS  
 • D-2, D-21, D-61 & D-71 ARE APPROVED FOR USE AS BOTTOM RAILS

# MSD-375 StormMax® Medium Stile Hurricane-Resistant Entrance

## HR-251 StormMax® Curtain Wall Framing - D5505



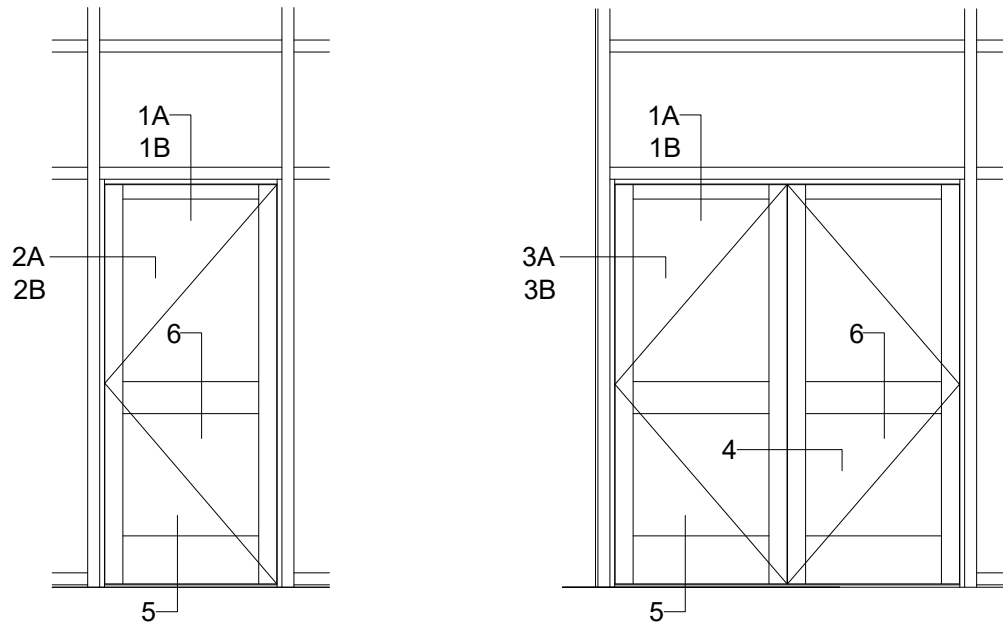
9/16" MONOLITHIC LAMINATED GLAZING IN DOOR,  
1-5/16" INSULATING LAMINATED GLAZING IN FRAME



NOTES:  
 • D-8, D-21 & D-38 ARE APPROVED FOR USE AS TOP RAILS  
 • D-2, D-21, D-61 & D-71 ARE APPROVED FOR USE AS BOTTOM RAILS

# MSD-375 StormMax® Medium Stile Hurricane-Resistant Entrance

## Reliance™ StormMax® Curtain Wall Framing - D5506



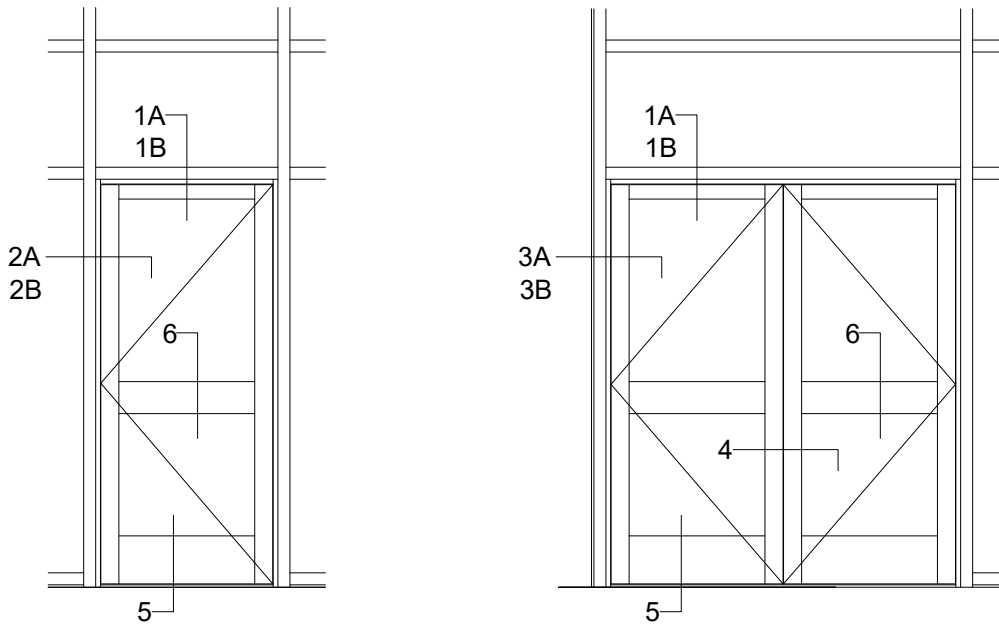
9/16" MONOLITHIC LAMINATED GLAZING IN DOOR,  
1-5/16" INSULATING LAMINATED GLAZING IN FRAME

<p><b>1A DOOR HEADER - OVERHEAD SURFACE CLOSER</b></p>	<p><b>1B DOOR HEADER - OVERHEAD CONCEALED CLOSER</b></p>	<p><b>2A DOOR JAMB - OFFSET PIVOT OR BUTT HINGE</b></p>
<p><b>2B DOOR JAMB - CONTINUOUS GEAR HINGE</b></p>	<p><b>3A DOOR JAMB @ PERIMETER - OFFSET PIVOT OR BUTT HINGE</b></p>	<p><b>3B DOOR JAMB @ PERIMETER - CONTINUOUS GEAR HINGE</b></p>
<p><b>M1 ALTERNATE INVERTED DOOR GLAZING DETAILS FOR MONOLITHIC INFILL ONLY</b></p>	<p><b>4 MEETING STILES</b></p>	<p><b>5 TYPICAL BOTTOM RAIL &amp; THRESHOLD</b></p>
<p><b>M2 ALTERNATE TOP &amp; BOTTOM RAILS</b></p>	<p><b>6 MUNTIN / MID-PANEL OPTIONS</b></p>	<p><b>M3 STILE REINFORCEMENT PER HARDWARE REQUIREMENTS</b></p>

NOTES:  
 • D-2, D-3, D-21 & D-38 ARE APPROVED FOR USE AS TOP RAILS  
 • D-2, D-21, D-61 & D-71 ARE APPROVED FOR USE AS BOTTOM RAILS

# MSD-375 StormMax® Medium Stile Hurricane-Resistant Entrance

## Reliance™ StormMax® High Performance Curtain Wall Framing - D5507



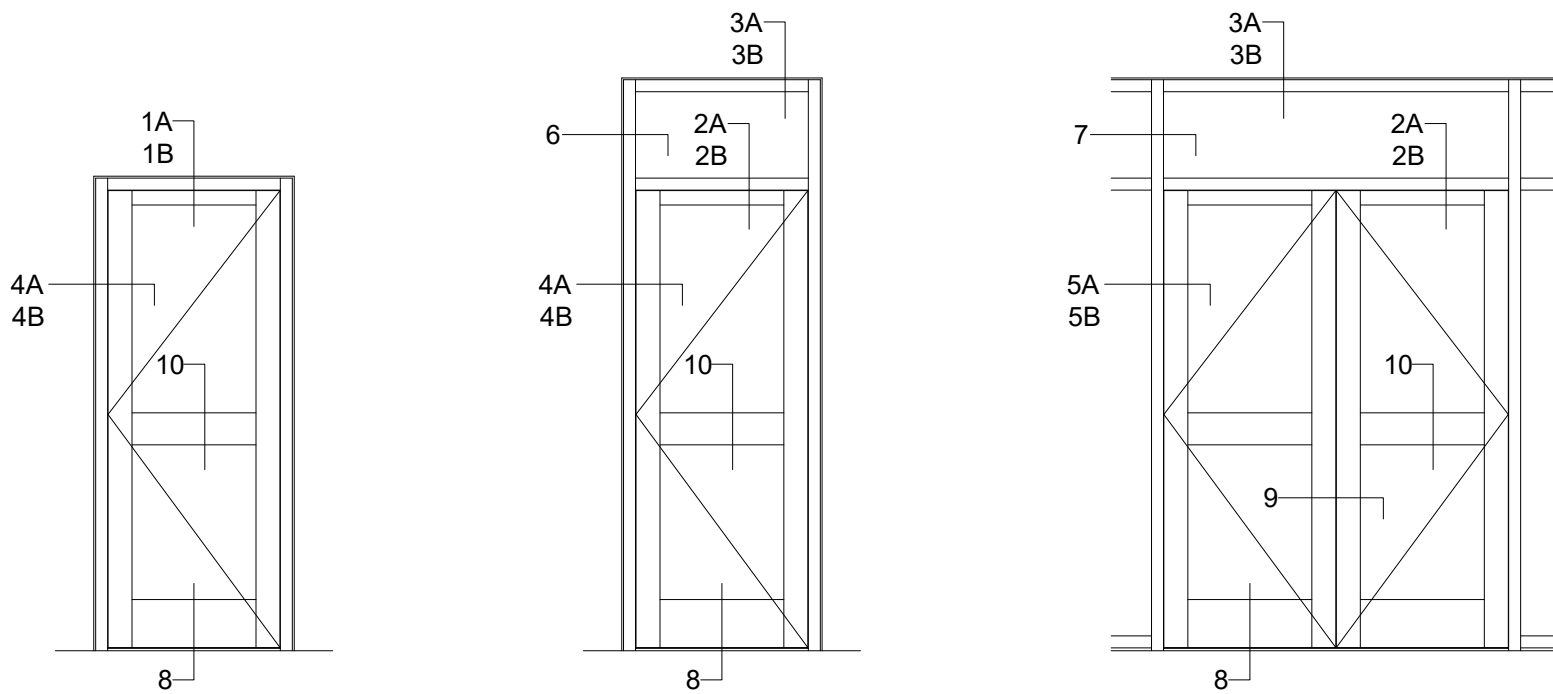
9/16" MONOLITHIC LAMINATED GLAZING IN DOOR,  
1-5/16" INSULATING LAMINATED GLAZING IN FRAME

<p><b>1A</b> DOOR HEADER - OVERHEAD SURFACE CLOSER</p>	<p><b>1B</b> DOOR HEADER - OVERHEAD CONCEALED CLOSER</p>	<p><b>2A</b> DOOR JAMB - OFFSET PIVOT OR BUTT HINGE</p>
<p><b>2B</b> DOOR JAMB - CONTINUOUS GEAR HINGE</p>	<p><b>3A</b> DOOR JAMB @ PERIMETER - OFFSET PIVOT OR BUTT HINGE</p>	<p><b>3B</b> DOOR JAMB @ PERIMETER - CONTINUOUS GEAR HINGE</p>
<p><b>M1</b> ALTERNATE INVERTED DOOR GLAZING DETAILS FOR MONOLITHIC INFILL ONLY</p>	<p><b>M2</b> ALTERNATE TOP &amp; BOTTOM RAILS</p>	<p><b>6</b> MUNTIN / MID-PANEL OPTIONS</p>
<p><b>M3</b> STILE REINFORCEMENT PER HARDWARE REQUIREMENTS</p>	<p><b>5</b> TYPICAL BOTTOM RAIL &amp; THRESHOLD</p>	<p><b>M3</b> STILE REINFORCEMENT PER HARDWARE REQUIREMENTS</p>



# WSD-500 StormMax® Wide Stile Hurricane-Resistant Entrance

## FG-5700 StormMax® Storefront Framing - D5521

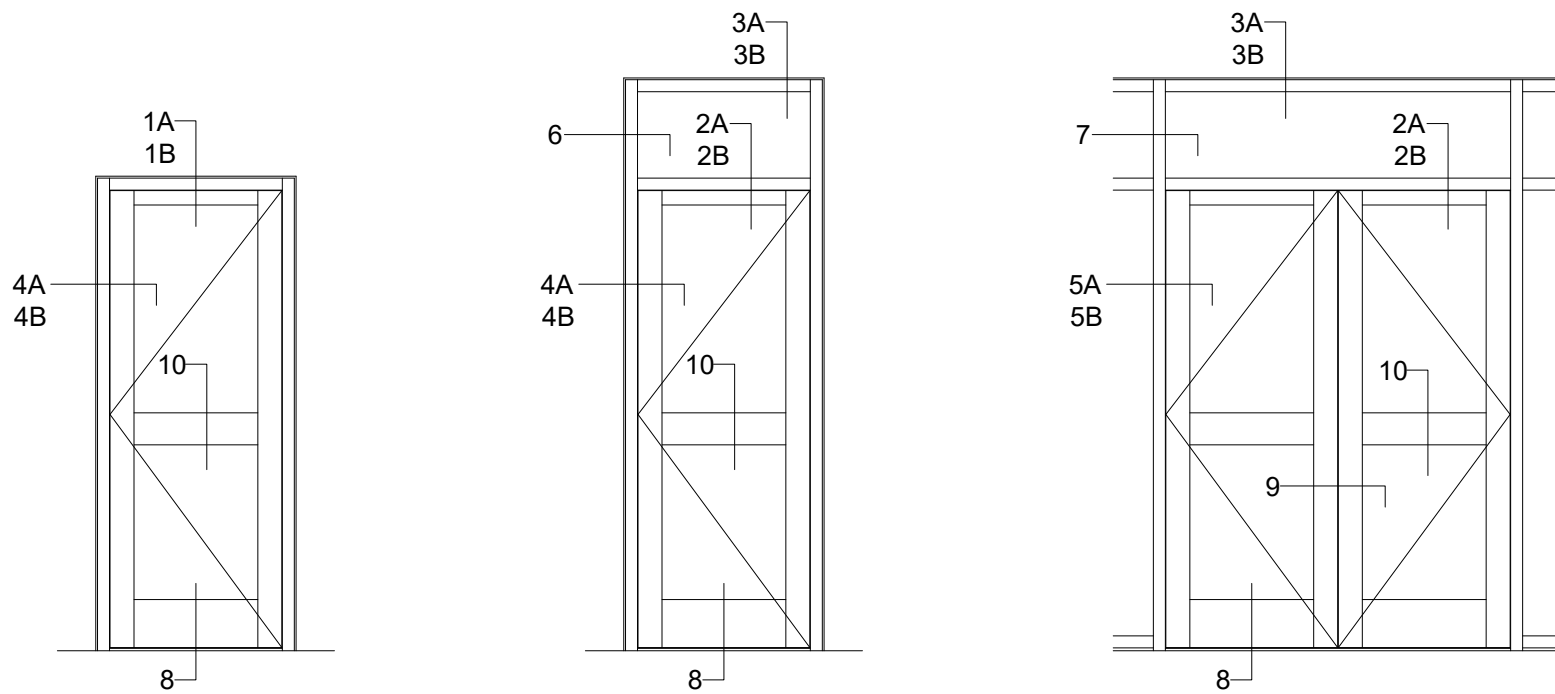


9/16" MONOLITHIC LAMINATED GLAZING IN DOOR,  
9/16" MONOLITHIC LAMINATED GLAZING IN FRAME  
NOTE: DRY GLAZED TRANSOM NOT SUPPORTED

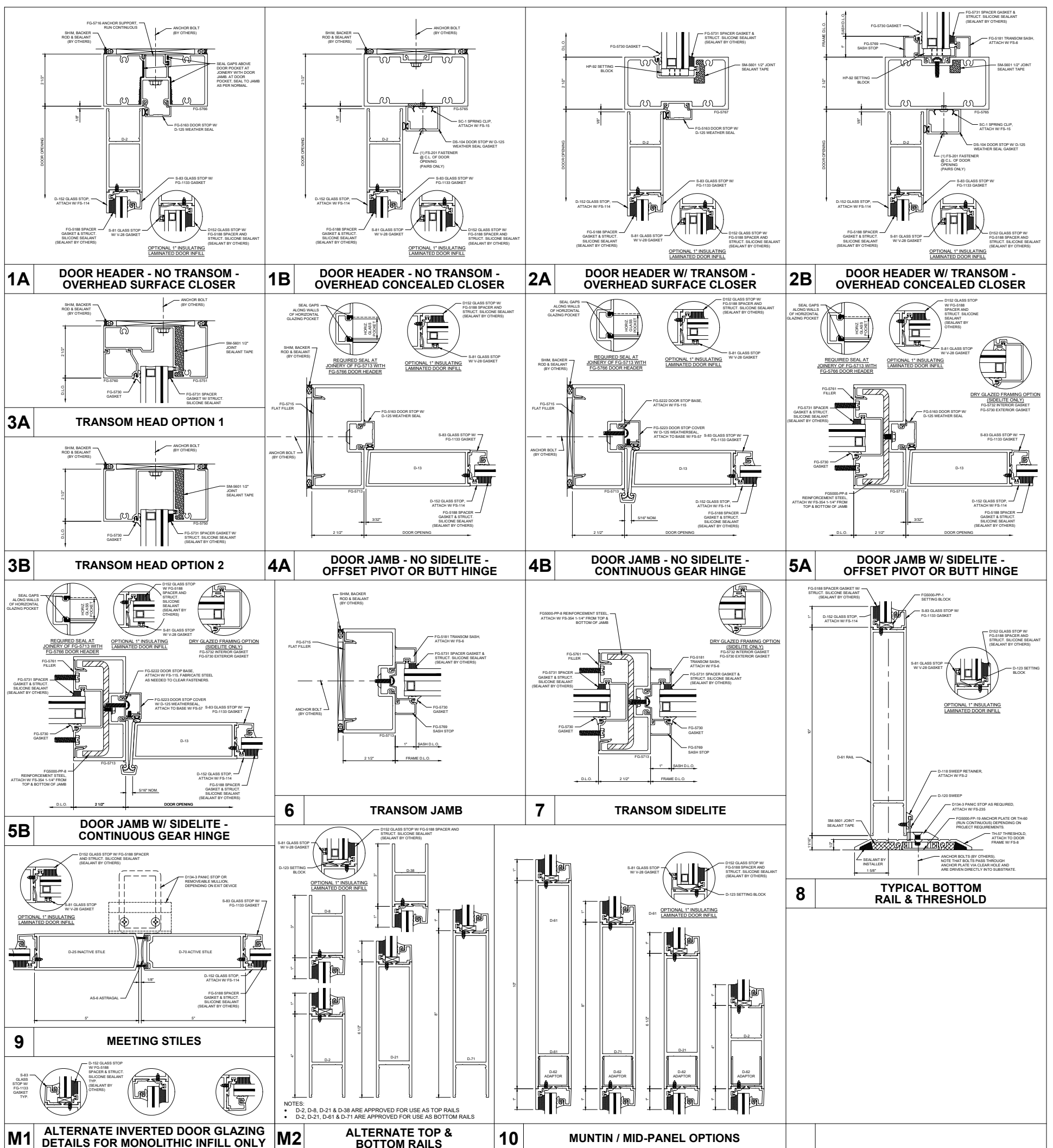
<p><b>1A DOOR HEADER - NO TRANSOM - OVERHEAD SURFACE CLOSER</b></p>	<p><b>1B DOOR HEADER - NO TRANSOM - OVERHEAD CONCEALED CLOSER</b></p>	<p><b>2A DOOR HEADER W/ TRANSOM - OVERHEAD SURFACE CLOSER</b></p>	<p><b>2B DOOR HEADER W/ TRANSOM - OVERHEAD CONCEALED CLOSER</b></p>
<p><b>3A TRANSOM HEAD OPTION 1</b></p>	<p><b>4A DOOR JAMB - NO SIDELITE - OFFSET PIVOT OR BUTT HINGE</b></p>		
<p><b>3B TRANSOM HEAD OPTION 2</b></p>	<p><b>4B DOOR JAMB - NO SIDELITE - CONTINUOUS GEAR HINGE</b></p>	<p><b>5A DOOR JAMB W/ SIDELITE - OFFSET PIVOT OR BUTT HINGE</b></p>	
<p><b>5B DOOR JAMB W/ SIDELITE - CONTINUOUS GEAR HINGE</b></p>	<p><b>6 TRANSOM JAMB</b></p>	<p><b>7 TRANSOM SIDELITE</b></p>	
<p><b>9 MEETING STILES</b></p>	<p><b>6 TRANSOM JAMB</b></p>	<p><b>7 TRANSOM SIDELITE</b></p>	
<p><b>M1 ALTERNATE INVERTED DOOR GLAZING DETAILS</b></p>	<p><b>M2 ALTERNATE TOP &amp; BOTTOM RAILS</b></p>	<p><b>8 TYPICAL BOTTOM RAIL &amp; THRESHOLD</b></p>	
<p><b>9 MEETING STILES</b></p>		<p><b>10 MUNTIN / MID-PANEL OPTIONS</b></p>	

# WSD-500 StormMax® Wide Stile Hurricane-Resistant Entrance

## FG-5750 StormMax® Storefront Framing - D5522

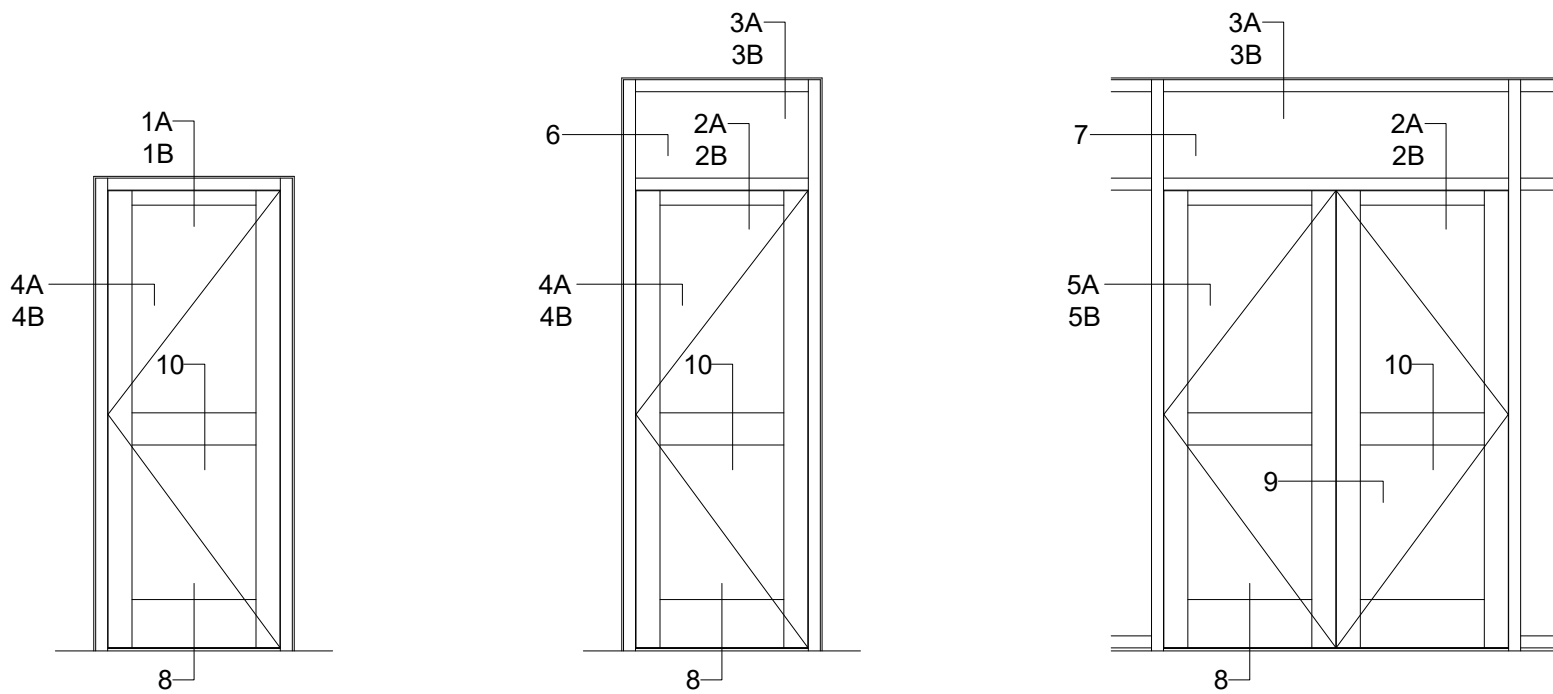


9/16" MONOLITHIC LAMINATED GLAZING IN DOOR,  
1-5/16" INSULATING LAMINATED GLAZING IN FRAME  
NOTE: DRY GLAZED TRANSOM NOT SUPPORTED



# WSD-500 StormMax® Wide Stile Hurricane-Resistant Entrance

## FG-5750T StormMax® Storefront Framing - D5523



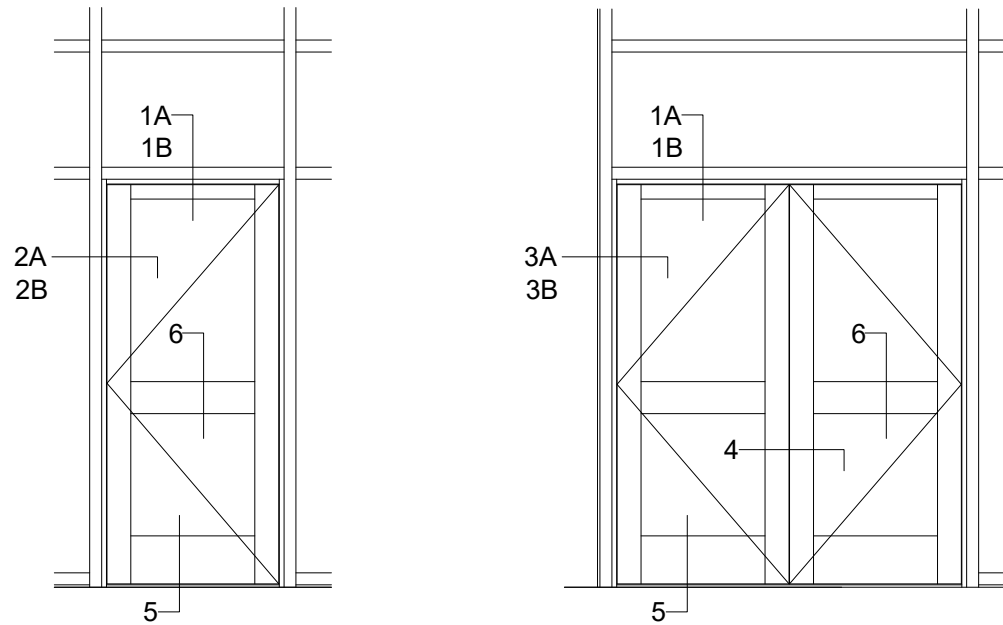
**9/16" MONOLITHIC LAMINATED GLAZING IN DOOR,  
1-5/16" INSULATING LAMINATED GLAZING IN FRAME**  
NOTE: DRY GLAZED TRANSOM NOT SUPPORTED

<p><b>1A DOOR HEADER - NO TRANSOM - OVERHEAD SURFACE CLOSER</b></p>	<p><b>1B DOOR HEADER - NO TRANSOM - OVERHEAD CONCEALED CLOSER</b></p>	<p><b>2A DOOR HEADER W/ TRANSOM - OVERHEAD SURFACE CLOSER</b></p>	<p><b>2B DOOR HEADER W/ TRANSOM - OVERHEAD CONCEALED CLOSER</b></p>
<p><b>3A TRANSOM HEAD OPTION 1</b></p>	<p><b>3B TRANSOM HEAD OPTION 2</b></p>	<p><b>4A DOOR JAMB - NO SIDELITE - OFFSET PIVOT OR BUTT HINGE</b></p>	<p><b>4B DOOR JAMB - NO SIDELITE - CONTINUOUS GEAR HINGE</b></p>
<p><b>5A DOOR JAMB W/ SIDELITE - OFFSET PIVOT OR BUTT HINGE</b></p>	<p><b>5B DOOR JAMB W/ SIDELITE - CONTINUOUS GEAR HINGE</b></p>	<p><b>6 TRANSOM JAMB</b></p>	<p><b>7 TRANSOM SIDELITE</b></p>
<p><b>8 TYPICAL BOTTOM RAIL &amp; THRESHOLD</b></p>	<p><b>9 MEETING STILES</b></p>	<p><b>10 MUNTIN / MID-PANEL OPTIONS</b></p>	<p><b>M1 ALTERNATE INVERTED DOOR GLAZING DETAILS FOR MONOLITHIC INFILL ONLY</b></p>
<p><b>M2 ALTERNATE TOP &amp; BOTTOM RAILS</b></p>	<p><b>10 MUNTIN / MID-PANEL OPTIONS</b></p>	<p><b>10 MUNTIN / MID-PANEL OPTIONS</b></p>	<p><b>10 MUNTIN / MID-PANEL OPTIONS</b></p>

NOTES:  
• D-2, D-8, D-21 & D-38 ARE APPROVED FOR USE AS TOP RAILS  
• D-2, D-21, D-61 & D-71 ARE APPROVED FOR USE AS BOTTOM RAILS

# WSD-500 StormMax® Wide Stile Hurricane-Resistant Entrance

## HR-250 StormMax® Curtain Wall Framing - D5524



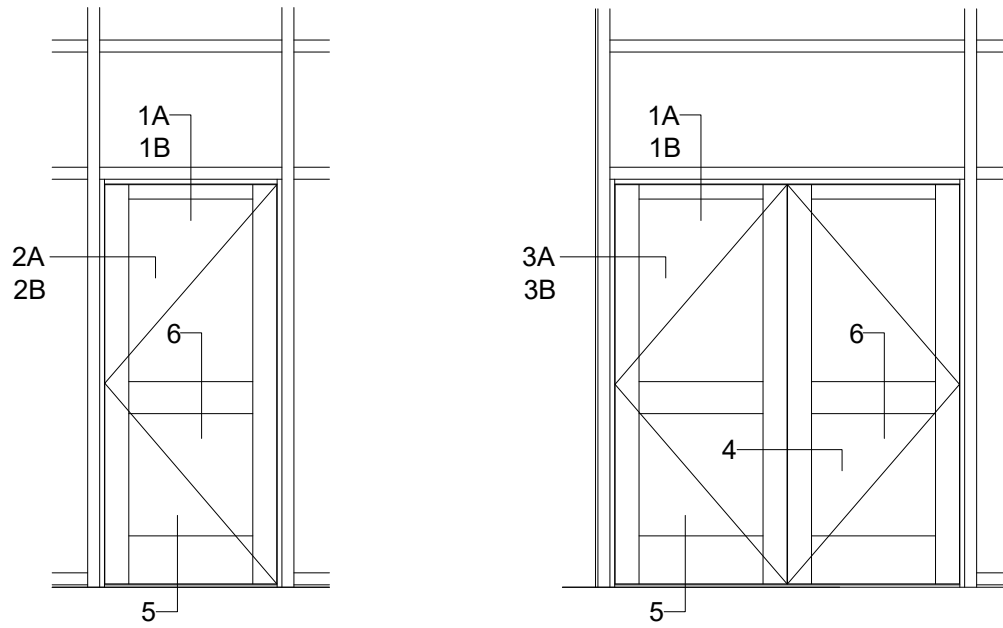
9/16" MONOLITHIC LAMINATED GLAZING IN DOOR,  
9/16" MONOLITHIC LAMINATED GLAZING IN FRAME

<p><b>1A</b> DOOR HEADER - OVERHEAD SURFACE CLOSER</p>	<p><b>1B</b> DOOR HEADER - OVERHEAD CONCEALED CLOSER</p>	<p><b>2A</b> DOOR JAMB - OFFSET PIVOT OR BUTT HINGE</p>
<p><b>2B</b> DOOR JAMB - CONTINUOUS GEAR HINGE</p>	<p><b>3A</b> DOOR JAMB @ PERIMETER - OFFSET PIVOT OR BUTT HINGE</p>	
<p><b>3B</b> DOOR JAMB @ PERIMETER - CONTINUOUS GEAR HINGE</p>	<p><b>4</b> MEETING STILES</p>	
<p><b>M1</b> ALTERNATE INVERTED DOOR GLAZING DETAILS</p>	<p><b>M2</b> ALTERNATE TOP &amp; BOTTOM RAILS</p>	<p><b>5</b> TYPICAL BOTTOM RAIL &amp; THRESHOLD</p>
<p><b>6</b> MUNTIN / MID-PANEL OPTIONS</p>		

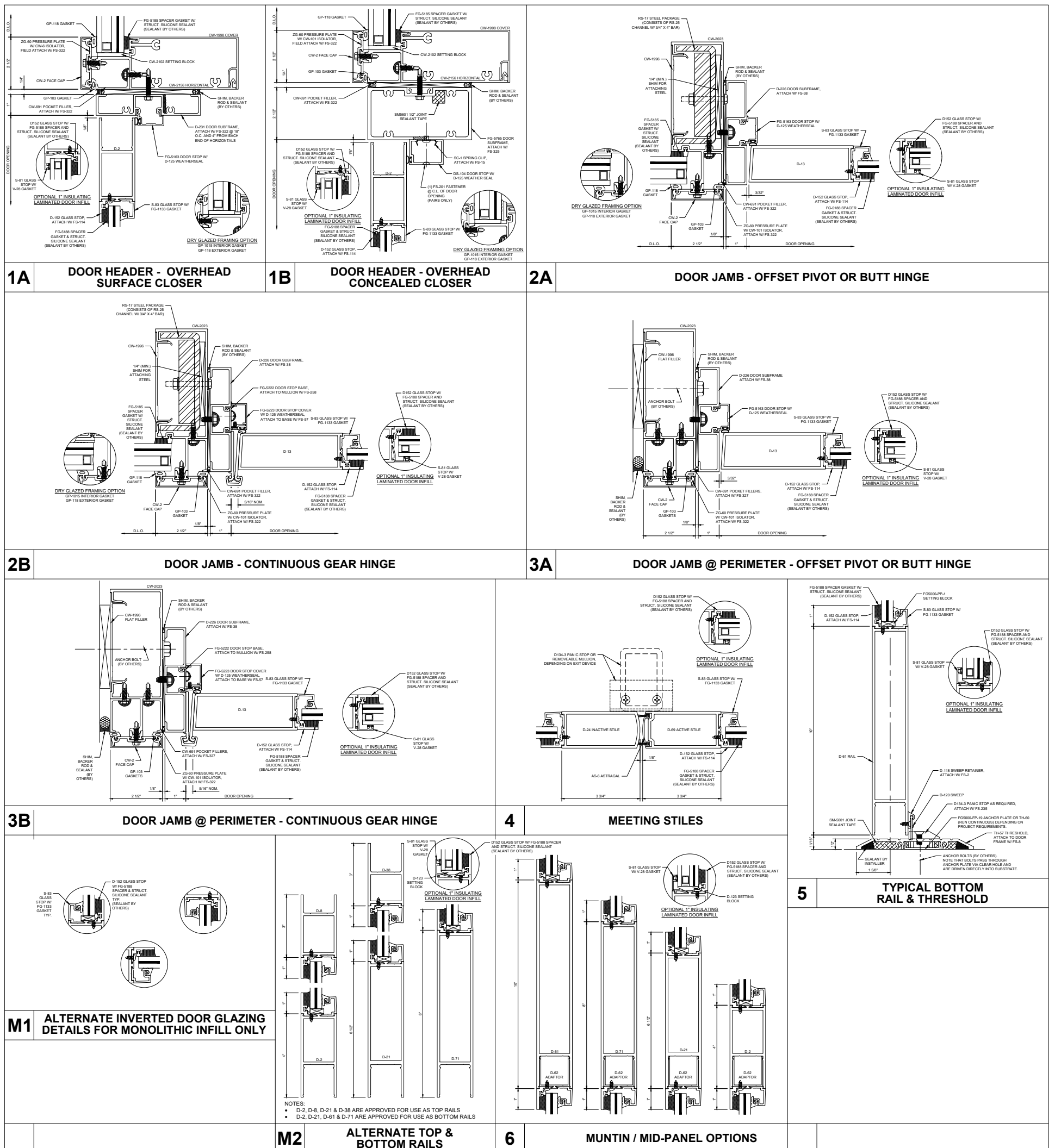
NOTES:  
 • D-2, D-8, D-21 & D-38 ARE APPROVED FOR USE AS TOP RAILS  
 • D-2, D-21, D-61 & D-71 ARE APPROVED FOR USE AS BOTTOM RAILS

# WSD-500 StormMax® Wide Stile Hurricane-Resistant Entrance

## HR-251 StormMax® Curtain Wall Framing - D5525

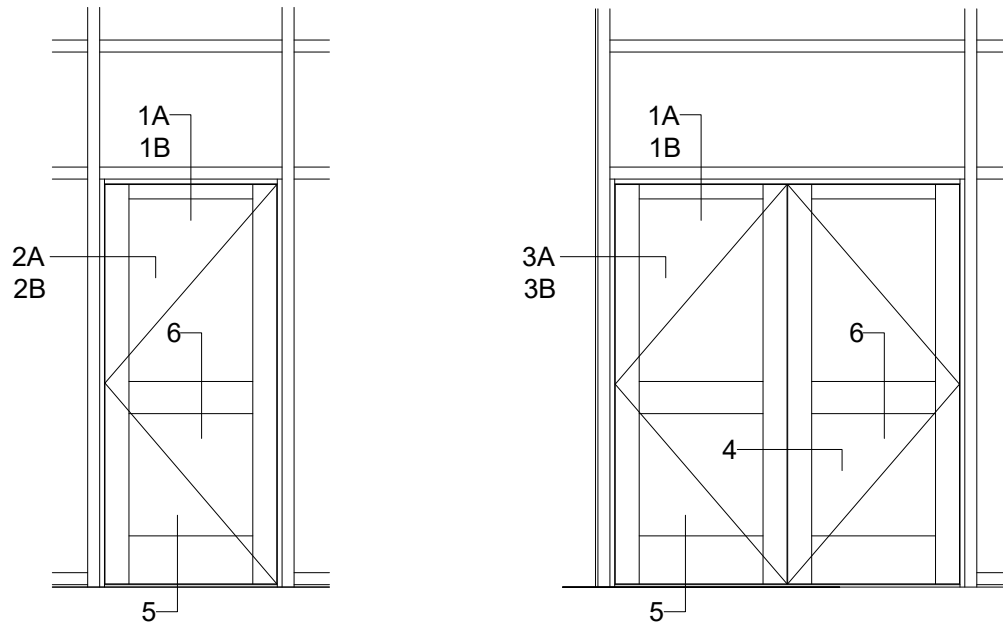


9/16" MONOLITHIC LAMINATED GLAZING IN DOOR,  
1-5/16" INSULATING LAMINATED GLAZING IN FRAME

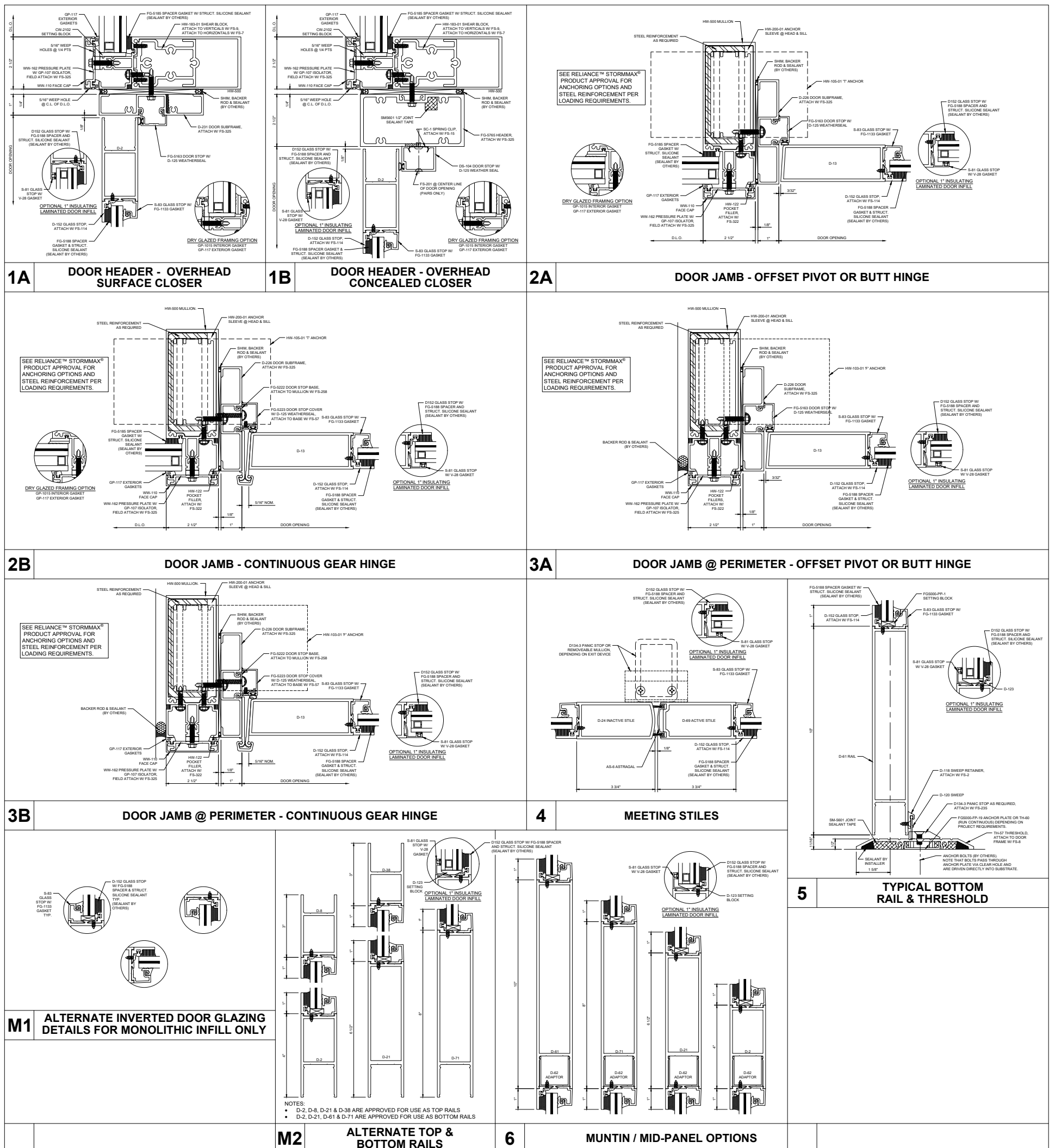


# WSD-500 StormMax® Wide Stile Hurricane-Resistant Entrance

## Reliance™ StormMax® Curtain Wall Framing - D5526

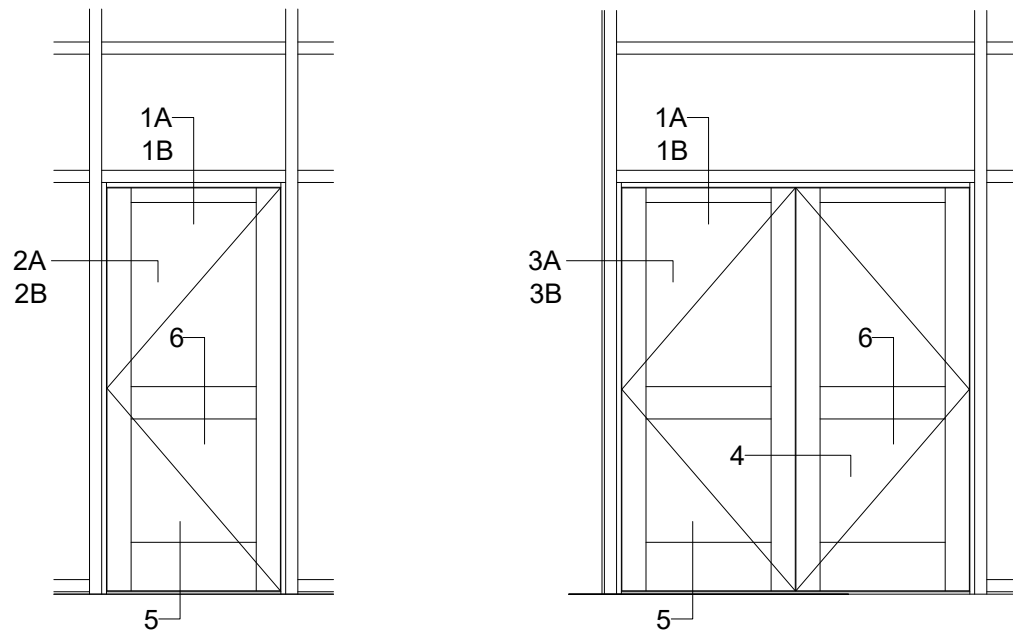


9/16" MONOLITHIC LAMINATED GLAZING IN DOOR,  
1-5/16" INSULATING LAMINATED GLAZING IN FRAME



# WSD-500 StormMax® Wide Stile Hurricane-Resistant Entrance

## Reliance™ StormMax® High Performance Curtain Wall Framing - D5527



9/16" MONOLITHIC LAMINATED GLAZING IN DOOR,  
1-5/16" INSULATING LAMINATED GLAZING IN FRAME

<p><b>1A</b> DOOR HEADER - OVERHEAD SURFACE CLOSER</p>	<p><b>1B</b> DOOR HEADER - OVERHEAD CONCEALED CLOSER</p>	<p><b>2A</b> DOOR JAMB - OFFSET PIVOT OR BUTT HINGE</p>
<p><b>2B</b> DOOR JAMB - CONTINUOUS GEAR HINGE</p>	<p><b>3A</b> DOOR JAMB @ PERIMETER - OFFSET PIVOT OR BUTT HINGE</p>	
		<p><b>5</b> TYPICAL BOTTOM RAIL &amp; THRESHOLD</p>
<p><b>M1</b> ALTERNATE INVERTED DOOR GLAZING DETAILS FOR MONOLITHIC INFILL ONLY</p>	<p><b>M2</b> ALTERNATE TOP &amp; BOTTOM RAILS</p>	<p><b>6</b> MUNTIN / MID-PANEL OPTIONS</p>