

Oldcastle BuildingEnvelope®

1-866-Oldcastle (653-2278) - www.obe.com

SERIES 6000 THERMAL MULTIPLANE STOREFRONT 2" x 6" w/ 1" TYPICAL INFILL / FRONT SET

(Drawing numbers---i.e., H9201---used as CAD detail reference only)

Elevation

Horizontal Details

H9201	Intermediate Horizontal - Outside Glazed
H9202	Head - Outside Glazed
H9208	Sill - Typical
H9209	Sill - Low Profile 8 p.s.f. Water
H9210	Sill - High Performance
H9219	Horizontal at Operable Window
H9221	Intermediate Horizontal - Inside Glazed
H9222	Head - Inside Glazed

Vertical Details

V9202	Jamb
V9205	Heavy Vertical
V9206	Typical Vertical
V9207	Expansion Vertical
V9245	Vertical at Operable Window

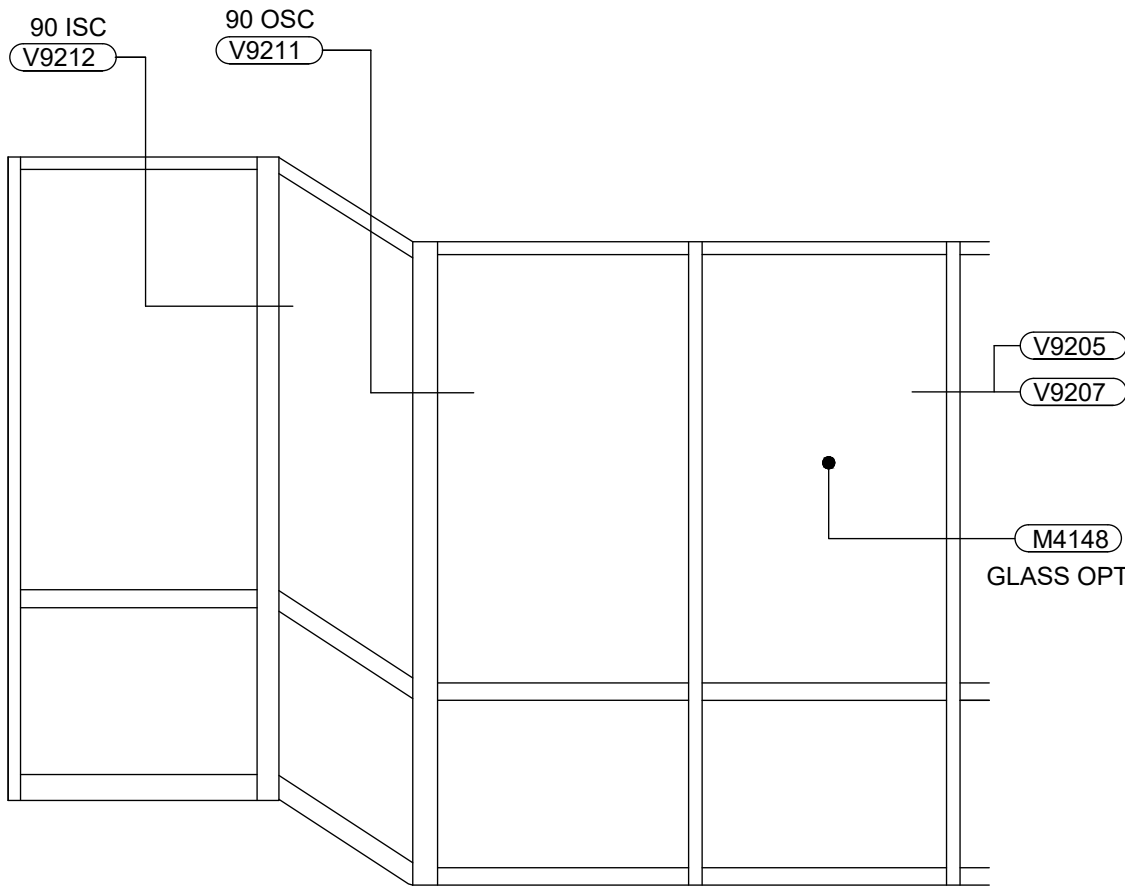
Corner Details

V9211	90° Outside Corner
V9212	90° Inside Corner

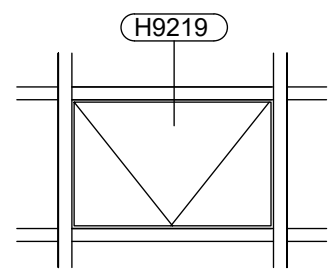
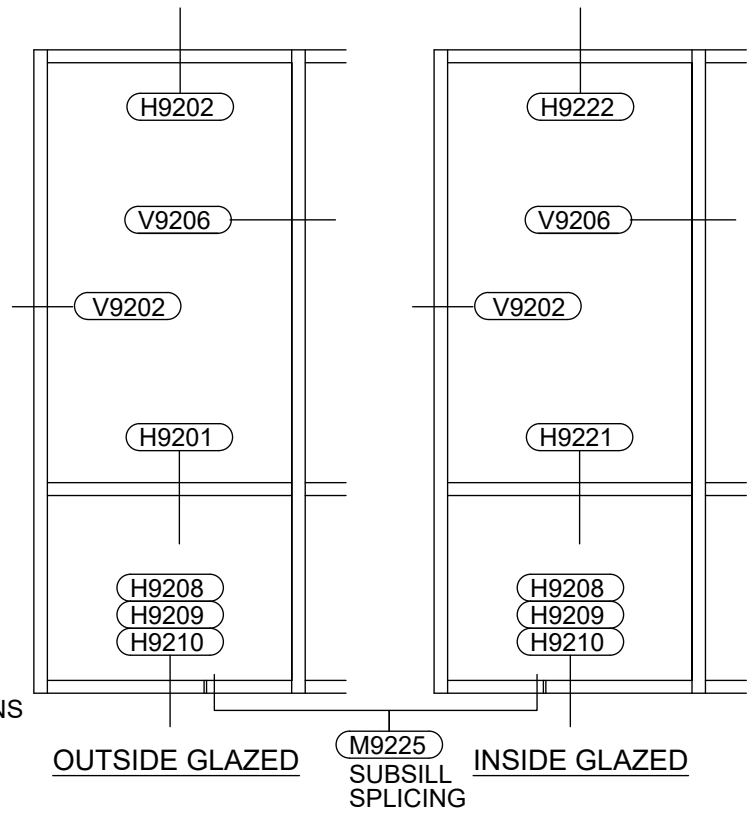
Misc. Details

M4148	Glass Options
M9225	Subsill Splicing and End Dam Info

Table of Contents

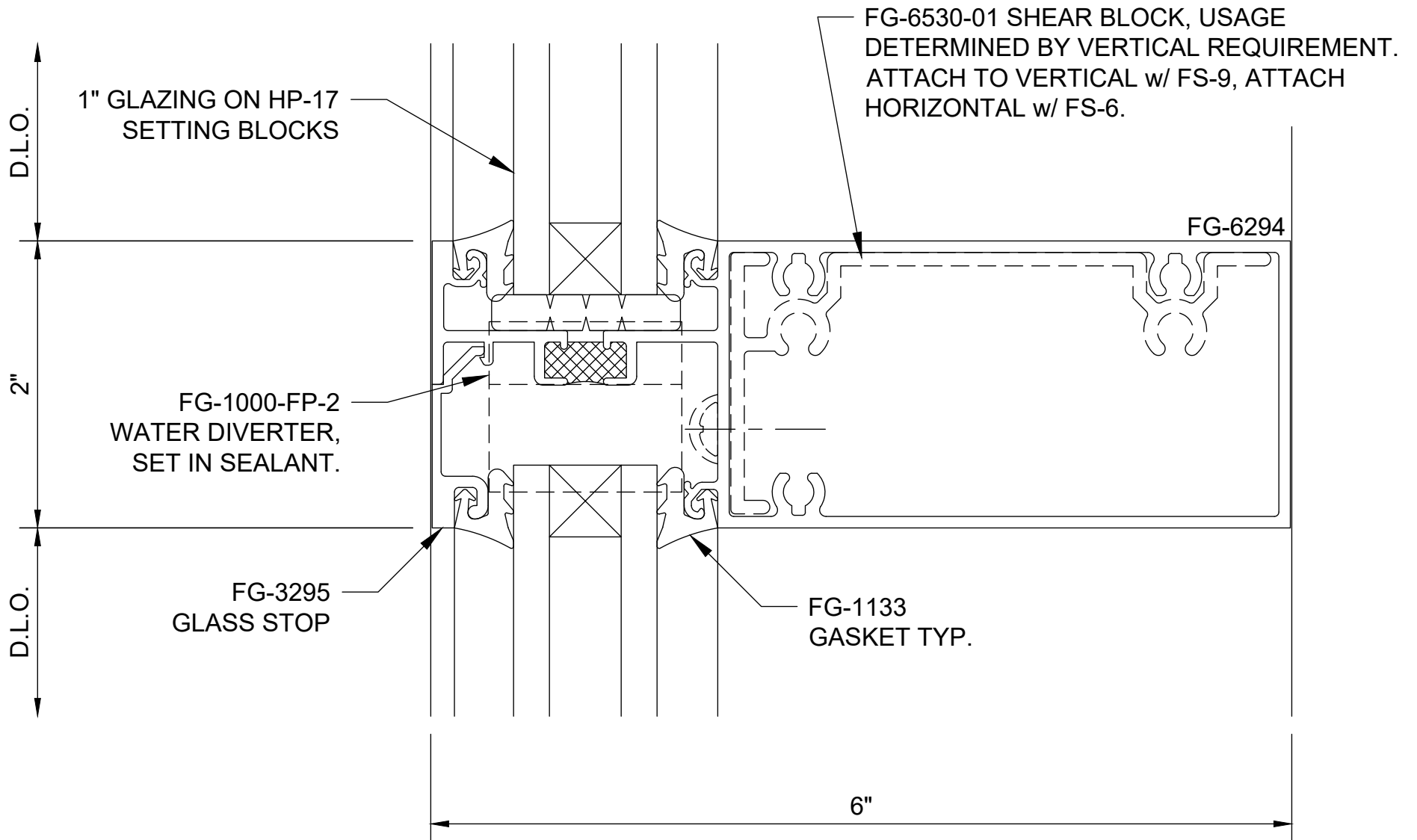


OPTIONAL DETAILS

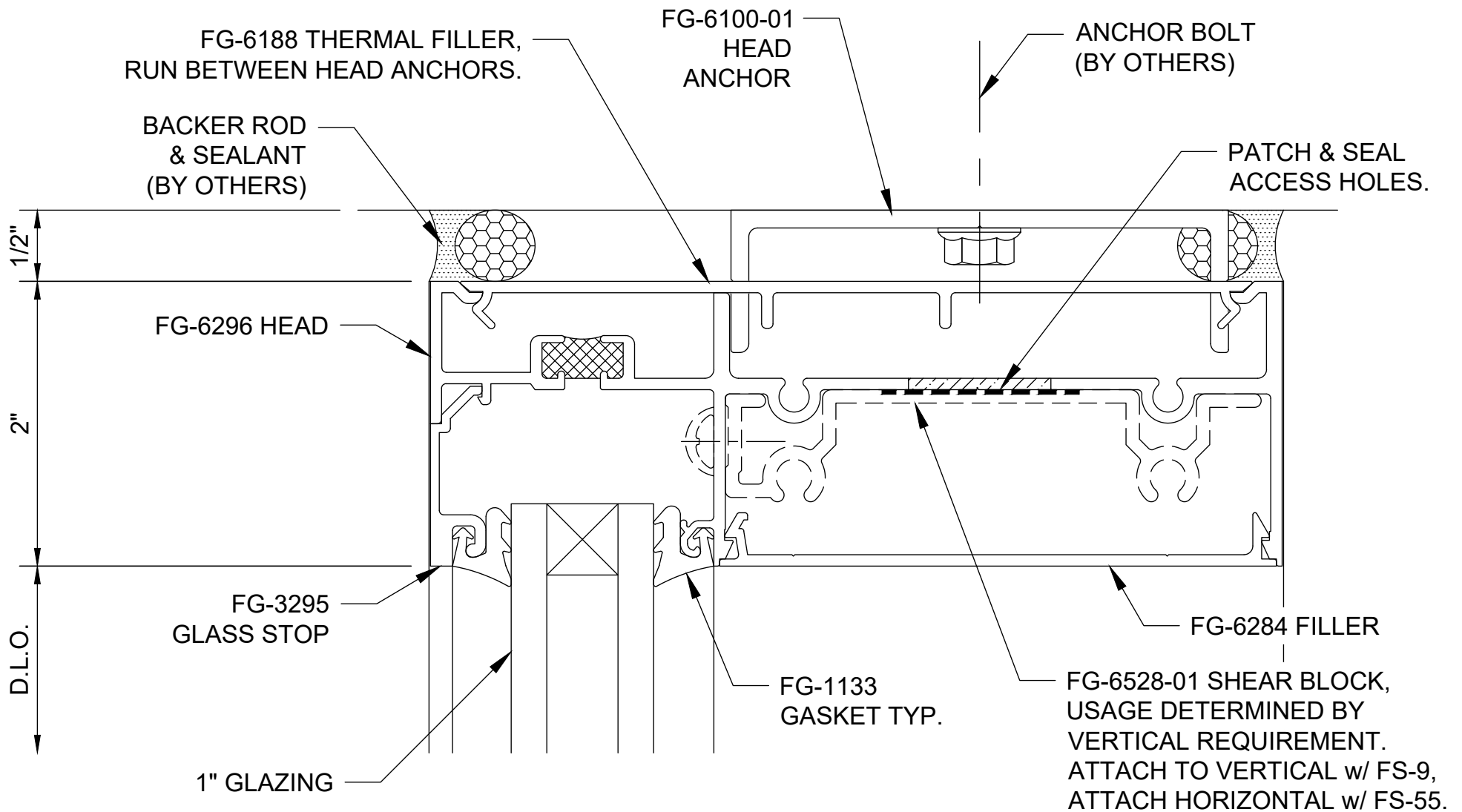


OPERABLE WINDOW

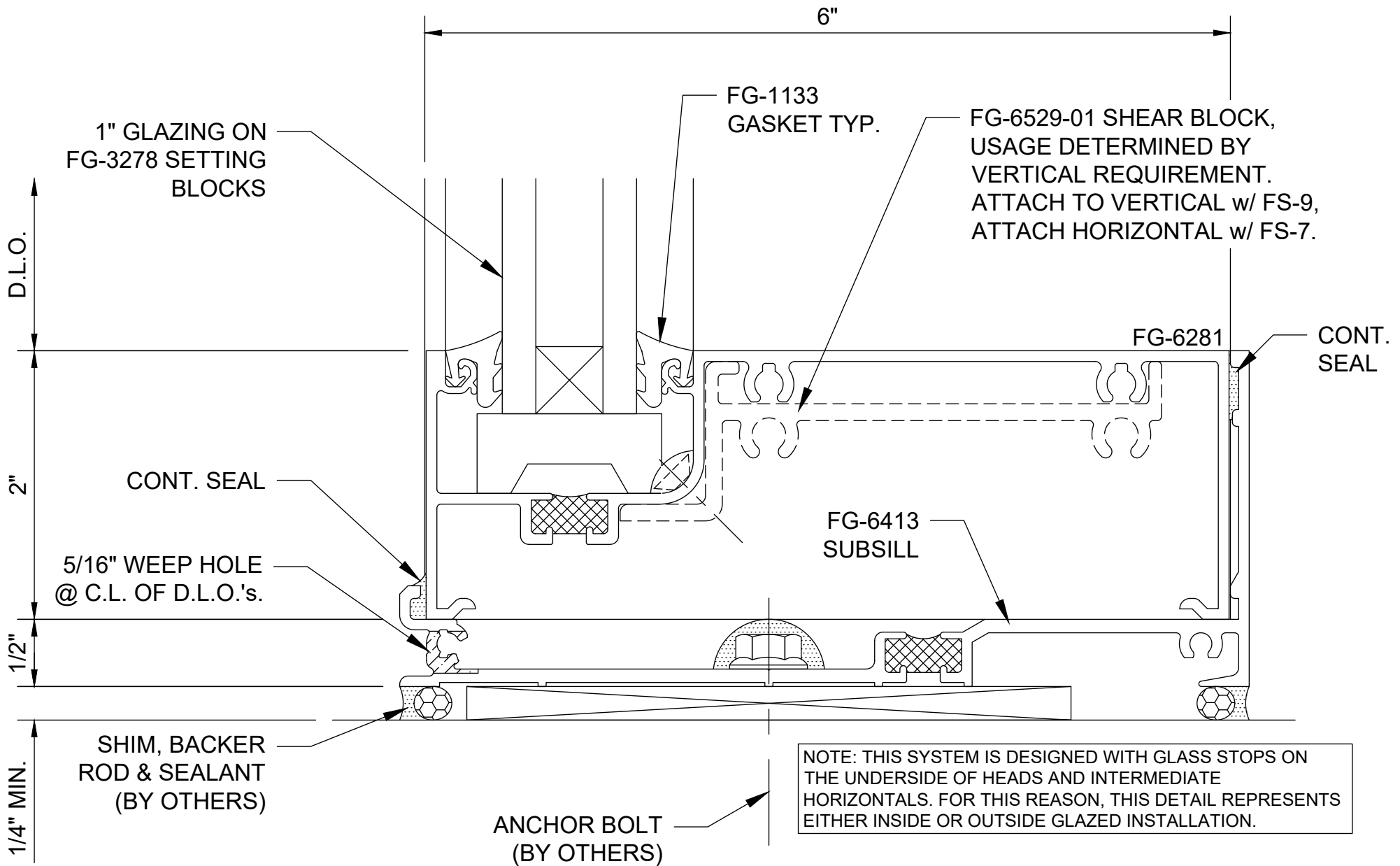
**Series 6000 Thermal MultiPlane - Front Set
2" x 6" Storefront w/ 1" Typical Infill - Elevation**



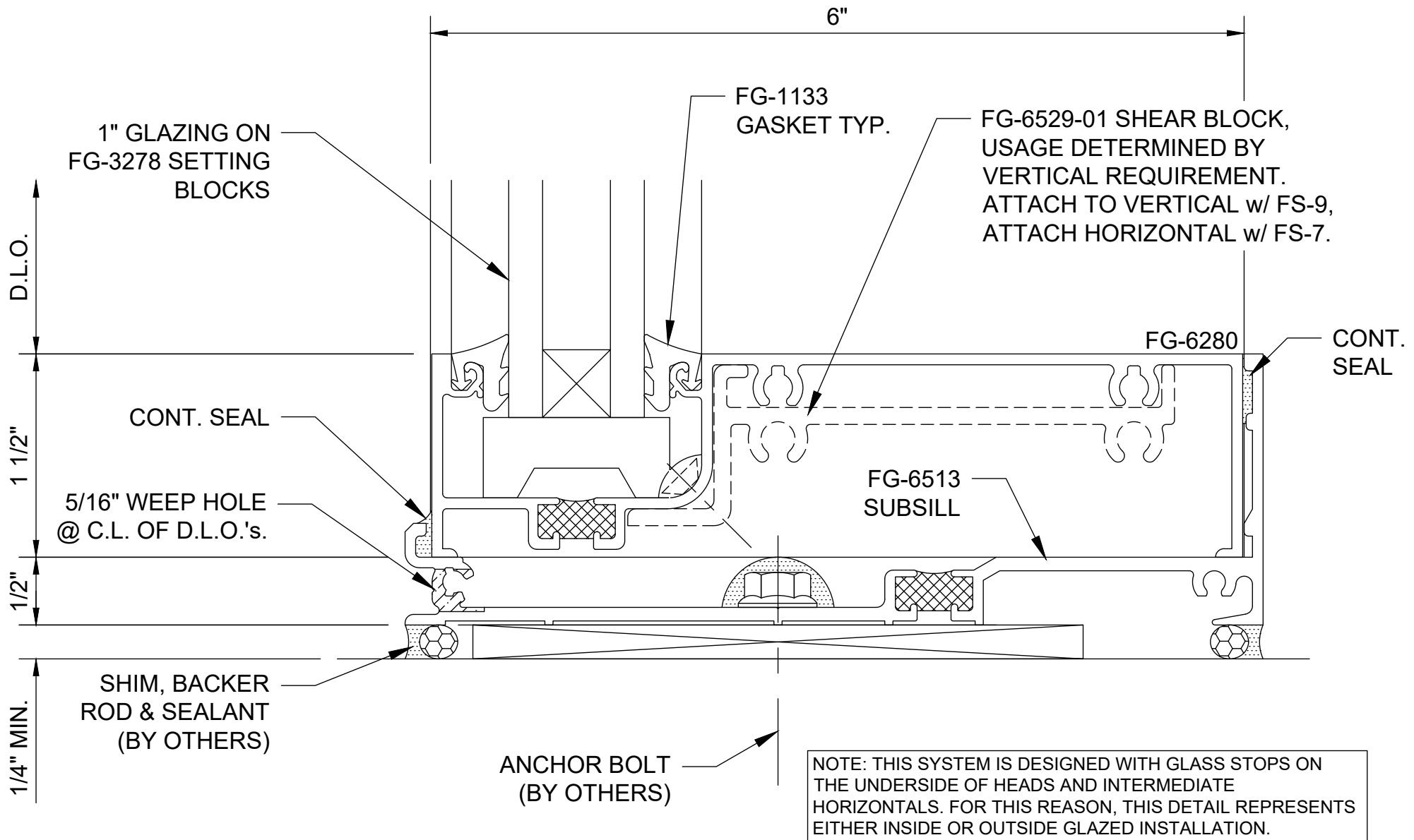
Series 6000 Thermal MultiPlane - Front Set
Intermediate Horizontal - Outside Glazed - H9201



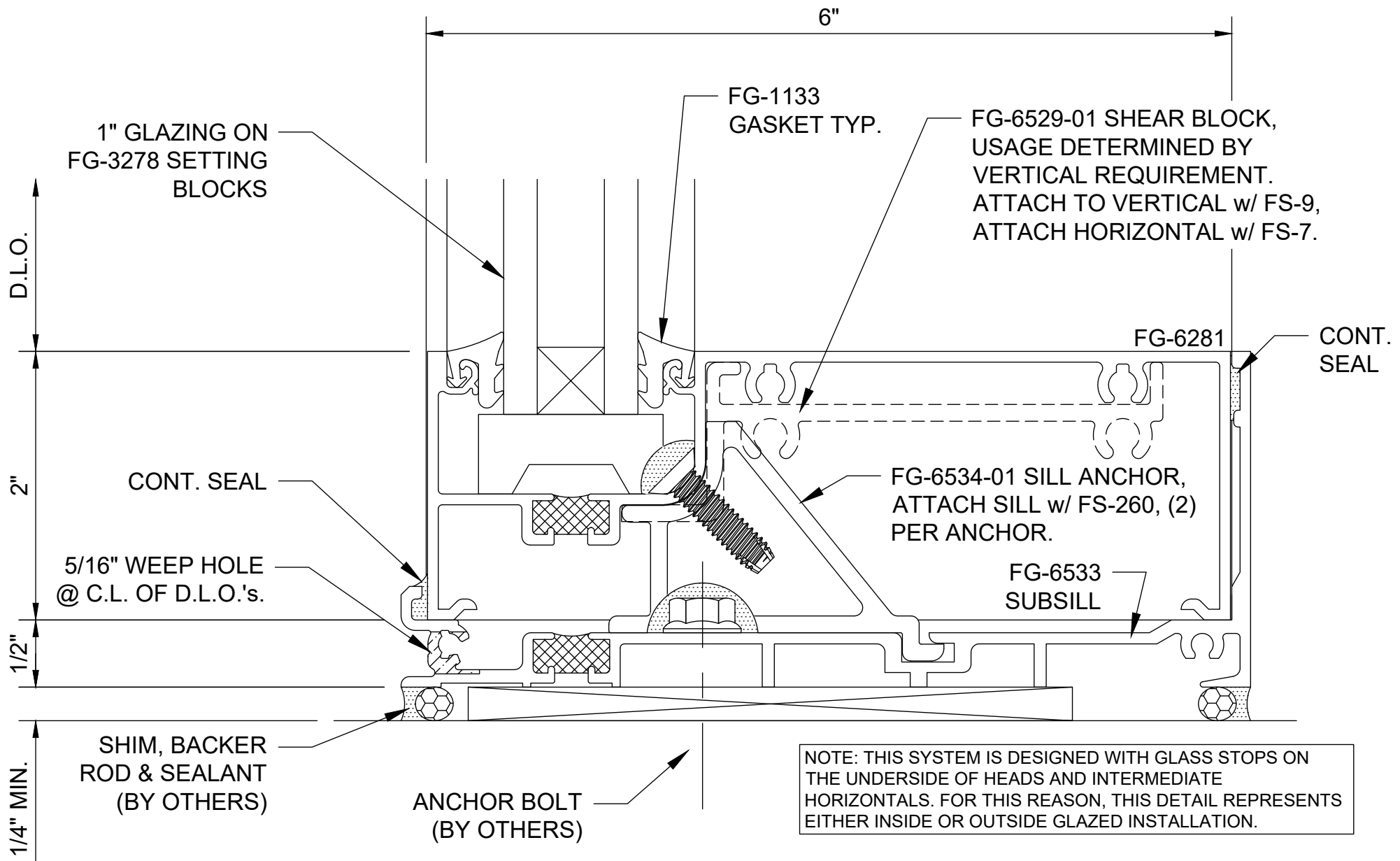
Series 6000 Thermal MultiPlane - Front Set
Head - Outside Glazed - H9202



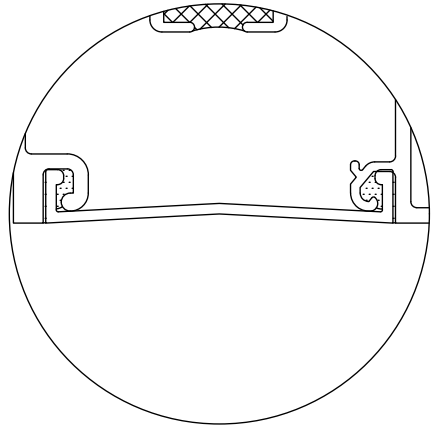
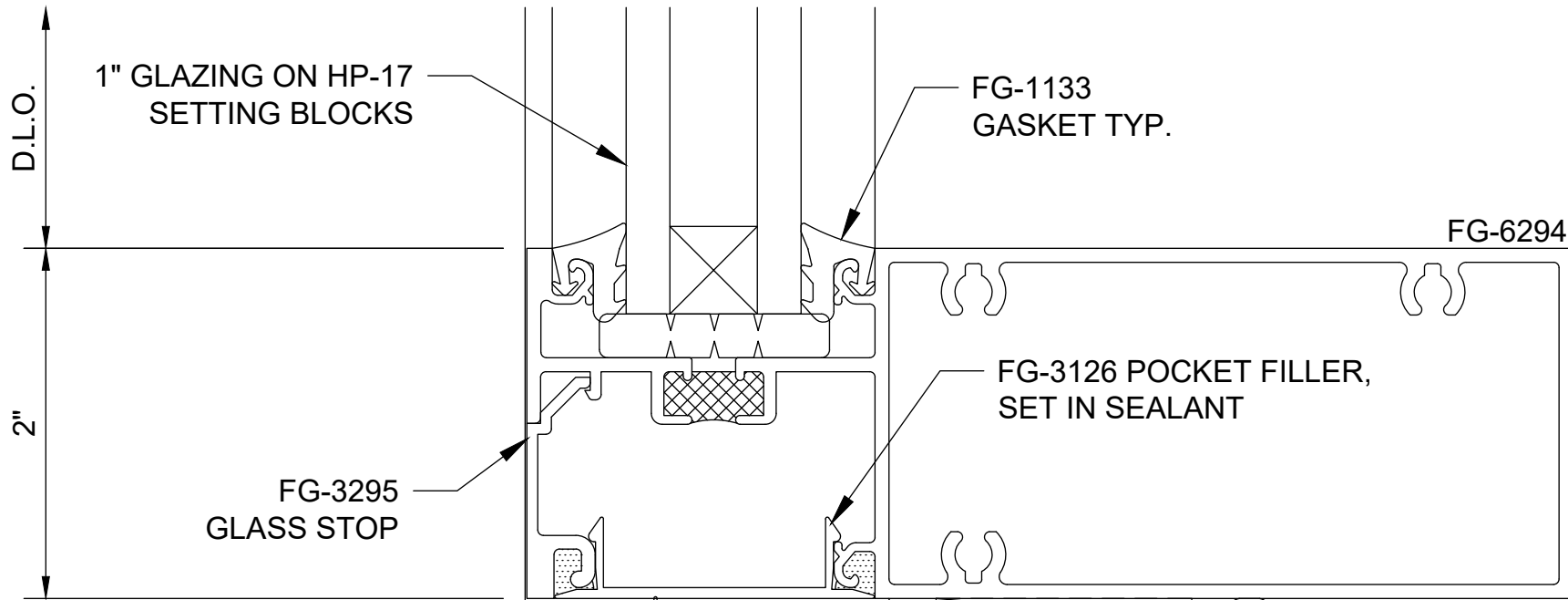
Series 6000 Thermal MultiPlane - Front Set Sill - Typical - H9208



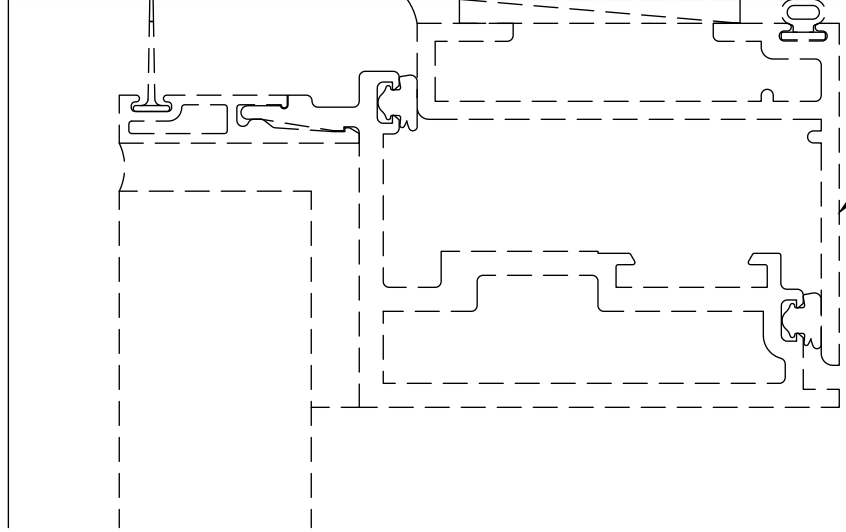
Series 6000 Thermal MultiPlane - Front Set
 Low Profile 8 p.s.f. Sill - H9209



Series 6000 Thermal MultiPlane - Front Set
Sill - Anchored - H9210

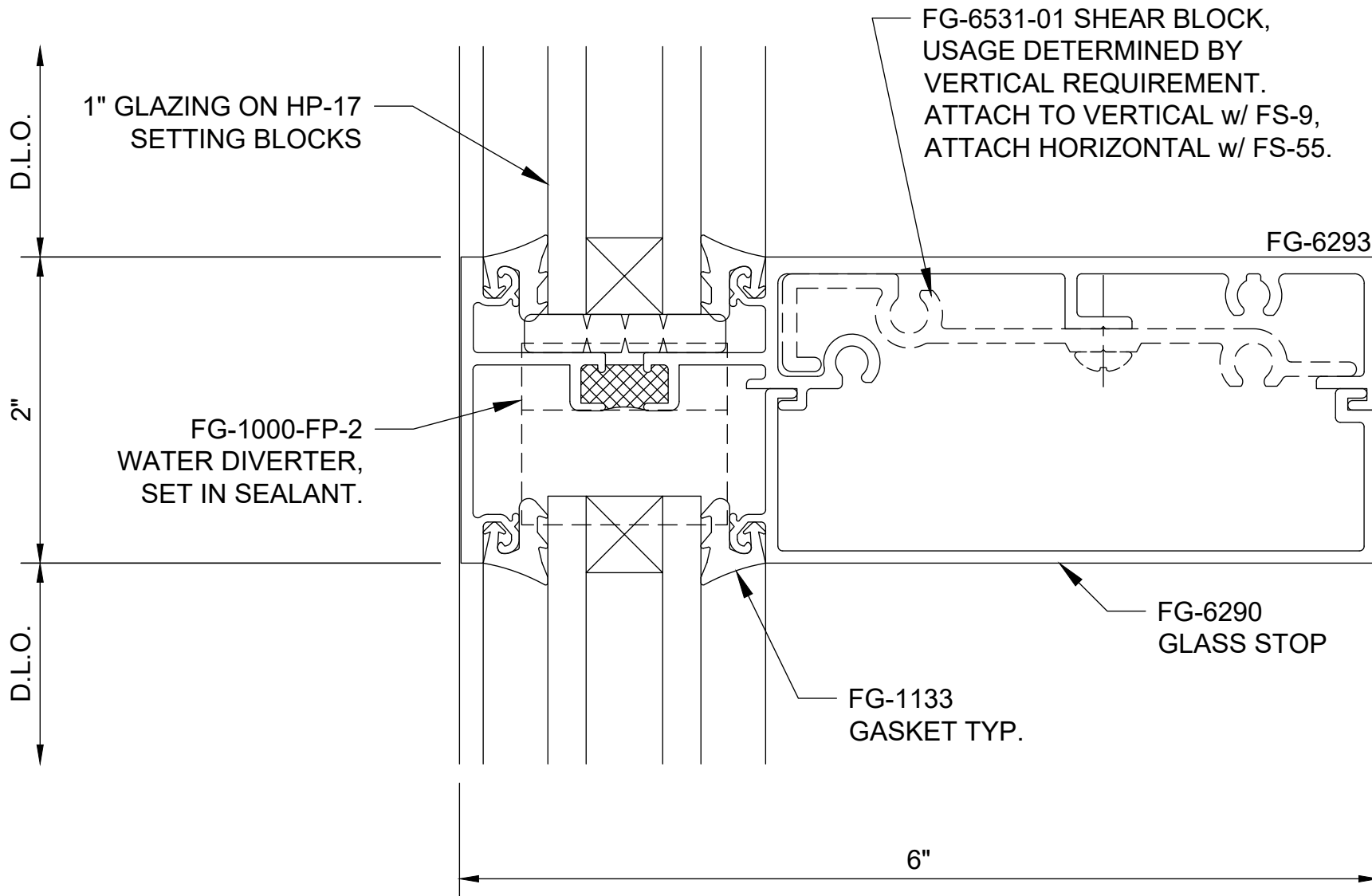


FG-3218 THERMAL POCKET FILLER OPTION, SET IN SEALANT

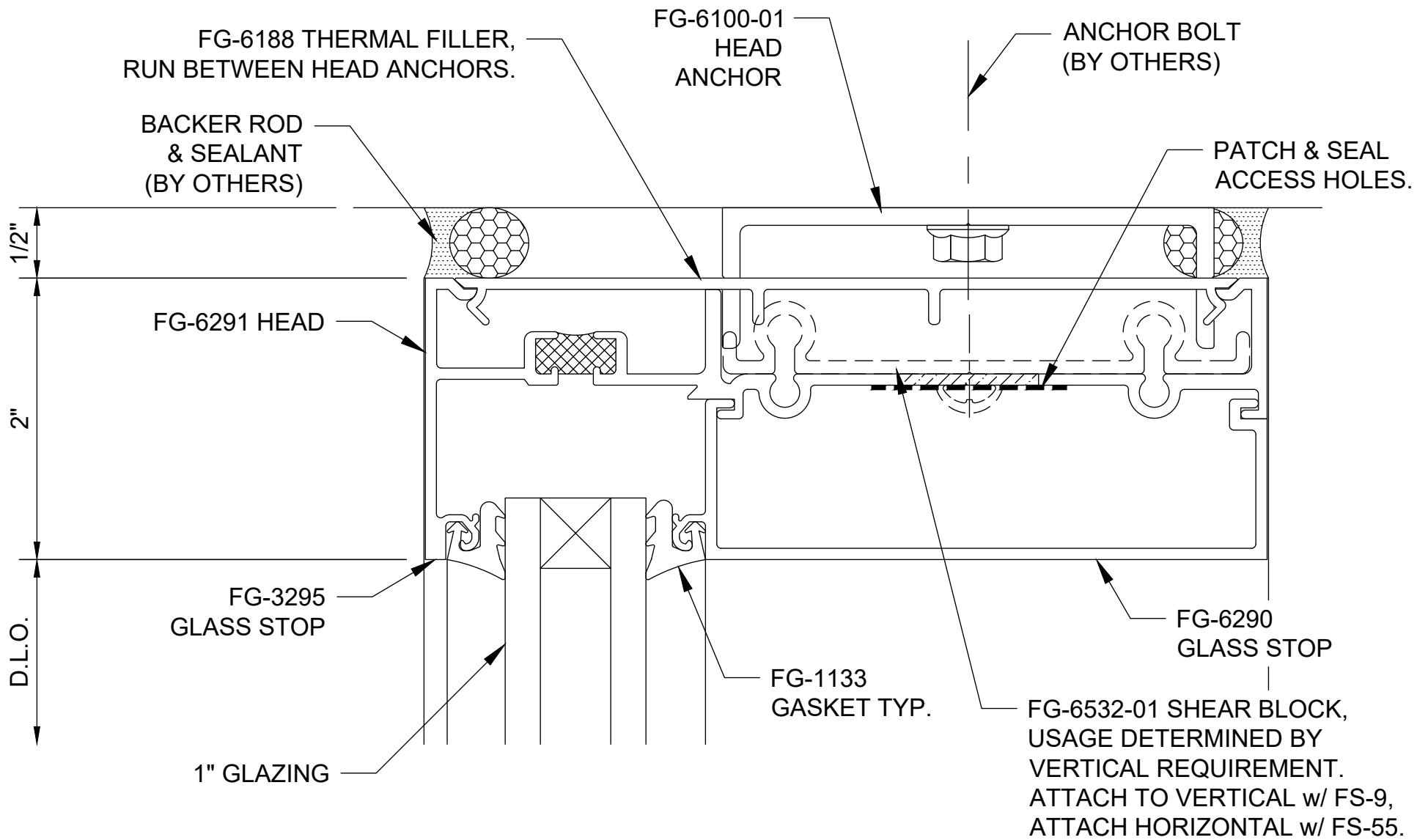


ZERO SIGHTLINE OPERABLE WINDOW. REFERENCE www.obe.com FOR THE MOST CURRENT VENT OPTIONS.

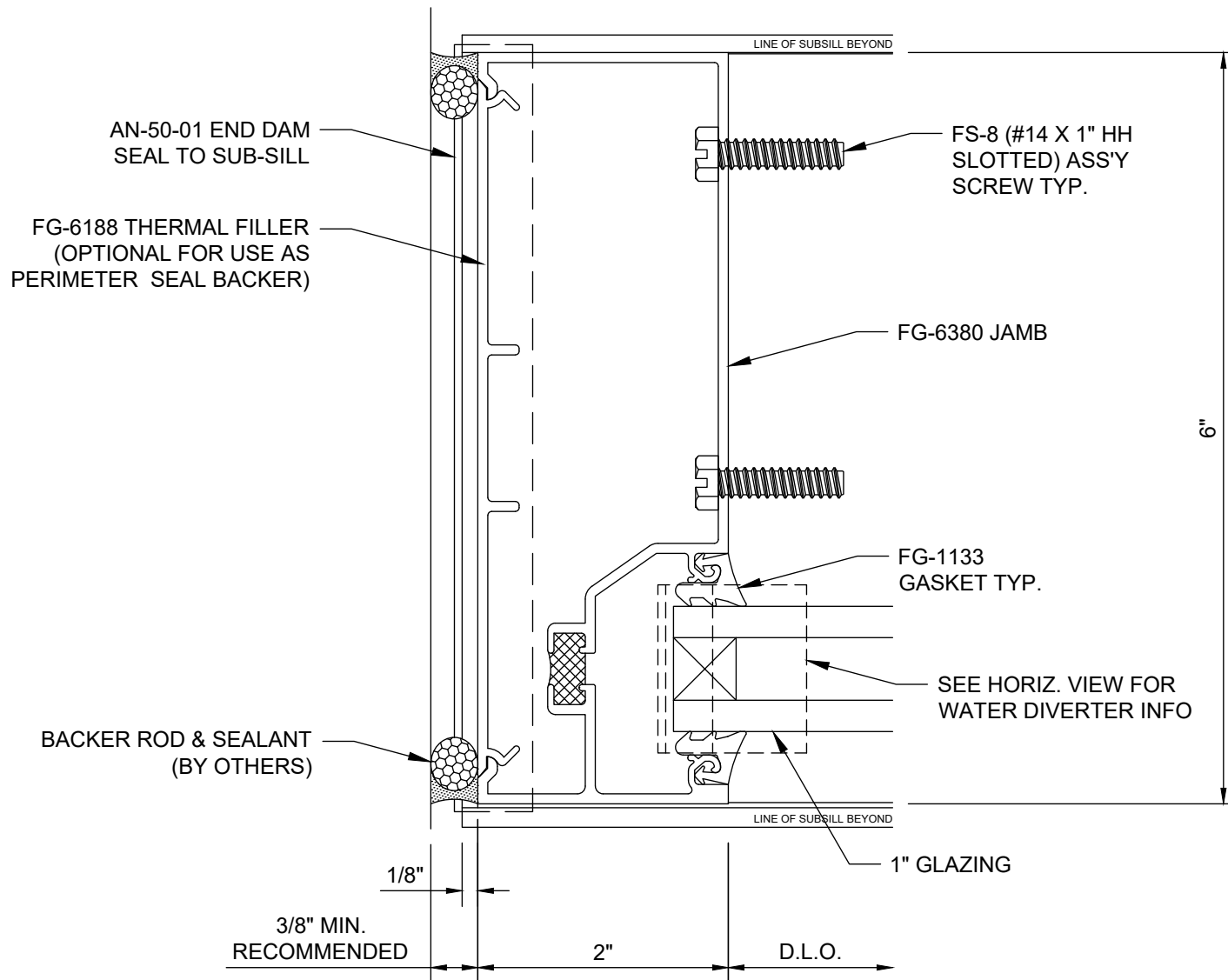
Series 6000 Thermal MultiPlane - Front Set Horizontal at Operable Window - H9219



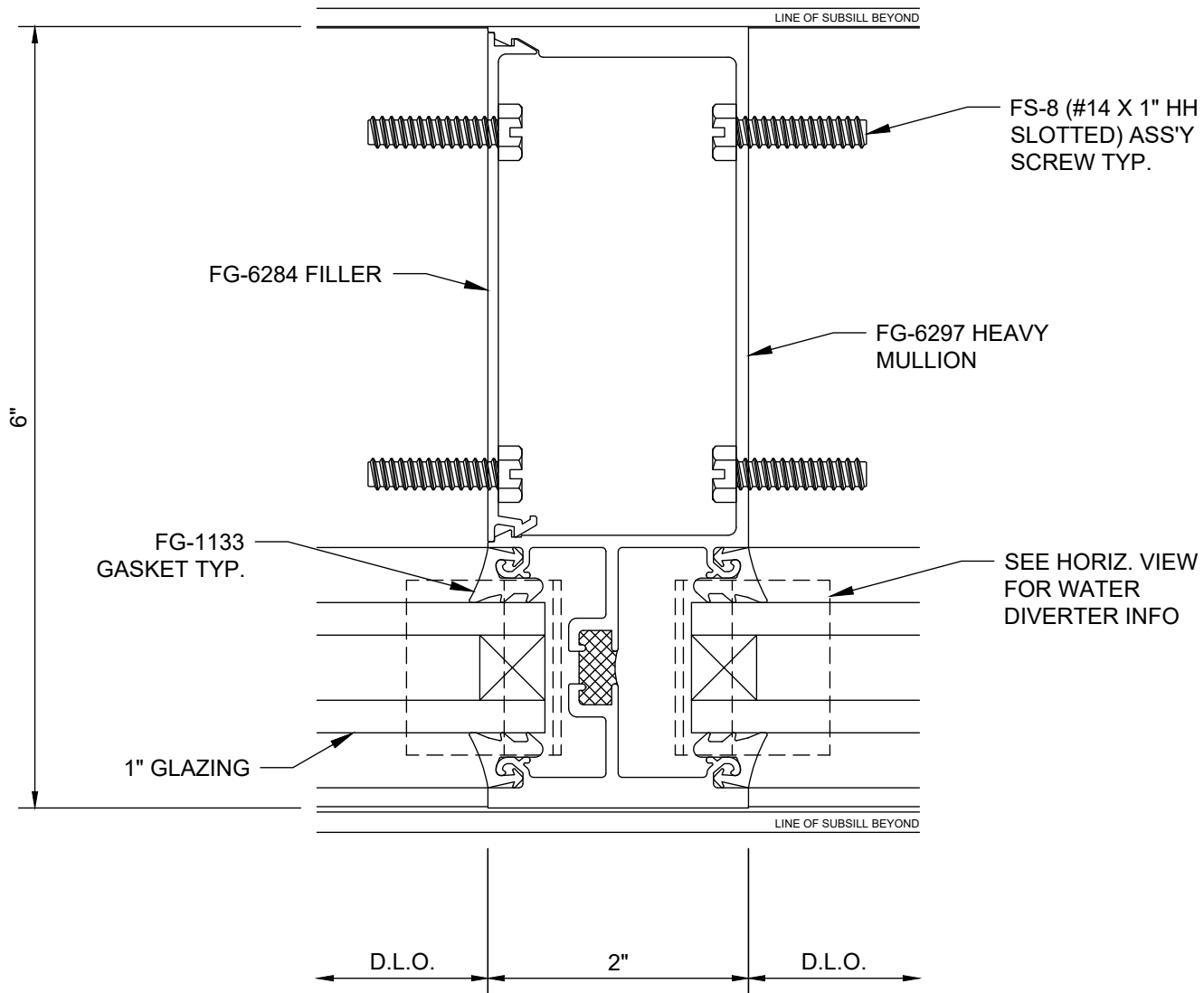
Series 6000 Thermal MultiPlane - Front Set
 Intermediate Horizontal - Inside Glazed - H9221



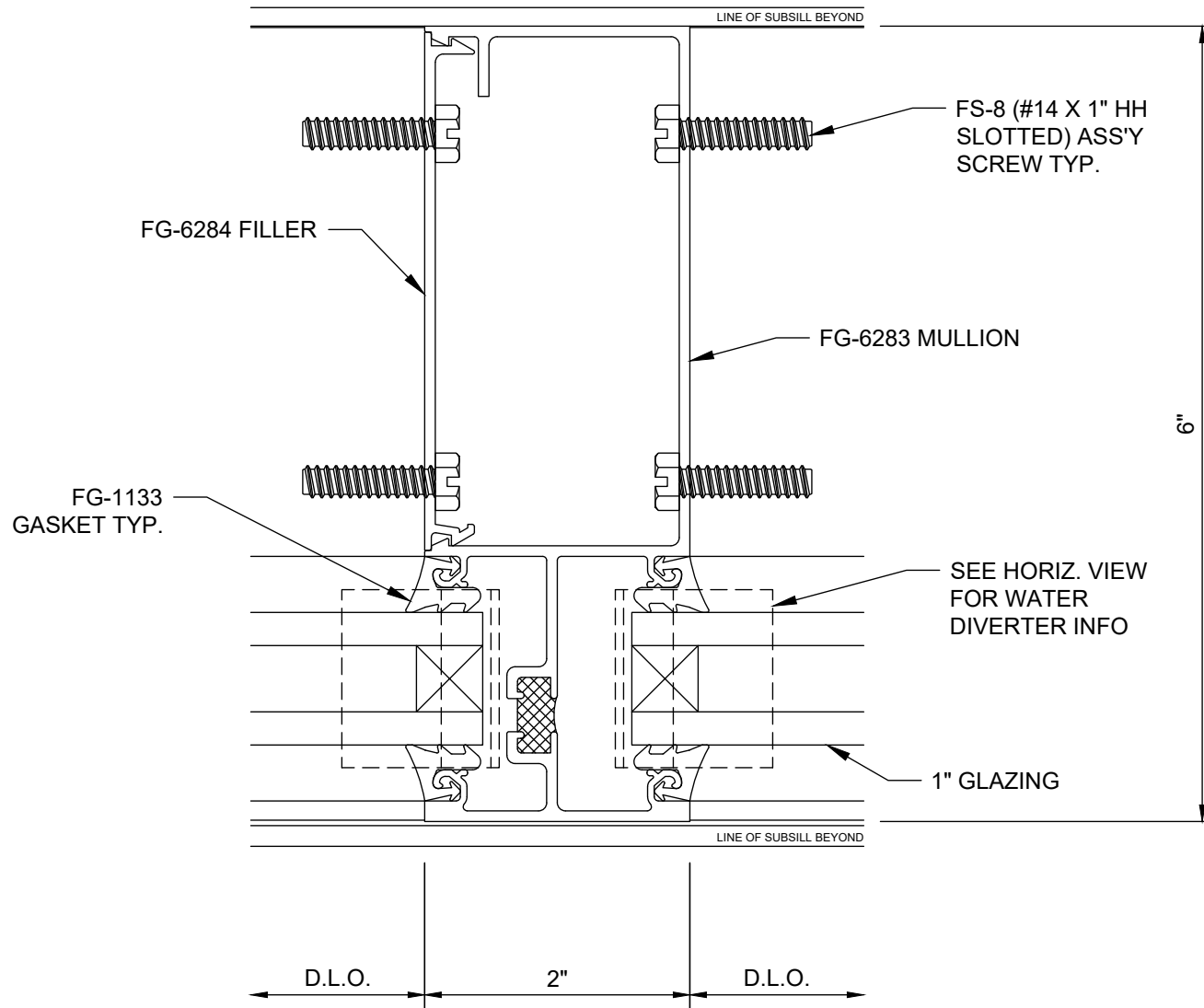
Series 6000 Thermal MultiPlane - Front Set
 Head - Inside Glazed - H9222



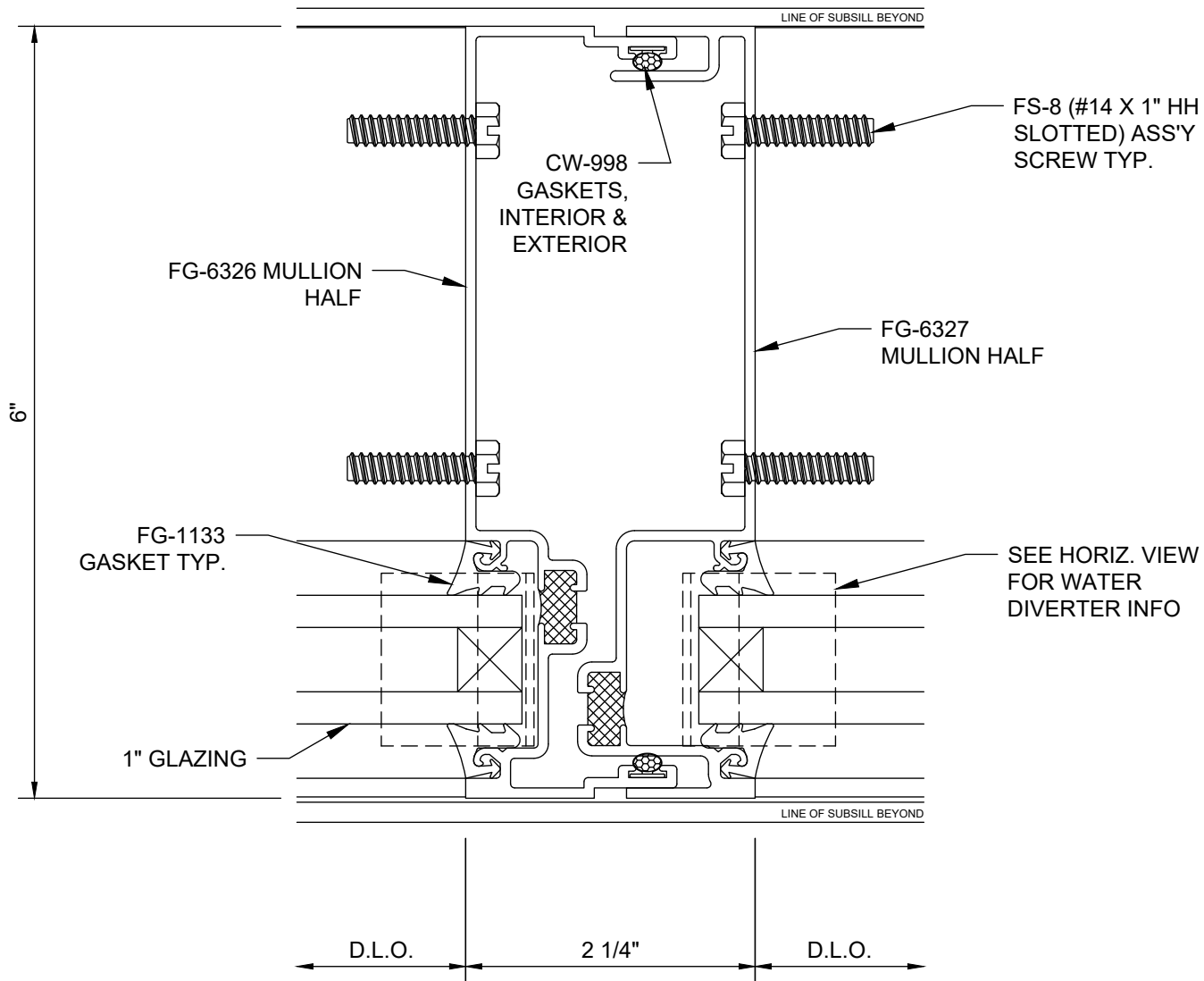
Series 6000 Thermal MultiPlane - Front Set Jamb - V9202



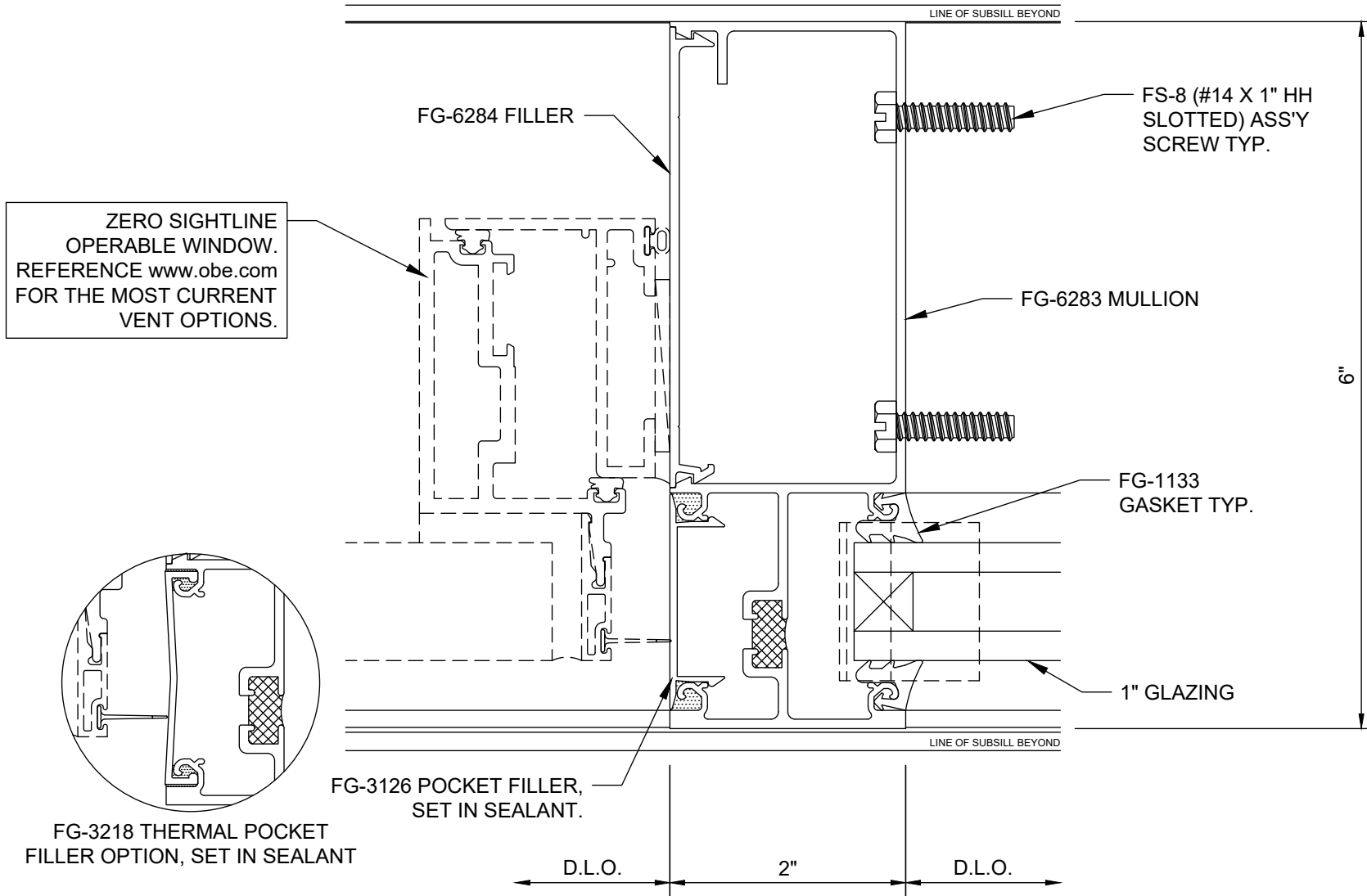
Series 6000 Thermal MultiPlane - Front Set Heavy Vertical - V9205



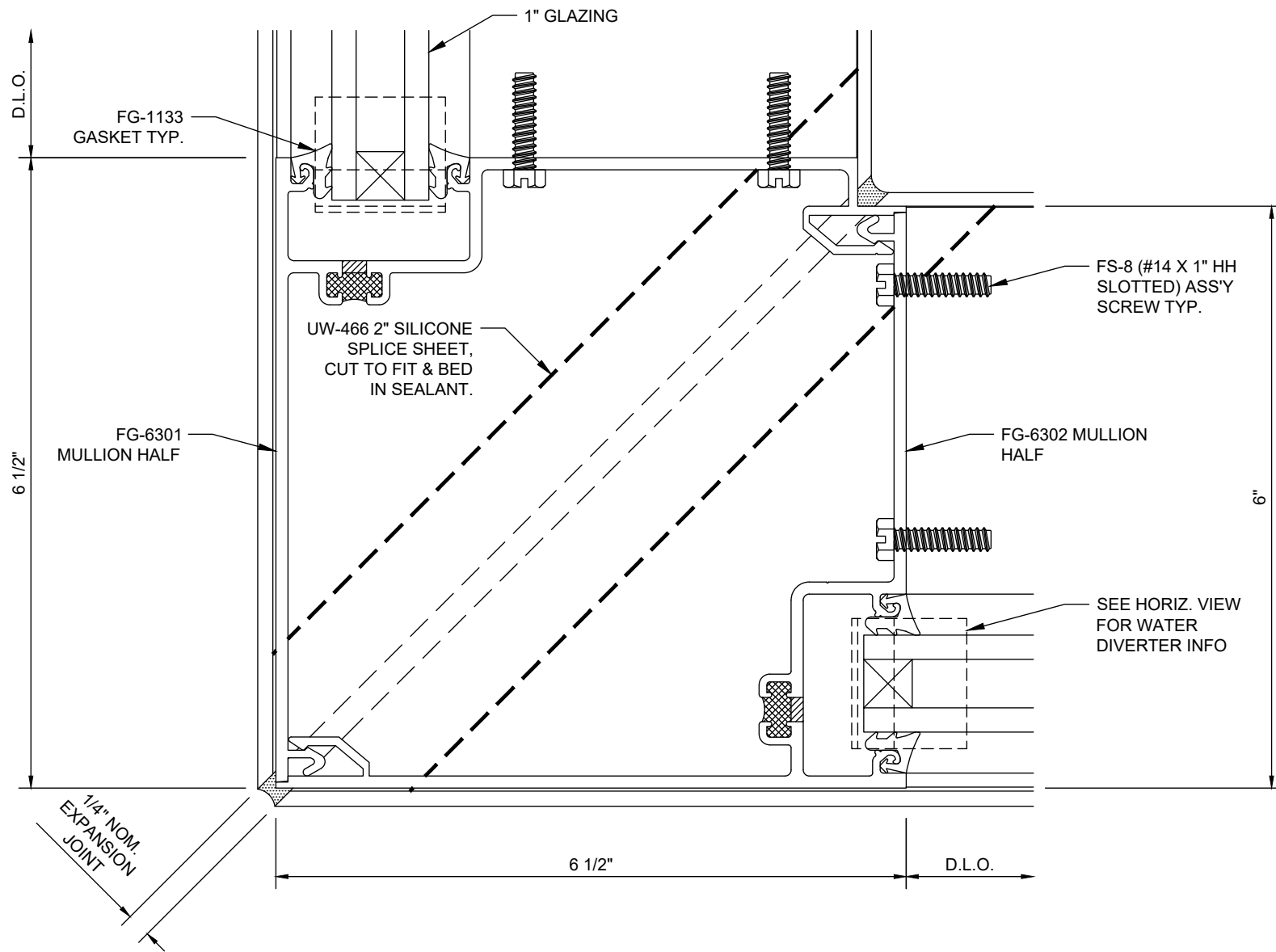
Series 6000 Thermal MultiPlane - Front Set Typical Vertical - V9206



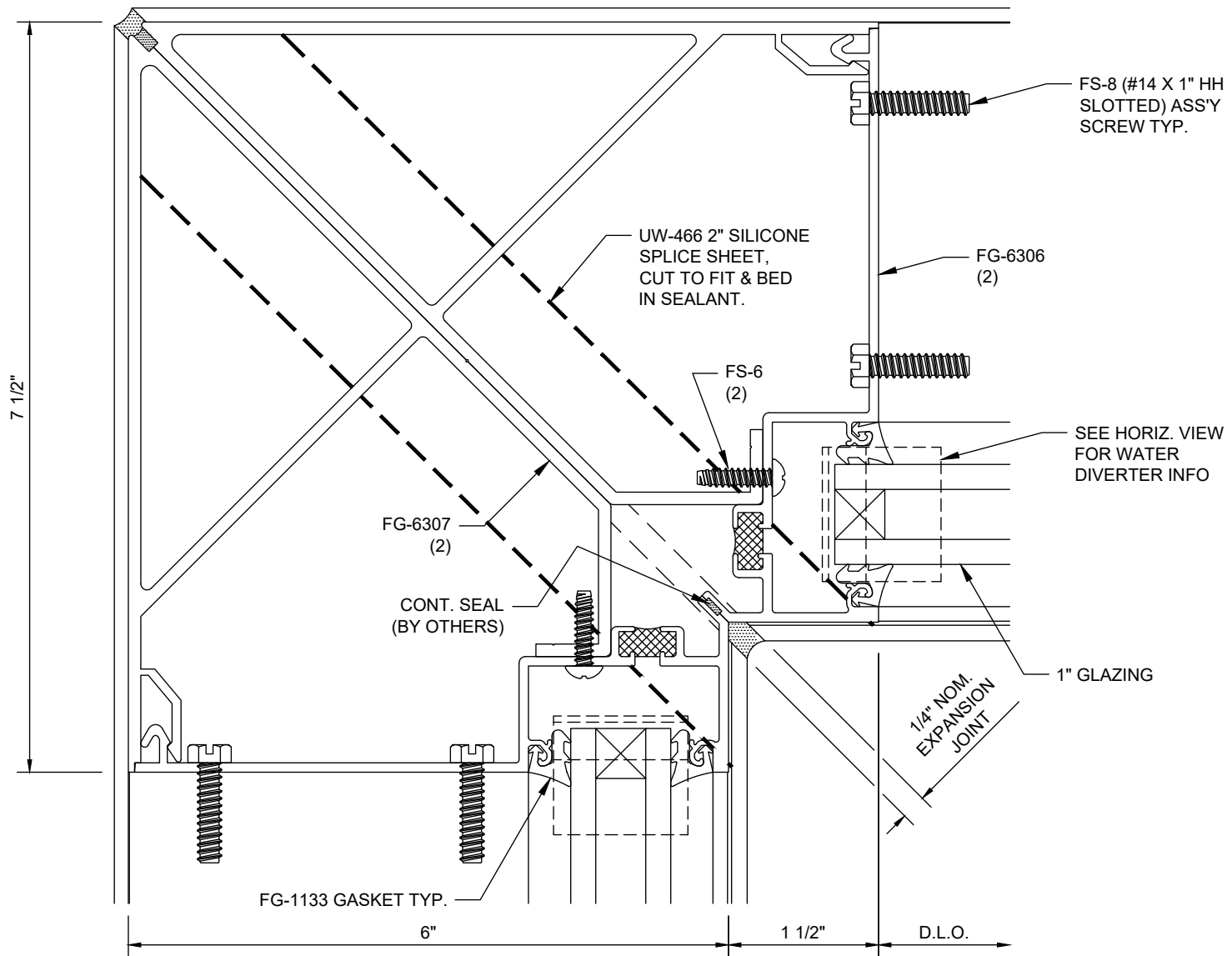
Series 6000 Thermal MultiPlane - Front Set Expansion Vertical - V9207



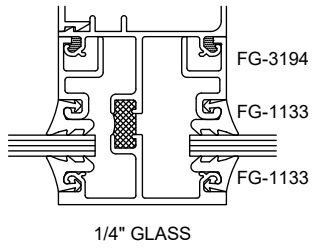
Series 6000 Thermal MultiPlane - Front Set Vertical at Operable Window - V9245



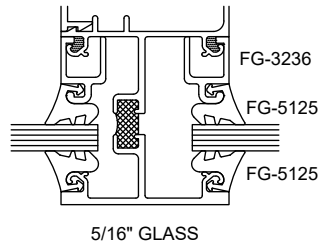
Series 6000 Thermal MultiPlane - Front Set
 90° Outside Corner - V9211



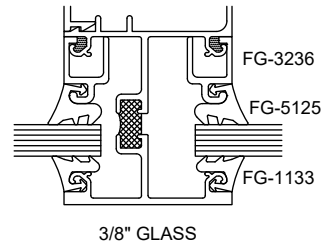
Series 6000 Thermal MultiPlane - Front Set
90° Inside Corner - V9212



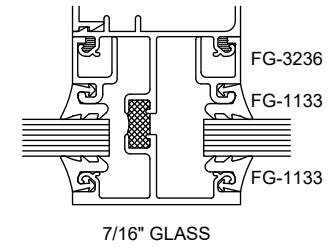
1/4" GLASS



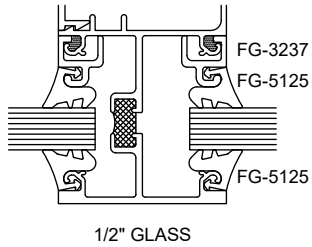
5/16" GLASS



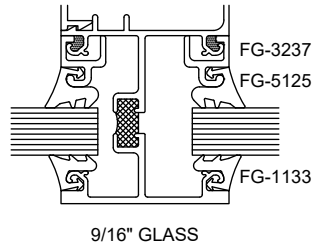
3/8" GLASS



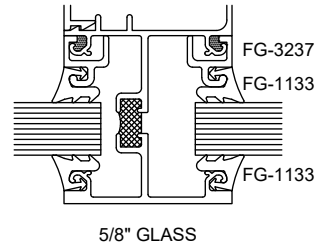
7/16" GLASS



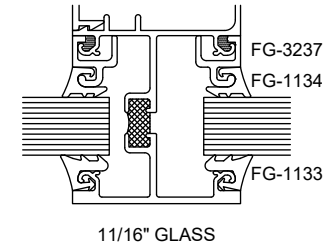
1/2" GLASS



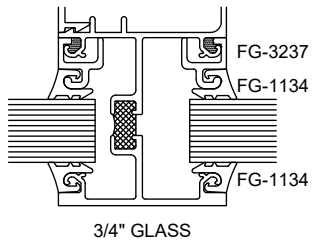
9/16" GLASS



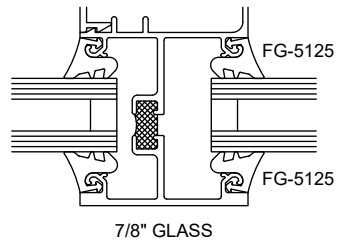
5/8" GLASS



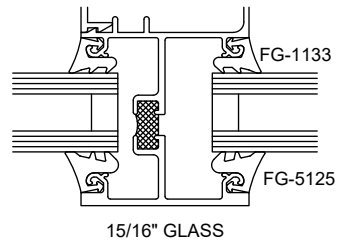
11/16" GLASS



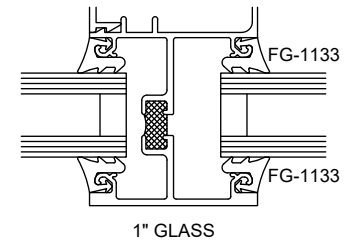
3/4" GLASS



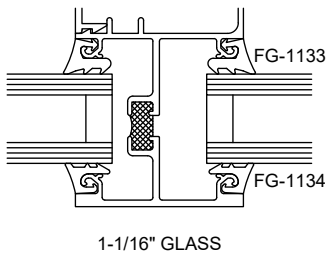
7/8" GLASS



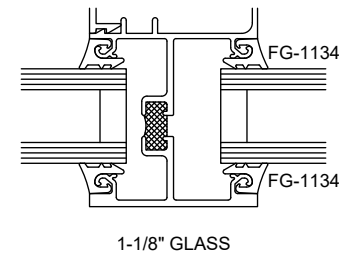
15/16" GLASS



1" GLASS



1-1/16" GLASS

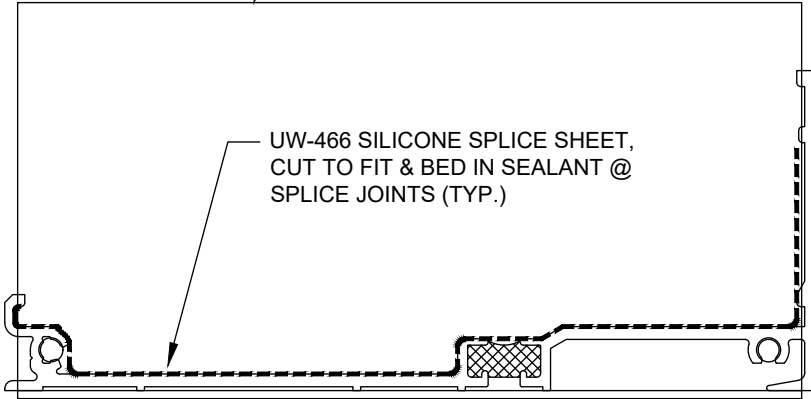


1-1/8" GLASS

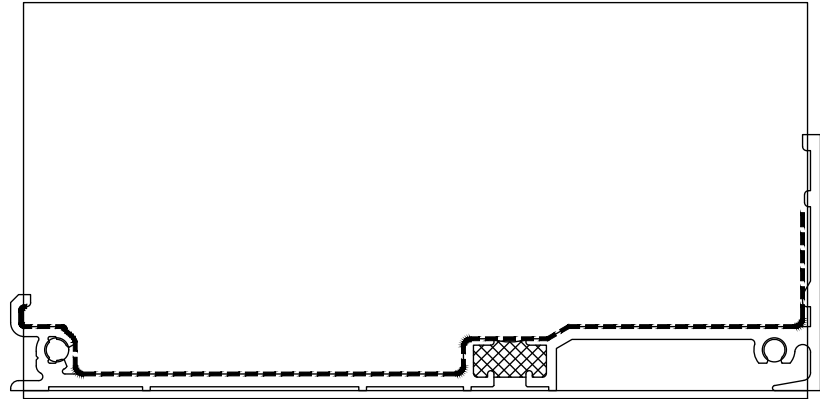
Series 3000/6000 Thermal MultiPlane - Front Set Glazing Options - M4148

AN-50-01 END DAM, TYPICAL FOR ALL SUBSILL OPTIONS.
ATTACH W/ (2) FS-320 DRIVE PINS.

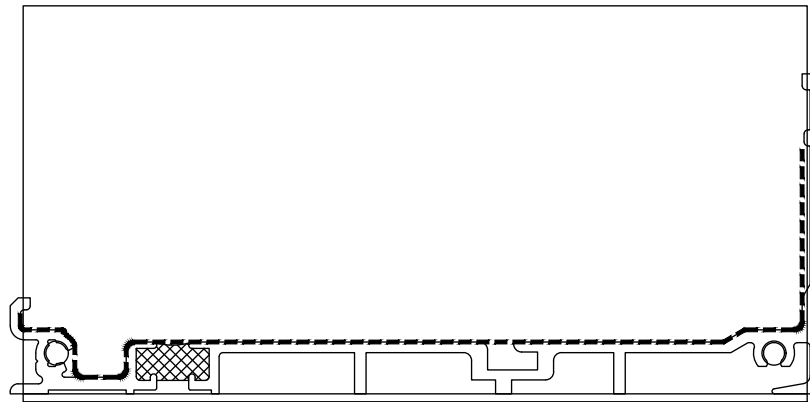
UW-466 SILICONE SPLICE SHEET,
CUT TO FIT & BED IN SEALANT @
SPLICE JOINTS (TYP.)



FG-6413 SUBSILL



FG-6513 SUBSILL



FG-6533 SUBSILL

Series 6000 Thermal MultiPlane - Front Set Subsill Splicing & End Dam Information - M9225