

Oldcastle BuildingEnvelope®

1-866-Oldcastle (653-2278) - www.obe.com

SERIES 6000 - THERMAL MULTIPLANE STOREFRONT 2" X 6" w/ 1" TYP. INFILL / CENTER SET

(Drawing numbers---i.e., V9111---used as CAD detail reference only)

Elevation

Horizontal Details

H9101	Intermediate Horizontal
H9102	Head
H9103	Sill Option 1
H9104	Sill Option 2
H9119	Horizontal at Operable Window

Vertical Details

V9102	Jamb
V9105	Heavy Vertical
V9106	Typical Vertical
V9107	Expansion Vertical

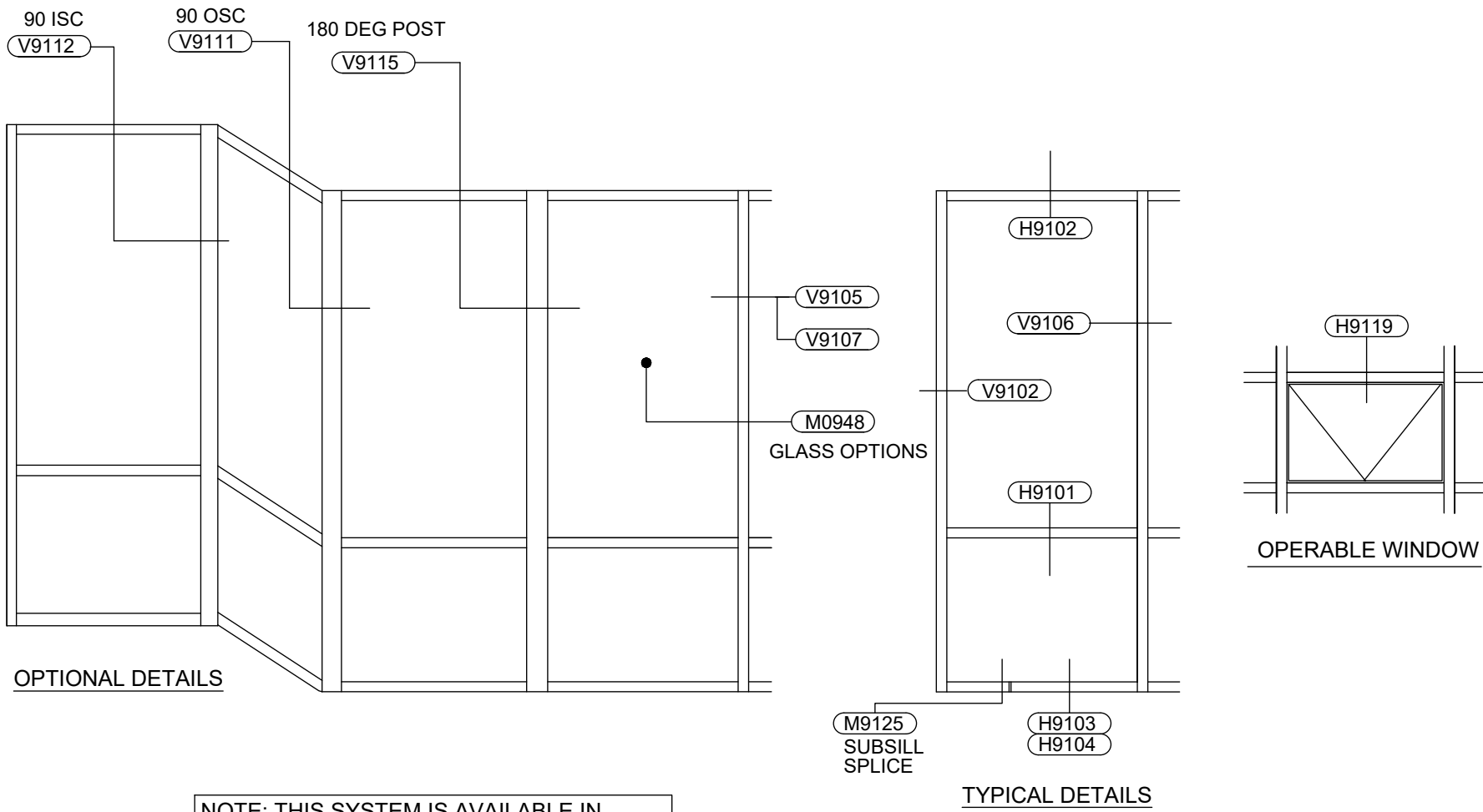
Corner Details

V9111	90° Outside Corner
V9112	90° Inside Corner
V9115	180° Post

Misc. Details

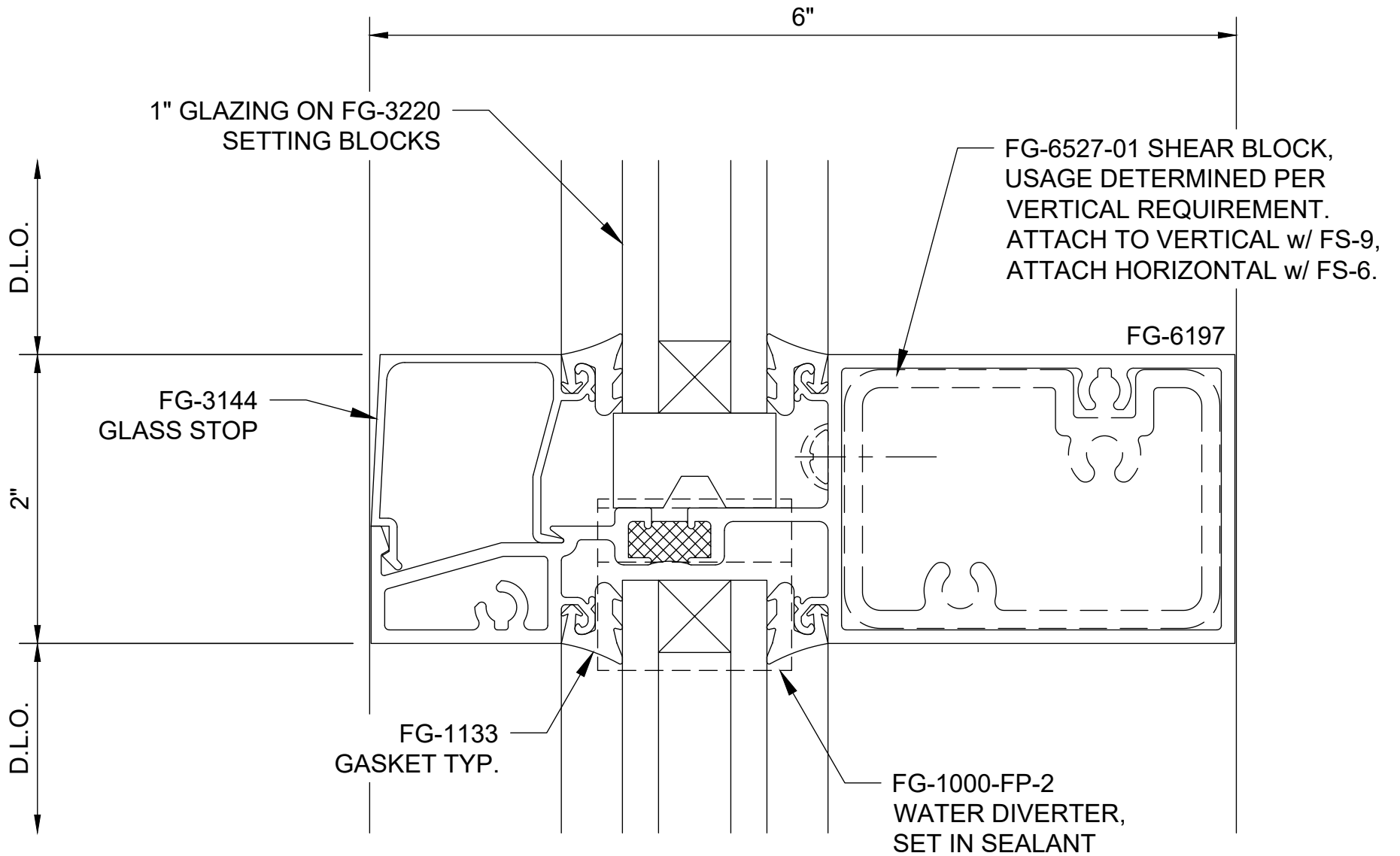
M0948	Glazing Options
M9125	Sill Receptor Splicing

Table of Contents

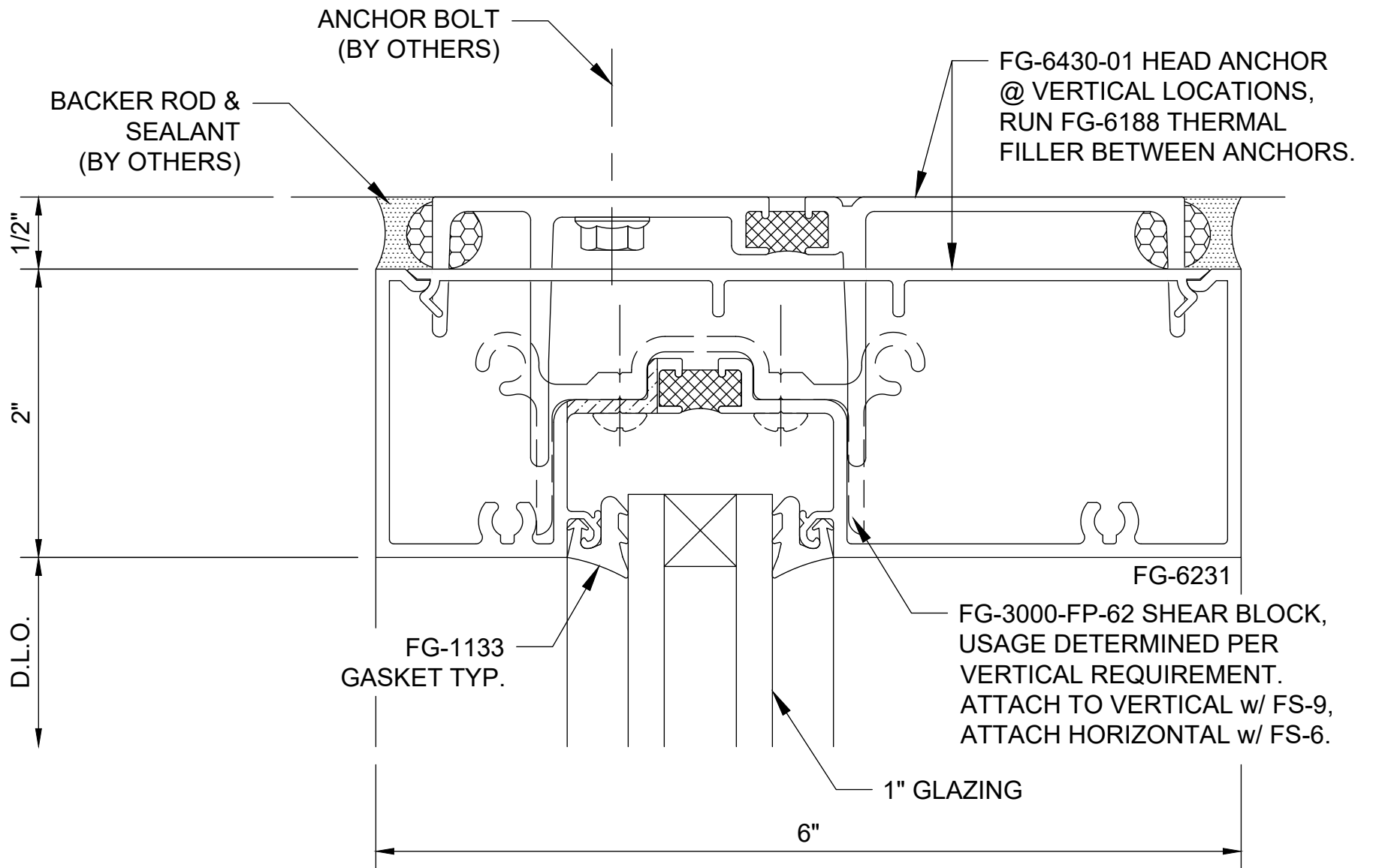


NOTE: THIS SYSTEM IS AVAILABLE IN OUTSIDE GLAZED CONFIGURATION ONLY.

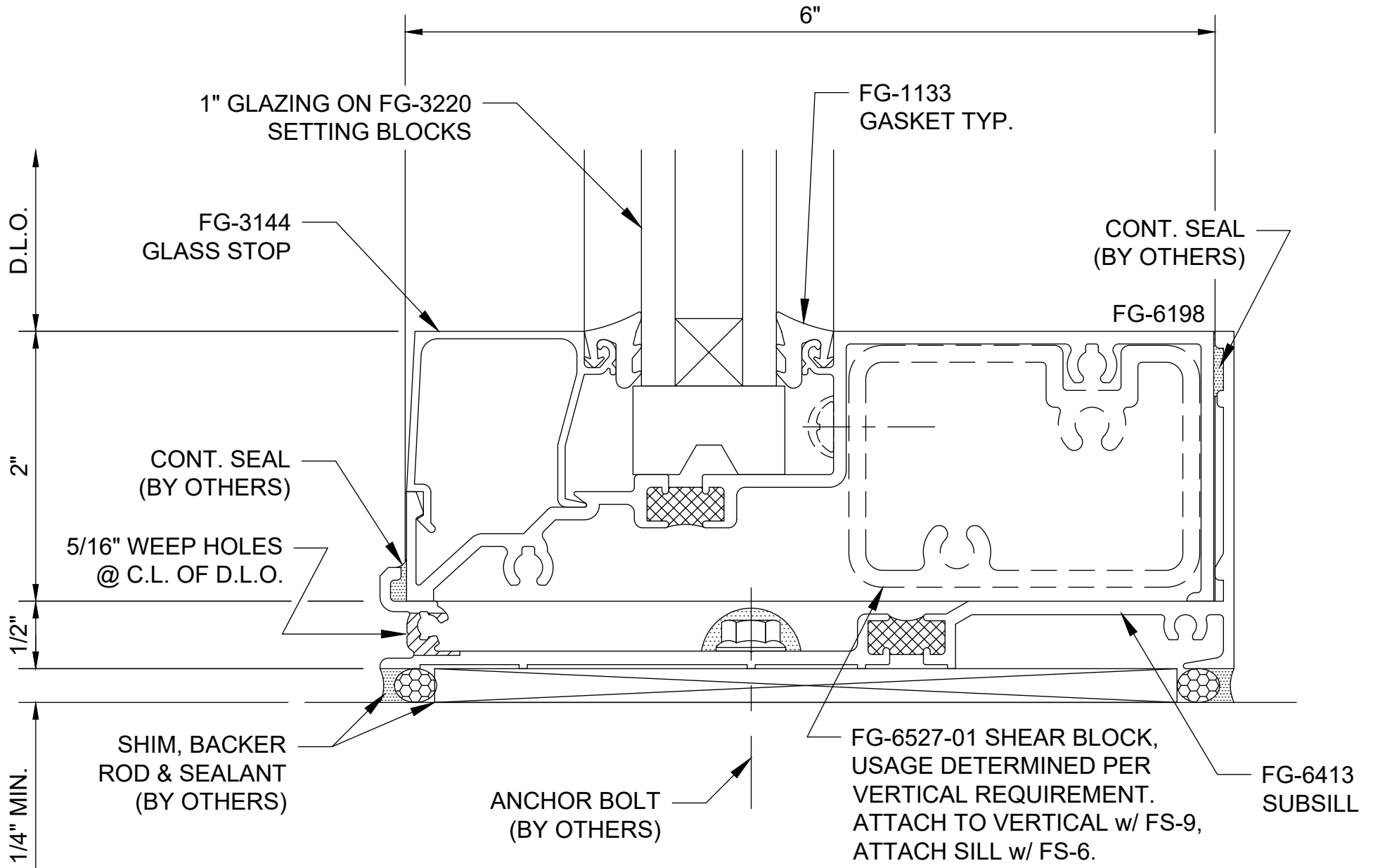
Series 6000 Thermal MultiPlane - Center Set 2" x 6" Thermally Broken Storefront w/ 1" Typical Infill - Elevation



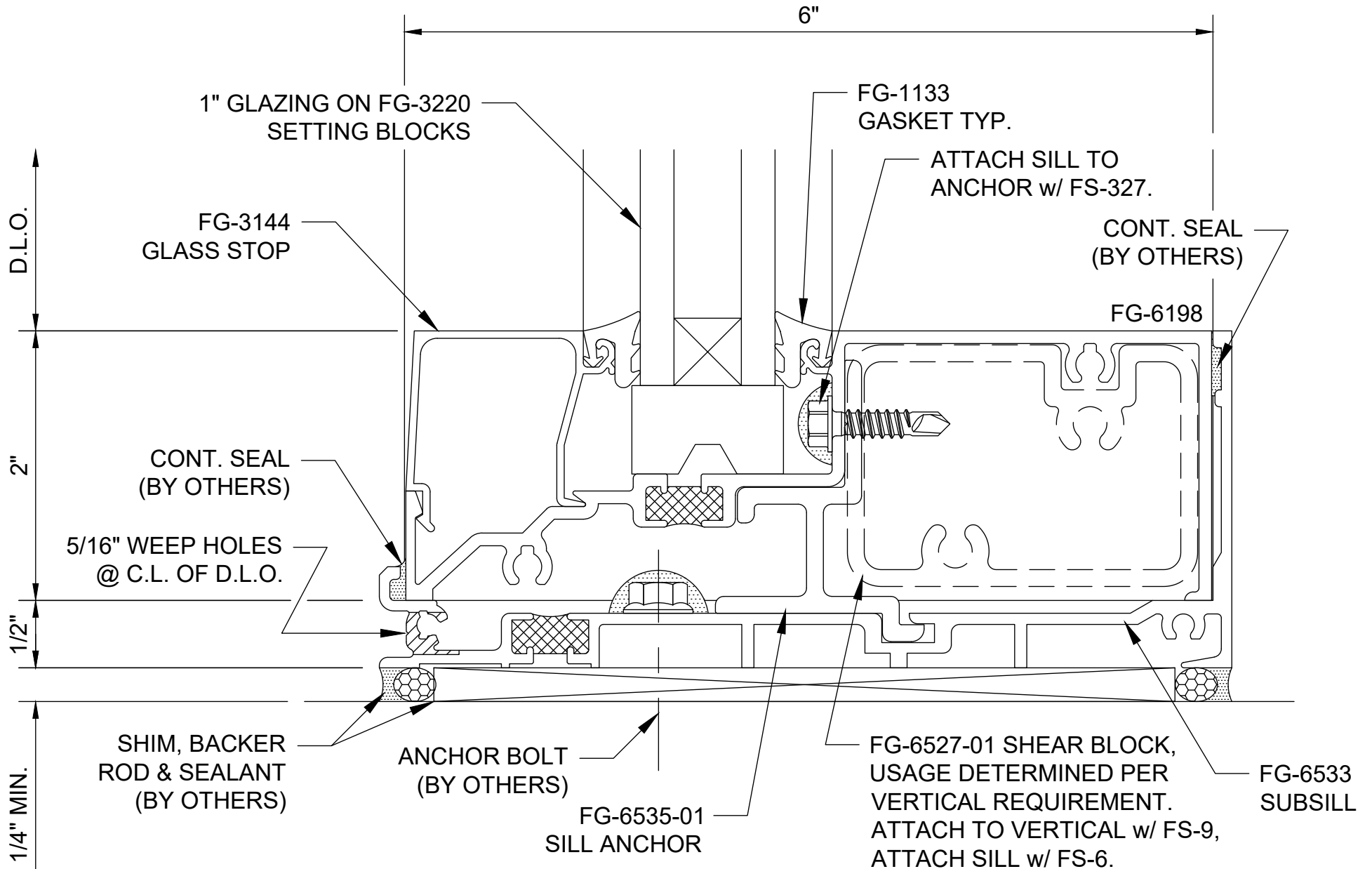
Series 6000 Thermal MultiPlane - Center Set
Intermediate Horizontal - H9101



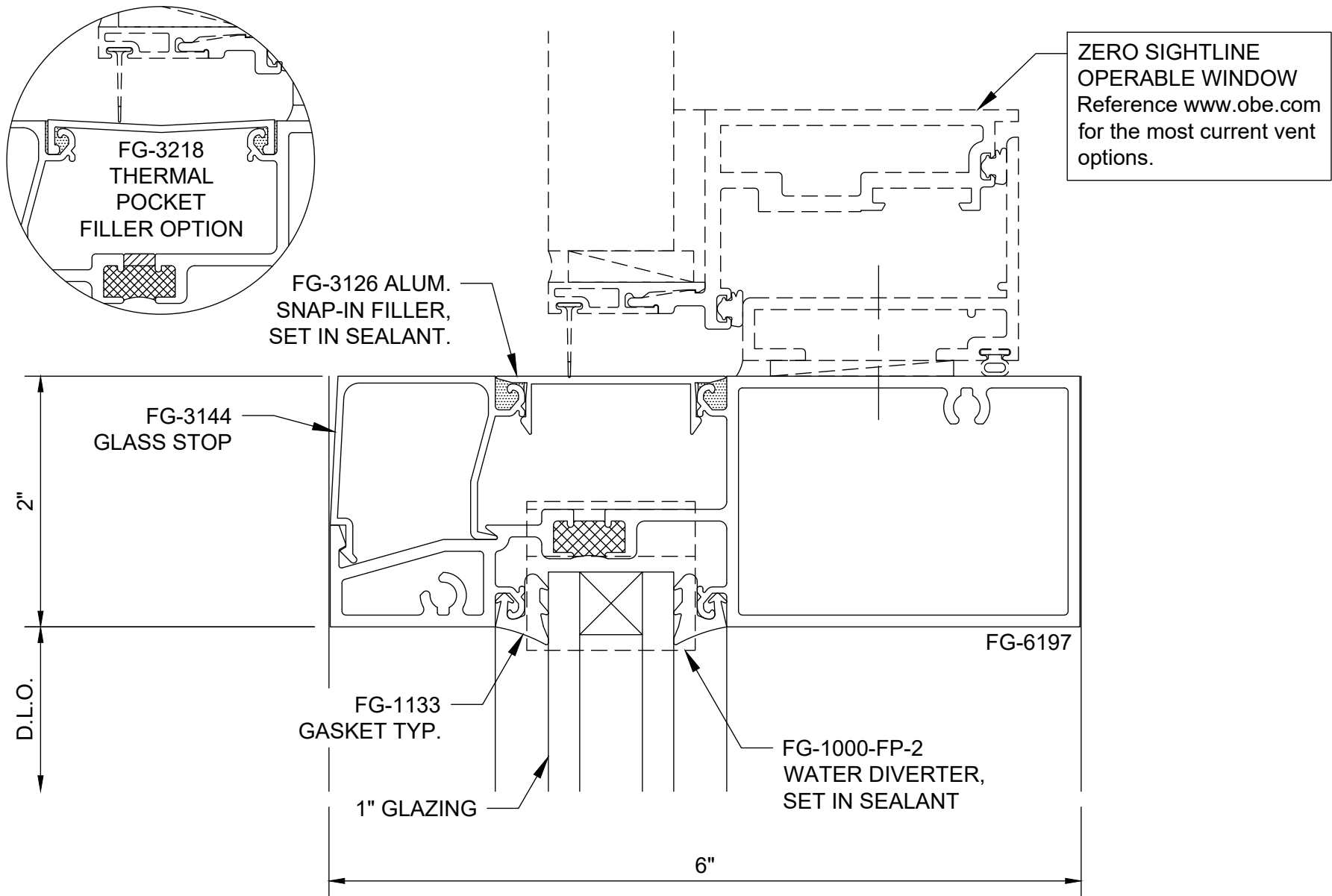
Series 6000 Thermal MultiPlane - Center Set Head - H9102



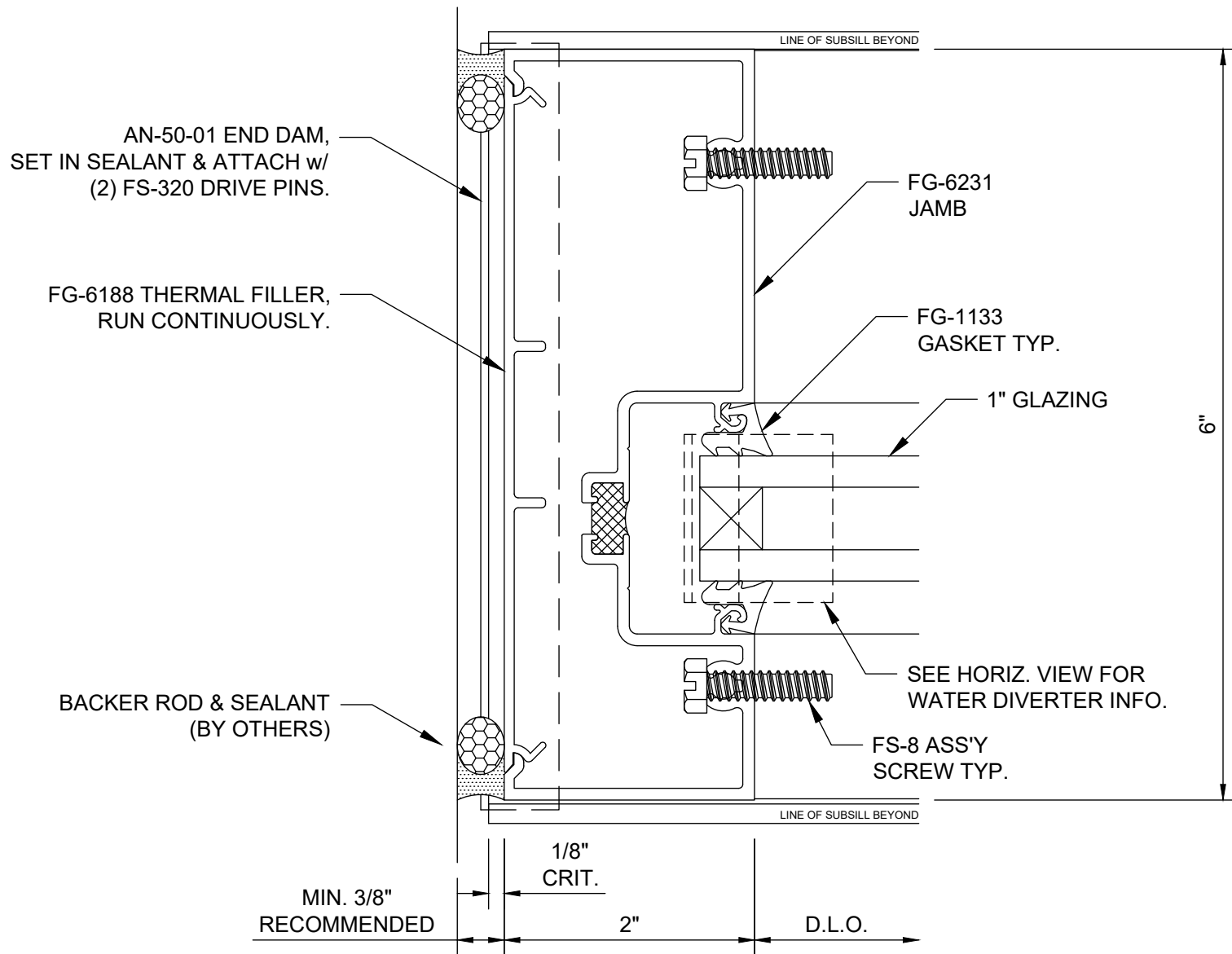
**Series 6000 Thermal MultiPlane - Center Set
Sill - Typical - H9103**



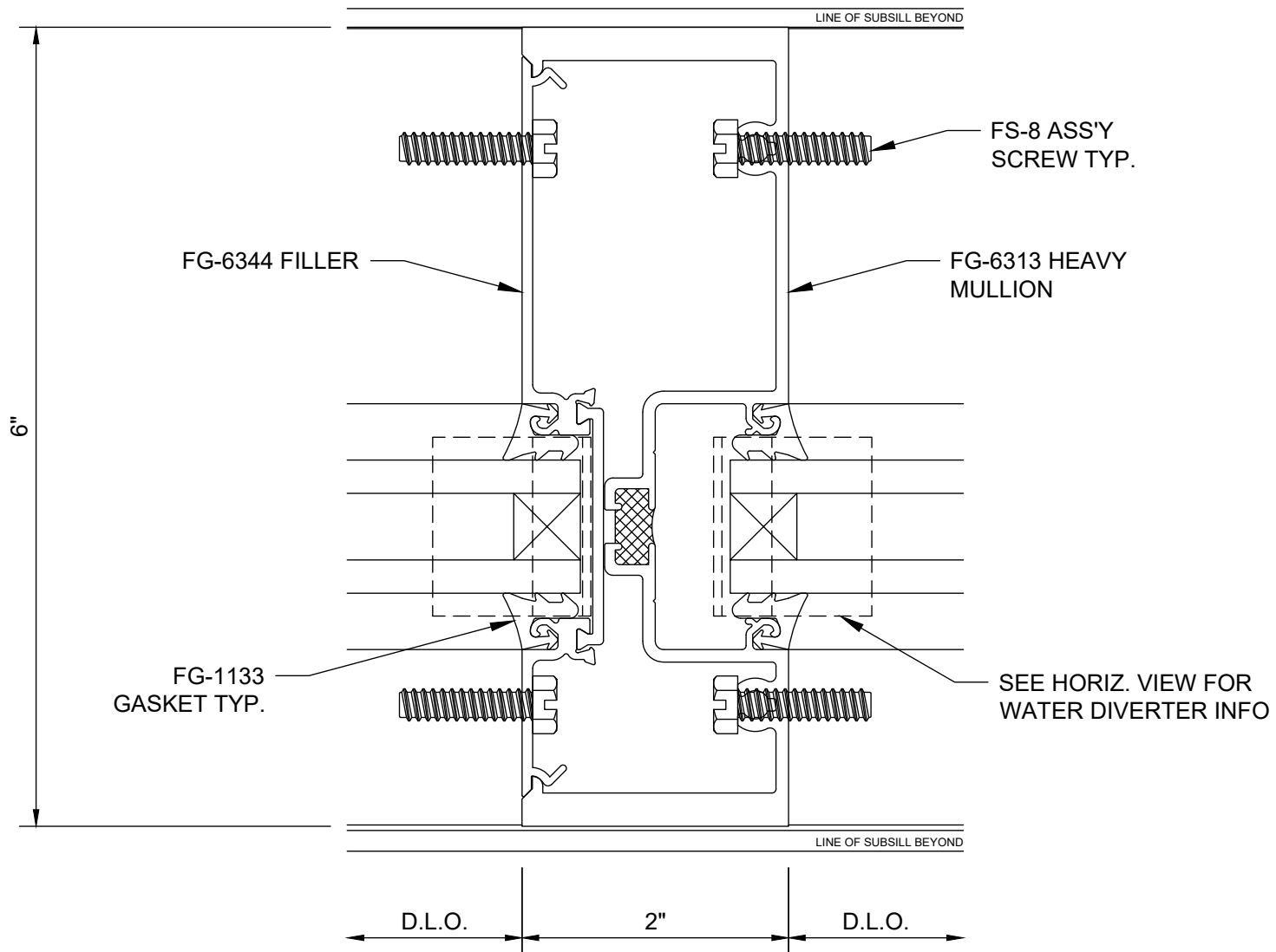
**Series 6000 Thermal MultiPlane - Center Set
Sill - Anchored - H9104**



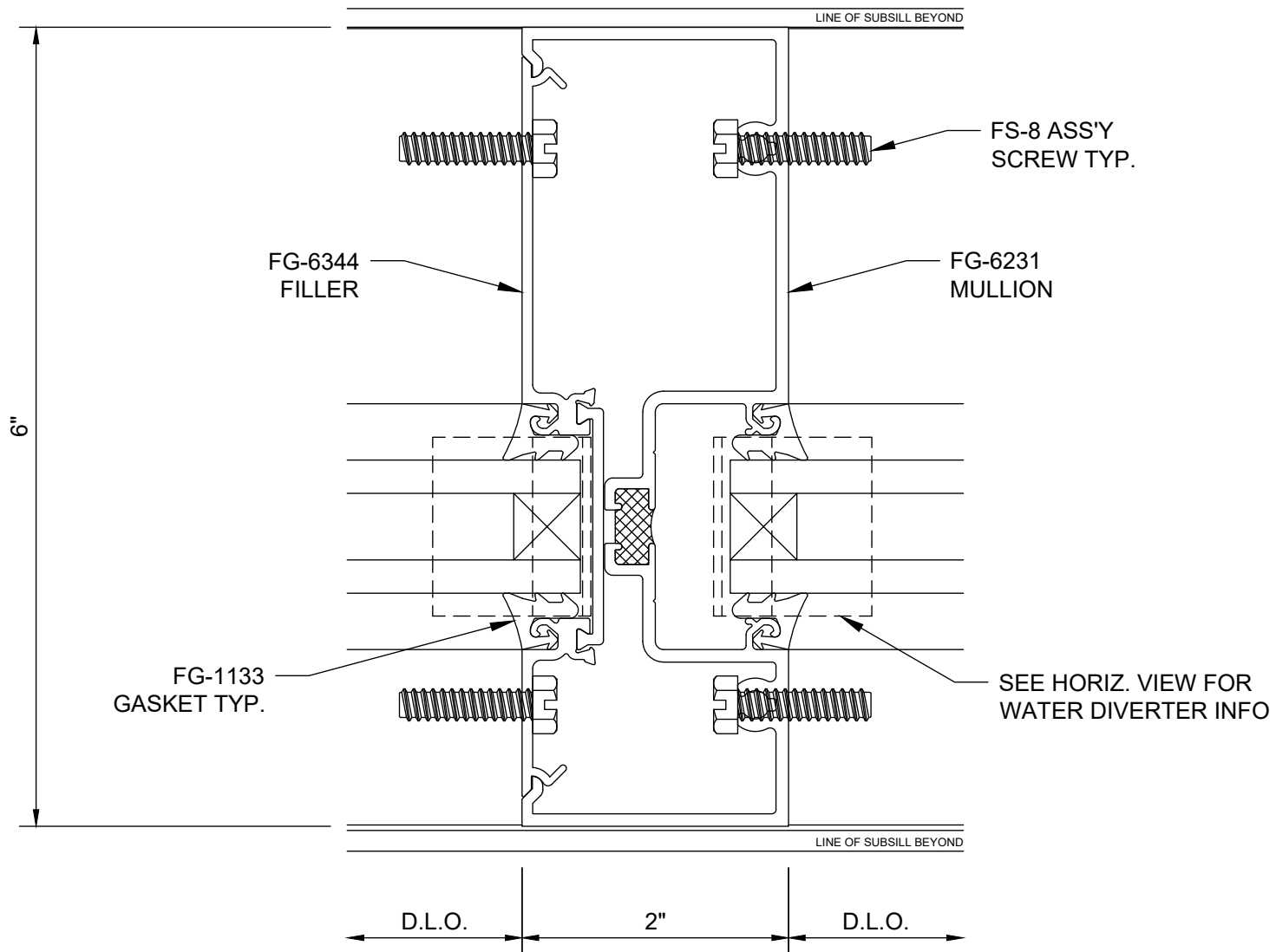
**Series 6000 Thermal MultiPlane - Center Set
Horizontal at Operable Window - H9119**



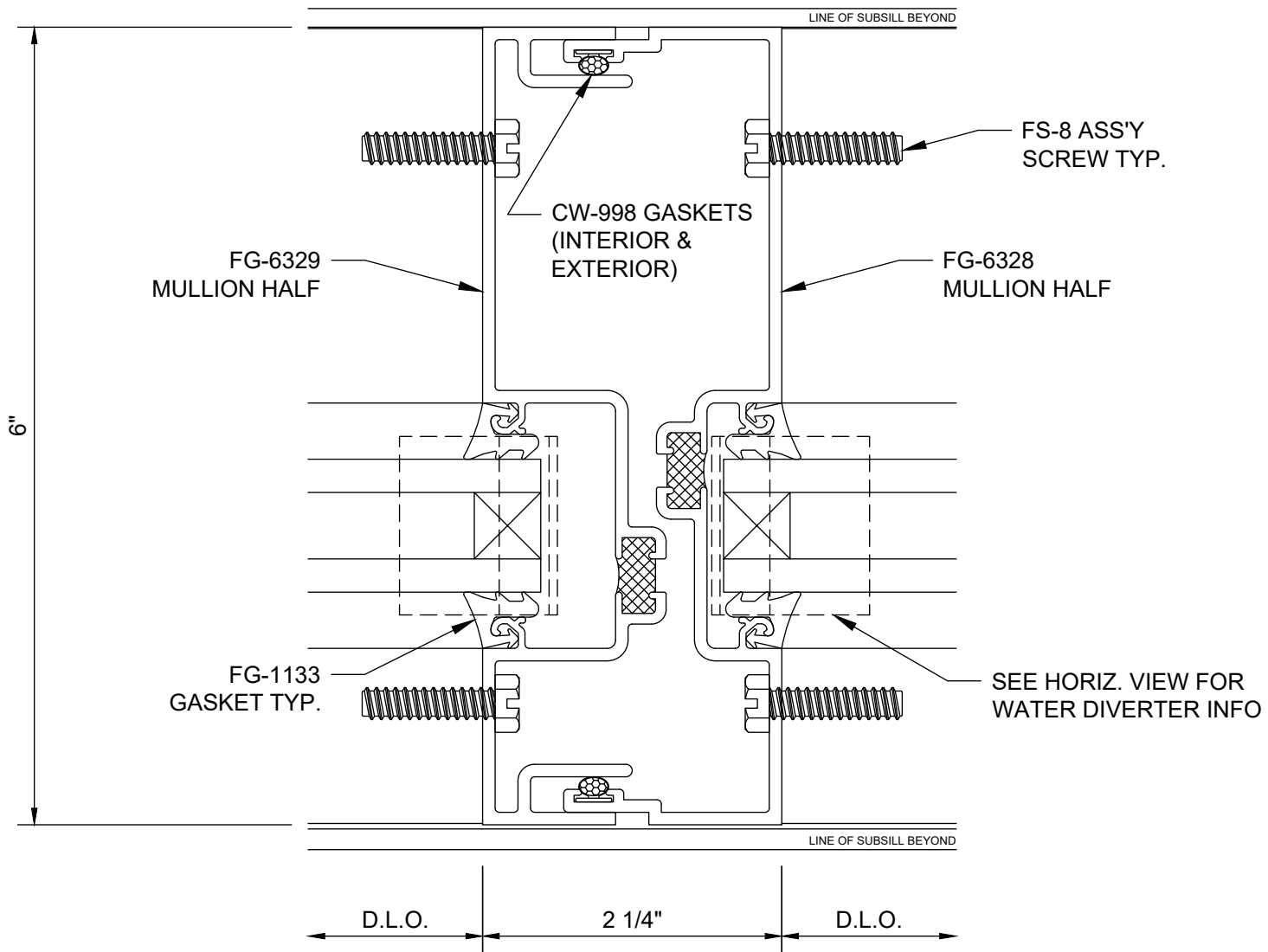
Series 6000 Thermal MultiPlane - Center Set Jamb - V9102



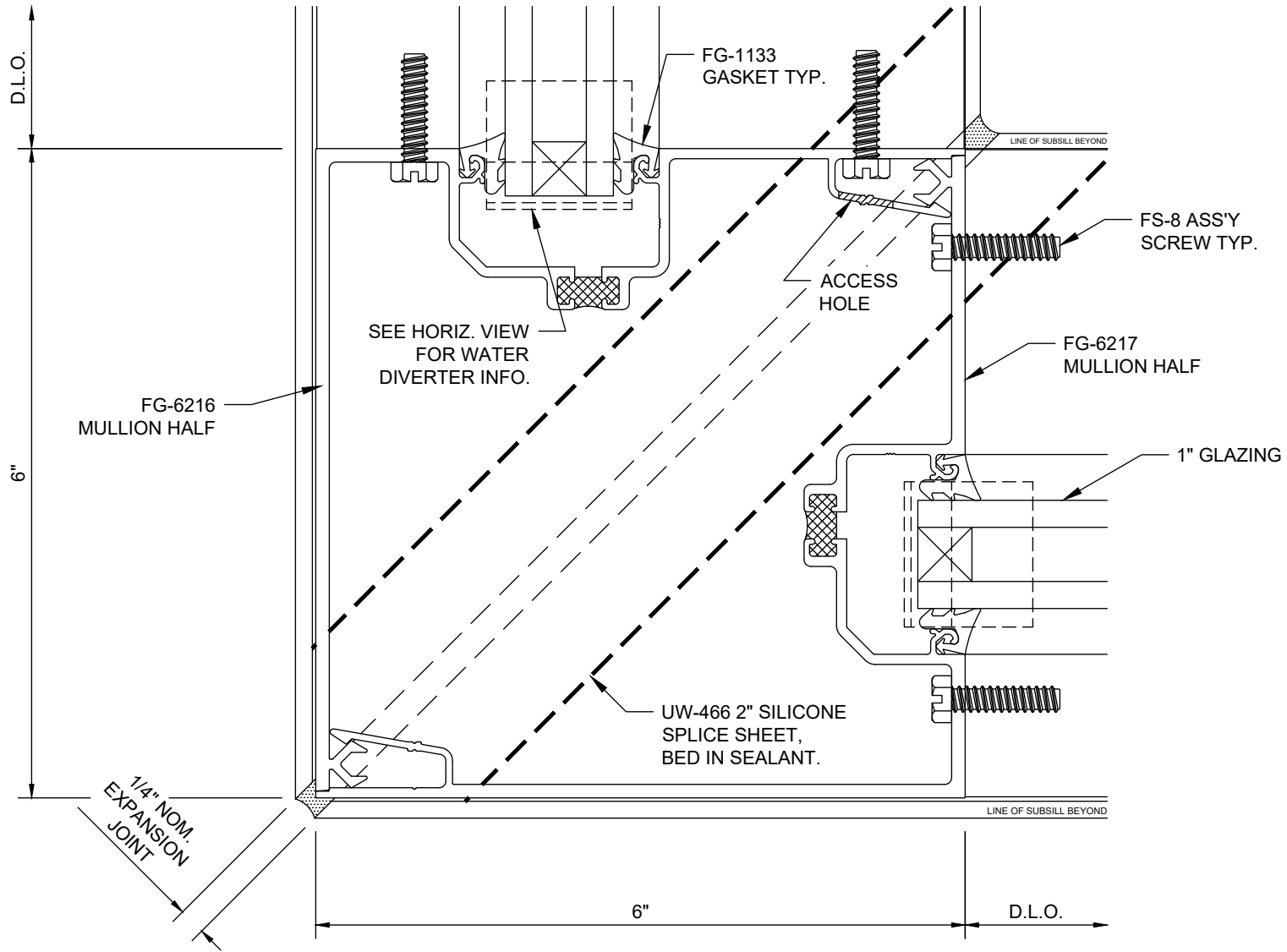
Series 6000 Thermal MultiPlane - Center Set Heavy Vertical - H9105



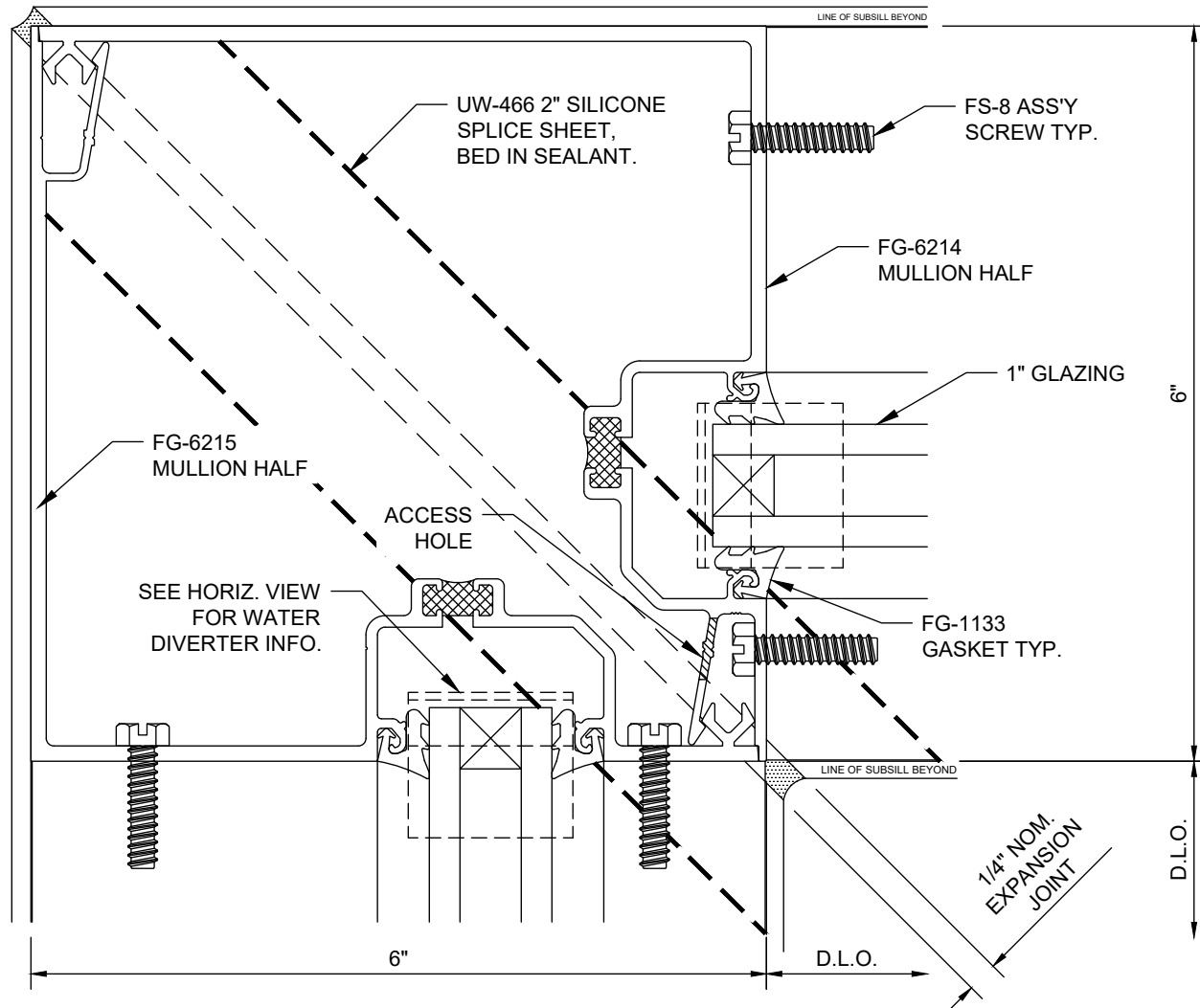
Series 6000 Thermal MultiPlane - Center Set Typical Vertical - H9106



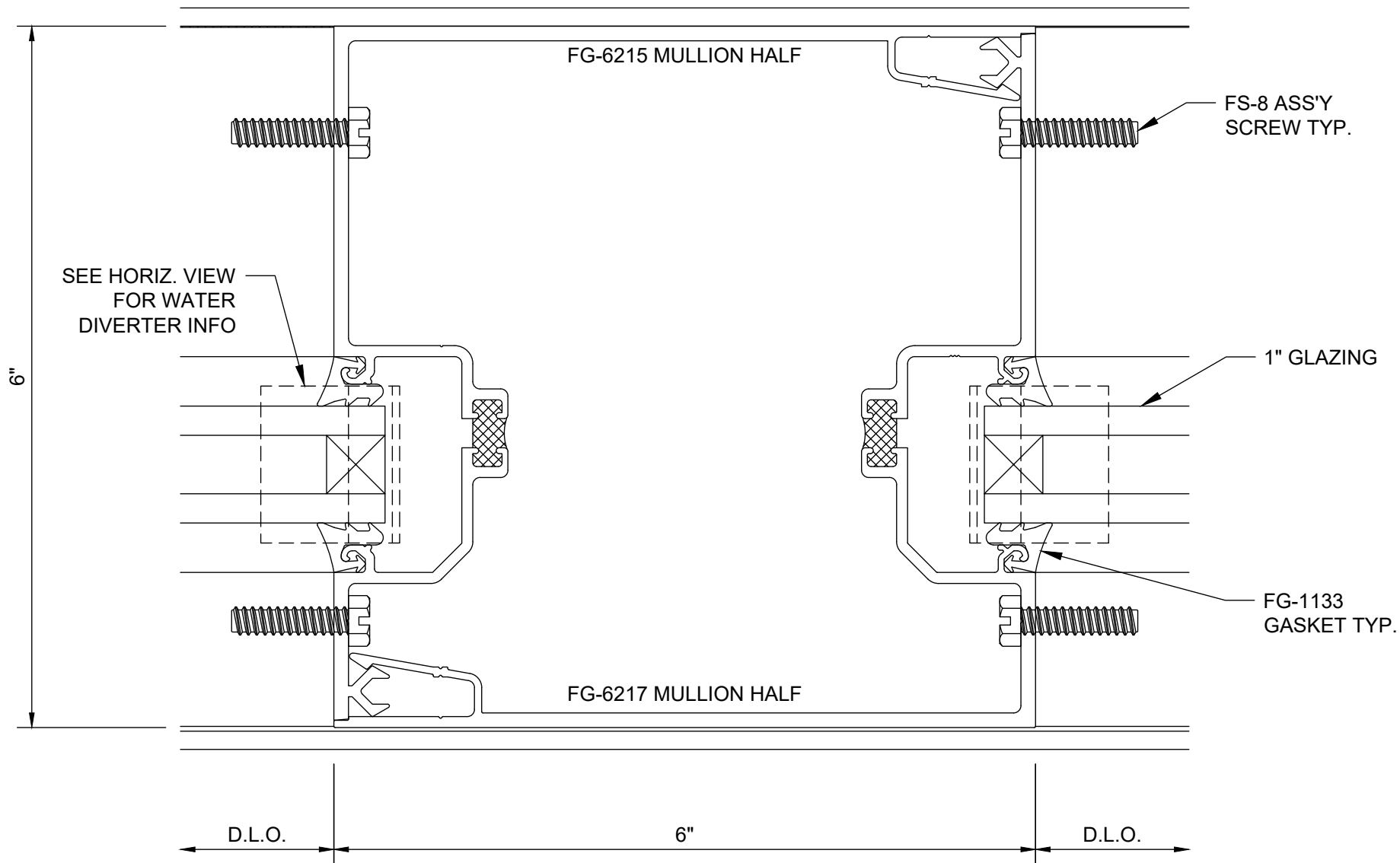
Series 6000 Thermal MultiPlane - Center Set Expansion Vertical - H9107



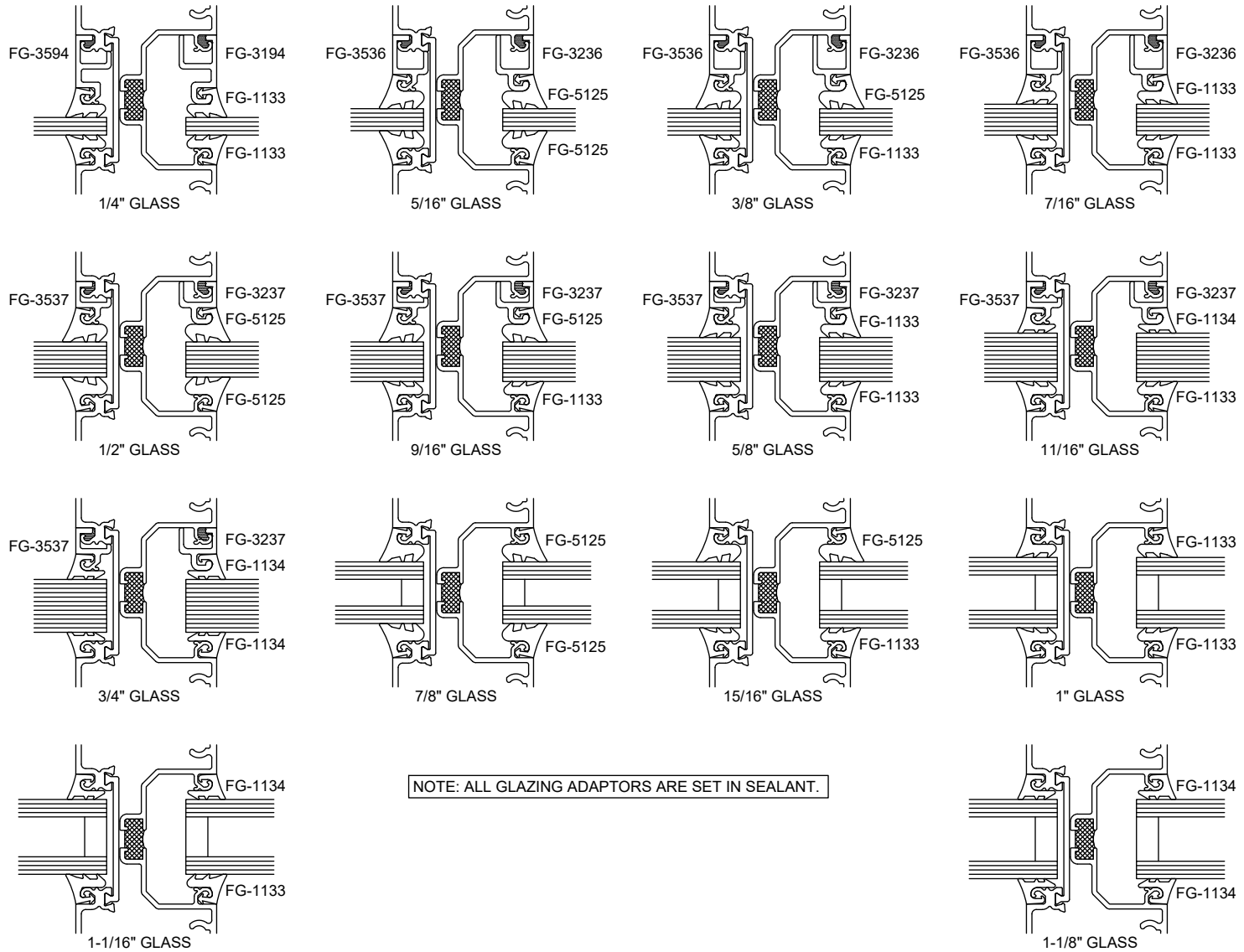
Series 6000 Thermal MultiPlane - Center Set
 90° Outside Corner - V9111



Series 6000 Thermal MultiPlane - Center Set
 90° Inside Corner - V9112

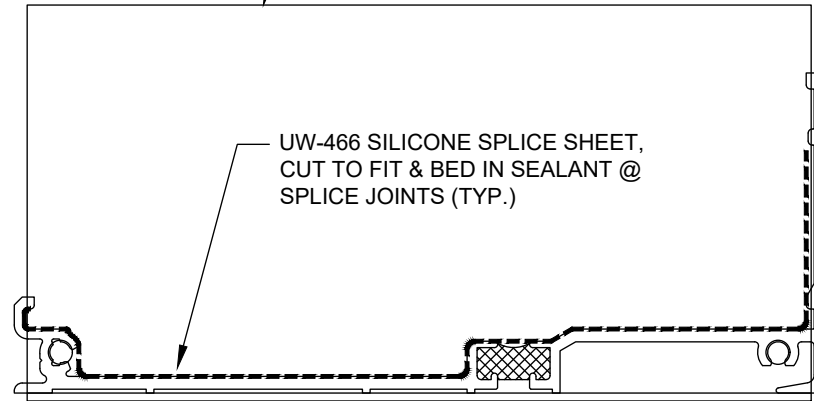


Series 6000 Thermal MultiPlane - Center Set
 180° Post - V9115

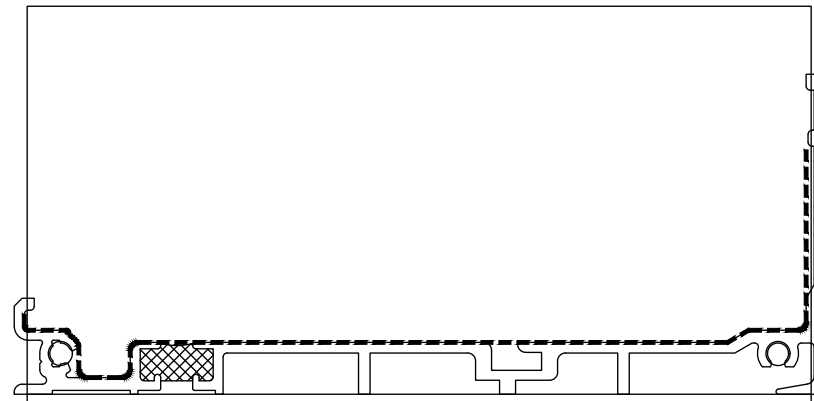


Series 3000/6000 Thermal MultiPlane - Center Set Glazing Options - M0948

AN-50-01 END DAM, TYPICAL FOR BOTH SUBSILL OPTIONS.
ATTACH W/ (2) FS-320 DRIVE PINS.



FG-6413 SUBSILL



FG-6533 SUBSILL

Series 6000 Thermal MultiPlane - Center Set Subsill Splice & End Dam - M9125