

Oldcastle BuildingEnvelope®

1-866-Oldcastle (653-2278) - www.obe.com

BRW-500 BlastMax®

Blast Resistant Window Wall w/ 1-5/16" Typical Infill

(Drawing numbers---i.e., V8301---used as CAD detail reference only)

Elevation

Horizontal Details

H8301	Head
H8302	Intermediate Horizontal
H8303	Sill

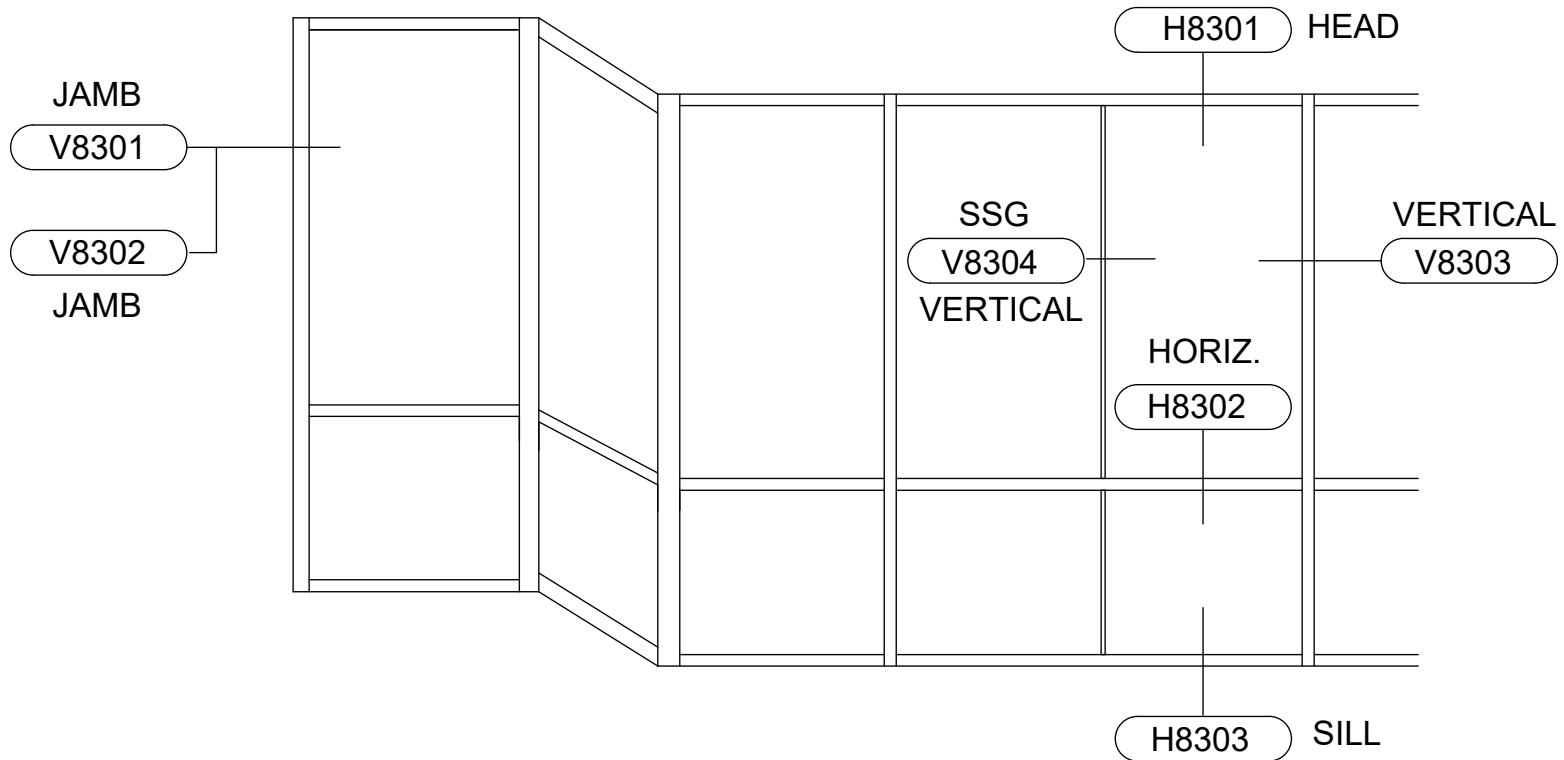
Vertical Details

V8301	Jamb
V8302	Jamb Option
V8303	Typical Vertical
V8304	SSG Vertical

Table of Contents

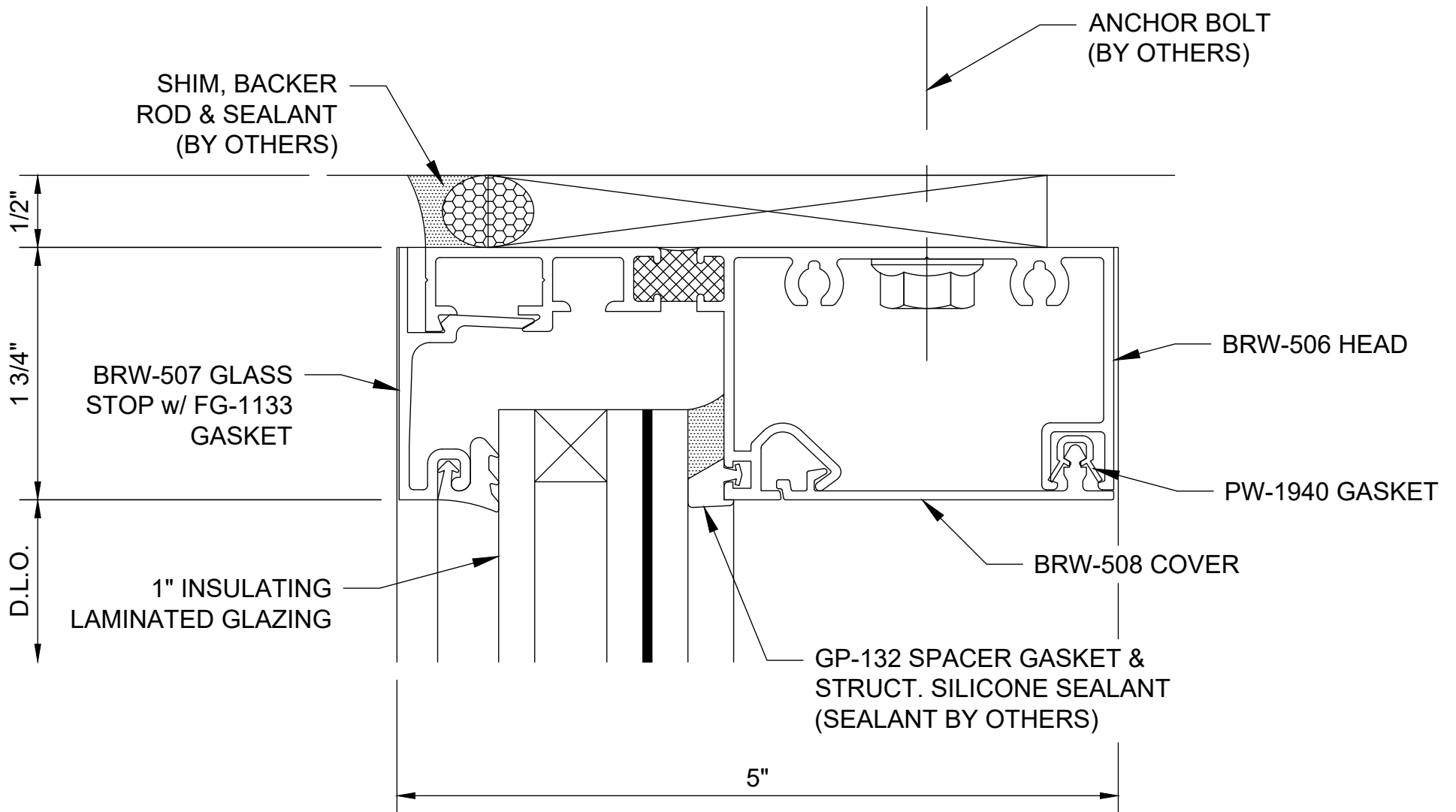
MODEL: ELEV-BR-BRW-500

BlastMax™ - BRW-500 BLAST RESISTANT WINDOW WALL
LAMINATED INSULATING GLAZING -PRE GLAZED

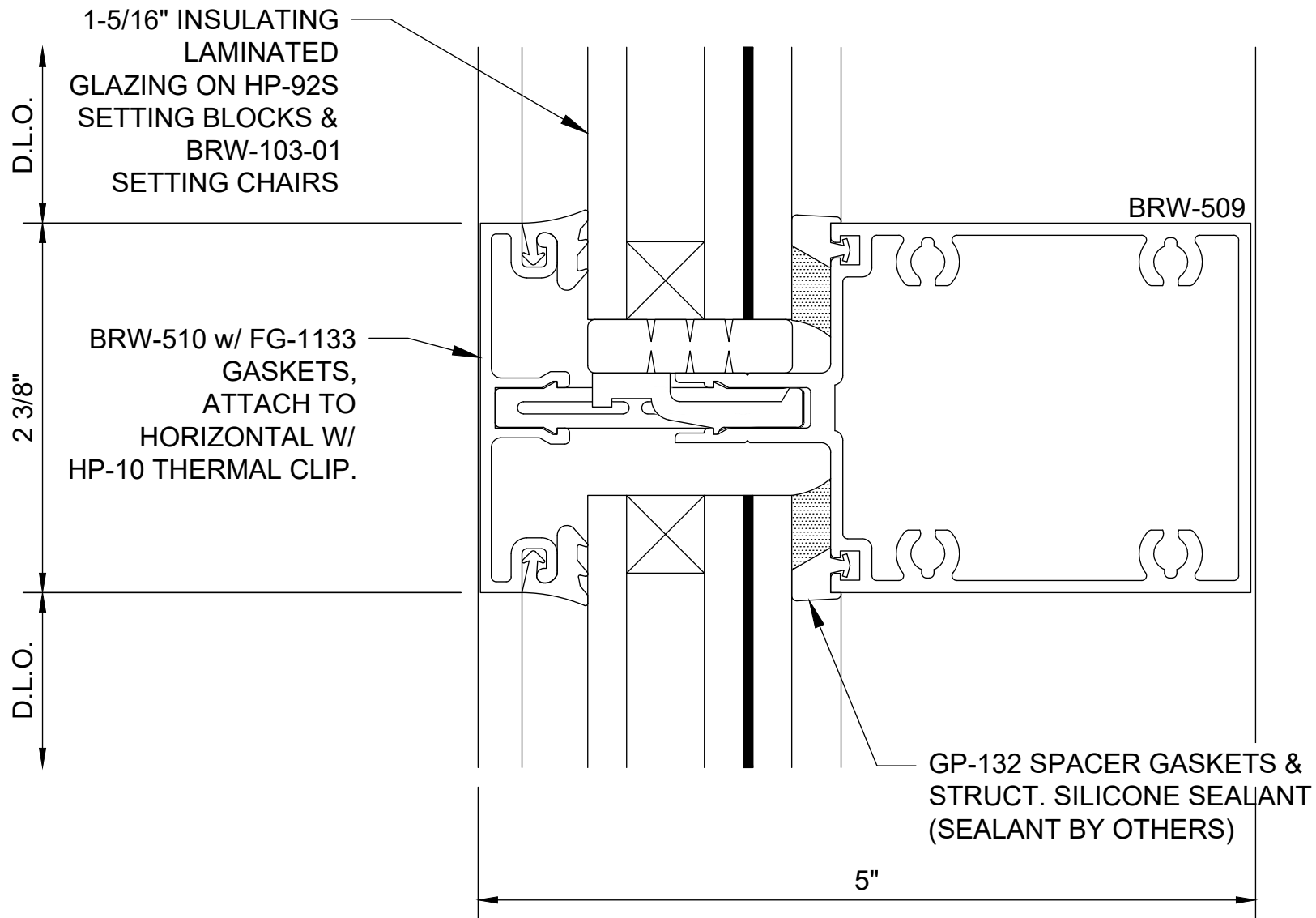


NOTE: FOR SPECIFIC PRODUCT APPLICATIONS CONTACT AN OLDCASTLE BUILDINGENVELOPE® REPRESENTATIVE

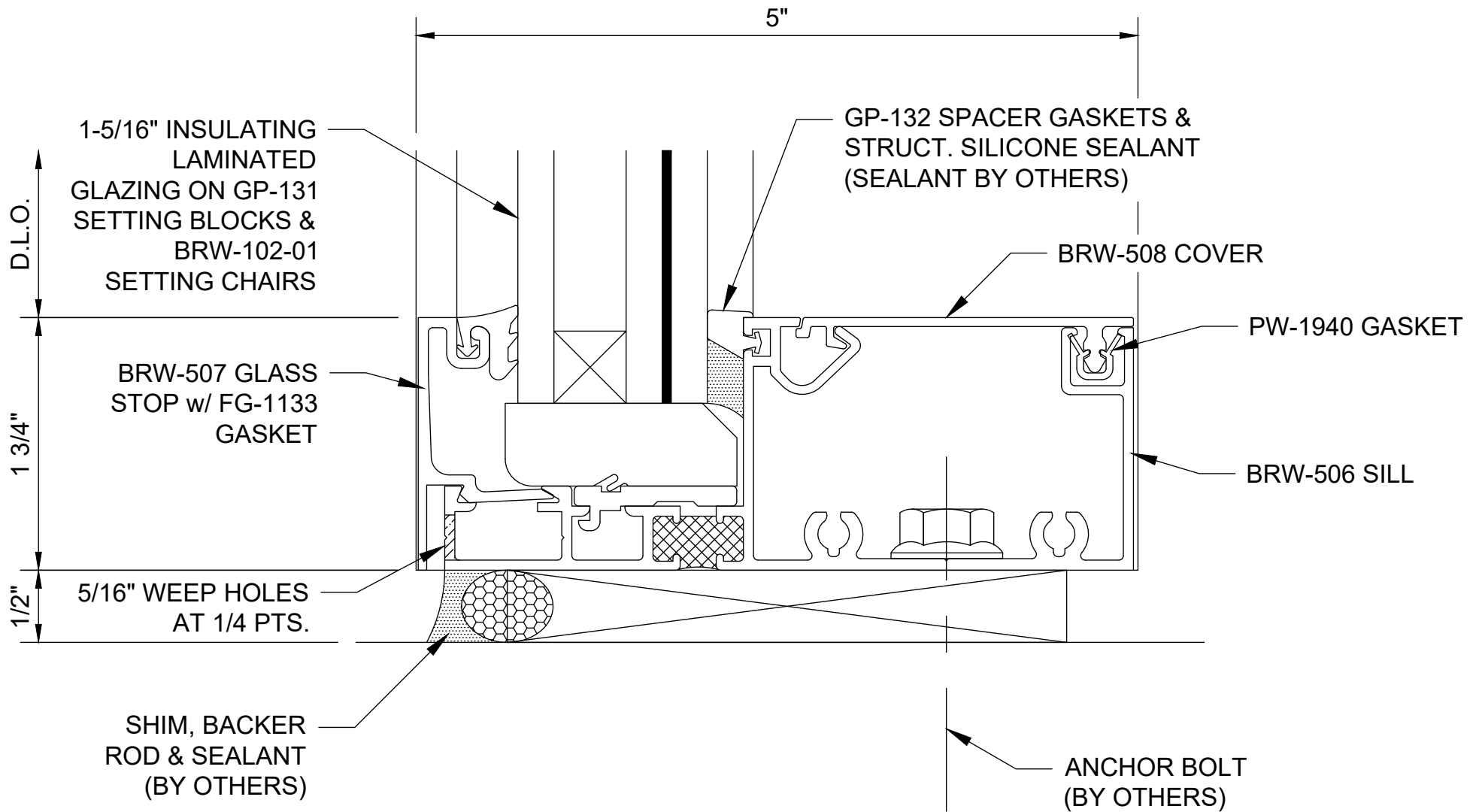
BRW-500 BlastMax® Blast Resistant Window Wall - Elevation



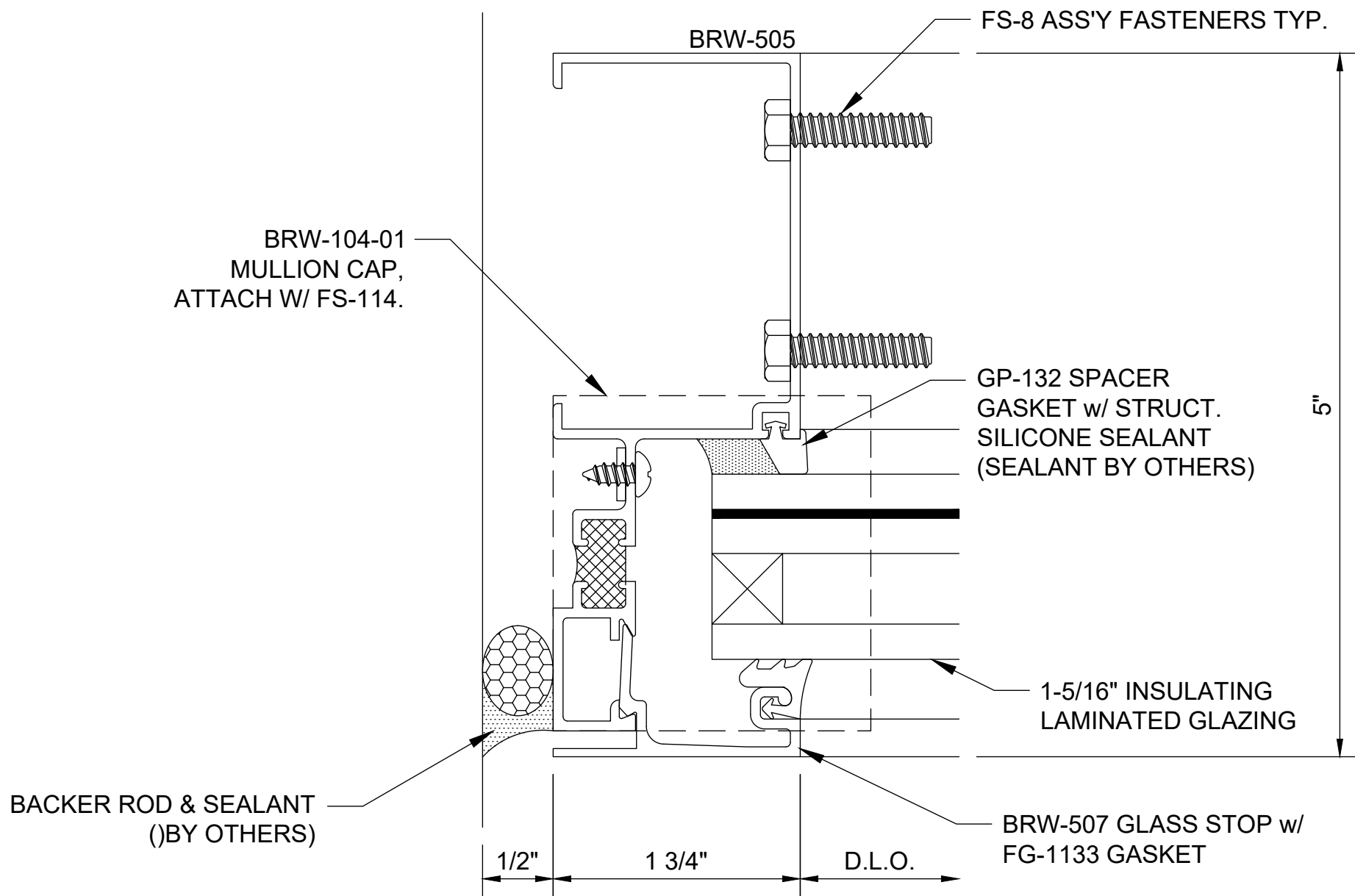
**BRW-500 BlastMax®
Head - H8301**



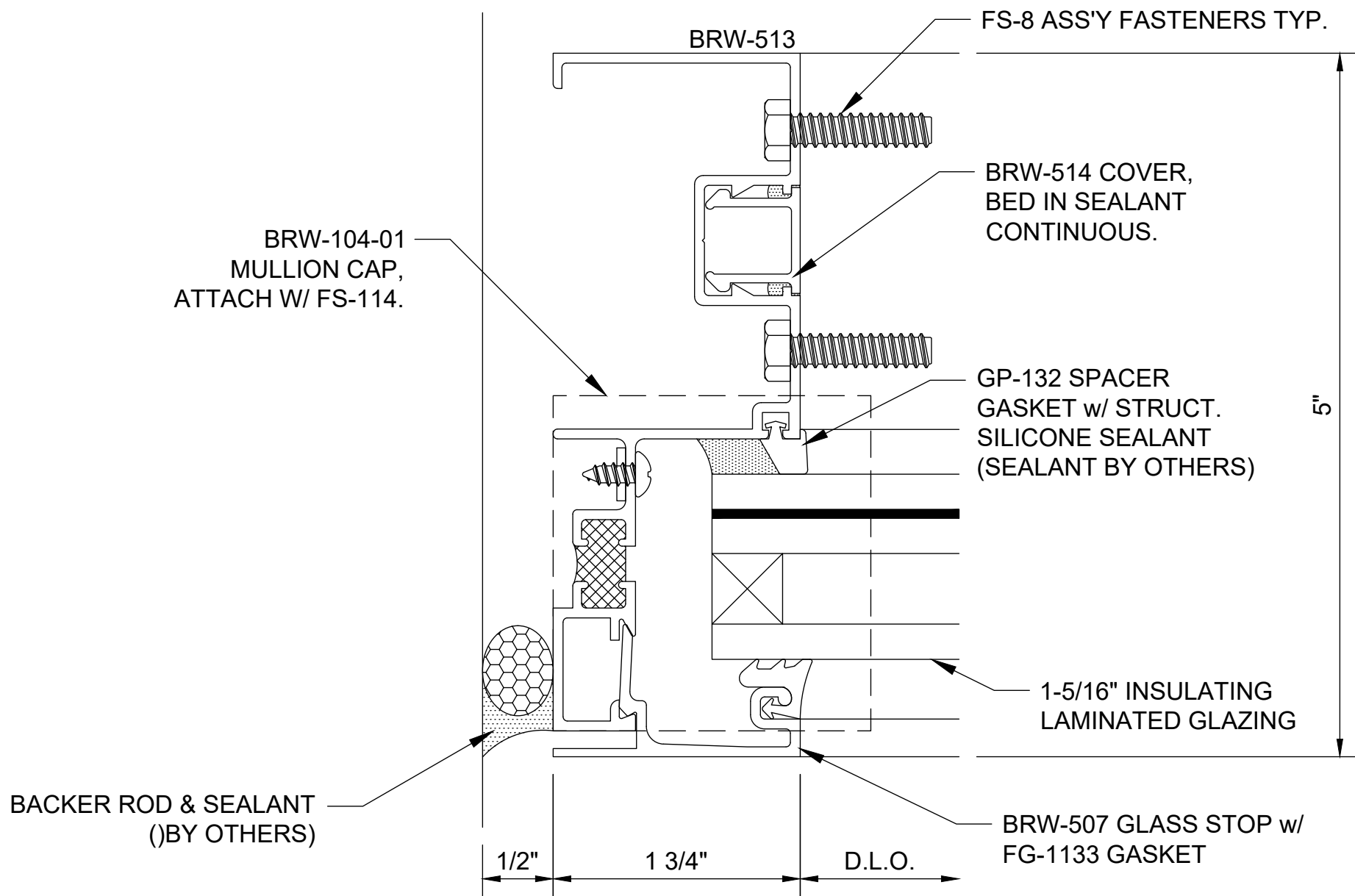
BRW-500 BlastMax®
Intermediate Horizontal - H8302



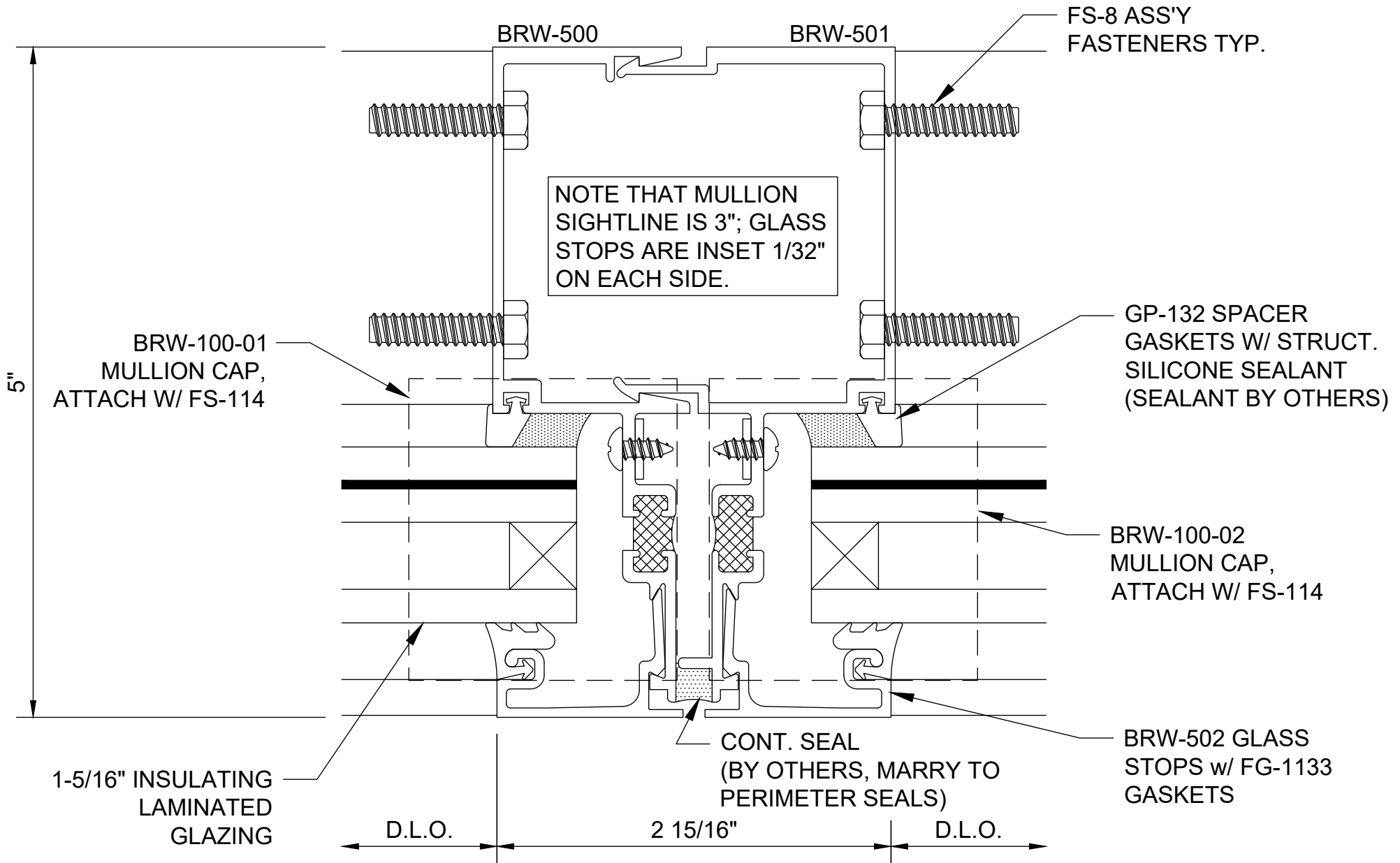
**BRW-500 BlastMax®
Sill - H8303**



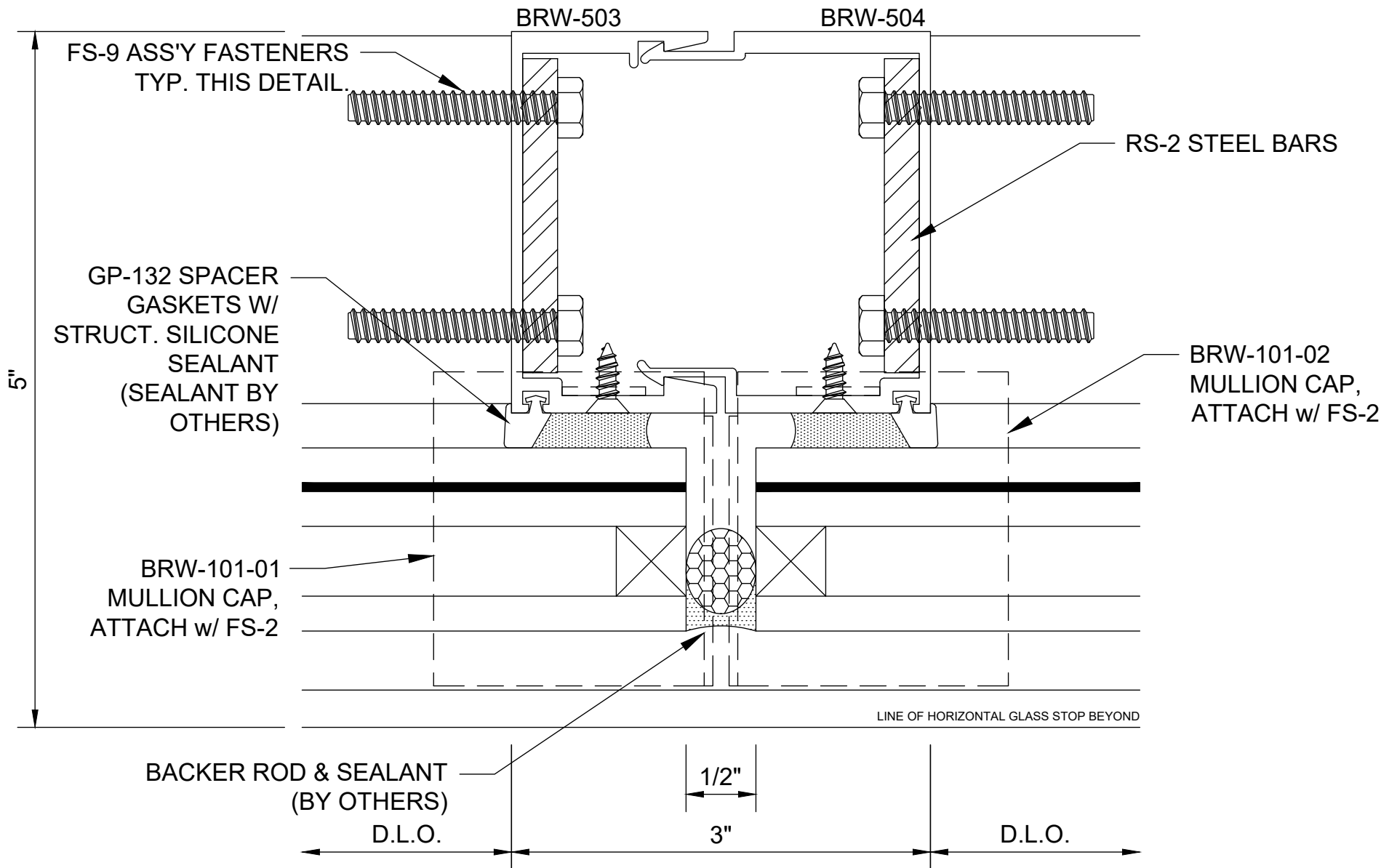
**BRW-500 BlastMax®
Jamb - V8301**



**BRW-500 BlastMax®
Jamb Option - V8302**



BRW-500 BlastMax®
Typical Vertical - V8303



**BRW-500 BlastMax®
SSG Vertical - V8304**