

Oldcastle BuildingEnvelope®

1-866-Oldcastle (653-2278) - www.obe.com

ArmorDefend™ Storefront - Wet Glazed 2" x 4-1/2" Center Set Storefront w/ 1" ArmorGarde™/ArmorGarde™ Plus Glazing

(Drawing numbers---i.e., V0801---used as CAD detail reference only)

Elevation

Horizontal Details

H0801	Head
H0804	Intermediate Horizontal
H0808	Sill

Vertical Details

V0801	Jamb
V0804	Typical Vertical
V0805	Heavy Vertical
V0806	Expansion Vertical

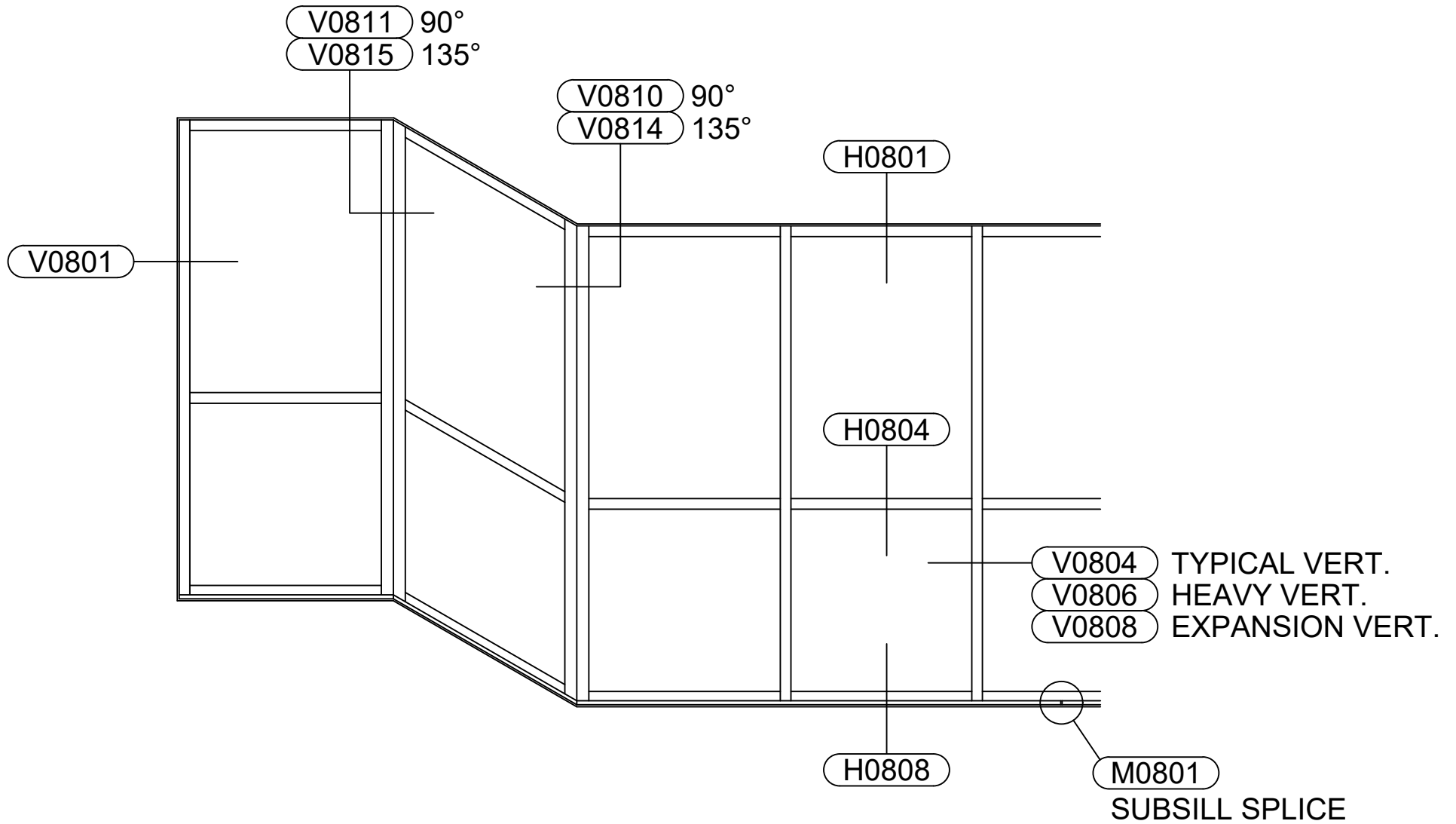
Corner Details

V0810	90° Outside Corner
V0811	90° Inside Corner
V0814	135° Outside Corner
V0815	135° Inside Corner

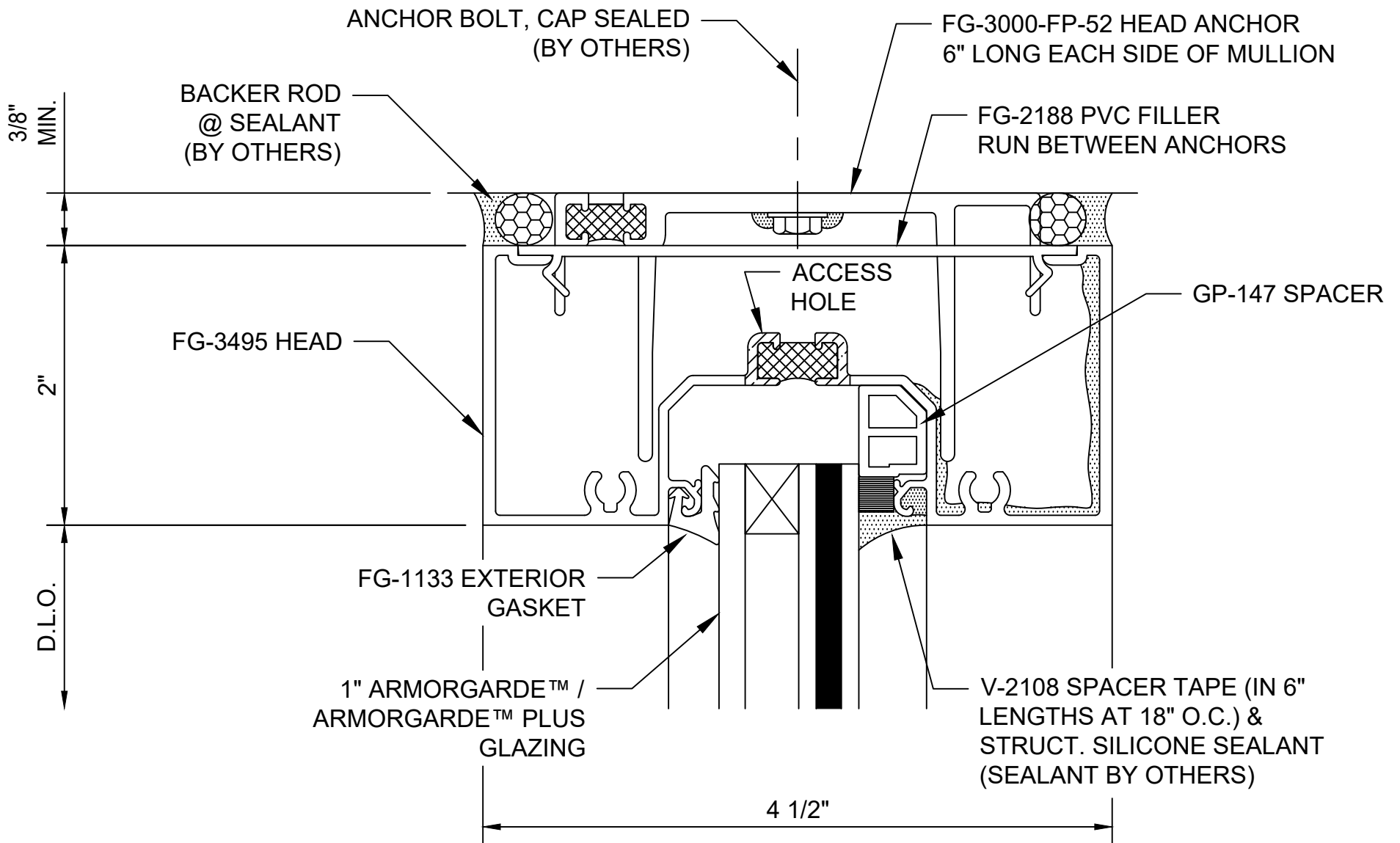
Misc. Details

M0801	Subsill Splicing
-------	------------------

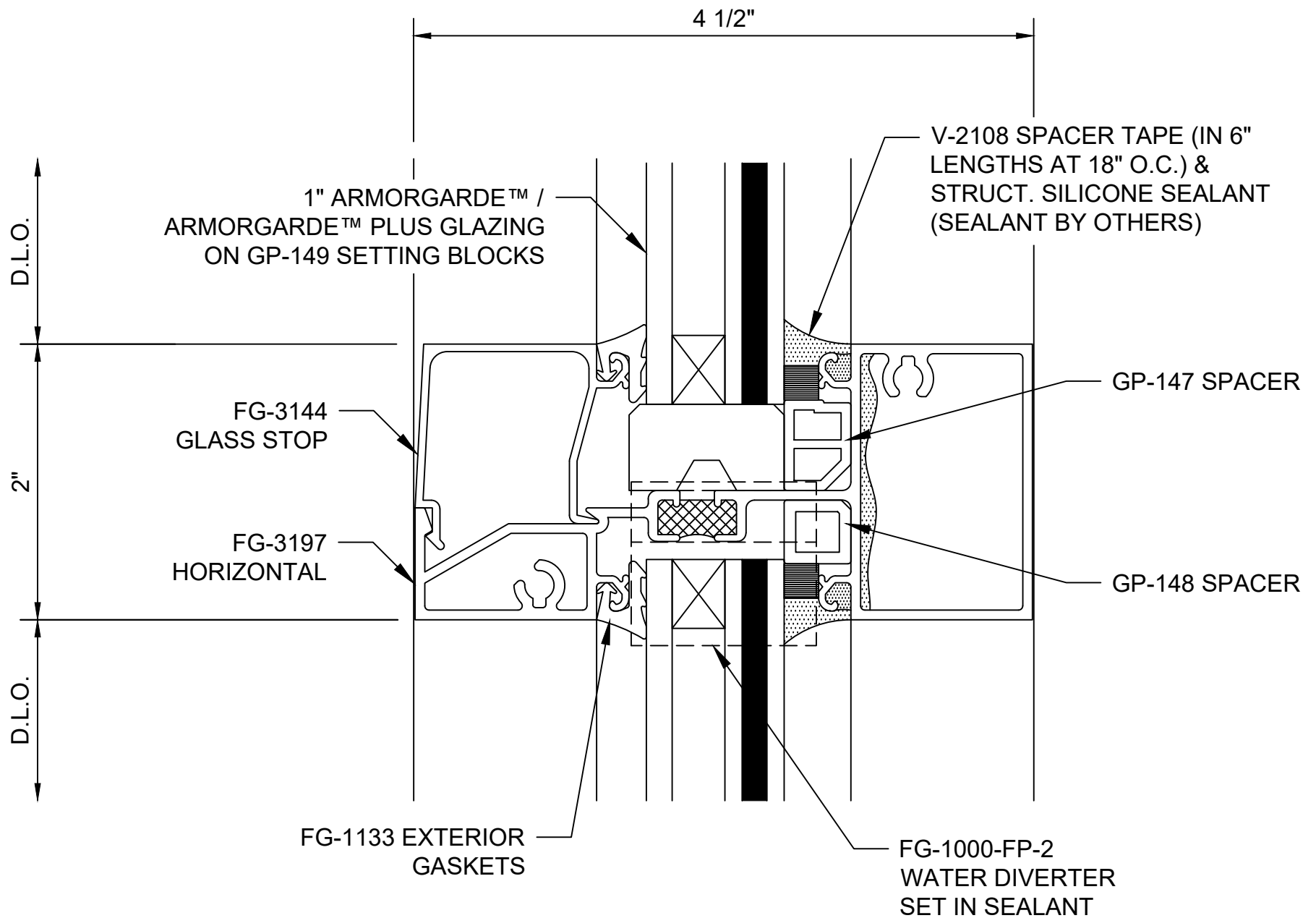
Table of Contents



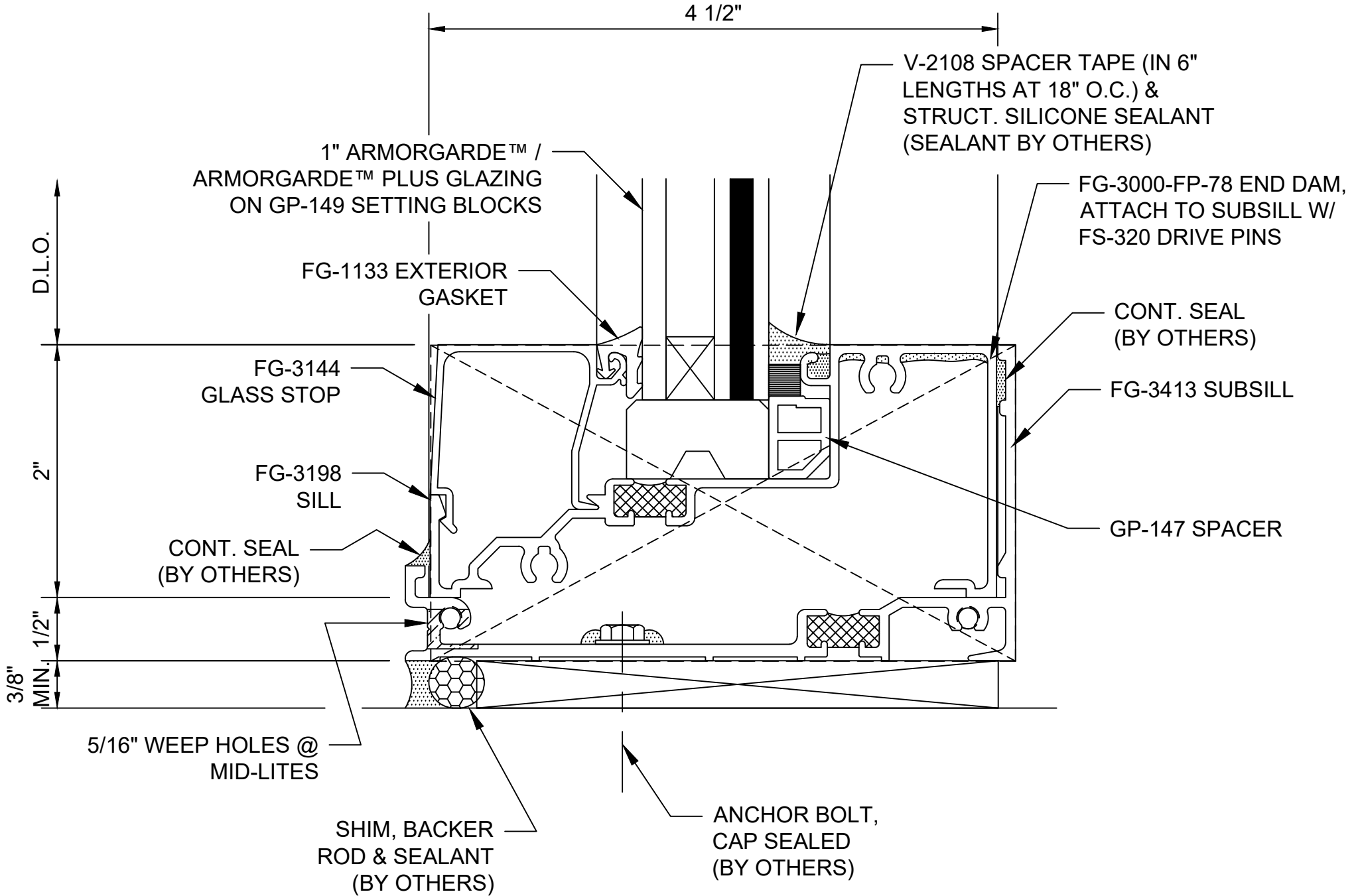
ArmorDefend™ - Wet Glazed
2" x 4-1/2" Center Set Storefront w/ 1" ArmorGarde™/ArmorGarde™ Plus Glazing - Elevation



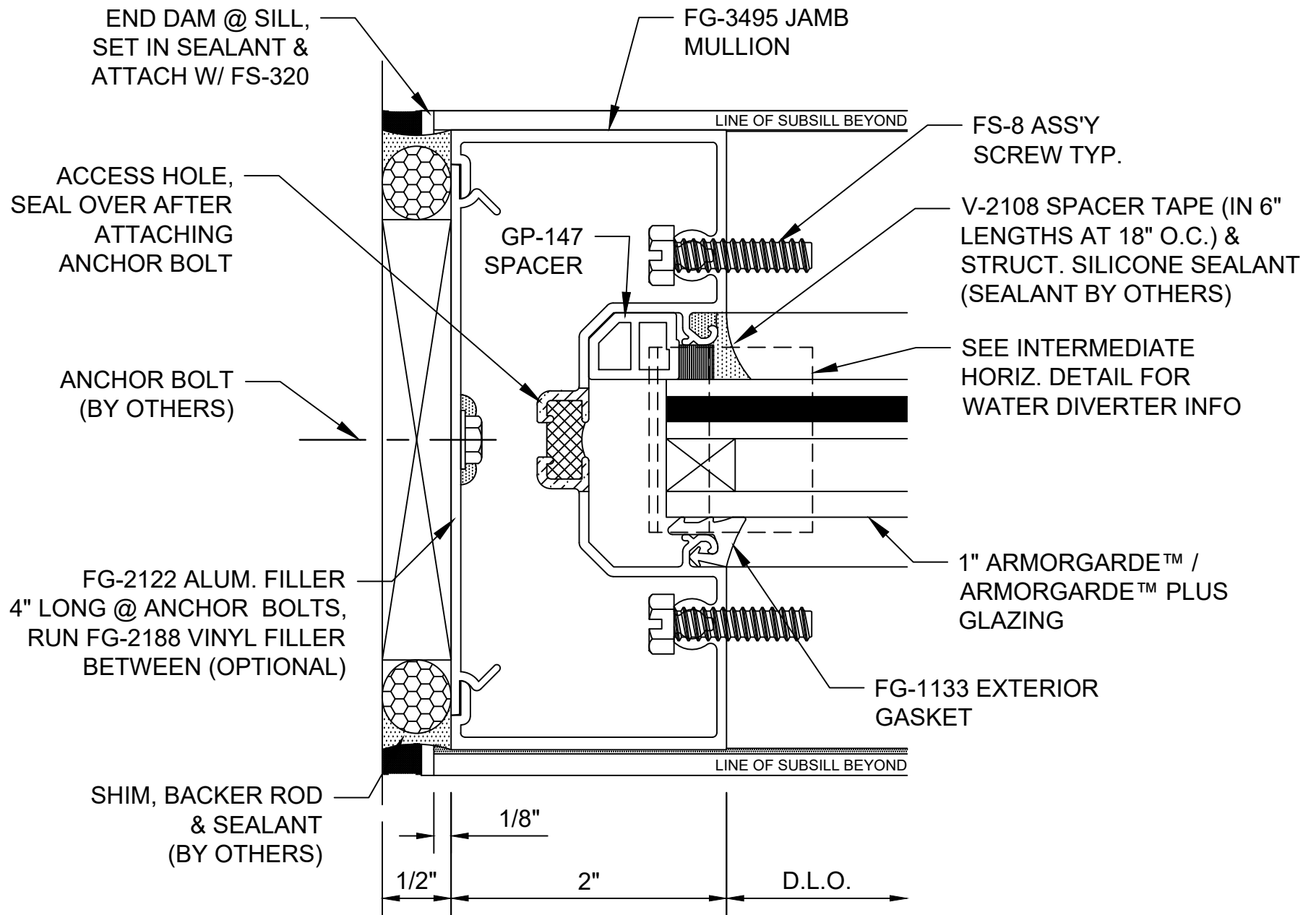
**ArmorDefend™ Storefront - Wet Glazed
Head - H0801**



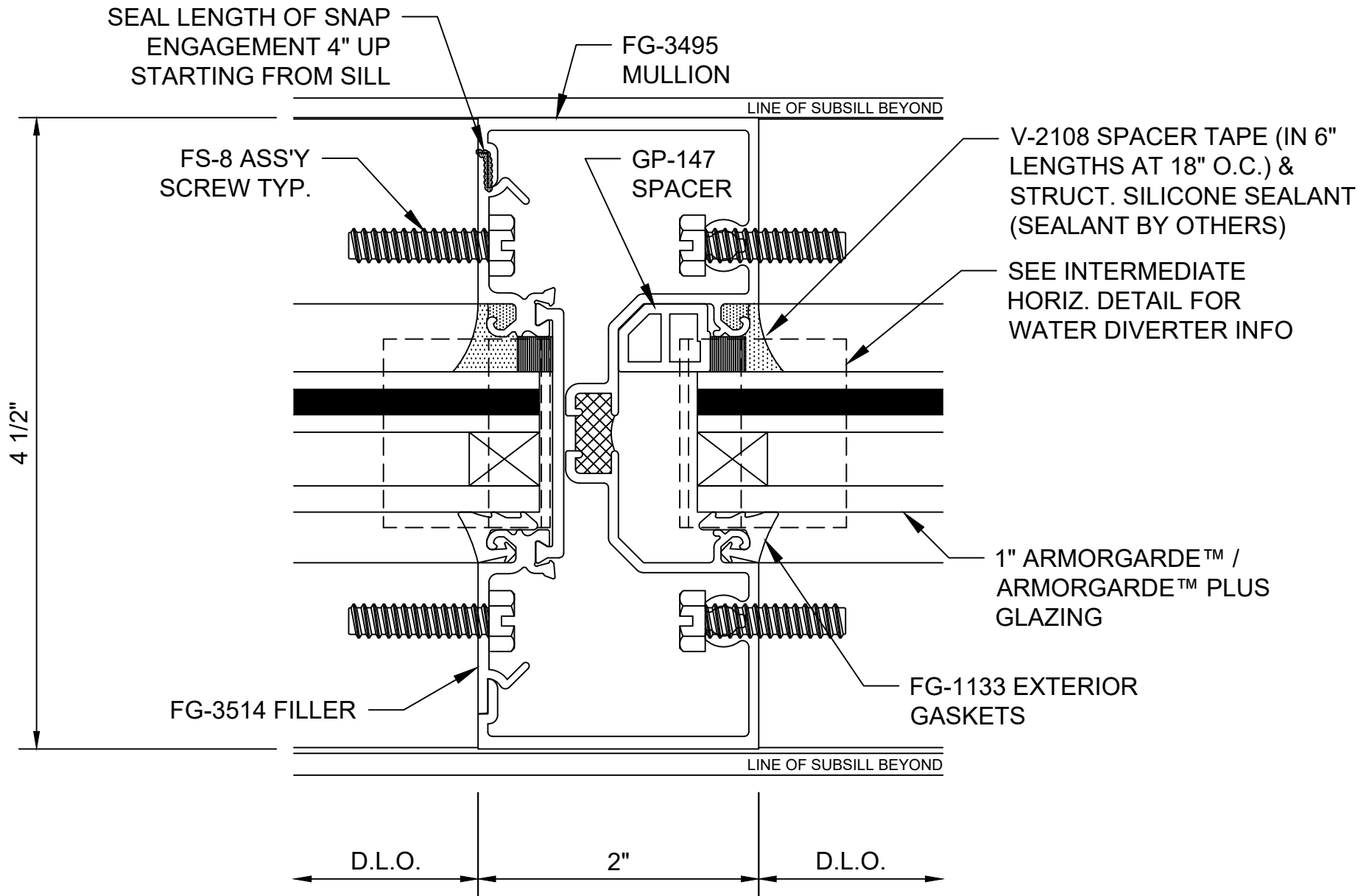
**ArmorDefend™ Storefront - Wet Glazed
Intermediate Horizontal - H0804**



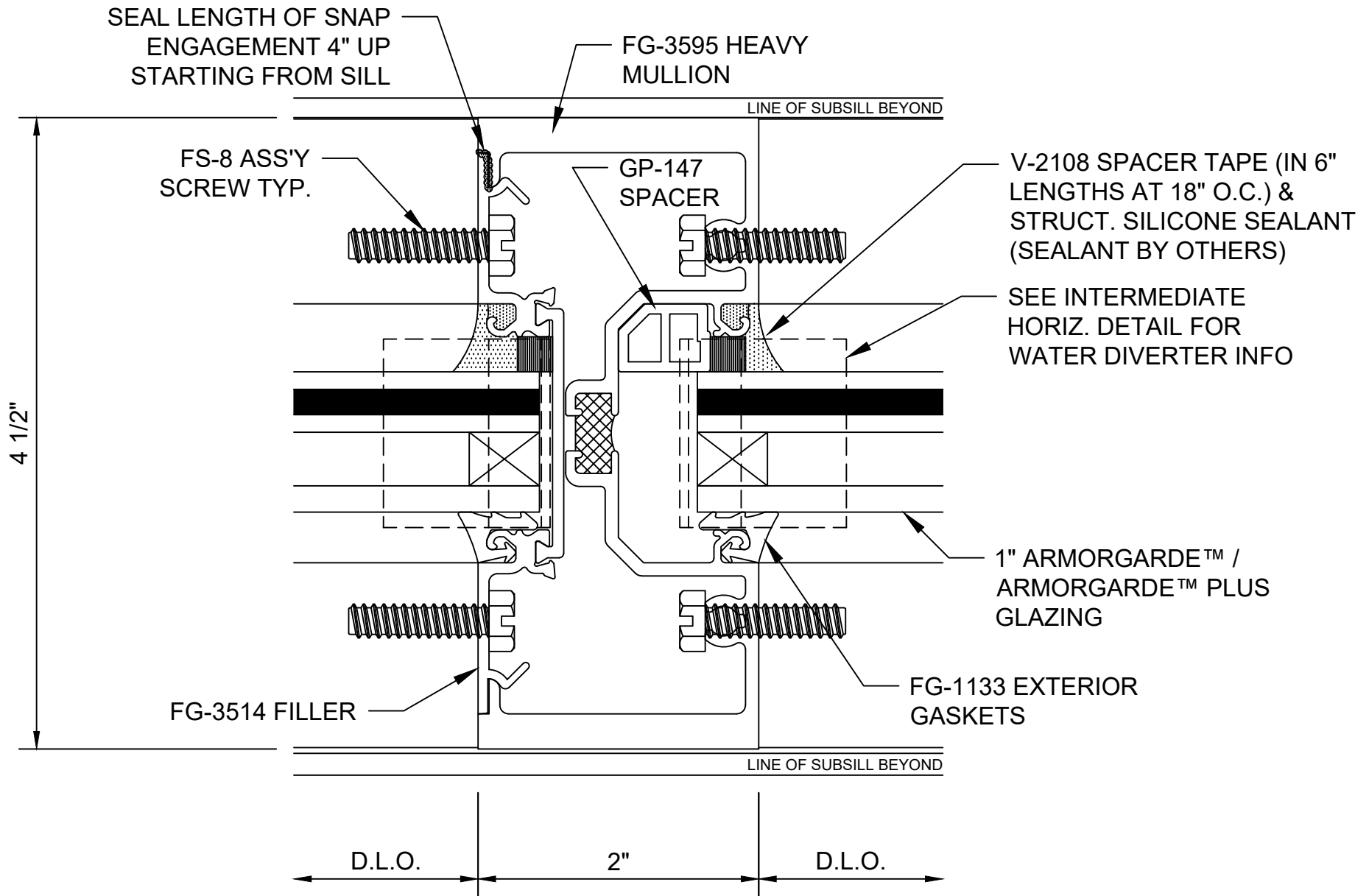
**ArmorDefend™ Storefront - Wet Glazed
Sill - H0808**



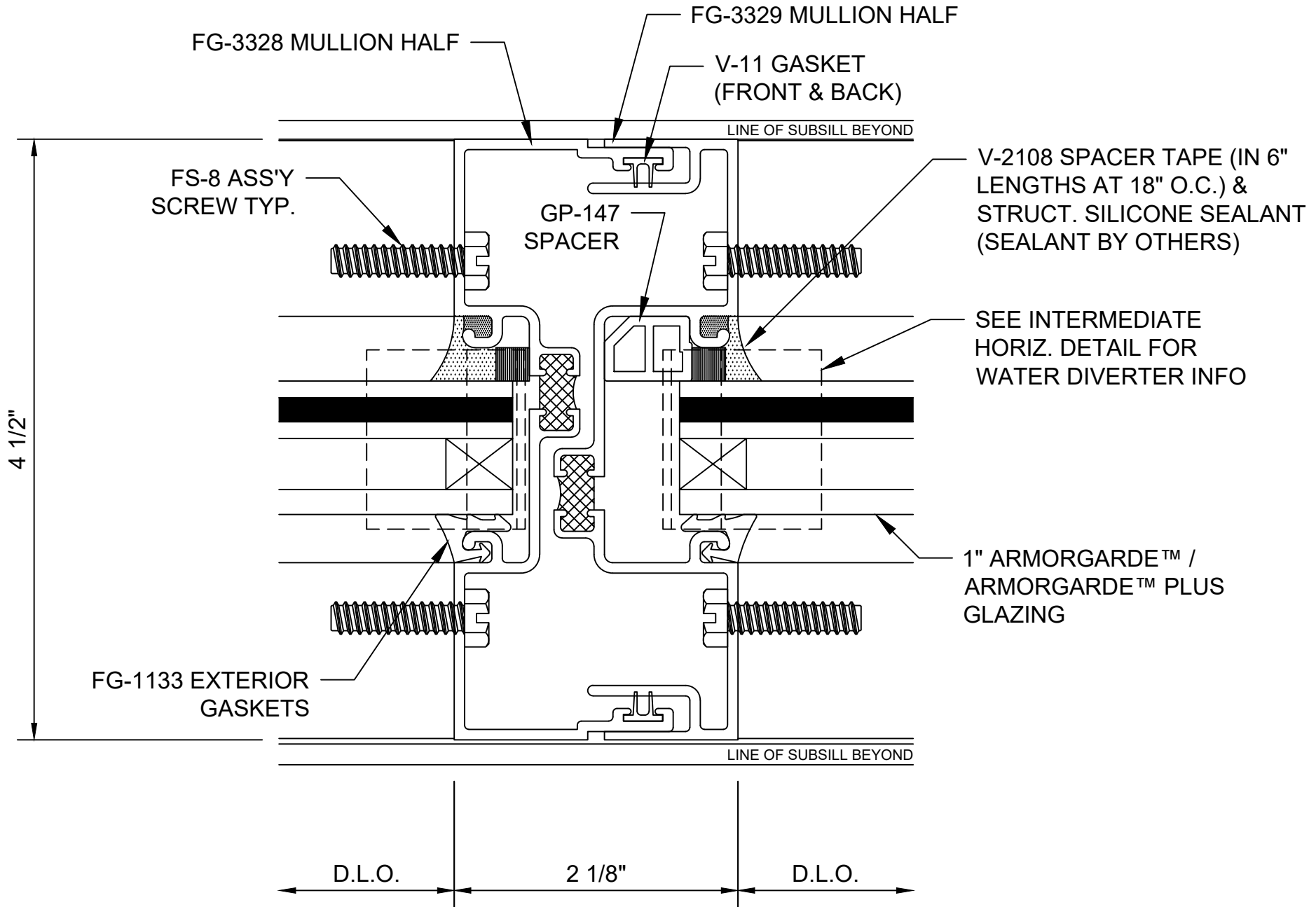
ArmorDefend™ Storefront - Wet Glazed Jamb - V0801



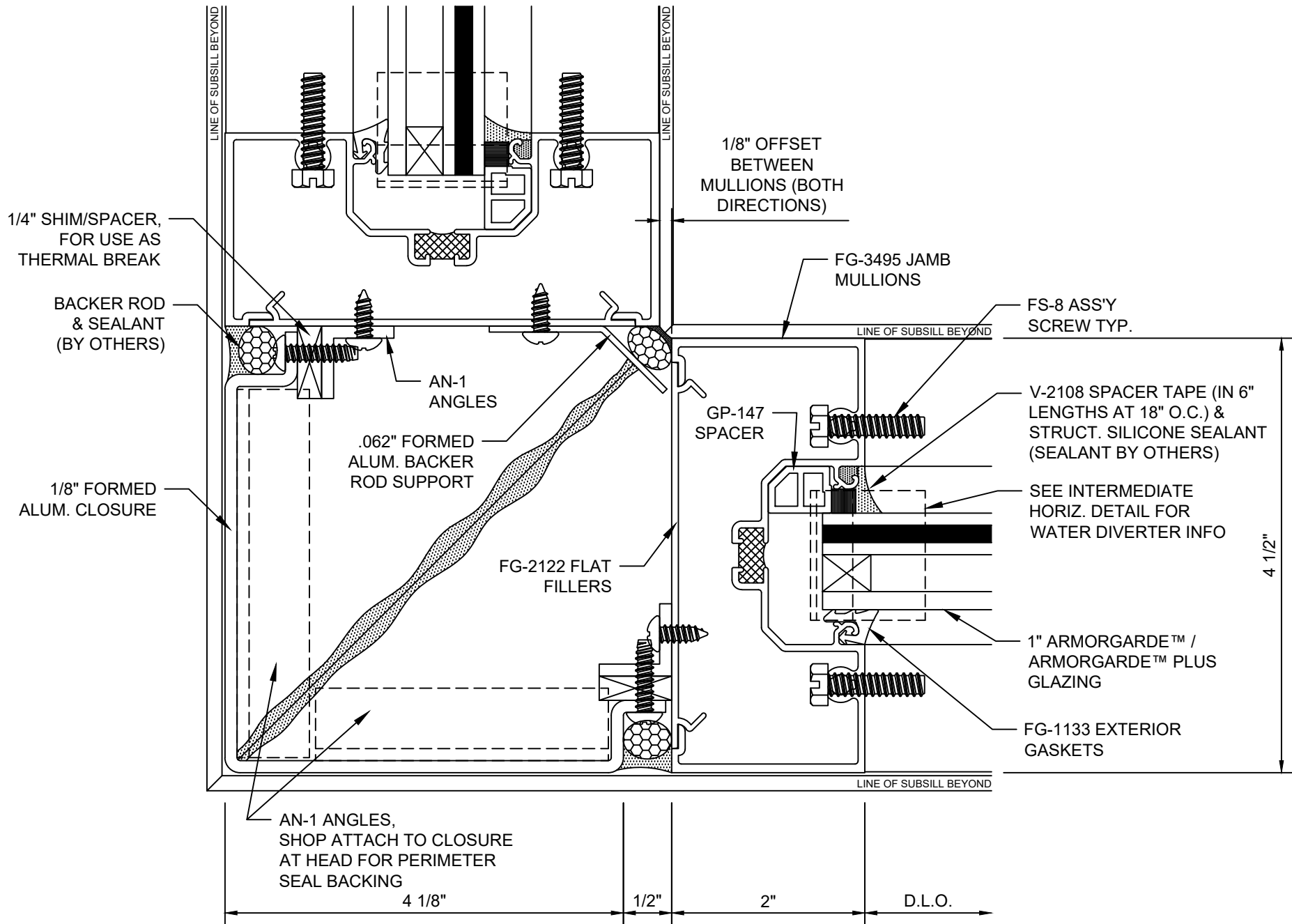
ArmorDefend™ Storefront - Wet Glazed
Typical Vertical - V0804



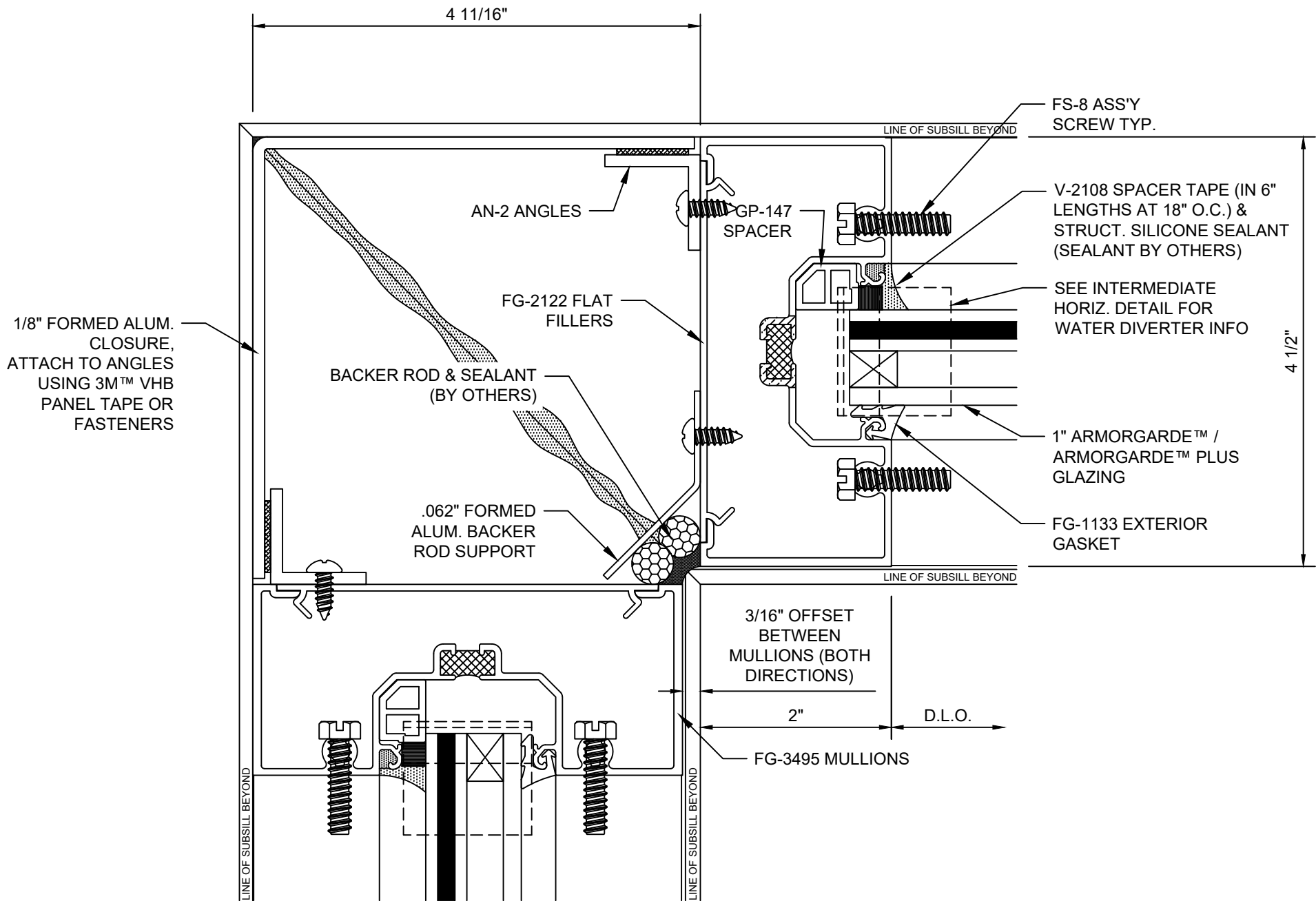
**ArmorDefend™ Storefront - Wet Glazed
Heavy Duty Vertical - V0806**



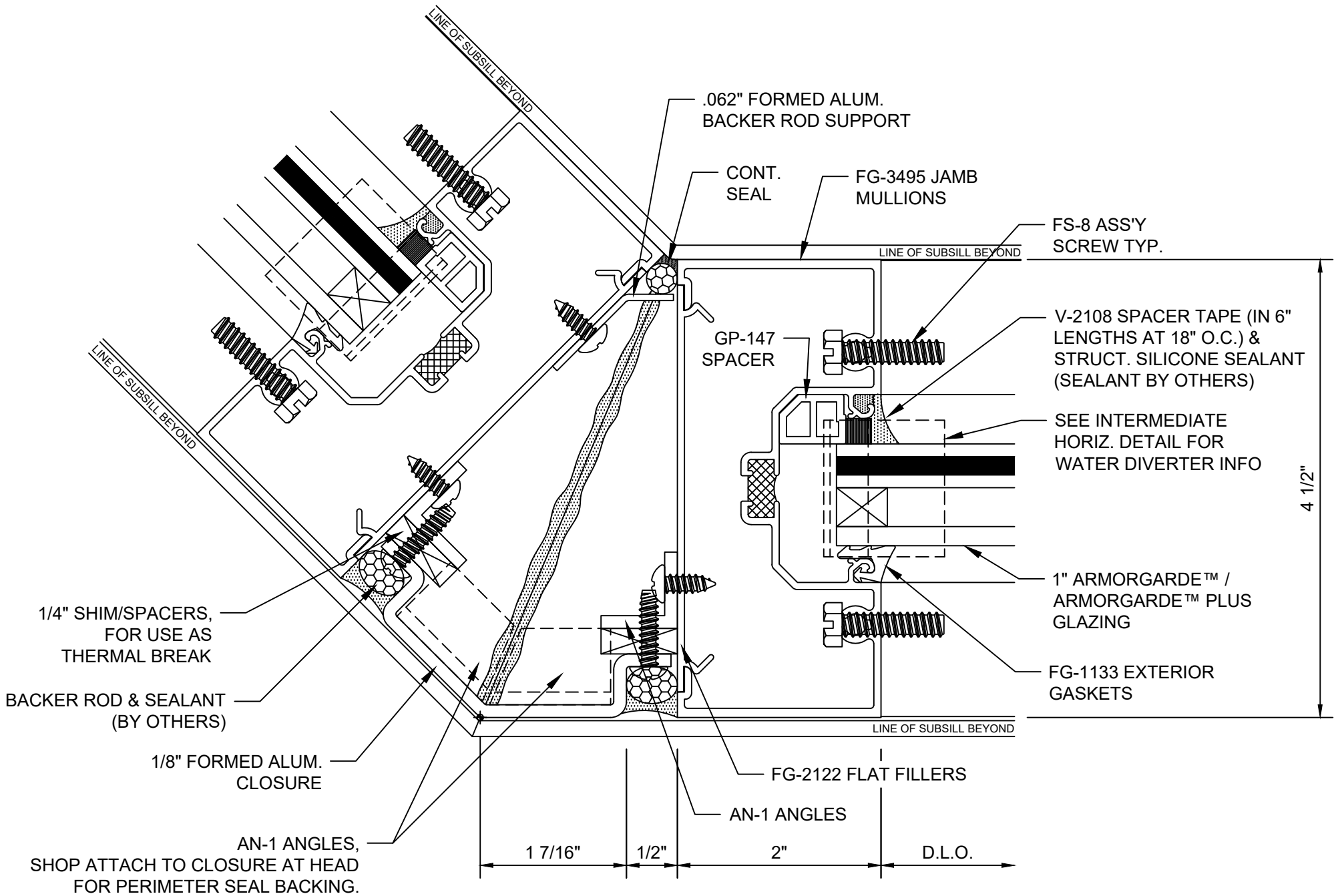
**ArmorDefend™ Storefront - Wet Glazed
Expansion Vertical - V0808**



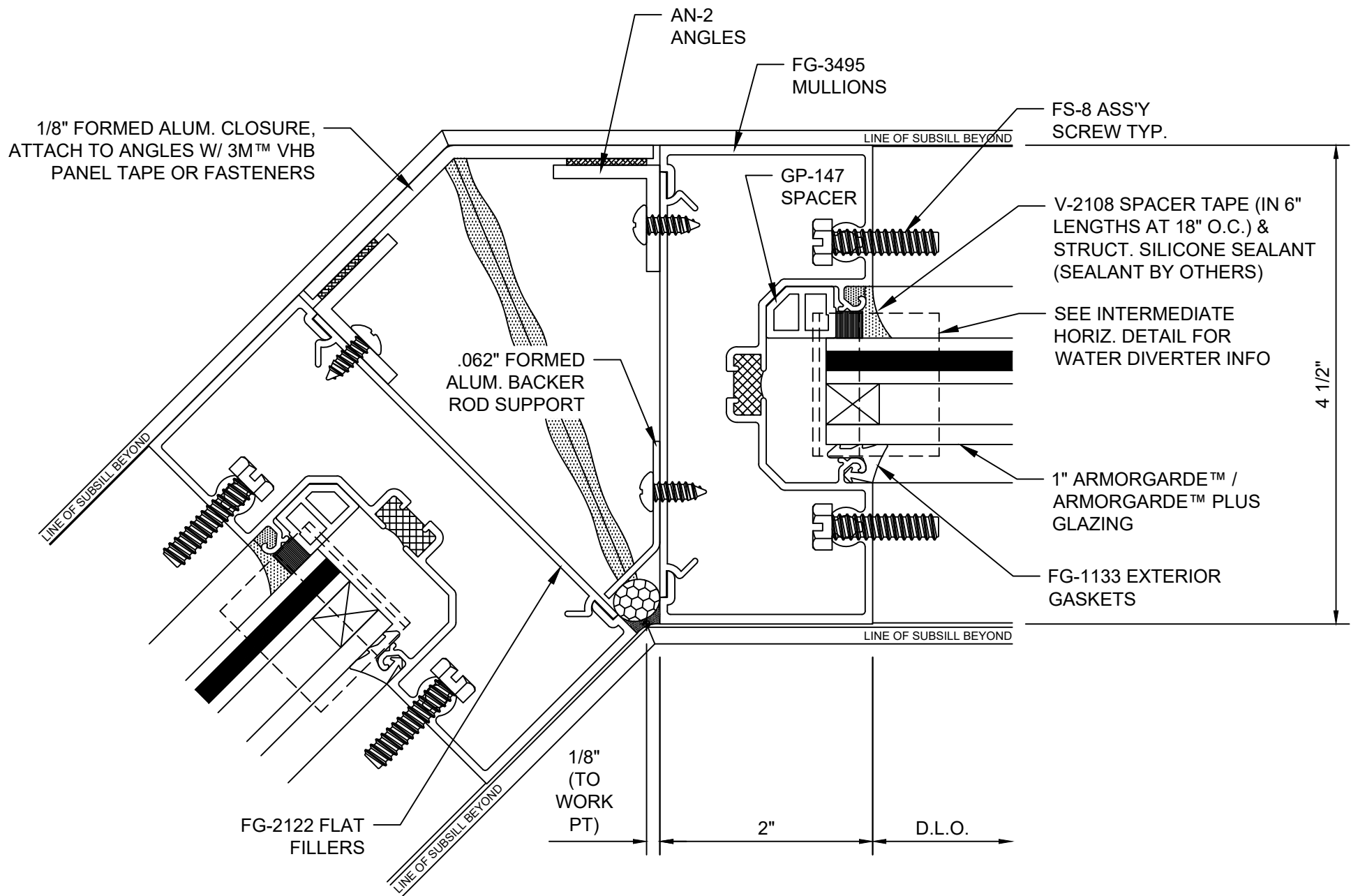
ArmorDefend™ Storefront - Wet Glazed 90° Outside Corner - V0810



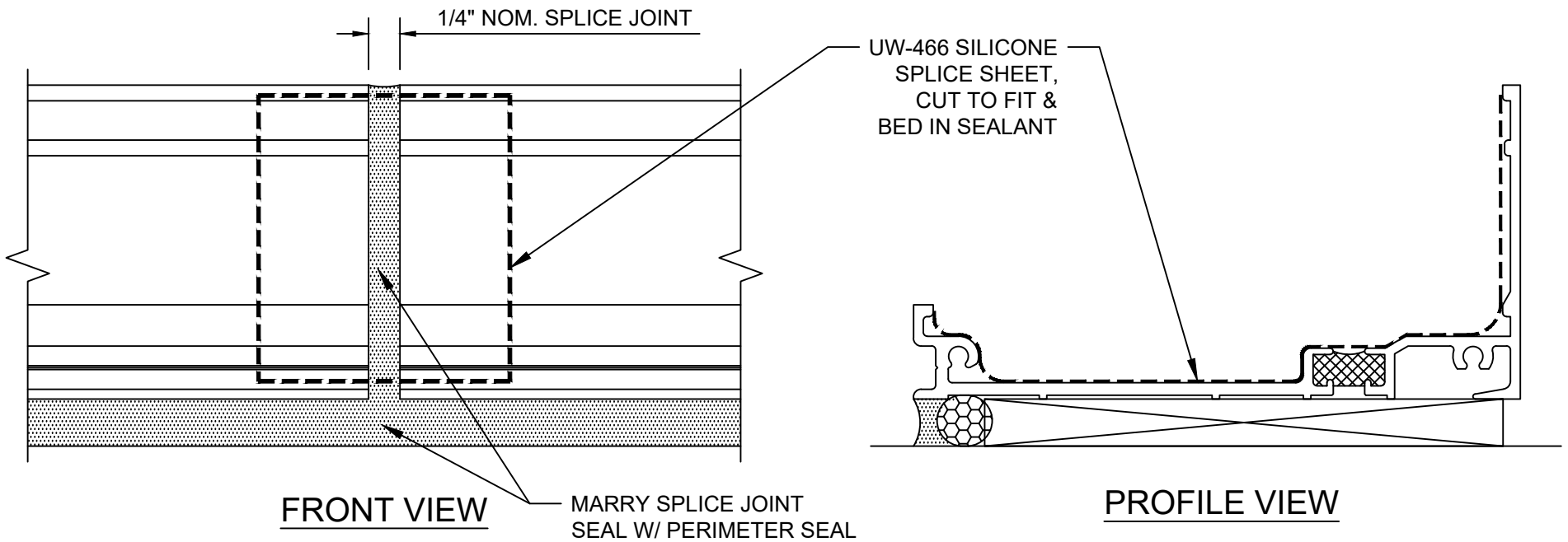
ArmorDefend™ Storefront - Wet Glazed 90° Inside Corner - V0811



ArmorDefend™ Storefront - Wet Glazed
135° Outside Corner - V0814



**ArmorDefend™ Storefront - Wet Glazed
135° Inside Corner - V0815**



ArmorDefend™ Storefront - Wet Glazed
Subsill Splice - M0801