

Oldcastle BuildingEnvelope®

1-866-Oldcastle (653-2278) - www.obe.com

ArmorDefend™ Storefront - Dry Glazed 2" X 4-1/2" Center Set Storefront w/ 1" ArmorGarde™ / ArmorGarde™ Plus Glazing

(Drawing numbers---i.e., V0831---used as CAD detail reference only)

Elevation

Horizontal Details

H0831	Head
H0834	Intermediate Horizontal
H0838	Sill

Vertical Details

V0831	Jamb
V0834	Typical Vertical
V0835	Heavy Vertical
V0836	Expansion Vertical

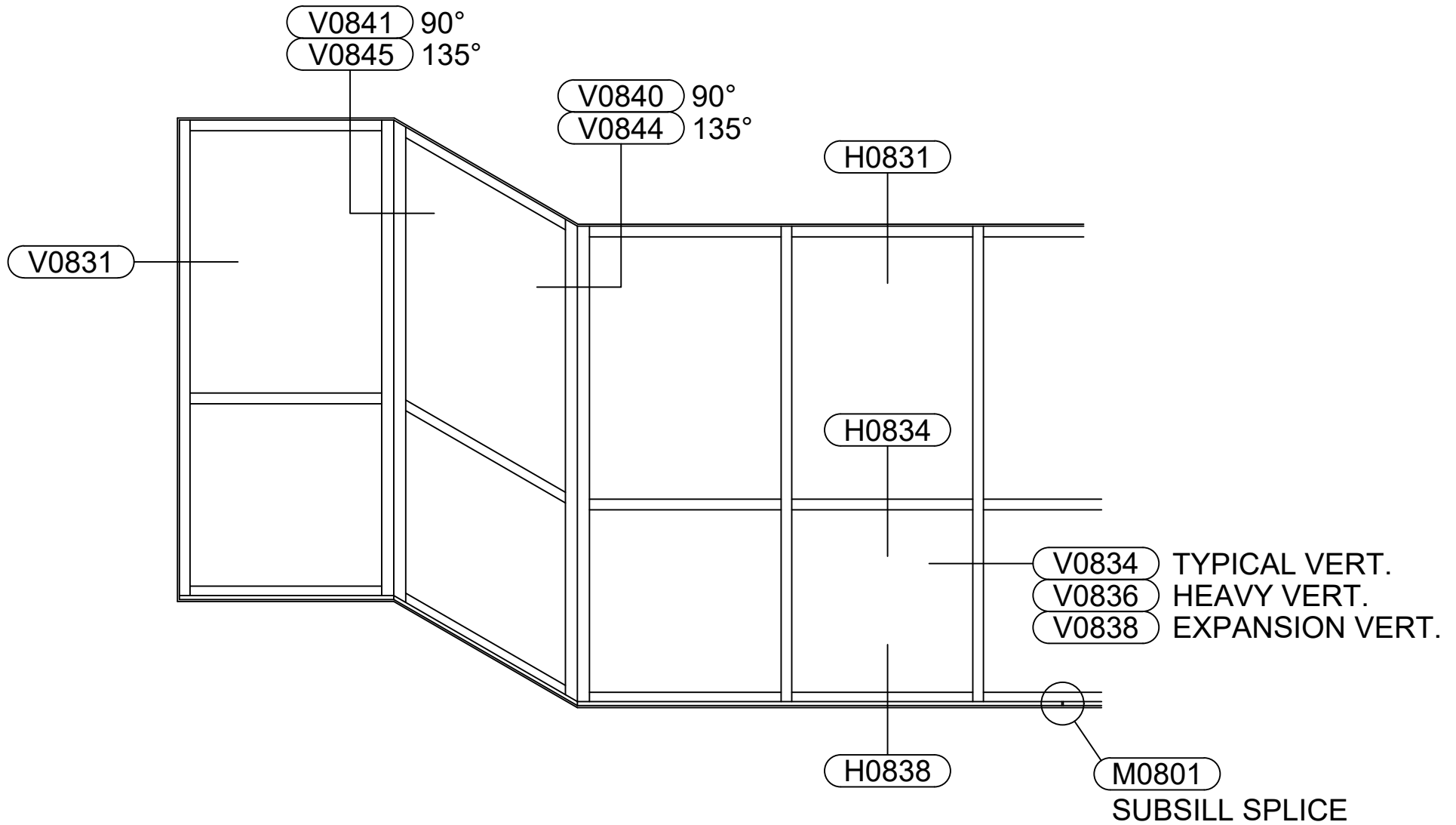
Corner Details

V0840	90° Outside Corner
V0841	90° Inside Corner
V0844	135° Outside Corner
V0845	135° Inside Corner

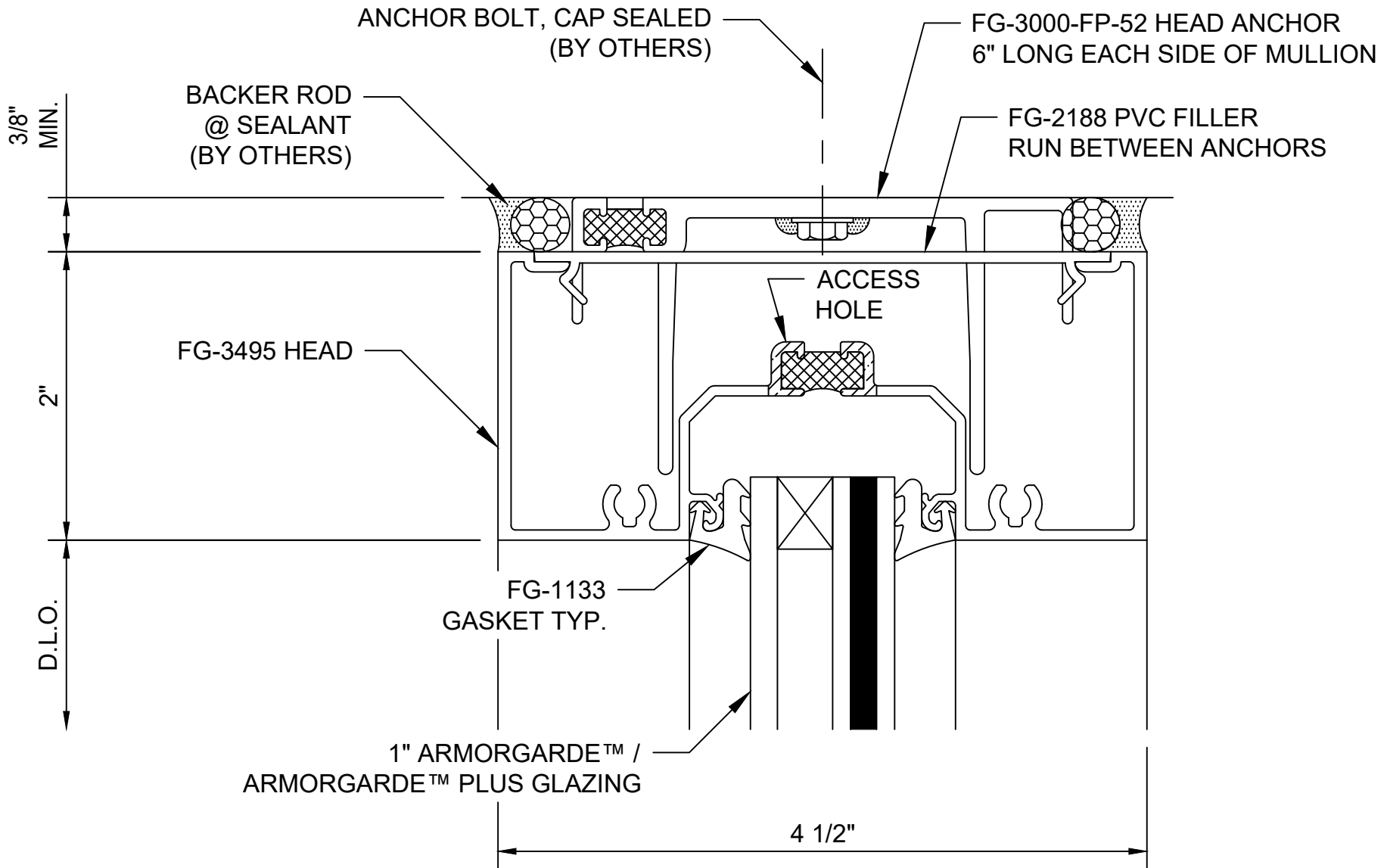
Misc. Details

M0801	Subsill Splicing
-------	------------------

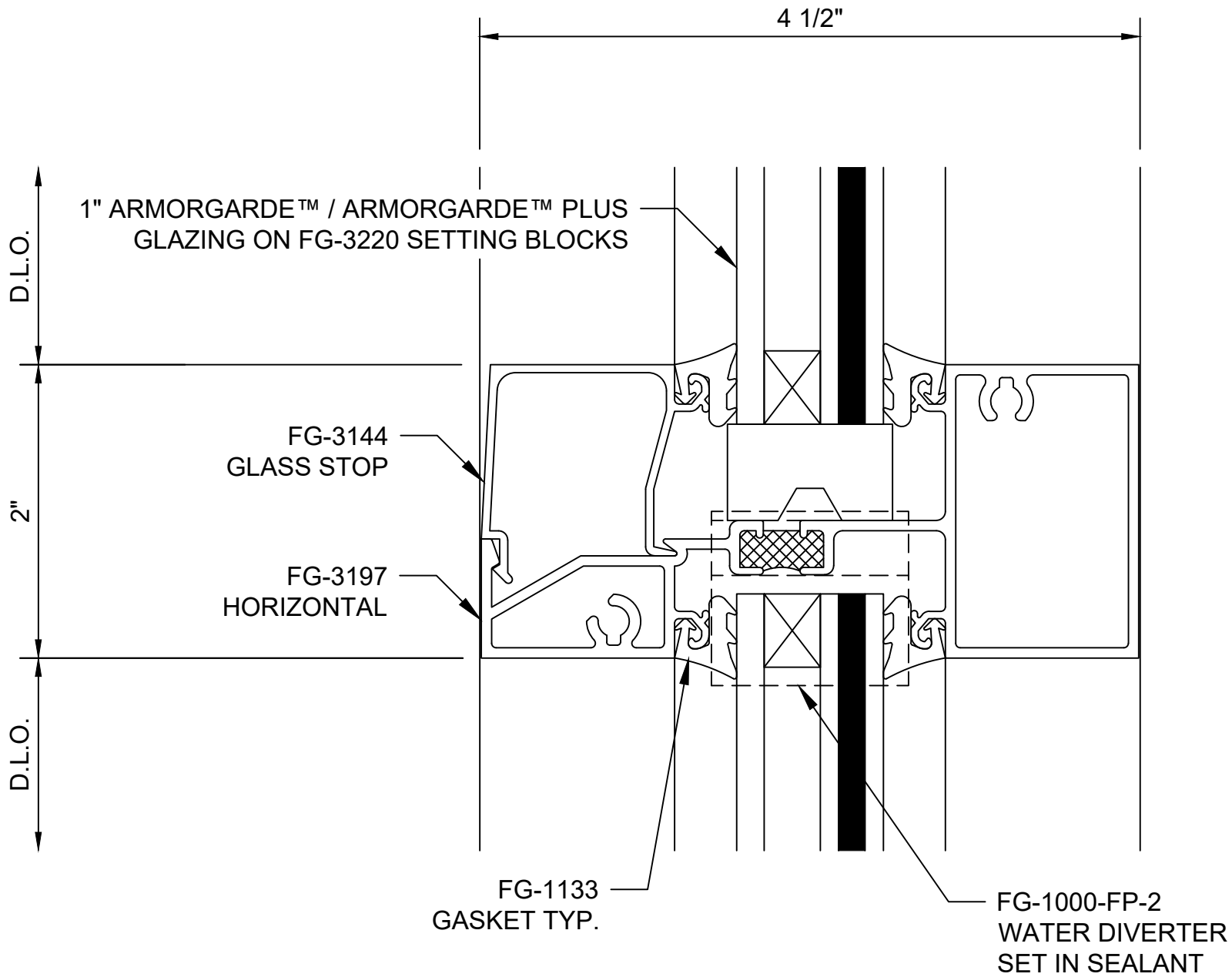
Table of Contents



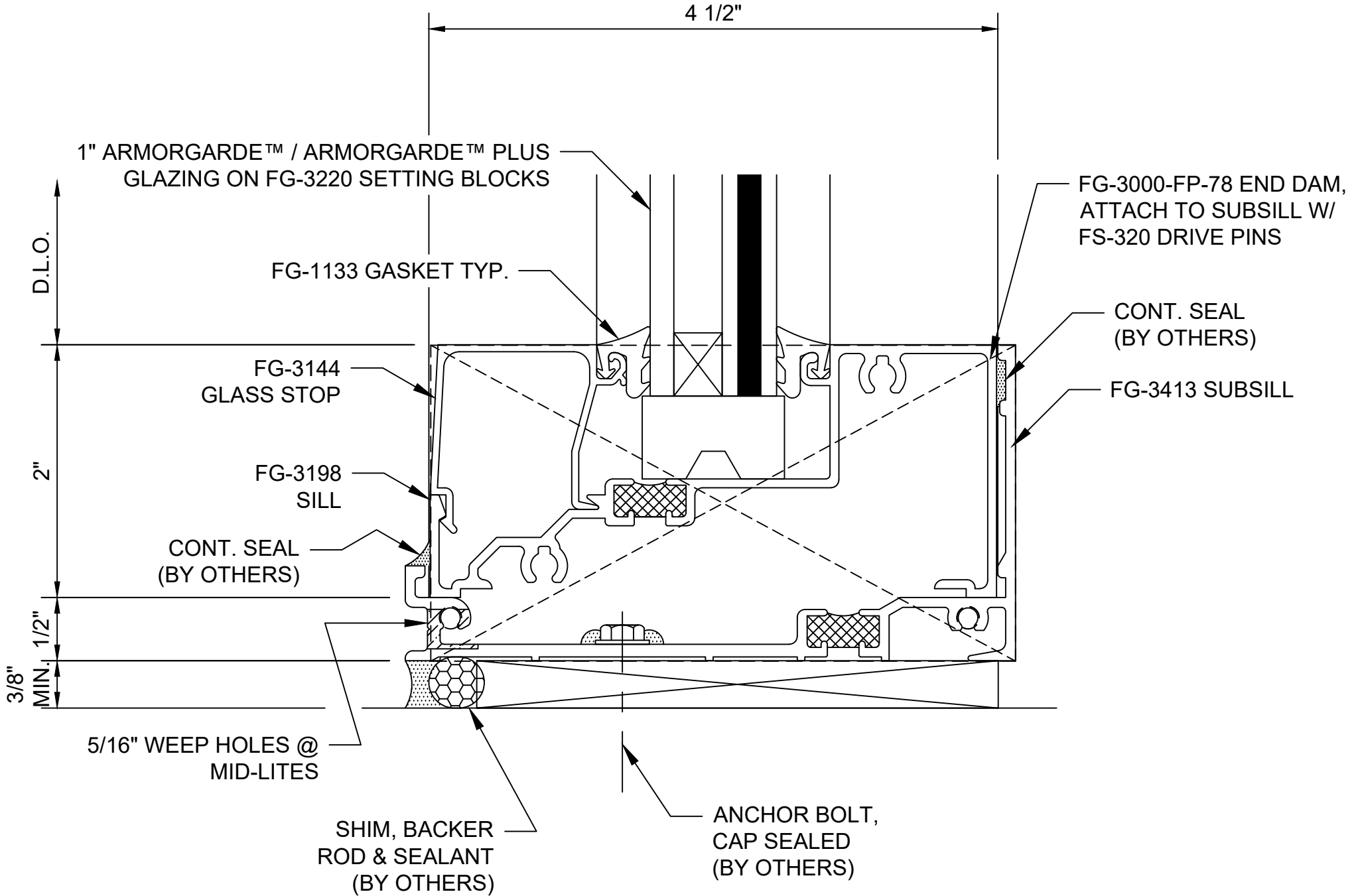
ArmorDefend™ Storefront - Dry Glazed
2" x 4-1/2" Center Set Storefront w/ 1" ArmorGarde™/ArmorGarde™ Plus Glazing - Elevation



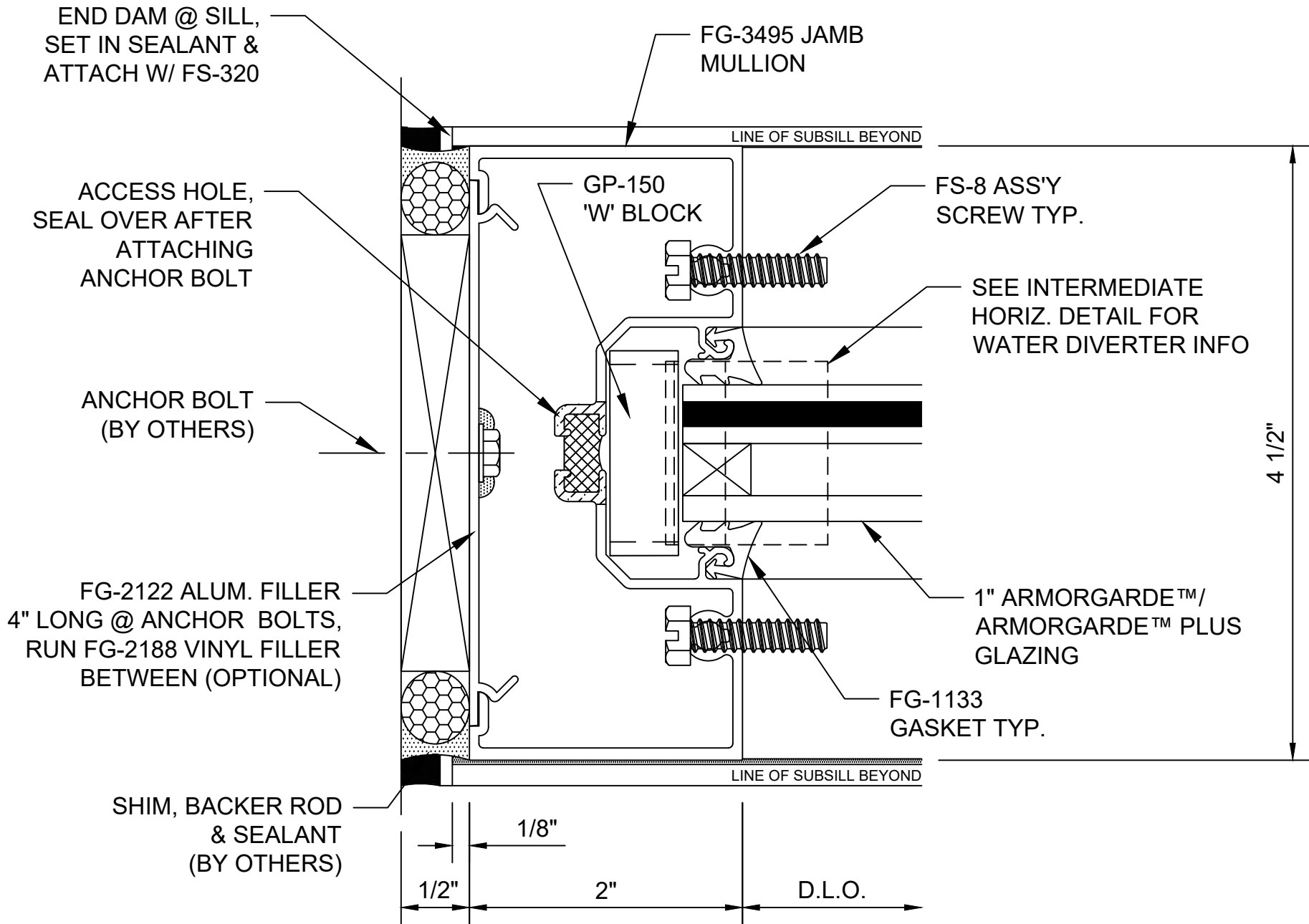
ArmorDefend™ Storefront - Dry Glazed Head - H0831



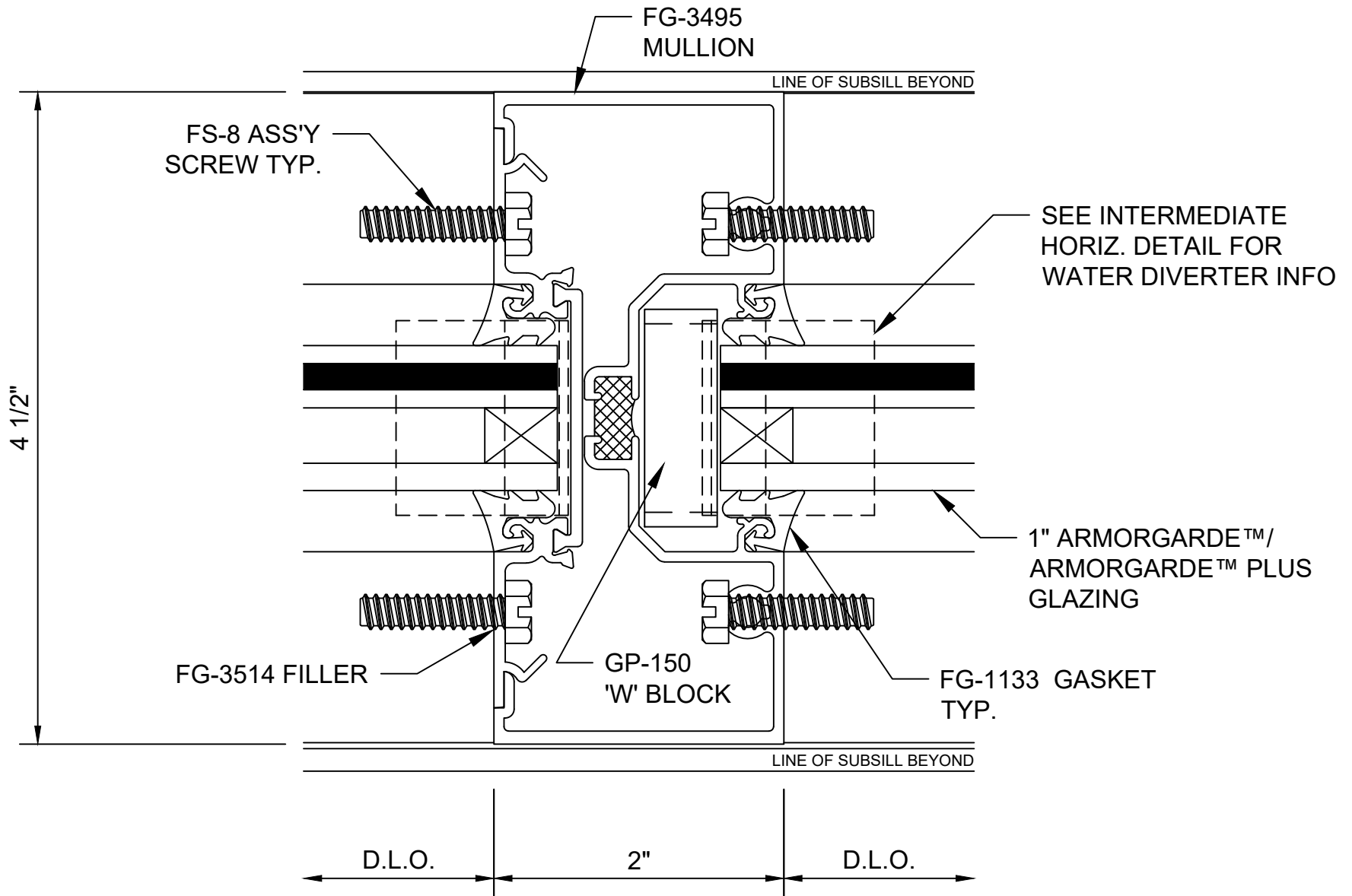
**ArmorDefend™ Storefront - Dry Glazed
Intermediate Horizontal - H0834**



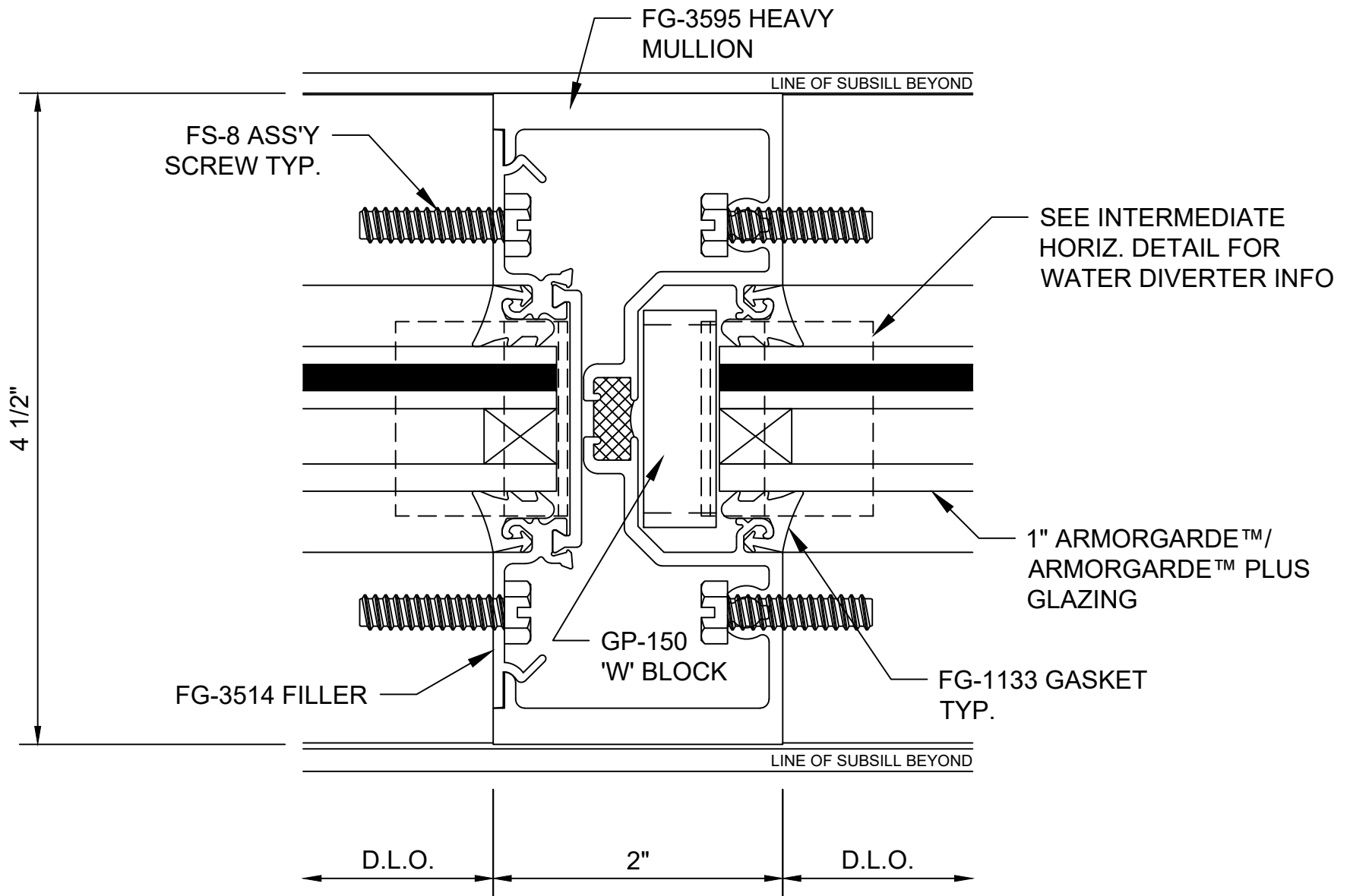
**ArmorDefend™ Storefront - Dry Glazed
Sill - H0838**



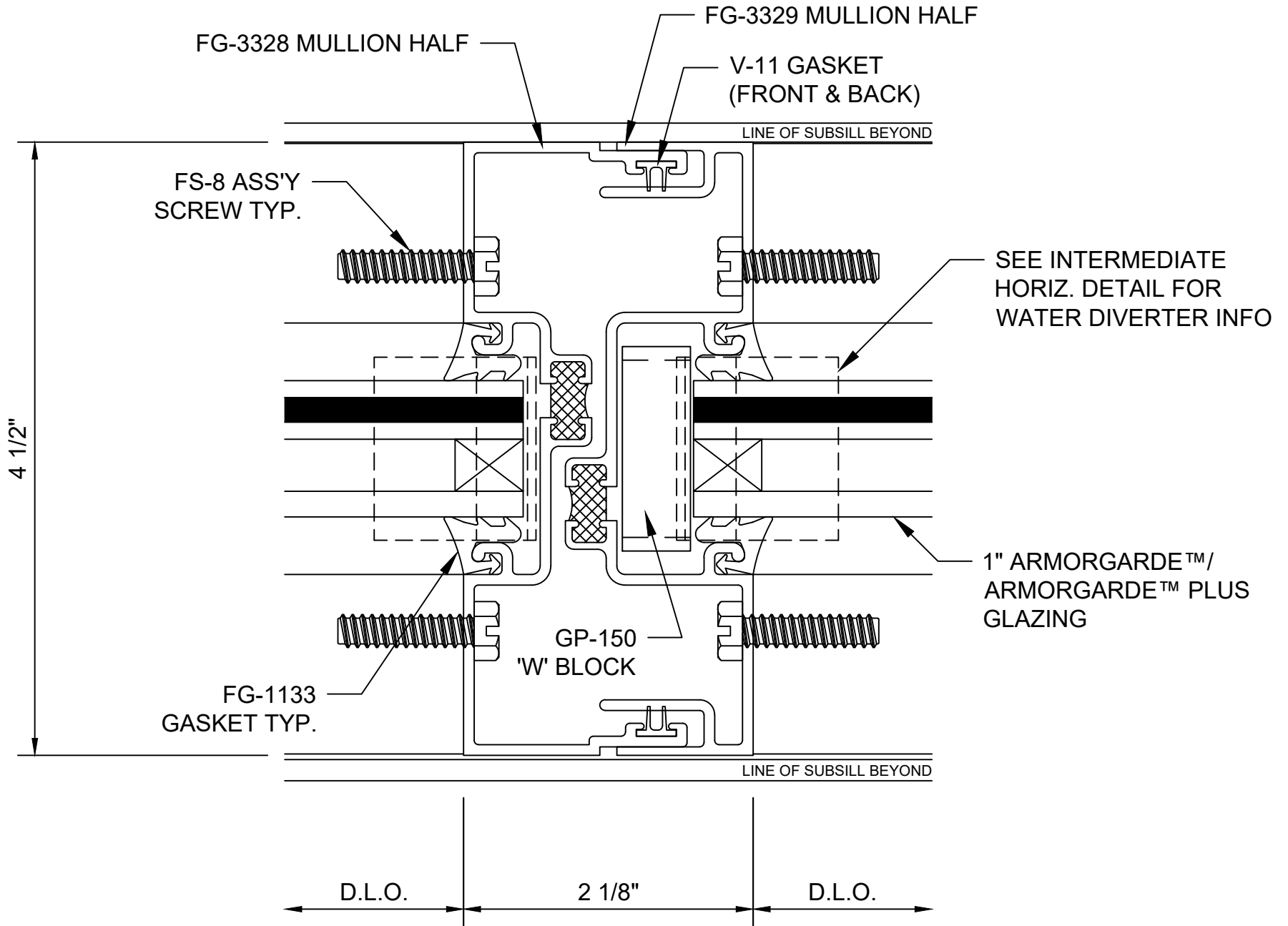
**ArmorDefend™ Storefront - Dry Glazed
Jamb - V0831**



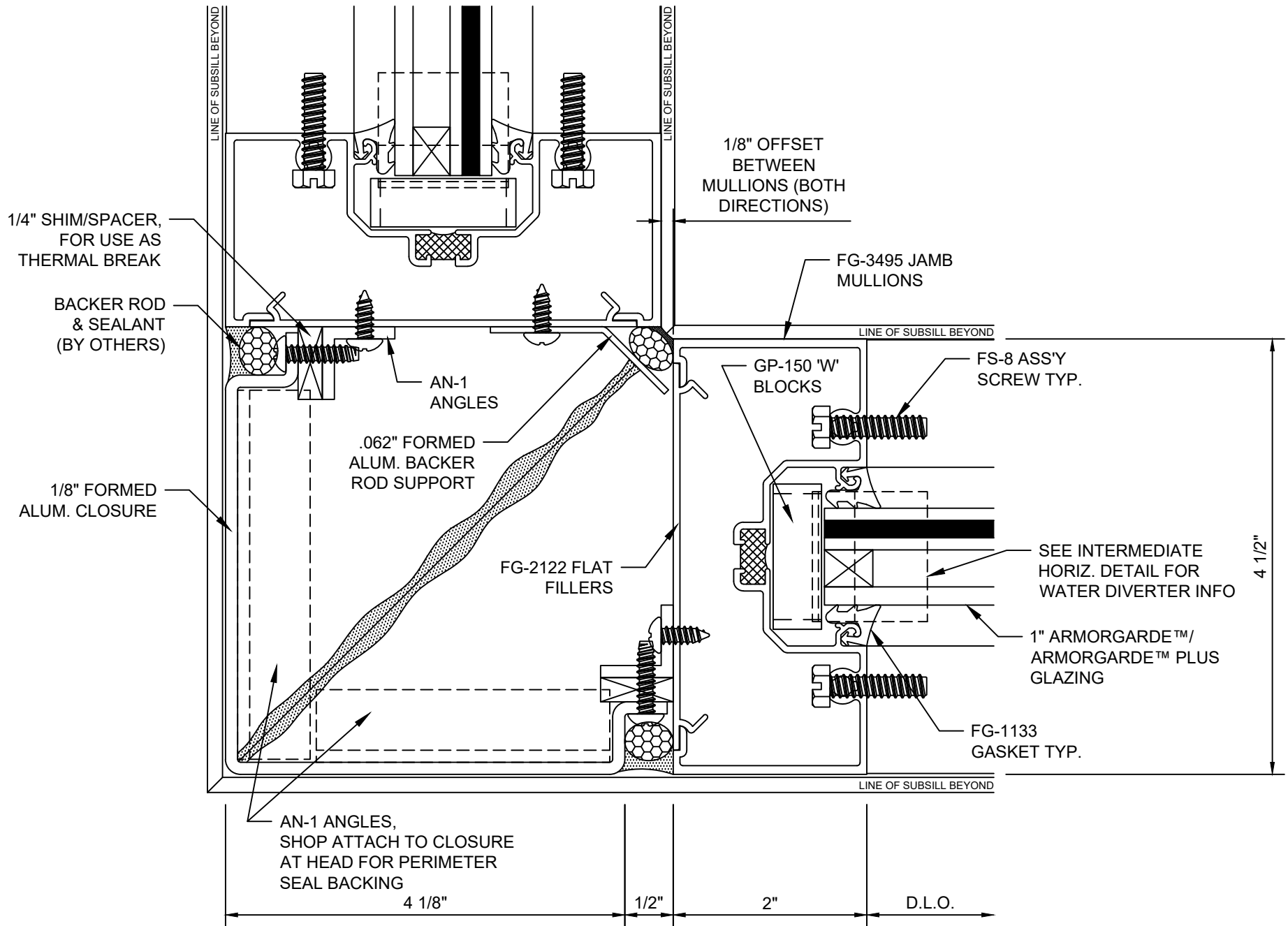
ArmorDefend™ Storefront - Dry Glazed
Typical Vertical - V0834



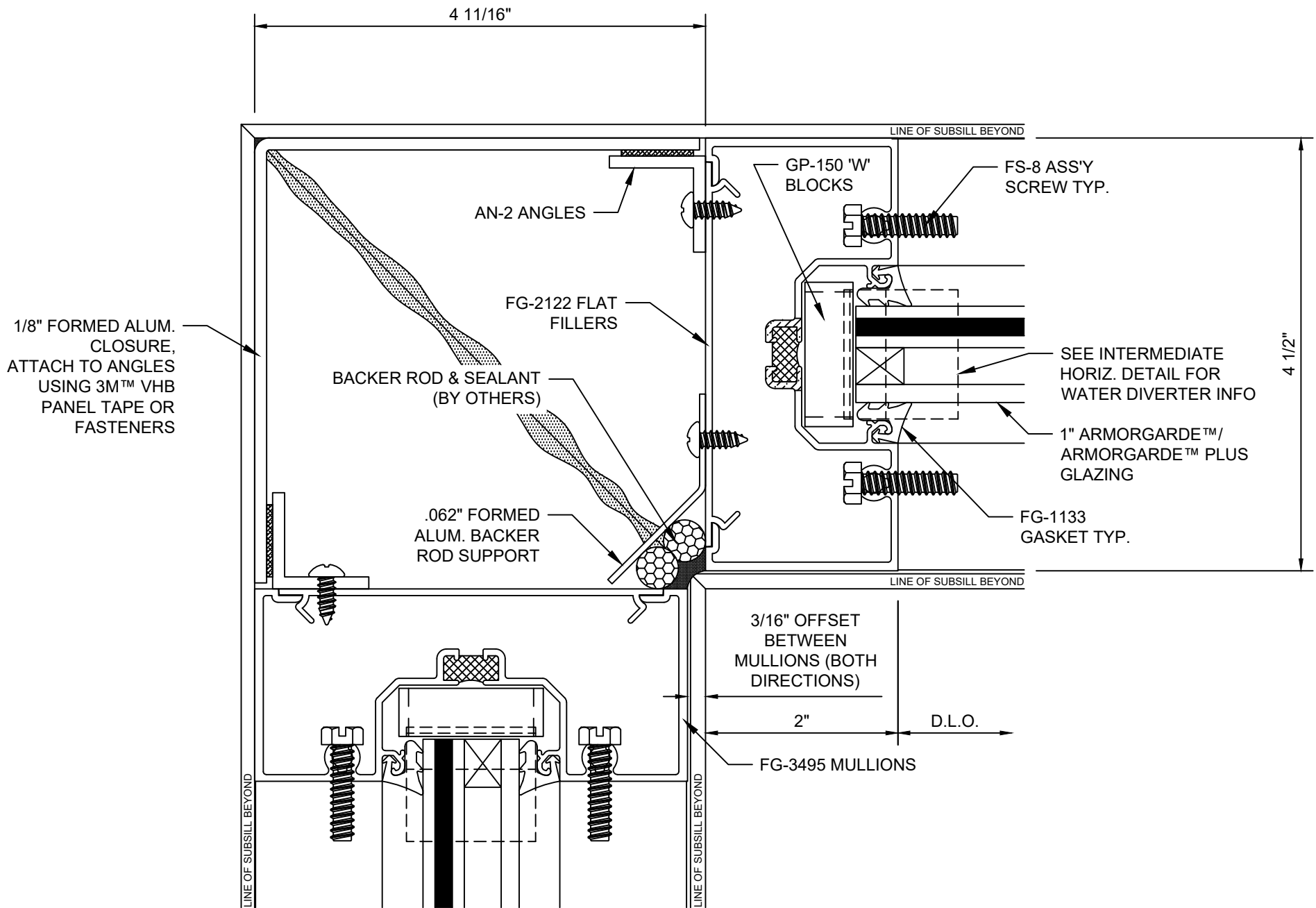
**ArmorDefend™ Storefront - Dry Glazed
 Heavy Duty Vertical - V0836**



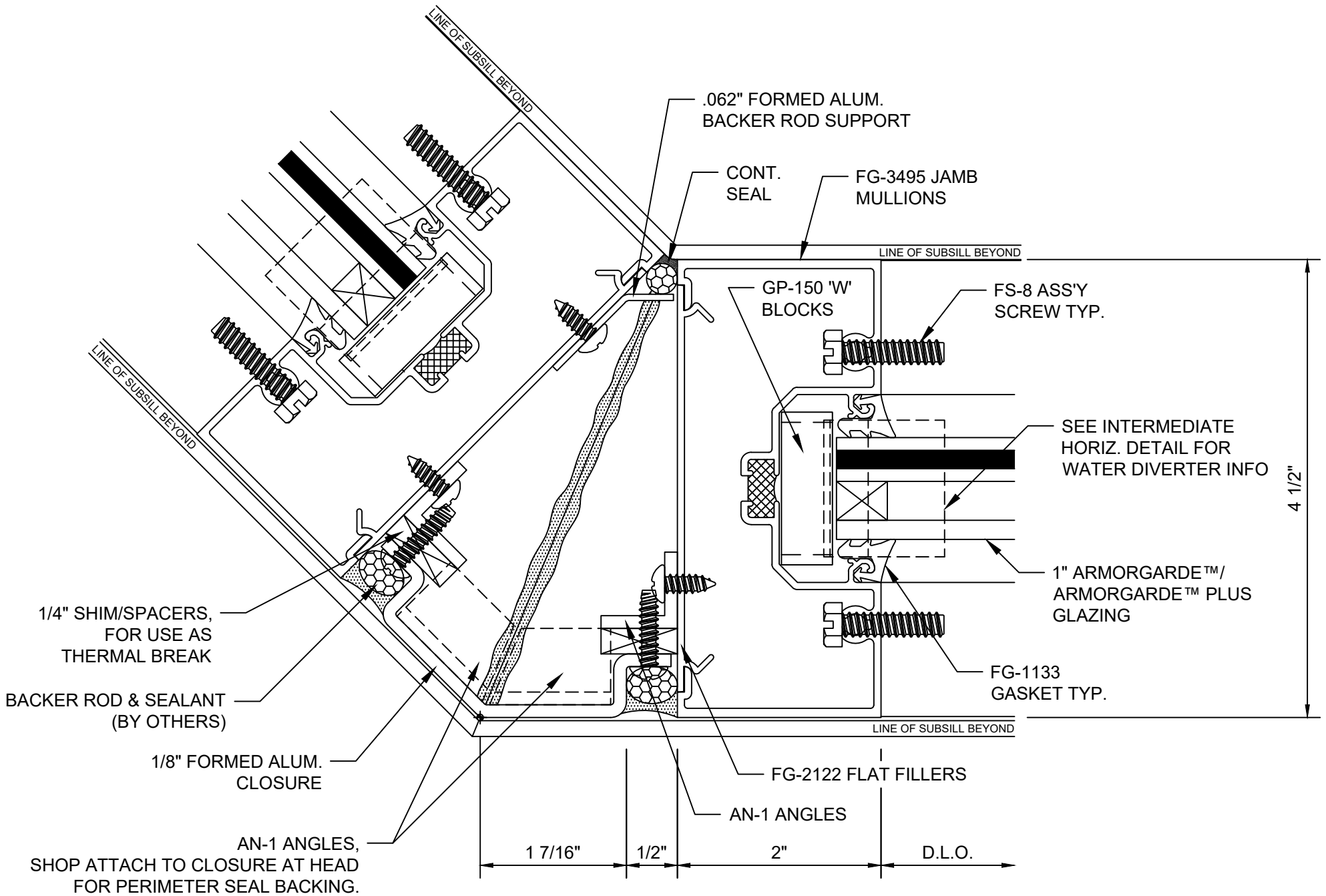
**ArmorDefend™ Storefront - Dry Glazed
Expansion Vertical - V0838**



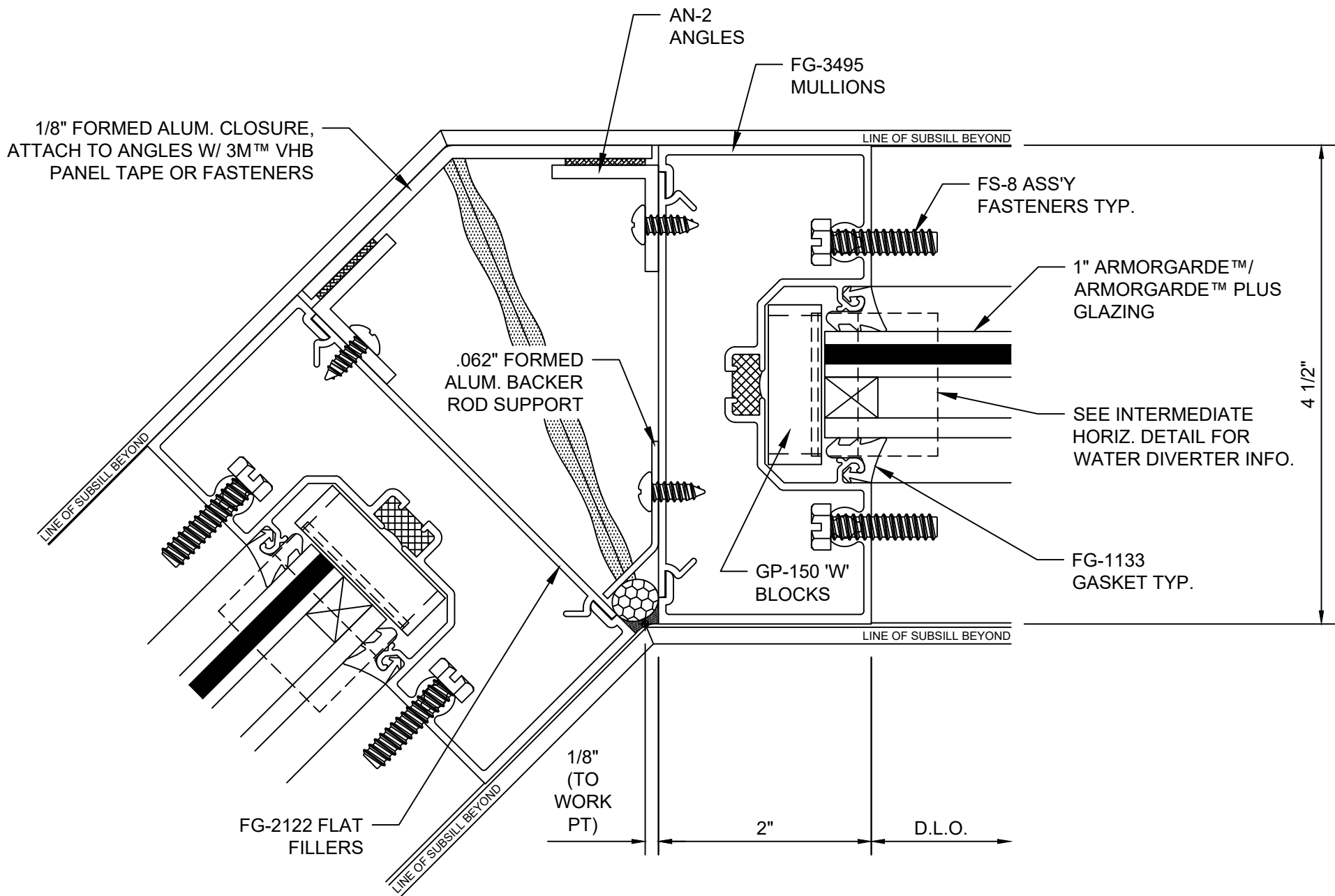
**ArmorDefend™ Storefront - Dry Glazed
90° Outside Corner - V0840**



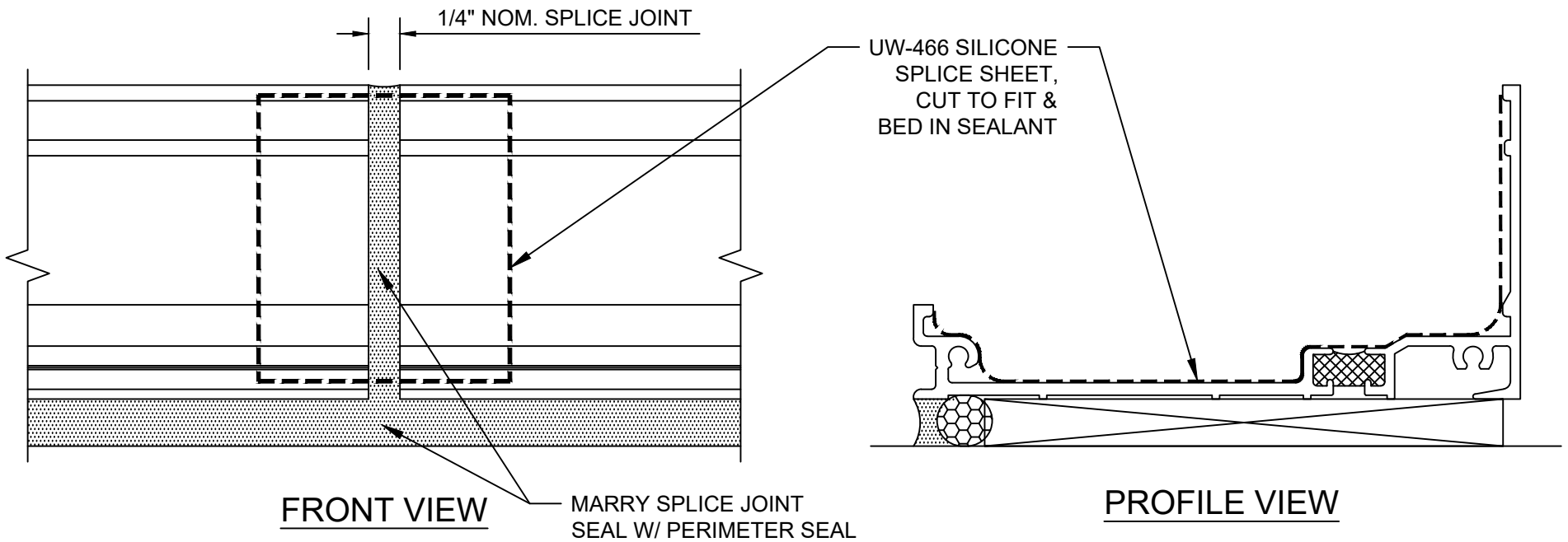
**ArmorDefend™ Storefront - Dry Glazed
90° Inside Corner - V0841**



ArmorDefend™ Storefront - Dry Glazed
135° Outside Corner - V0844



**ArmorDefend™ Storefront - Dry Glazed
135° Inside Corner - V0845**



**ArmorDefend™ Storefront - Dry Glazed
Subsill Splice - M0801**