

Oldcastle BuildingEnvelope®

1-866-Oldcastle (653-2278) - www.obe.com

ArmorDefend™ Plus Storefront - Wet Glazed 2-1/2" x 5" Center Set Storefront w/ 1-1/4" ArmorGarde™/ArmorGarde™ Plus Glazing

(Drawing numbers---i.e., V0701---used as CAD detail reference only)

Elevation

Horizontal Details

H0701	Head
H0702	Head Option
H0704	Intermediate Horizontal
H0708	Sill

Vertical Details

V0701	Jamb
V0704	Typical Vertical
V0706	Heavy Vertical
V0708	Expansion Vertical

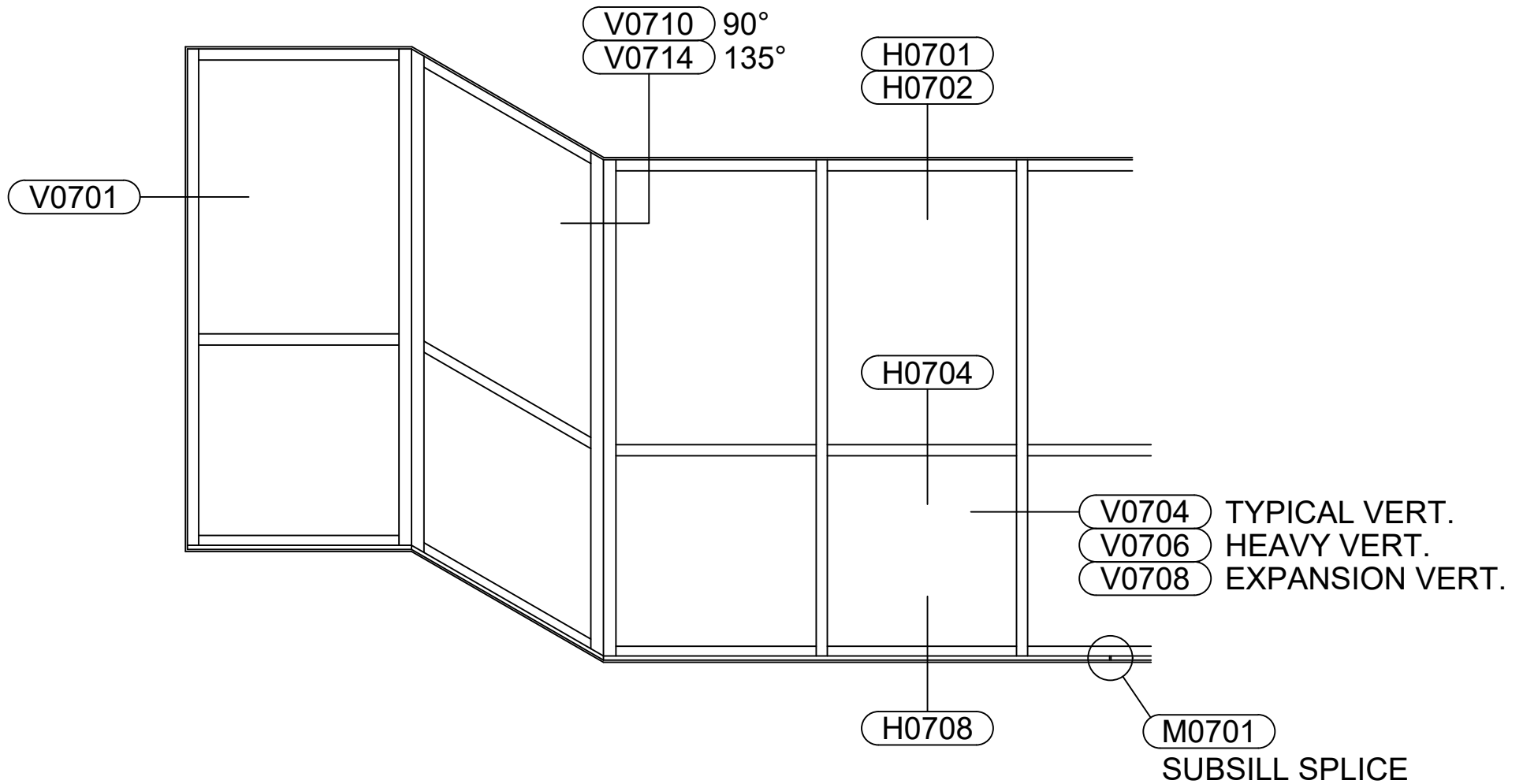
Corner Details

V0710	90° Outside Corner
V0714	135° Outside Corner

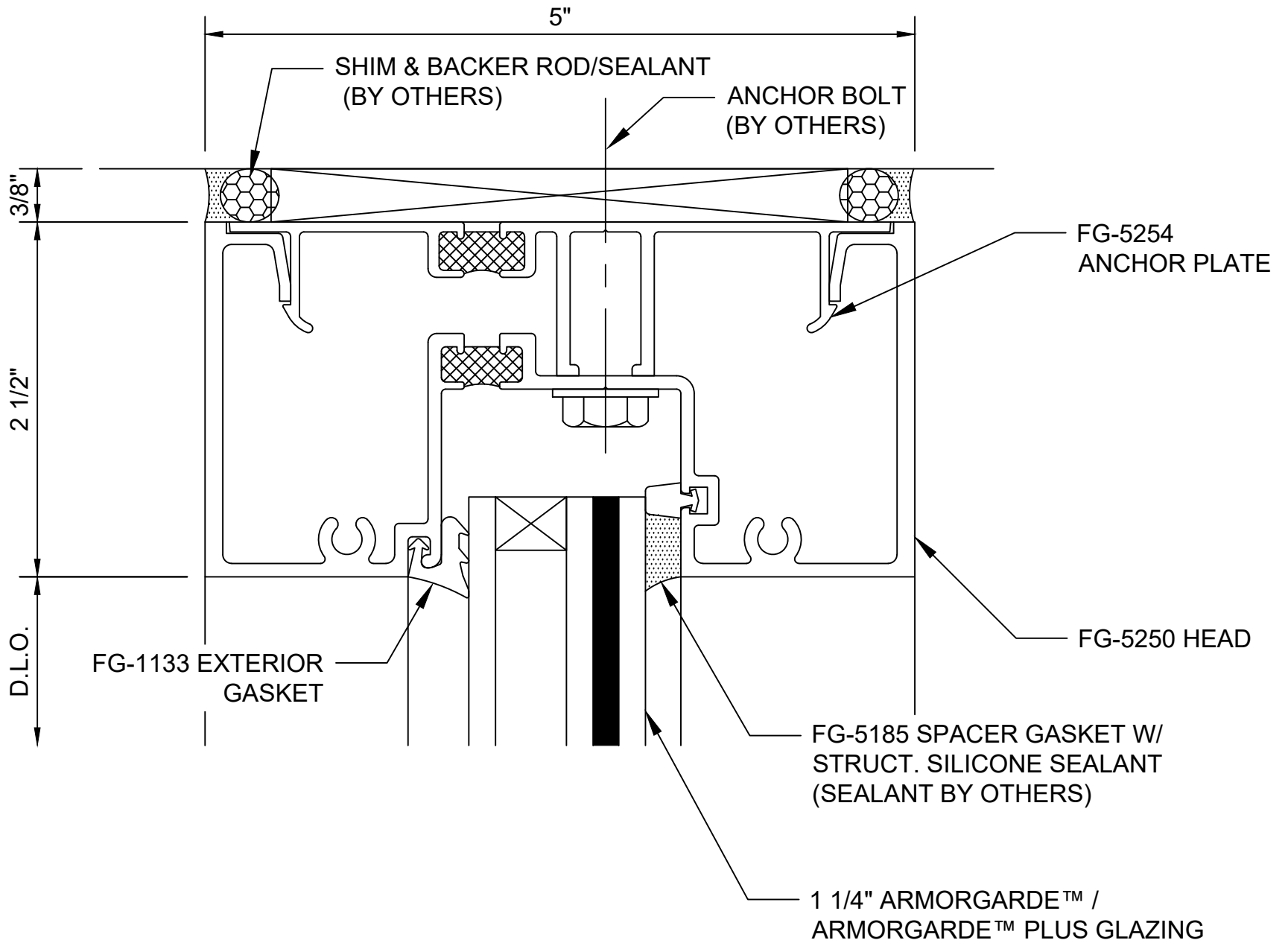
Misc. Details

M0701	Subsill Splicing
-------	------------------

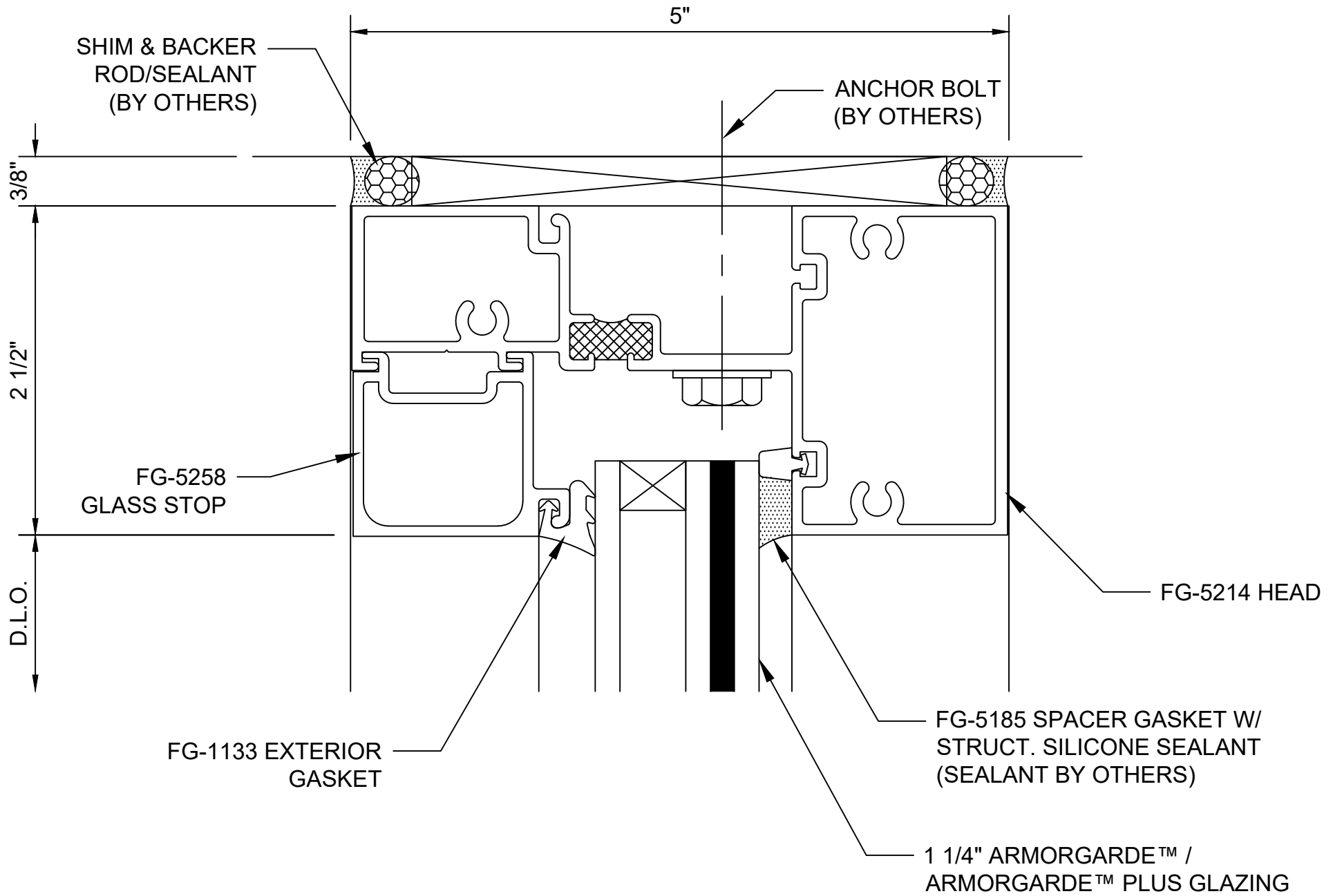
Table of Contents



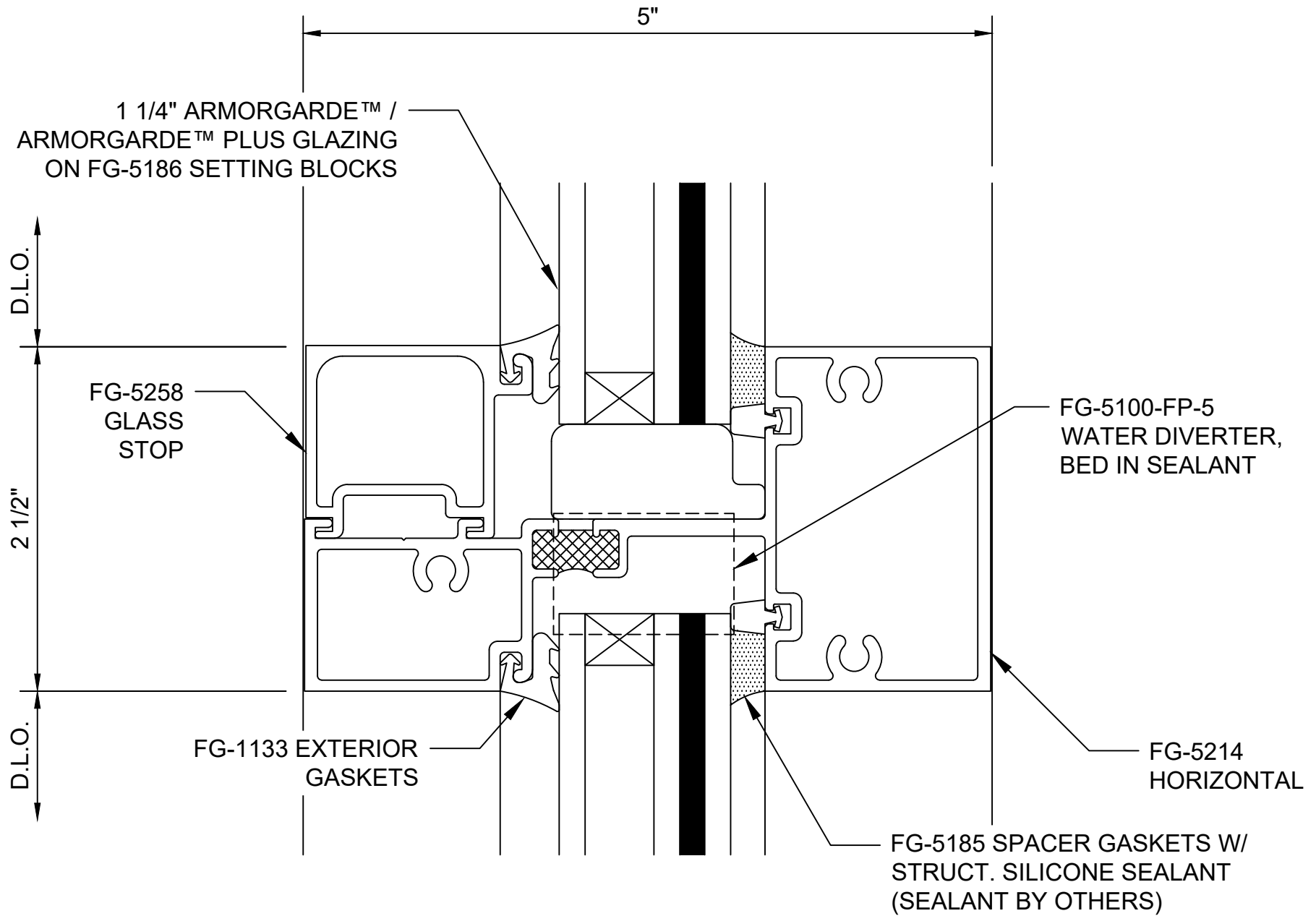
ArmorDefend™ Plus - Wet Glazed
2-1/2" x 5" Center Set Storefront w/ 1-1/4" ArmorGarde™/ArmorGarde™ Plus Glazing - Elevation



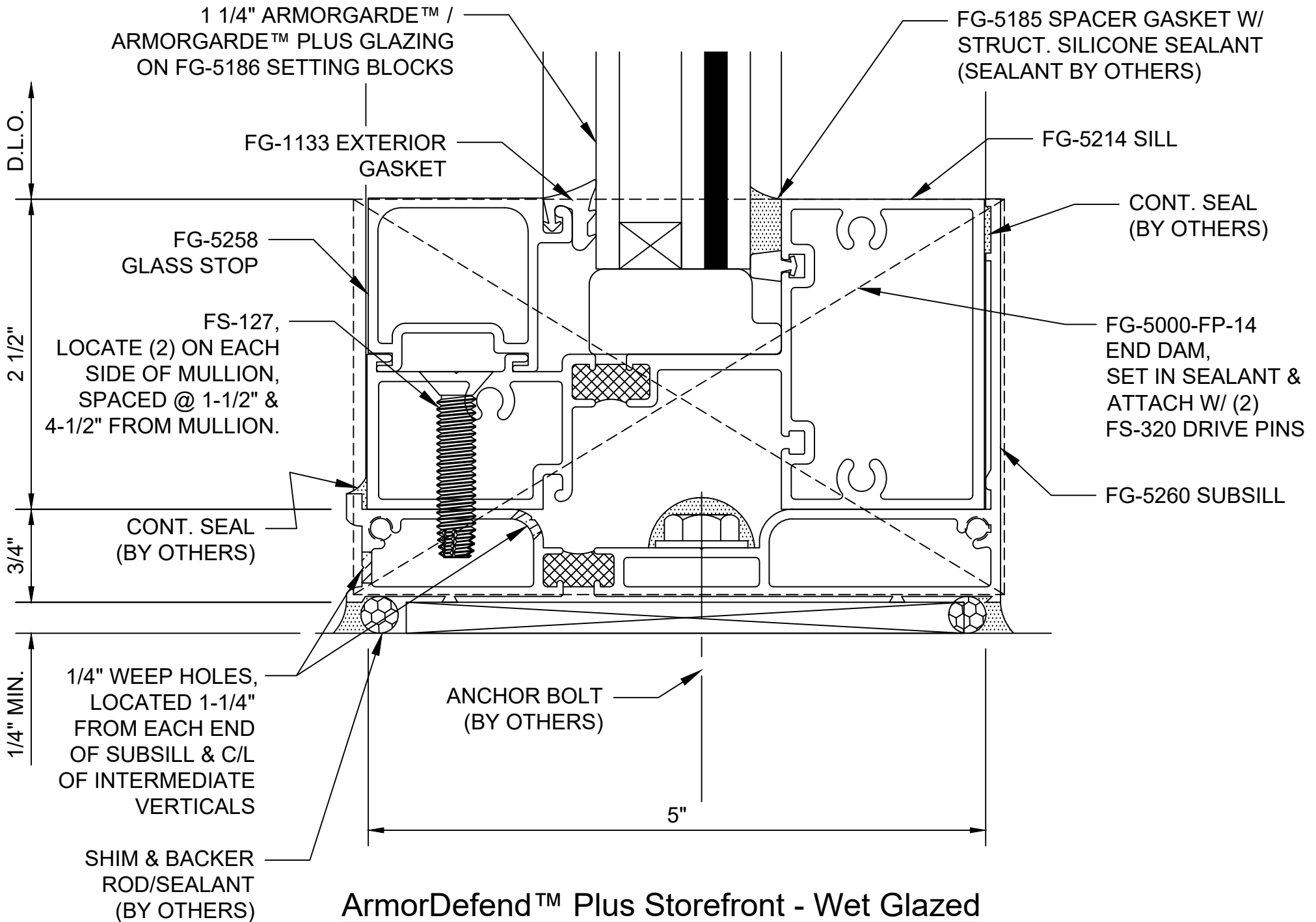
**ArmorDefend™ Plus Storefront - Wet Glazed
Head - H0701**



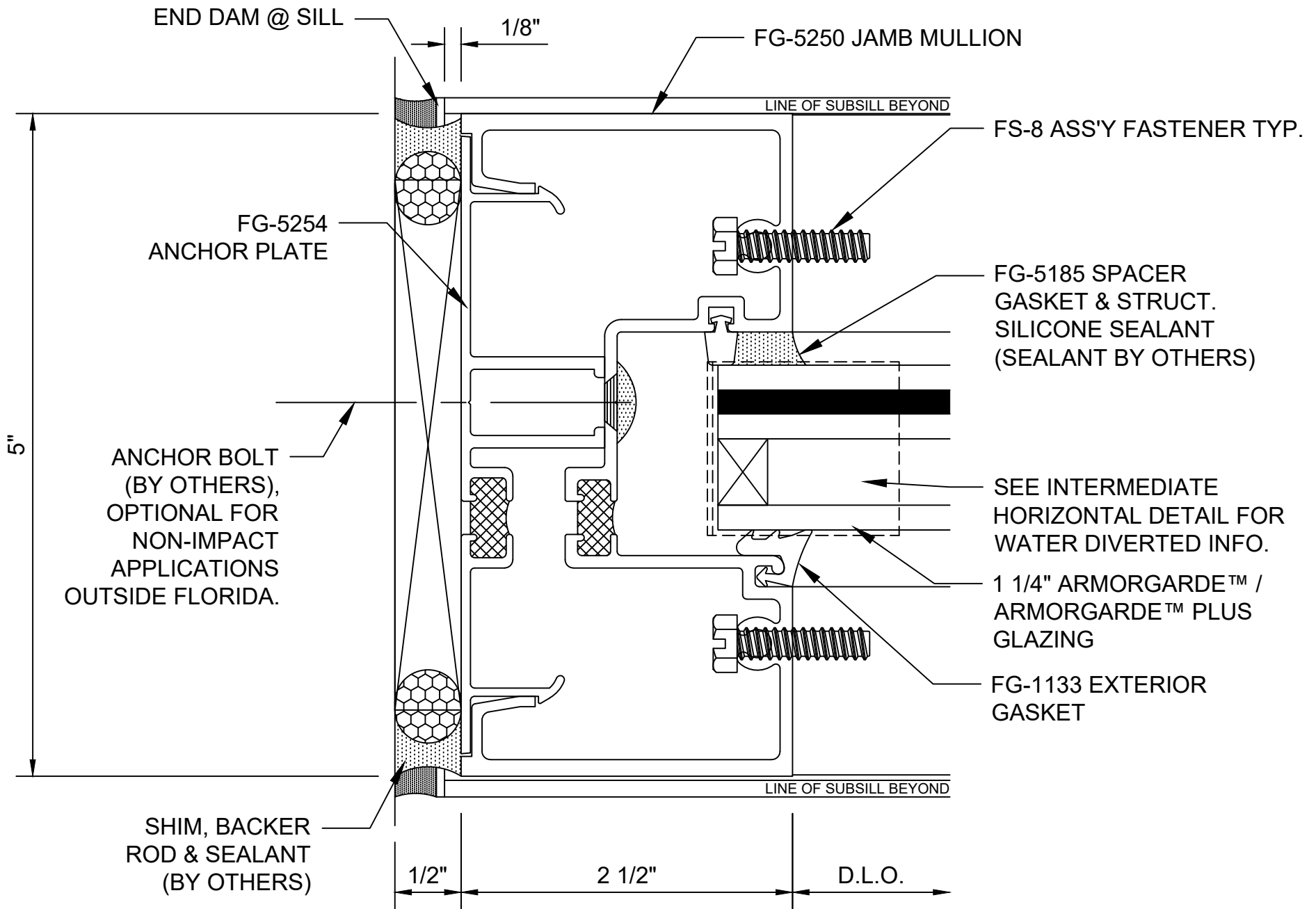
**ArmorDefend™ Plus Storefront - Wet Glazed
Head Option - H0702**



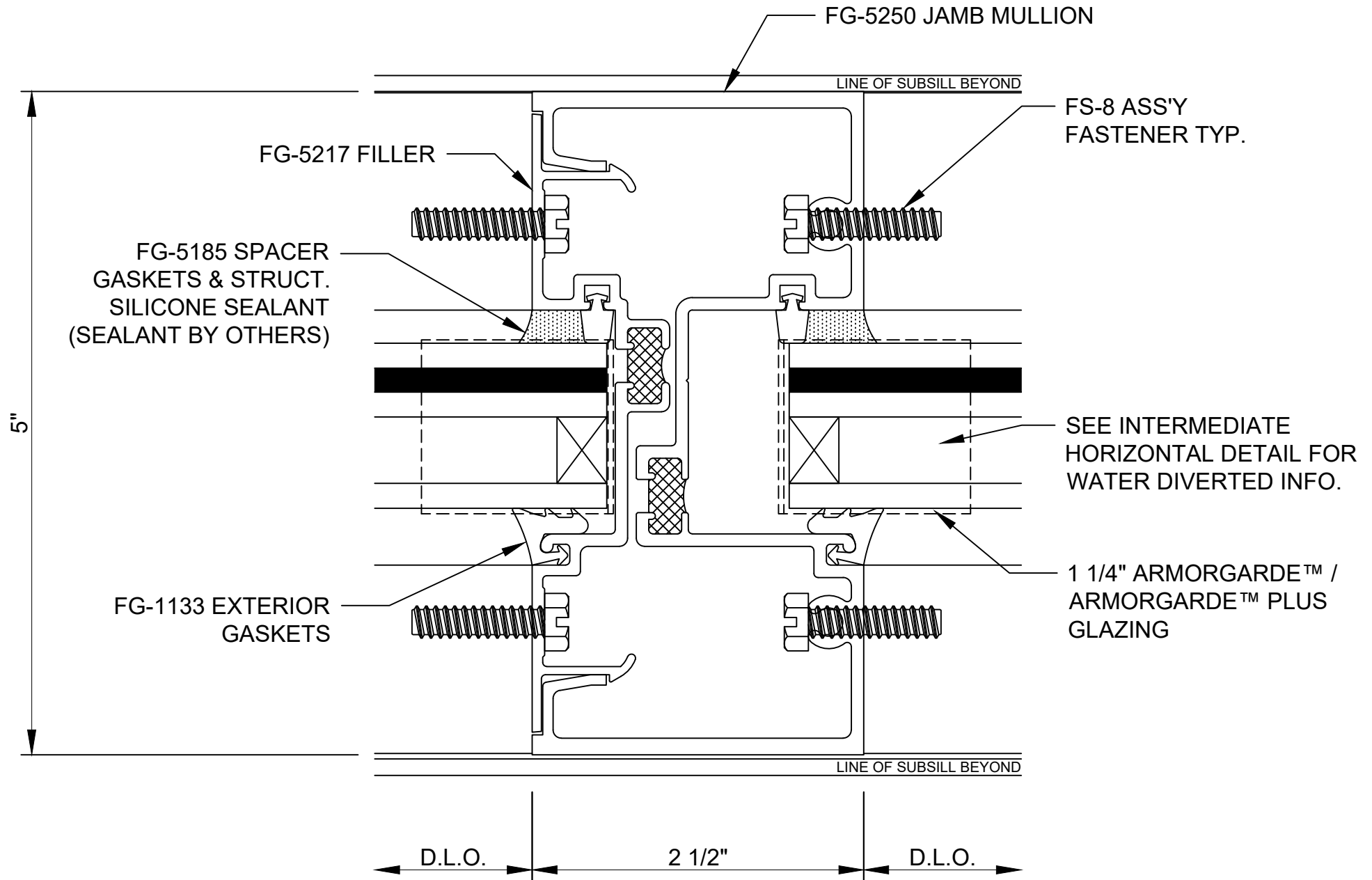
**ArmorDefend™ Plus Storefront - Wet Glazed
Intermediate Horizontal - H0704**



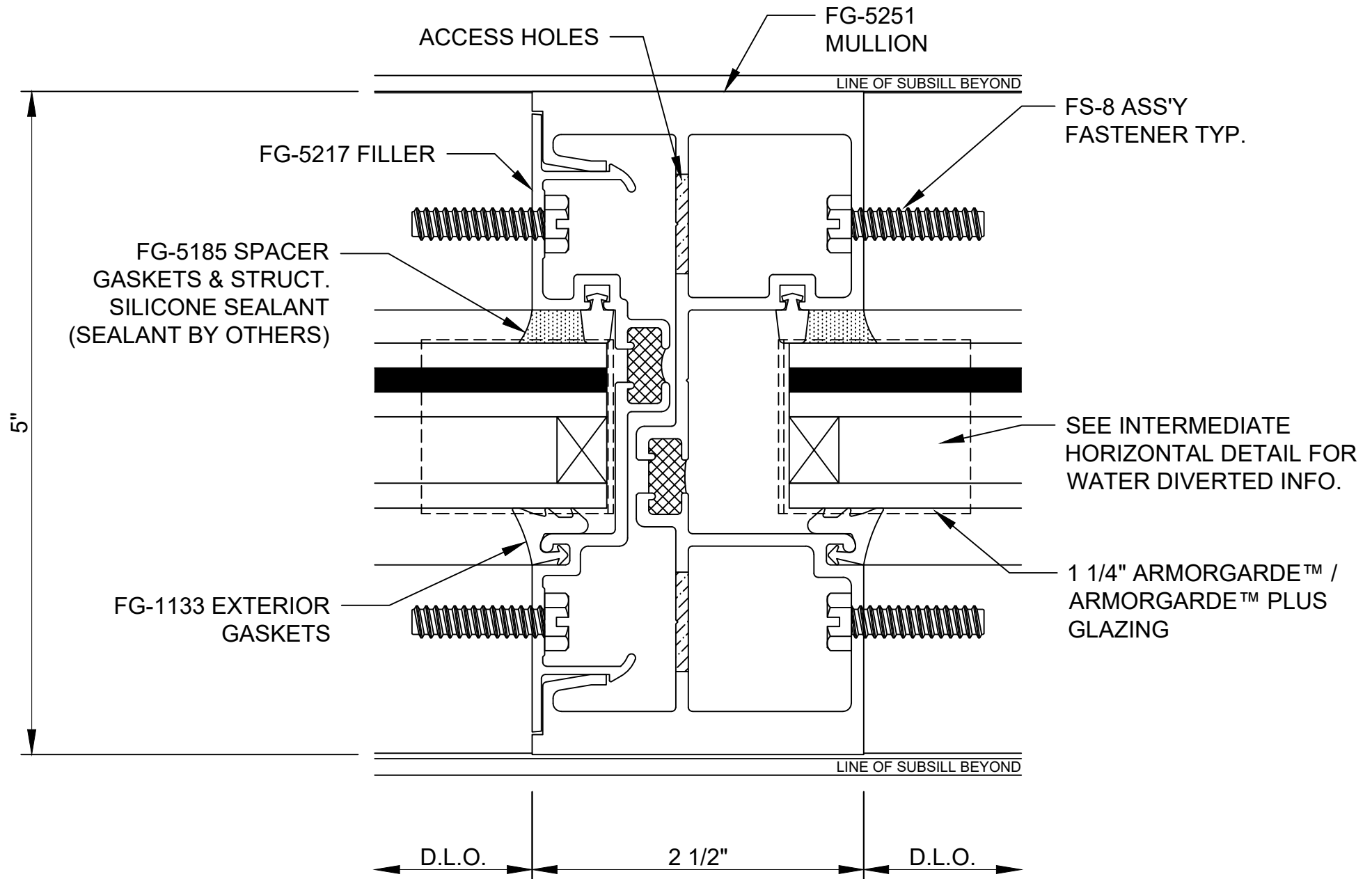
ArmorDefend™ Plus Storefront - Wet Glazed Sill - H0708



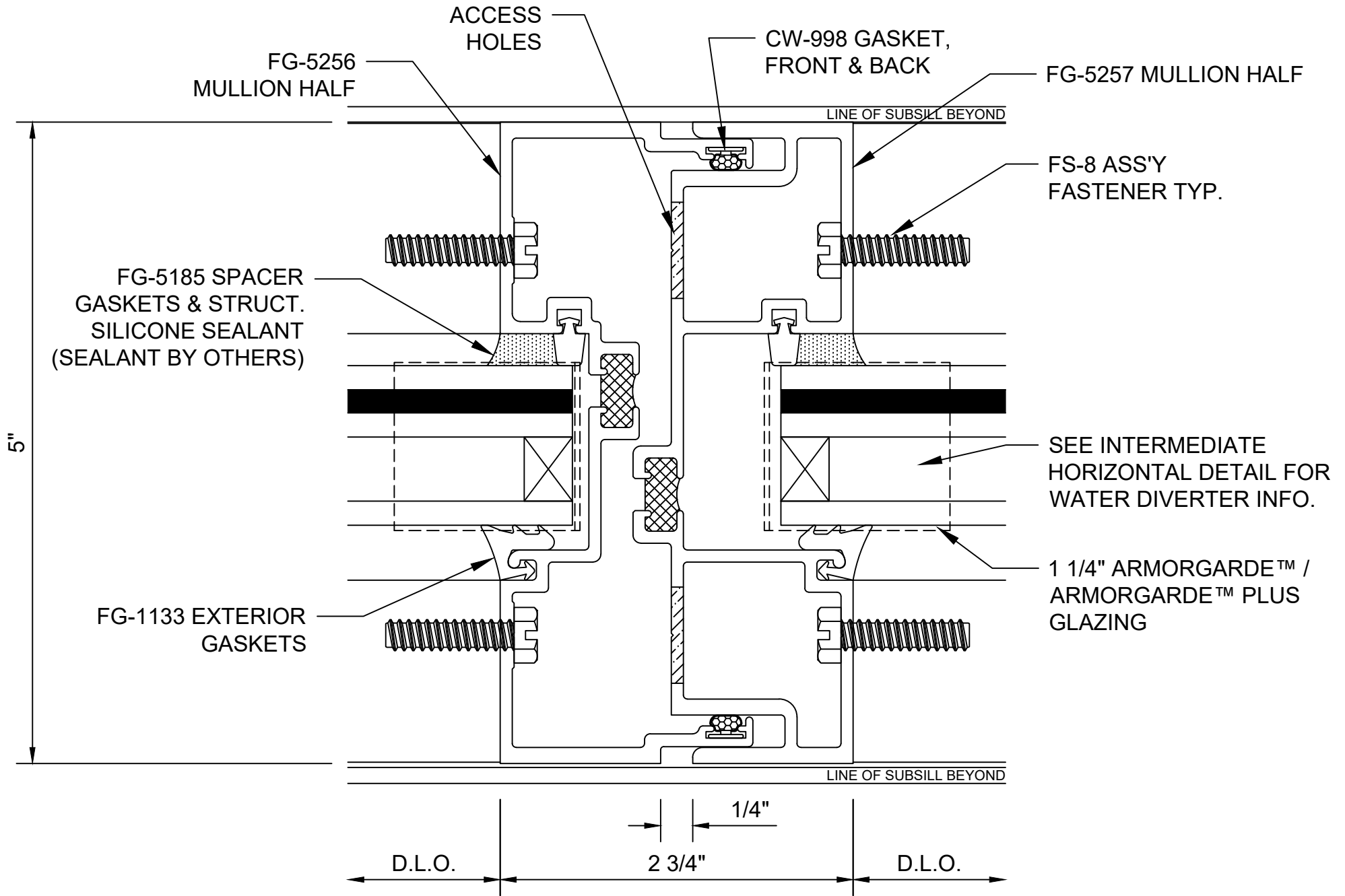
ArmorDefend™ Plus Storefront - Wet Glazed Jamb - V0701



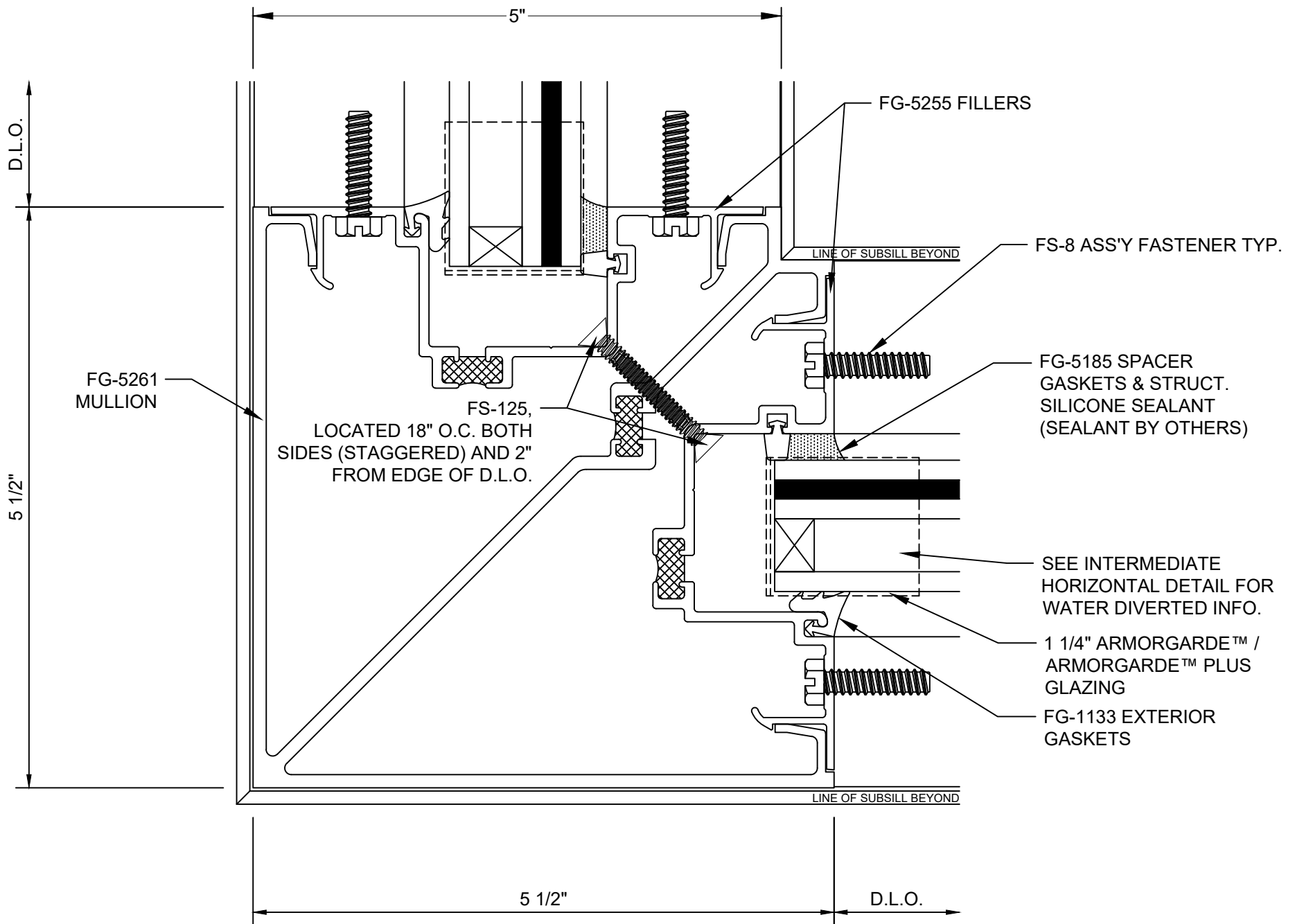
**ArmorDefend™ Plus Storefront - Wet Glazed
Intermediate Vertical - V0704**



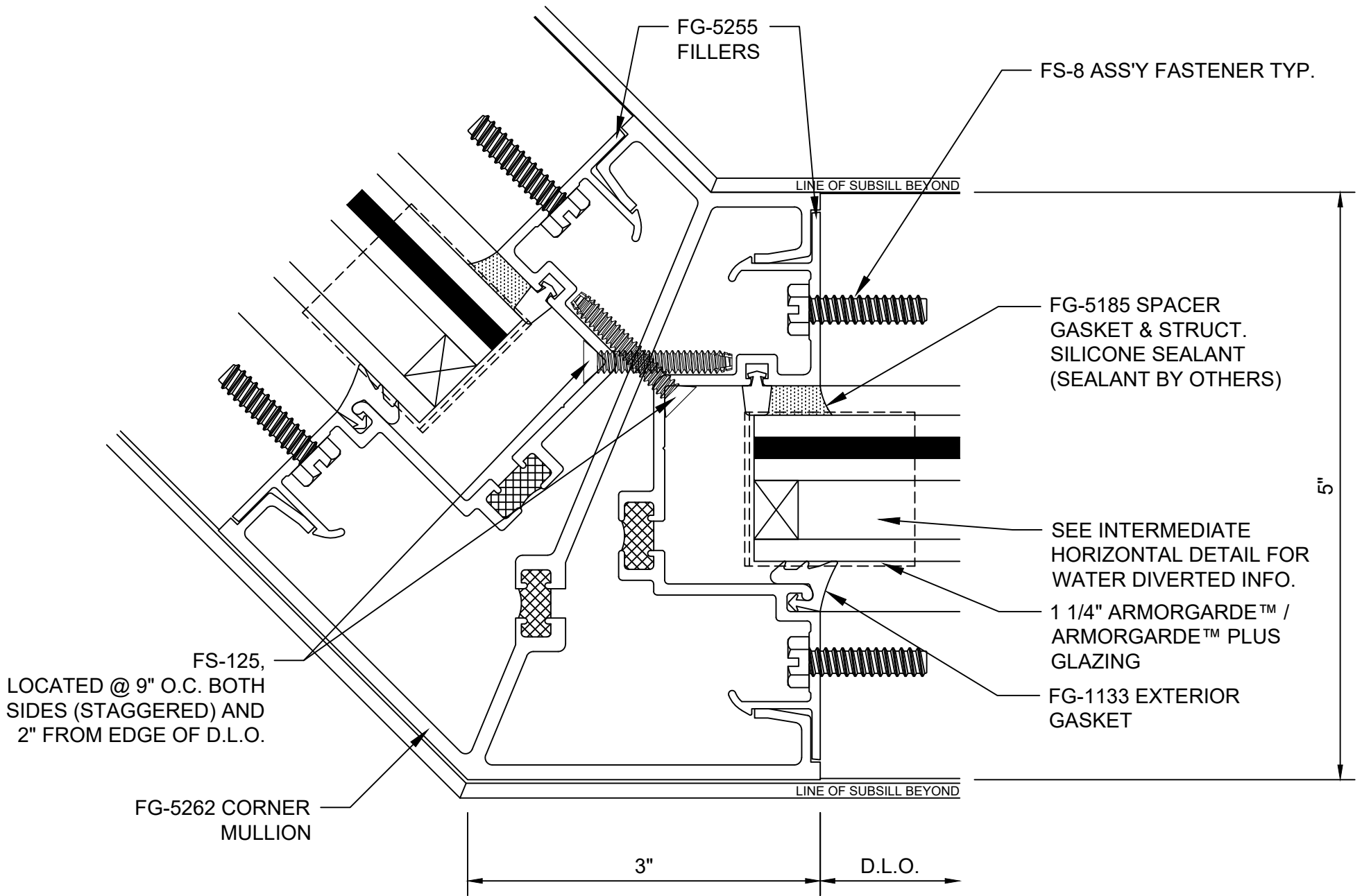
**ArmorDefend™ Plus Storefront - Wet Glazed
Heavy Duty Vertical - V0706**



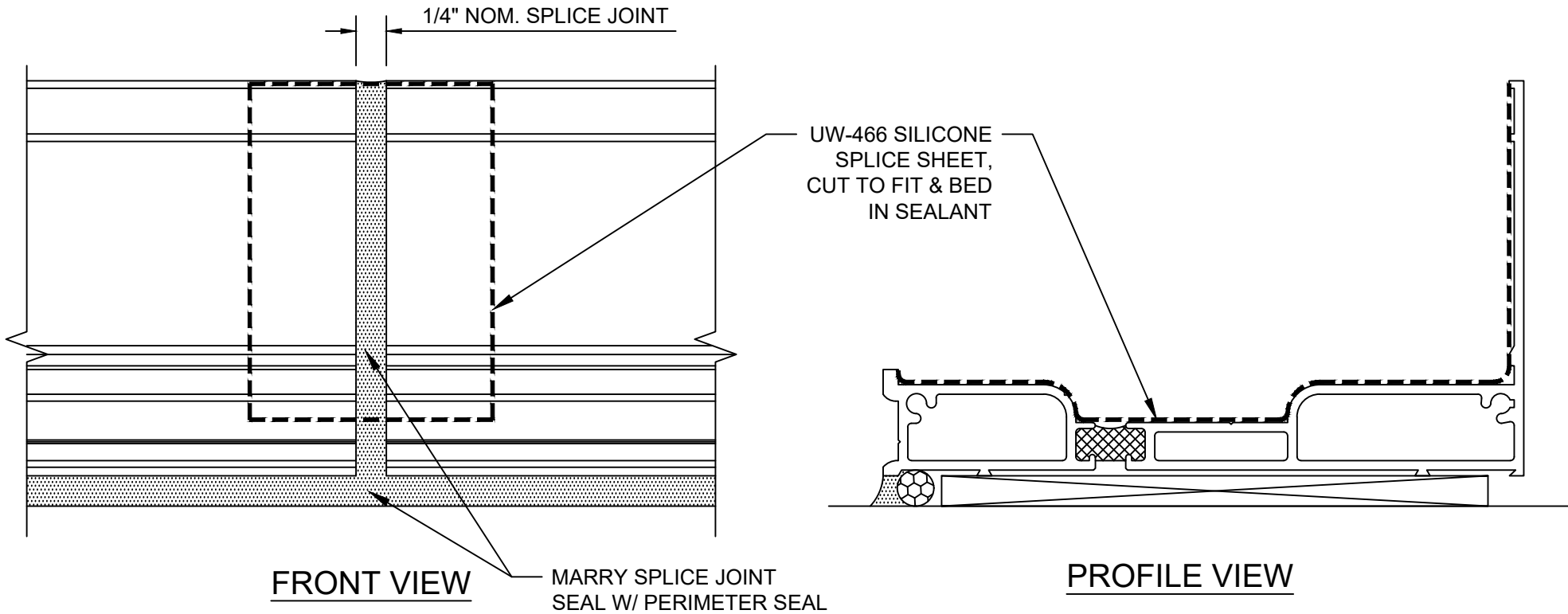
**ArmorDefend™ Plus Storefront - Wet Glazed
Expansion Vertical - V0708**



**ArmorDefend™ Plus Storefront - Wet Glazed
90° Outside Corner - V0710**



**ArmorDefend™ Plus Storefront - Wet Glazed
135° Outside Corner - V0714**



ArmorDefend™ Plus Storefront - Wet Glazed
Subsill Splice - M0701