

Oldcastle BuildingEnvelope®

1-866-Oldcastle (653-2278) - www.obe.com

ArmorDefend™ Plus Storefront - Dry Glazed 2-1/2" X 5" Center Set Storefront w/ 1-1/4" ArmorGarde™/ArmorGarde™ Plus Glazing

(Drawing numbers---i.e., V0731---used as CAD detail reference only)

Elevation

Horizontal Details

H0731	Head
H0732	Head Option
H0734	Intermediate Horizontal
H0738	Sill

Vertical Details

V0731	Jamb
V0734	Typical Vertical
V7036	Heavy Vertical
V0738	Expansion Vertical

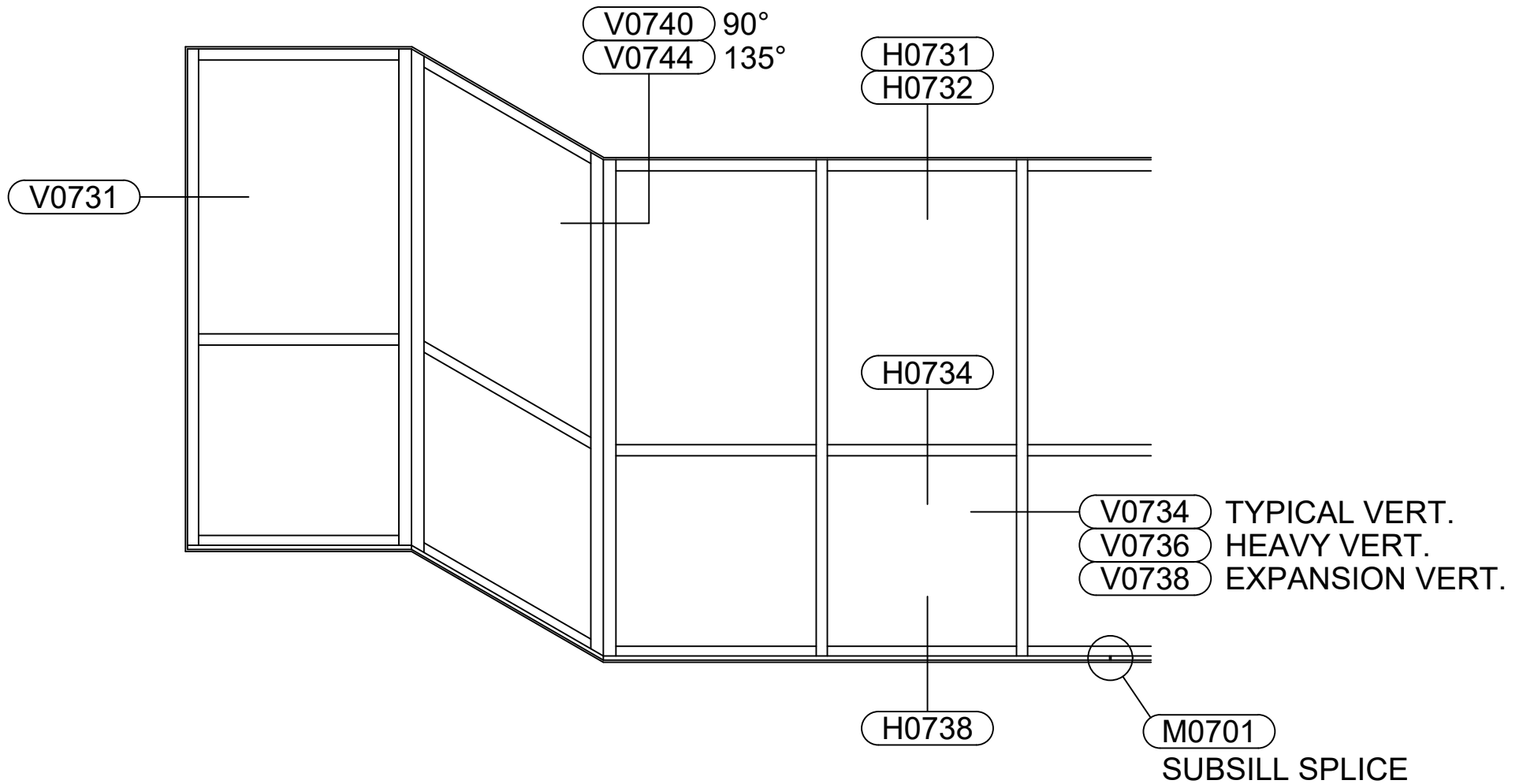
Corner Details

V0740	90° Outside Corner
V0744	135° Outside Corner

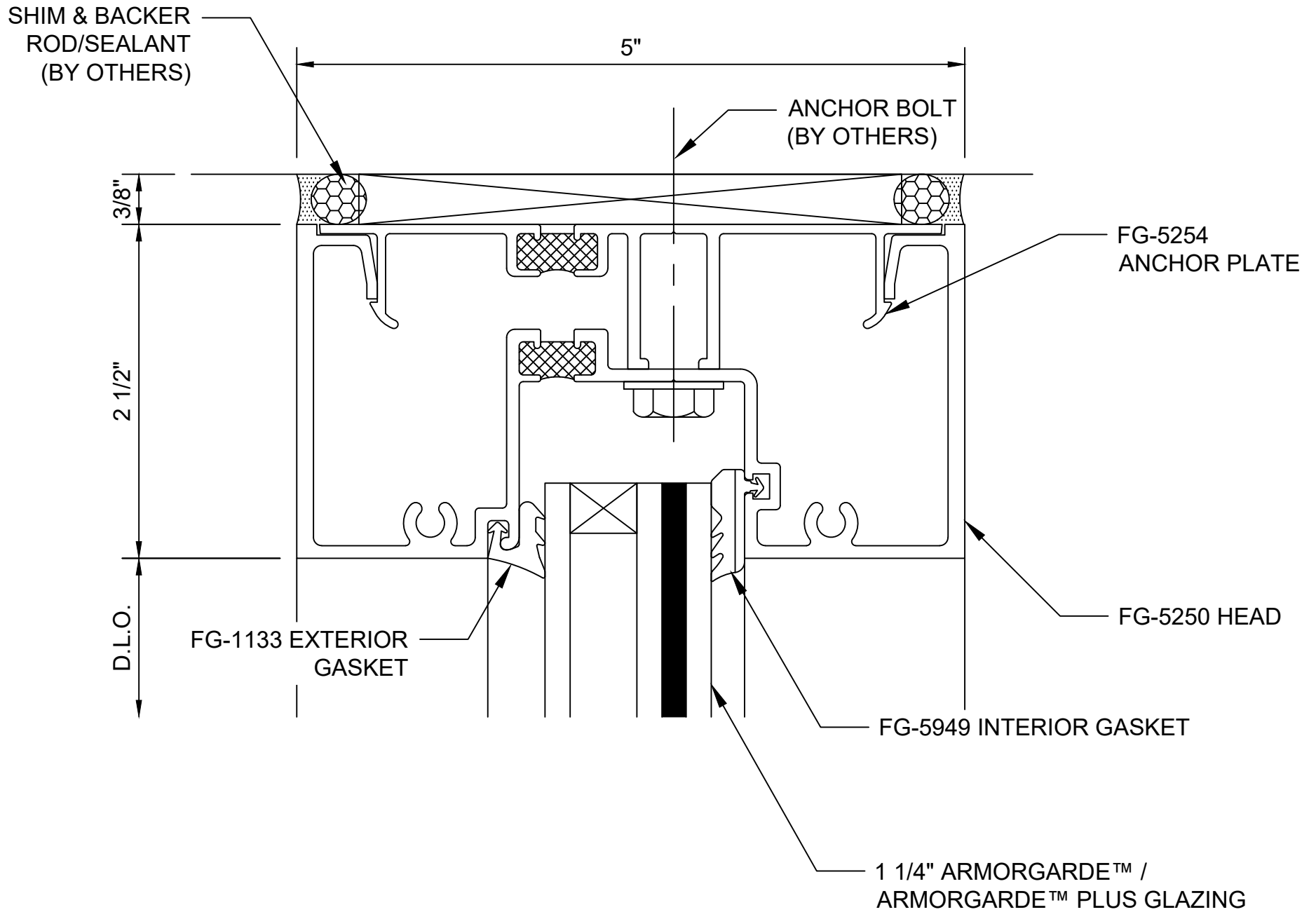
Misc. Details

M0701	Subsill Splicing
-------	------------------

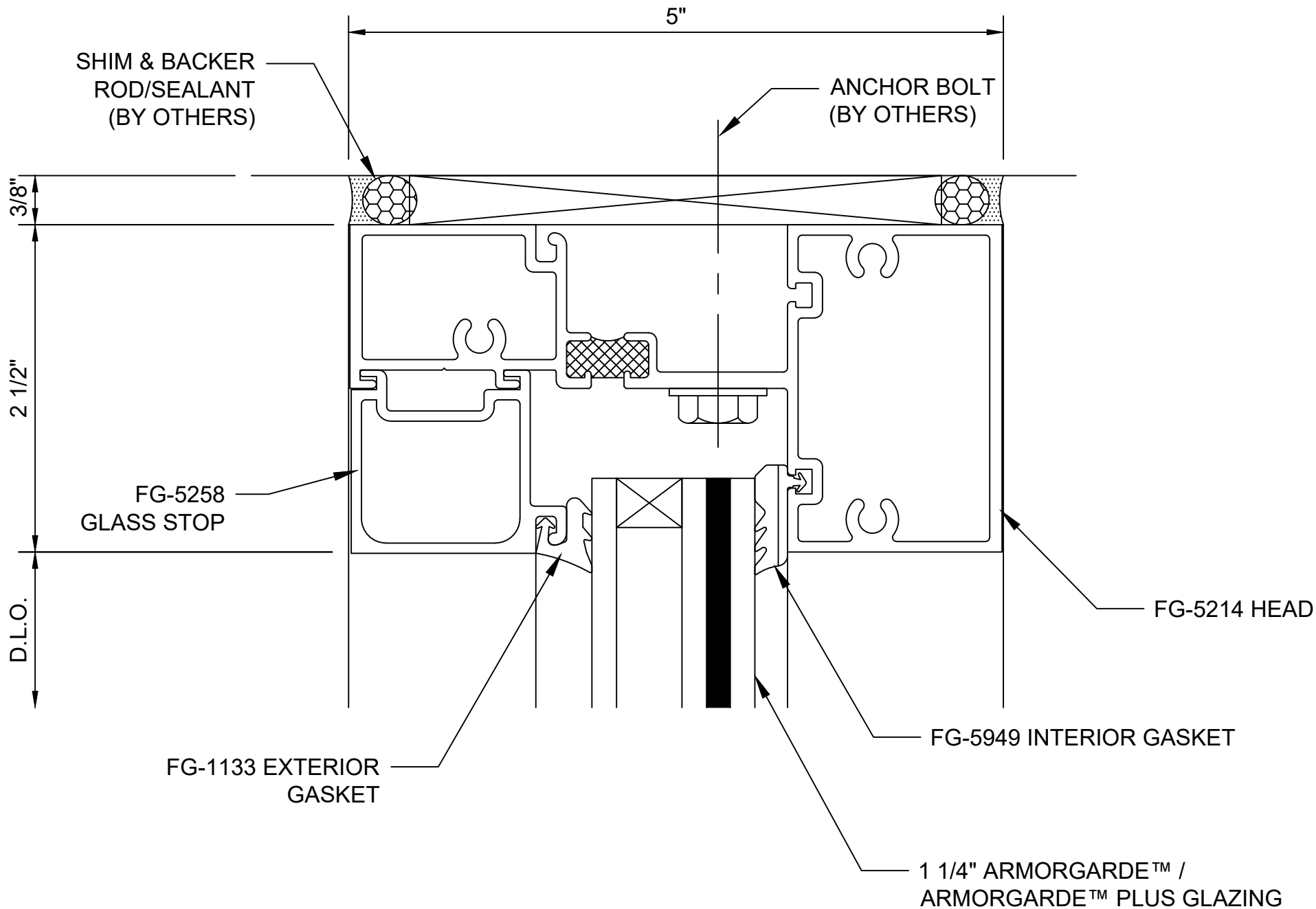
Table of Contents



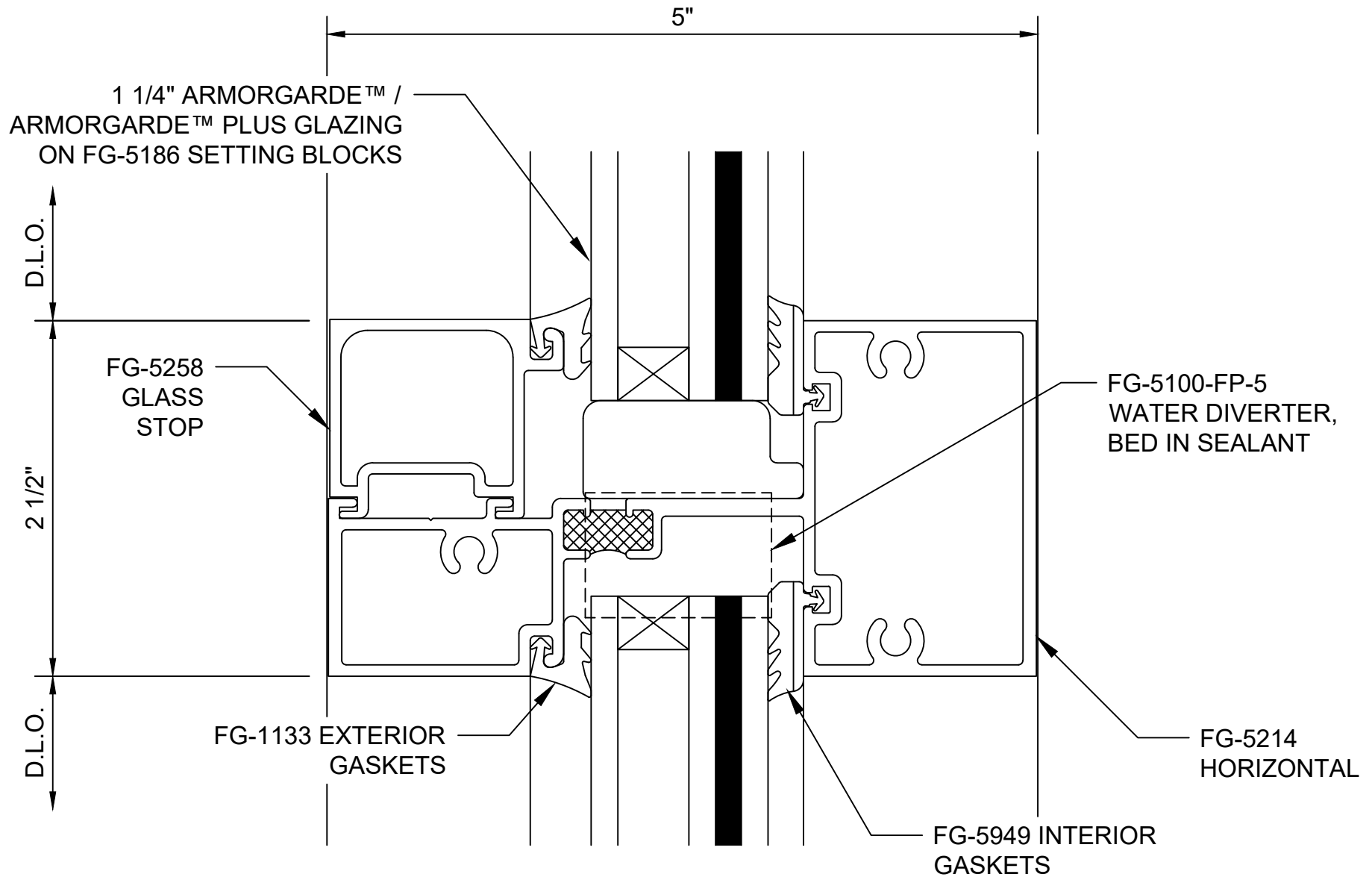
ArmorDefend™ Plus - Dry Glazed
2-1/2" x5" Center Set Storefront w/ 1-1/4" ArmorGarde™/ArmorGarde™ Plus Glazing - Elevation



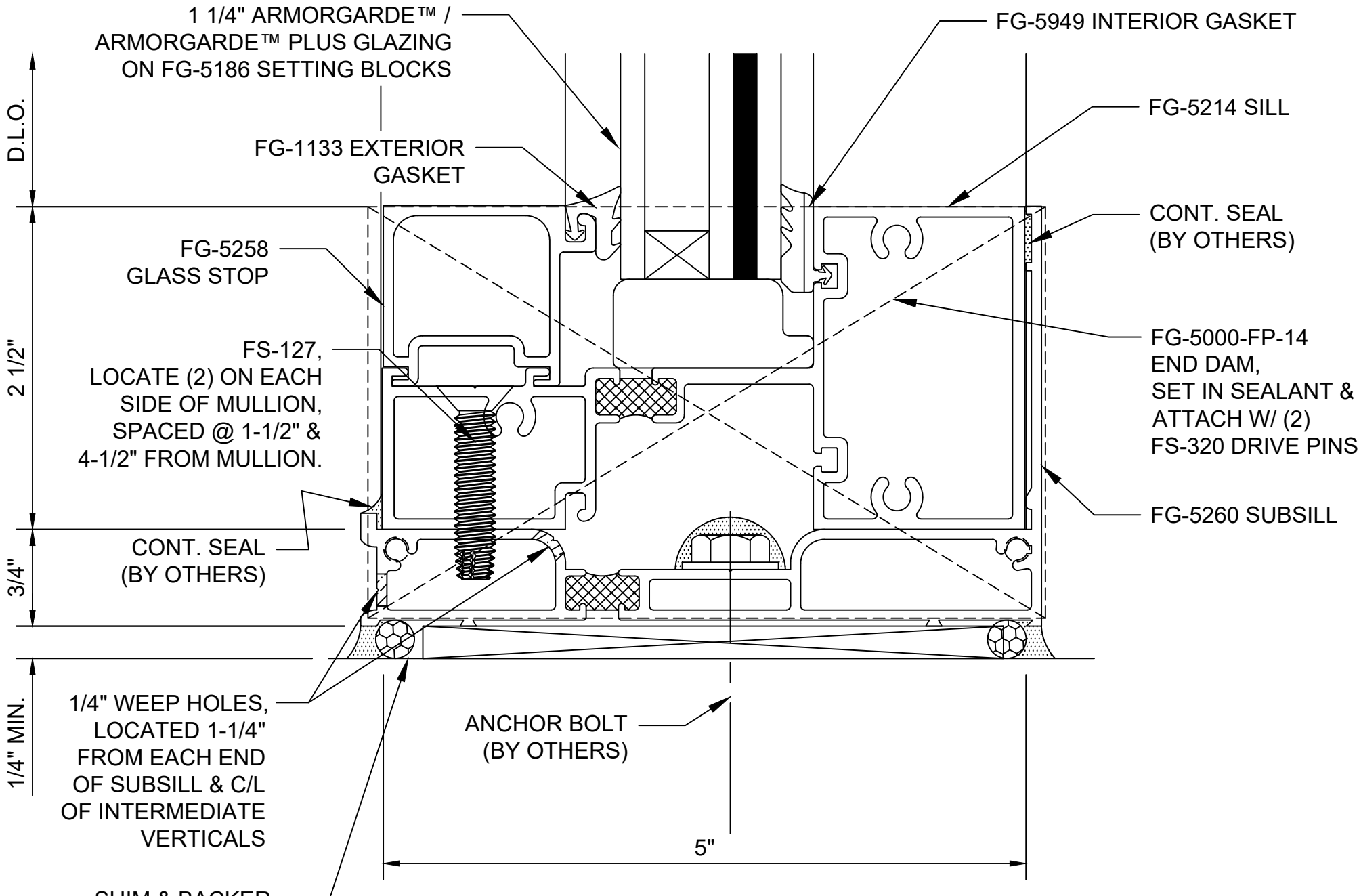
**ArmorDefend™ Plus Storefront - Dry Glazed
Head - H0731**



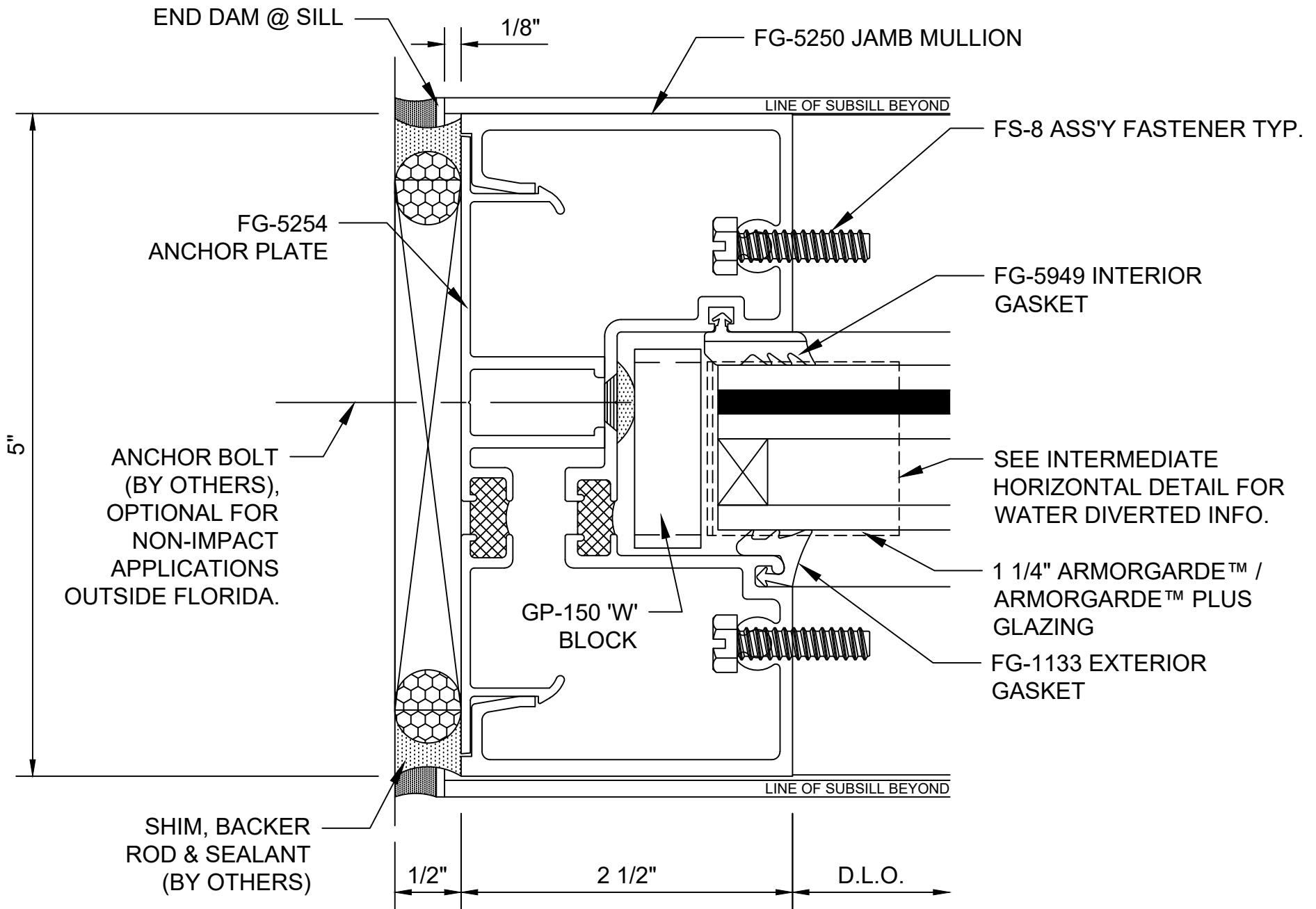
**ArmorDefend™ Plus Storefront - Dry Glazed
Head Option - H0732**



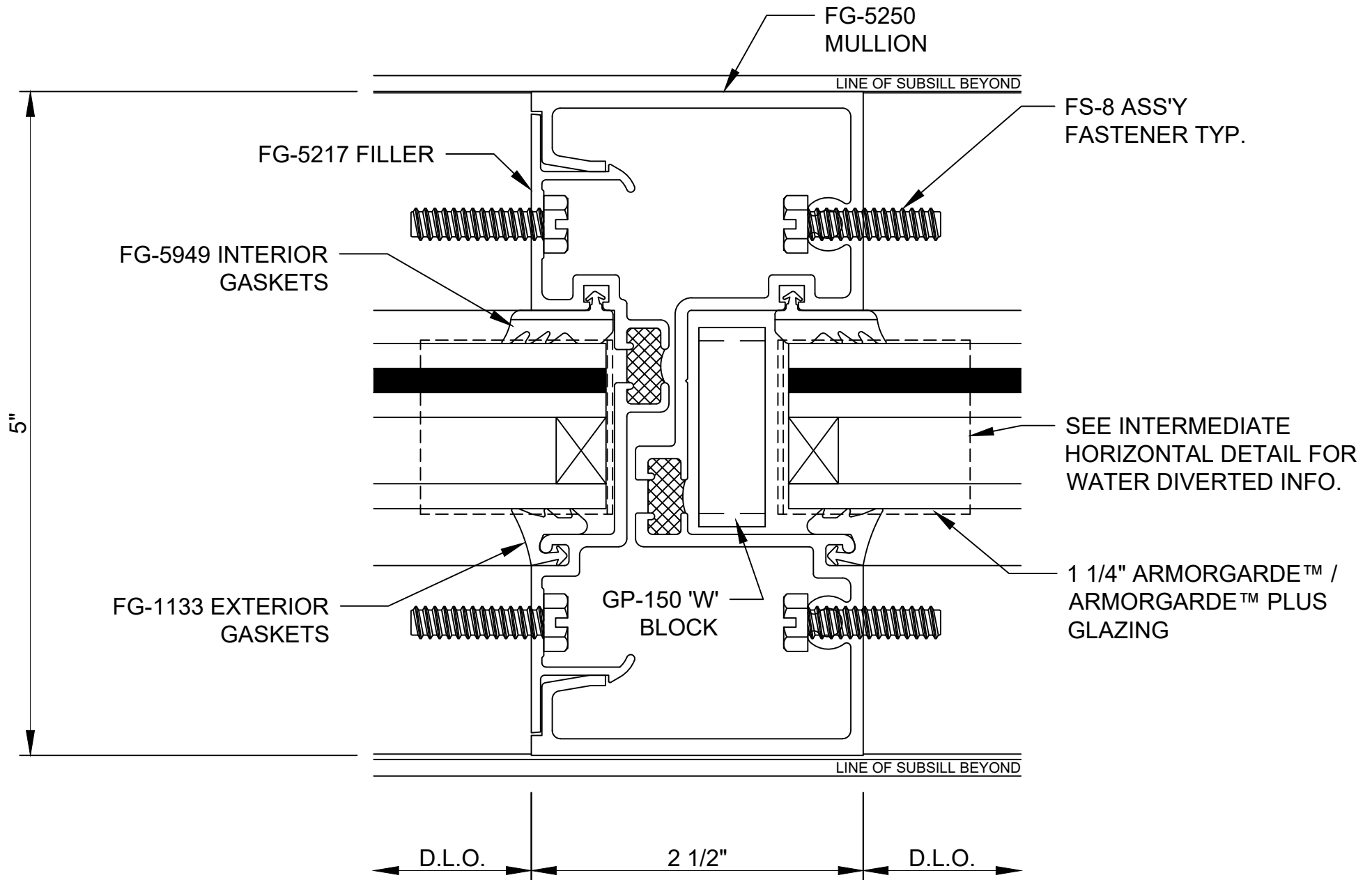
**ArmorDefend™ Plus Storefront - Dry Glazed
Intermediate Horizontal - H0734**



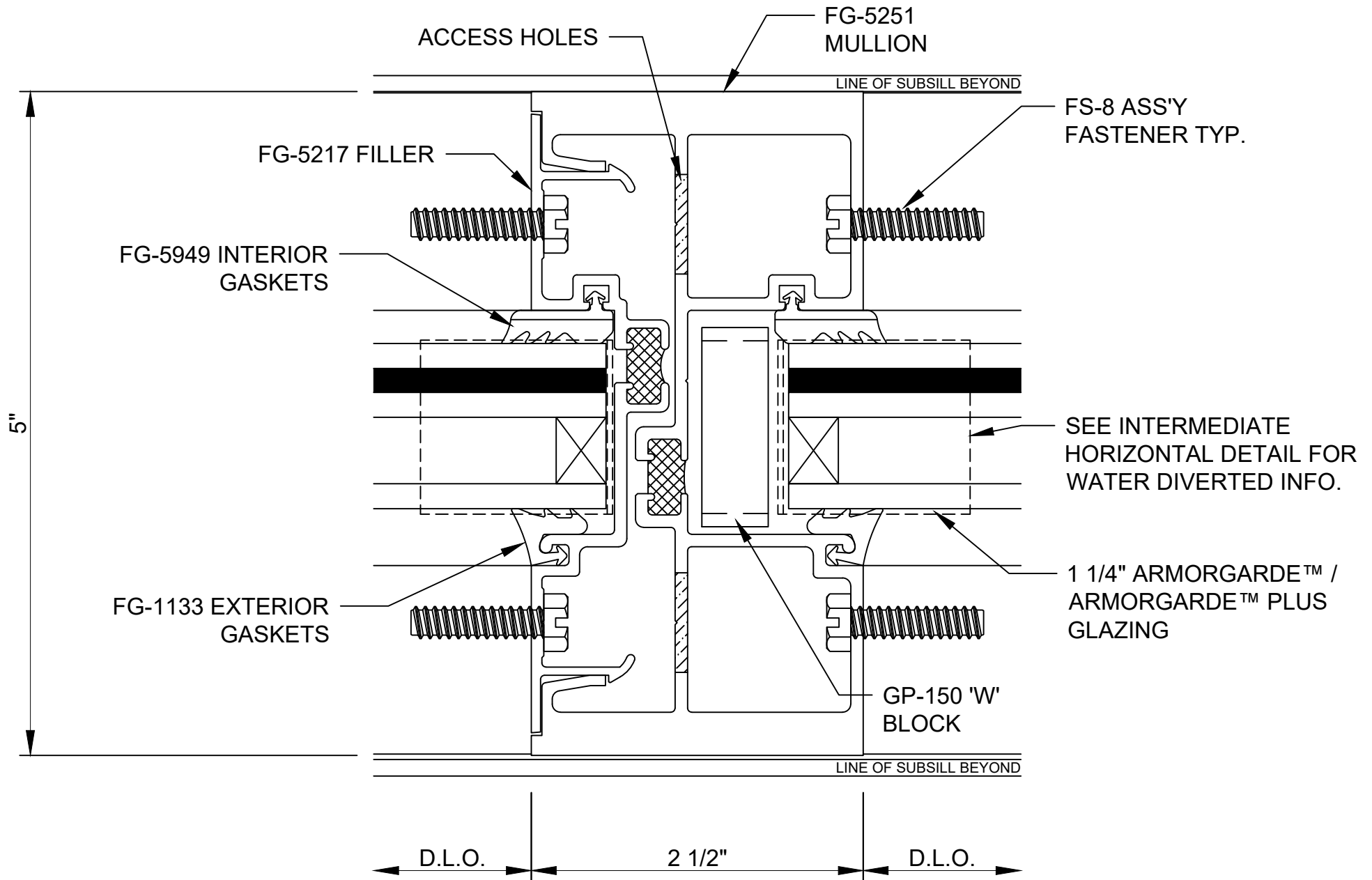
ArmorDefend™ Plus Storefront - Dry Glazed Sill - H0738



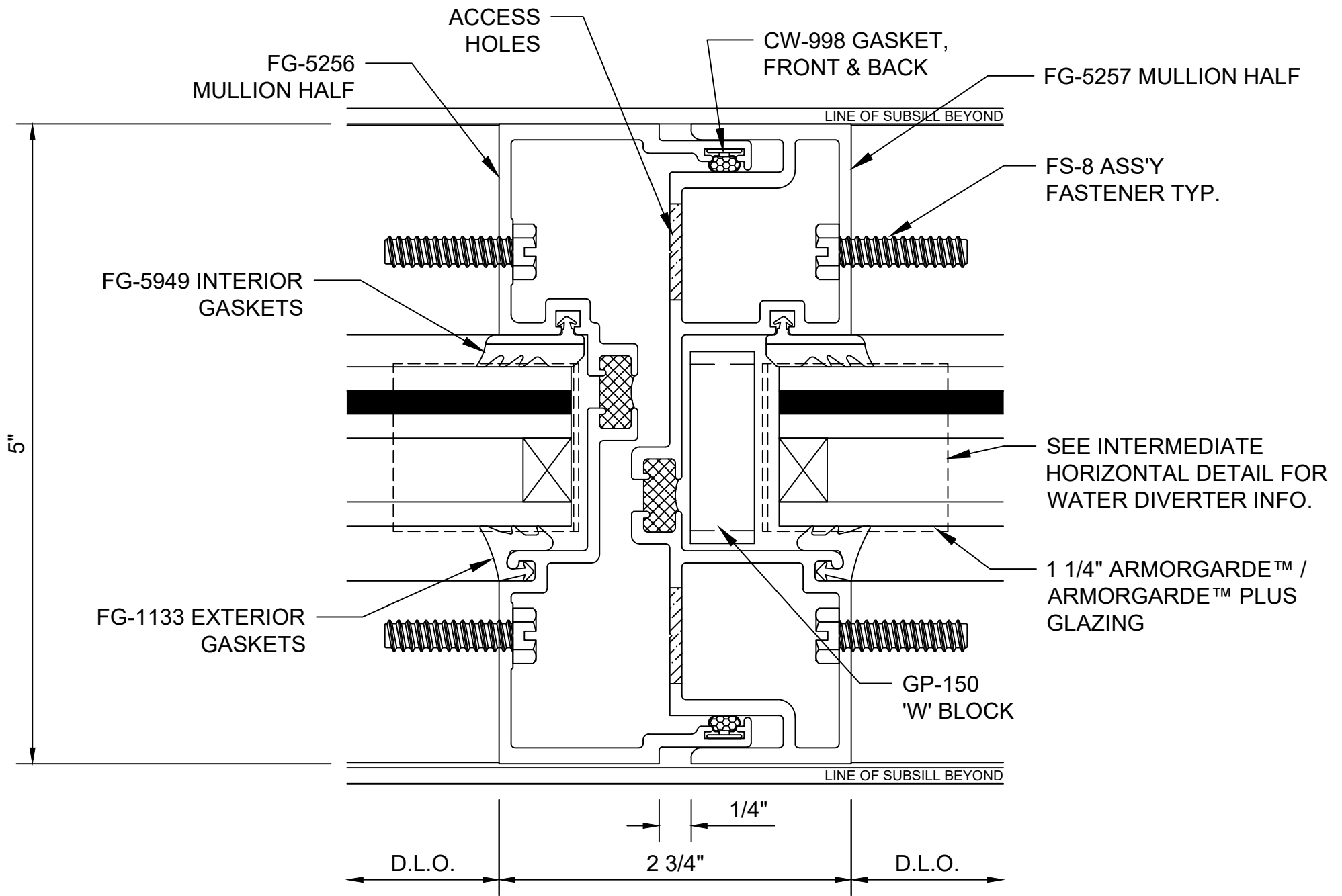
ArmorDefend™ Plus Storefront - Dry Glazed Jamb - V0731



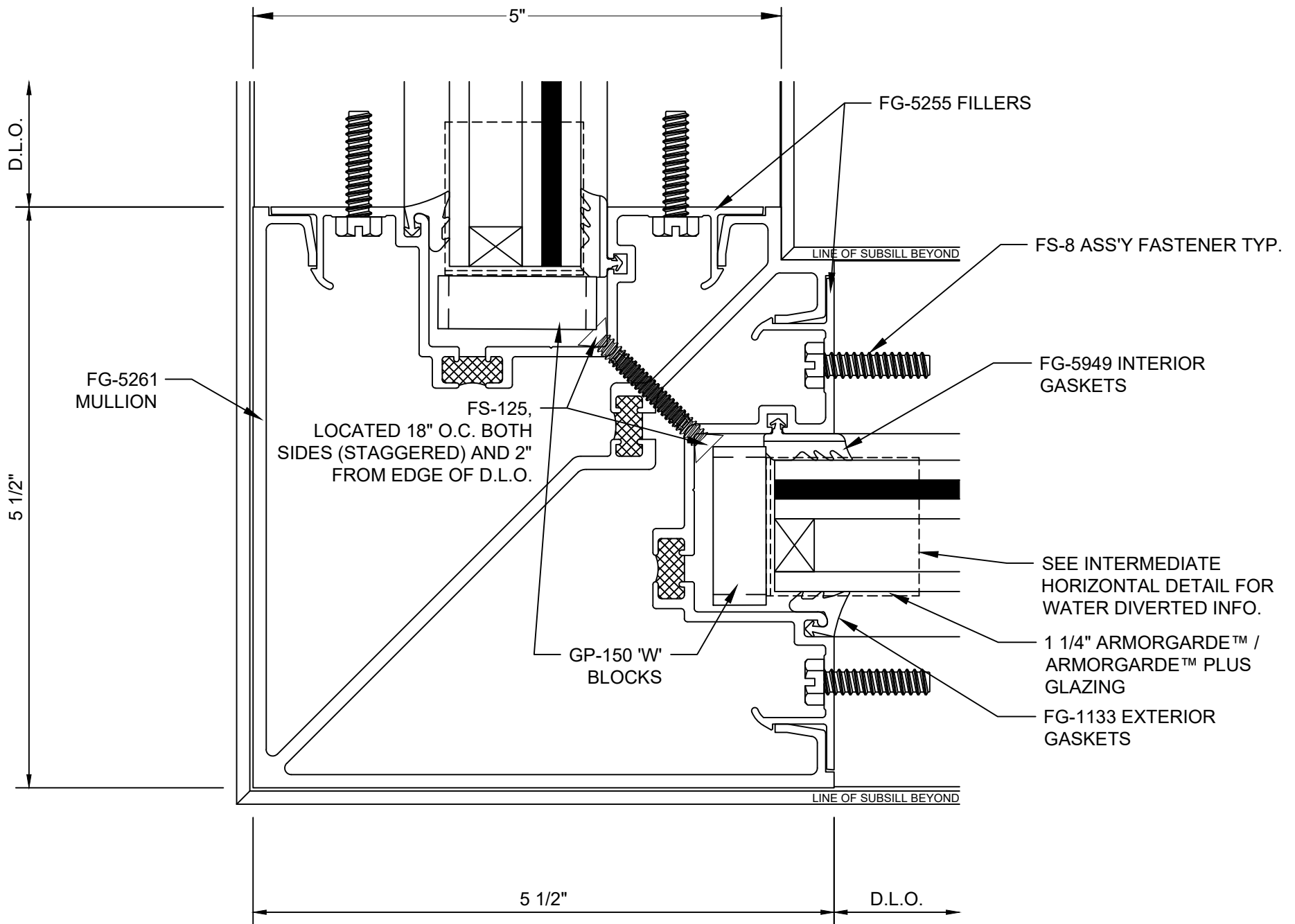
**ArmorDefend™ Plus Storefront - Dry Glazed
 Intermediate Vertical - V0734**



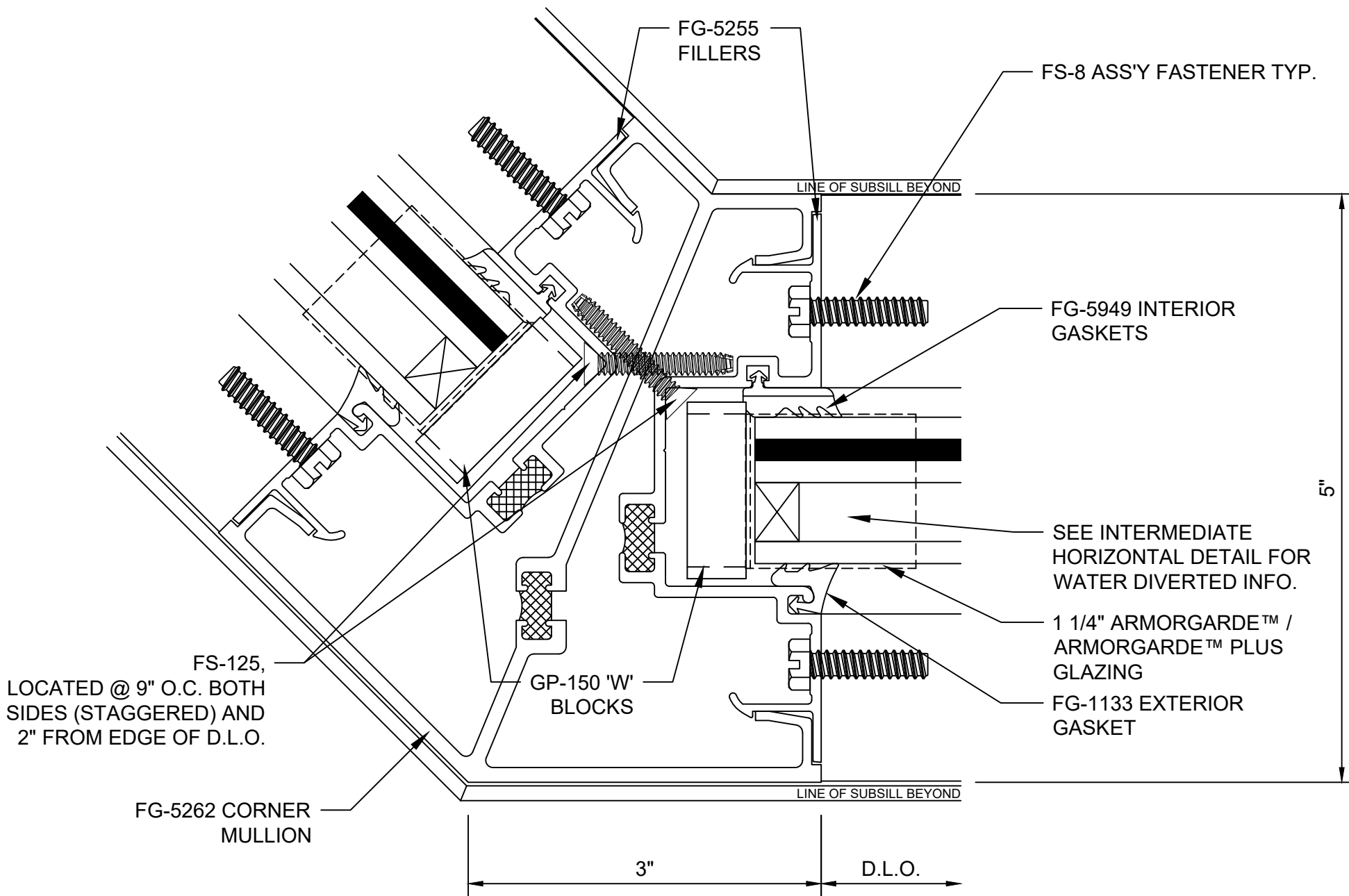
**ArmorDefend™ Plus Storefront - Dry Glazed
Heavy Duty Vertical - V0736**



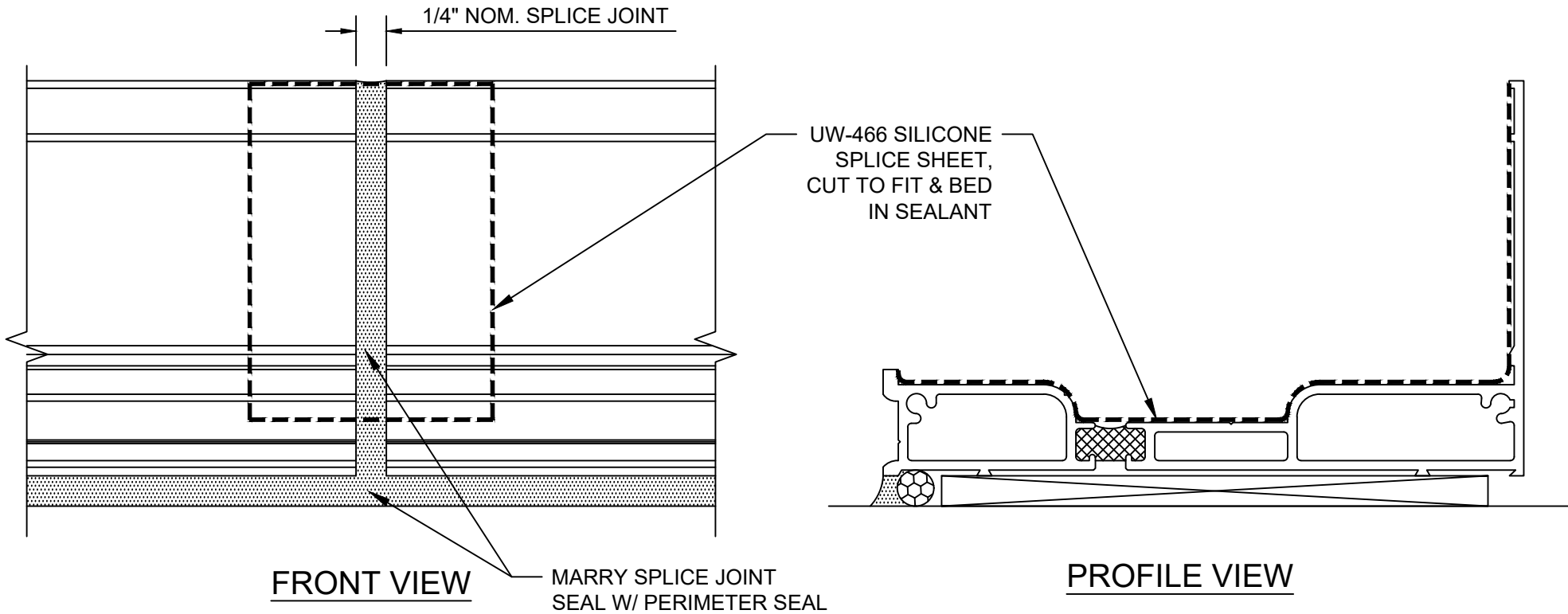
**ArmorDefend™ Plus Storefront - Dry Glazed
 Expansion Vertical - V0738**



**ArmorDefend™ Plus Storefront - Dry Glazed
90° Outside Corner - V0740**



ArmorDefend™ Plus Storefront - Dry Glazed
135° Outside Corner - V0744



**ArmorDefend™ Plus Storefront - Dry Glazed
Subsill Splice - M0701**