

Oldcastle BuildingEnvelope®

1-866-Oldcastle (653-2278) - www.obe.com

PDR-225 WINDOW WALL 2-1/4" X 5" / 1" GLAZING

Elevation-PDR-225-225x500in

H1901-Head-InsideGlz

H1902-Head-OutsideGlz

H1903-Head-InsideGlz-Slab-Cover

H1904-Head-OutsideGlz-Slab-Cover

H1905-Horiz-InsideGlz

H1906-Horiz-OutsideGlz

H1910-Sill

H1911-Sill-at-Slab-Cover

H1913-Slab-Edge-Cover

H1916-Horiz-at-Opwin

H1920-Head-Sill-Anchor

V1901-Jamb

V1905-Vertical-Typical

V1906-Vertical-Heavy

V1907-Vertical-Expansion

V1908-Vertical-at-OpWin

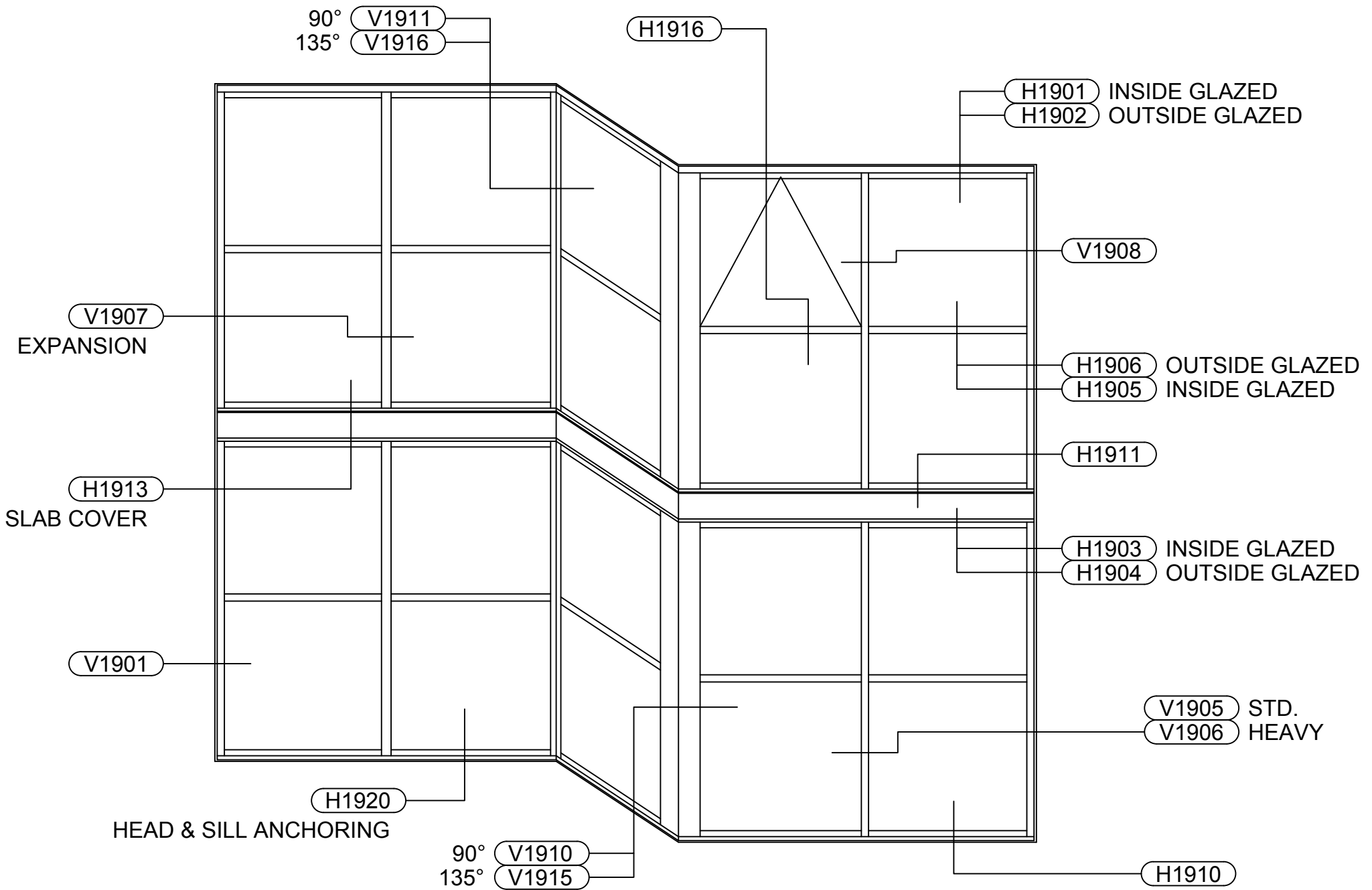
V1910-90-Outside-Corner

V1911-90-Inside-Corner

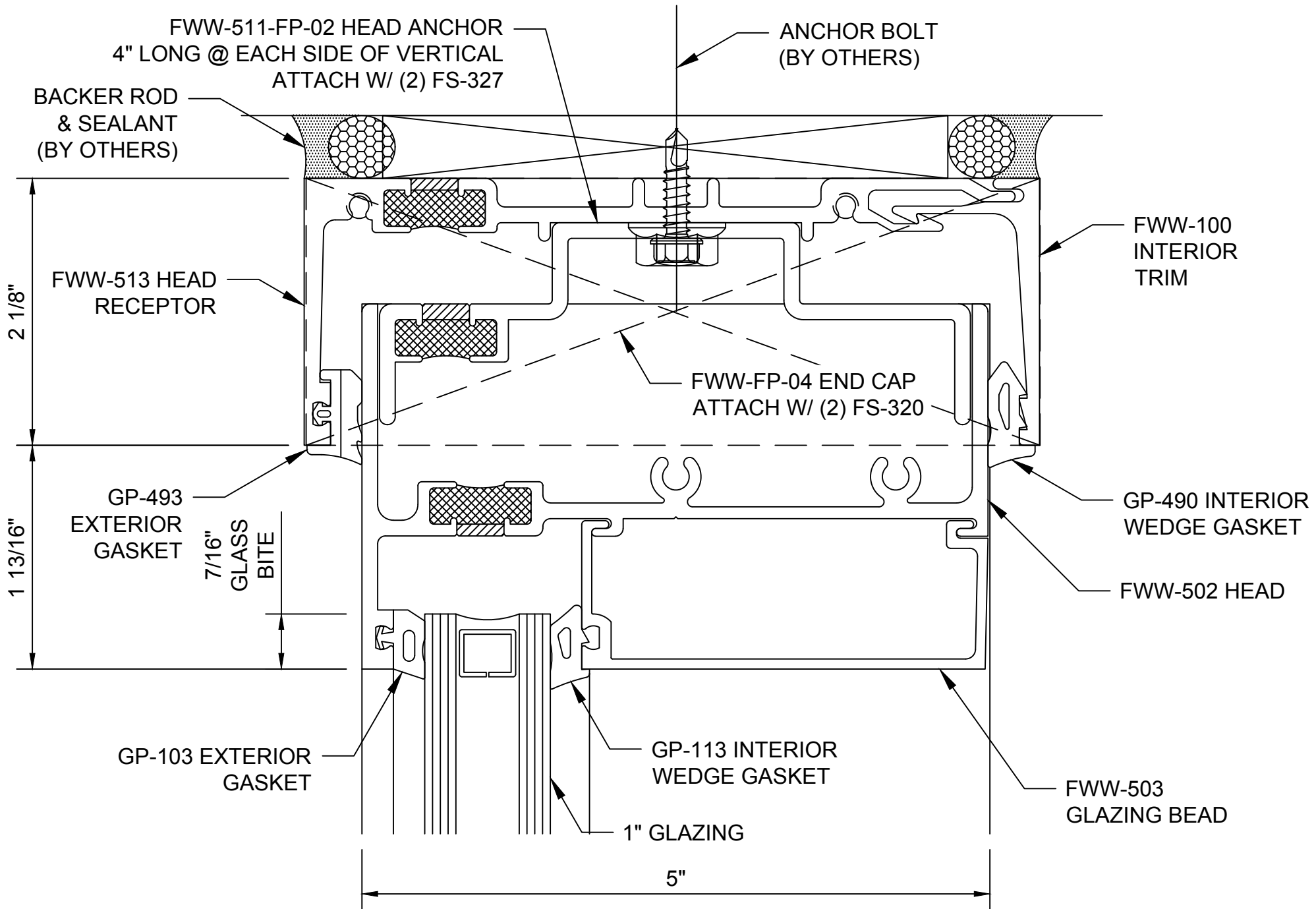
V1915-135-Outside-Corner

V1916-135-Inside-Corner

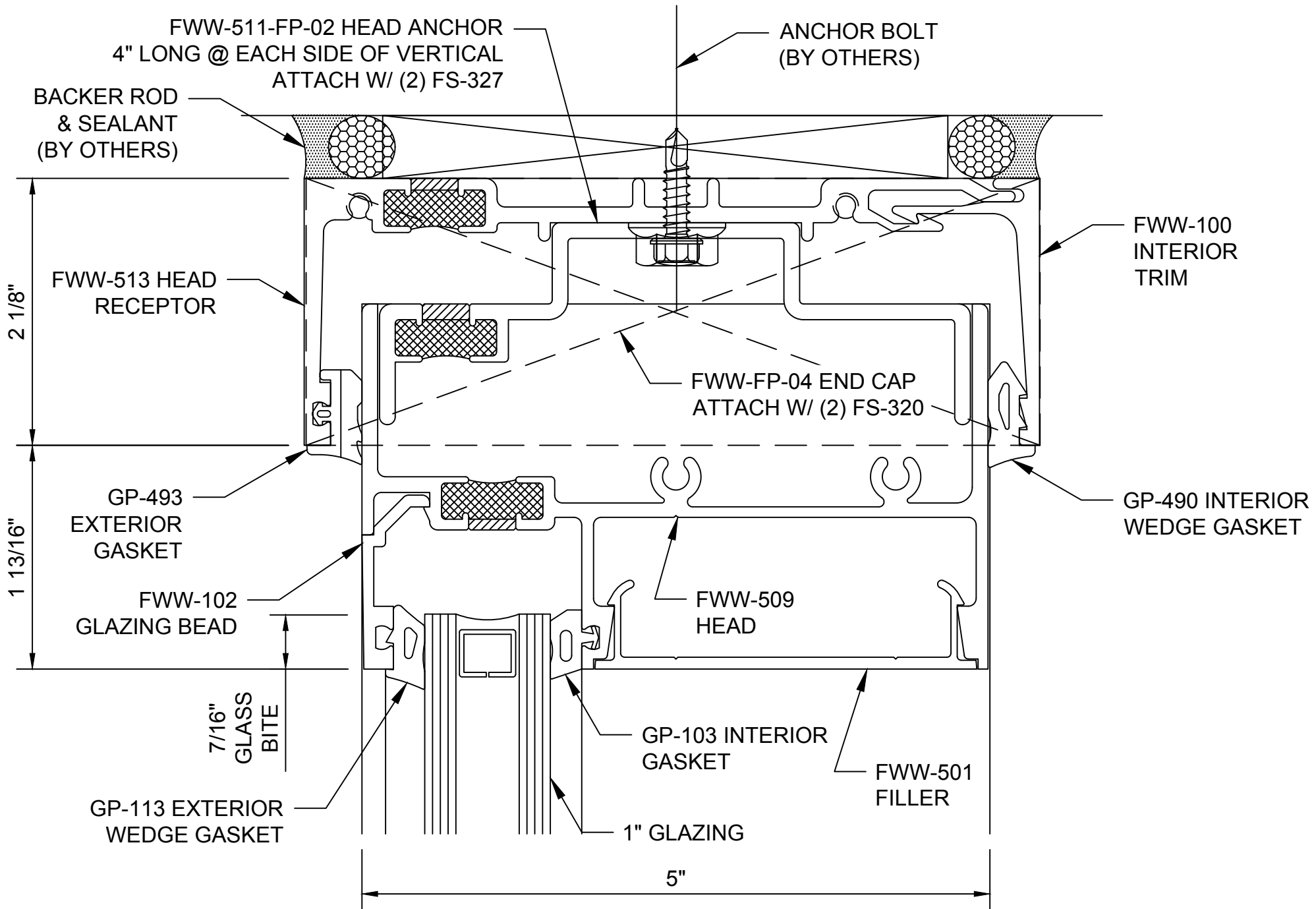
Table of Contents



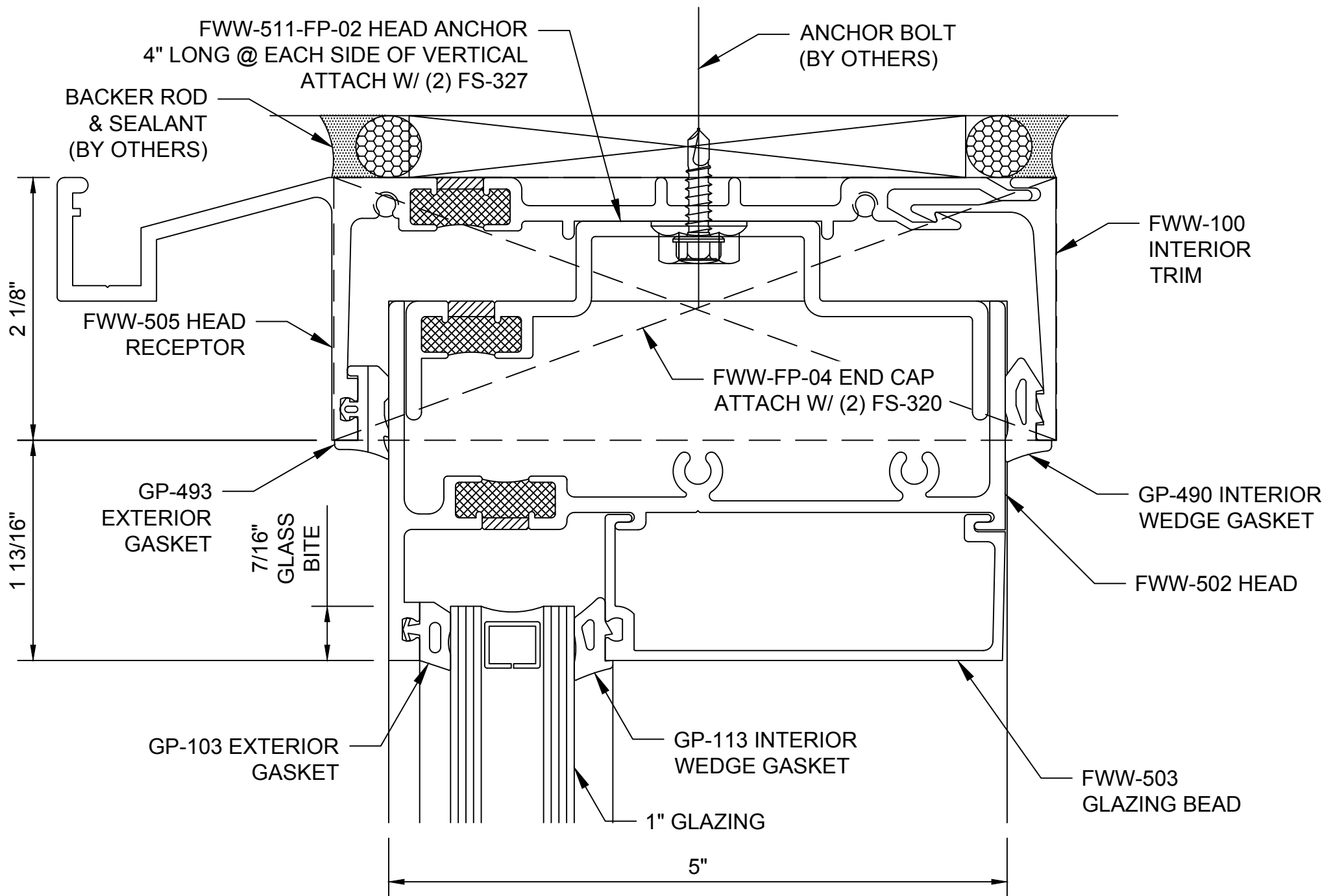
PDR-225 Window Wall - Elevation
2-1/4" x 5" / 1" Glazing



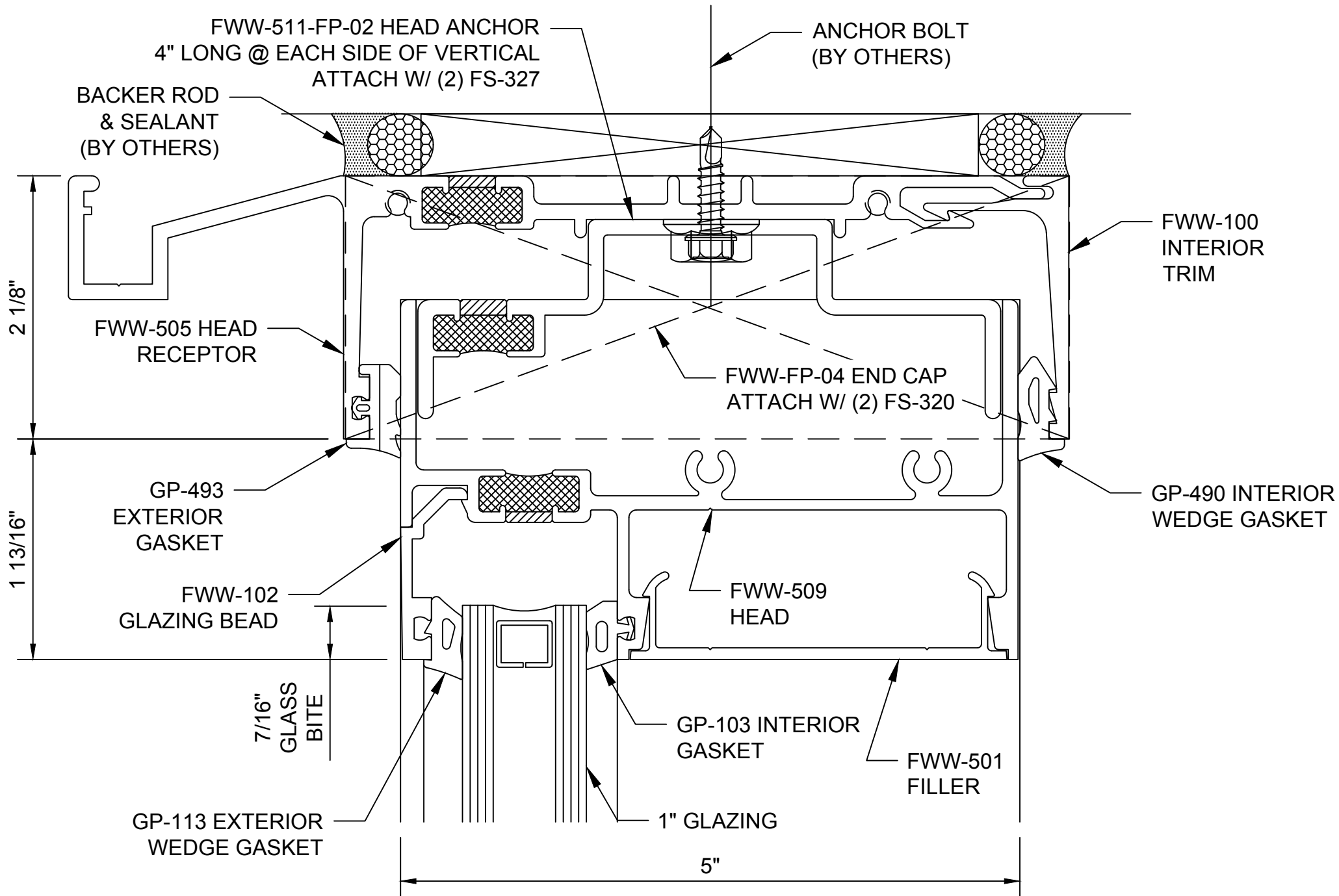
**PDR-225 Window Wall
Head Horizontal - H1901**



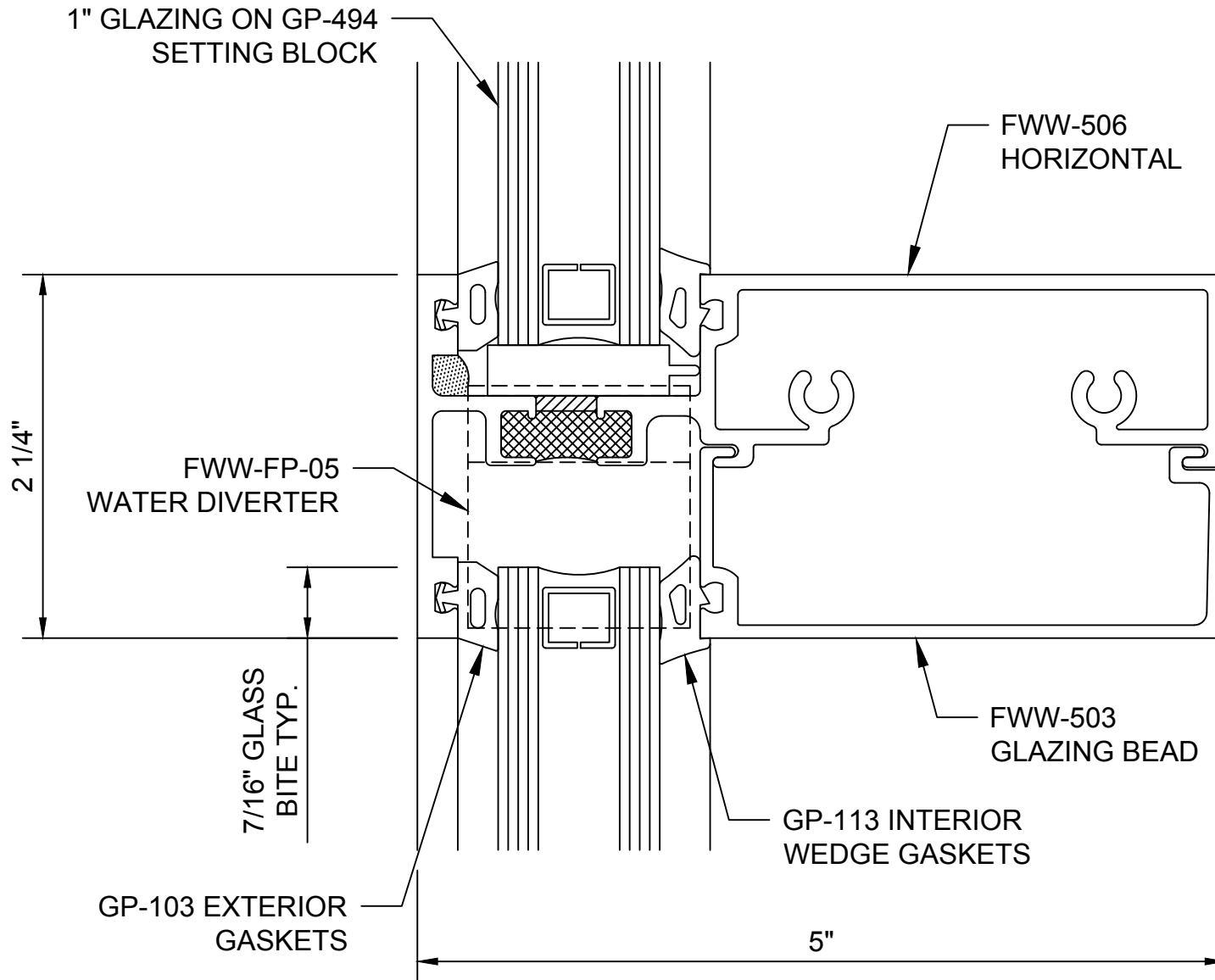
**PDR-225 Window Wall
 Head Horizontal - H1902**



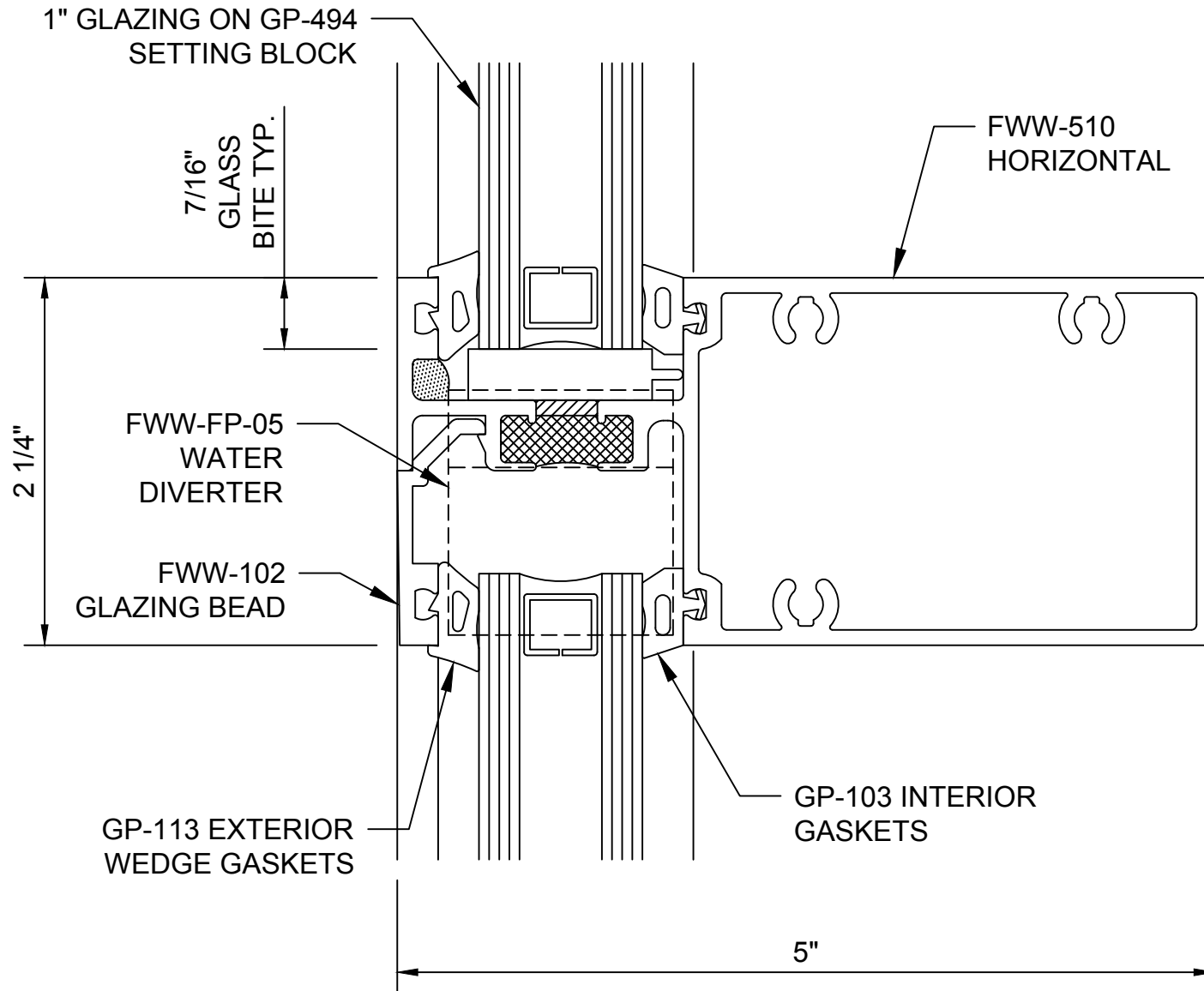
**PDR-225 Window Wall
Head Horizontal - H1903**



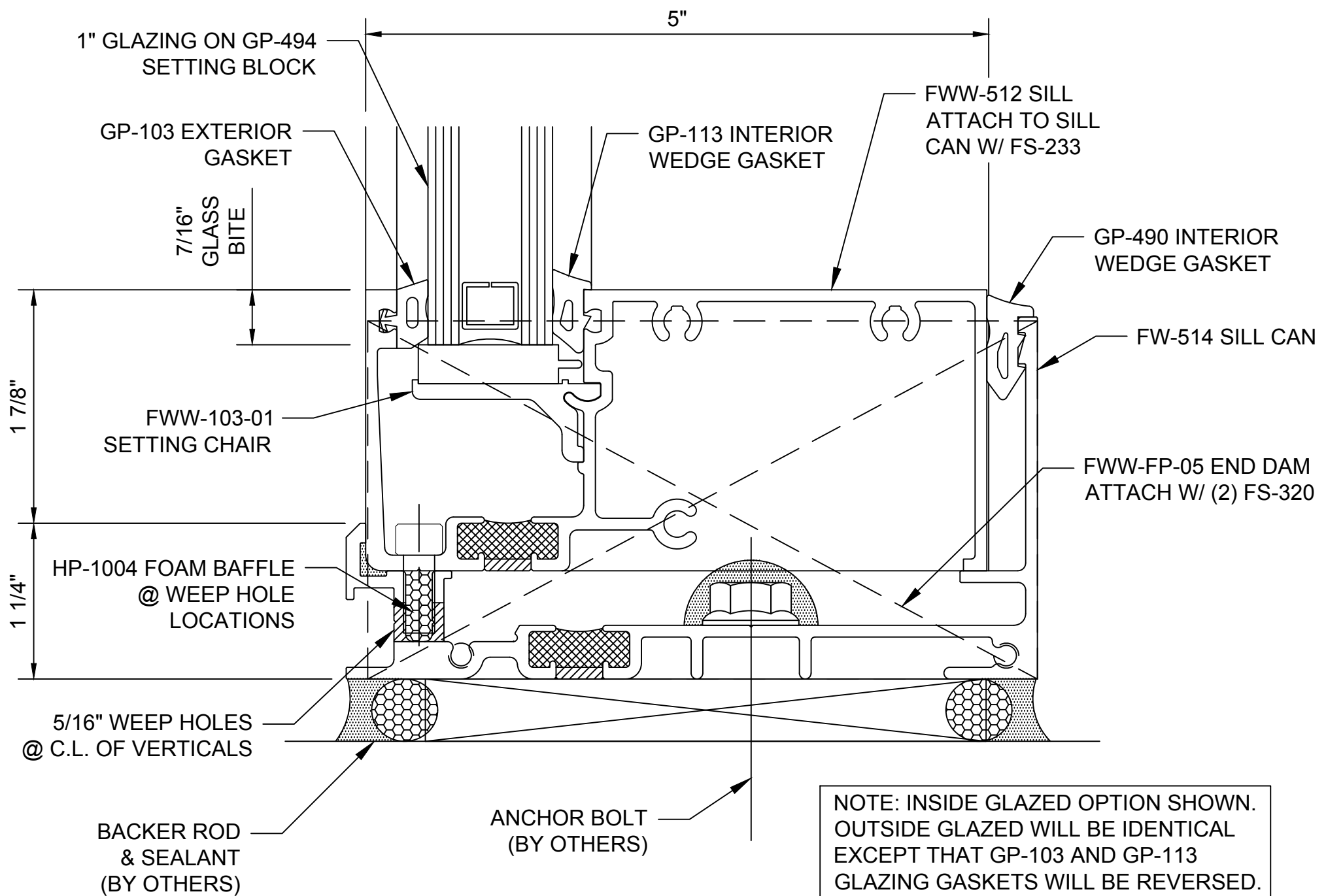
**PDR-225 Window Wall
Head Horizontal - H1904**



PDR-225 Window Wall
Intermediate Horizontal - H1905

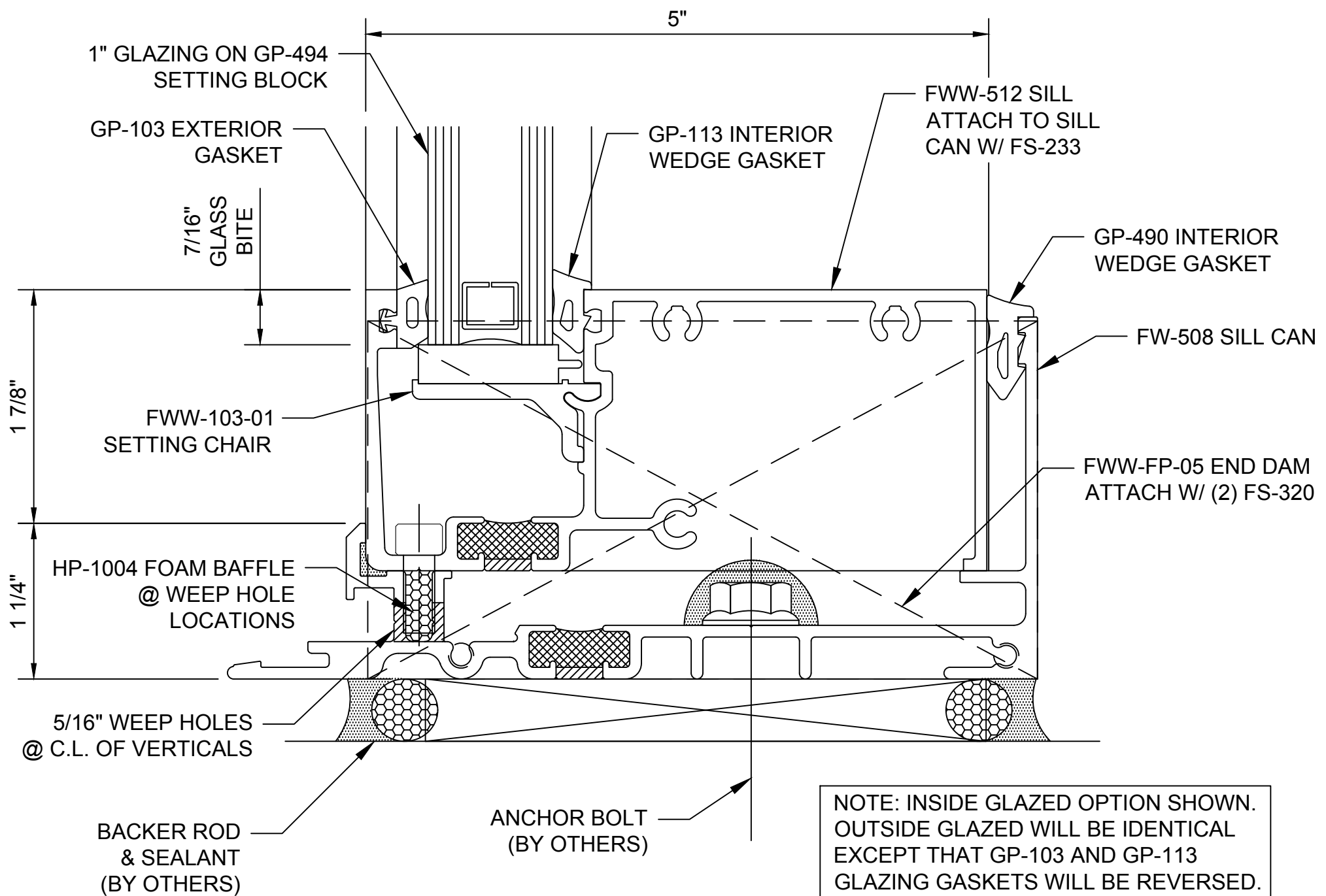


PDR-225 Window Wall
Intermediate Horizontal - H1906



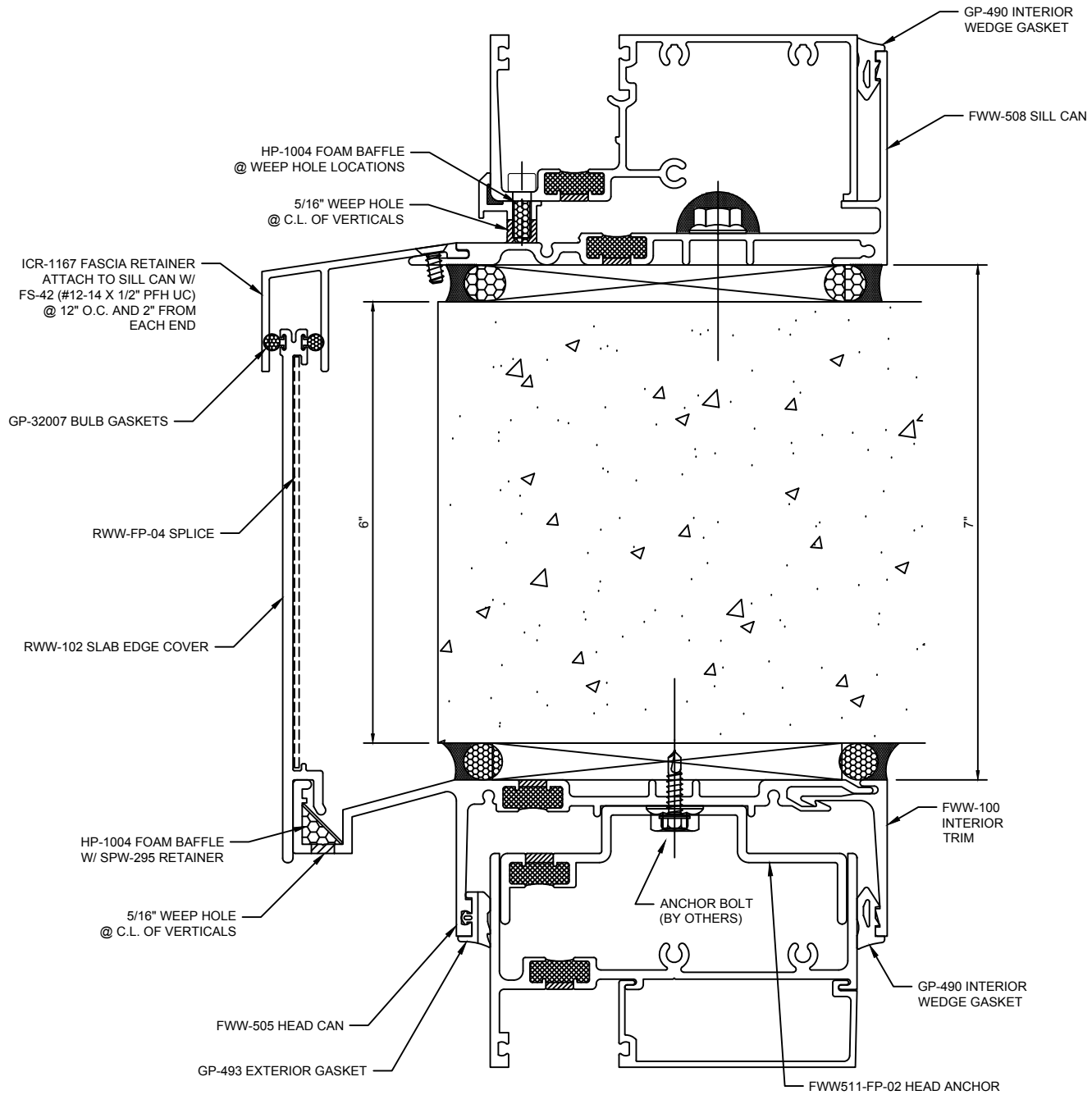
NOTE: INSIDE GLAZED OPTION SHOWN. OUTSIDE GLAZED WILL BE IDENTICAL EXCEPT THAT GP-103 AND GP-113 GLAZING GASKETS WILL BE REVERSED.

**PDR-225 Window Wall
Sill Horizontal - H1910**

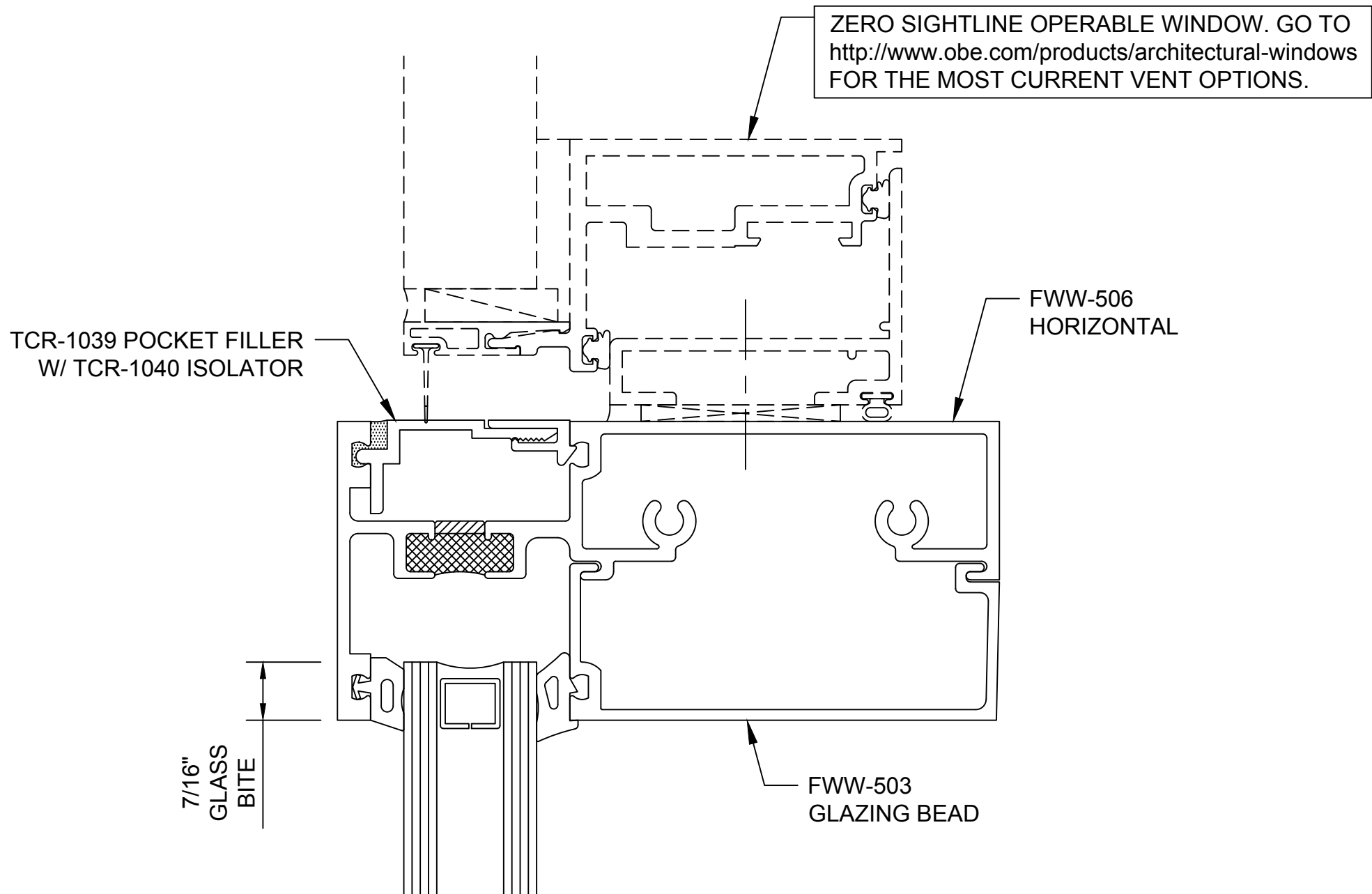


NOTE: INSIDE GLAZED OPTION SHOWN. OUTSIDE GLAZED WILL BE IDENTICAL EXCEPT THAT GP-103 AND GP-113 GLAZING GASKETS WILL BE REVERSED.

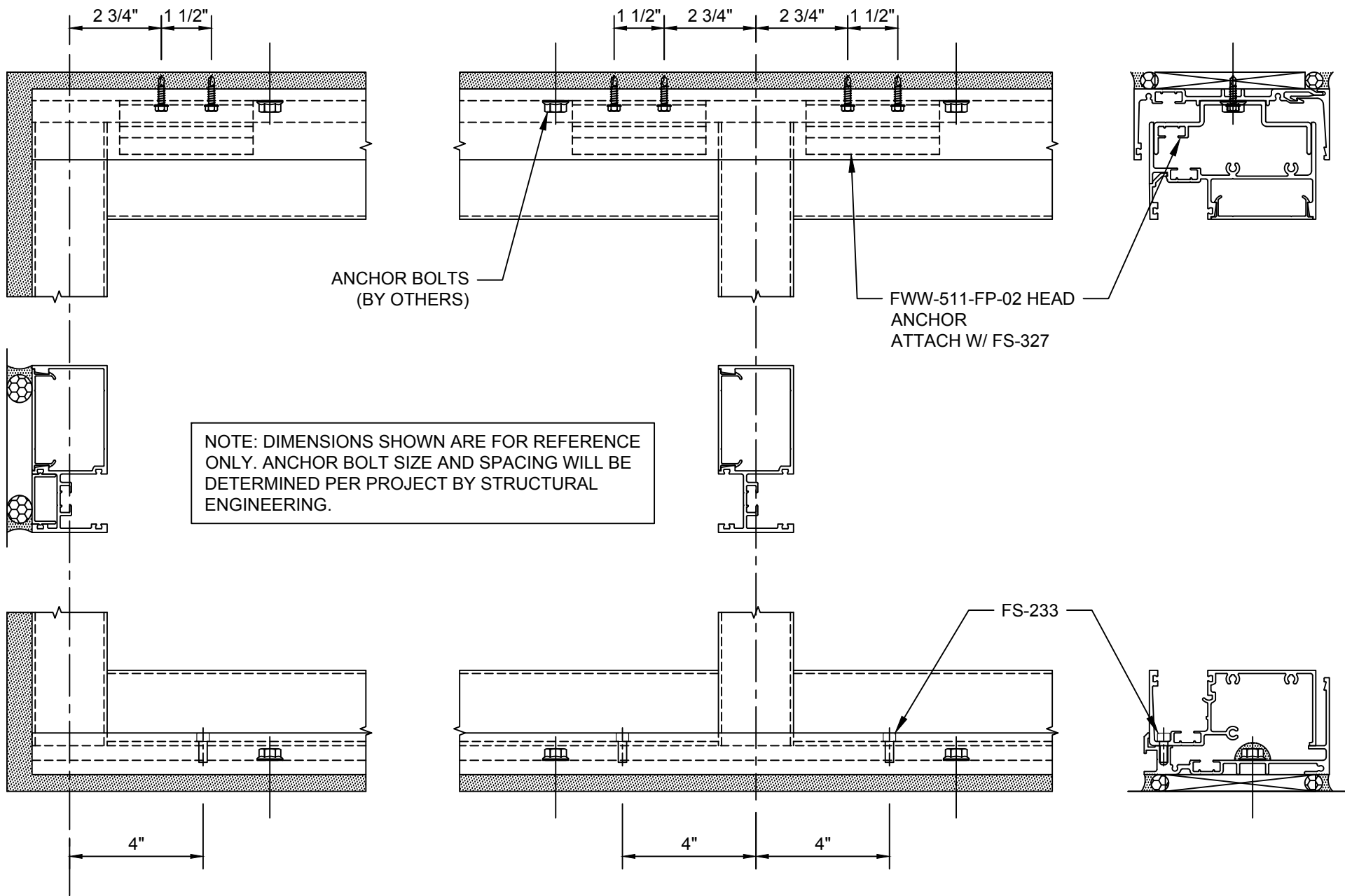
**PDR-225 Window Wall
Sill Horizontal - H1911**



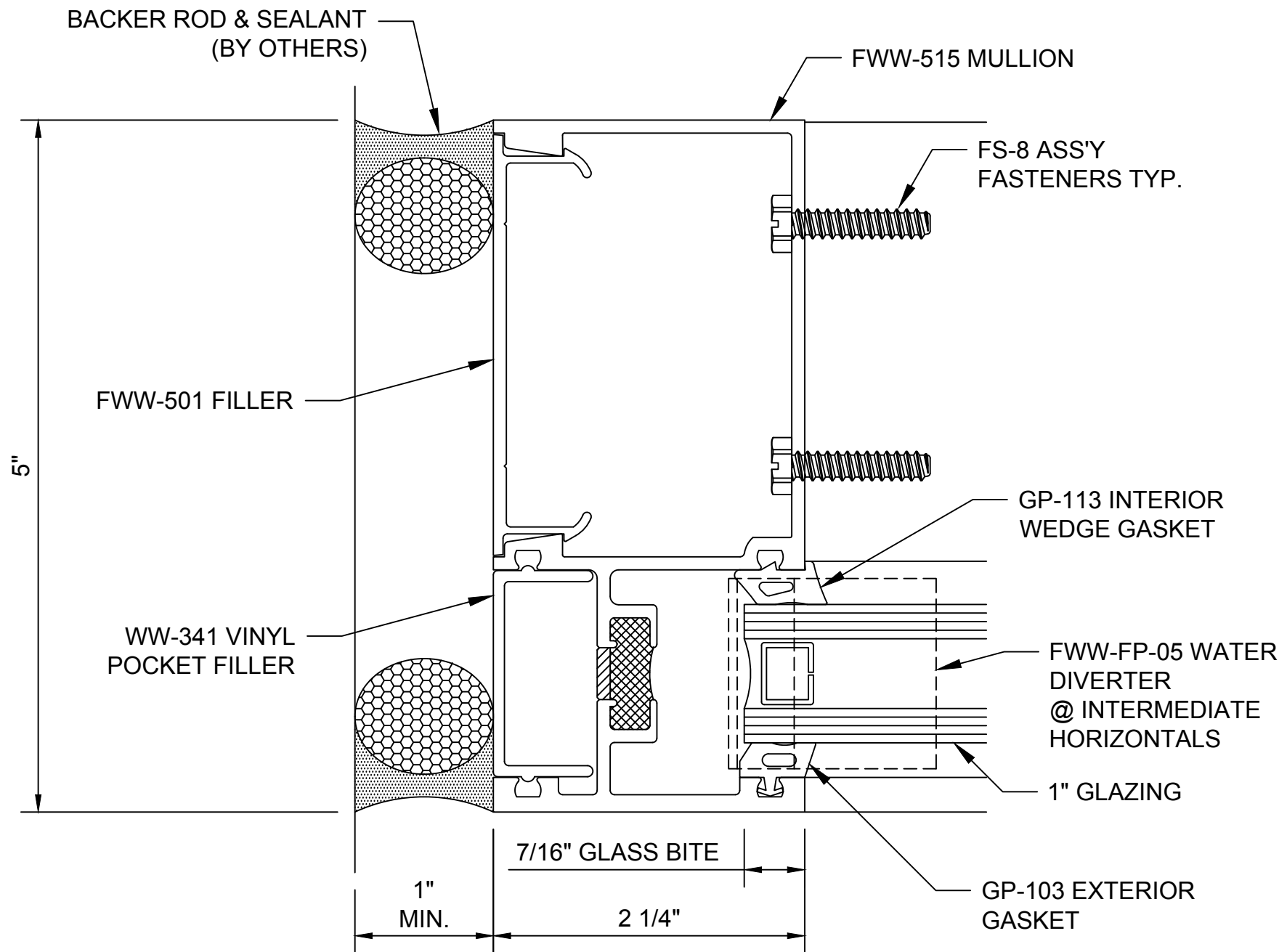
PDR-225 Window Wall Slab Edge Cover - H1913



**PDR-225 Window Wall
Horizontal at Operable Window - H1916**

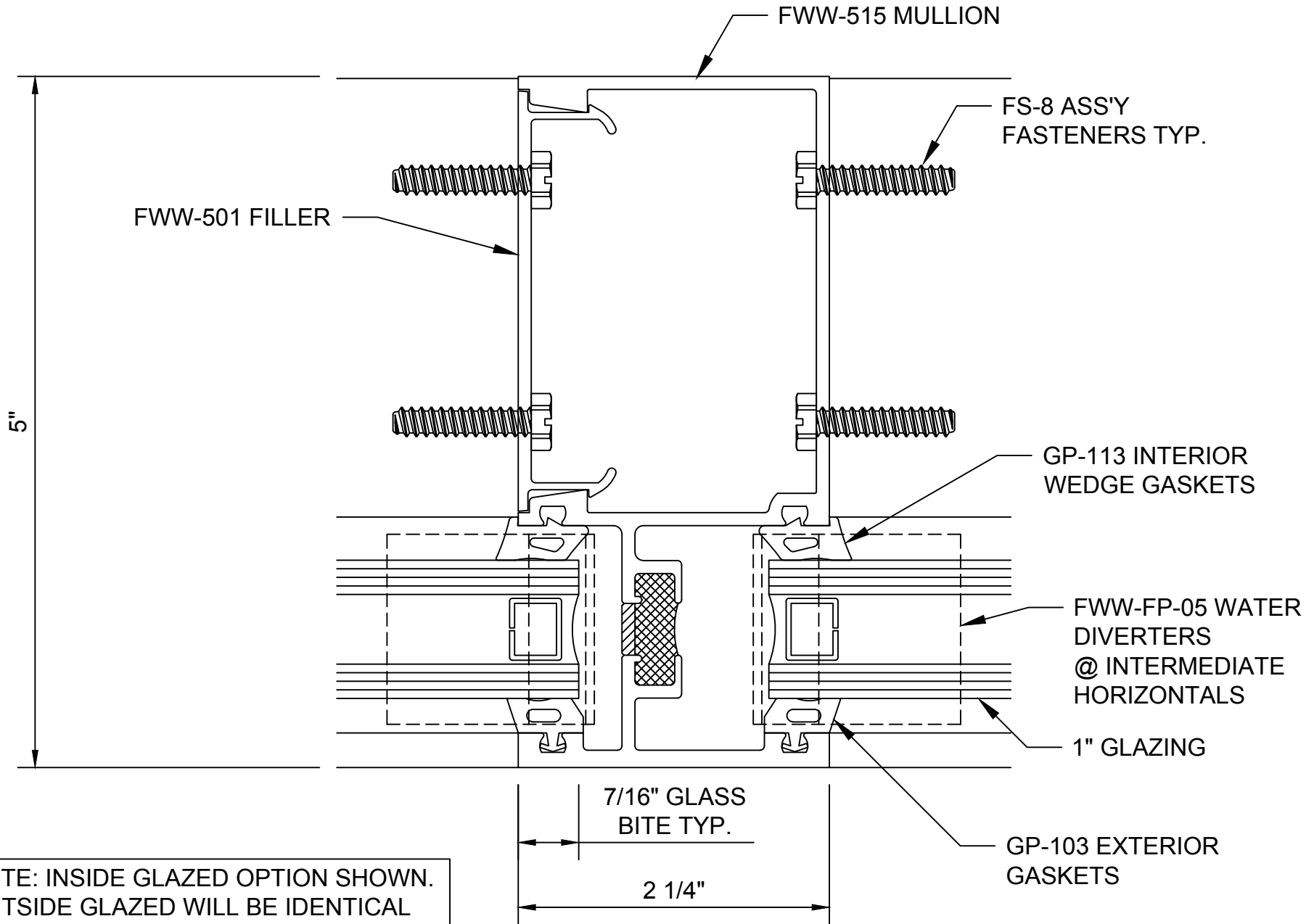


PDR-225 Window Wall Head & Sill Anchoring - H1920



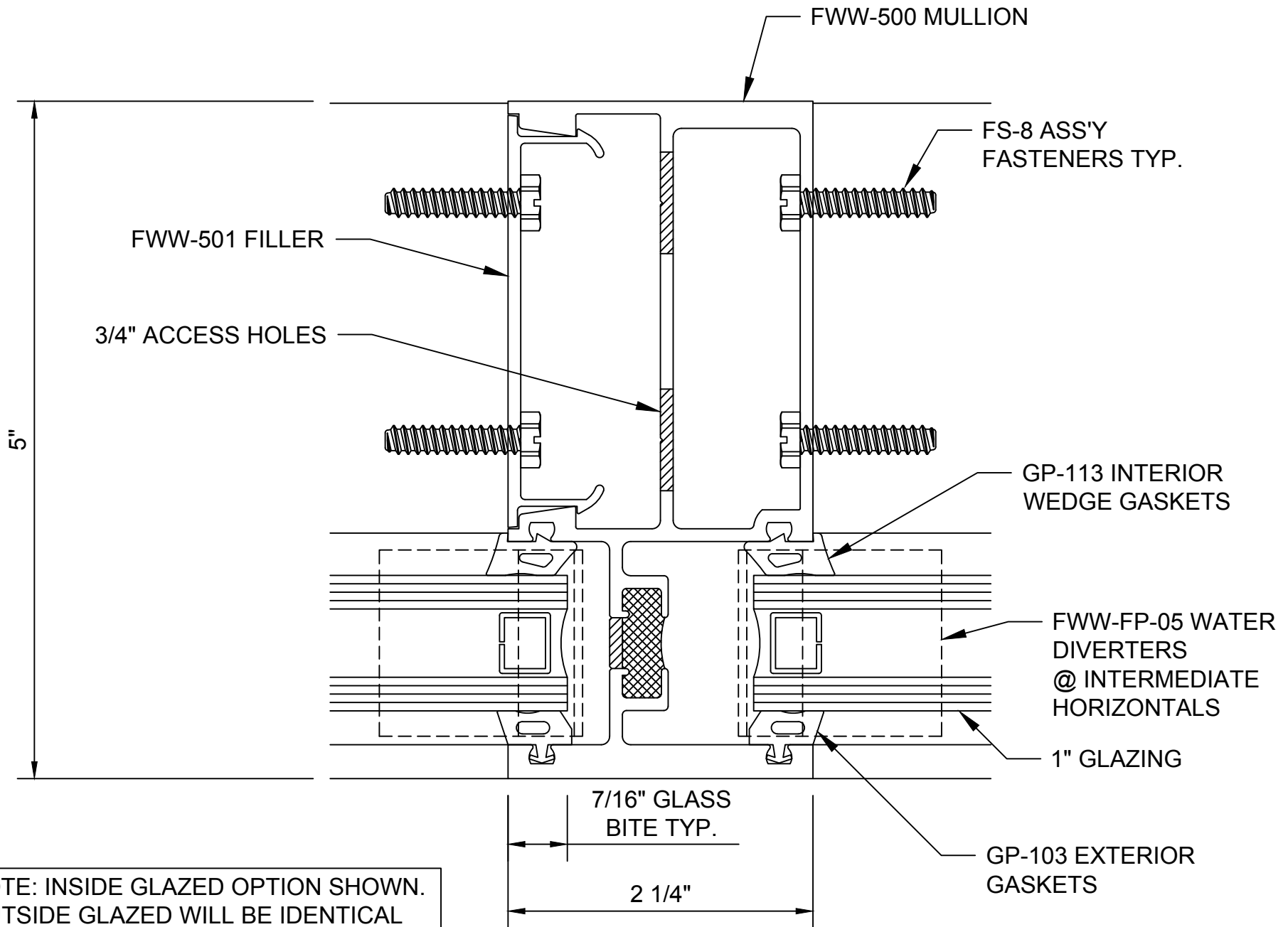
NOTE: INSIDE GLAZED OPTION SHOWN.
 OUTSIDE GLAZED WILL BE IDENTICAL
 EXCEPT THAT GP-103 AND GP-113
 GLAZING GASKETS WILL BE REVERSED.

PDR-225 Window Wall Jamb Vertical - V1901



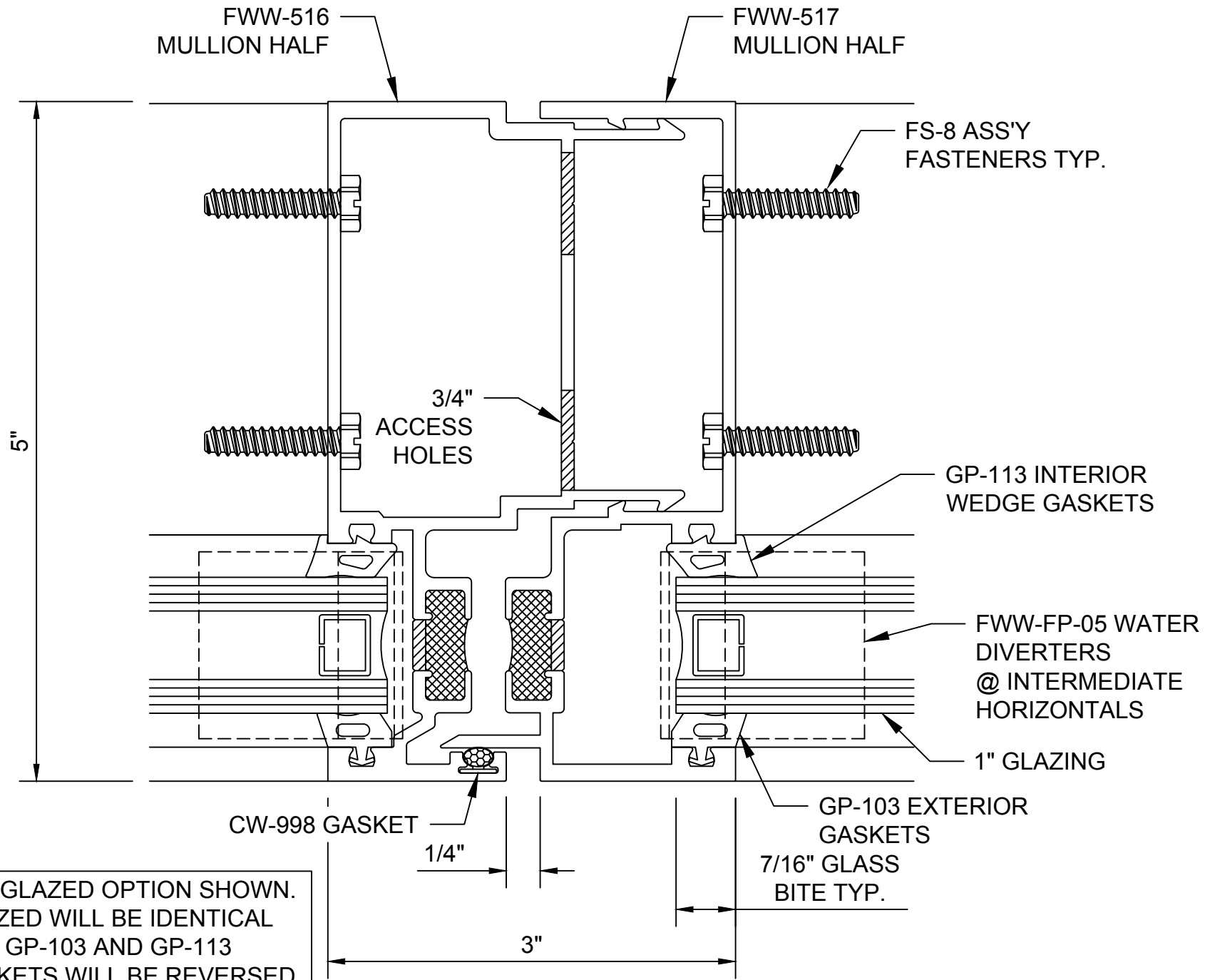
NOTE: INSIDE GLAZED OPTION SHOWN.
 OUTSIDE GLAZED WILL BE IDENTICAL
 EXCEPT THAT GP-103 AND GP-113
 GLAZING GASKETS WILL BE REVERSED.

PDR-225 Window Wall
Intermediate Vertical - V1905



NOTE: INSIDE GLAZED OPTION SHOWN. OUTSIDE GLAZED WILL BE IDENTICAL EXCEPT THAT GP-103 AND GP-113 GLAZING GASKETS WILL BE REVERSED.

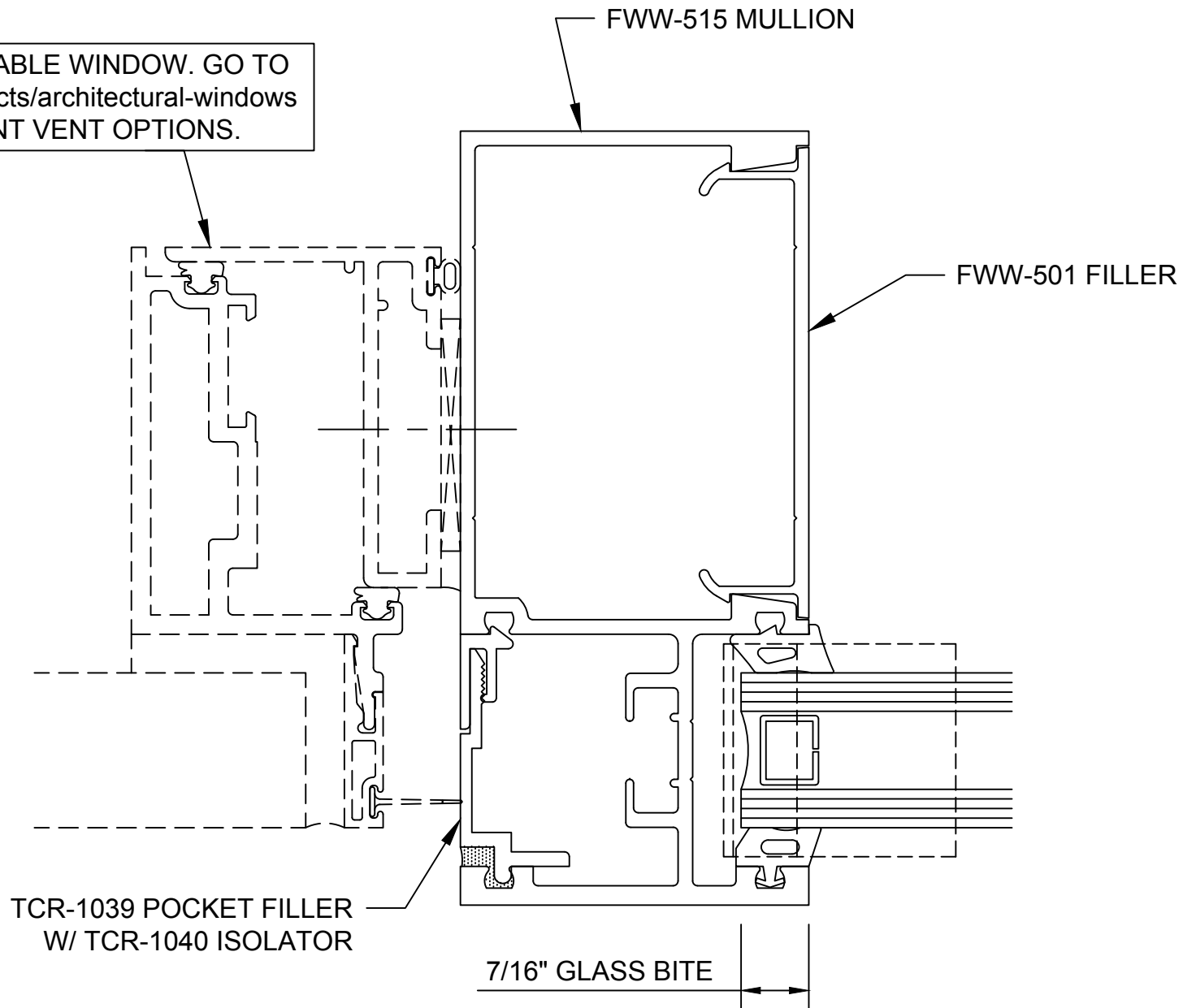
**PDR-225 Window Wall
Heavy Vertical - V1906**



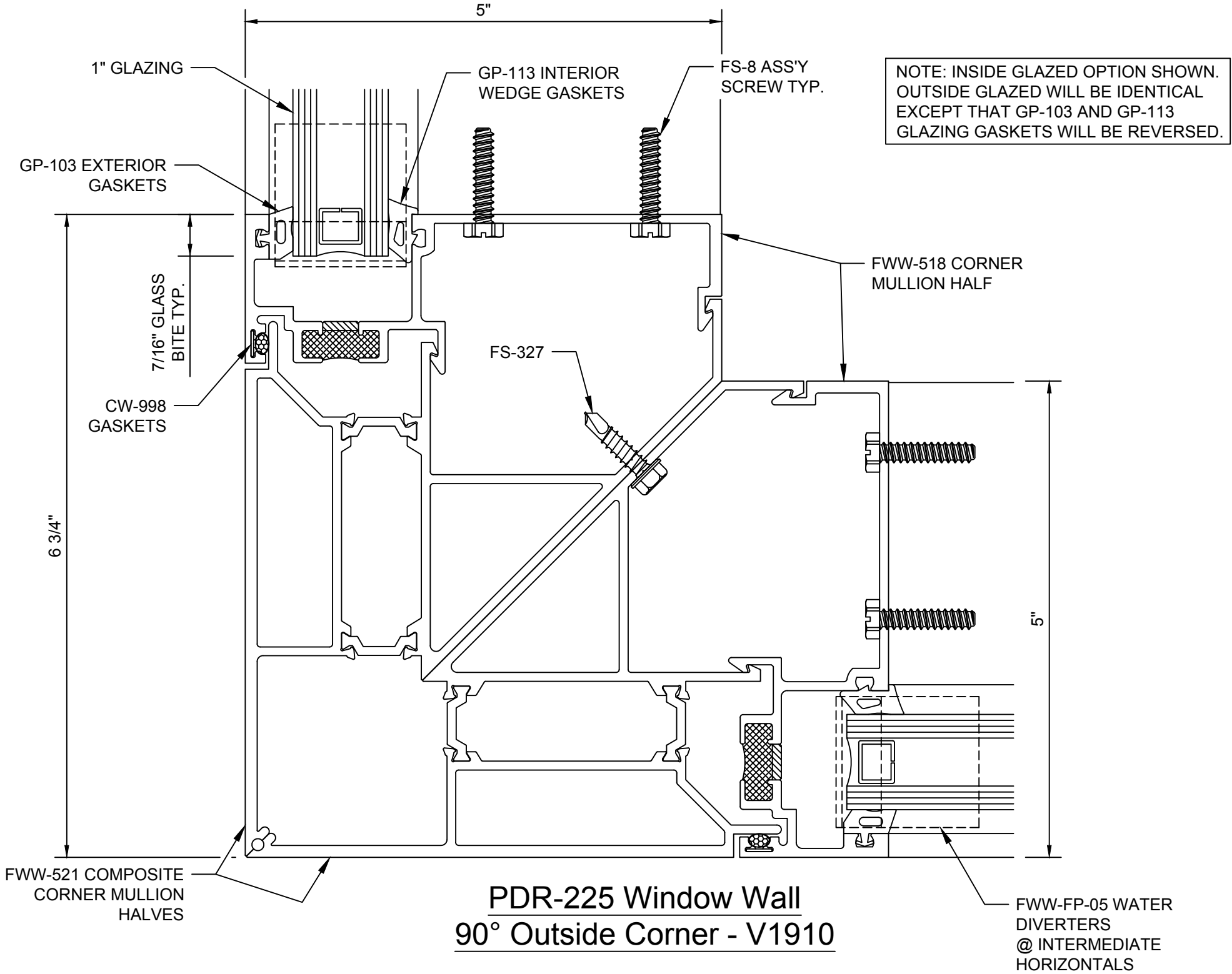
NOTE: INSIDE GLAZED OPTION SHOWN. OUTSIDE GLAZED WILL BE IDENTICAL EXCEPT THAT GP-103 AND GP-113 GLAZING GASKETS WILL BE REVERSED.

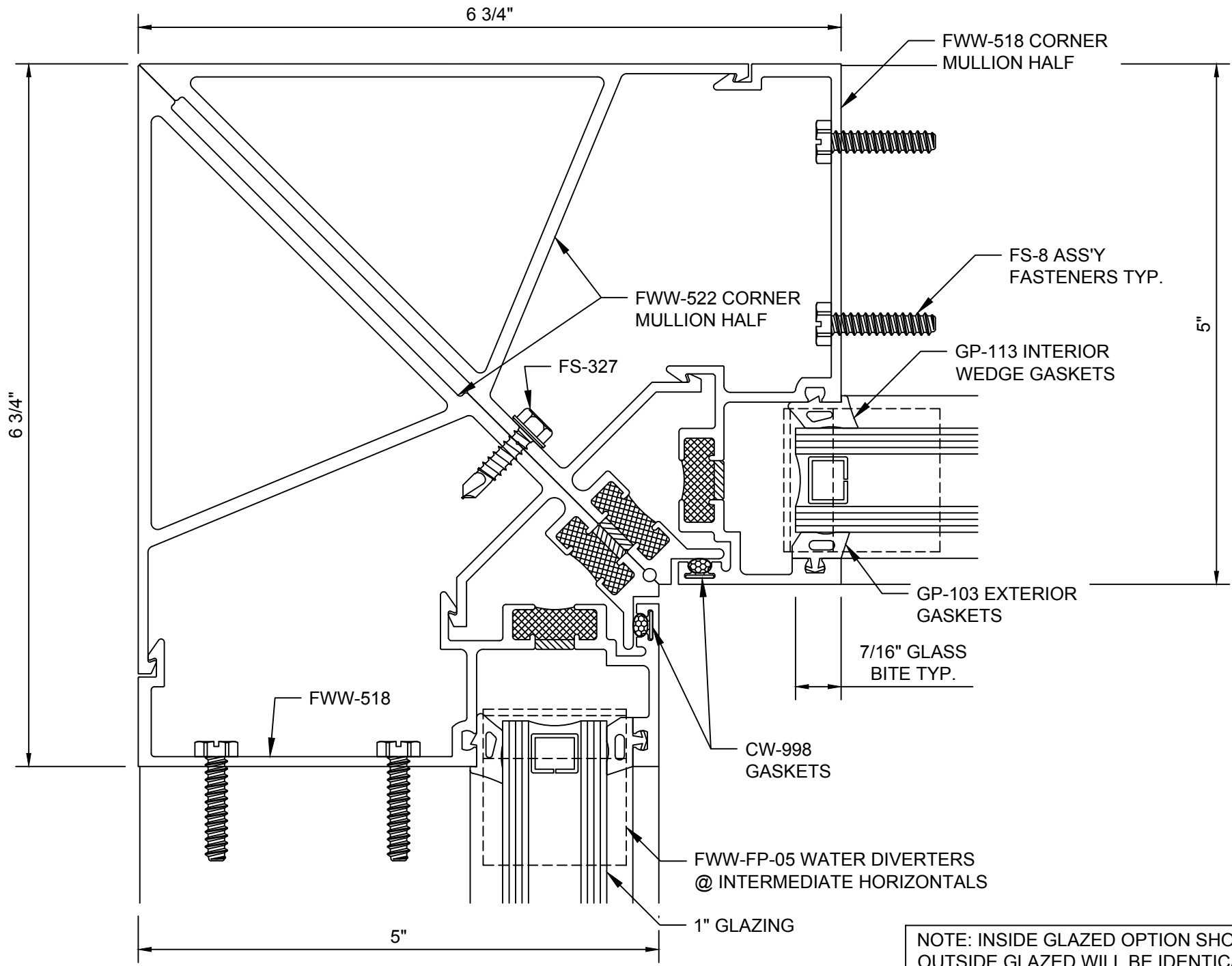
**PDR-225 Window Wall
Expansion Vertical - V1907**

ZERO SIGHTLINE OPERABLE WINDOW. GO TO <http://www.obe.com/products/architectural-windows> FOR THE MOST CURRENT VENT OPTIONS.



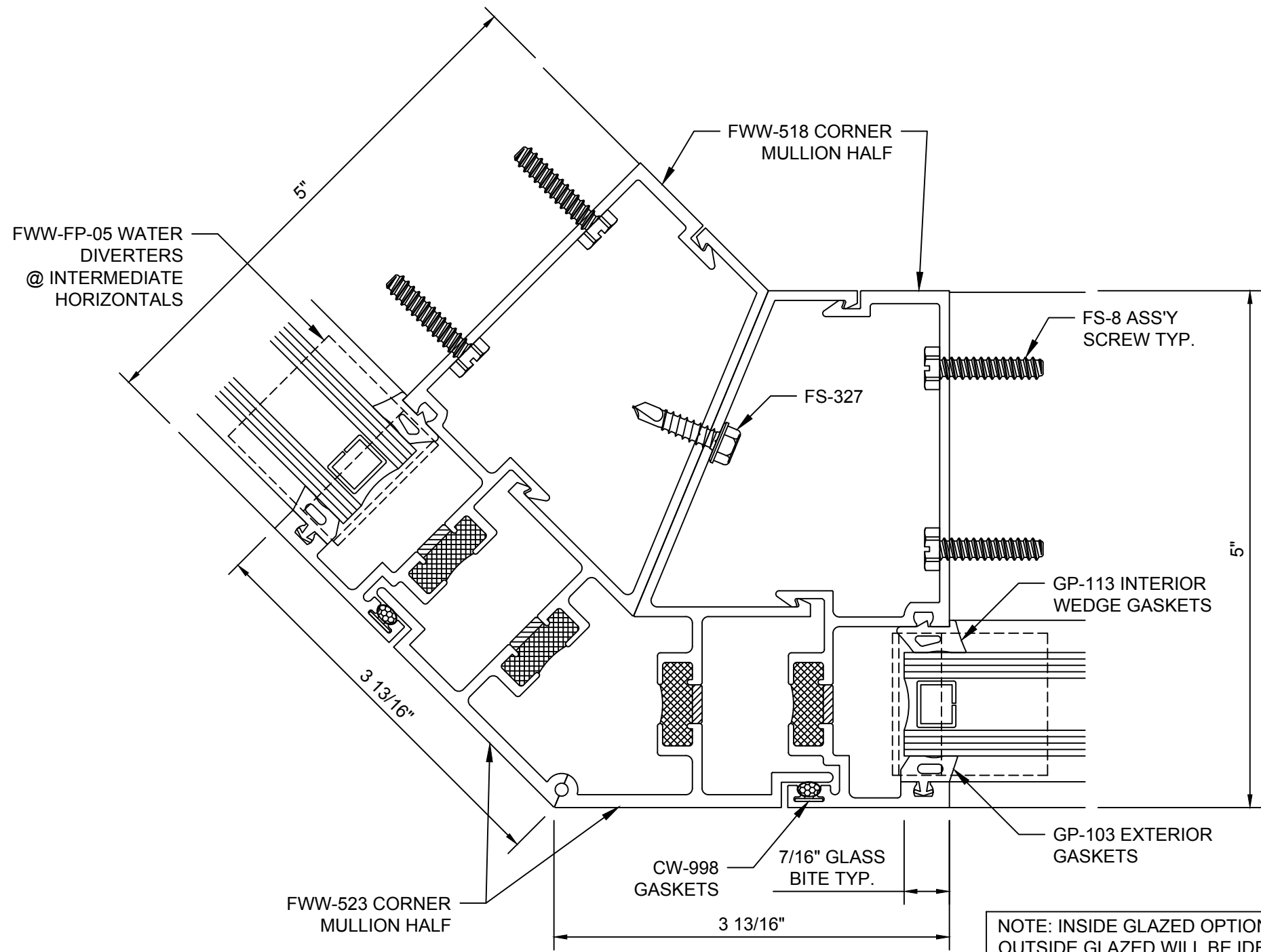
PDR-225 Window Wall
Vertical at Operable Window - V1908





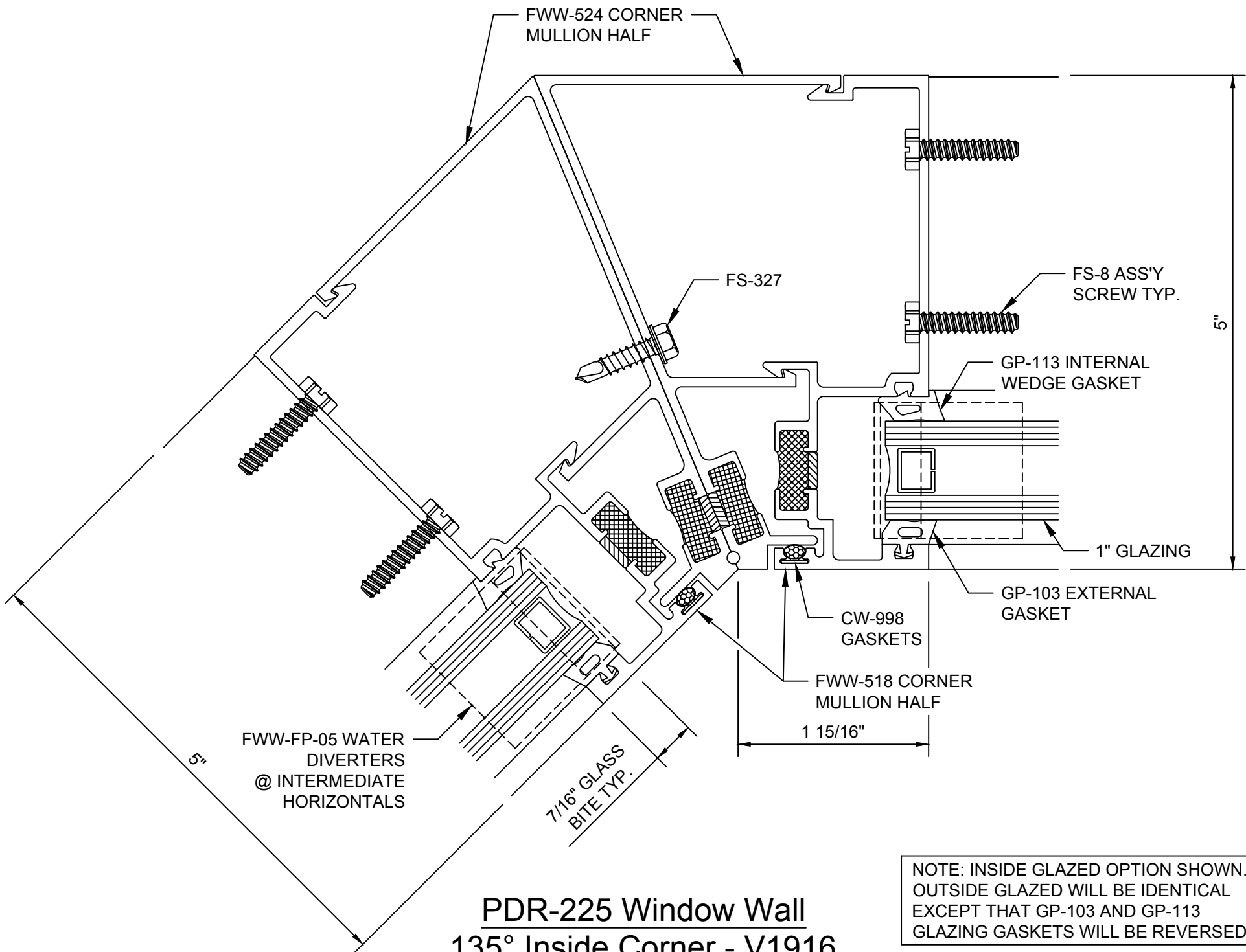
PDR-225 Window Wall
90° Inside Corner - V1911

NOTE: INSIDE GLAZED OPTION SHOWN. OUTSIDE GLAZED WILL BE IDENTICAL EXCEPT THAT GP-103 AND GP-113 GLAZING GASKETS WILL BE REVERSED.



**PDR-225 Window Wall
135° Outside Corner - V1915**

NOTE: INSIDE GLAZED OPTION SHOWN.
OUTSIDE GLAZED WILL BE IDENTICAL
EXCEPT THAT GP-103 AND GP-113
GLAZING GASKETS WILL BE REVERSED.



PDR-225 Window Wall
135° Inside Corner - V1916

NOTE: INSIDE GLAZED OPTION SHOWN.
 OUTSIDE GLAZED WILL BE IDENTICAL
 EXCEPT THAT GP-103 AND GP-113
 GLAZING GASKETS WILL BE REVERSED.