

Oldcastle BuildingEnvelope™

803 Airport Rd Terrell, TX 75160
(972) 551-6100

BlastMax™ - Blast Resistant Storefront- FG-5100 - 2 1/2" x 5" Frames

Table of Contents

(Drawing numbers ie H7841 used as CAD detail reference only)

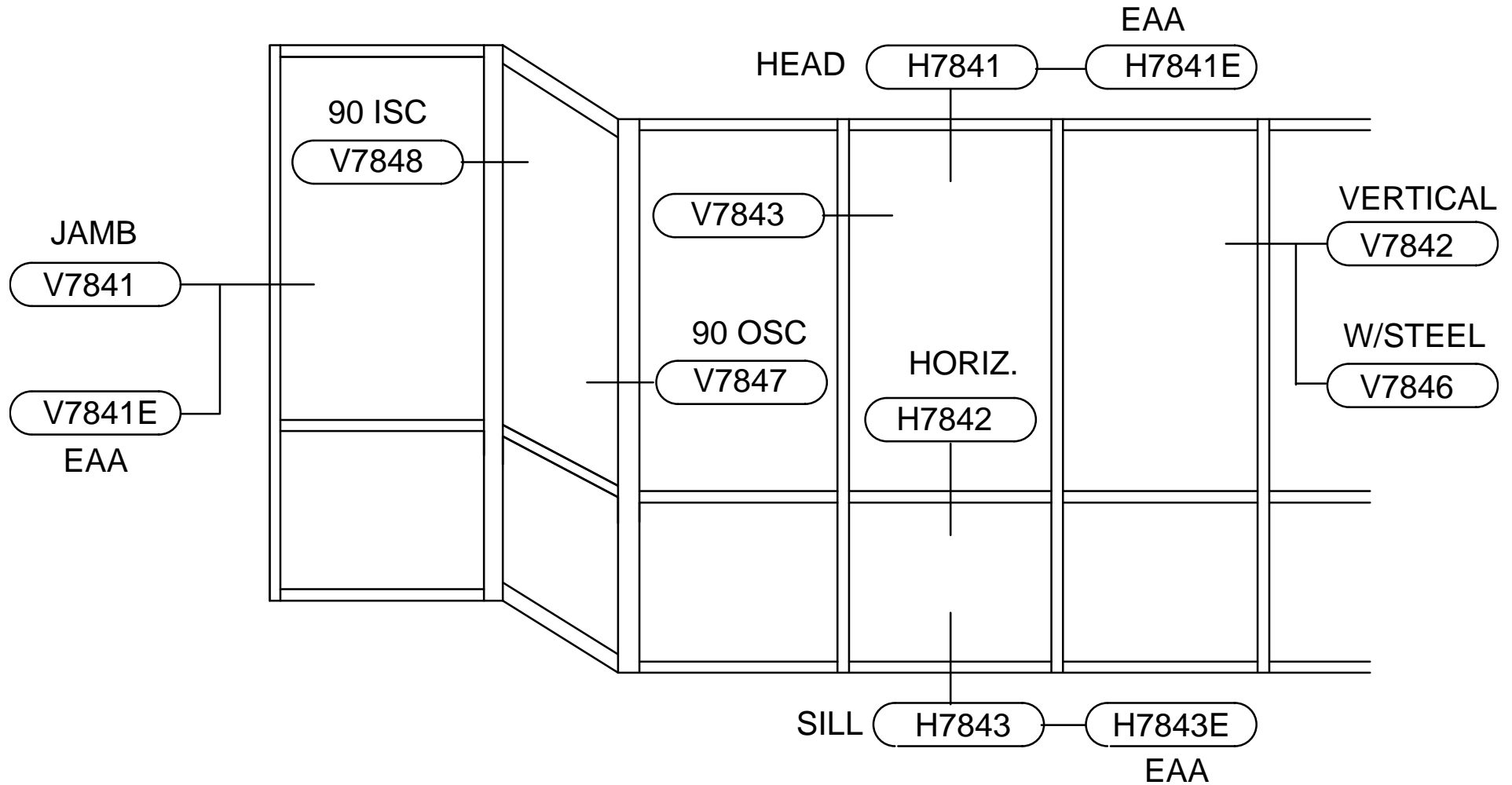
Elevation-BR-Wall-Fg5100wet
H7841E-Head-EAA
H7841-Head
H7842-Horizontal
H7843E-Sill-EAA
H7843-Sill
V7841E-Jamb-EAA
V7841-Jamb
V7842-Vertical
V7846-Vertical-w-Steel

MODEL: ELEV-BR-WALL-FG5100-WET

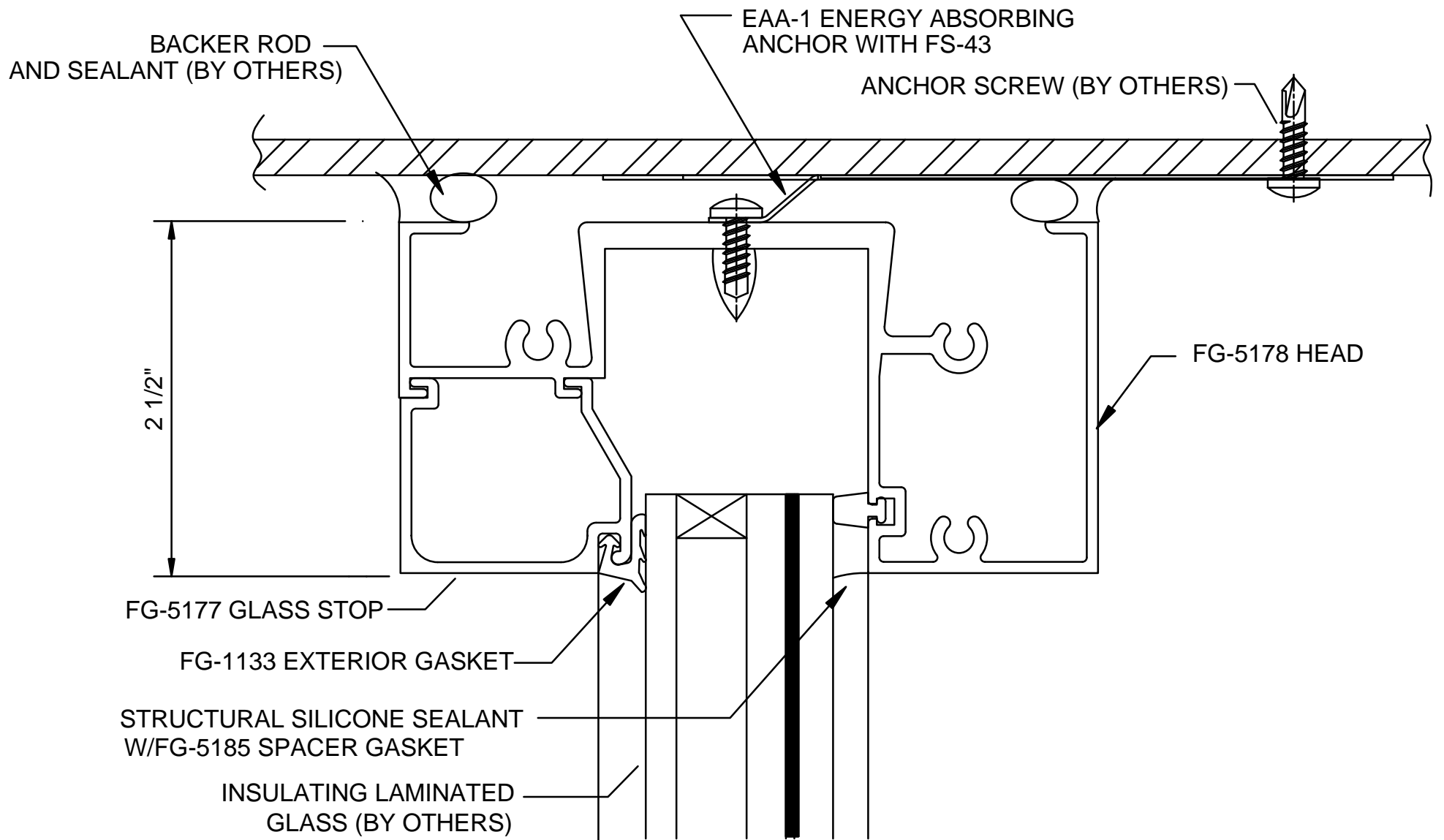
2 1/2" X 5" BLAST RESISTANT STOREFRONT

WITH ENERGY ABSORBING ANCHOR (EEA) OPTION

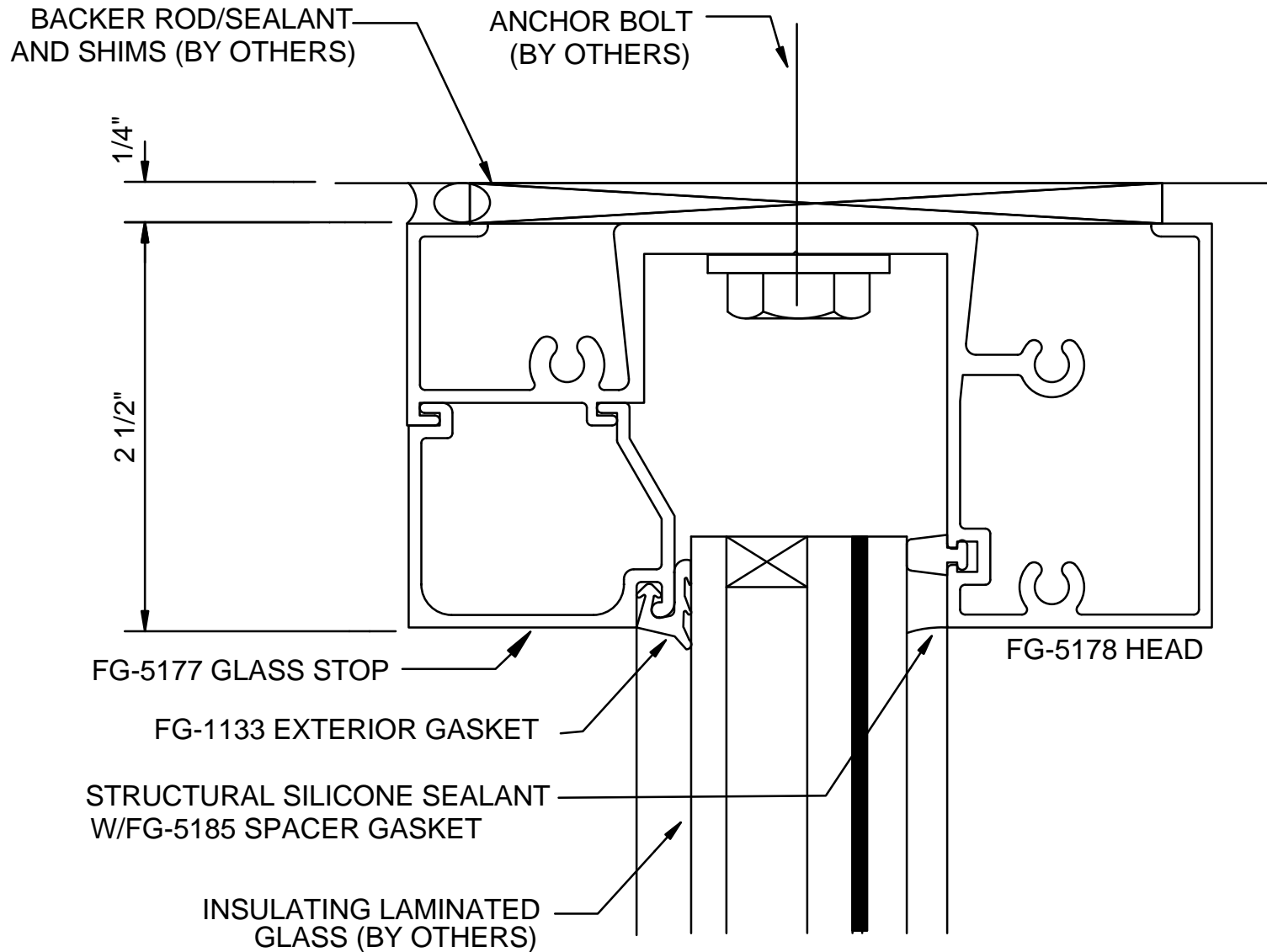
LAMINATED INSULATING GLASS - WET GLAZED



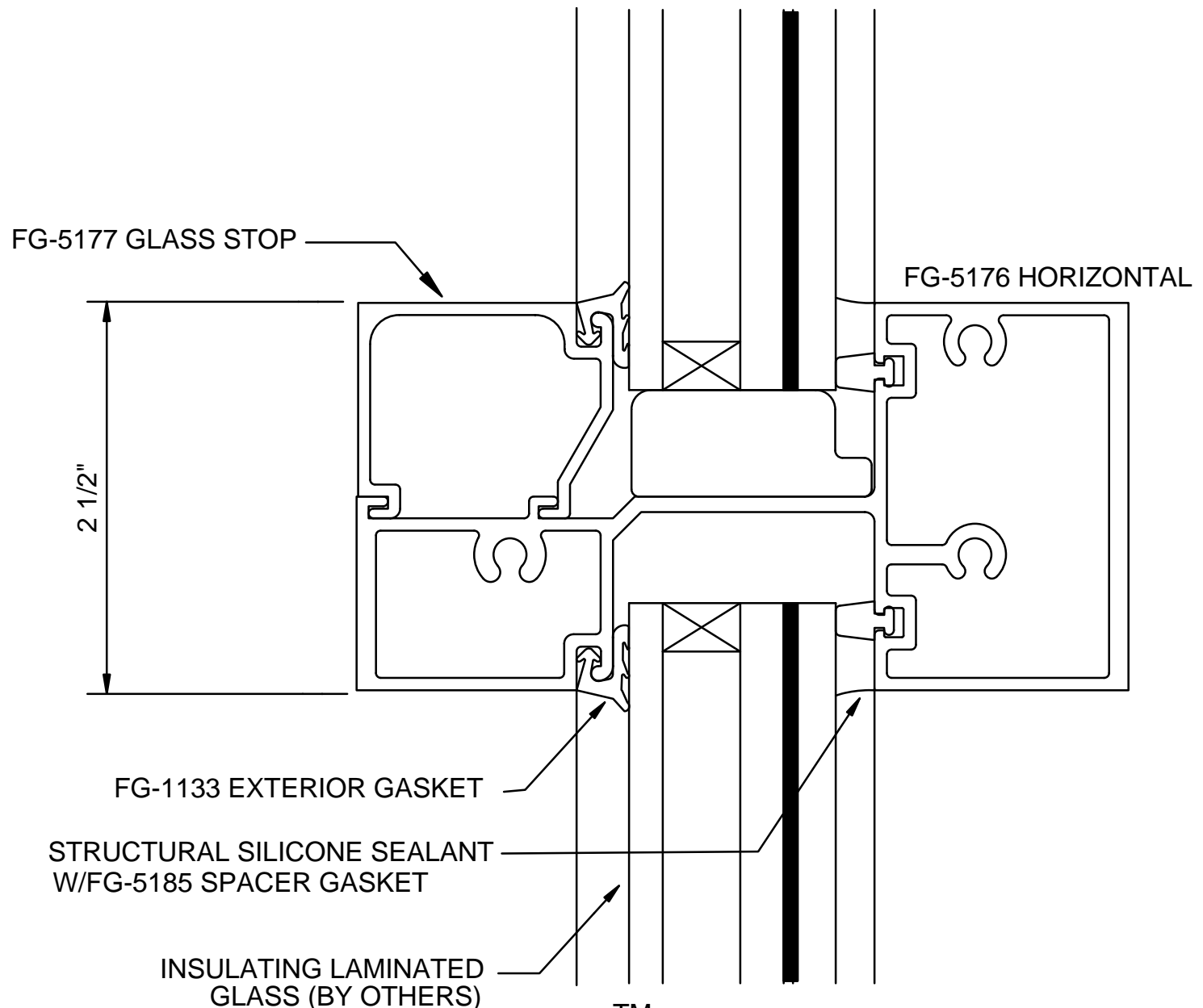
NOTE: FOR SPECIFIC PRODUCT APPLICATIONS CONTACT AN OLDCASTLE BUILDING ENVELOPE™ REPRESENTATIVE



BlastMax™ FG-5100 - Wet Glazed
Head Option - H7841E

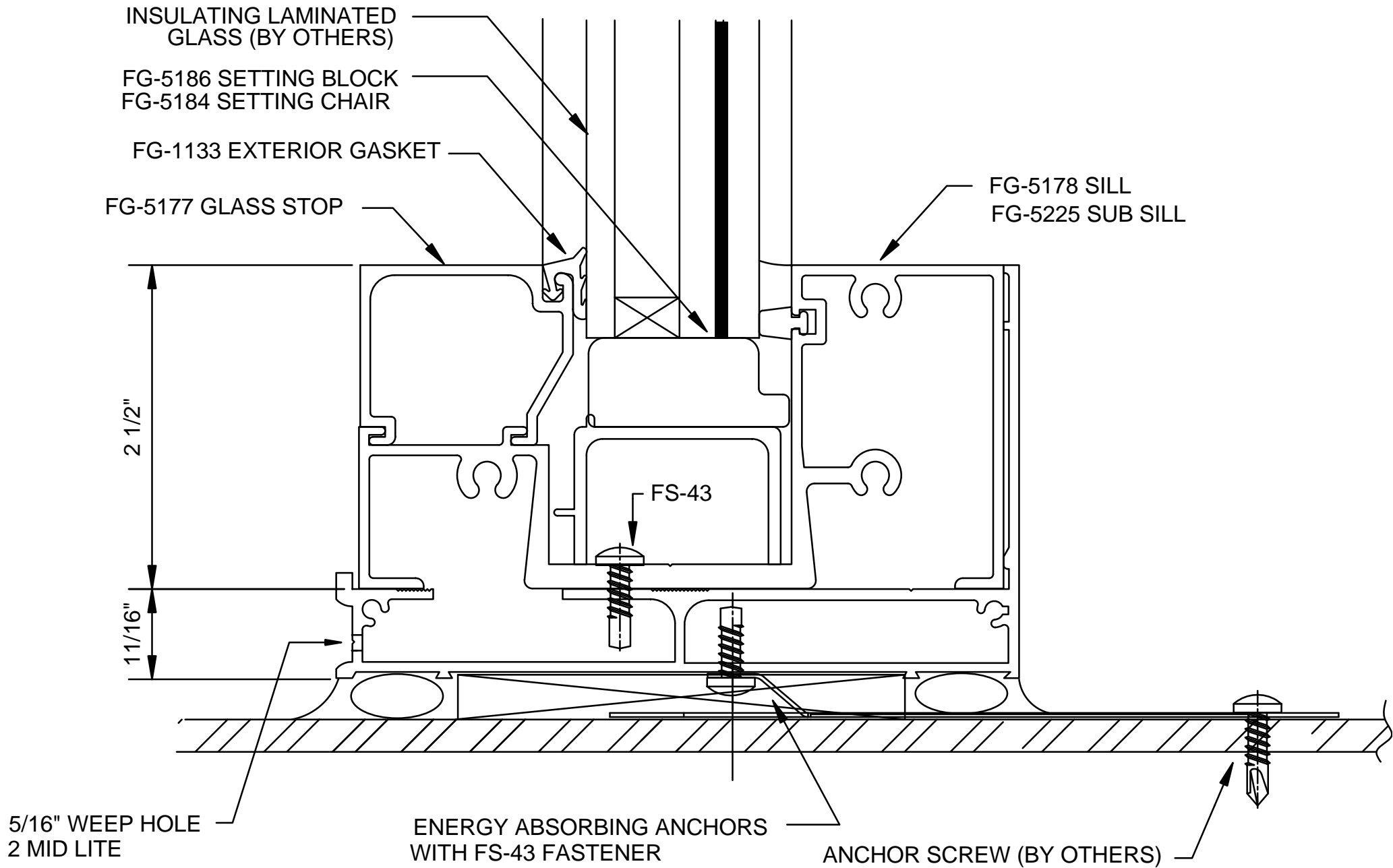


BlastMax™ FG-5100 - Wet Glazed
Head - H7841

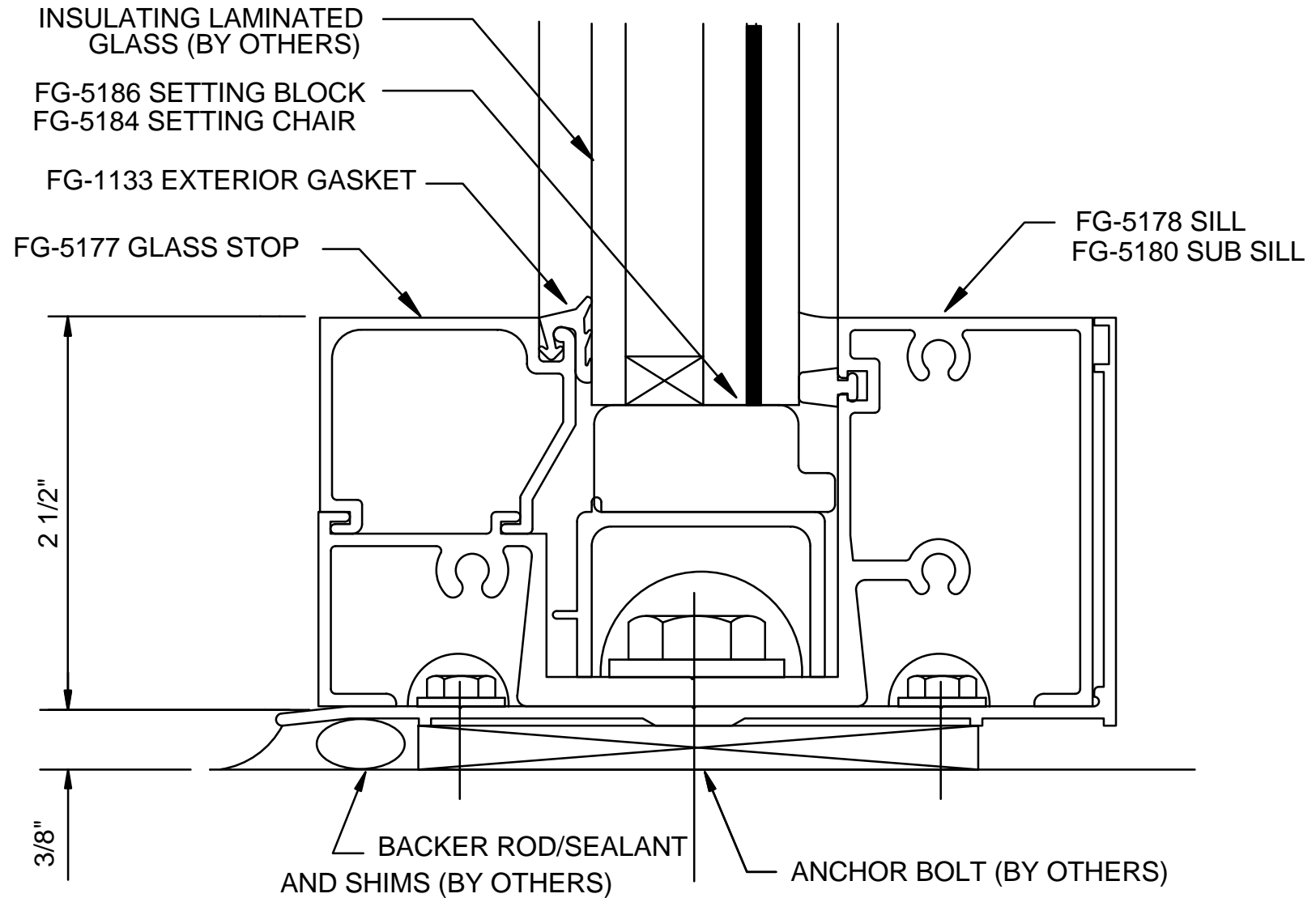


BlastMaxTM FG-5100 - Wet Glazed

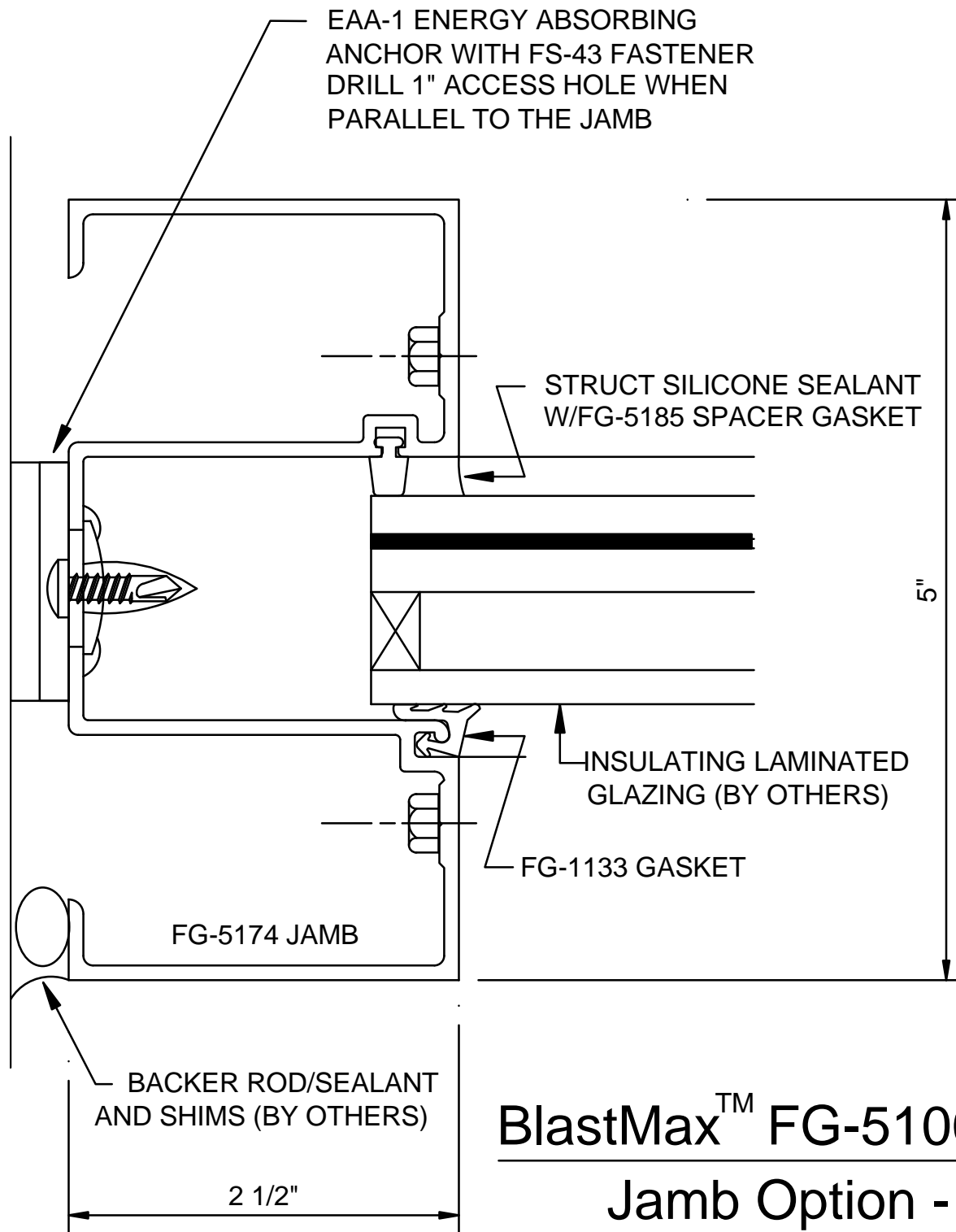
Horizontal - H7842



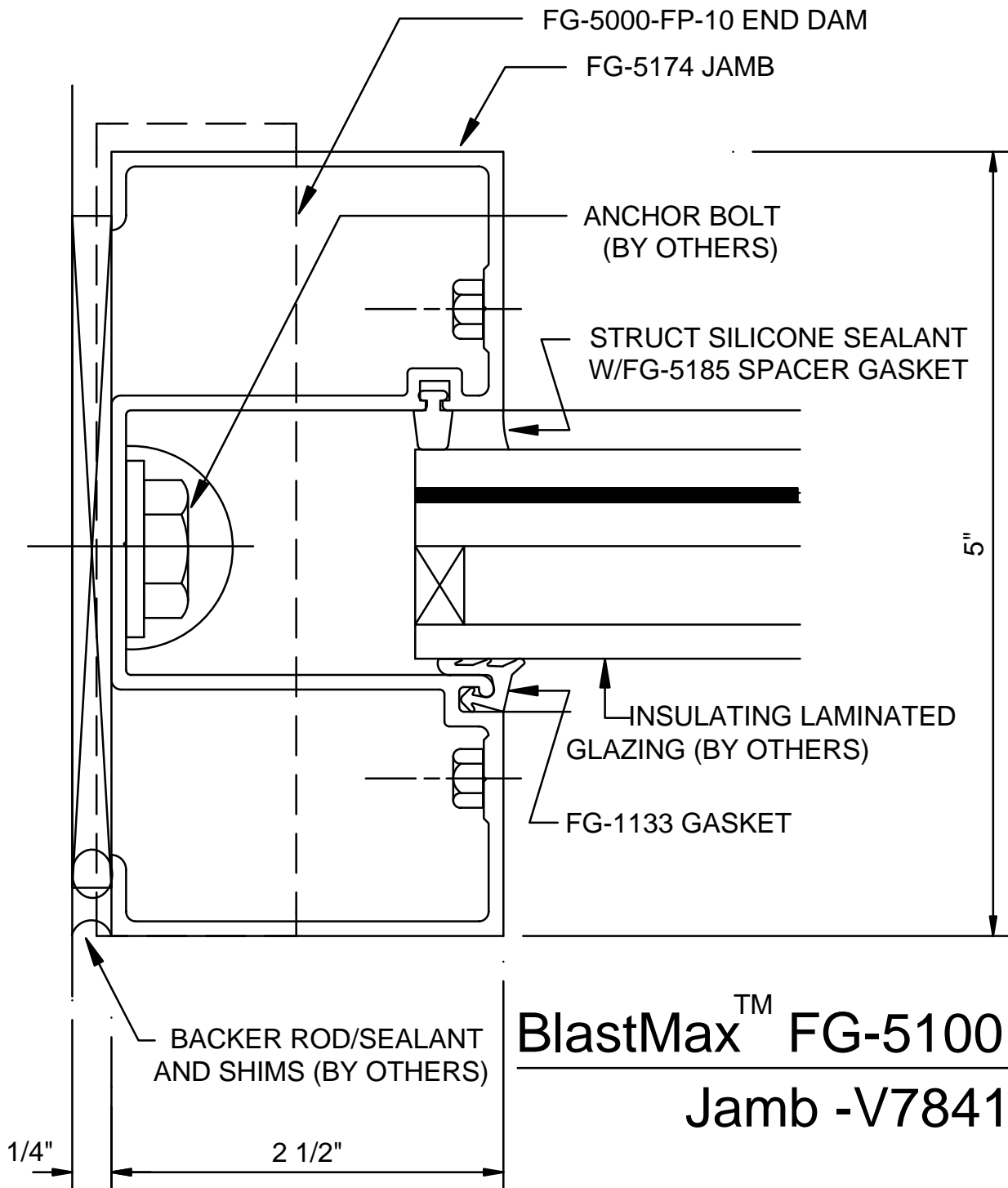
BlastMax™ FG-5100 - Wet Glazed
Sill Option - H7843E



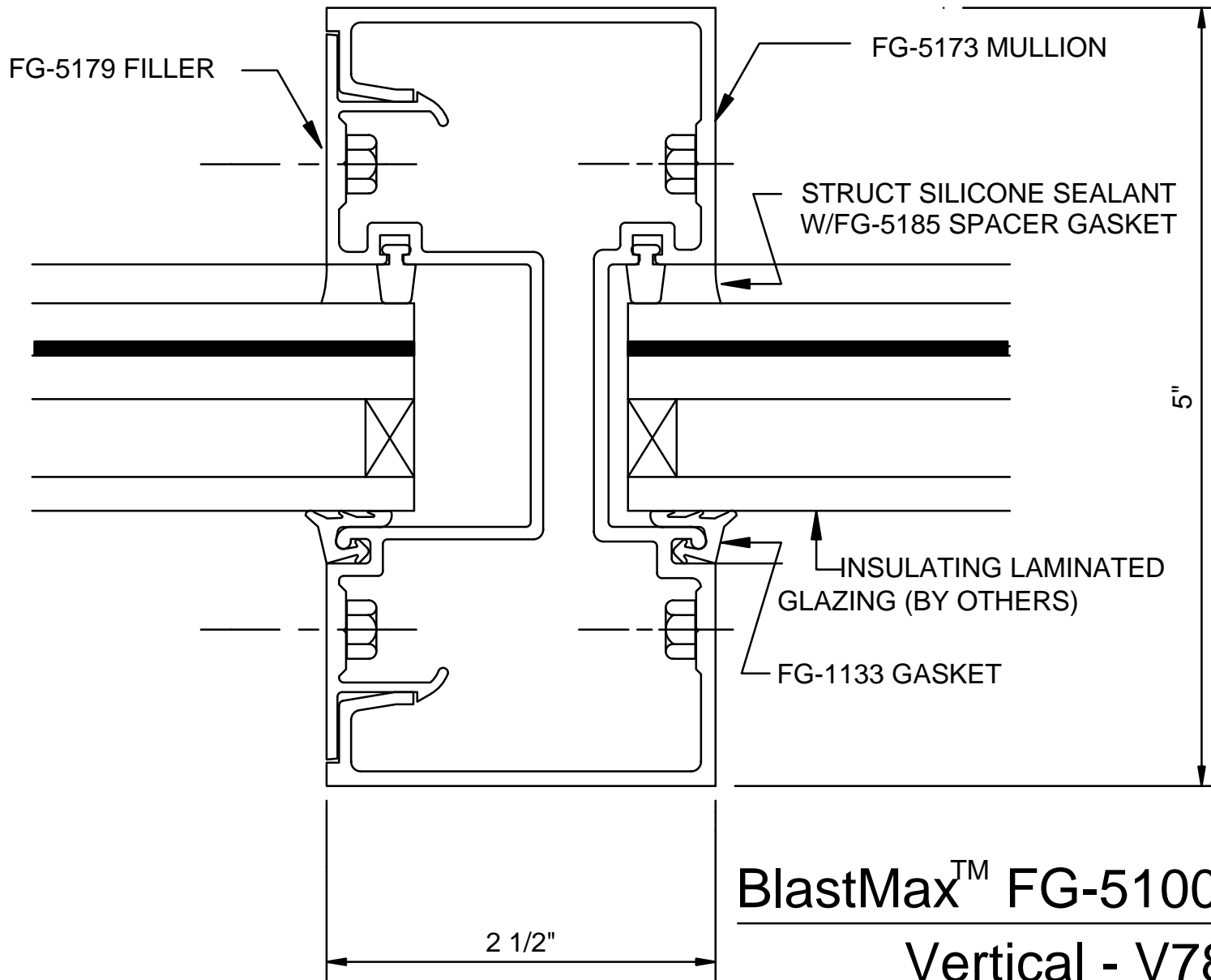
BlastMaxTM FG-5100 - Wet Glazed
Sill- H7843

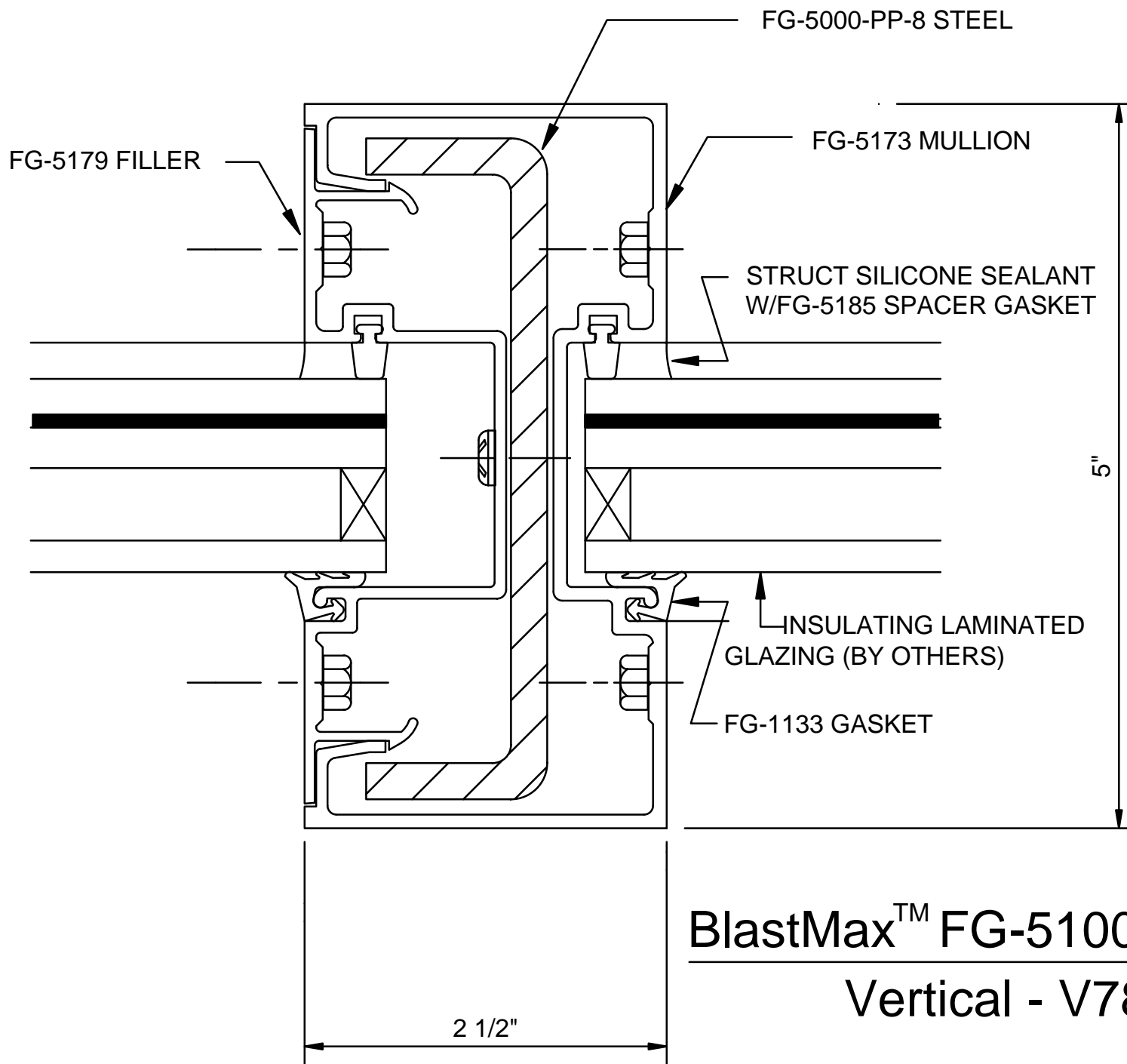


BlastMax™ FG-5100 - Wet Glazed
Jamb Option - V7841E



BlastMax™ FG-5100 - Wet Glazed
Jamb -V7841





BlastMax™ FG-5100 - Wet Glazed
Vertical - V7846