

# Oldcastle BuildingEnvelope™

803 Airport Rd Terrell, TX 75160  
(972) 551-6100

---

BlastMax Blast Resistant Storefront- FG-5100T- Thermal - 2 1/2" x 5"

---

## Table of Contents

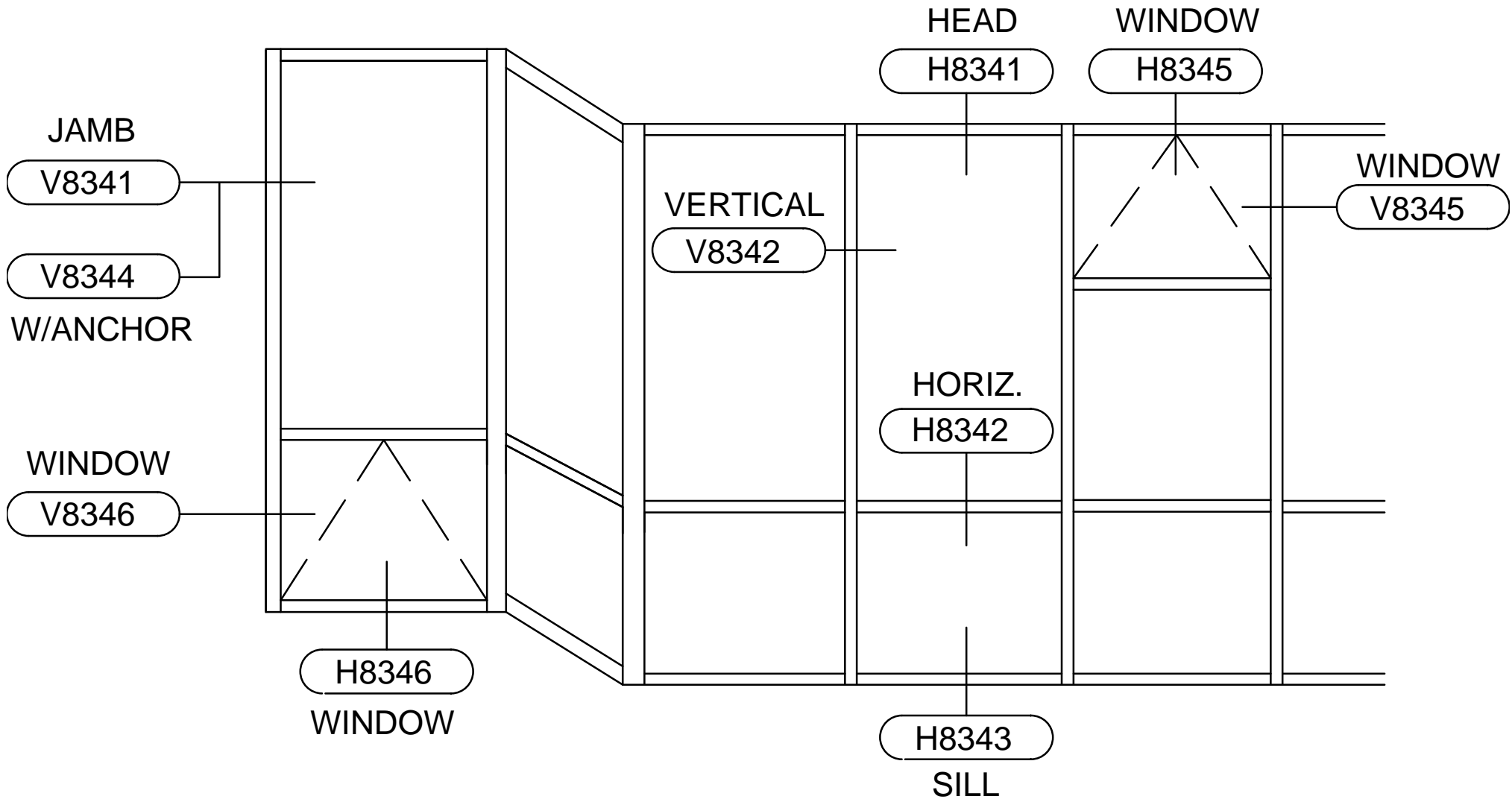
*(Drawing numbers ie H8341 used as CAD detail reference only )*

BR-FG51-T-Wall-Elevation-w-Zs2750  
H8341-Head  
H8342-Horizontal  
H8343-Sill  
H8345-Head-w-Operable Window  
H8346-Sill-w-Operable Window  
V8341-Jamb  
V8342-Vertical  
V8344-Jamb-w-Anchor  
V8345-Vertical-w-Operable Window  
V8346-Jamb-w-Operable Window

---

# MODEL: BR-FG51-T-Wall-Elev-w-Zs2750

2 1/2" X 5" BLAST RESISTANT STOREFRONT  
LAMINATED INSULATING GLAZING - WET GLAZED



NOTE: FOR SPECIFIC PRODUCT APPLICATIONS CONTACT AN  
OLDCASTLE BUILDING ENVELOPE™ REPRESENTATIVE

BACKER ROD/SEALANT  
AND SHIMS (BY OTHERS)

ANCHOR BOLT  
(BY OTHERS)

1/4"

2 1/2"

FG-5177 GLASS STOP

FG-1133 EXTERIOR GASKET

STRUCTURAL SILICONE SEALANT  
W/FG-5185 SPACER GASKET

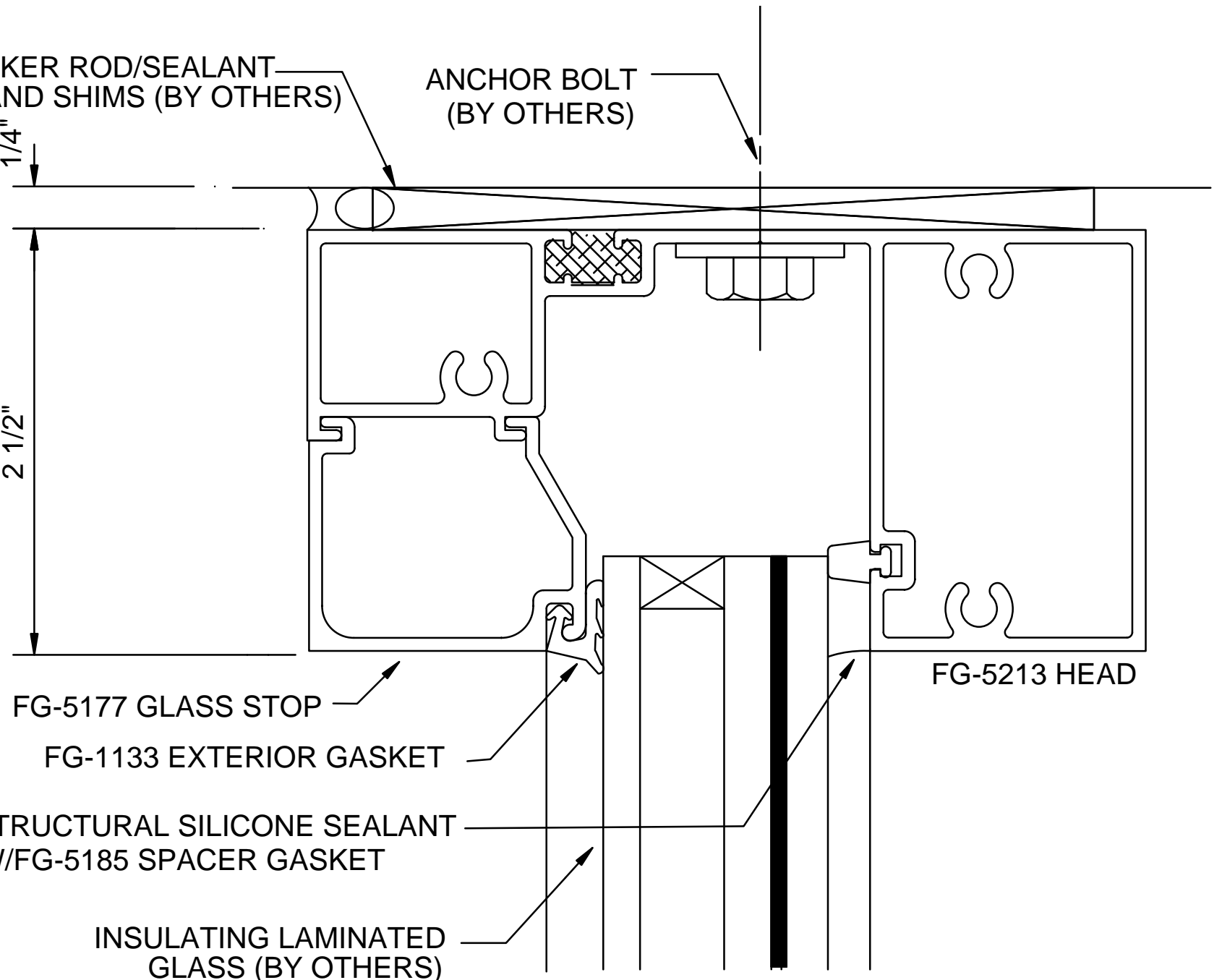
INSULATING LAMINATED  
GLASS (BY OTHERS)

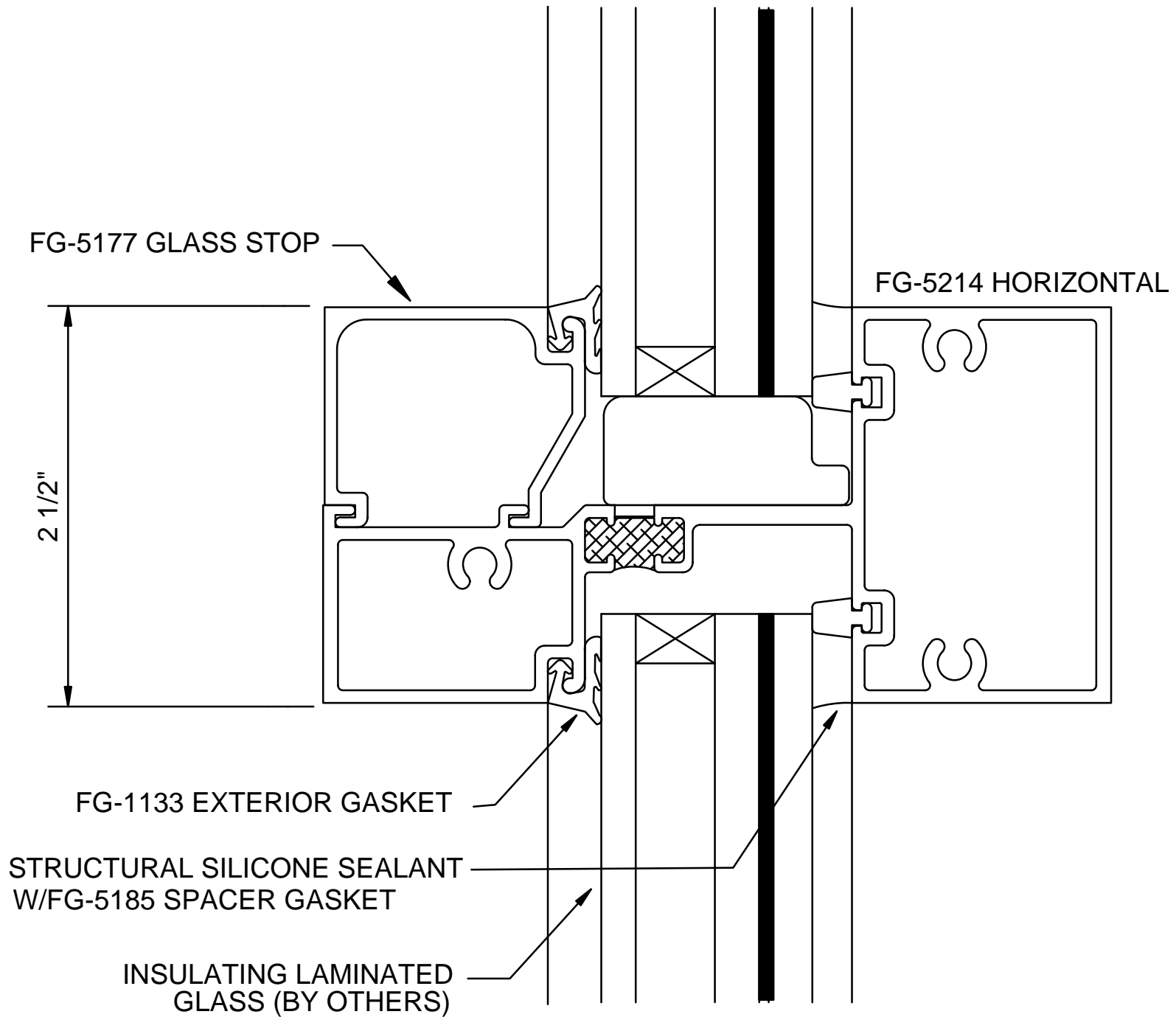
FG-5213 HEAD

**BlastMax™ FG-5100T - Wet Glazed**

**Head - H8341**

Oldcastle BuildingEnvelope™

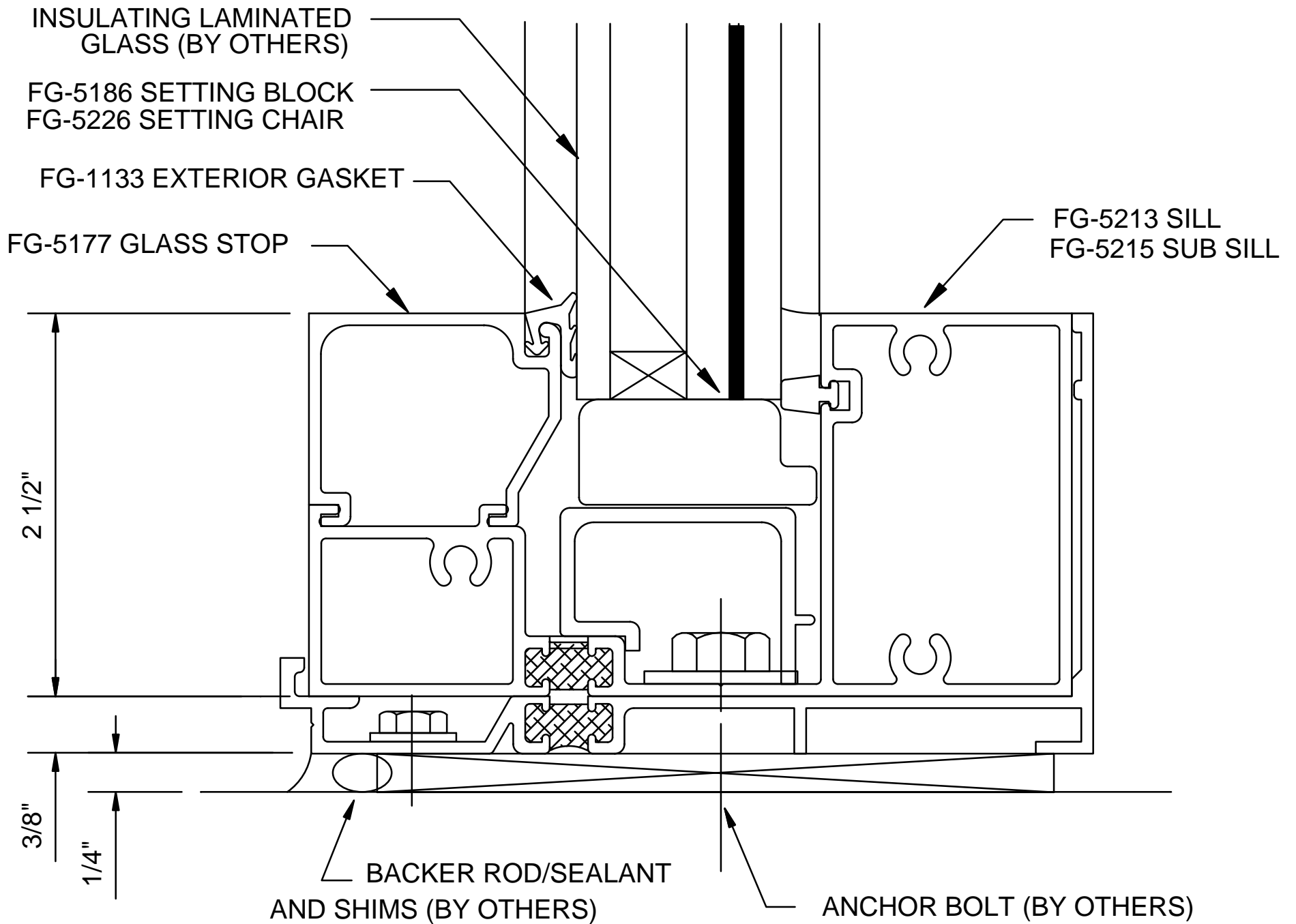




**BlastMax™ FG-5100T - Wet Glazed**  


---

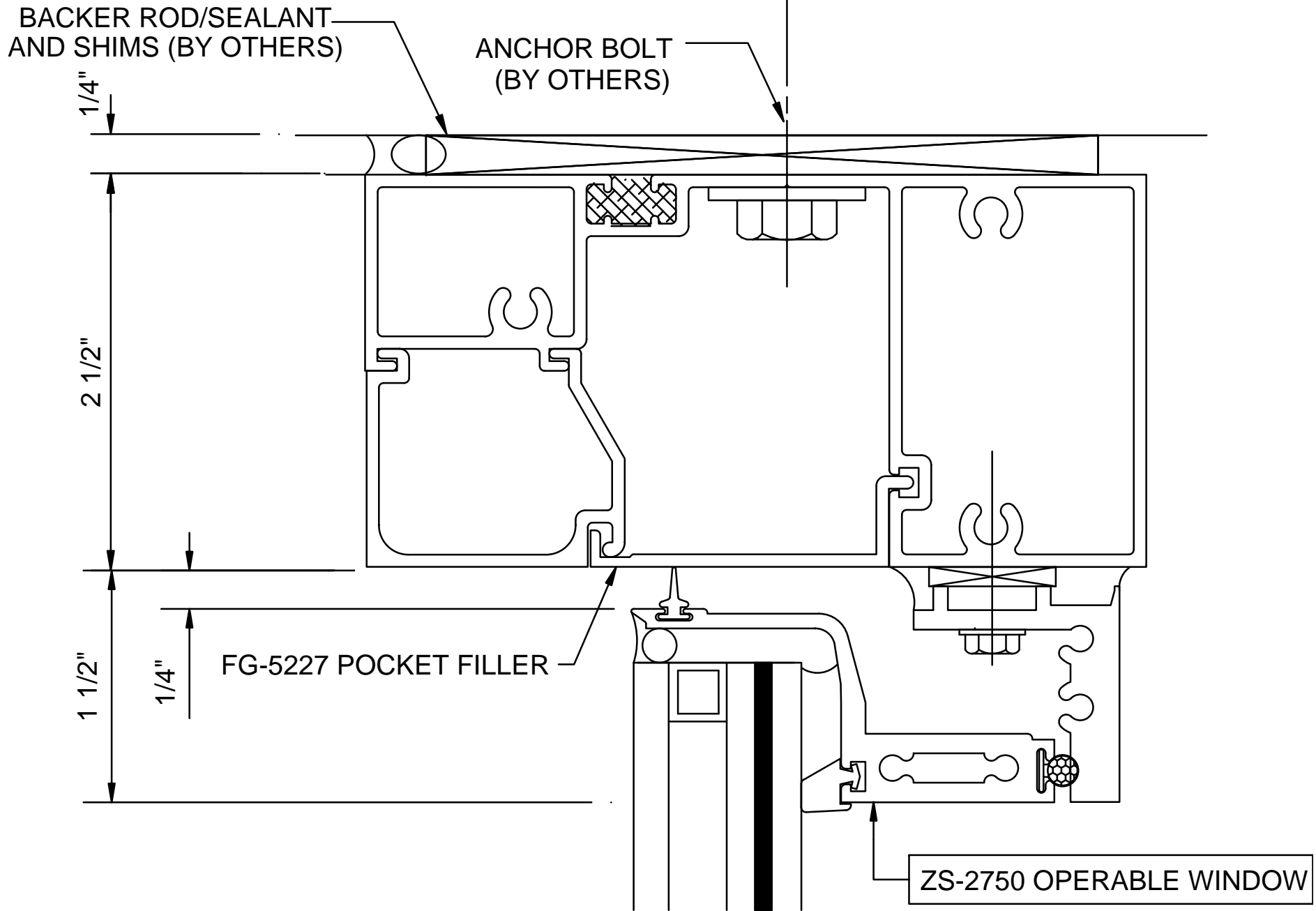
**Horizontal - H8342**



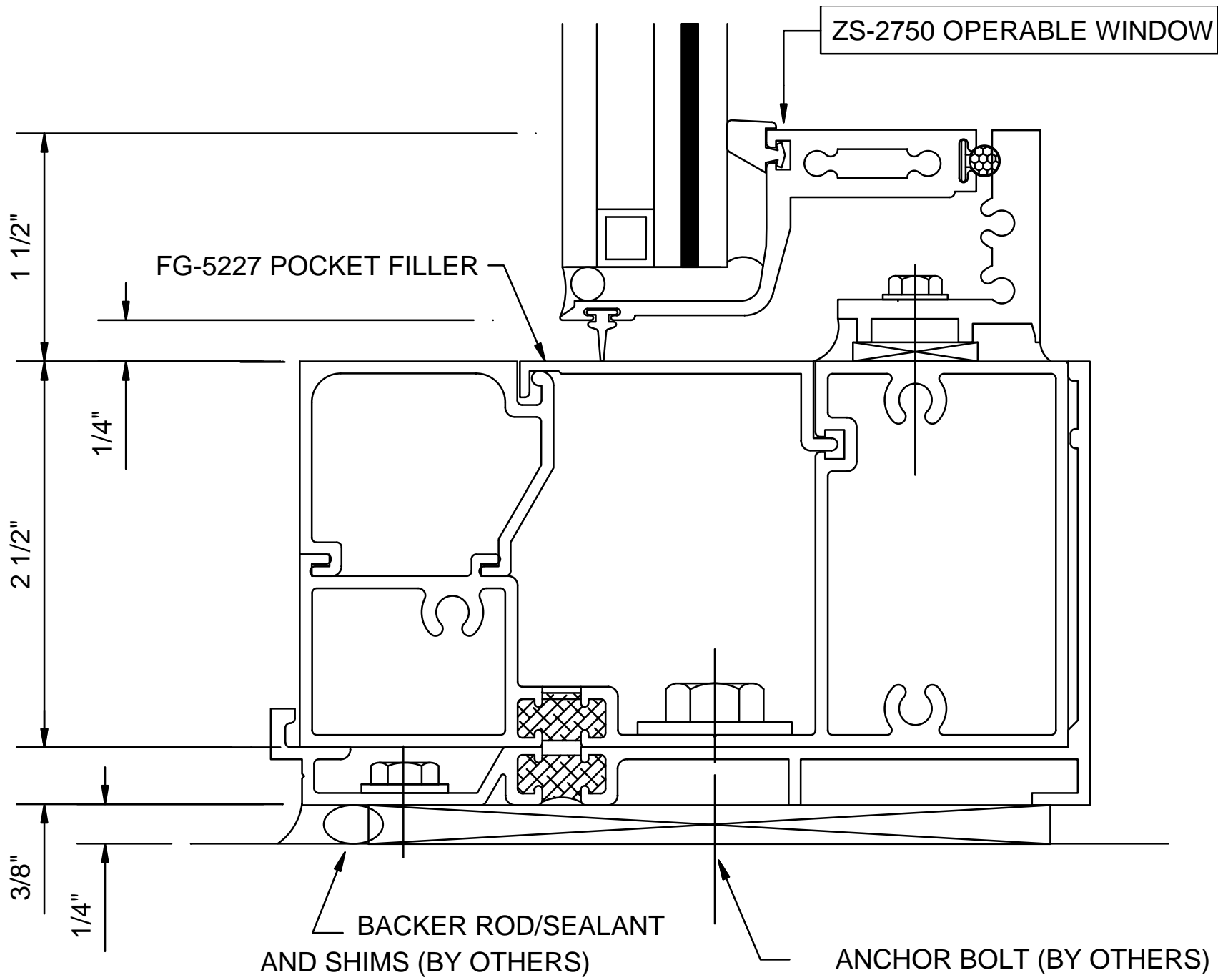
**BlastMax™ FG-5100T - Wet Glazed**

---

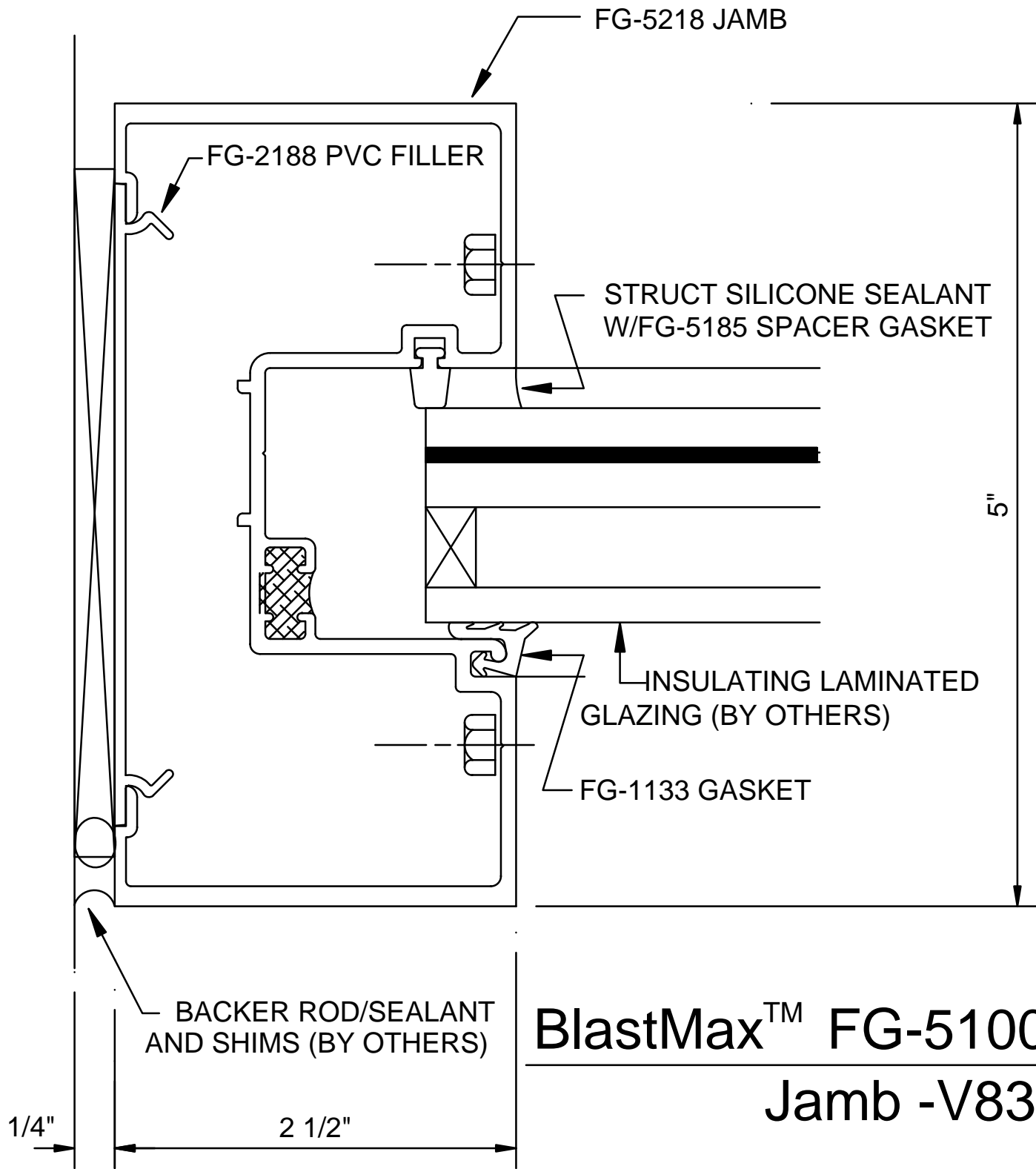
**Sill- H8343**



**BlastMax™ FG-5100T - Wet Glazed  
Head @ Operable Window- H8345**

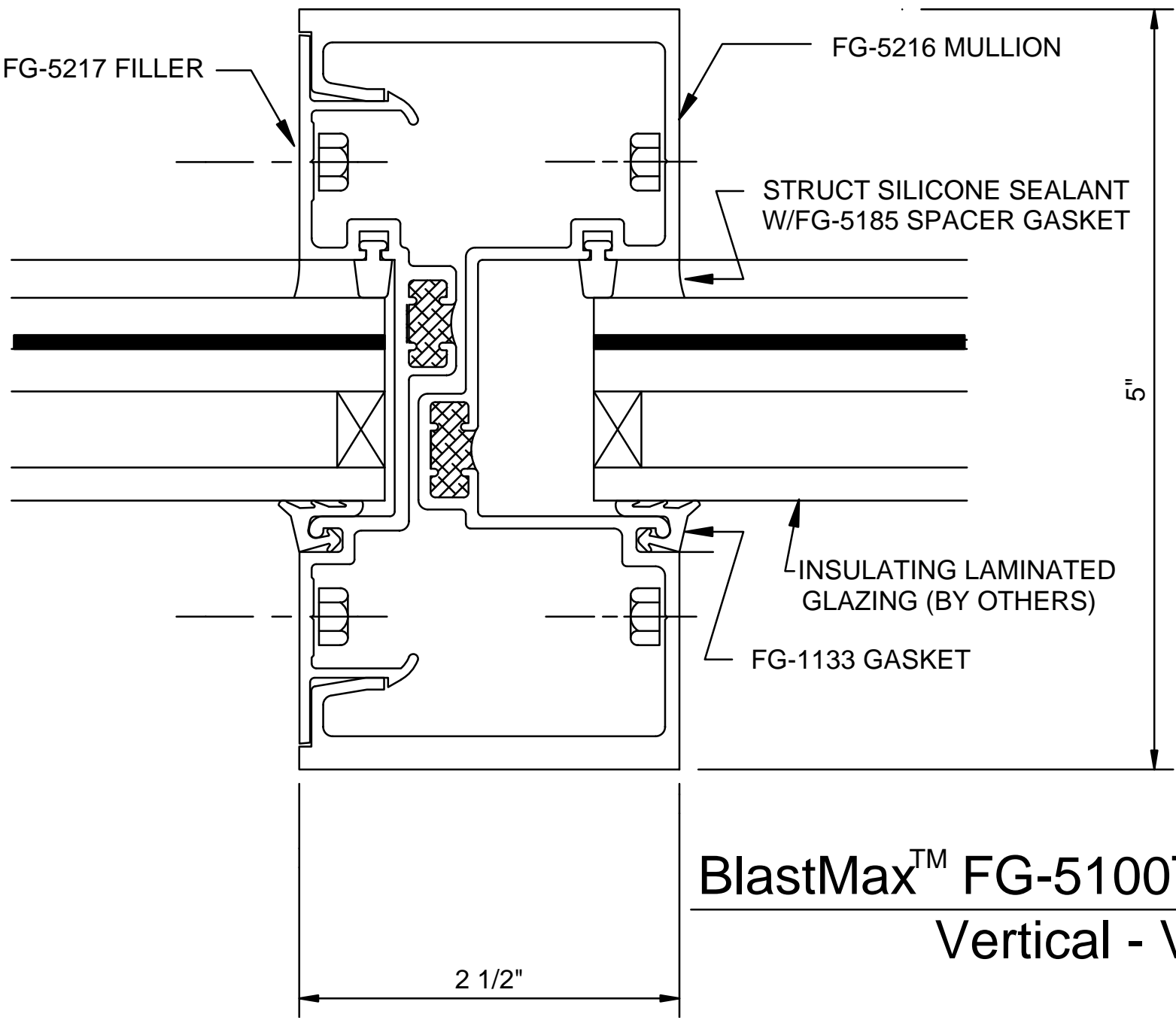


**BlastMax™ FG-5100T - Wet Glazed**  
**Sill @ Operable Window- H8346**

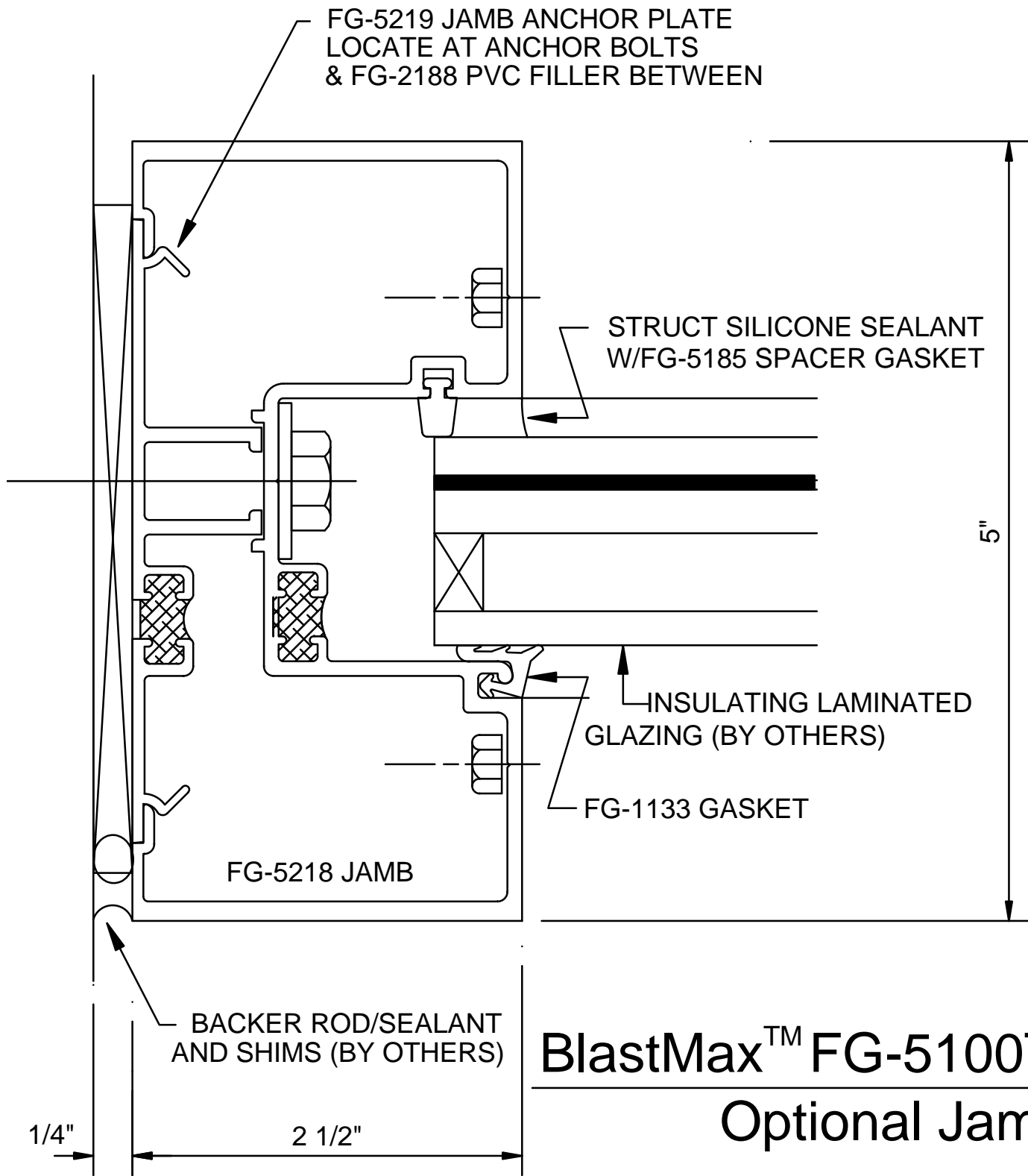


**BlastMax™ FG-5100T - Wet Glazed  
Jamb -V8341**

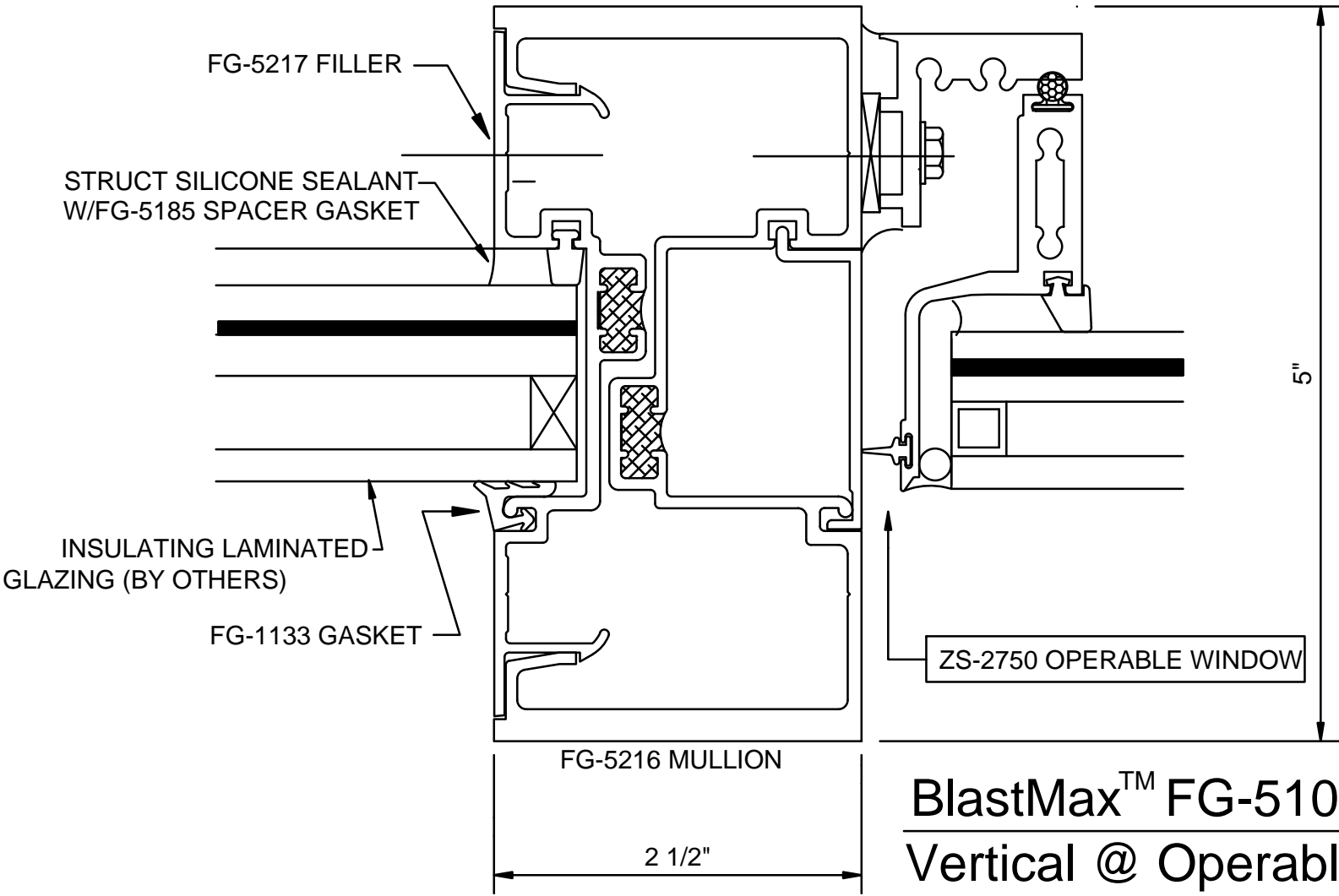




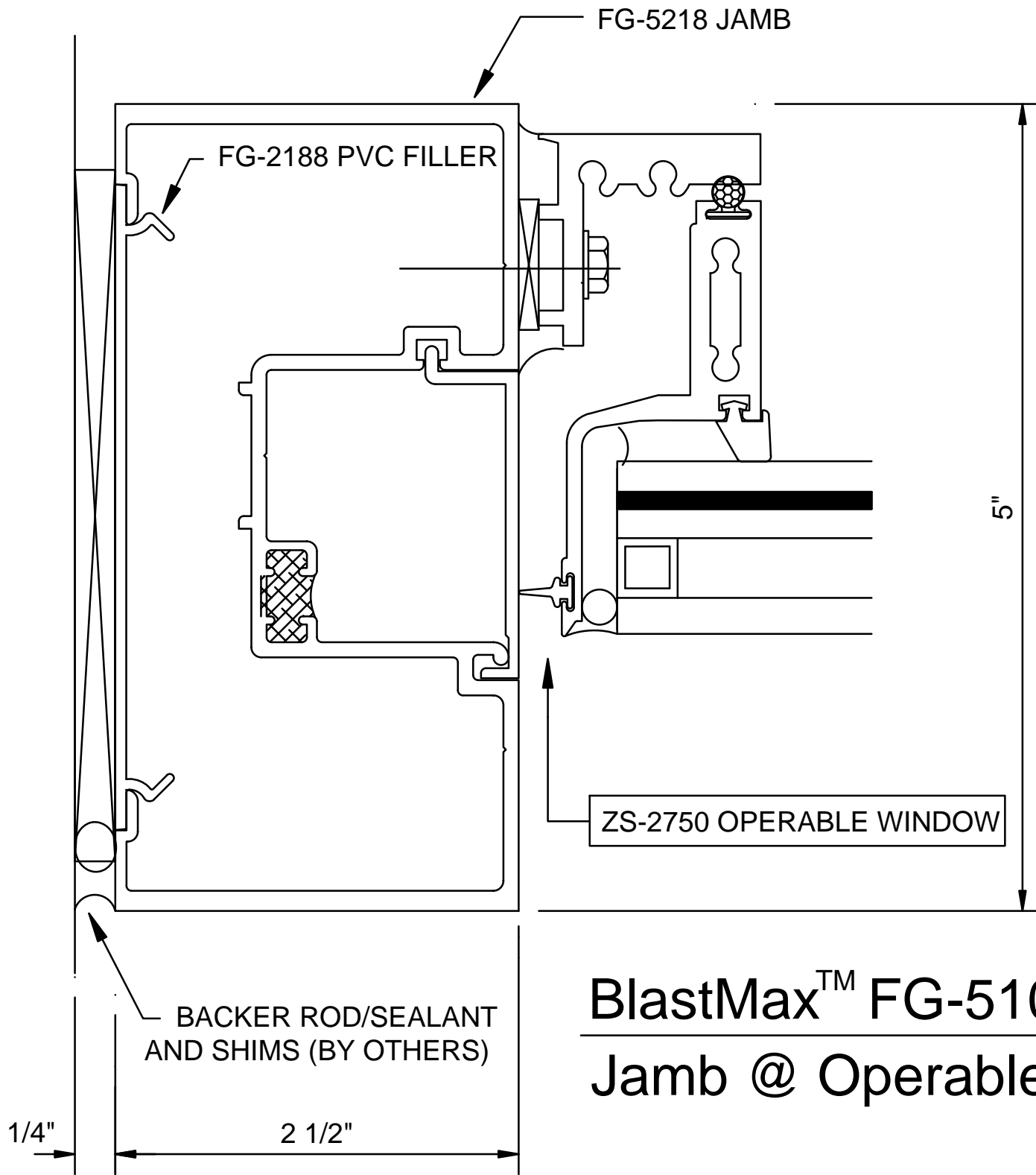
**BlastMax™ FG-5100T - Wet Glazed**  
**Vertical - V8342**



**BlastMax™ FG-5100T - Wet Glazed**  
**Optional Jamb -V8344**



**BlastMax™ FG-5100T - Wet Glazed**  
**Vertical @ Operable Window- V8345**



# BlastMax™ FG-5100T - Wet Glazed Jamb @ Operable Window -V8346