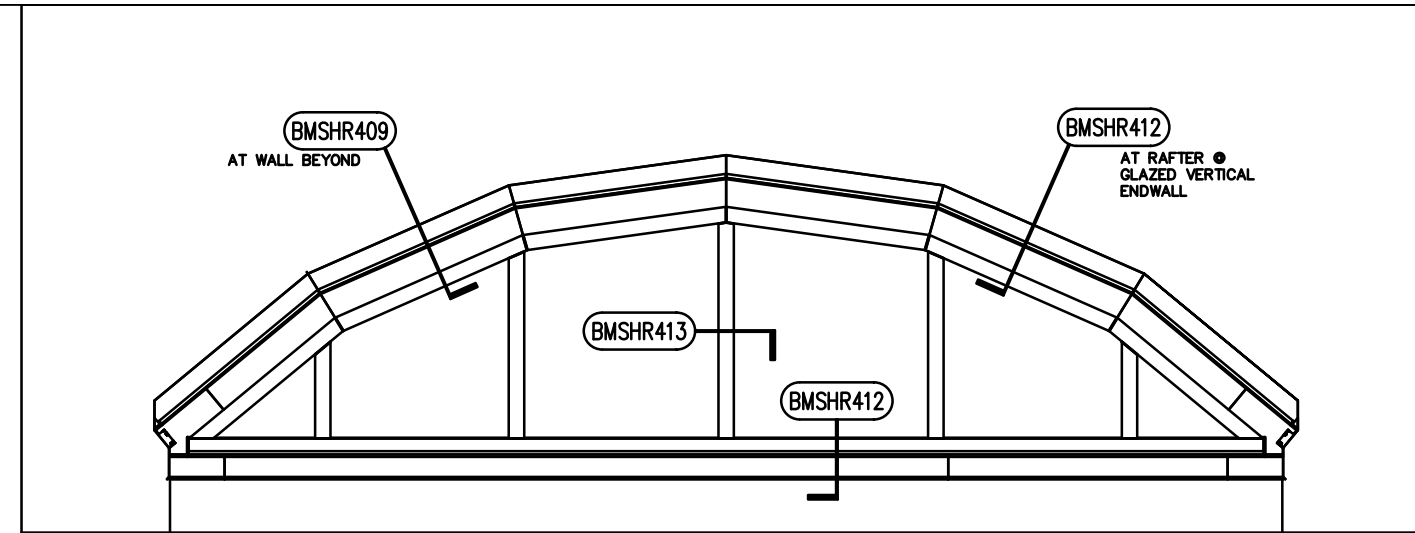


**ISOMETRIC VIEW OF
HURRICANE RESISTANT LOW RISE VAULT
WITH GLAZED VERTICAL ENDWALL**



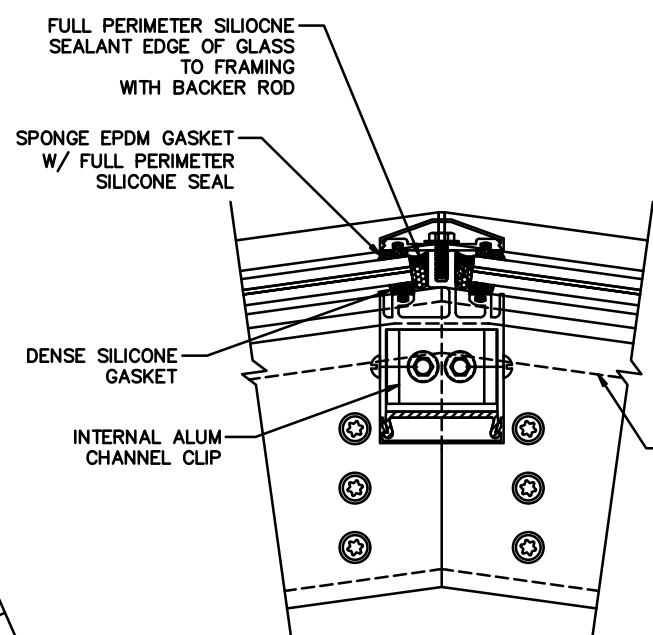
**ELEVATION OF
GLAZED VERTICAL ENDWALL
AT LOW RISE VAULT**

BMS-3000 LARGE MISSILE CUSTOM LOW RISE SEGMENTED VAULT

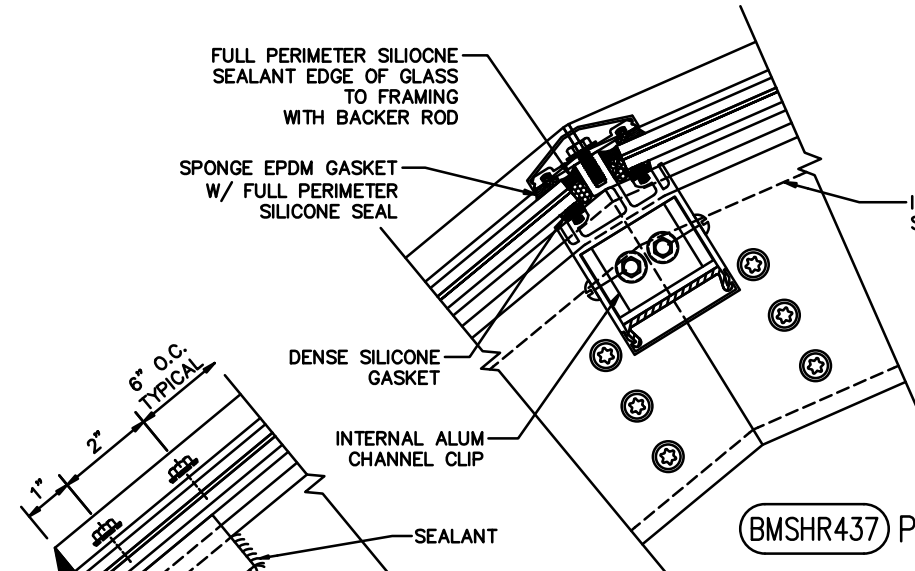


BMSHR408-2-3D
SGP LAMINATED GLASS

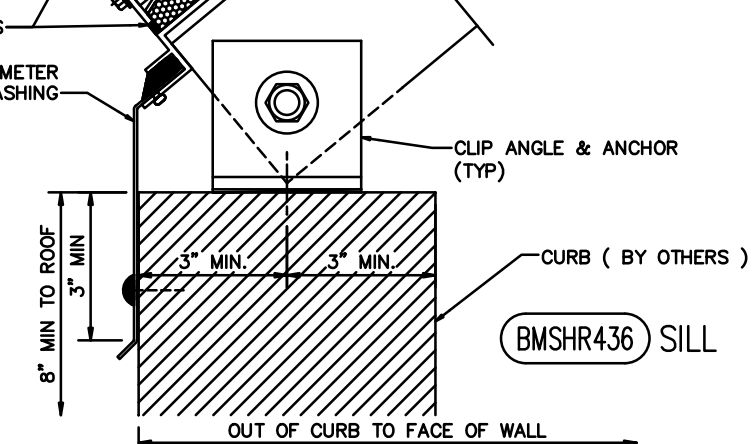
03-10 REV-1



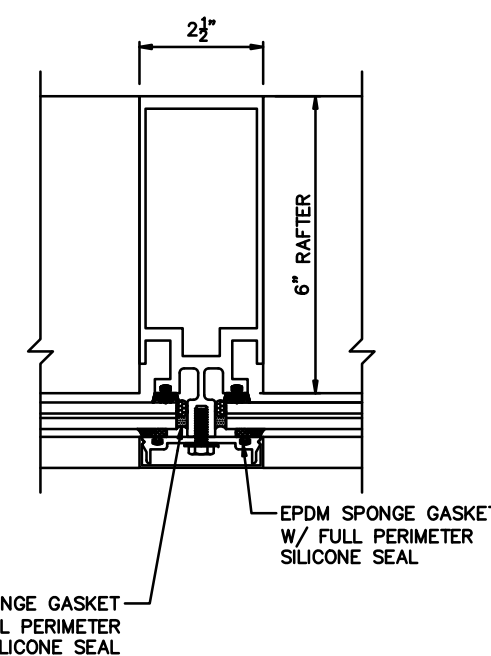
BMSHR438 PURLIN



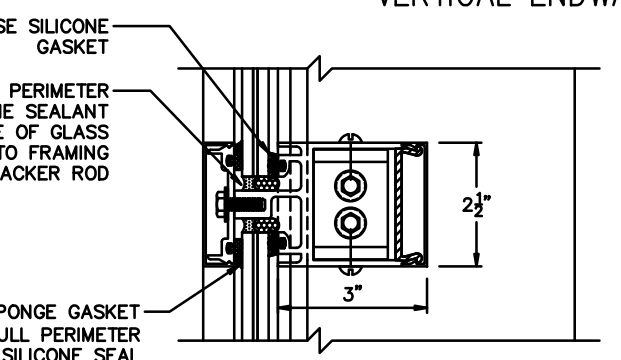
BMSHR437 PURLIN



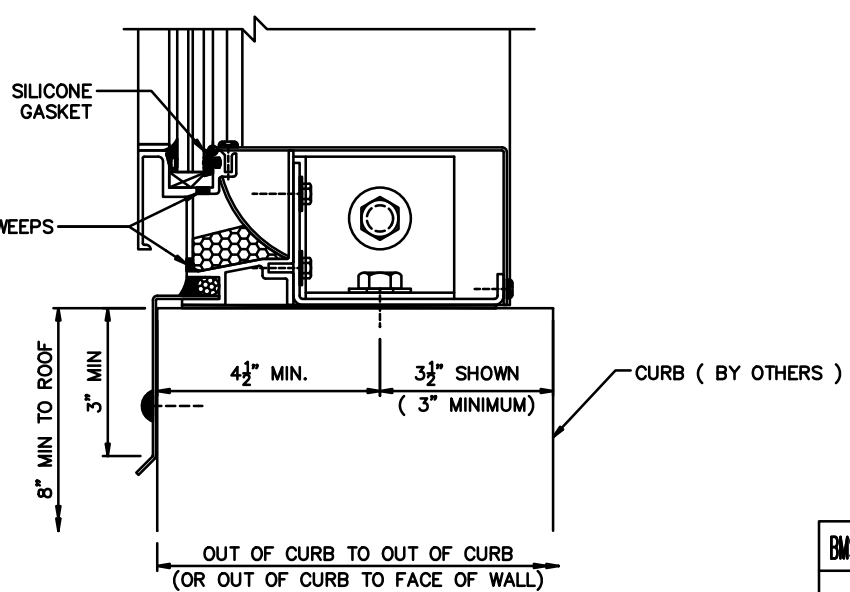
BMSHR436 SILL



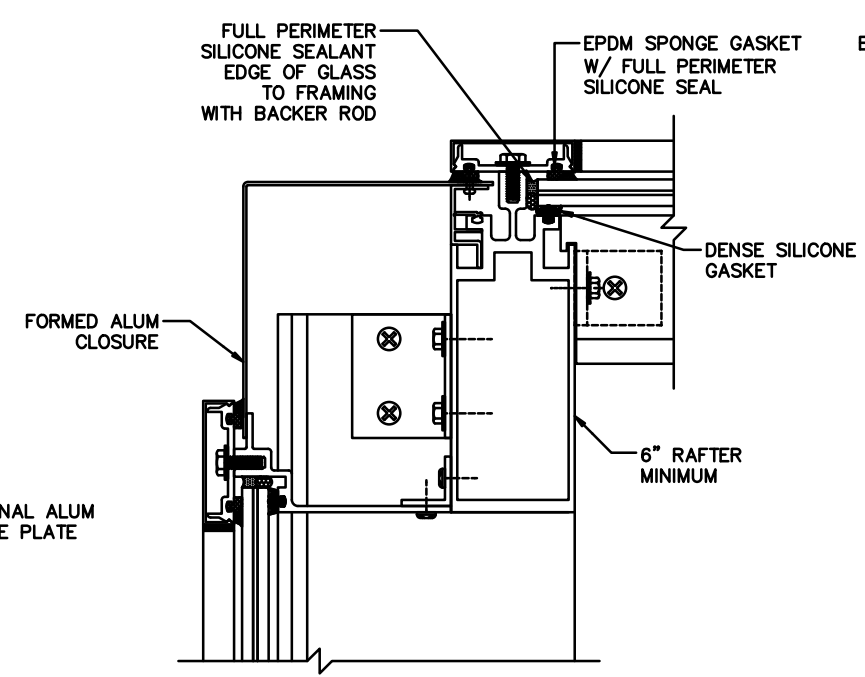
BMSHR413 VERTICAL RAFTER @ GLAZED ENDWALL



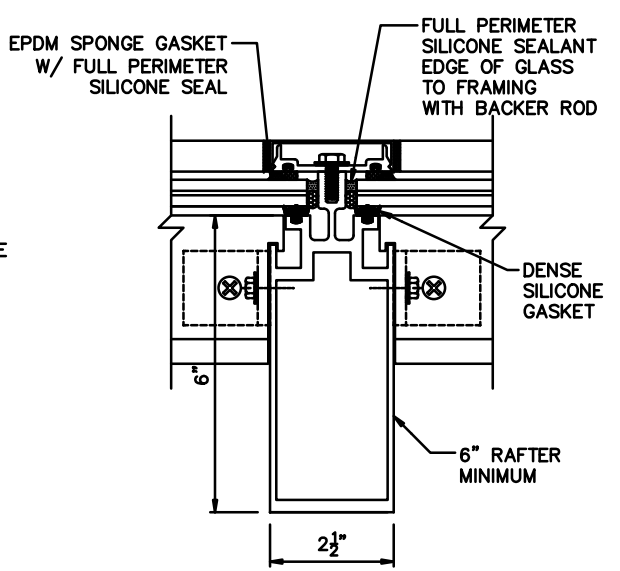
BMSHR411 PURLIN @ GLAZED VERTICAL ENDWALL



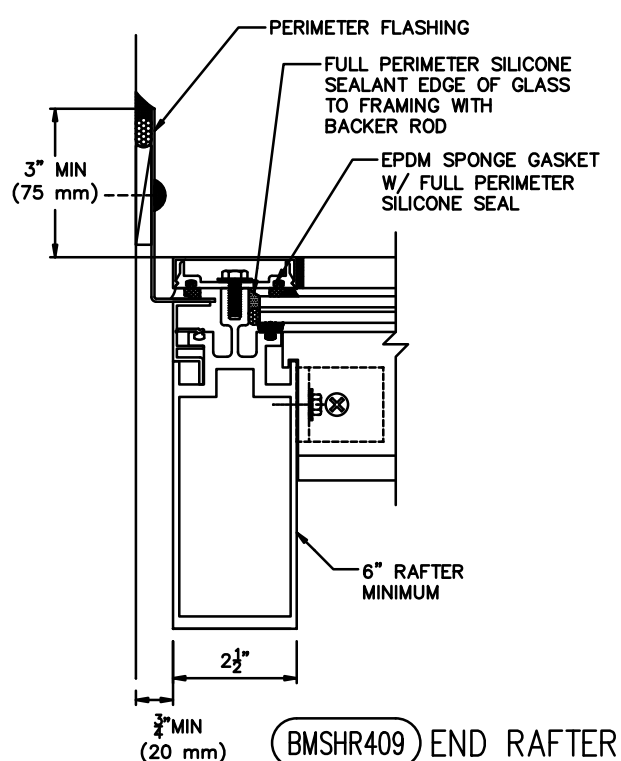
BMSHR410 SILL @ GLAZED VERTICAL ENDWALL



BMSHR412 END RAFTER @ GLAZED VERTICAL ENDWALL



BMSHR405 RAFTER



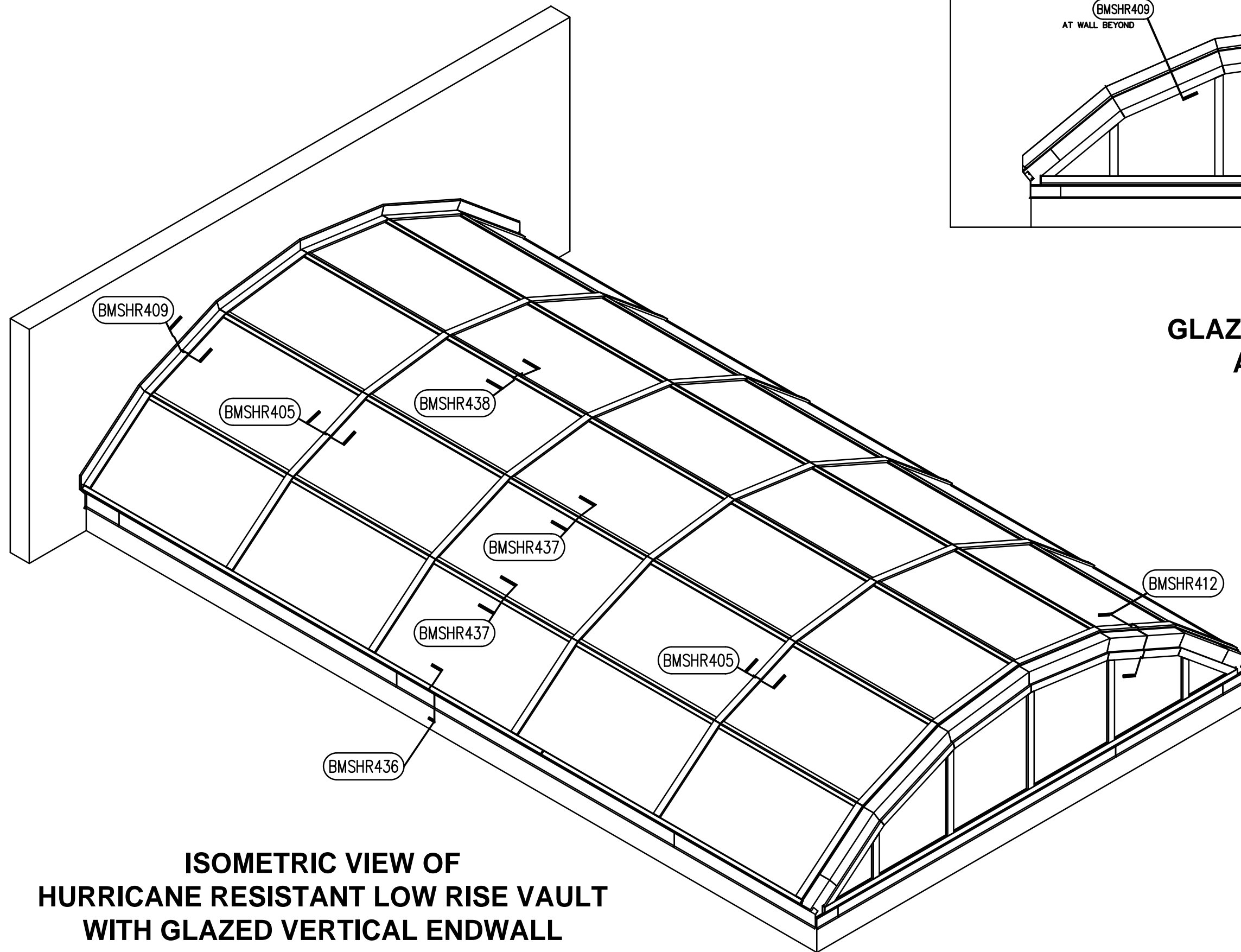
BMSHR409 END RAFTER

BMS-3000 LARGE MISSILE CUSTOM LOW RISE SEGMENTED VAULT W/ or W/O GLAZED ENDWALL

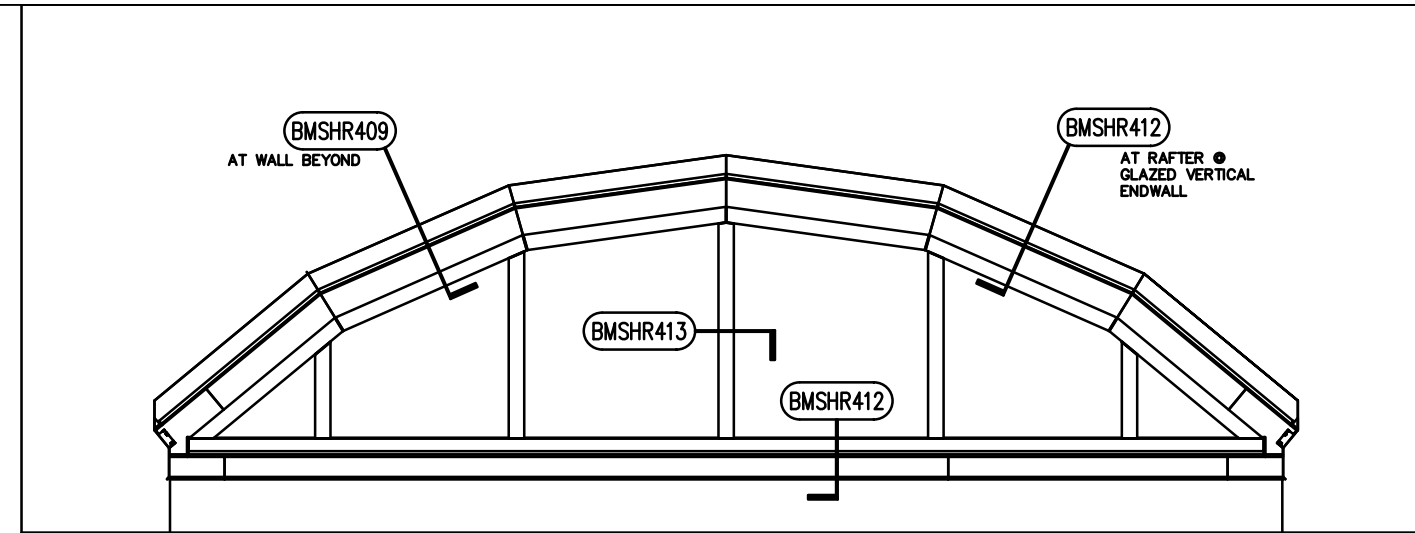
803 AIRPORT RD. TERRELL TX 75160
(972) 551-6100

BMSHR408-2-DET SGP - LAMINATED GLASS

03-10 REV-1

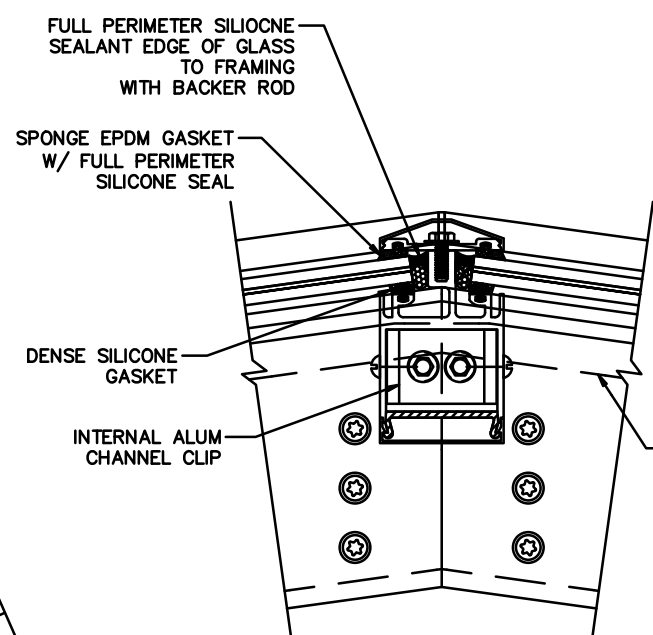


**ISOMETRIC VIEW OF
HURRICANE RESISTANT LOW RISE VAULT
WITH GLAZED VERTICAL ENDWALL**

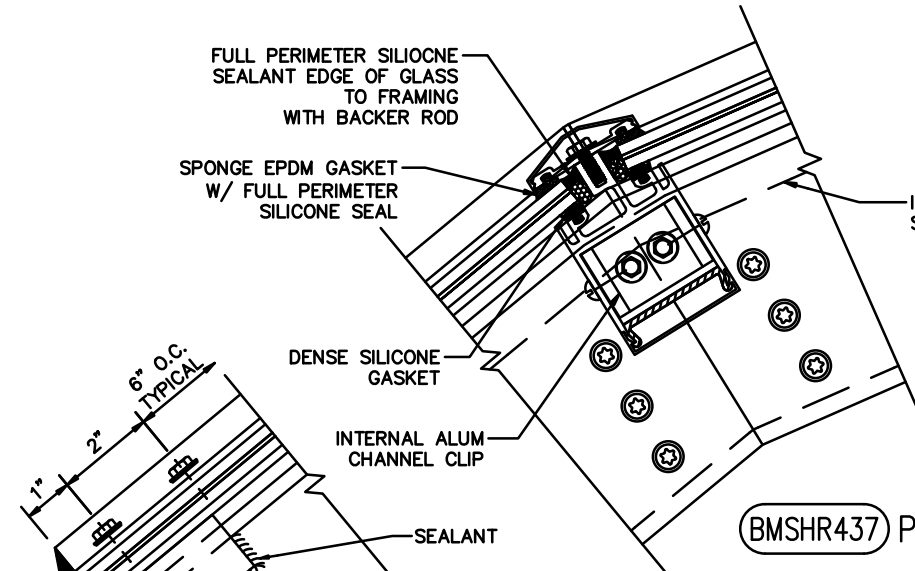


**ELEVATION OF
GLAZED VERTICAL ENDWALL
AT LOW RISE VAULT**

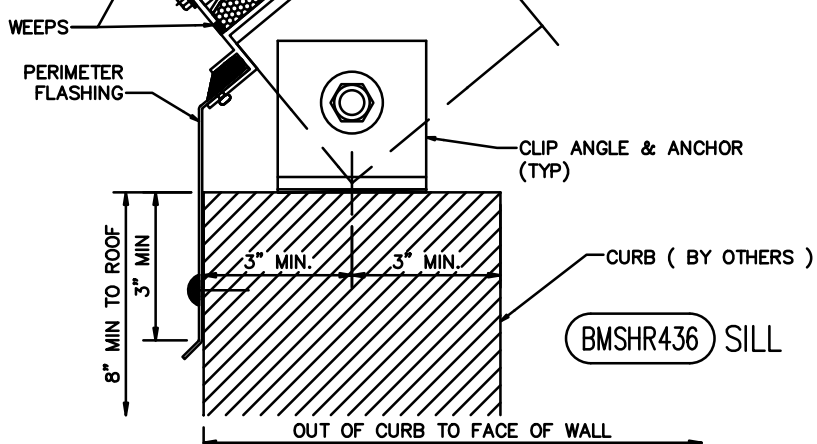
BMS3000 LARGE MISSILE CUSTOM LOW RISE SEGMENTED VAULT	
 Oldcastle Glass Naturalite <small>803 AIRPORT RD. TERRELL TX 75160 (972) 551-6100</small>	BMSHR408-2-3D SGP LAMINATED GLASS
	03-10 REV-1



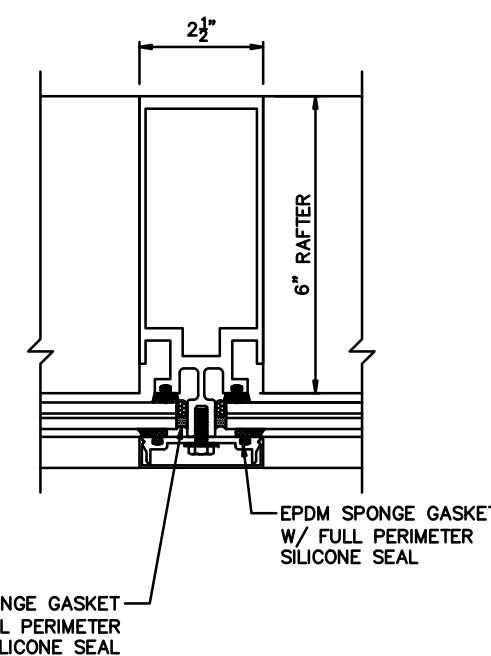
BMSHR438 PURLIN



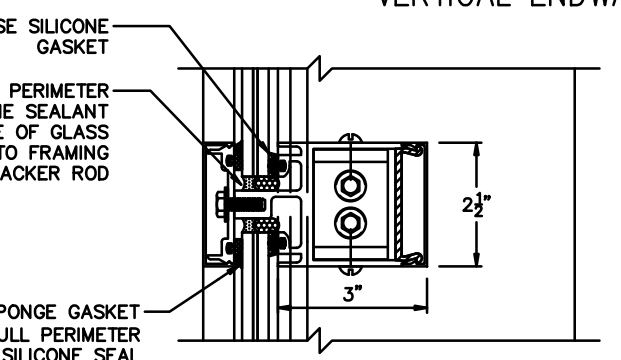
BMSHR437 PURLIN



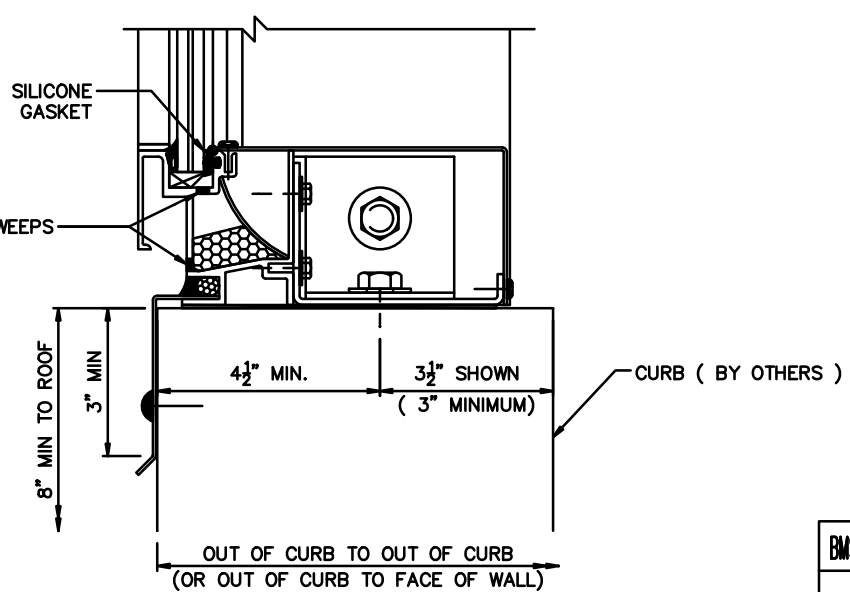
BMSHR436 SILL



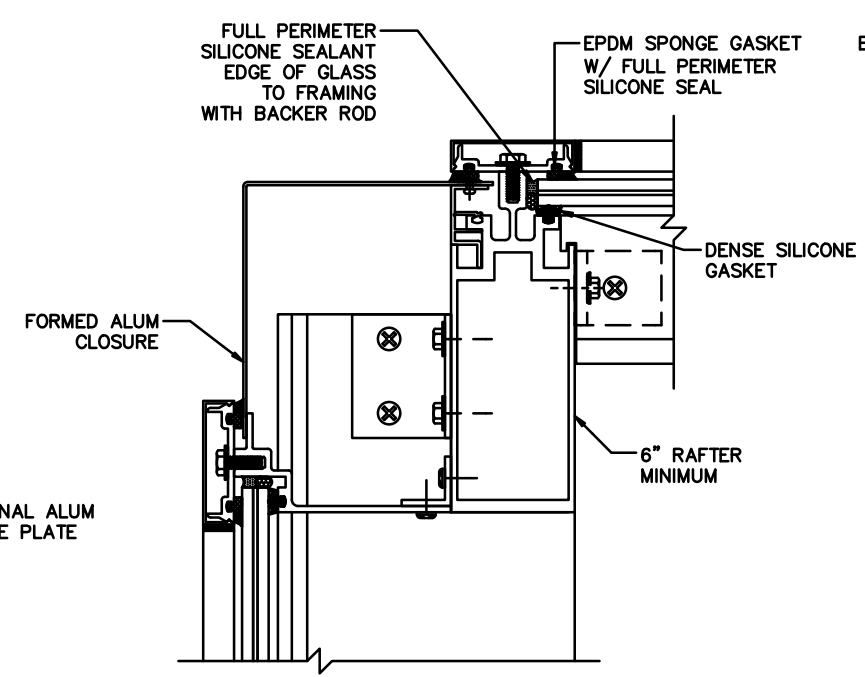
BMSHR413 VERTICAL RAFTER @ GLAZED ENDWALL



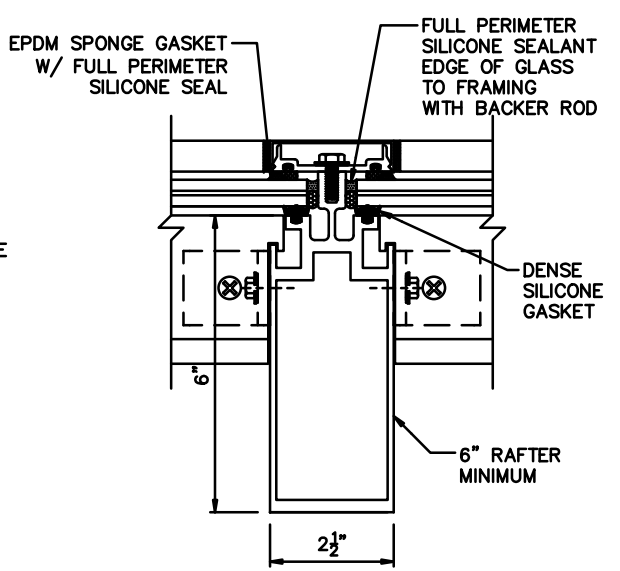
BMSHR411 PURLIN @ GLAZED VERTICAL ENDWALL



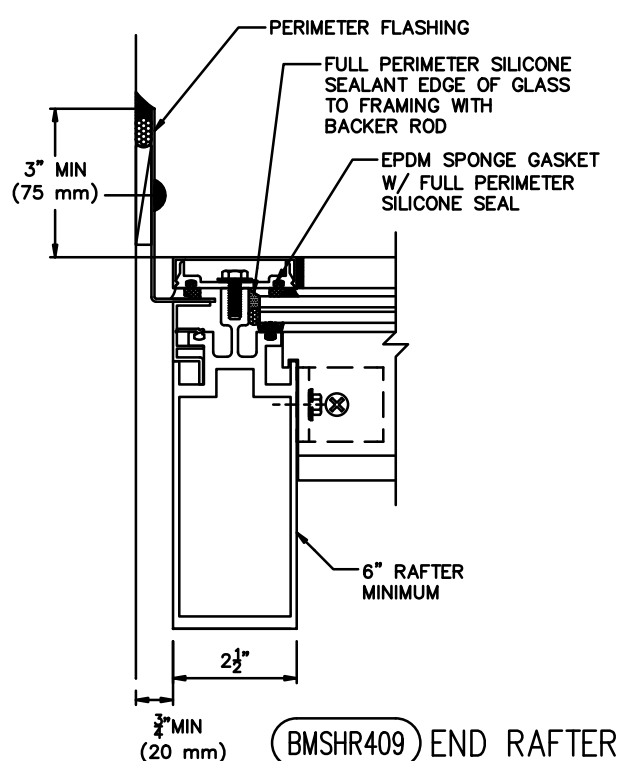
BMSHR410 SILL @ GLAZED VERTICAL ENDWALL



BMSHR412 END RAFTER @ GLAZED VERTICAL ENDWALL



BMSHR405 RAFTER



BMSHR409 END RAFTER

BMS-3000 LARGE MISSILE CUSTOM LOW RISE SEGMENTED VAULT W/ or W/O GLAZED ENDWALL

803 AIRPORT RD. TERRELL TX 75160
(972) 551-6100

BMSHR408-2-DET SGP - LAMINATED GLASS

03-10 REV-1