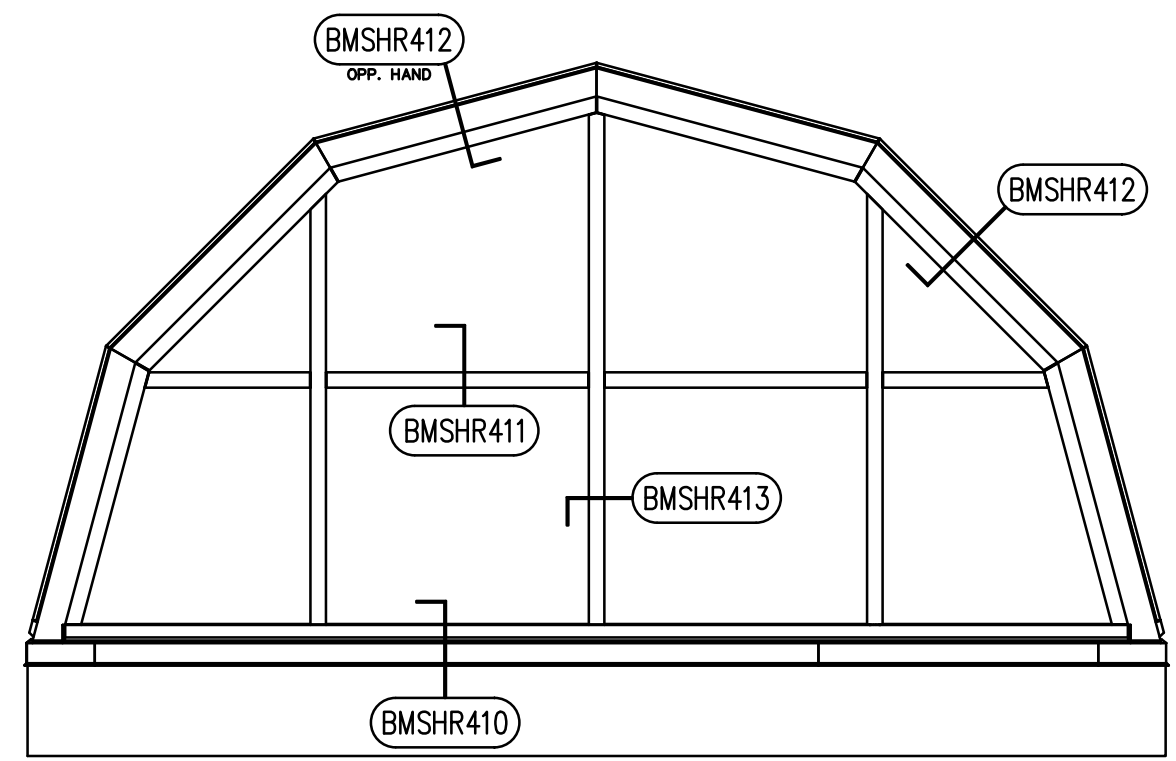


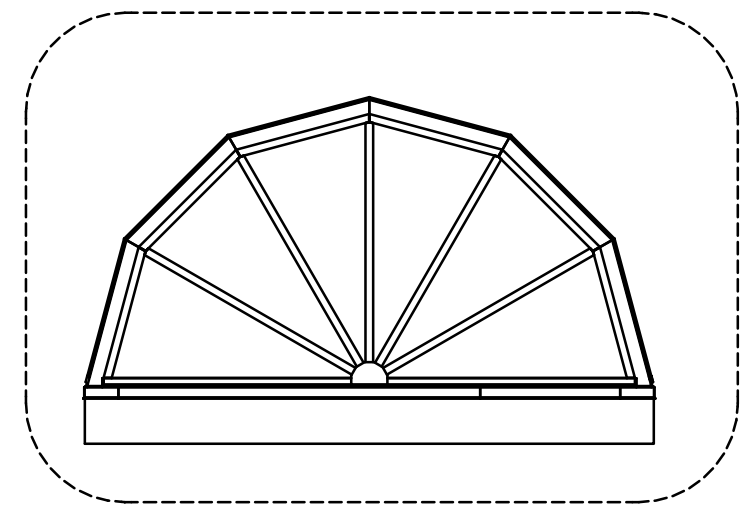
**ISOMETRIC VIEW OF  
HR LARGE MISSILE FULL RISE SEGMENTED VAULT  
WITH GLAZED VERTICAL ENDWALL**

(SCALE : 1 1/2" = 1'-0")



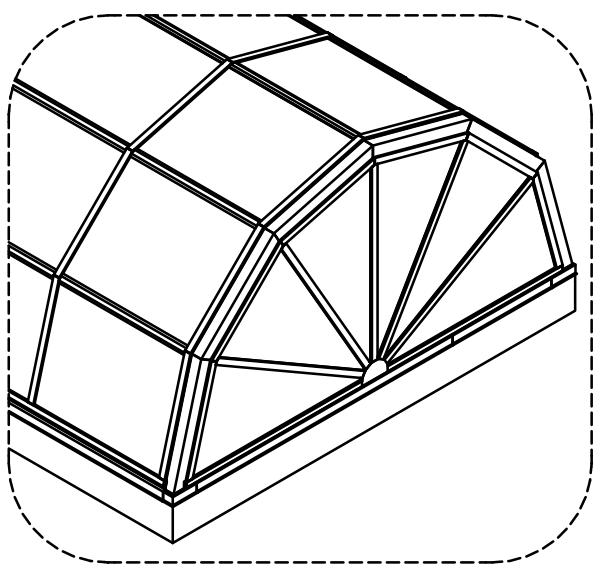
**ELEVATION OF ENDWALL**

(SCALE : 1 1/2" = 1'-0")



**ELEVATION OF ALTERNATE GLAZED VERTICAL  
ENDWALL**

(SCALE : 3/4" = 1'-0")

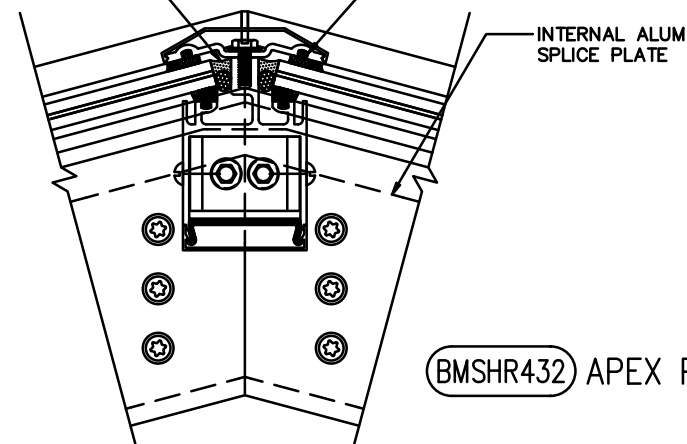


PARTIAL ISOMETRIC VIEW OF HR LARGE MISSILE FULL RISE SEGMENTED VAULT WITH ALTERNATE GLAZED VERTICAL ENDWALL

(SCALE : 3/4" = 1'-0")

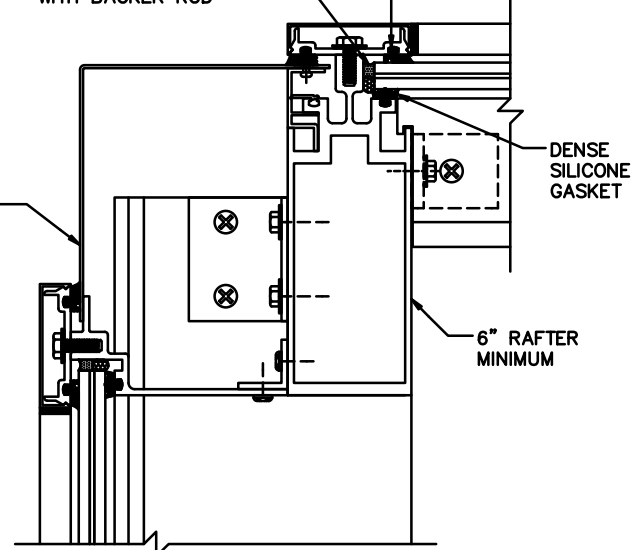
BMS-3000 LARGE MISSILE CUSTOM SEGMENTED VAULT W/ or W/O GLAZED ENDWALL	
 <p>801 AIRPORT RD. TERRELL TX 75160 (972) 551-6100</p>	BMSHR408-1-3D SGP - LAMINATED GLASS
	03-10   REV-1

FULL PERIMETER SILICONE SEALANT EDGE OF GLASS TO FRAMING WITH BACKER ROD  
 SPONGE EPDM GASKET W/ FULL PERIMETER SILICONE SEAL  
 INTERNAL ALUM SPLICE PLATE



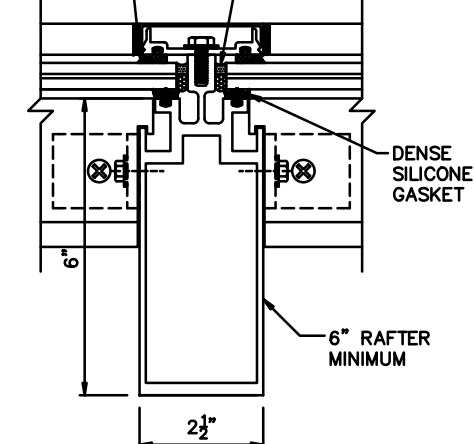
**BMSHR432** APEX PURLIN

FULL PERIMETER SILICONE SEALANT EDGE OF GLASS TO FRAMING WITH BACKER ROD  
 EPDM SPONGE GASKET W/ FULL PERIMETER SILICONE SEAL



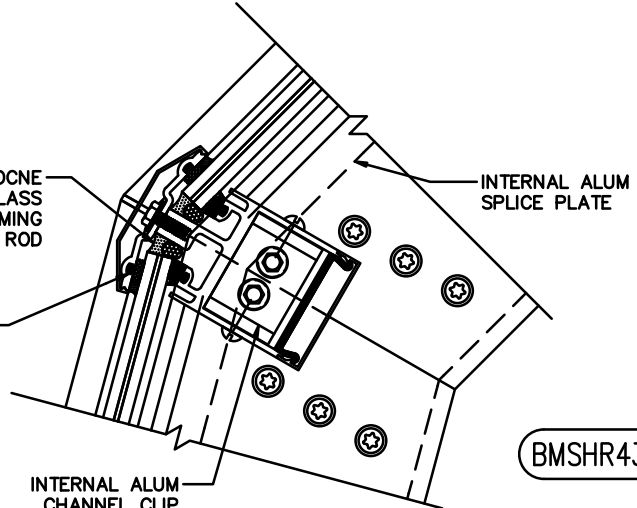
**BMSHR412** END RAFTER @ GLAZED VERTICAL ENDWALL

EPDM SPONGE GASKET W/ FULL PERIMETER SILICONE SEAL  
 FULL PERIMETER SILICONE SEALANT EDGE OF GLASS TO FRAMING WITH BACKER ROD



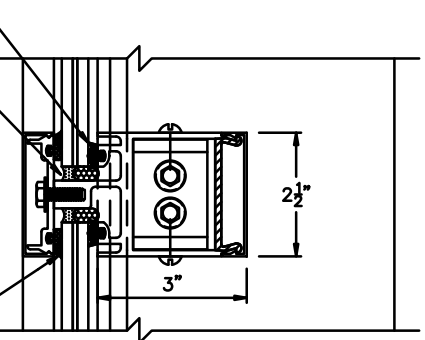
**BMSHR405** RAFTER

FULL PERIMETER SILICONE SEALANT EDGE OF GLASS TO FRAMING WITH BACKER ROD  
 SPONGE EPDM GASKET W/ FULL PERIMETER SILICONE SEAL  
 INTERNAL ALUM CHANNEL CLIP



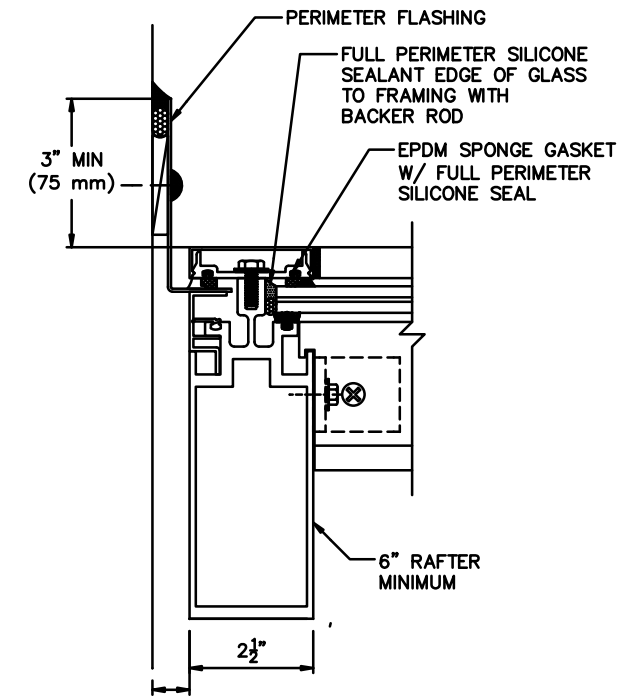
**BMSHR431** PURLIN

DENSE SILICONE GASKET  
 FULL PERIMETER SILICONE SEALANT EDGE OF GLASS TO FRAMING WITH BACKER ROD  
 EPDM SPONGE GASKET W/ FULL PERIMETER SILICONE SEAL



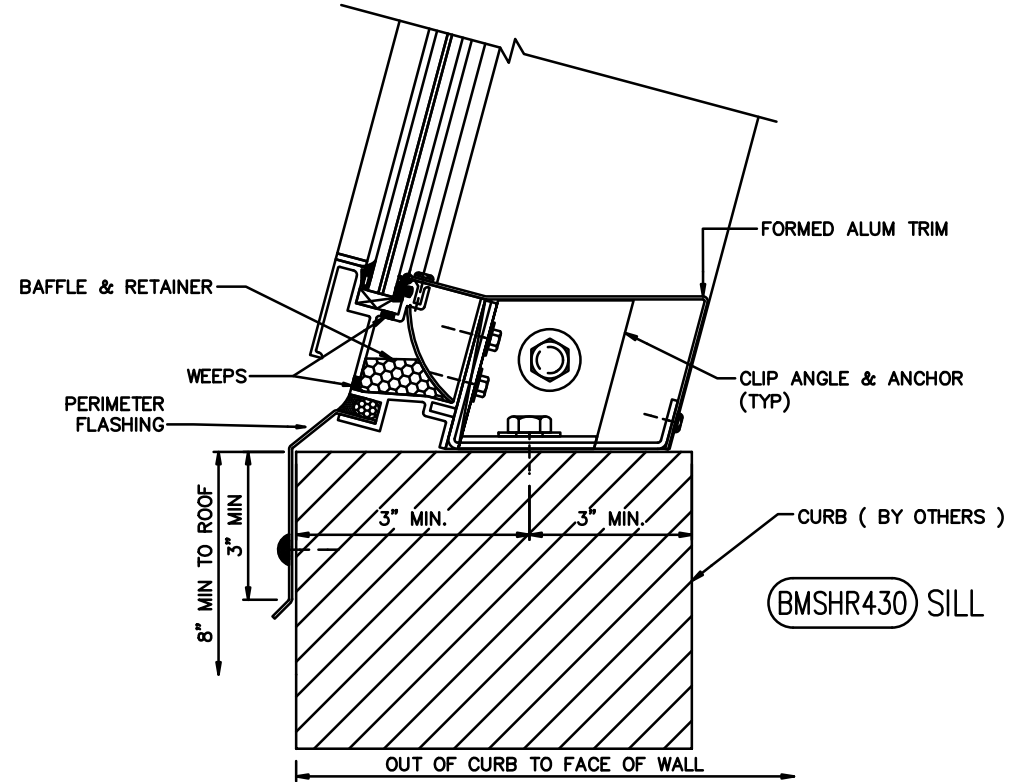
**BMSHR411** PURLIN @ GLAZED VERTICAL ENDWALL

PERIMETER FLASHING  
 FULL PERIMETER SILICONE SEALANT EDGE OF GLASS TO FRAMING WITH BACKER ROD  
 EPDM SPONGE GASKET W/ FULL PERIMETER SILICONE SEAL



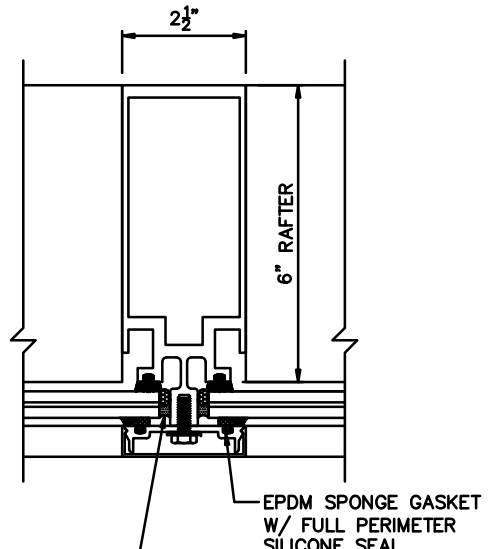
**BMSHR409** END RAFTER

FORMED ALUM TRIM  
 BAFFLE & RETAINER  
 WEEPS  
 PERIMETER FLASHING  
 CLIP ANGLE & ANCHOR (TYP)  
 CURB ( BY OTHERS )



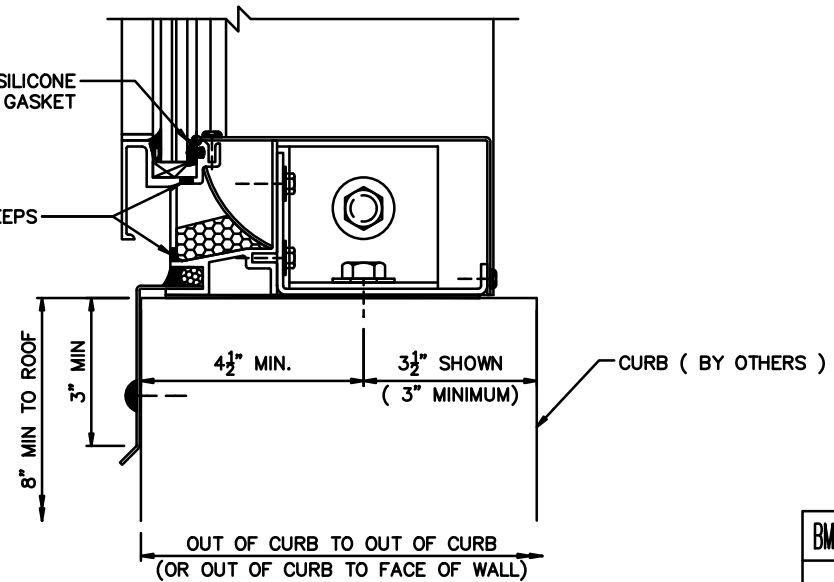
**BMSHR430** SILL

EPDM SPONGE GASKET W/ FULL PERIMETER SILICONE SEAL




**BMSHR413** VERTICAL RAFTER @ GLAZED ENDWALL

DENSE SILICONE GASKET  
 WEEPS  
 CURB ( BY OTHERS )



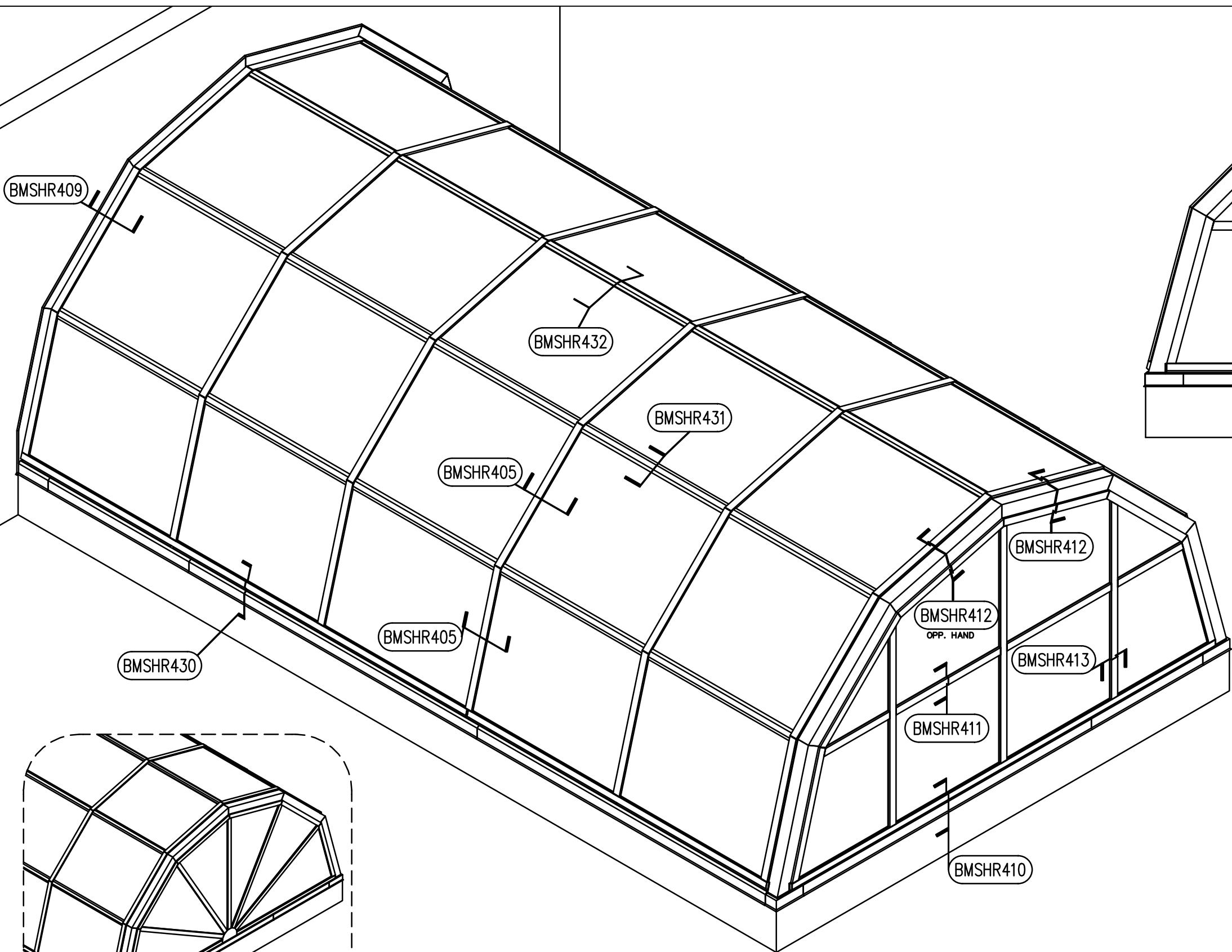
**BMSHR410** SILL @ GLAZED VERTICAL ENDWALL

BMS-3000 LARGE MISSILE CUSTOM SEGMENTED VAULT W/ or W/O GLAZED ENDWALL



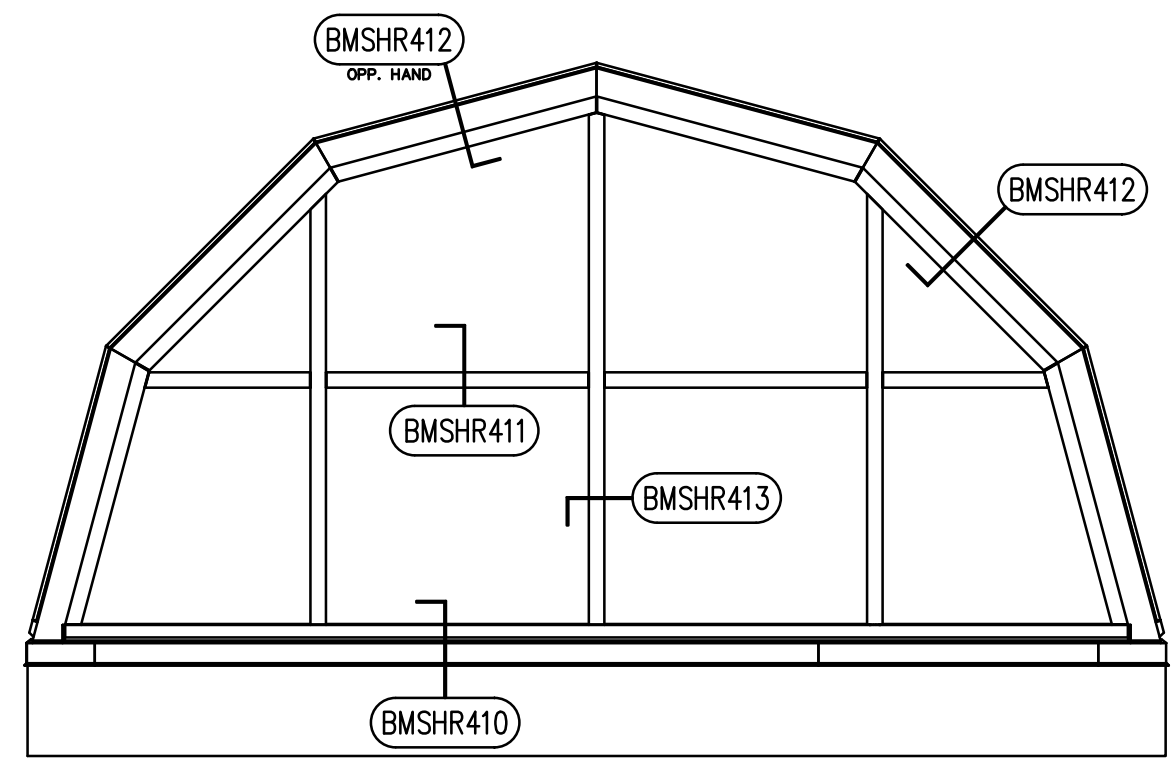
801 AIRPORT RD. TERRELL, TX 75160  
 (972) 551-6100

**BMSHR408-1-DET**  
 SGP - LAMINATED GLASS  
 03-10 REV-1



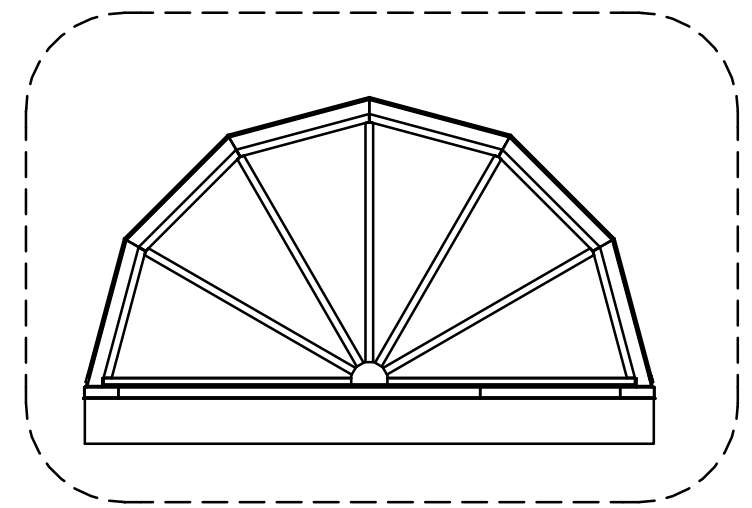
**ISOMETRIC VIEW OF  
HR LARGE MISSILE FULL RISE SEGMENTED VAULT  
WITH GLAZED VERTICAL ENDWALL**

(SCALE : 1 1/2" = 1'-0")



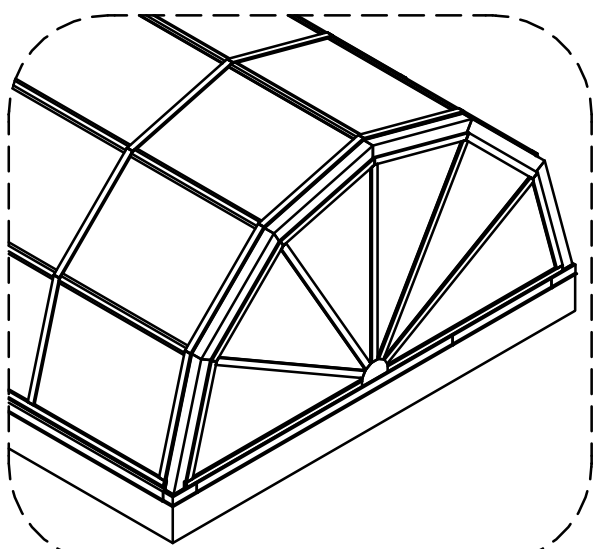
**ELEVATION OF ENDWALL**

(SCALE : 1 1/2" = 1'-0")




**ELEVATION OF ALTERNATE GLAZED VERTICAL  
ENDWALL**

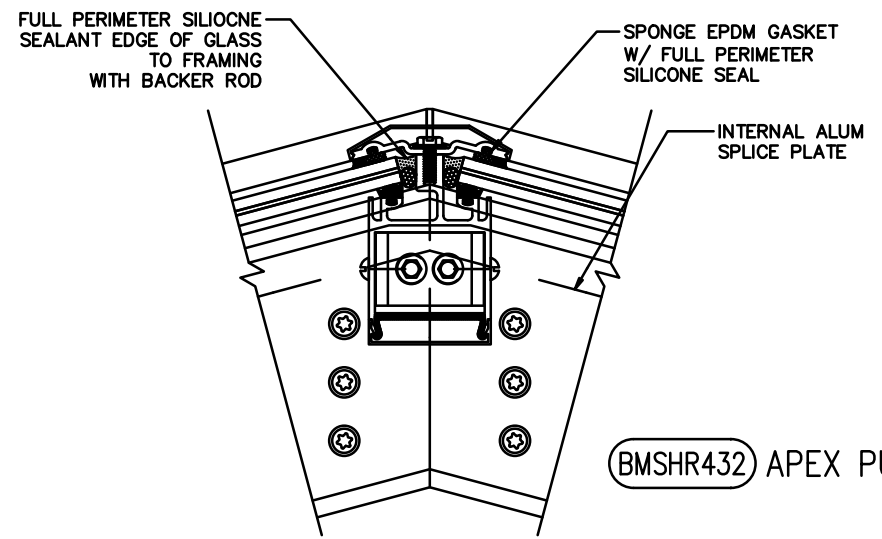
(SCALE : 3/4" = 1'-0")



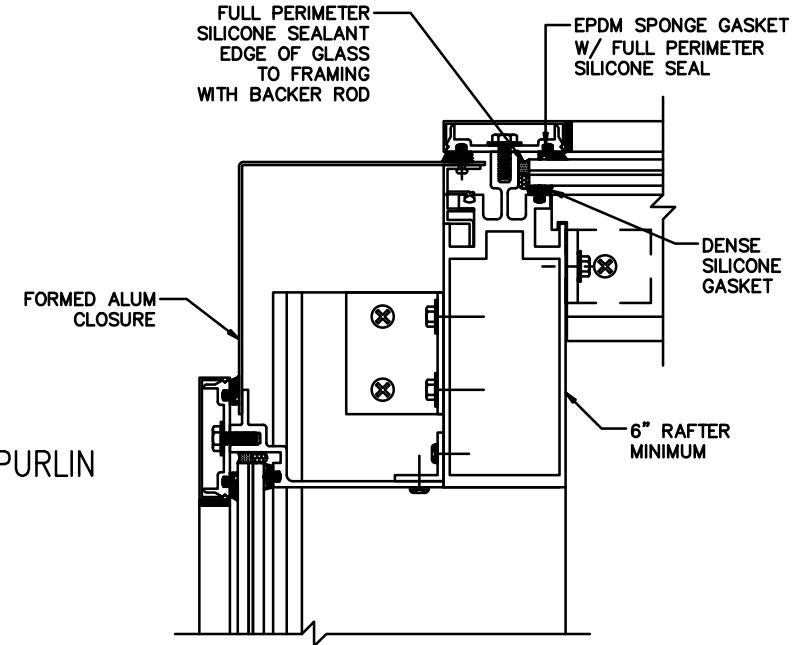
PARTIAL ISOMETRIC VIEW OF HR LARGE MISSILE FULL RISE SEGMENTED VAULT WITH ALTERNATE GLAZED VERTICAL ENDWALL

(SCALE : 3/4" = 1'-0")

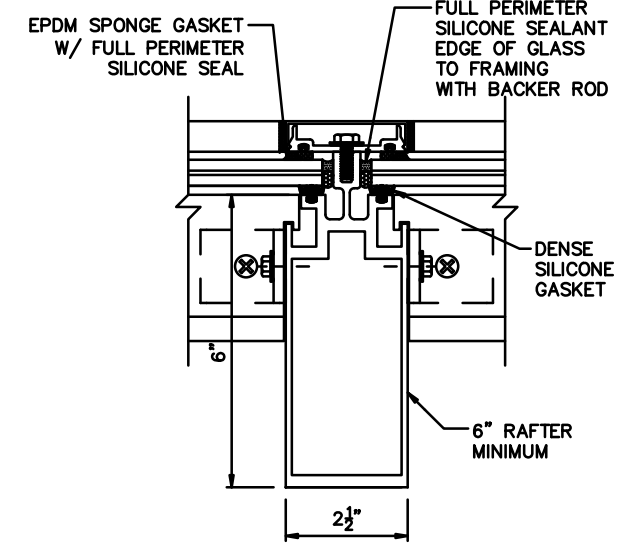
BMS3000 LARGE MISSILE CUSTOM SEGMENTED VAULT W/ or W/O GLAZED ENDWALL	
 <p>801 AIRPORT RD. TERRELL TX 75160 (972) 551-6100</p>	BMSHR408-1-3D SGP - LAMINATED GLASS
	03-10   REV-1



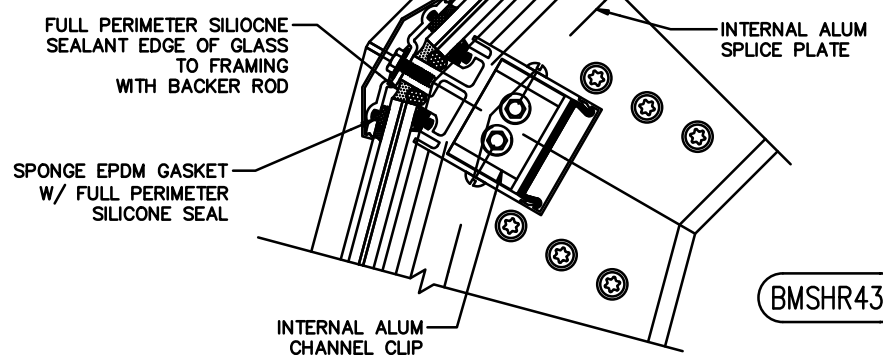
**BMSHR432** APEX PURLIN



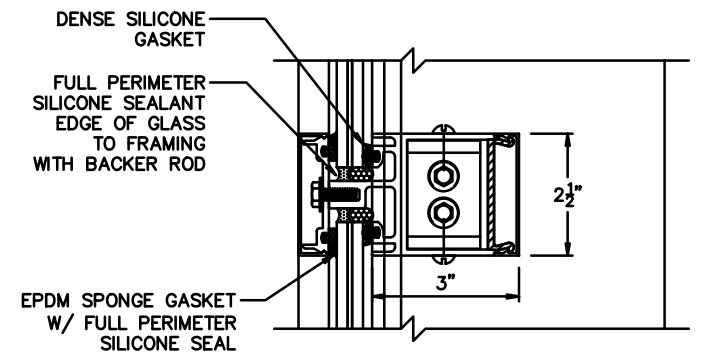
**BMSHR412** END RAFTER @ GLAZED VERTICAL ENDWALL



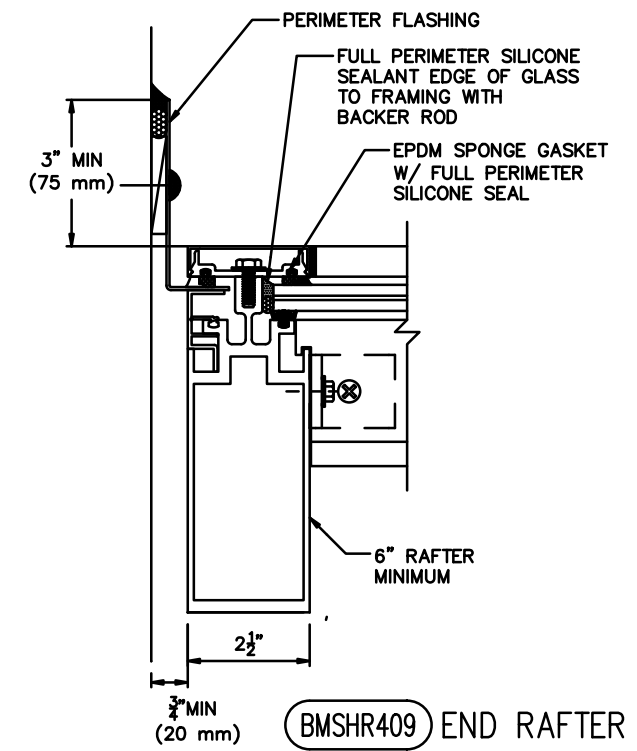
**BMSHR405** RAFTER



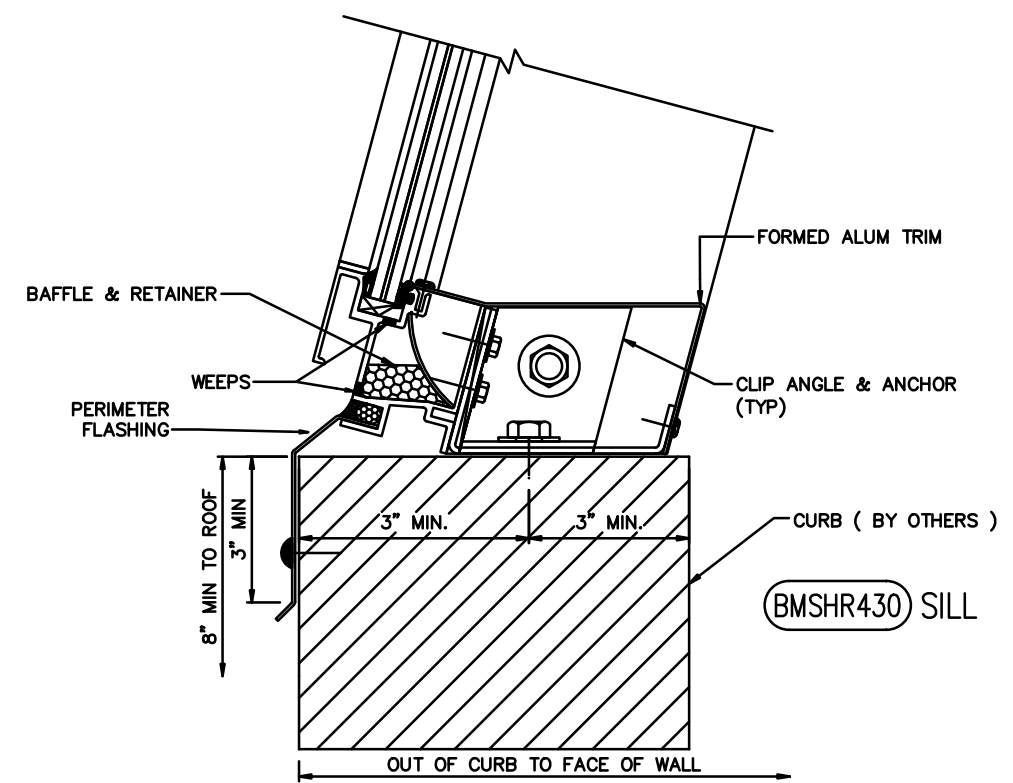
**BMSHR431** PURLIN



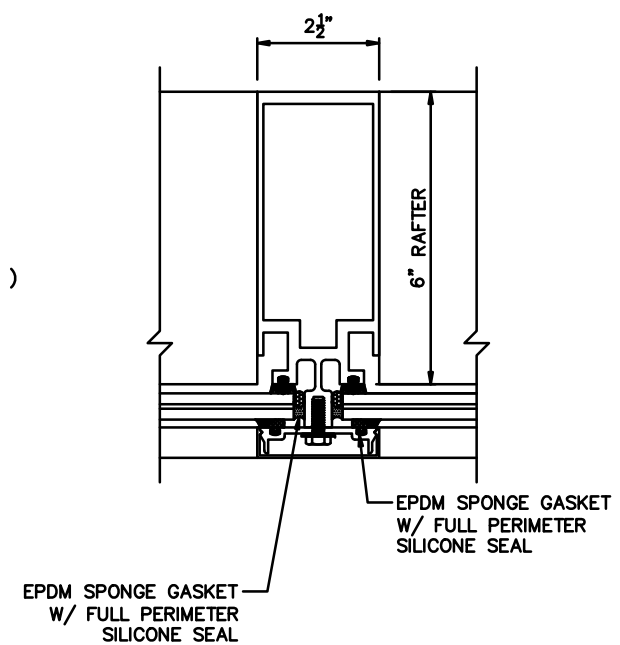
**BMSHR411** PURLIN @ GLAZED VERTICAL ENDWALL



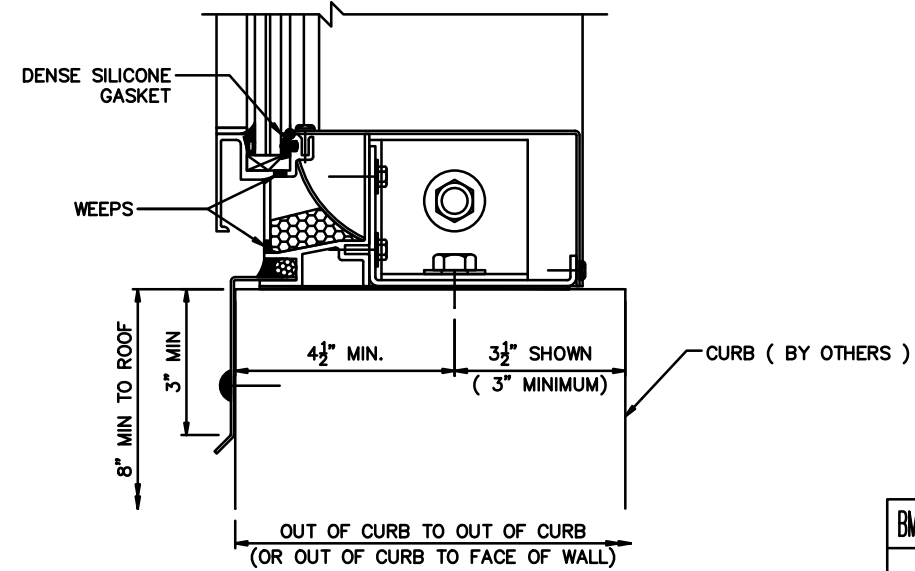
**BMSHR409** END RAFTER



**BMSHR430** SILL



**BMSHR413** VERTICAL RAFTER @ GLAZED ENDWALL



**BMSHR410** SILL @ GLAZED VERTICAL ENDWALL

BMS-3000 LARGE MISSILE CUSTOM SEGMENTED VAULT W/ or W/O GLAZED ENDWALL

801 AIRPORT RD. TERRELL, TX 75160  
(972) 551-6100

**BMSHR408-1-DET**  
SGP - LAMINATED GLASS

03-10 REV-1