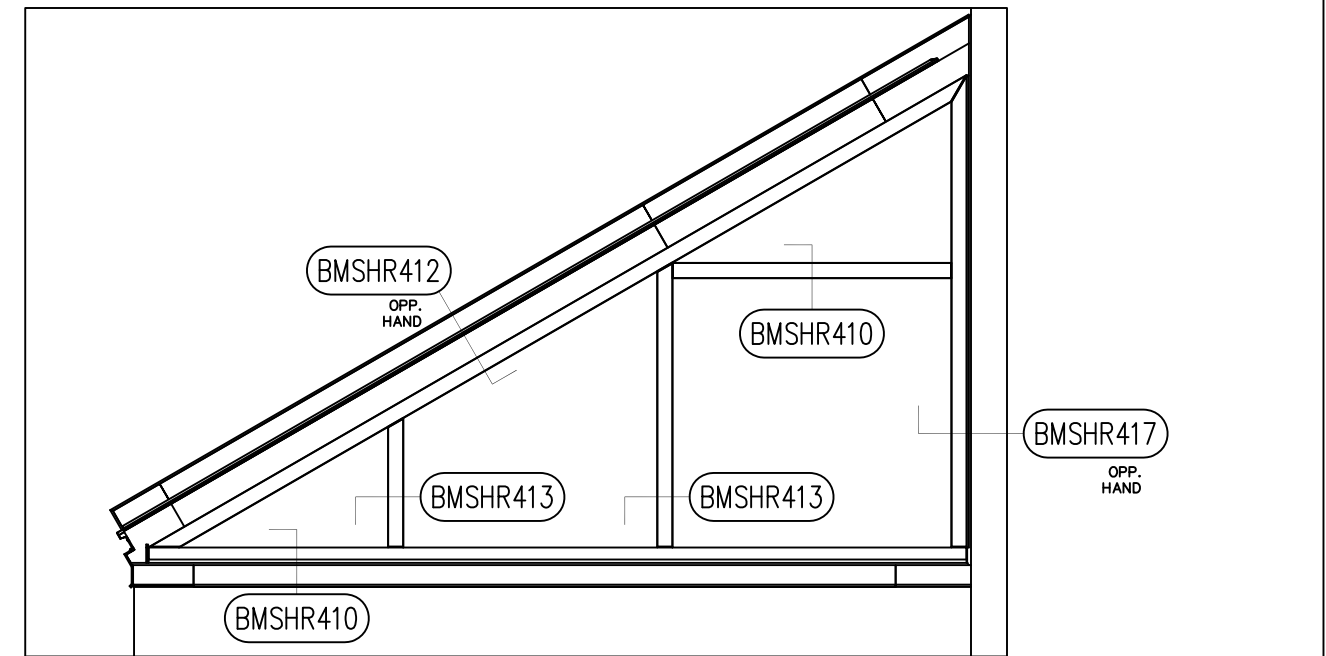
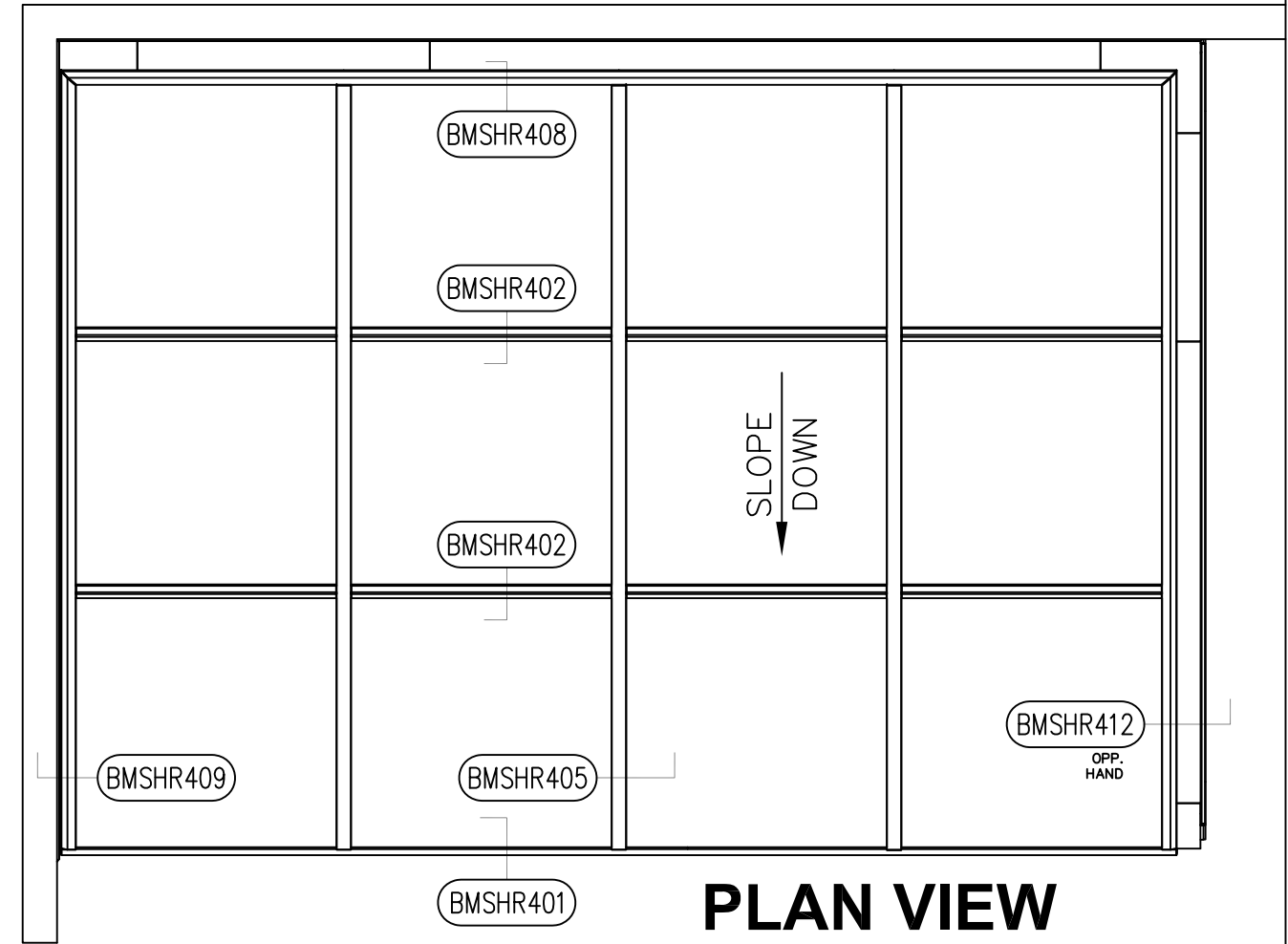
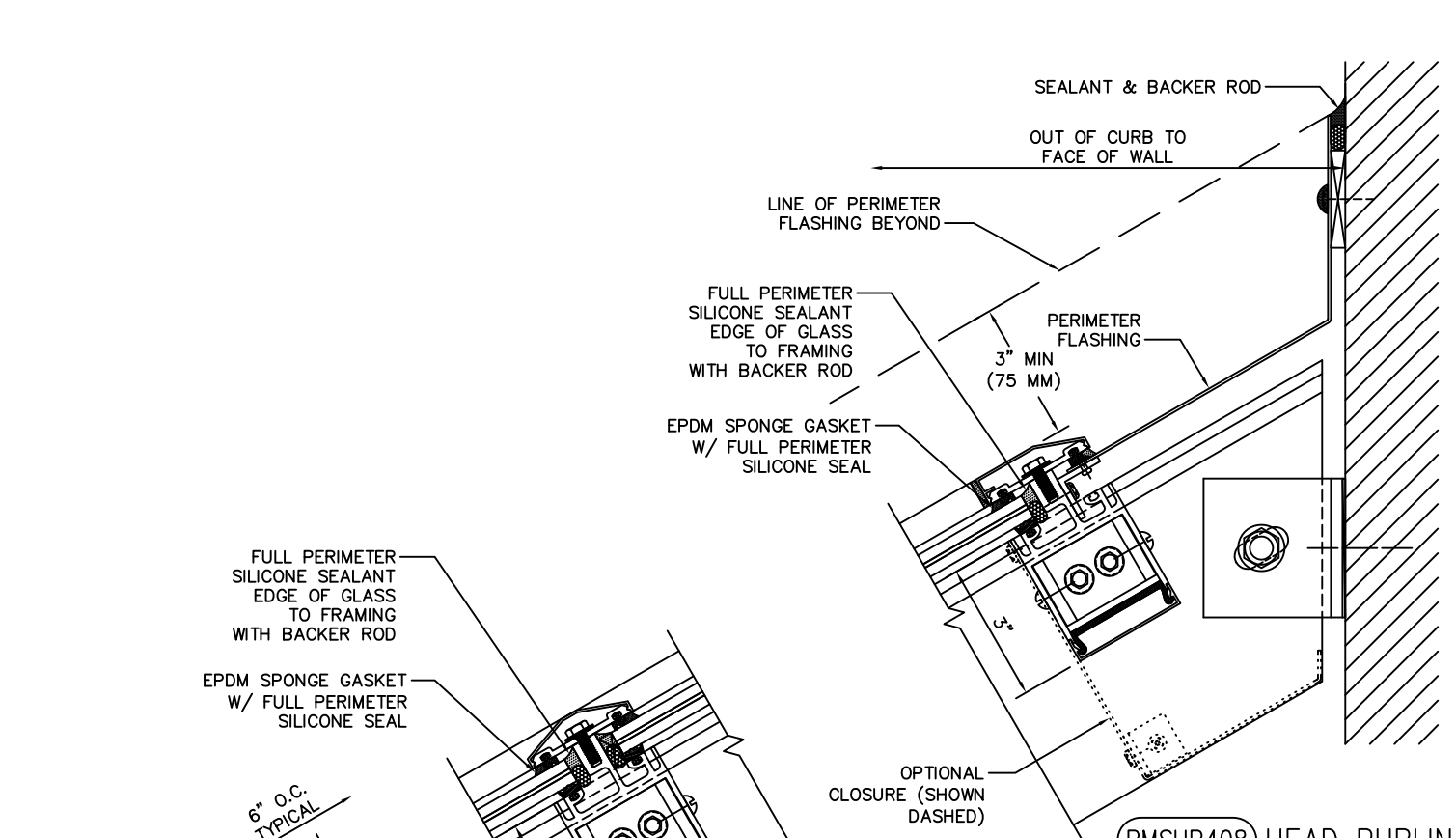
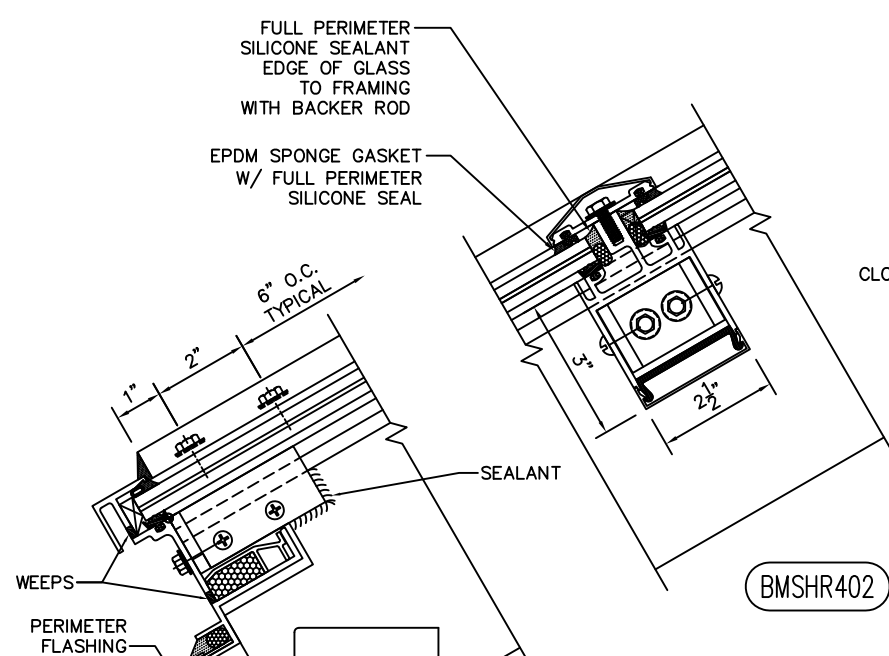


**ISOMETRIC VIEW OF HR SMALL MISSILE  
SINGLE SLOPE SKYLIGHT  
WITH GLAZED VERTICAL ENDWALL**

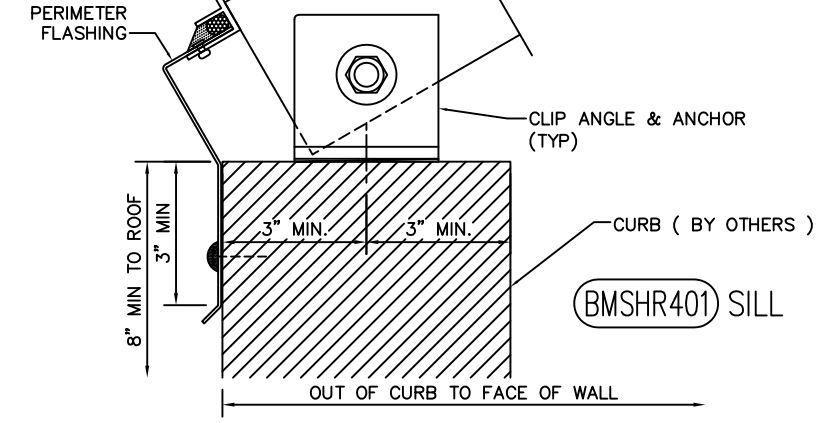




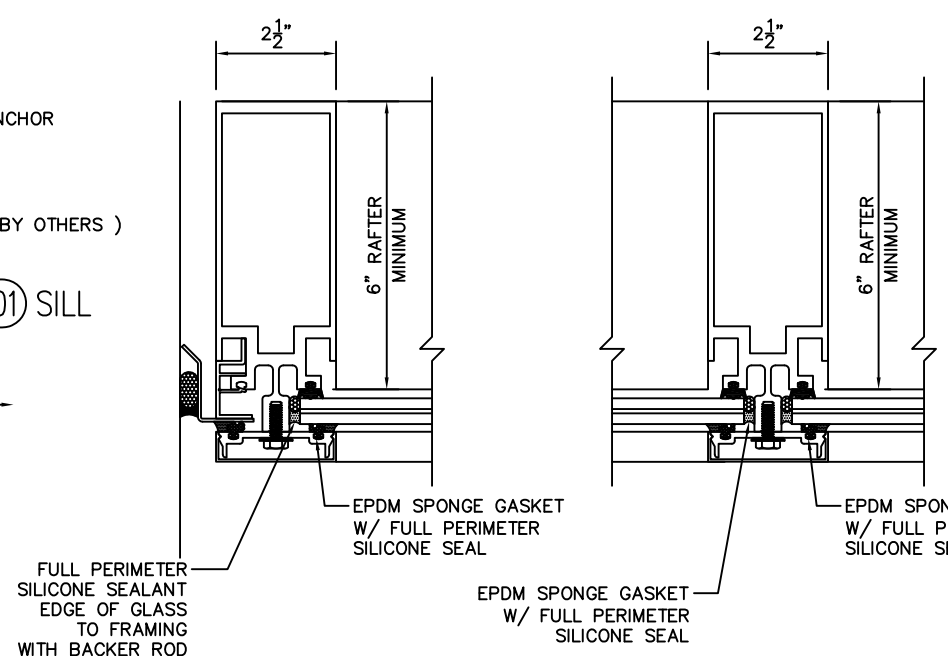
**BMSHR408** HEAD PURLIN



**BMSHR402** PURLIN

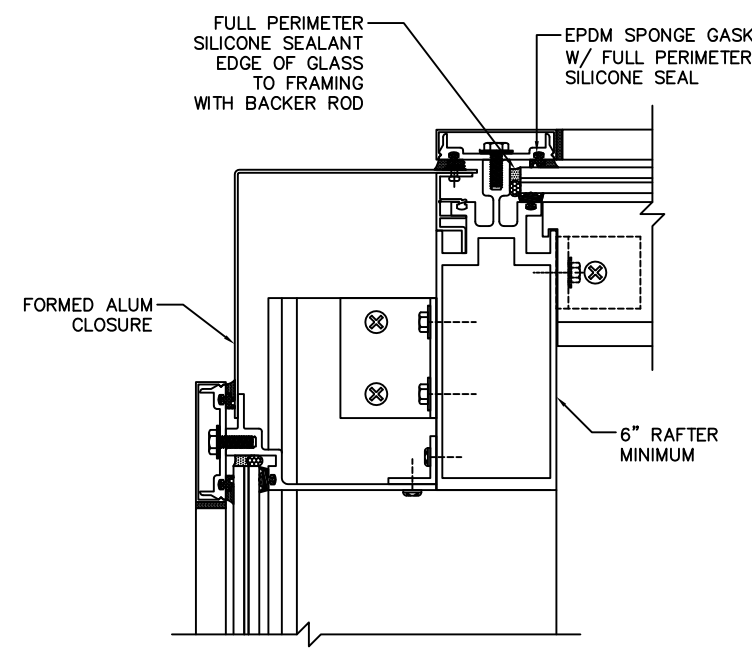


**BMSHR401** SILL

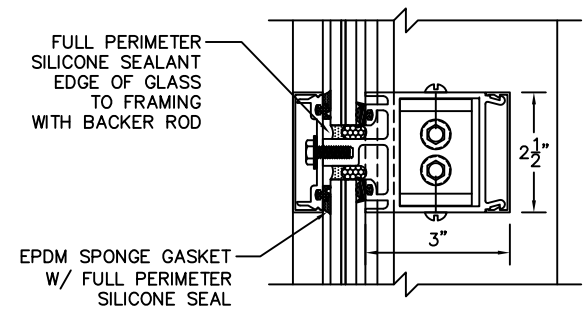


**BMSHR417** JAMB RAFTER @ GLAZED ENDWALL

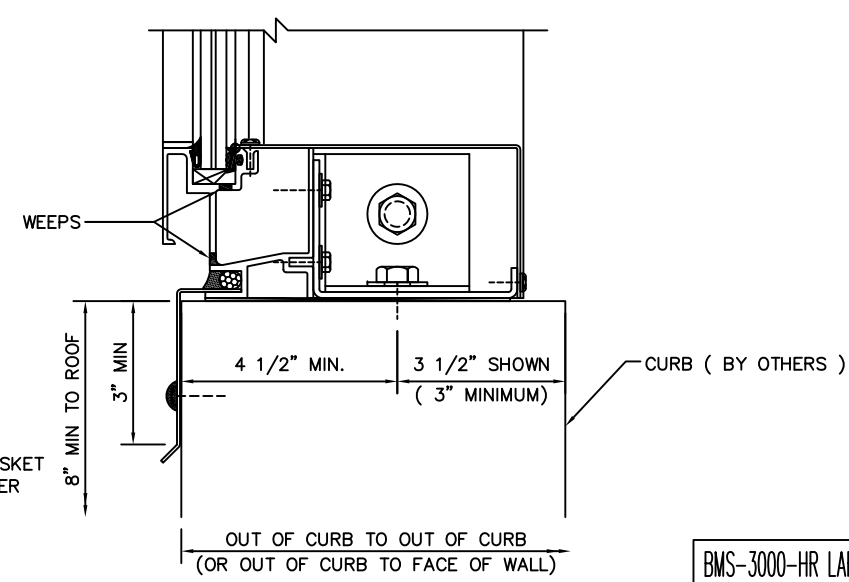
**BMSHR413** VERTICAL RAFTER @ GLAZED ENDWALL



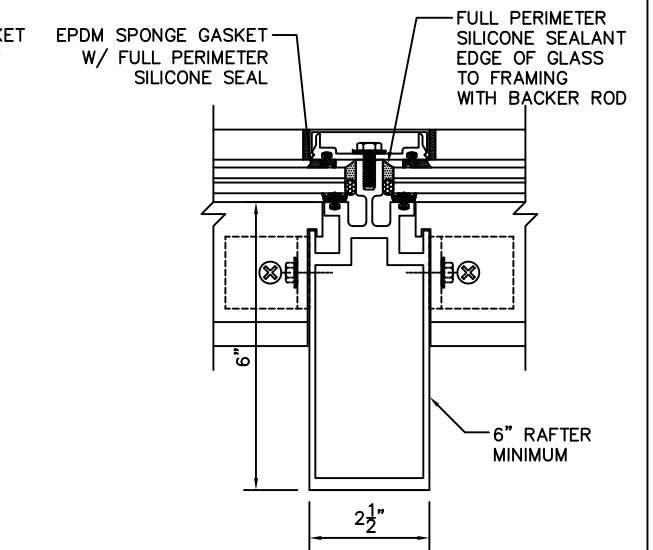
**BMSHR412** END RAFTER @ ROOF CURB OR PARAPET WALL



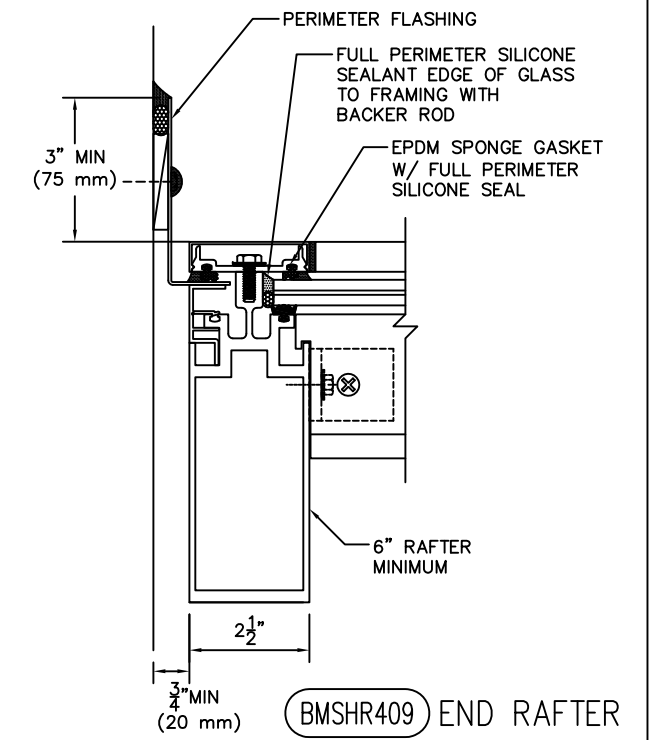
**BMSHR411** PURLIN @ GLAZED VERTICAL ENDWALL



**BMSHR410** SILL @ GLAZED VERTICAL ENDWALL



**BMSHR405** RAFTER



**BMSHR409** END RAFTER

BMS-3000-HR LARGE MISSILE CUSTOM SINGLE SLOPE WITH VERTICAL END GLAZED



803 AIRPORT RD. TERRELL TX 75160  
(972) 551-6100

**BMSHR404-DET SGP LAMINATED**

01-10 | REV-1