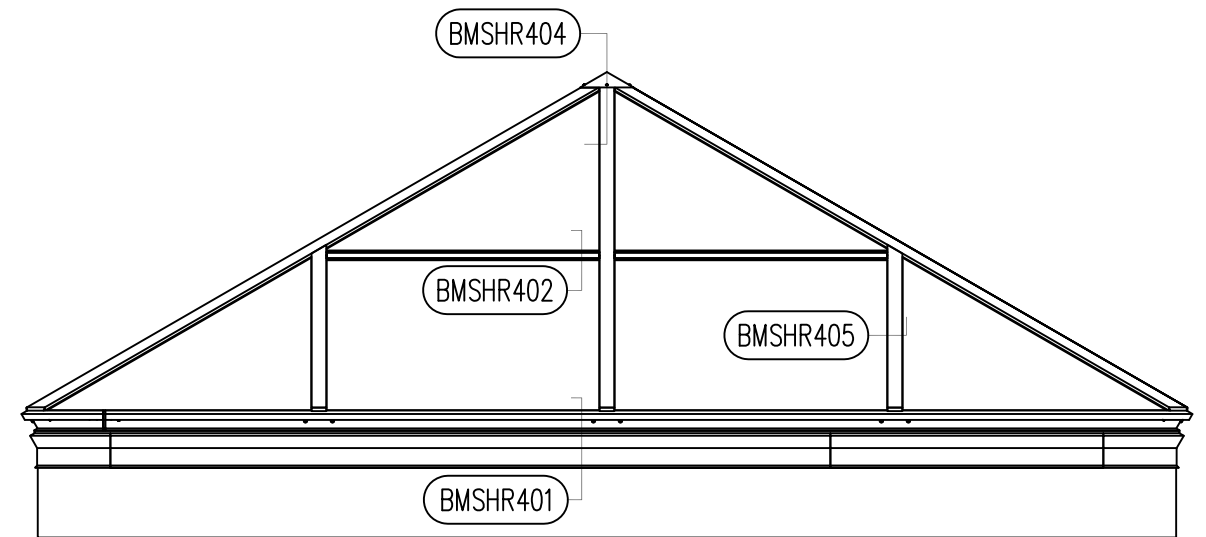
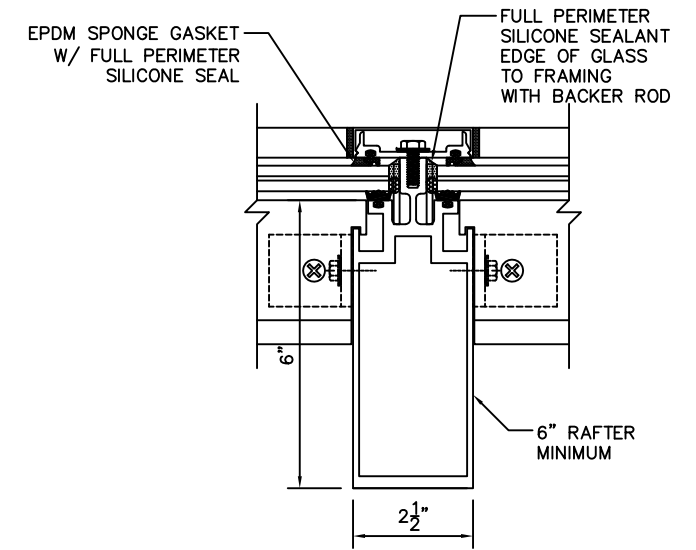
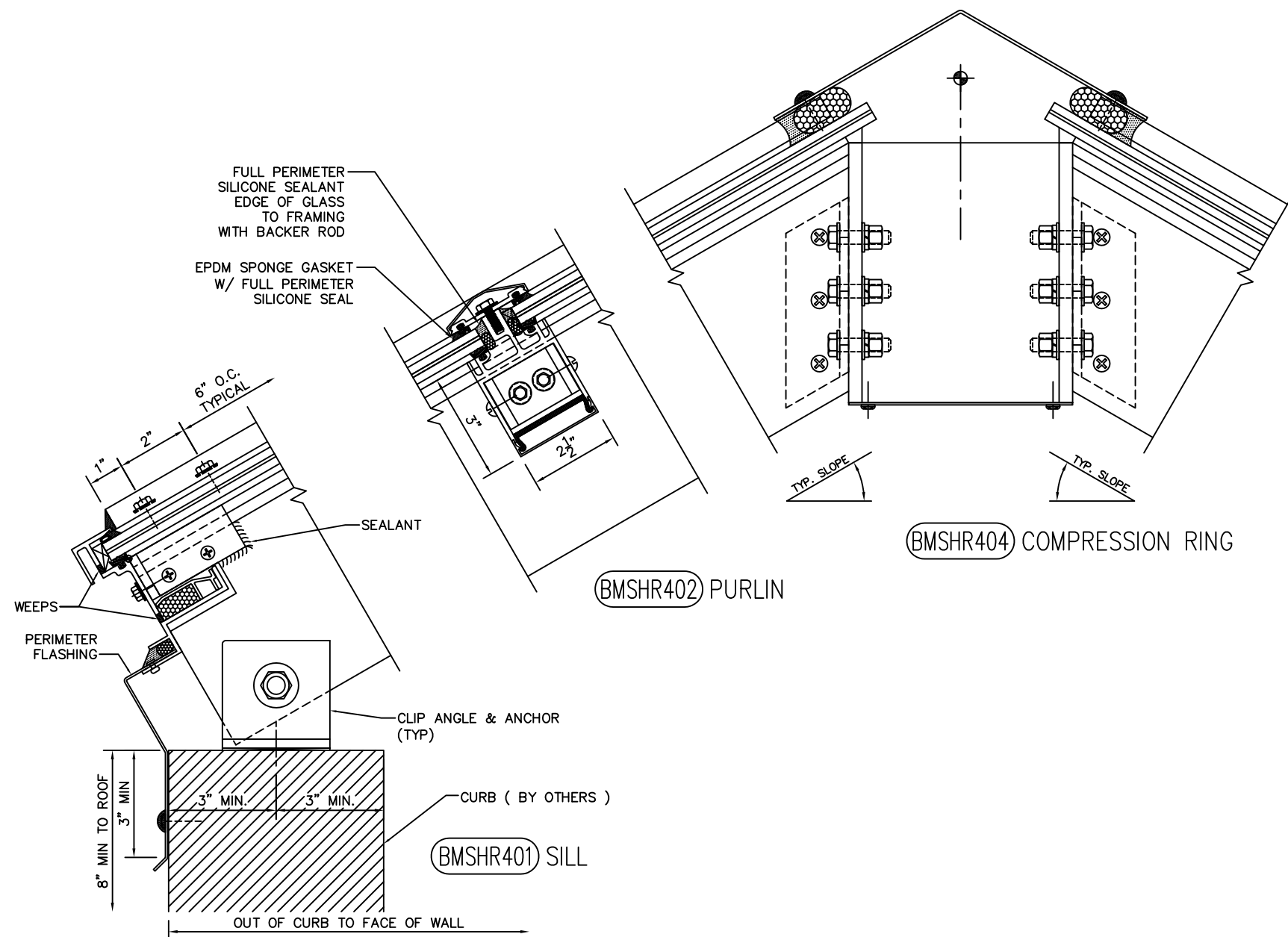


ISOMETRIC VIEW OF  
HURRICANE RESISTANT  
PYRAMID

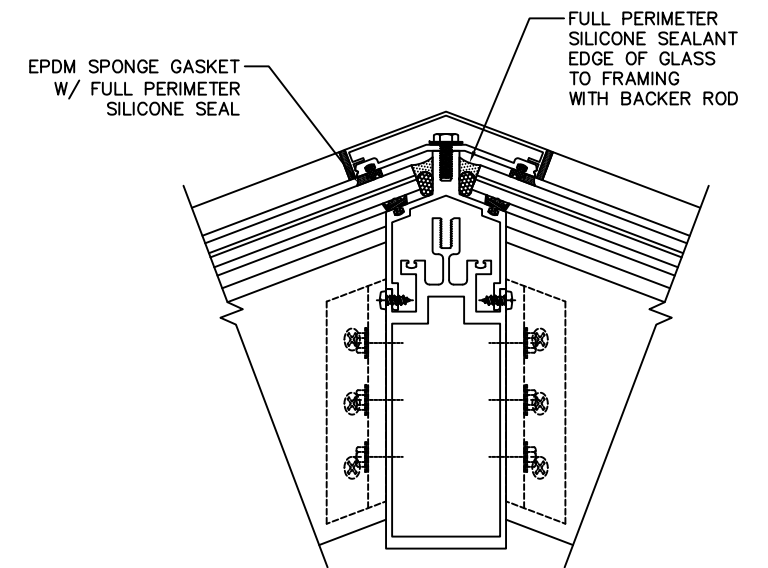


ELEVATION OF  
PYRAMID

BMS-3000-HR LARGE MISSILE CUSTOM PYRAMID - SGP LAMINATED	
 <b>Oldcastle</b> BuildingEnvelope™ <small>803 AIRPORT RD. TERRELL TX 75160          (972) 551-6100</small>	BMSHR401-3D SGP LAMINATED
	09-09   REV-1



BMSHR405 RAFTER



BMSHR406 HIP