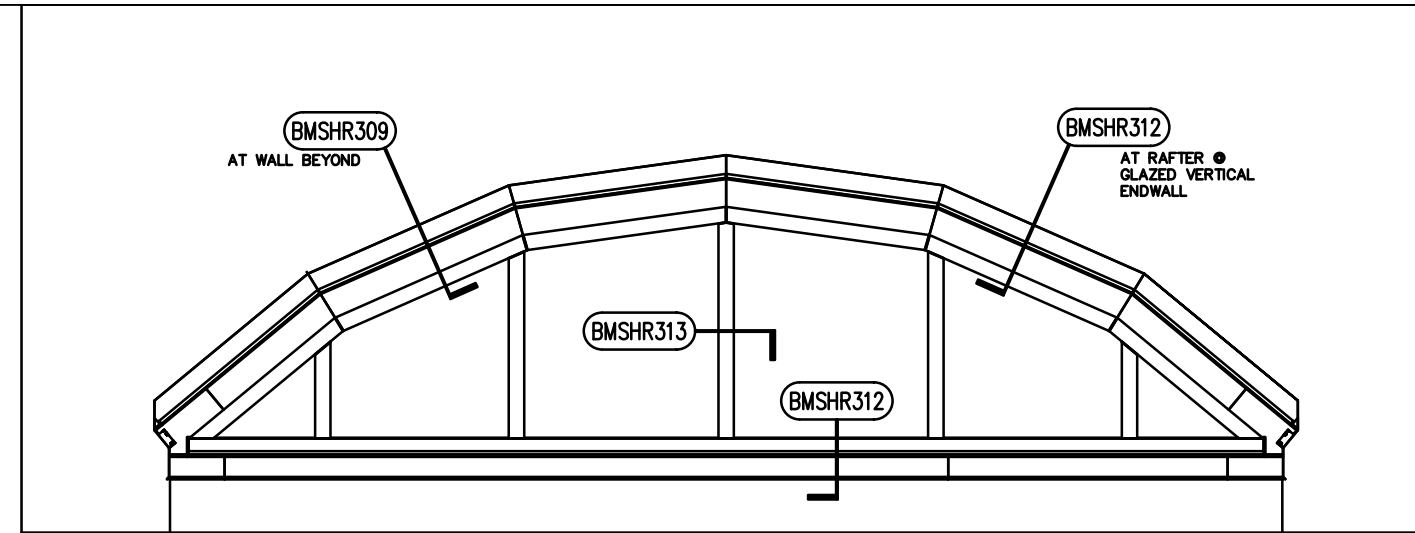


**ISOMETRIC VIEW OF
HURRICANE RESISTANT LOW RISE VAULT
WITH GLAZED VERTICAL ENDWALL**



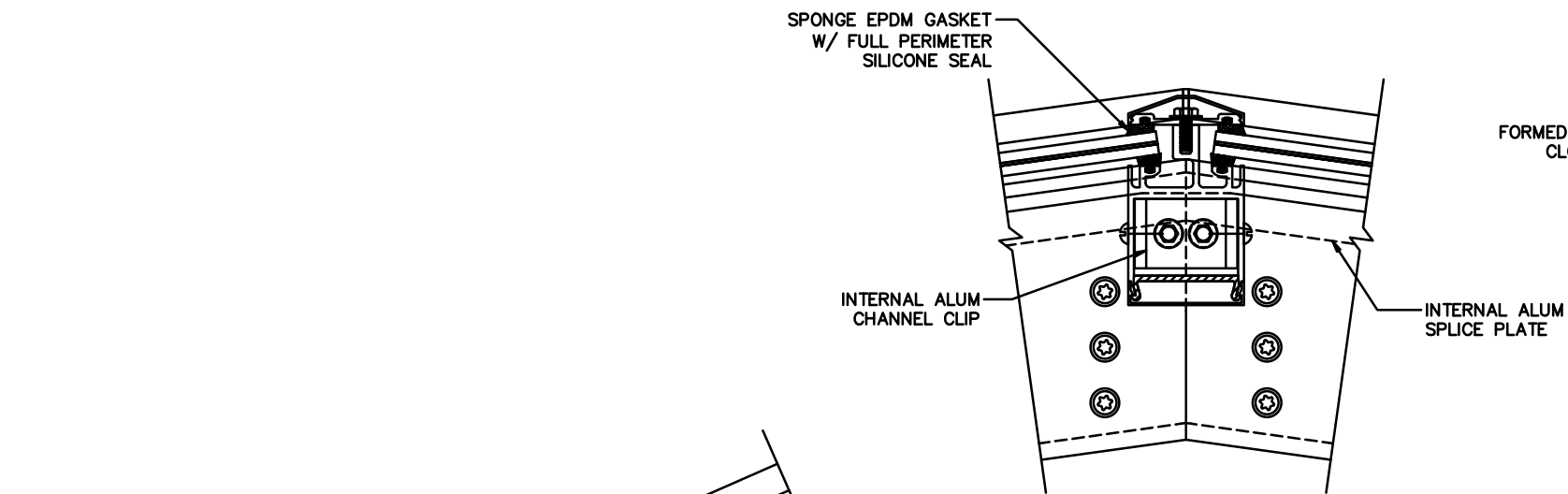
**ELEVATION OF
GLAZED VERTICAL ENDWALL
AT LOW RISE VAULT**

BMS-3000 SMALL MISSILE CUSTOM LOW RISE SEGMENTED VAULT

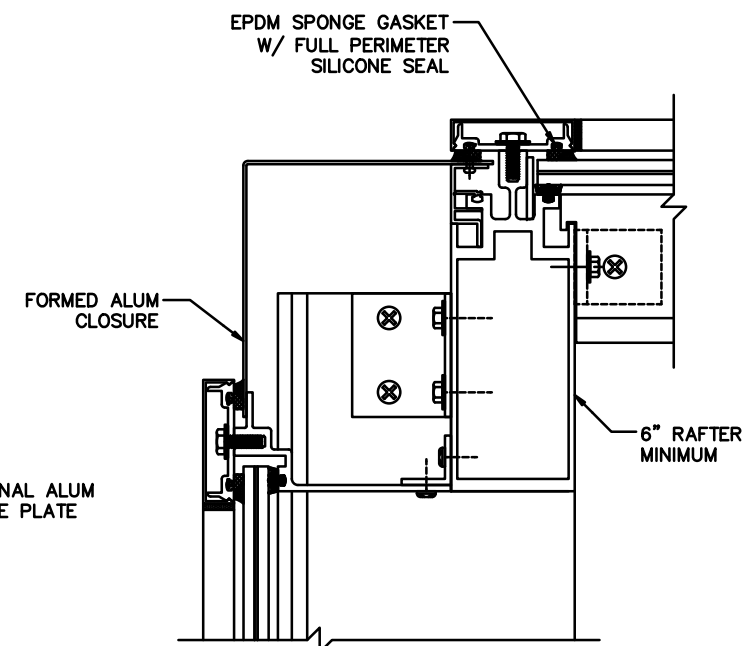


BMSHR308-2-3D
LAMINATED GLASS

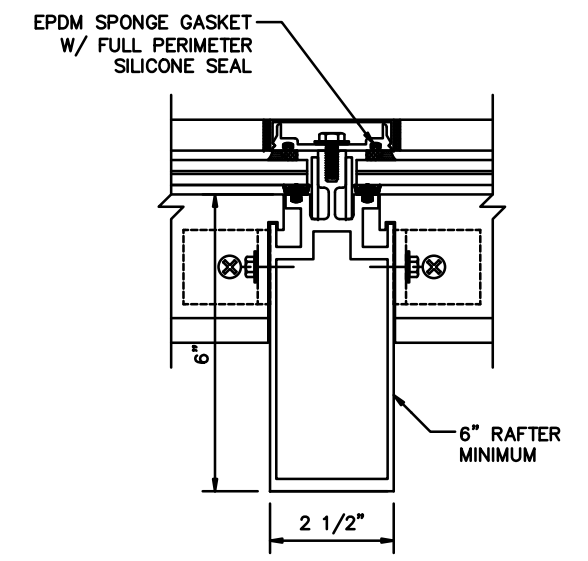
03-10 REV-1



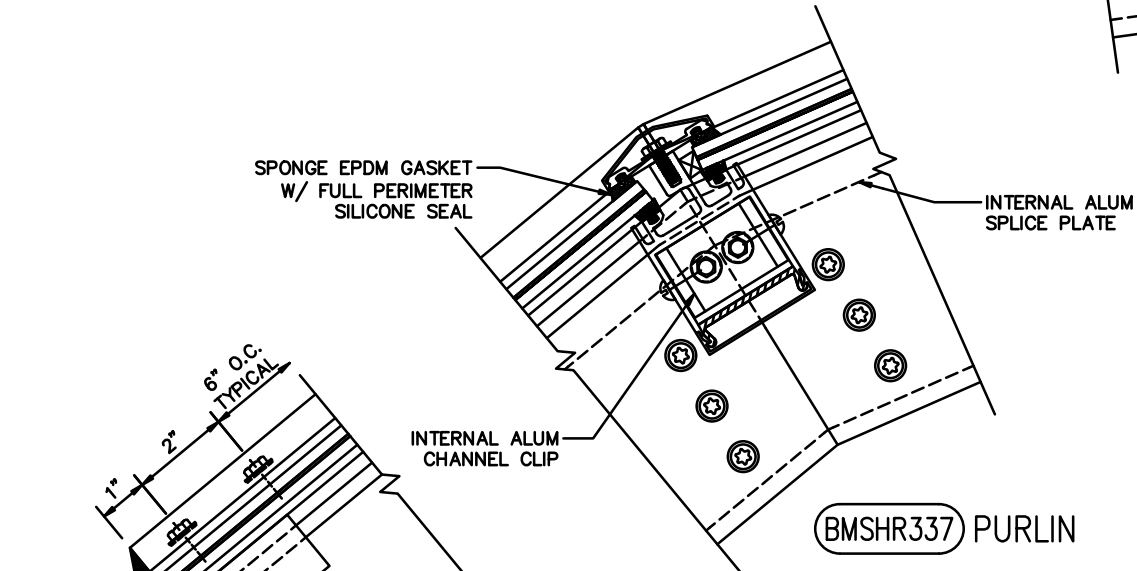
BMSHR438 PURLIN



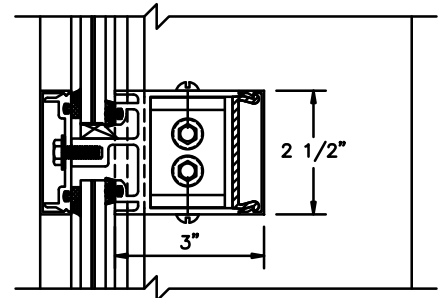
BMSHR312 END RAFTER @ GLAZED VERTICAL ENDWALL



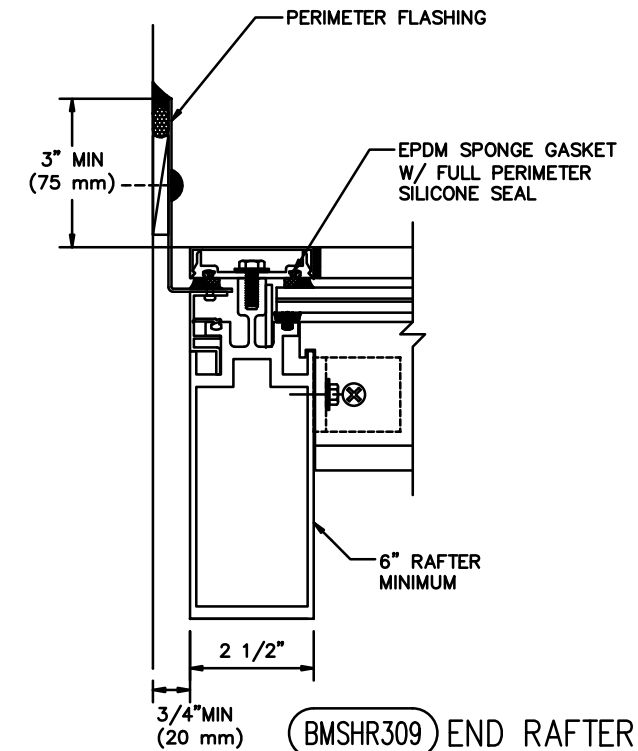
BMSHR305 RAFTER



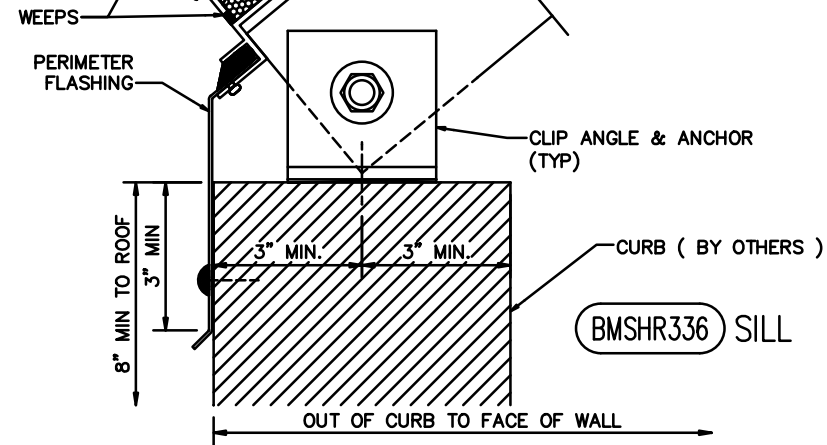
BMSHR337 PURLIN



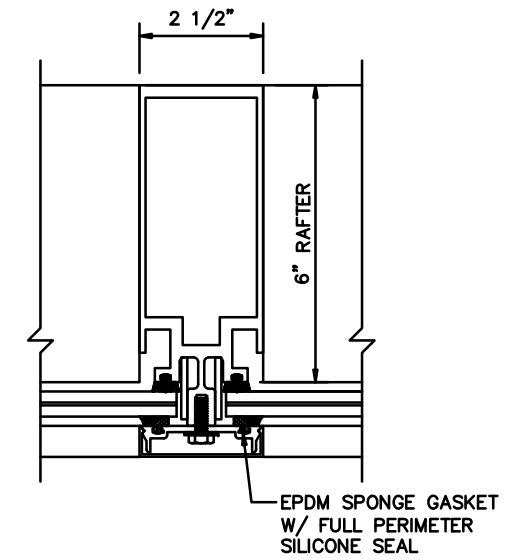
BMSHR311 PURLIN @ GLAZED VERTICAL ENDWALL



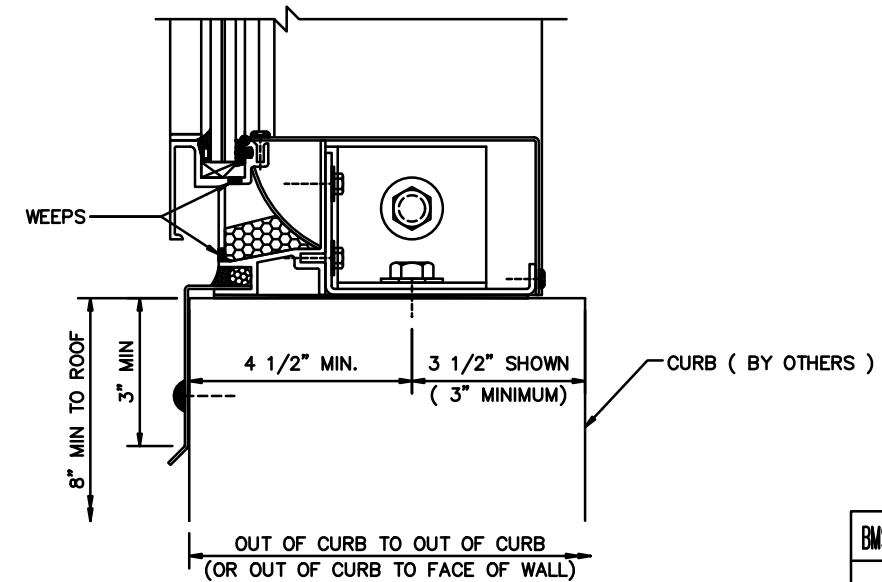
BMSHR309 END RAFTER



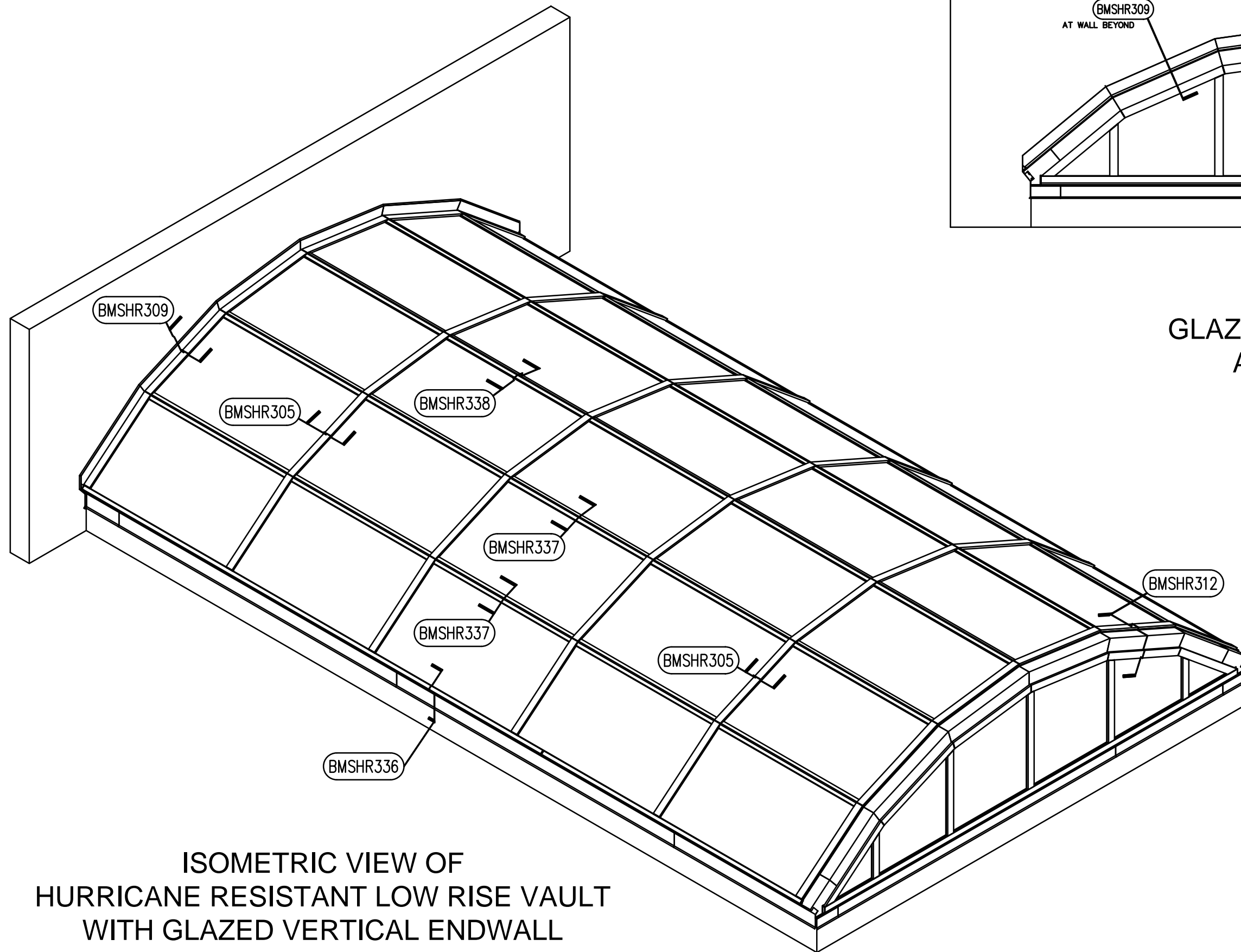
BMSHR336 SILL



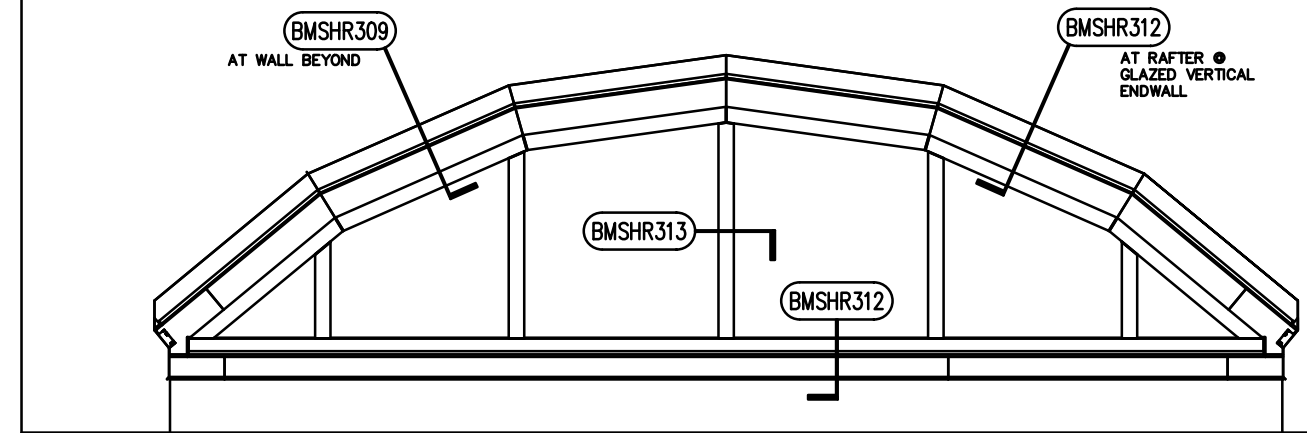
BMSHR313 VERTICAL RAFTER @ GLAZED ENDWALL



BMSHR310 SILL @ GLAZED VERTICAL ENDWALL

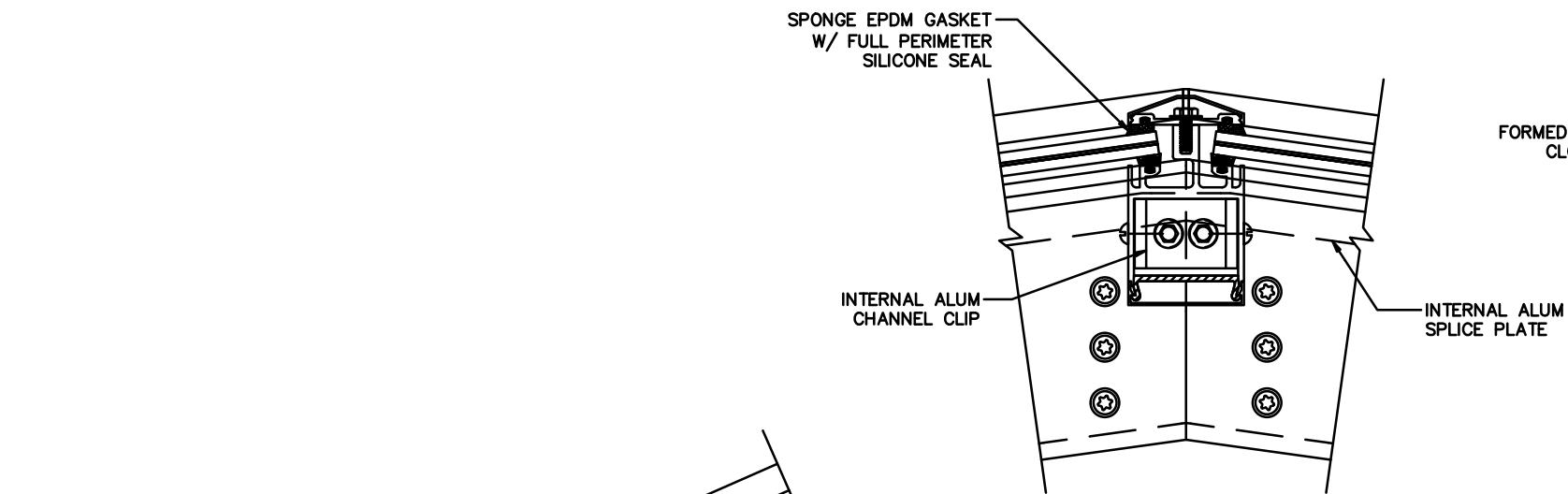


ISOMETRIC VIEW OF
HURRICANE RESISTANT LOW RISE VAULT
WITH GLAZED VERTICAL ENDWALL

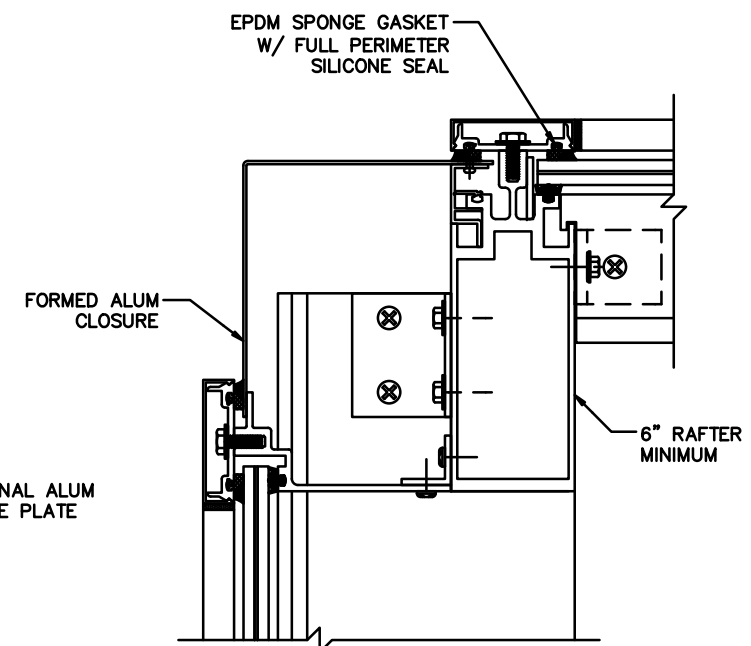


ELEVATION OF
GLAZED VERTICAL ENDWALL
AT LOW RISE VAULT

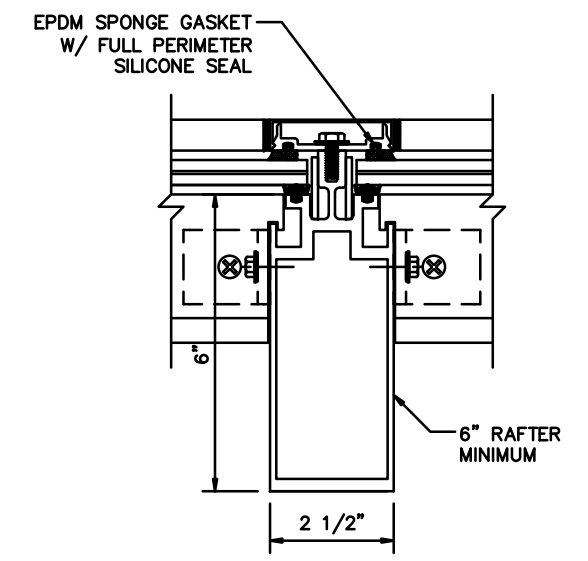
BMS3000 SMALL MISSILE CUSTOM LOW RISE SEGMENTED VAULT	
 <p>801 AIRPORT RD. TERRELL TX 75160 (972) 551-6100</p>	BMSHR308-2-3D LAMINATED GLASS
	03-10 REV-1



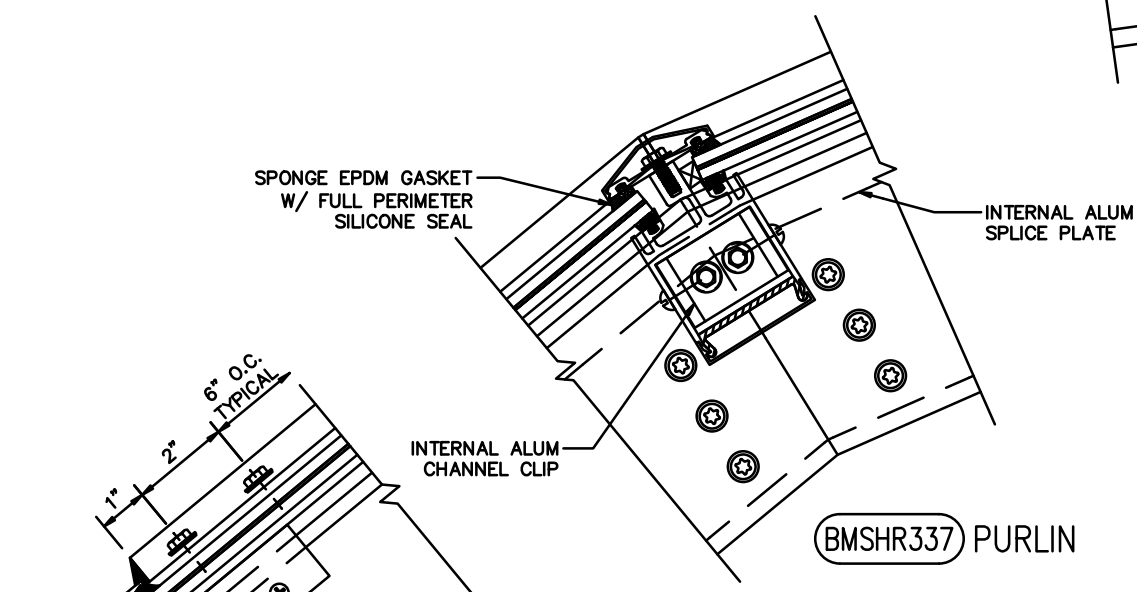
BMSHR438 PURLIN



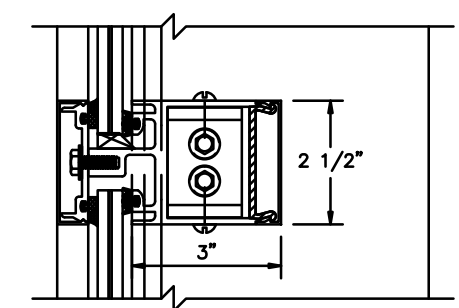
BMSHR312 END RAFTER @ GLAZED
VERTICAL ENDWALL



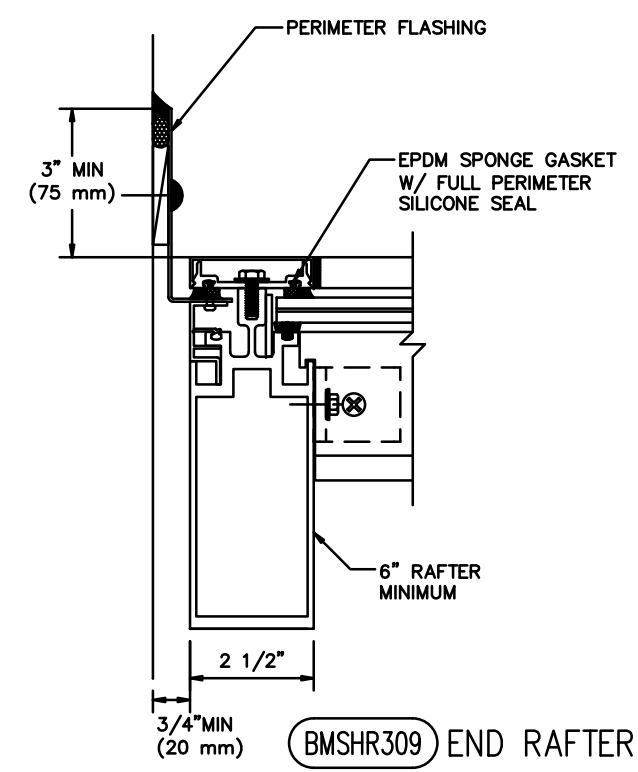
BMSHR305 RAFTER



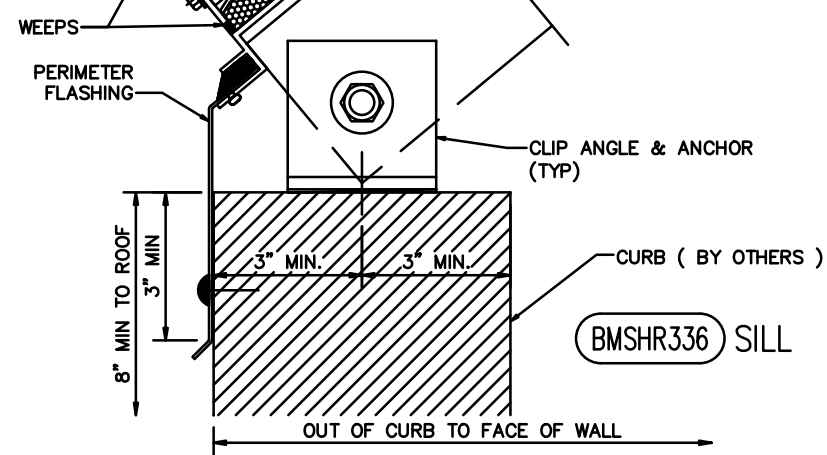
BMSHR337 PURLIN



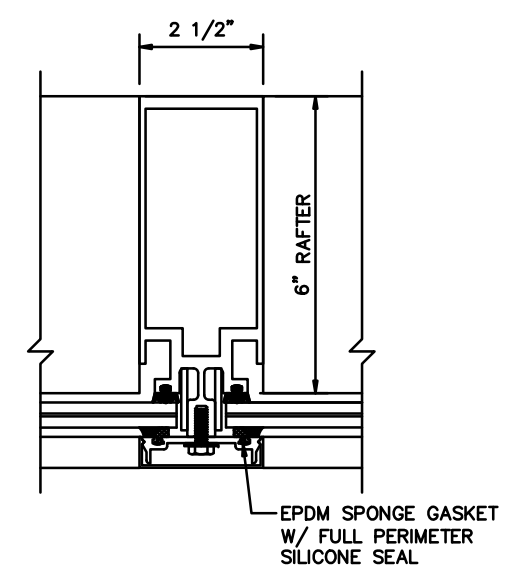
BMSHR311 PURLIN @ GLAZED
VERTICAL ENDWALL



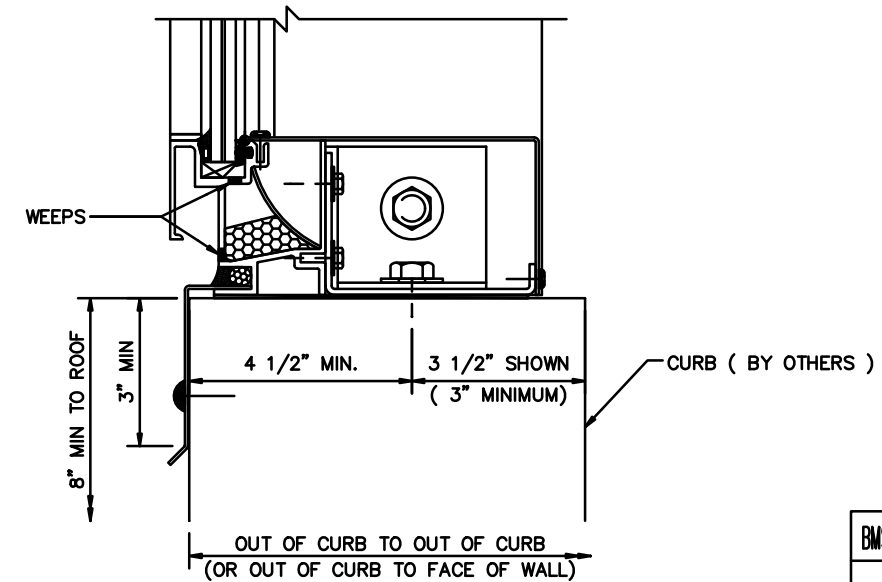
BMSHR309 END RAFTER



BMSHR336 SILL



BMSHR313 VERTICAL RAFTER @
GLAZED ENDWALL



BMSHR310 SILL @ GLAZED
VERTICAL ENDWALL

BMS-3000 SMALL MISSILE CUSTOM LOW RISE SEGMENTED VAULT W/ OR W/O GLAZED ENDWALL



BMSHR308-2-DET
LAMINATED GLASS
03-10 REV-1