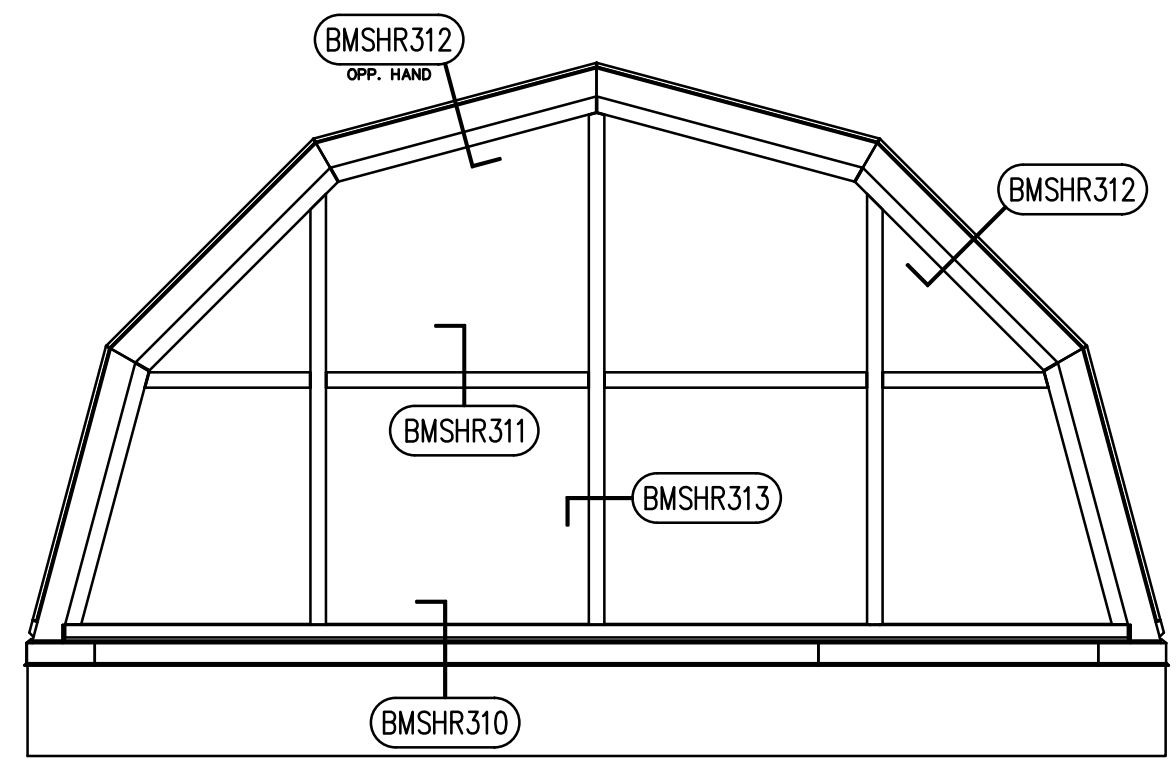


PARTIAL ISOMETRIC VIEW OF HR SMALL MISSILE FULL RISE SEGMENTED VAULT WITH ALTERNATE GLAZED VERTICAL ENDWALL  
 (SCALE : 3/4" = 1'-0")

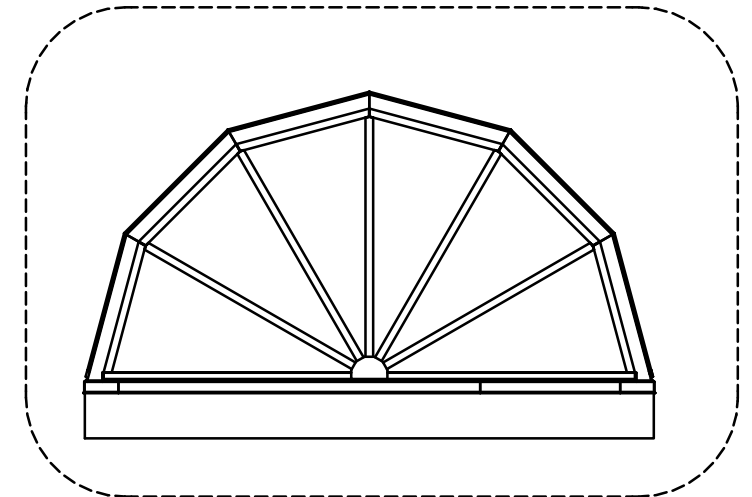
# ISOMETRIC VIEW OF HR SMALL MISSILE FULL RISE SEGMENTED VAULT WITH GLAZED VERTICAL ENDWALL

(SCALE : 1 1/2" = 1'-0")



## ELEVATION OF ENDWALL

(SCALE : 1 1/2" = 1'-0")



## ELEVATION OF ALTERNATE GLAZED VERTICAL ENDWALL

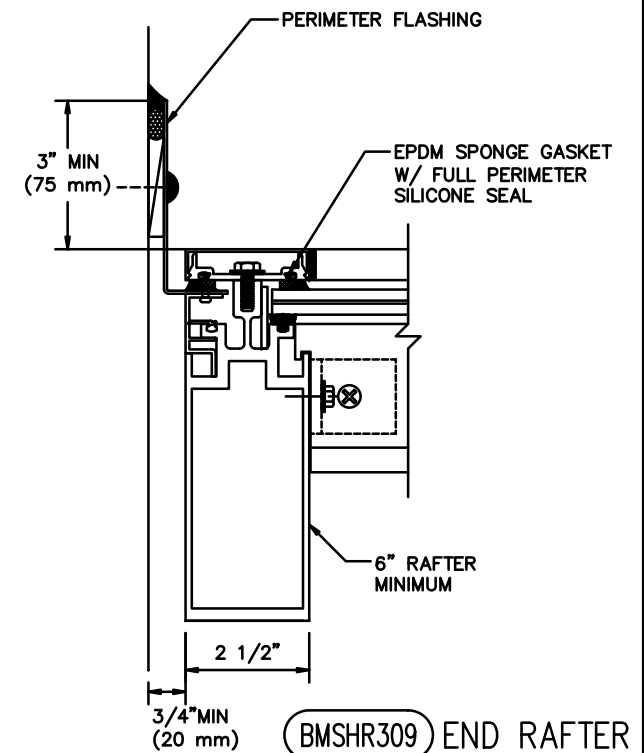
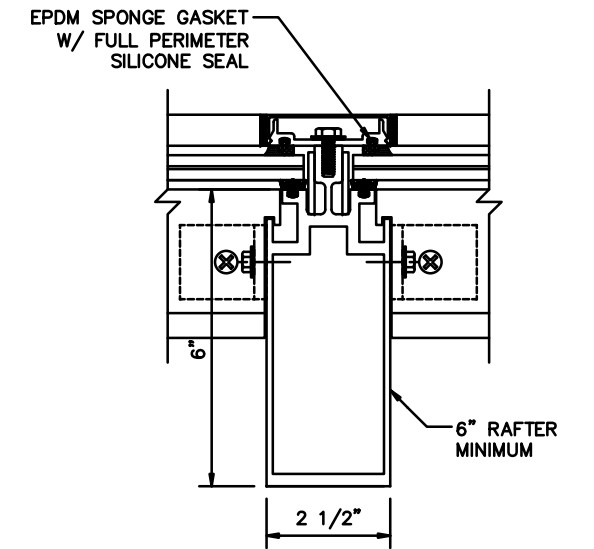
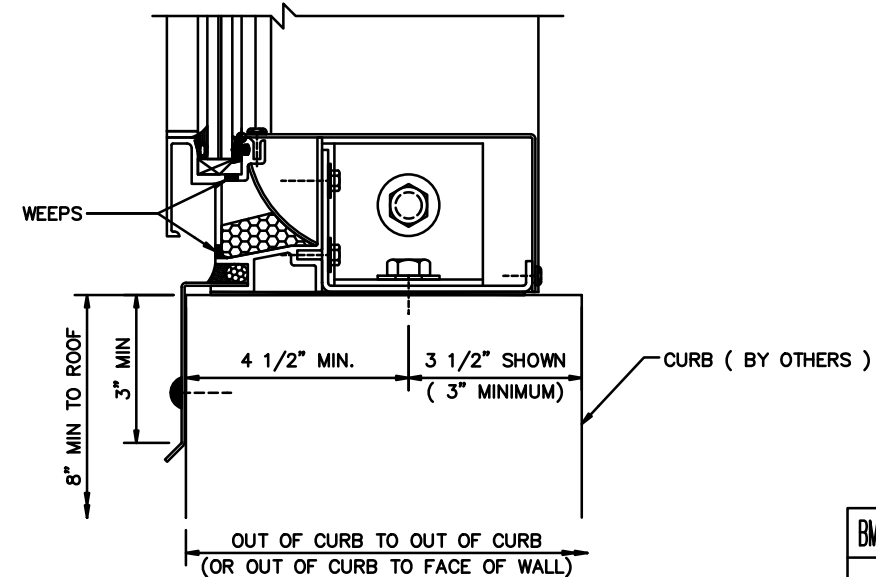
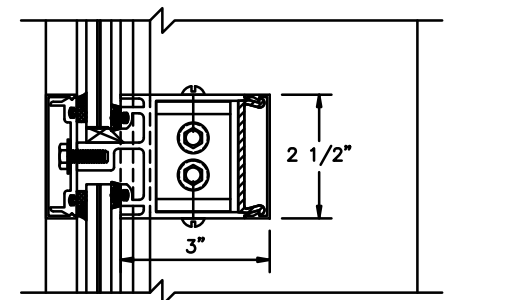
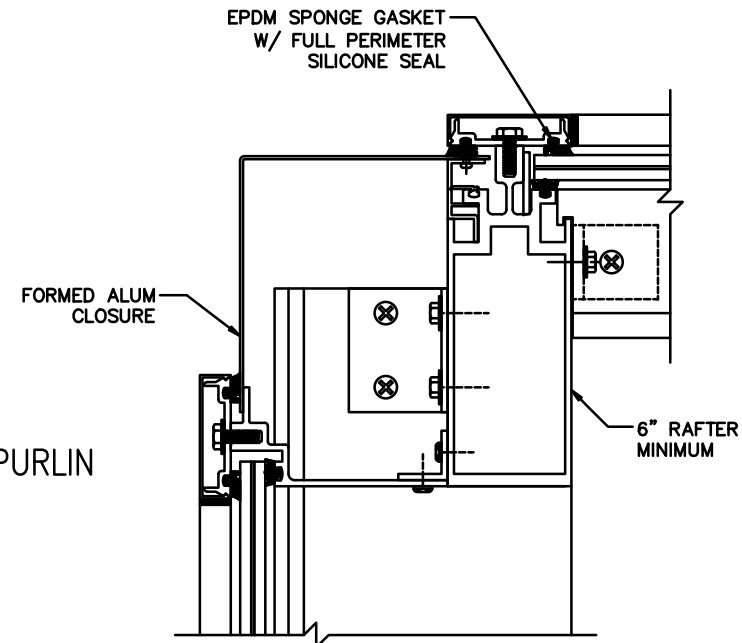
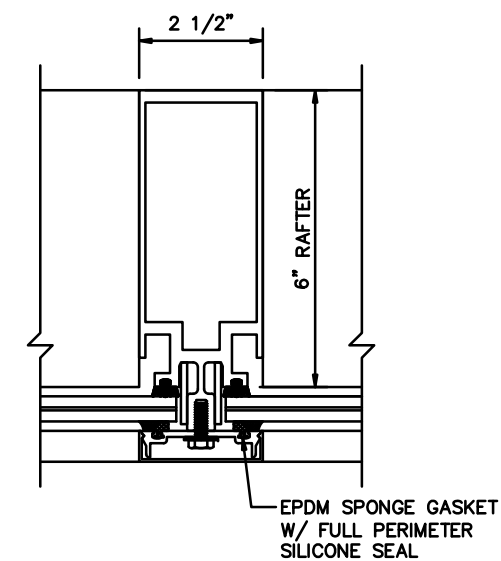
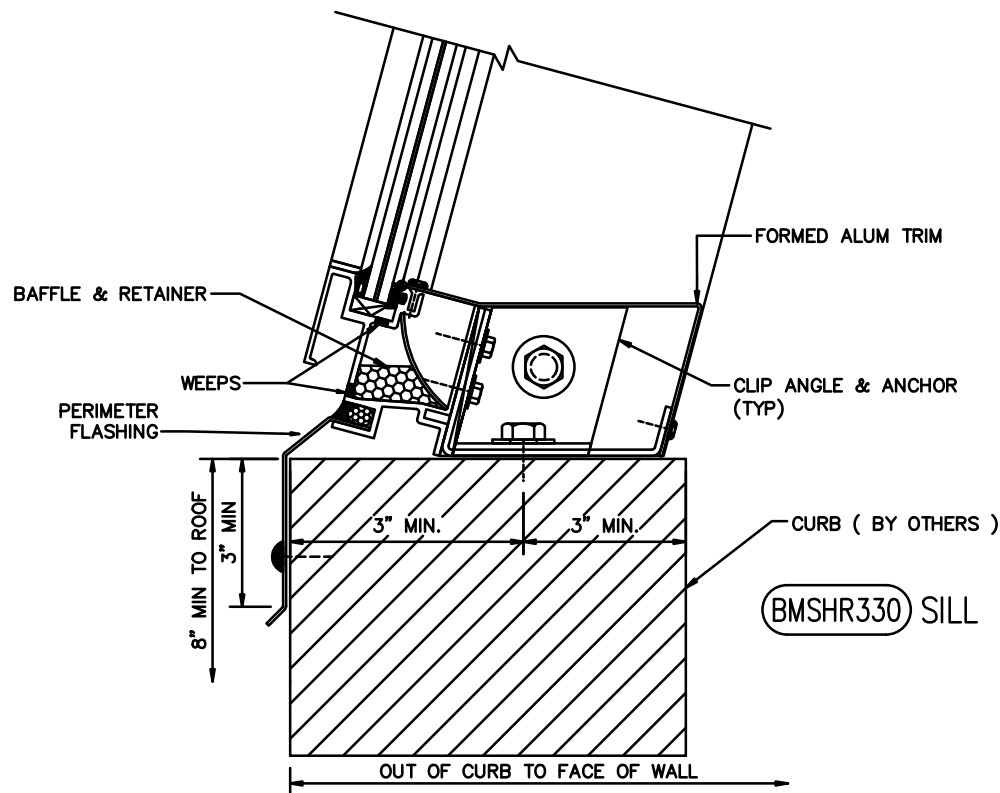
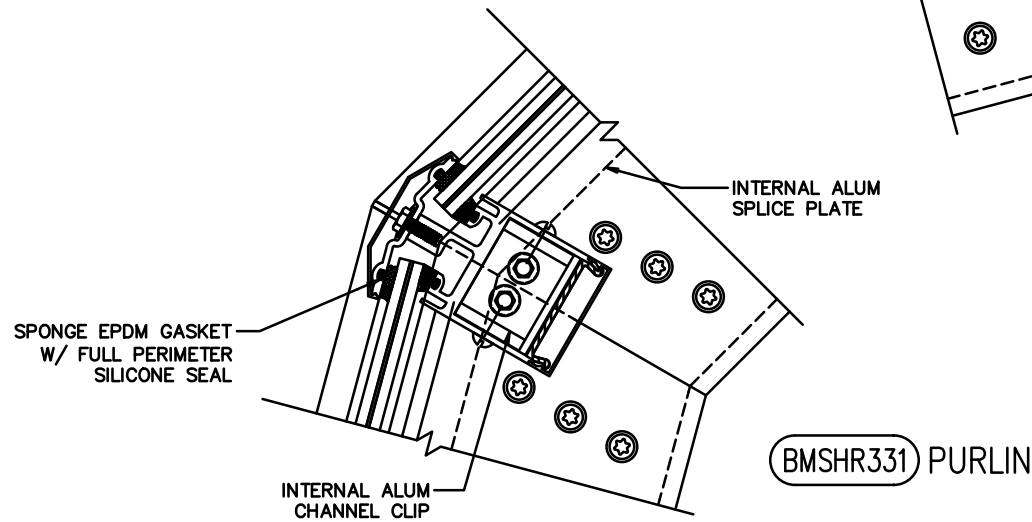
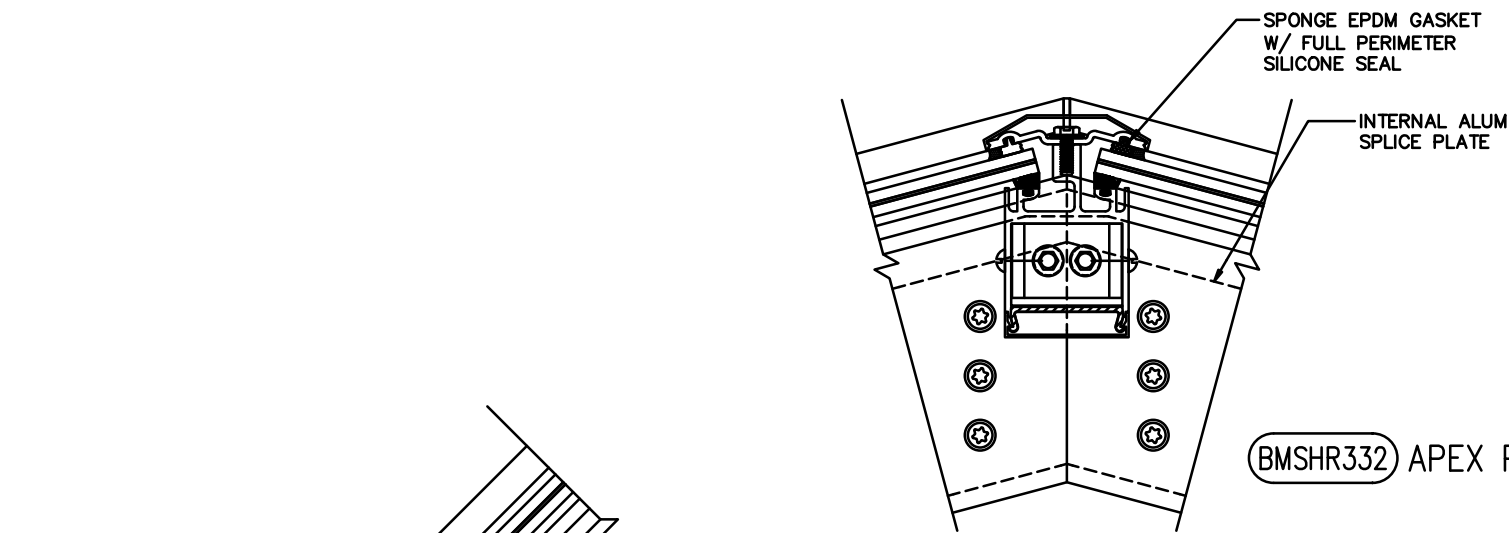
(SCALE : 3/4" = 1'-0")

BMS-3000 SMALL MISSILE CUSTOM SEGMENTED VAULT W/ or W/O GLAZED ENDWALL

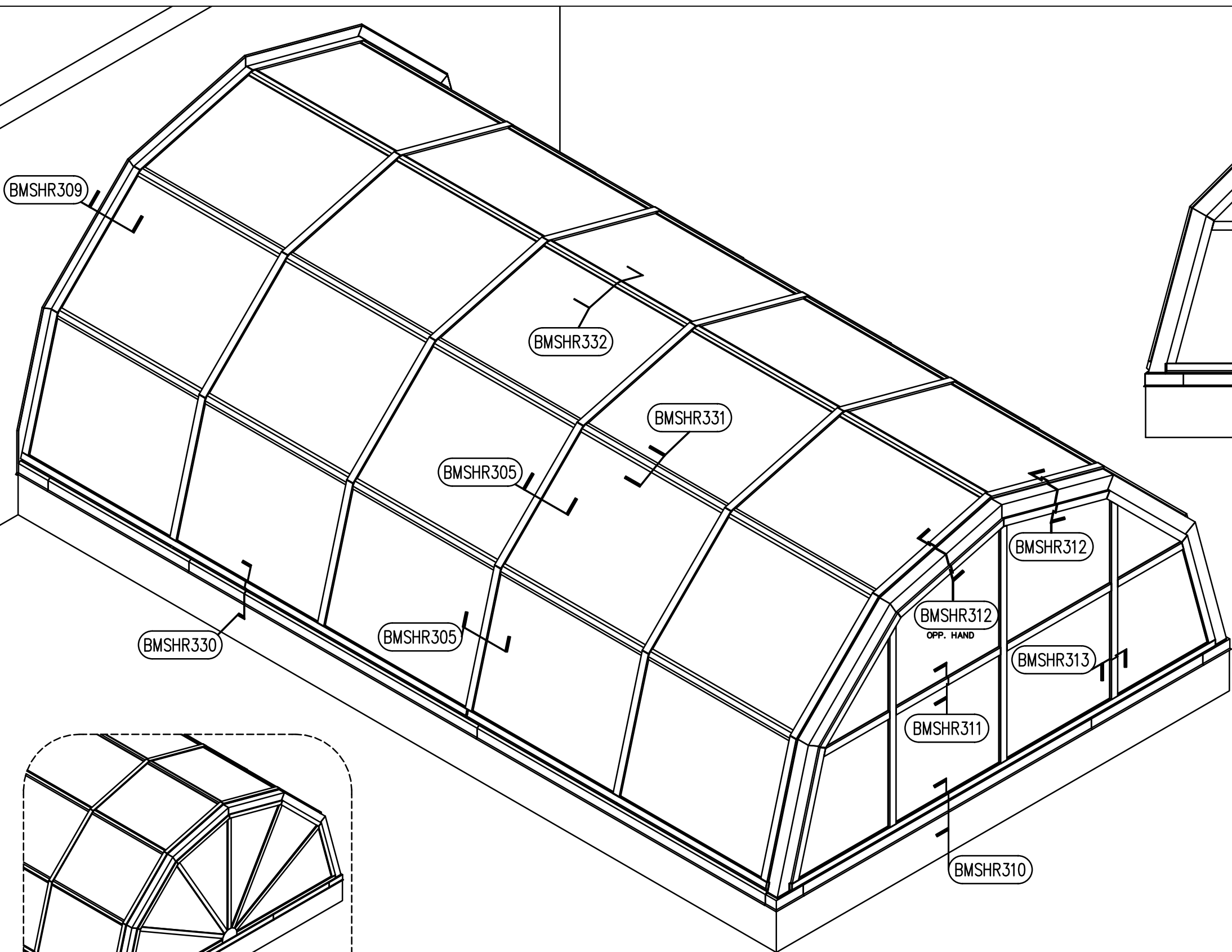


BMSHR308-1-3D LAMINATED GLASS

03-10 REV-1

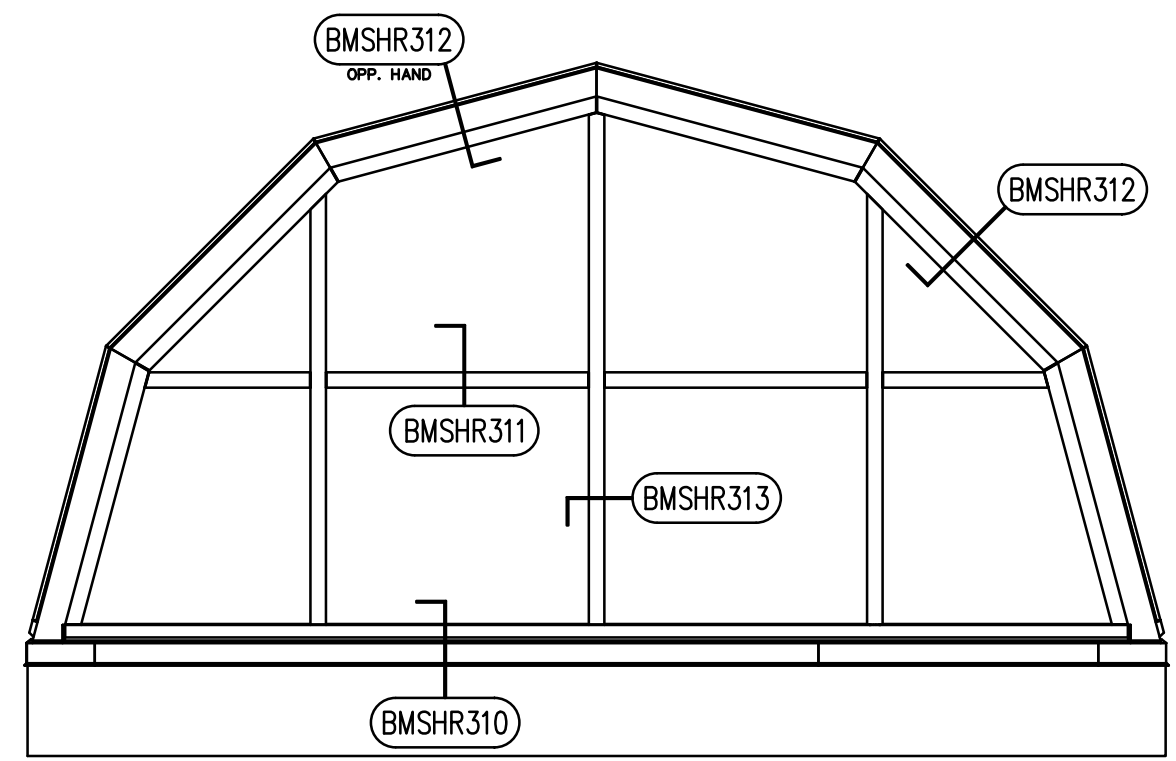


BMS-3000 SMALL MISSILE CUSTOM SEGMENTED VAULT W/ or W/O GLAZED ENDWALL



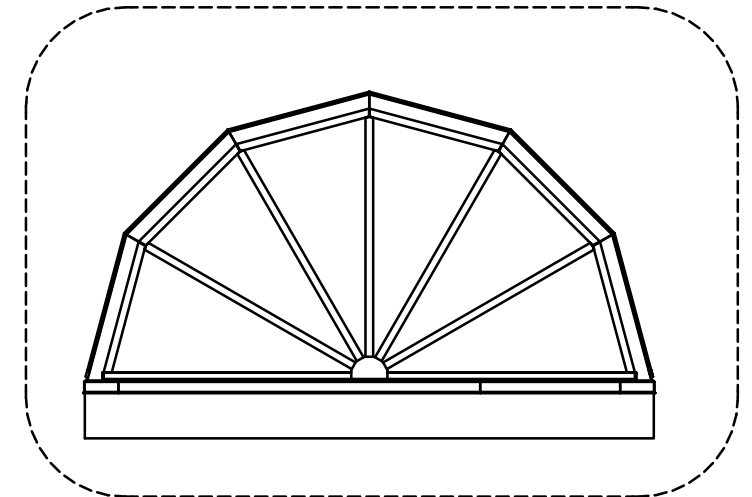
**ISOMETRIC VIEW OF HR SMALL MISSILE  
FULL RISE SEGMENTED VAULT  
WITH GLAZED VERTICAL ENDWALL**

(SCALE : 1 1/2" = 1'-0")



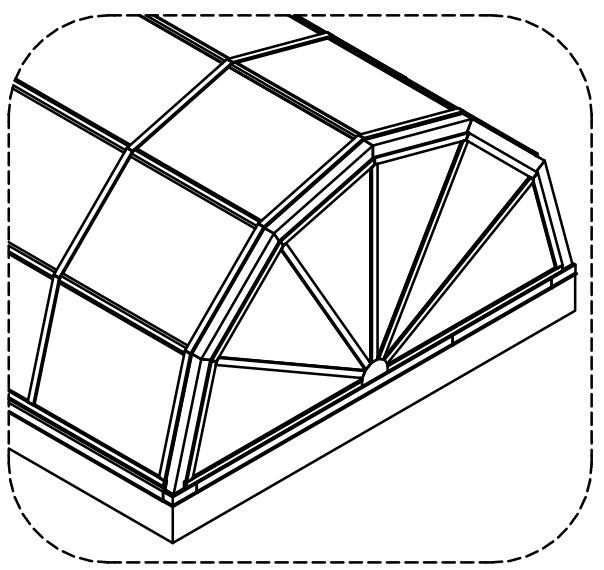
**ELEVATION OF ENDWALL**

(SCALE : 1 1/2" = 1'-0")




**ELEVATION OF ALTERNATE GLAZED  
VERTICAL ENDWALL**

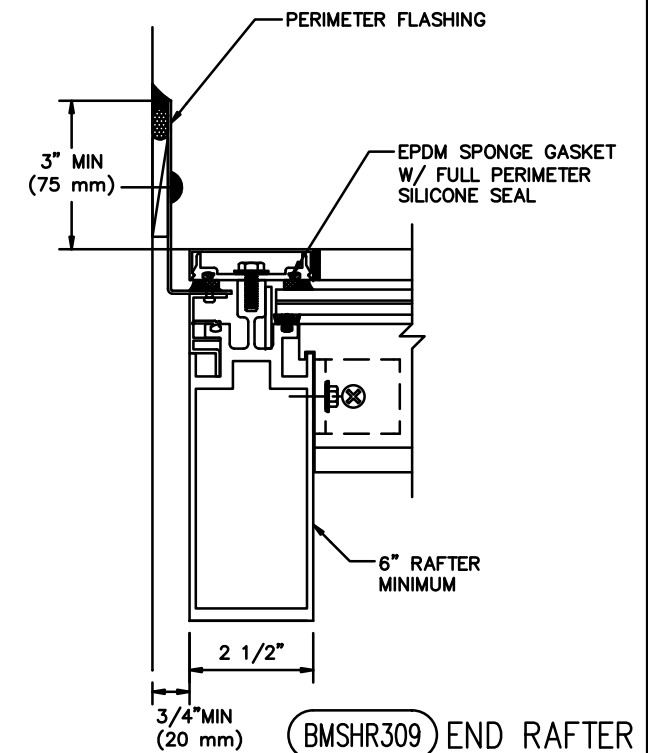
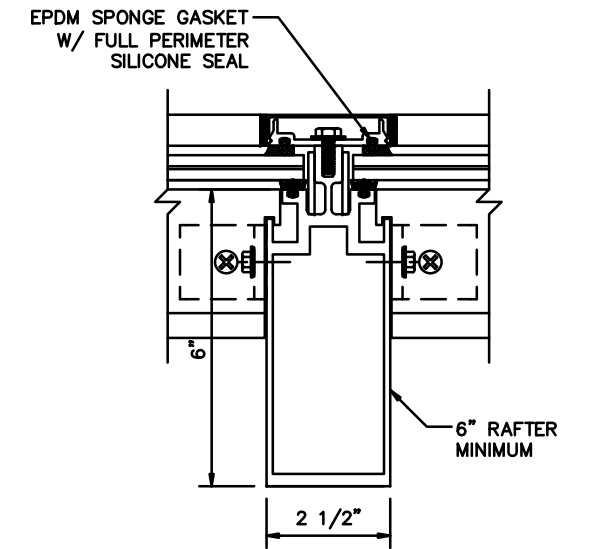
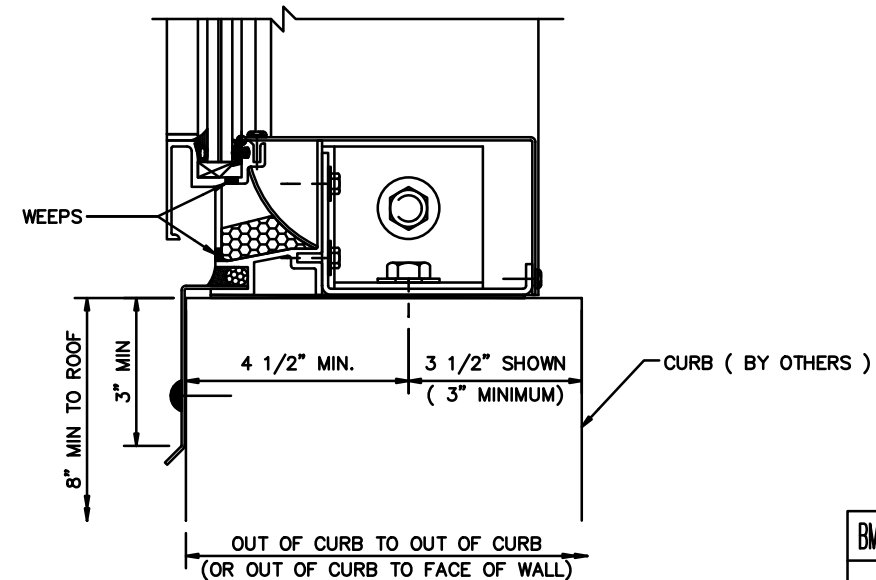
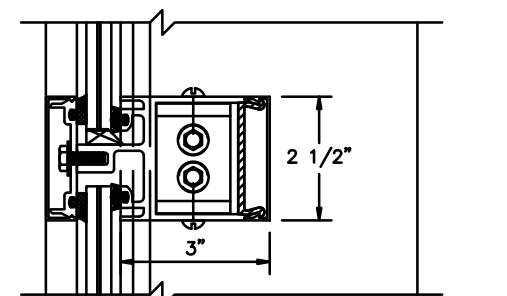
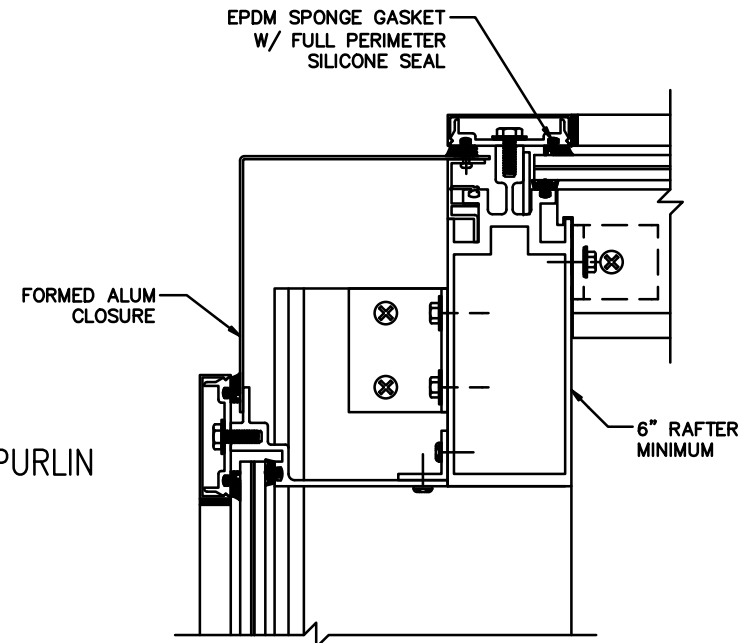
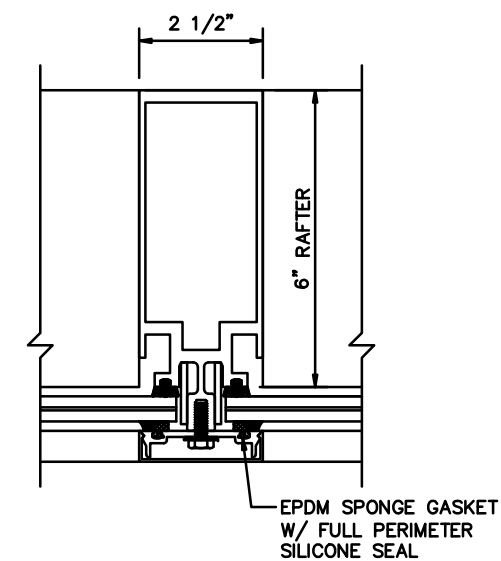
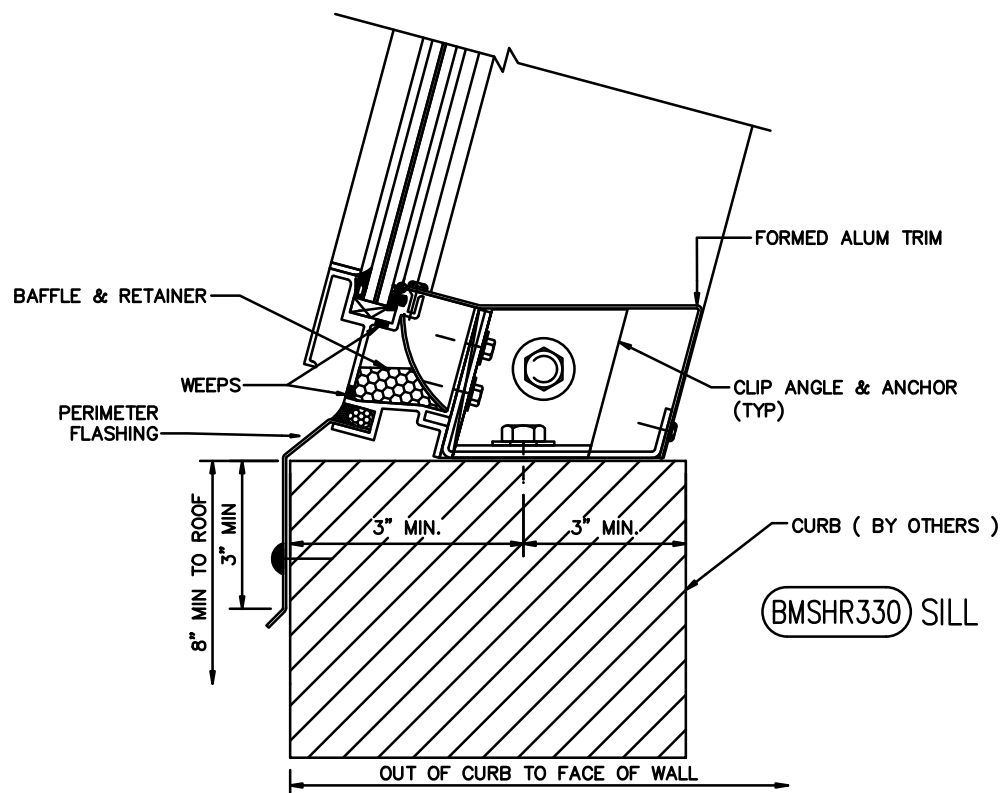
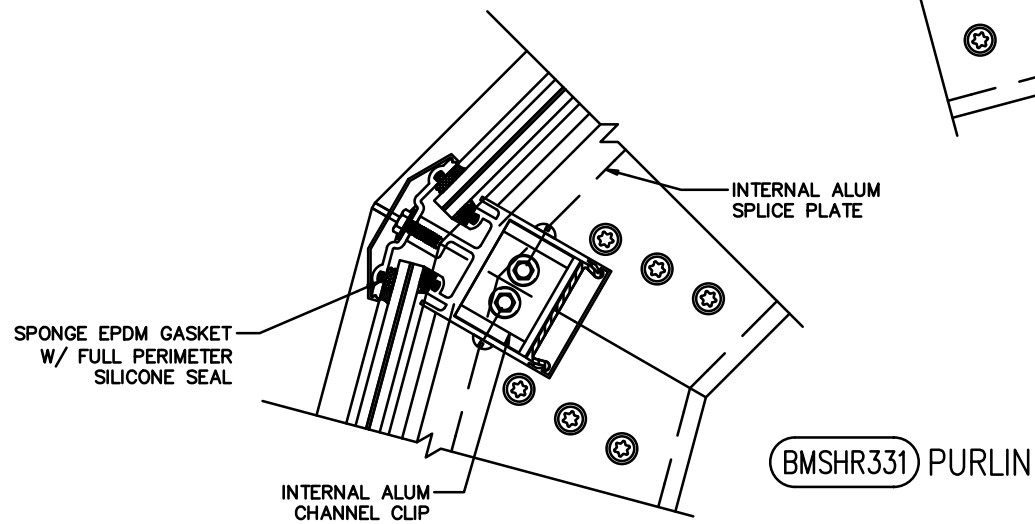
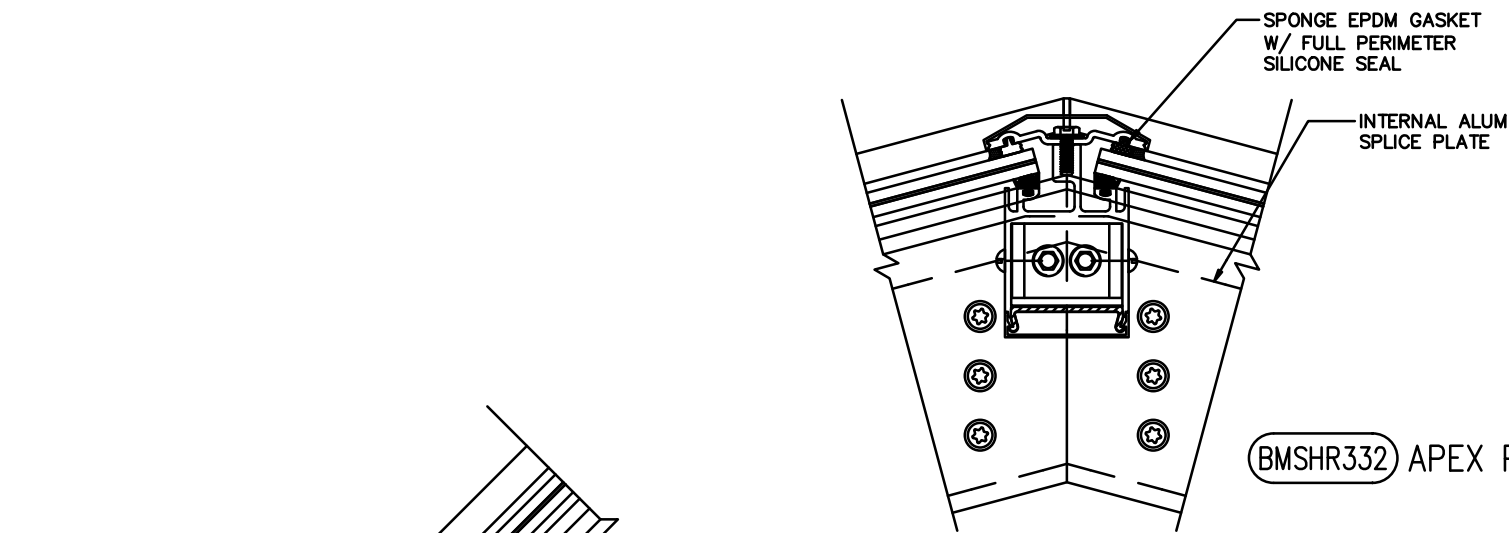
(SCALE : 3/4" = 1'-0")



**PARTIAL ISOMETRIC VIEW OF HR SMALL  
MISSILE FULL RISE SEGMENTED VAULT WITH  
ALTERNATE GLAZED VERTICAL ENDWALL**

(SCALE : 3/4" = 1'-0")

BMS3000 SMALL MISSILE CUSTOM SEGMENTED VAULT W/ or W/O GLAZED ENDWALL	
 <p>801 AIRPORT RD. TERRELL TX 75160 (972) 551-6100</p>	BMSHR308-1-3D LAMINATED GLASS
	30-10   REV-1



BMS-3000 SMALL MISSILE CUSTOM SEGMENTED VAULT W/ or W/O GLAZED ENDWALL

**Oldcastle BuildingEnvelope**  
801 AIRPORT RD. TERRELL TX 75160  
(972) 551-6100

BMSHR308-1-DET  
LAMINATED GLASS

03-10 REV-1