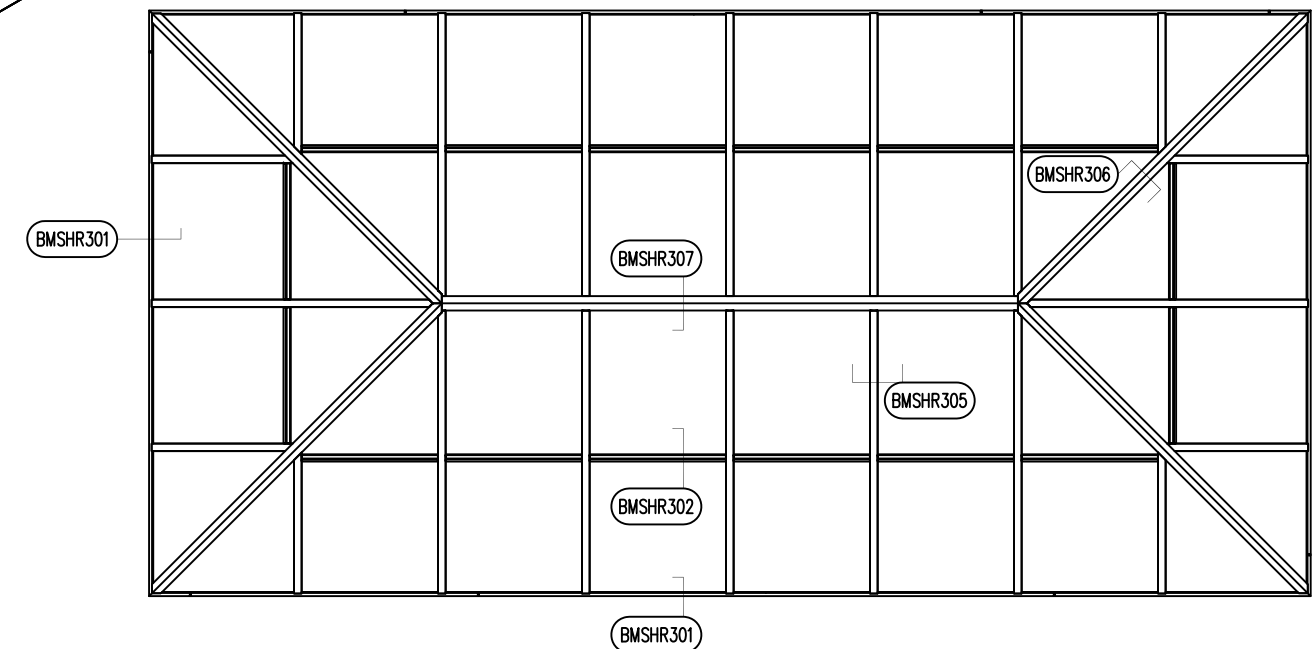
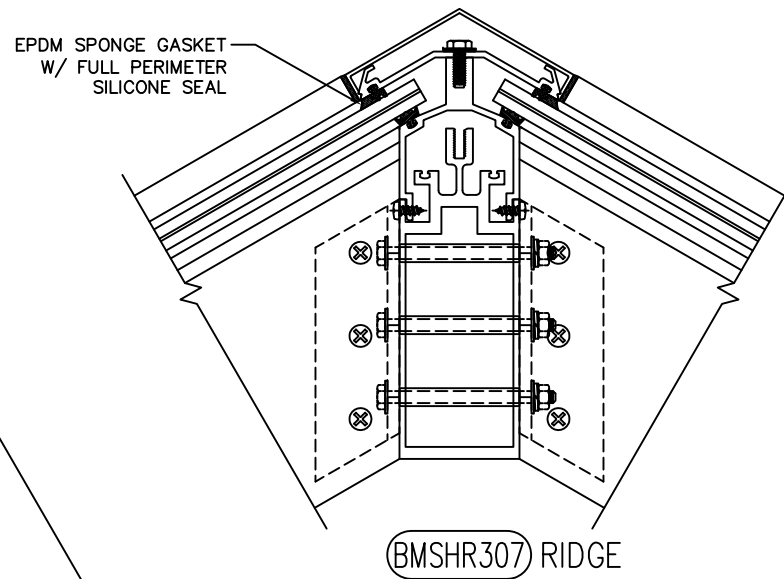
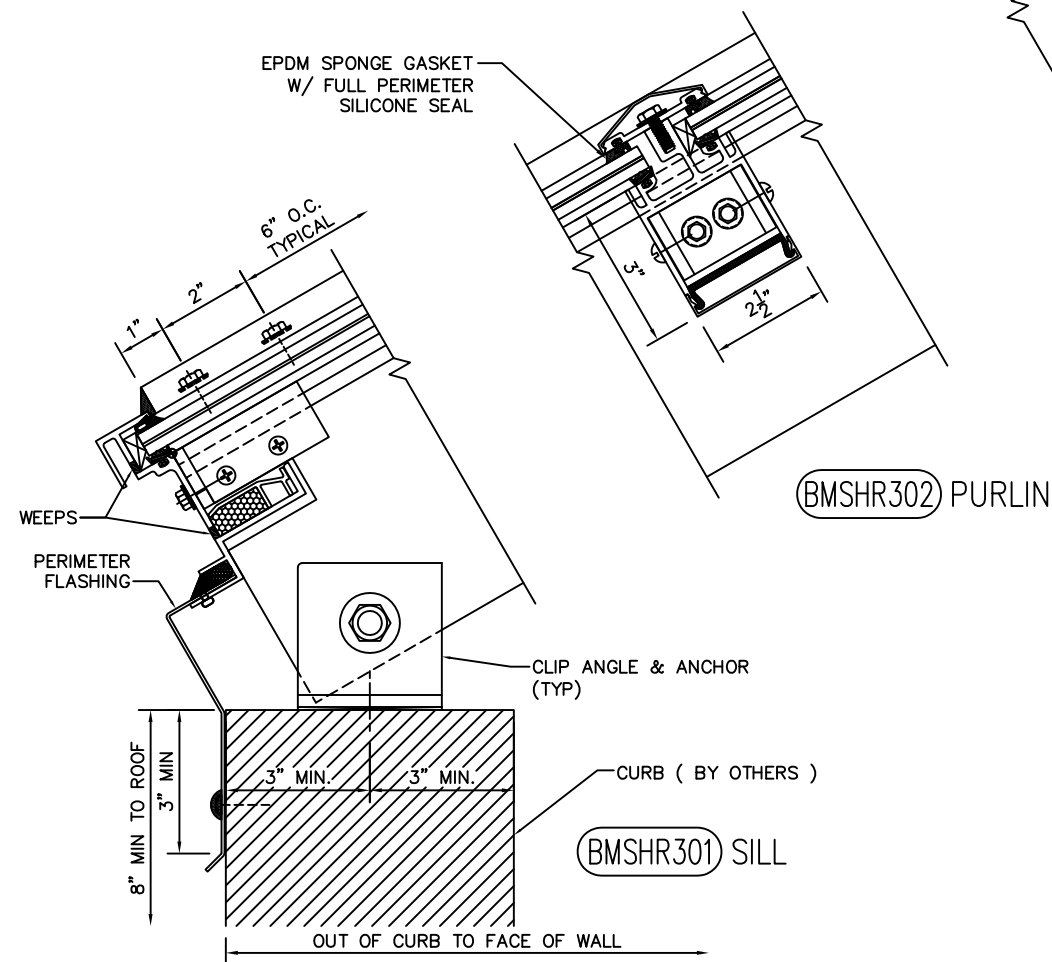


ISOMETRIC VIEW OF
HURRICANE RESISTANT
HIPPED END RIDGE

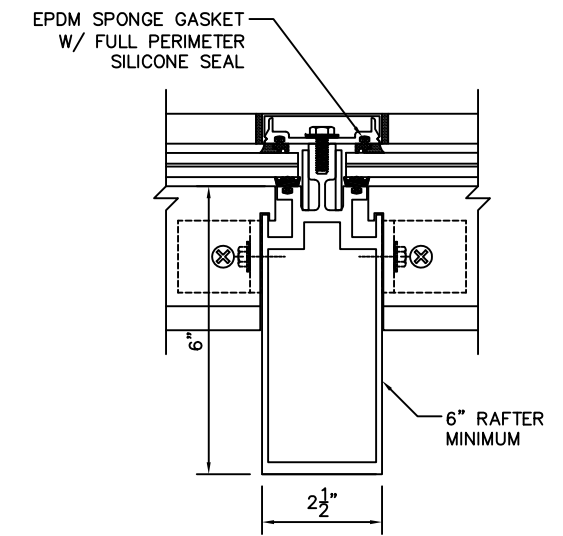


PLAN VIEW OF
HIPPED END RIDGE

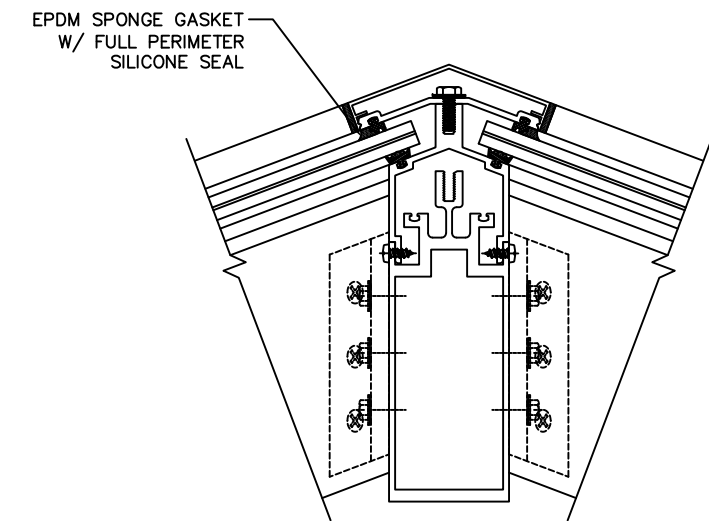
BMS-3000-HR SMALL MISSILE CUSTOM HIPPED END RIDGE - LAMINATED	
 Oldcastle BuildingEnvelope™ <small>803 AIRPORT RD. TERRELL TX 75160 (972) 551-6100</small>	BMSHR302-3D LAMINATED
	09-09 REV-1



BMSHR307 RIDGE



BMSHR305 RAFTER



BMSHR306 HIP

BMS-3000-HR SMALL MISSILE CUSTOM HIPPED END RIDGE

Oldcastle
BuildingEnvelope™
803 AIRPORT RD. TERRELL TX 75160
(972) 551-6100

BMSHR302-DET
LAMINATED

09-09 REV-1