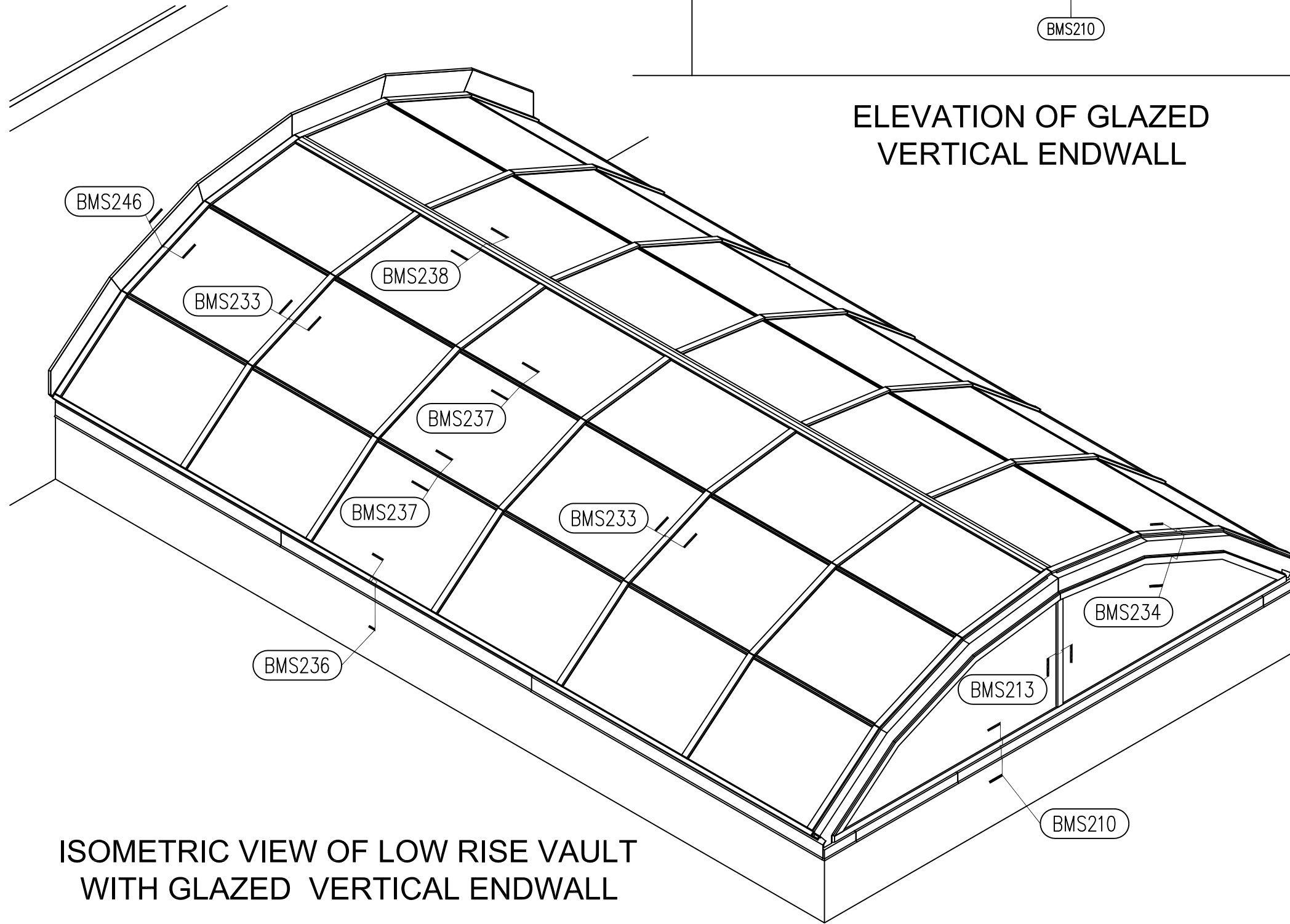
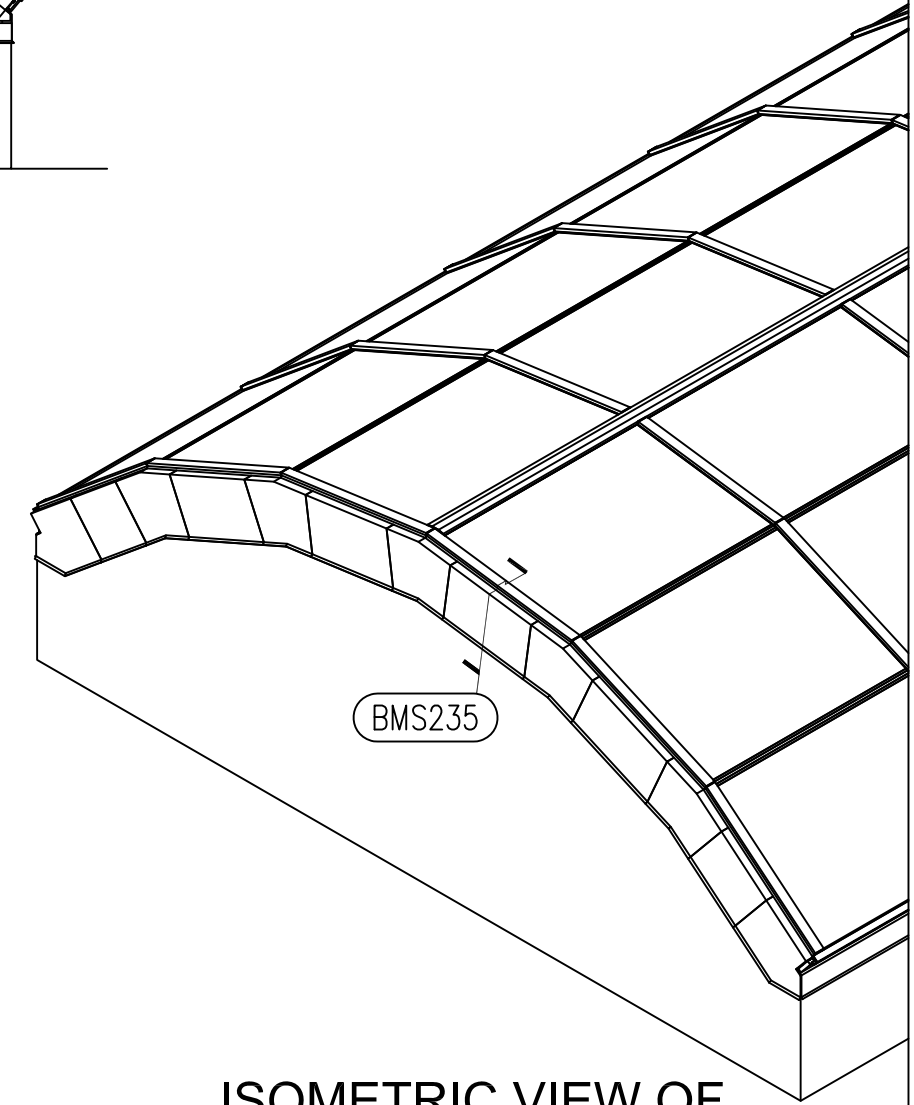


ELEVATION OF GLAZED VERTICAL ENDWALL

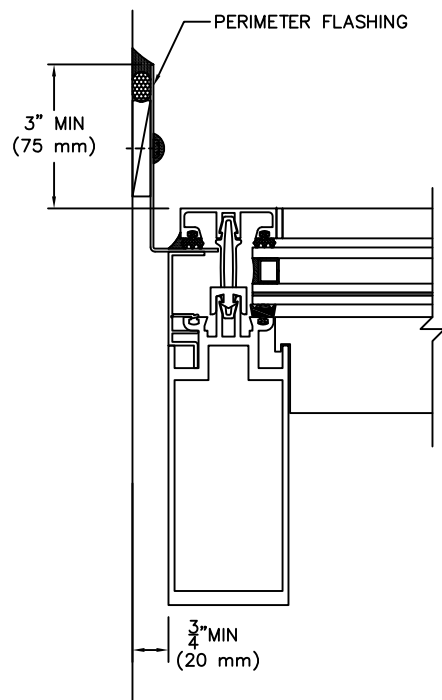


ISOMETRIC VIEW OF LOW RISE VAULT WITH GLAZED VERTICAL ENDWALL

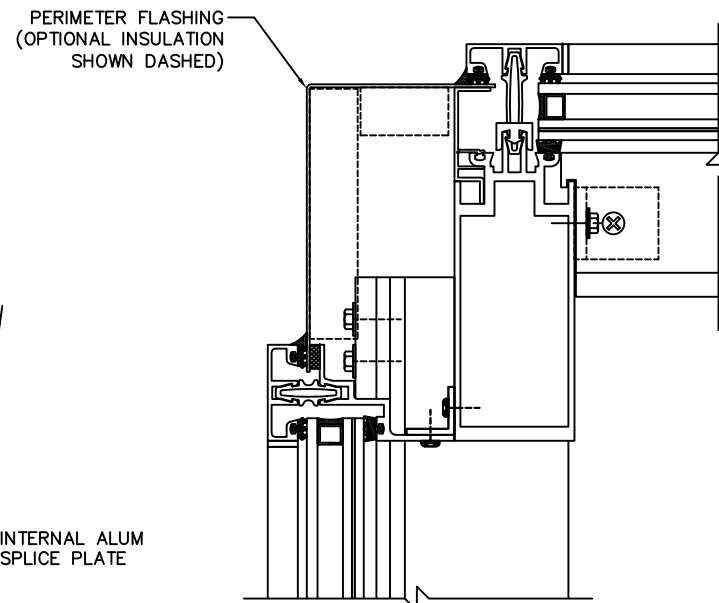


ISOMETRIC VIEW OF LOW RISE VAULT WITH PARAPET @ ENDS

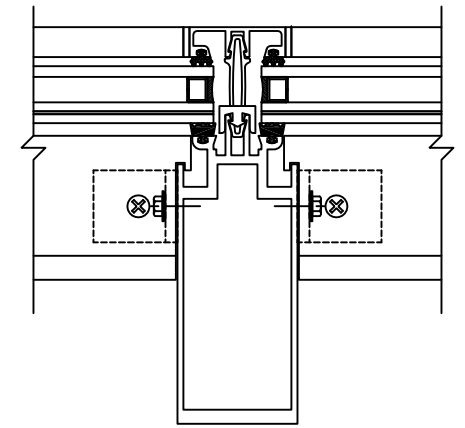
BMS-3000 CUSTOM LOW RISE VAULT- INSUL. LAMI.	
 Oldcastle BuildingEnvelope™ <small>803 AIRPORT RD. TERRELL TX 75160 (972) 551-6100</small>	BMS208-2-3D 3-D Isometric View
	12-09 REV-1



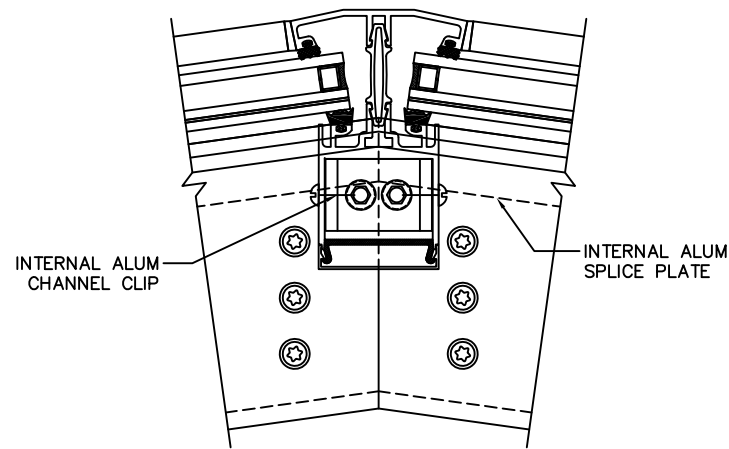
BMS246 END RAFTER @ WALL



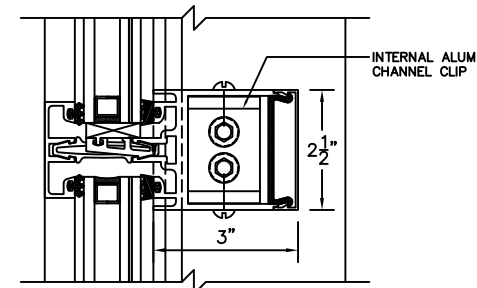
BMS234 END RAFTER @ GLAZED VERTICAL ENDWALL



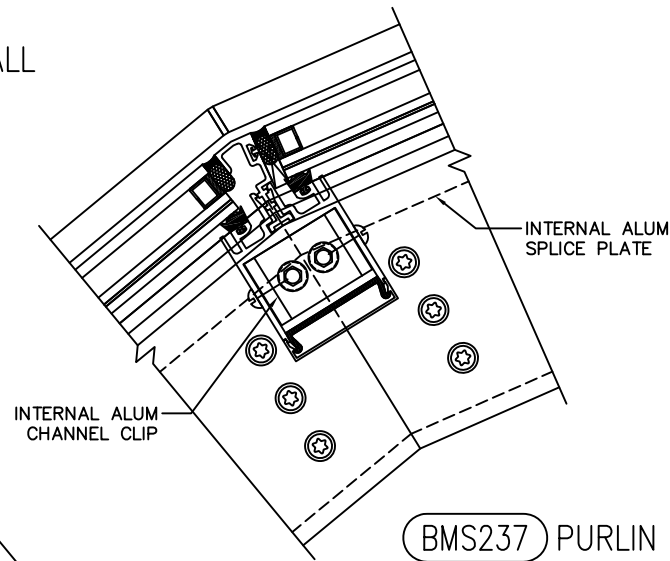
BMS233 RAFTER



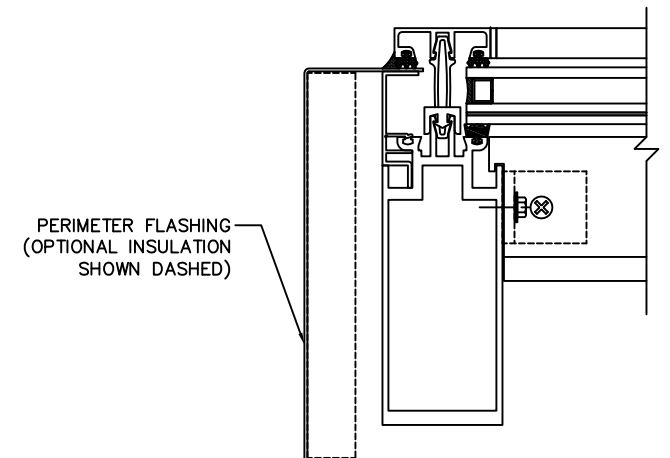
BMS238 PURLIN



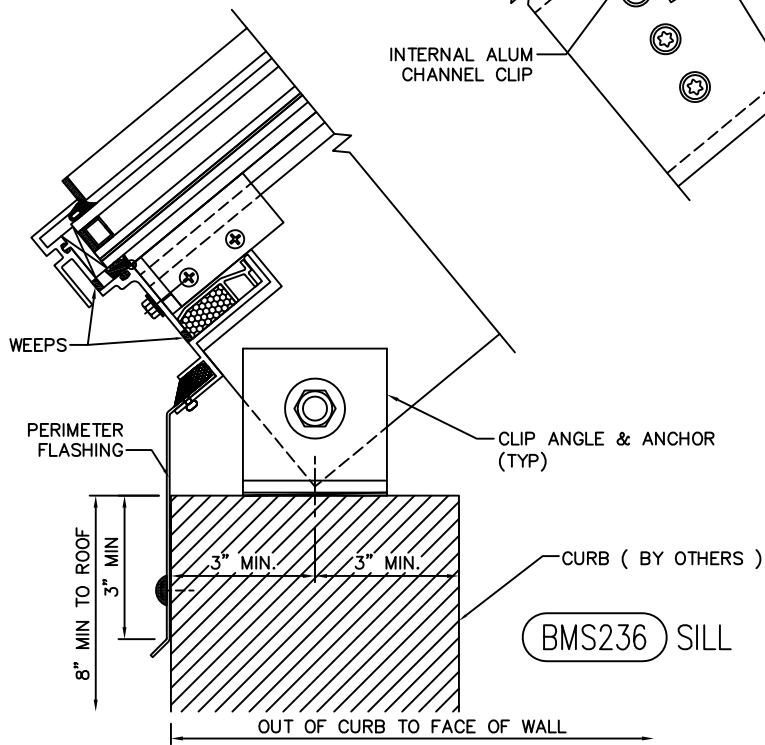
BMS211 PURLIN @ GLAZED VERTICAL ENDWALL



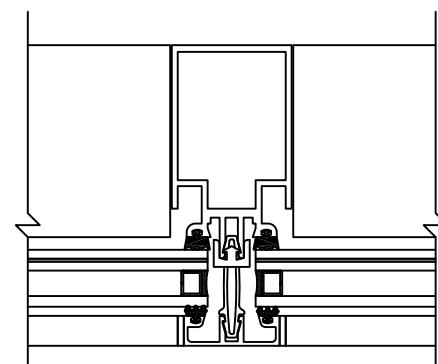
BMS237 PURLIN



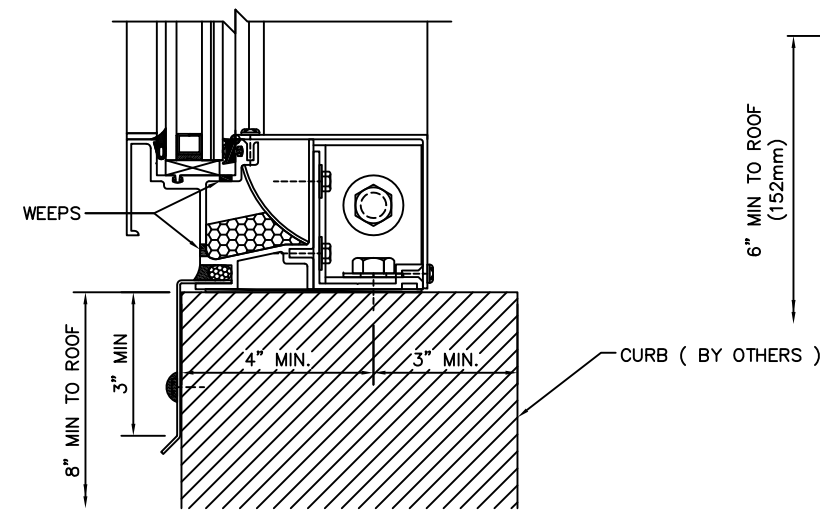
BMS235 END RAFTER @ ROOF CURB OR PARAPET WALL



BMS236 SILL



BMS213 VERTICAL RAFTER @ GLAZED ENDWALL



BMS210 SILL @ GLAZED VERTICAL ENDWALL