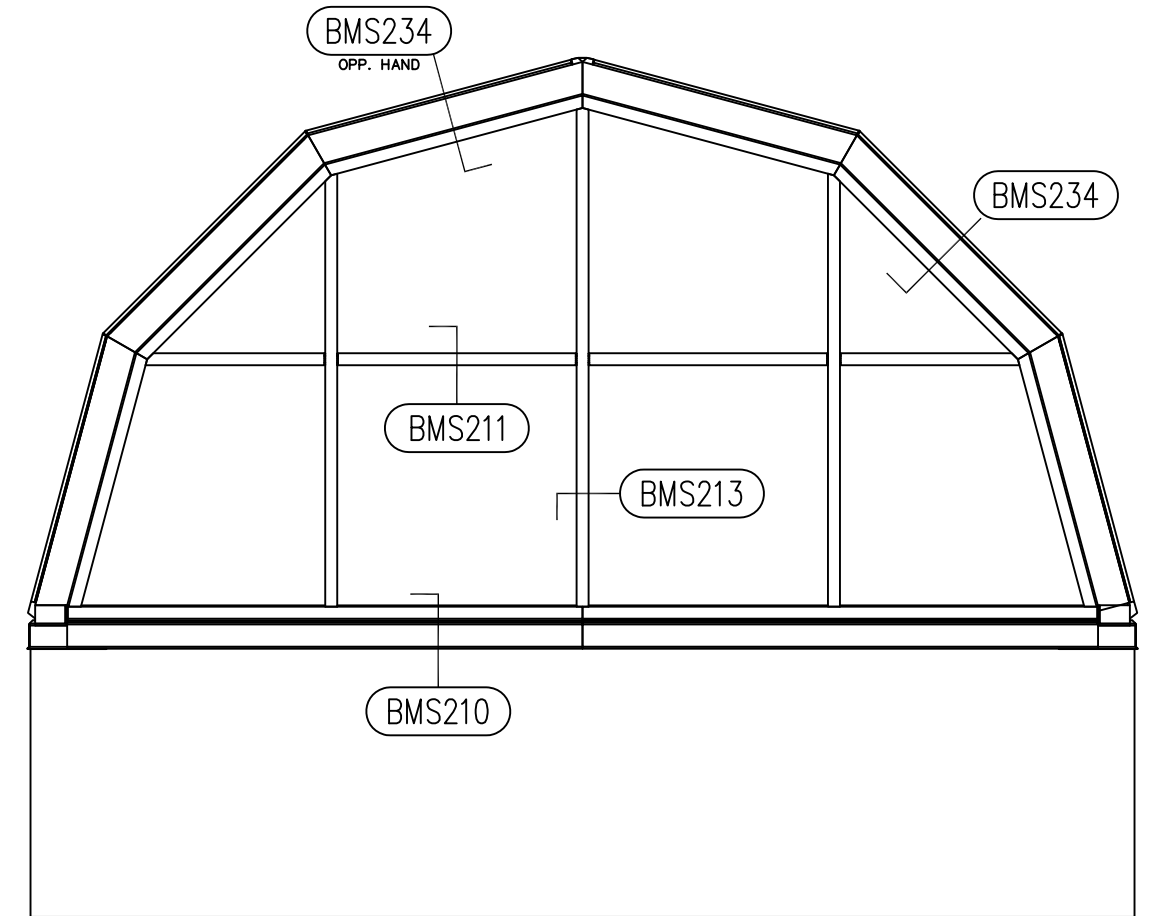
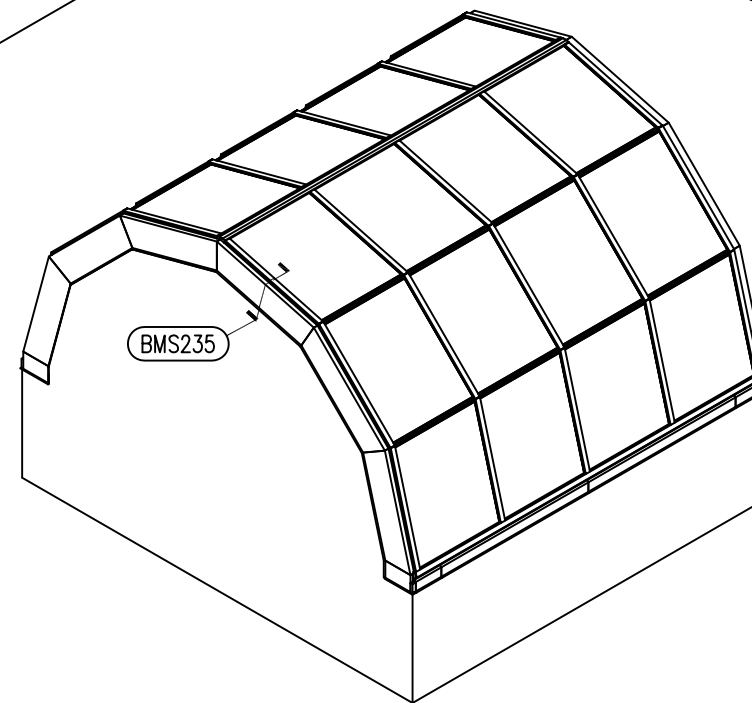



**ISOMETRIC VIEW OF  
FULL RISE VAULT  
WITH GLAZED  
VERTICAL ENDWALL**



**ELEVATION OF  
GLAZED VERTICAL  
ENDWALL**

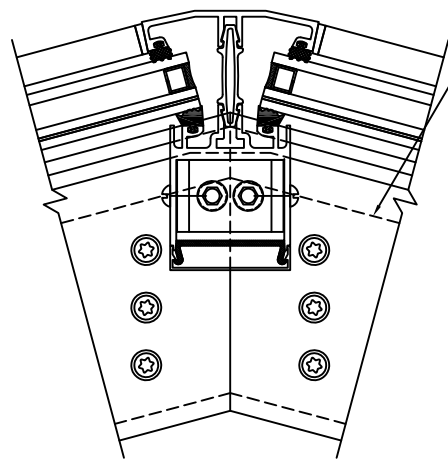


**ISOMETRIC VIEW OF FULL RISE VAULT  
AT ROOF CURB**

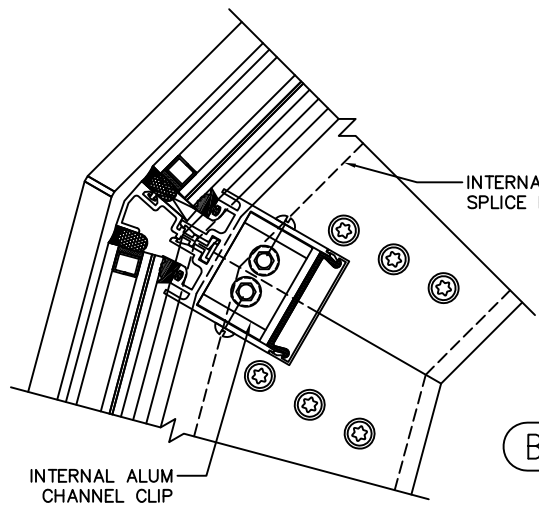
BMS-3000 CUSTOM FULL RISE VAULT W/ VERTICAL ENDWALL GLAZED	
 <b>Oldcastle</b> BuildingEnvelope™ <small>803 AIRPORT RD. TERRELL TX 75160 (972) 551-6100</small>	BMS208-1-3D 3-D Isometric View
	12-09   REV-1

PERIMETER FLASHING  
(OPTIONAL INSULATION  
SHOWN DASHED)

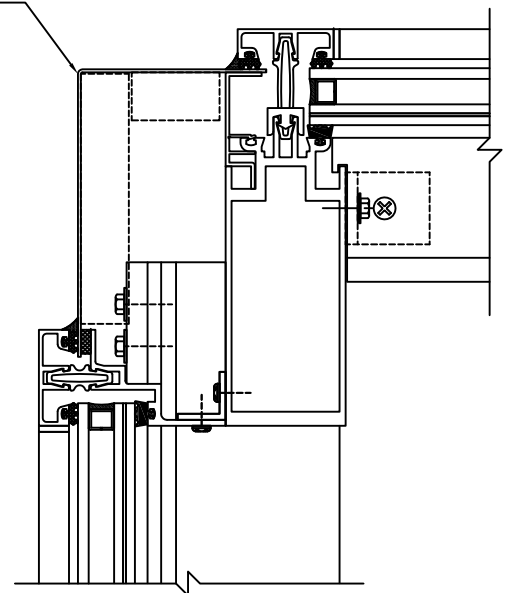
INTERNAL ALUM  
SPLICE PLATE



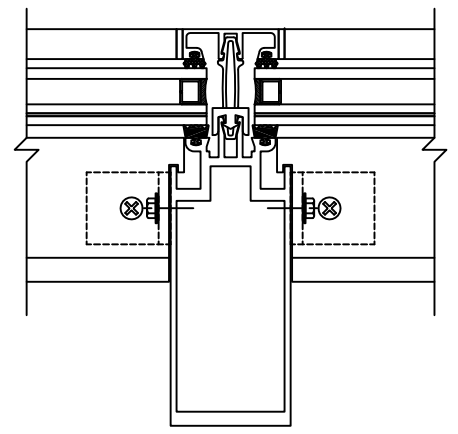
BMS232 APEX PURLIN



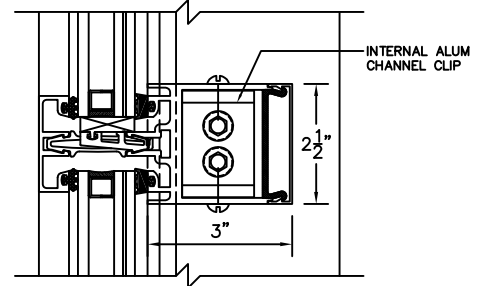
BMS231 PURLIN



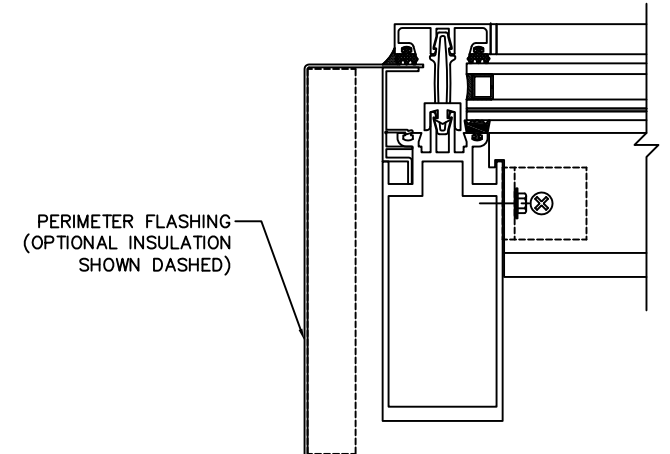
BMS234 END RAFTER @ GLAZED  
VERTICAL ENDWALL



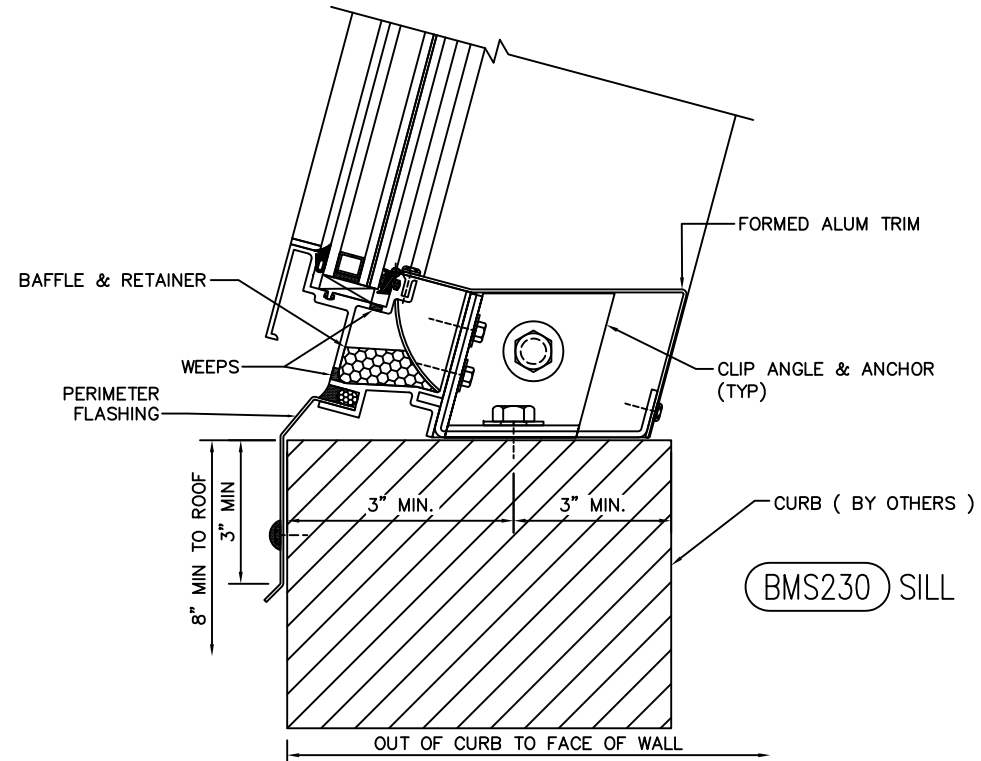
BMS233 RAFTER



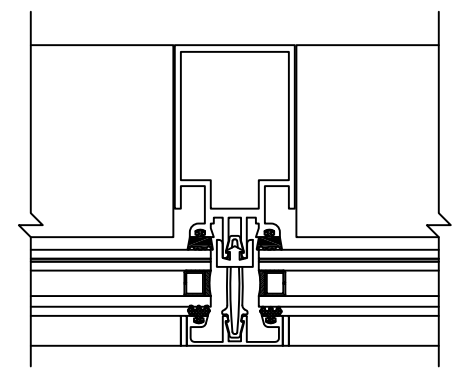
BMS211 PURLIN @ GLAZED  
VERTICAL ENDWALL



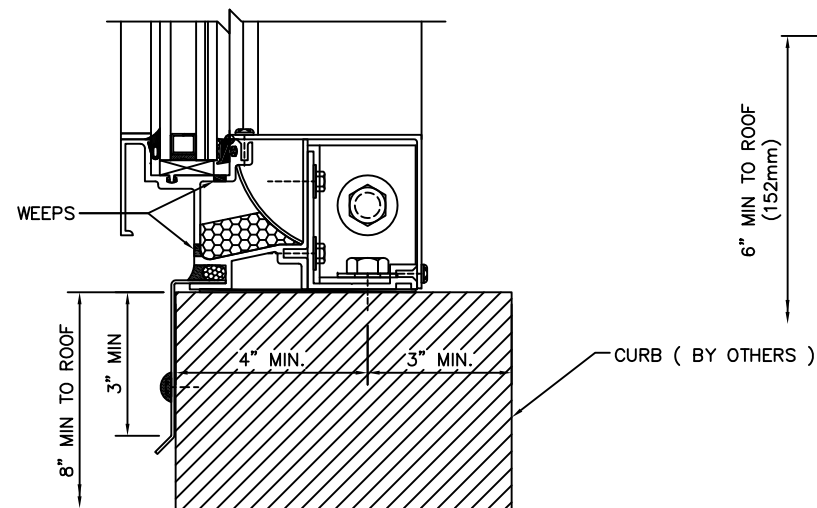
BMS235 END RAFTER @ ROOF CURB  
OR PARAPET WALL



BMS230 SILL



BMS213 VERTICAL RAFTER @  
GLAZED ENDWALL



BMS210 SILL @ GLAZED  
VERTICAL ENDWALL

6" MIN TO ROOF  
(152mm)

3" MIN  
(76mm)

OUT OF CURB TO OUT OF CURB  
(OR OUT OF CURB TO FACE OF WALL)

BMS-3000 CUSTOM SEGMENTED VAULT W/ or W/O GLAZED VERTICAL ENDWALL