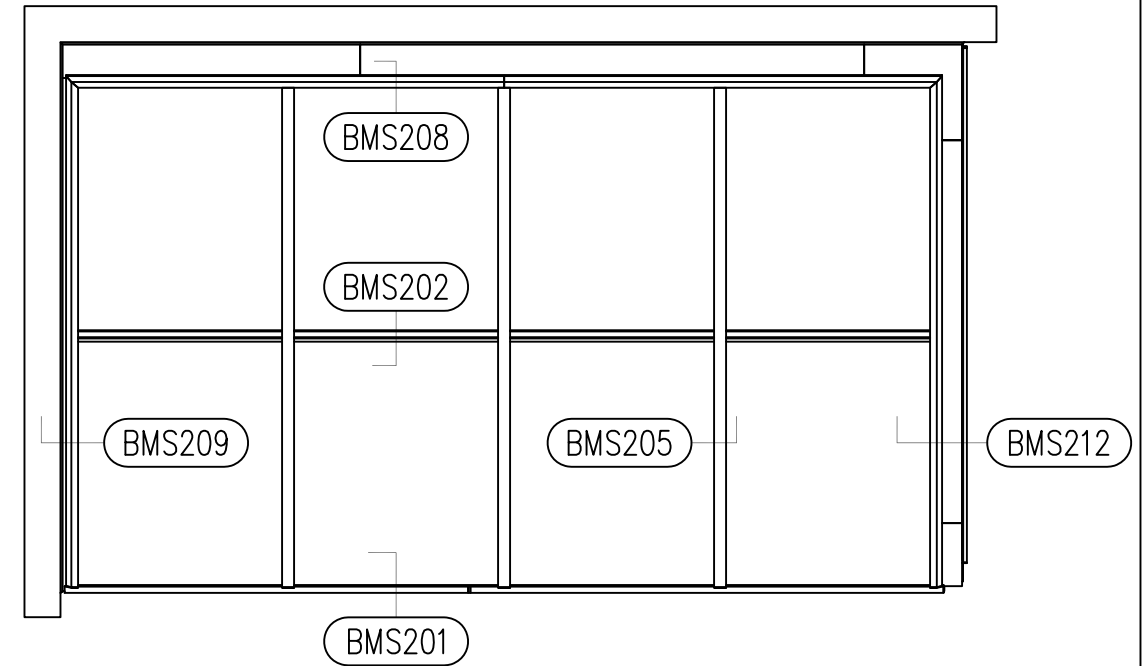
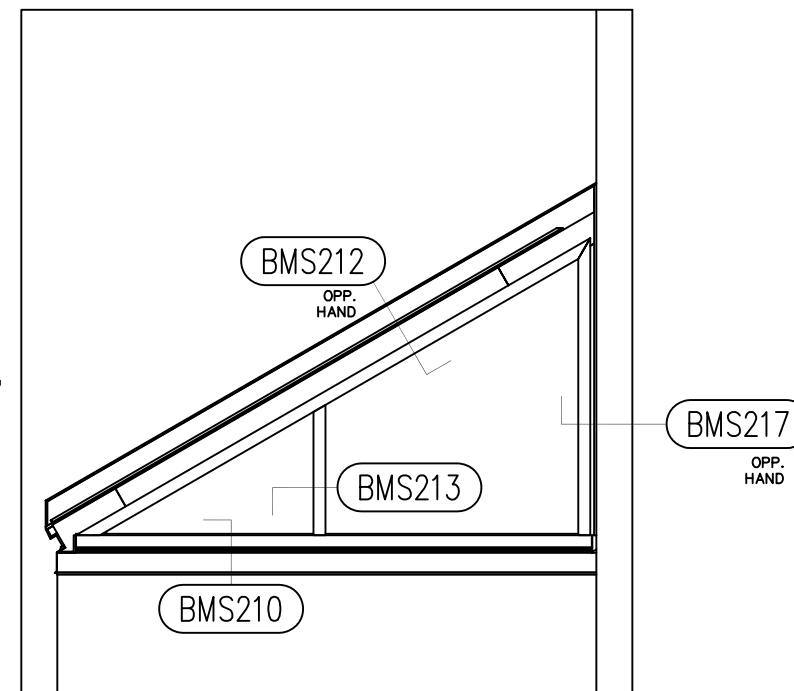


ISOMETRIC VIEW OF
SINGLE SLOPE SKYLIGHT
WITH GLAZED VERTICAL ENDWALL



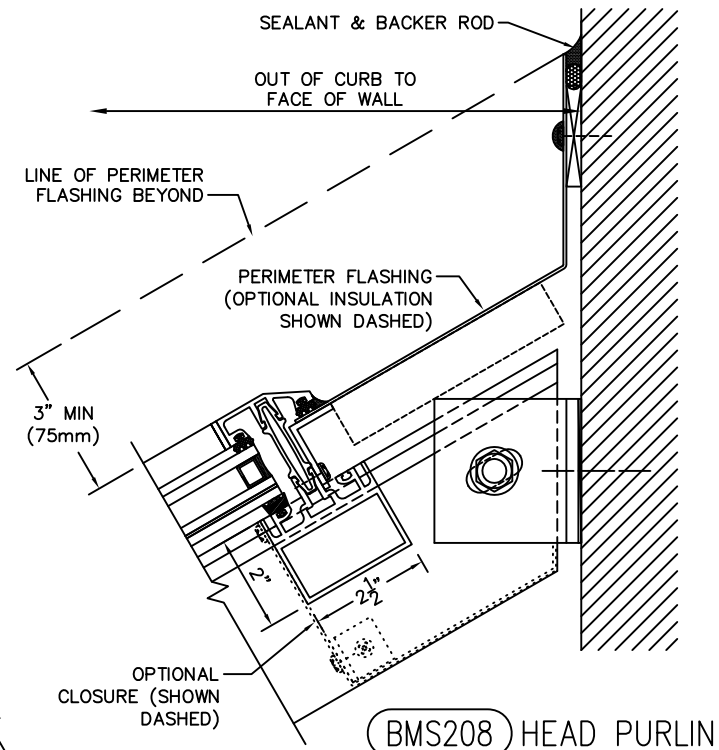
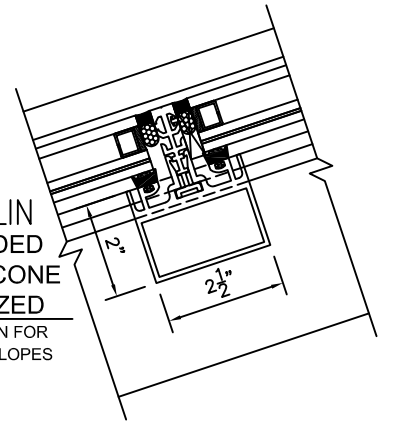
PLAN VIEW



PLAN VIEW OF
GLAZED VERTICAL ENDWALL

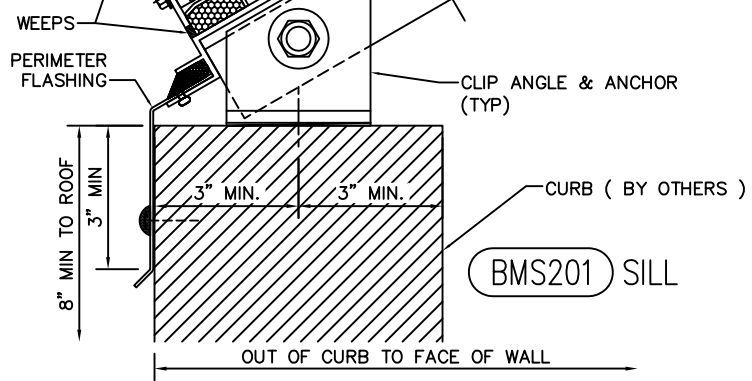
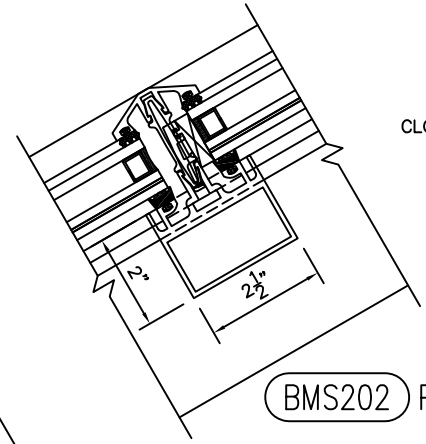
BMS-3000 CUSTOM SINGLE SLOPE WITH VERTICAL ENDWALL GLAZED	
 <small>803 AIRPORT RD. TERRELL TX 75160 (972) 551-6100</small>	BMS204-3D 3-D Isometric View
	07-09 REV-1

BMS203 PURLIN
2-SIDED
SILICONE
GLAZED
OPTION FOR
LOW SLOPES



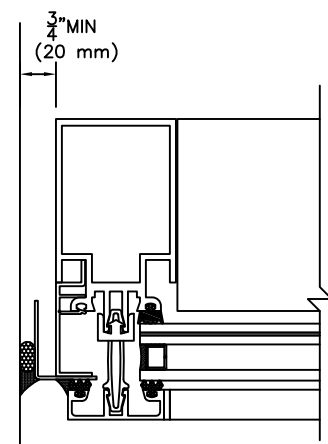
BMS208 HEAD PURLIN

BMS202 PURLIN

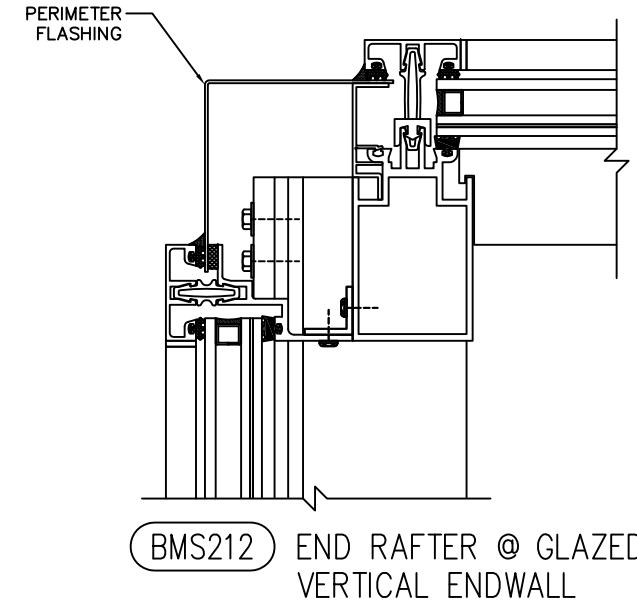
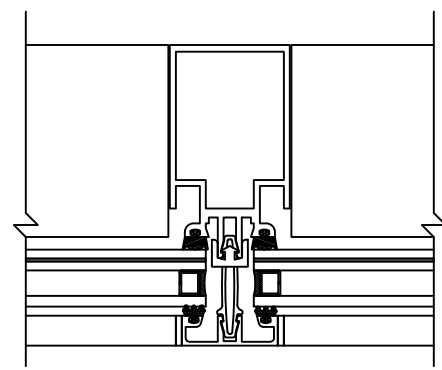


BMS201 SILL

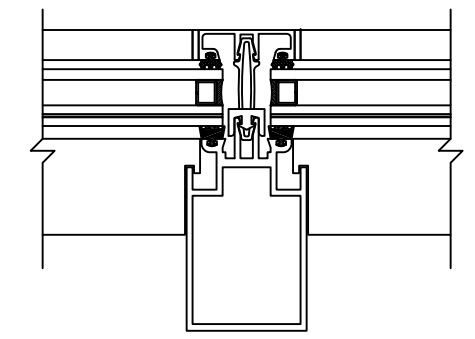
BMS217 JAMB RAFTER @ GLAZED VERTICAL ENDWALL



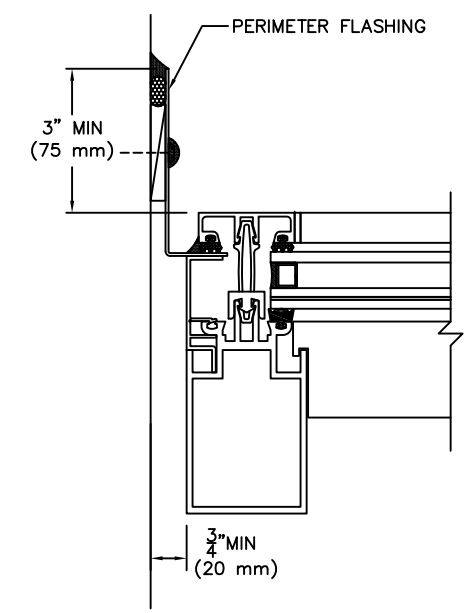
BMS213 VERTICAL RAFTER @ GLAZED VERTICAL ENDWALL



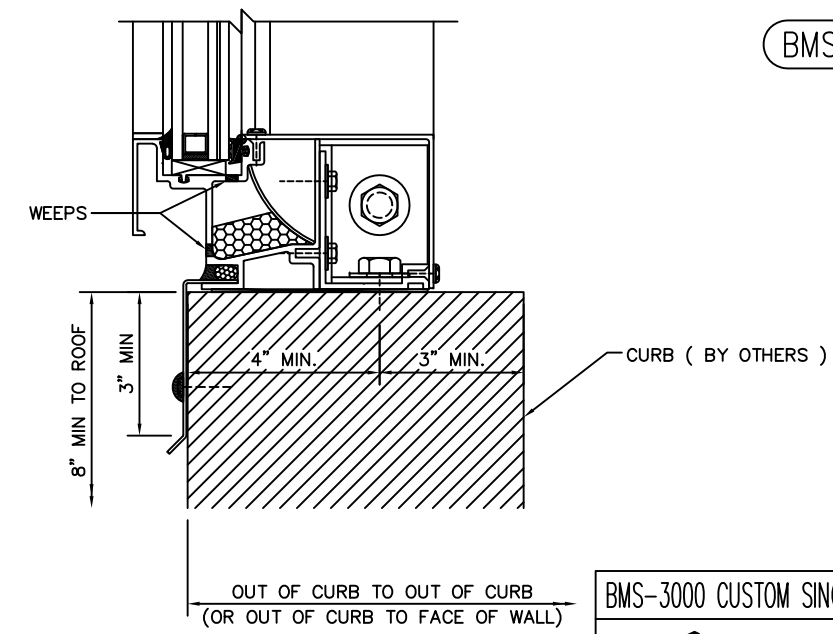
BMS212 END RAFTER @ GLAZED VERTICAL ENDWALL



BMS205 RAFTER



BMS209 END RAFTER



BMS210 SILL @ GLAZED VERTICAL ENDWALL

BMS-3000 CUSTOM SINGLE SLOPE WITH GLAZED VERTICAL ENDWALL



803 AIRPORT RD. TERRELL TX 75160
(972) 551-6100

BMS204-DET
INSULATING LAMI.

07-09 | REV-1