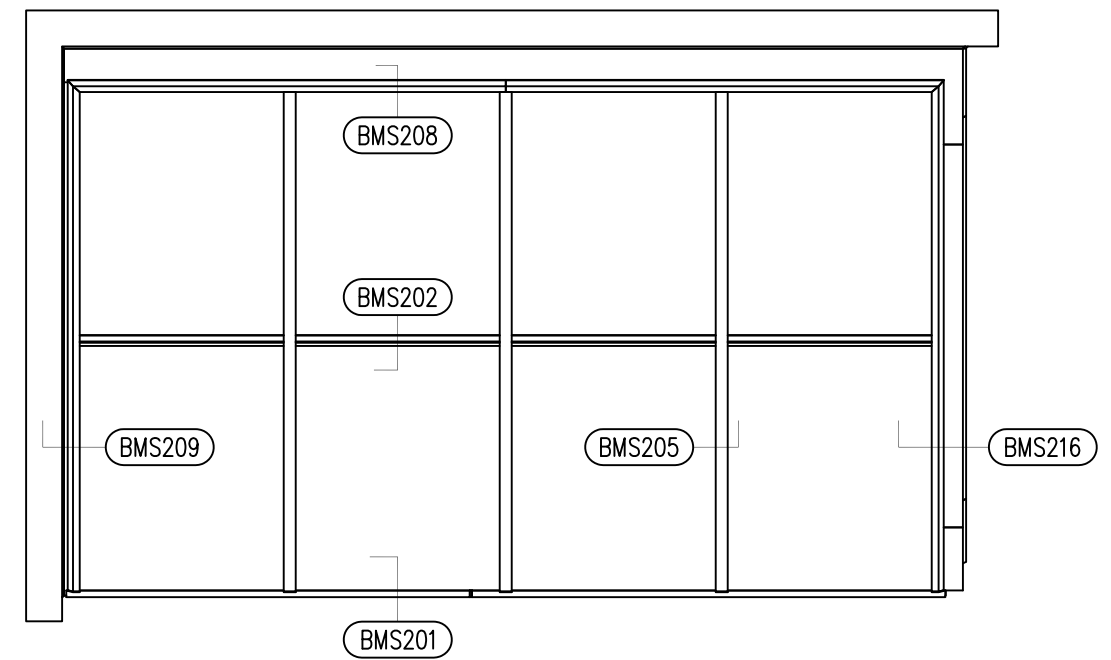


ISOMETRIC VIEW OF  
SINGLE SLOPE SKYLIGHT

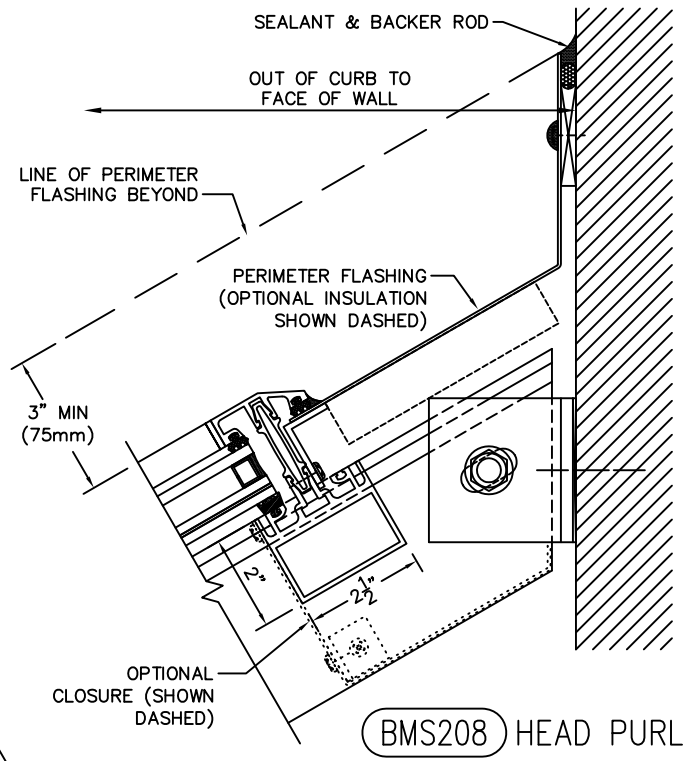
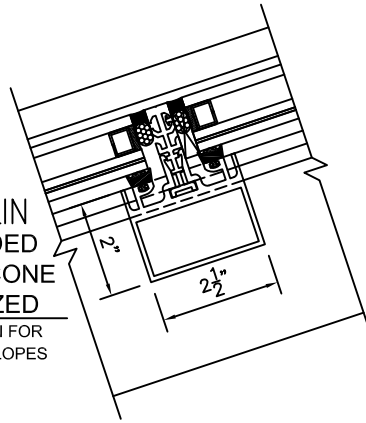


PLAN VIEW OF  
SINGLE SLOPE SKYLIGHT

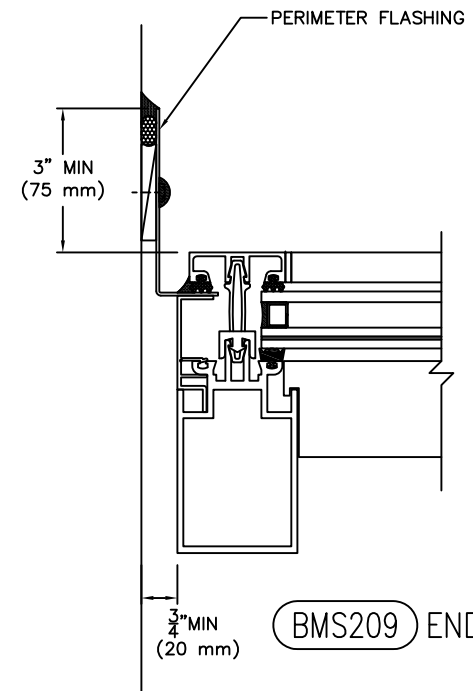
BMS-3000 CUSTOM SINGLE SLOPE - INSULATING LAMI.	
 <b>Oldcastle</b> BuildingEnvelope™ <small>803 AIRPORT RD. TERRELL TX 75160          (972) 551-6100</small>	BMS203-3D 3-D Isometric View
	07-09   REV-1

BMS203

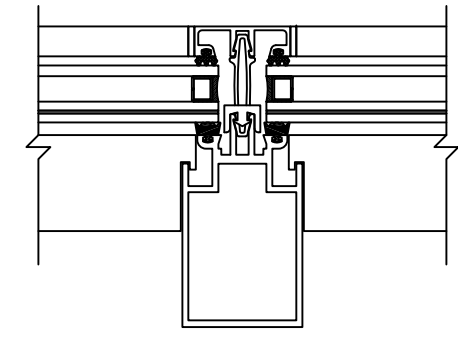
PURLIN  
2-SIDED  
SILICONE  
GLAZED  
OPTION FOR  
LOW SLOPES



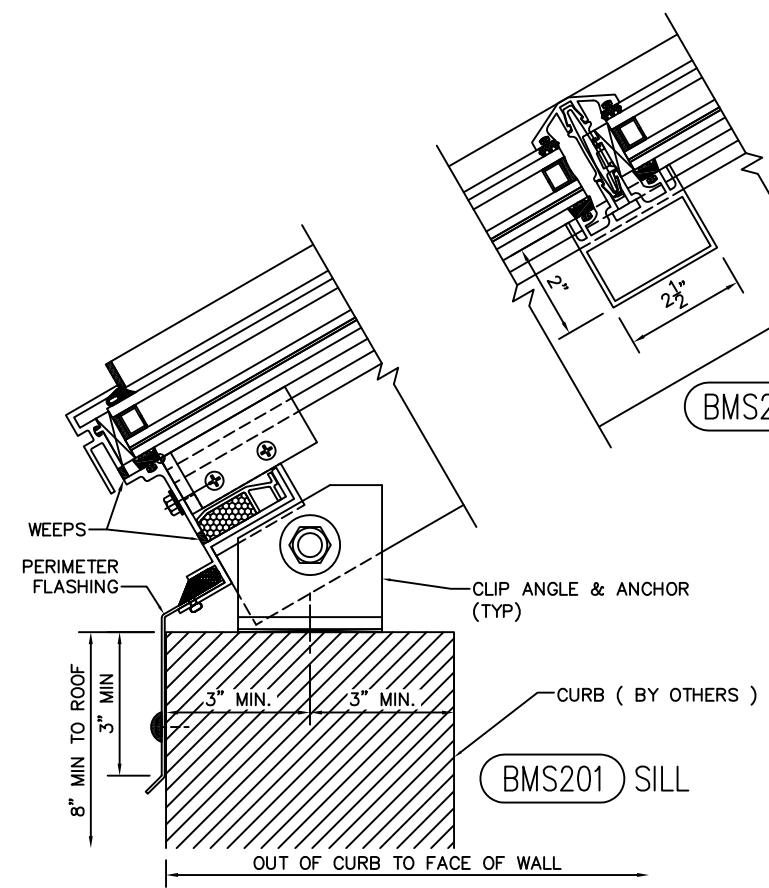
BMS208 HEAD PURLIN



BMS209 END RAFTER

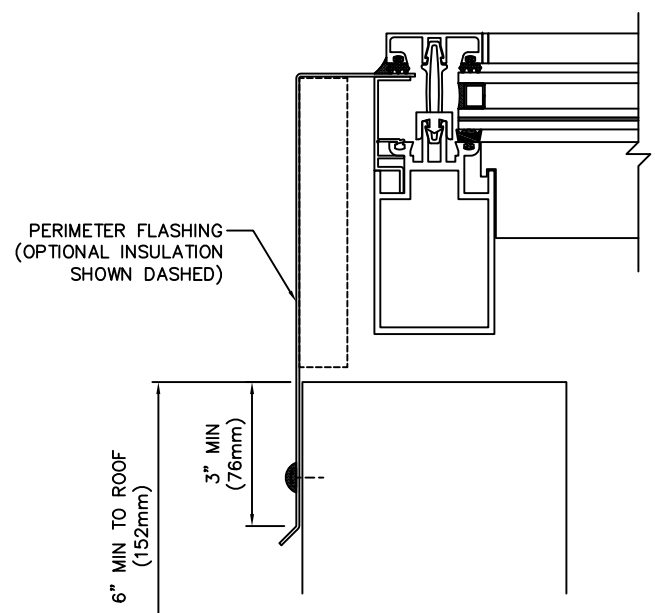


BMS205 RAFTER



BMS201 SILL

BMS202 PURLIN



BMS216 END RAFTER @ ROOF CURB OR PARAPET WALL