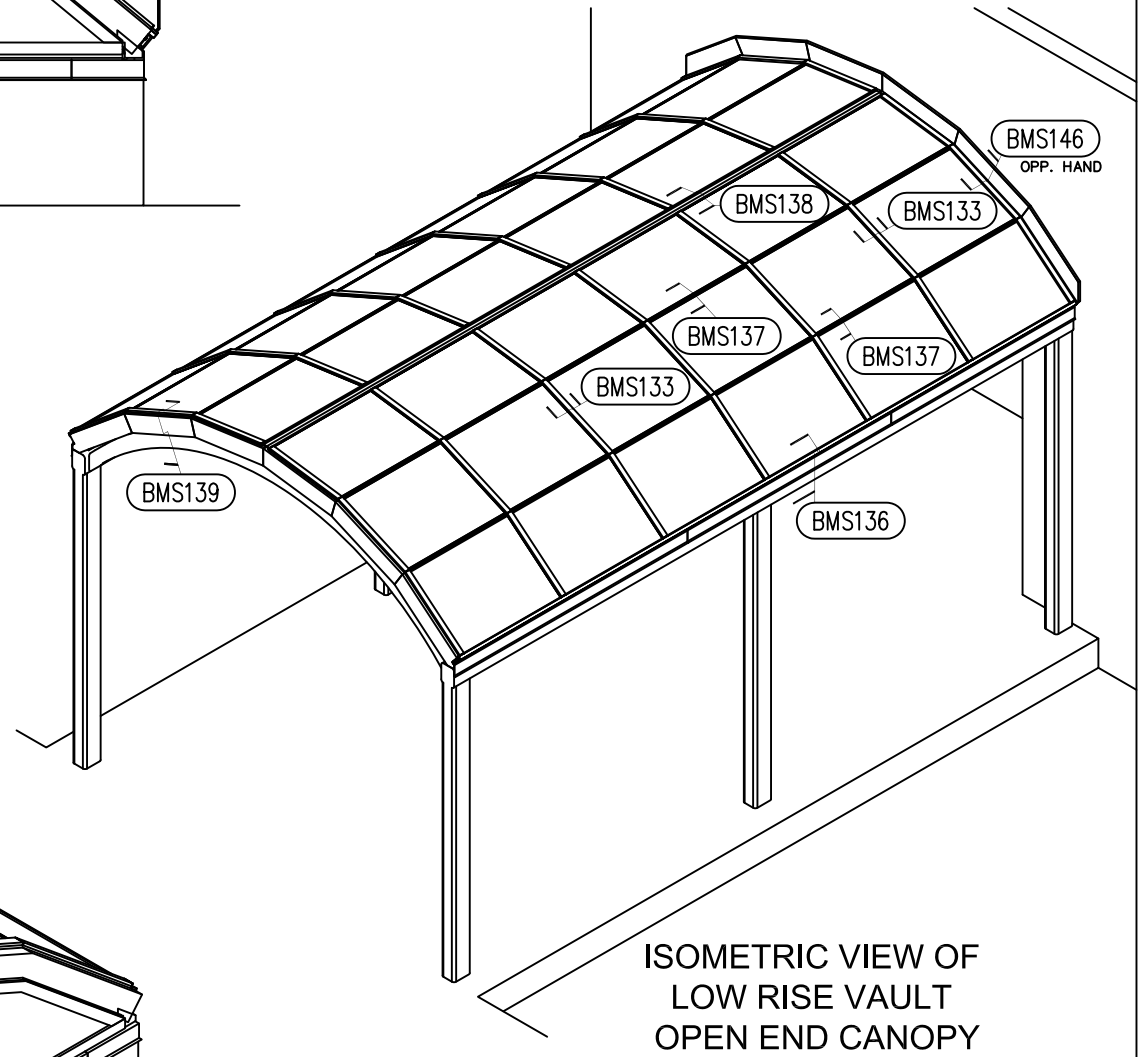
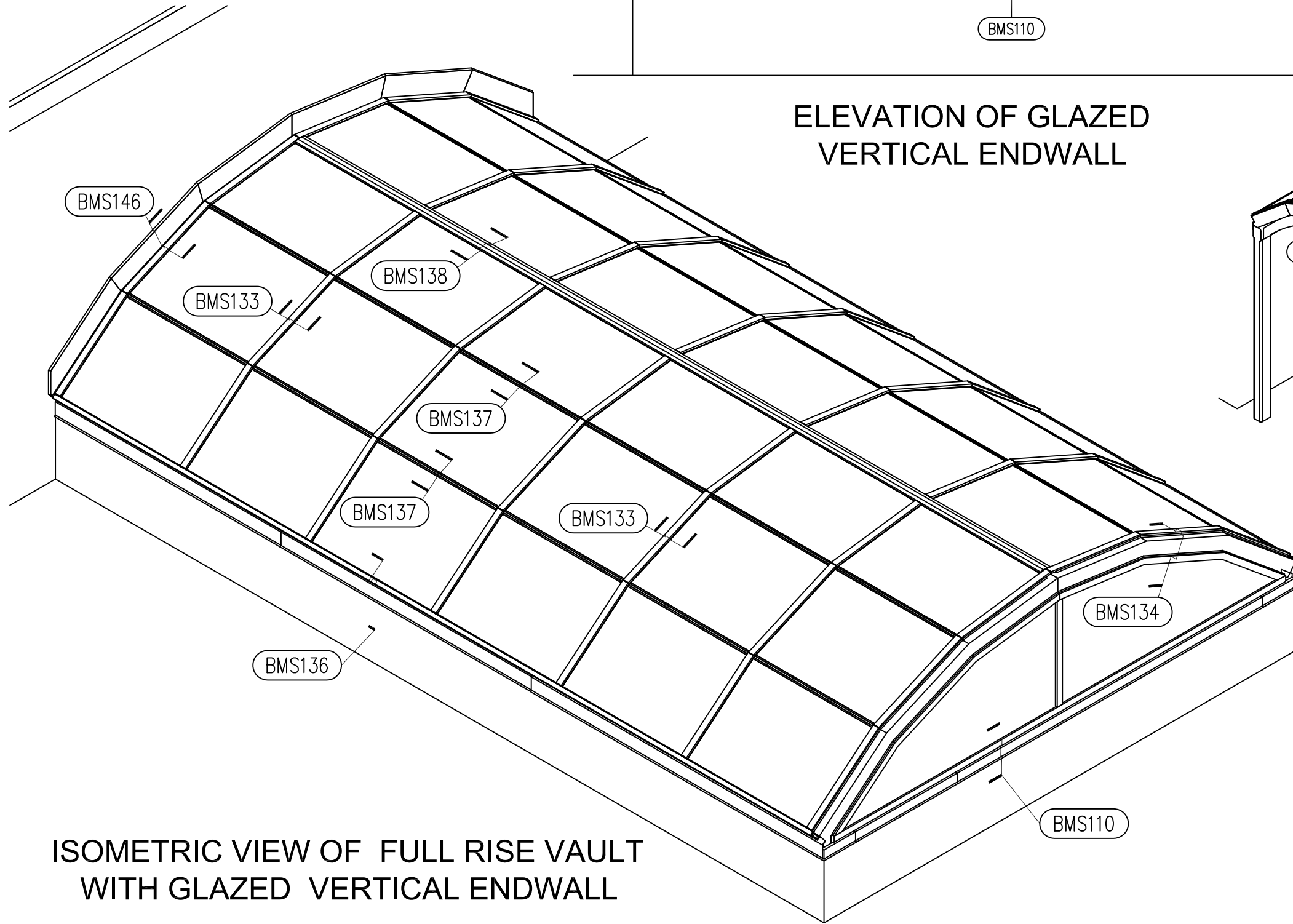


ELEVATION OF GLAZED VERTICAL ENDWALL

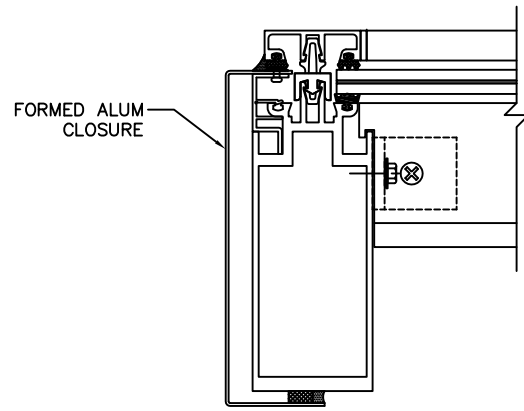


ISOMETRIC VIEW OF LOW RISE VAULT OPEN END CANOPY

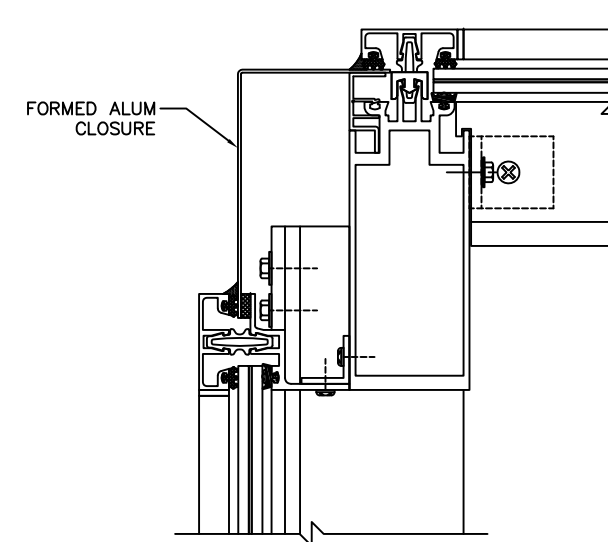


ISOMETRIC VIEW OF FULL RISE VAULT WITH GLAZED VERTICAL ENDWALL

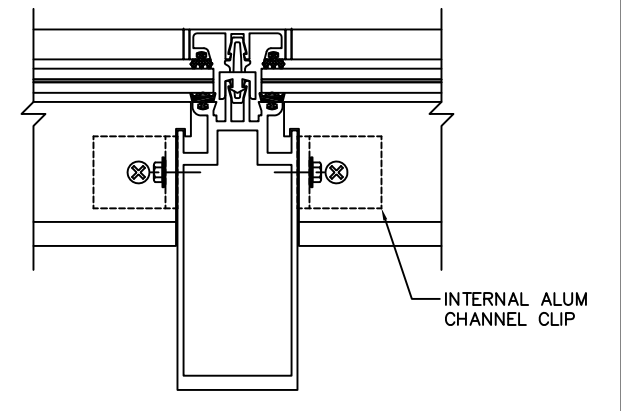
BMS-3000 CUSTOM LOW RISE VAULT – LAMINATED	
 <p>803 AIRPORT RD. TERRELL TX 75160 (972) 551-6100</p>	<p>BMS108-2-3D 3-D Isometric View</p>
	<p>12-09   REV-1</p>



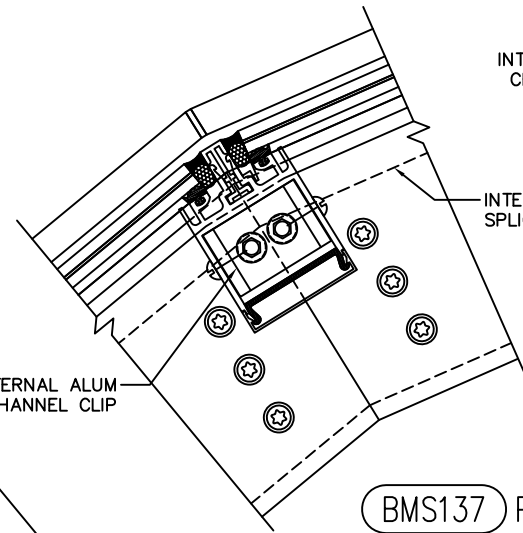
**BMS139** END RAFTER @ OPEN END OF CANOPY



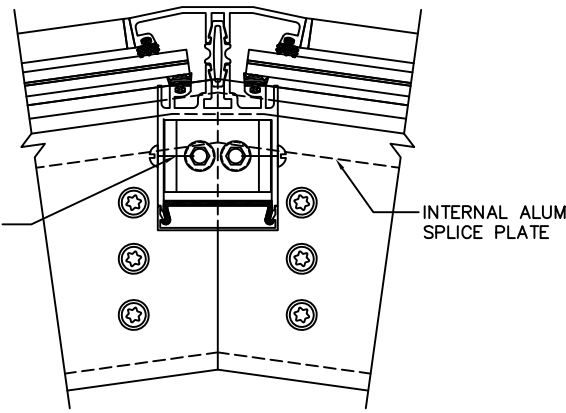
**BMS134** END RAFTER @ GLAZED VERTICAL ENDWALL



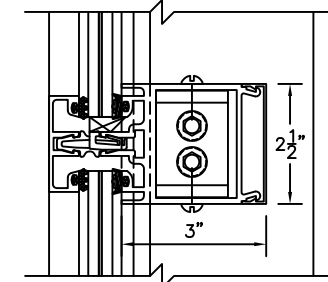
**BMS133** RAFTER



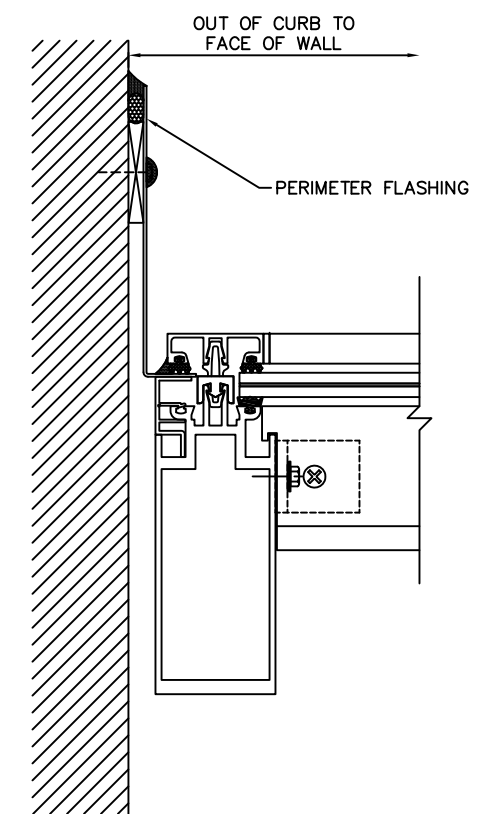
**BMS137** PURLIN



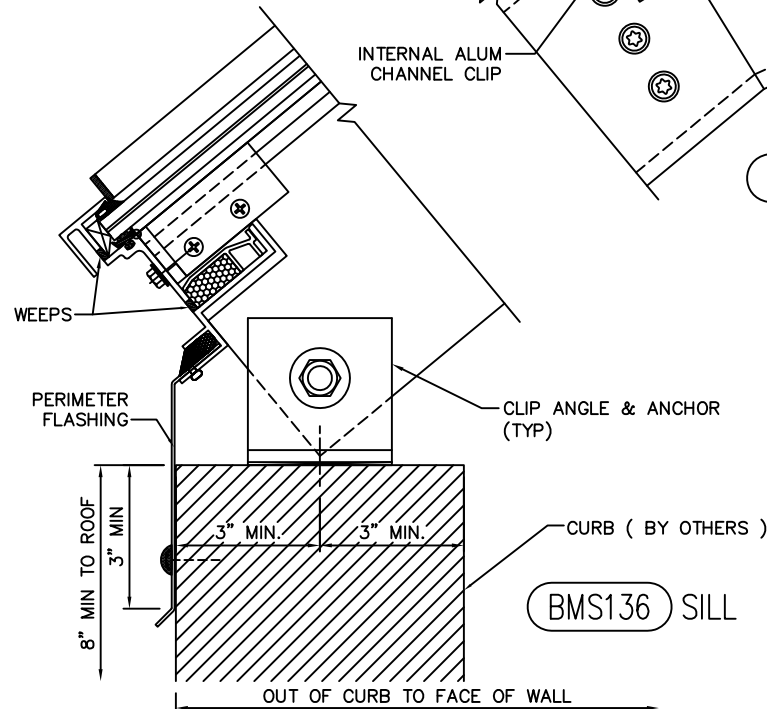
**BMS138** PURLIN



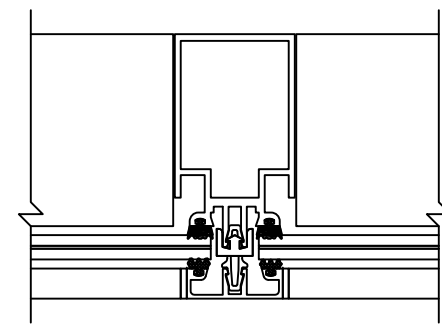
**BMS111** PURLIN @ GLAZED VERTICAL ENDWALL



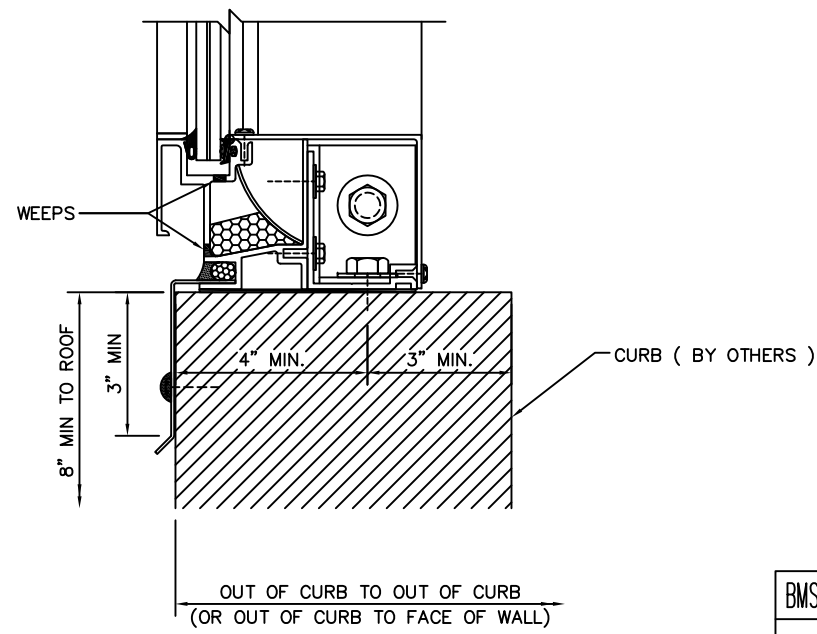
**BMS146** END RAFTER AT JAMB WALL



**BMS136** SILL




**BMS113** VERTICAL RAFTER @ GLAZED ENDWALL



**BMS110** SILL @ GLAZED VERTICAL ENDWALL

BMS-3000 CUSTOM LOW RISE VAULT W/ or W/O GLAZED VERTICAL ENDWALL



803 AIRPORT RD. TERRELL TX 75160  
(972) 551-6100

**BMS108-2-DET LAMINATED GLASS**

12-09 | REV-1