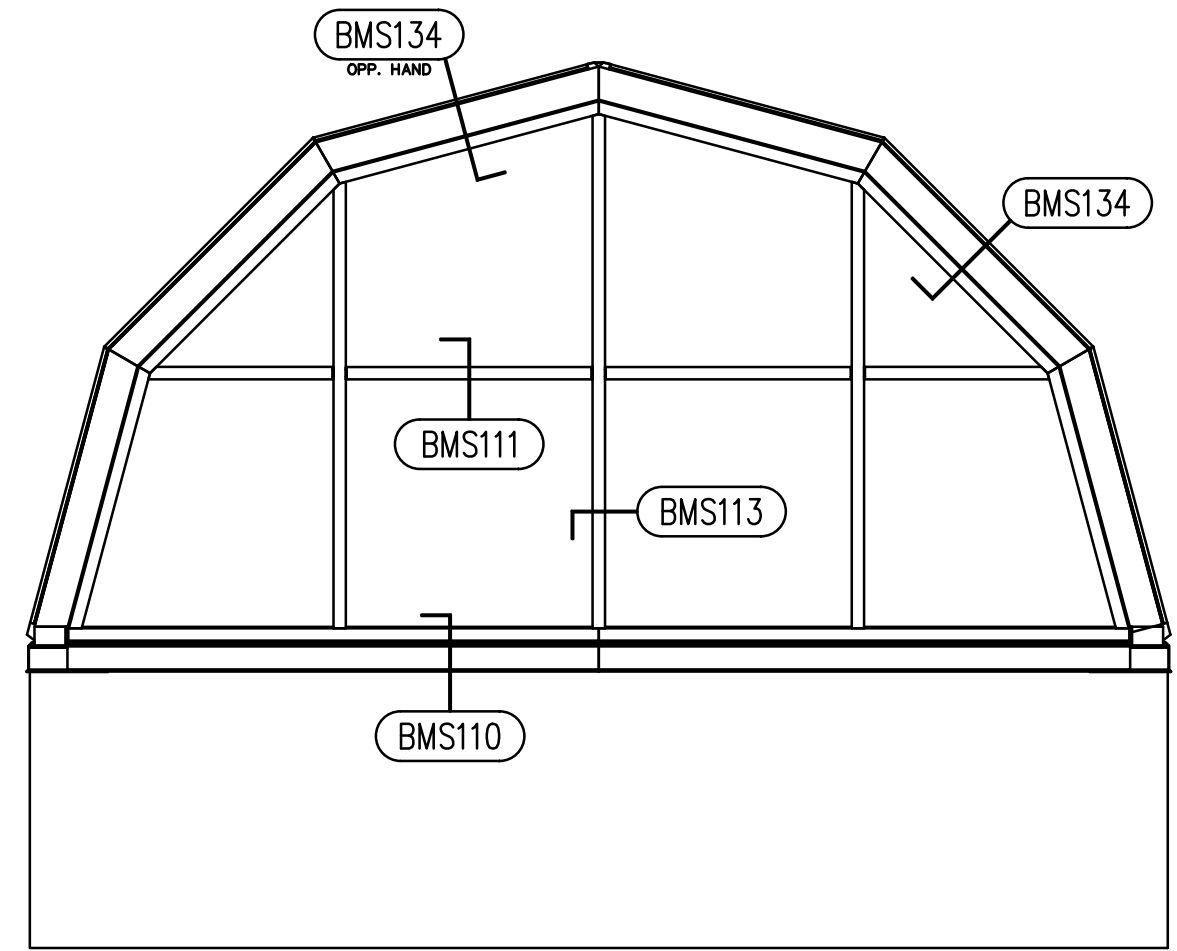
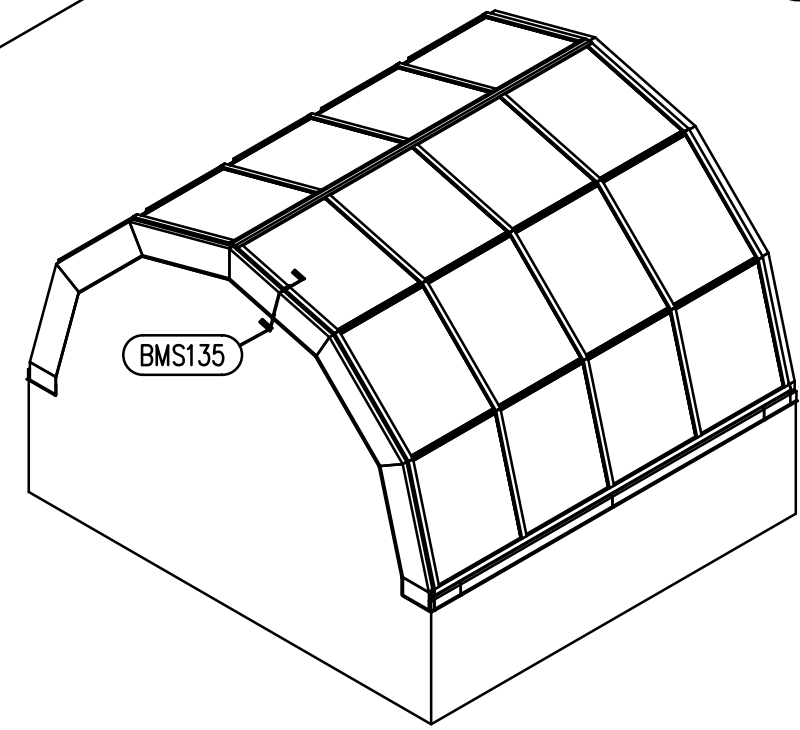


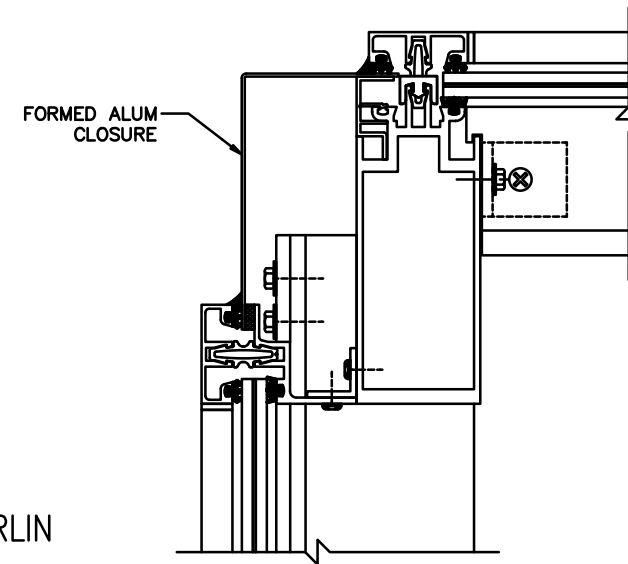
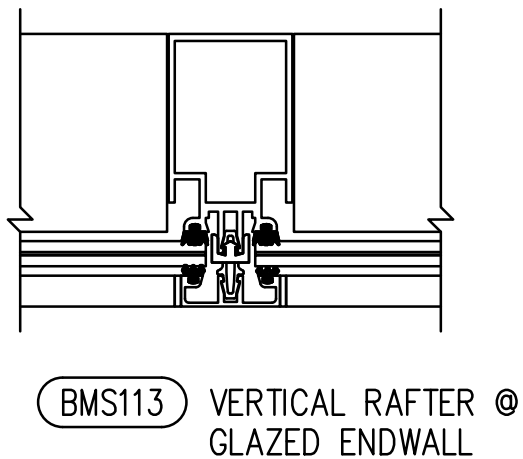
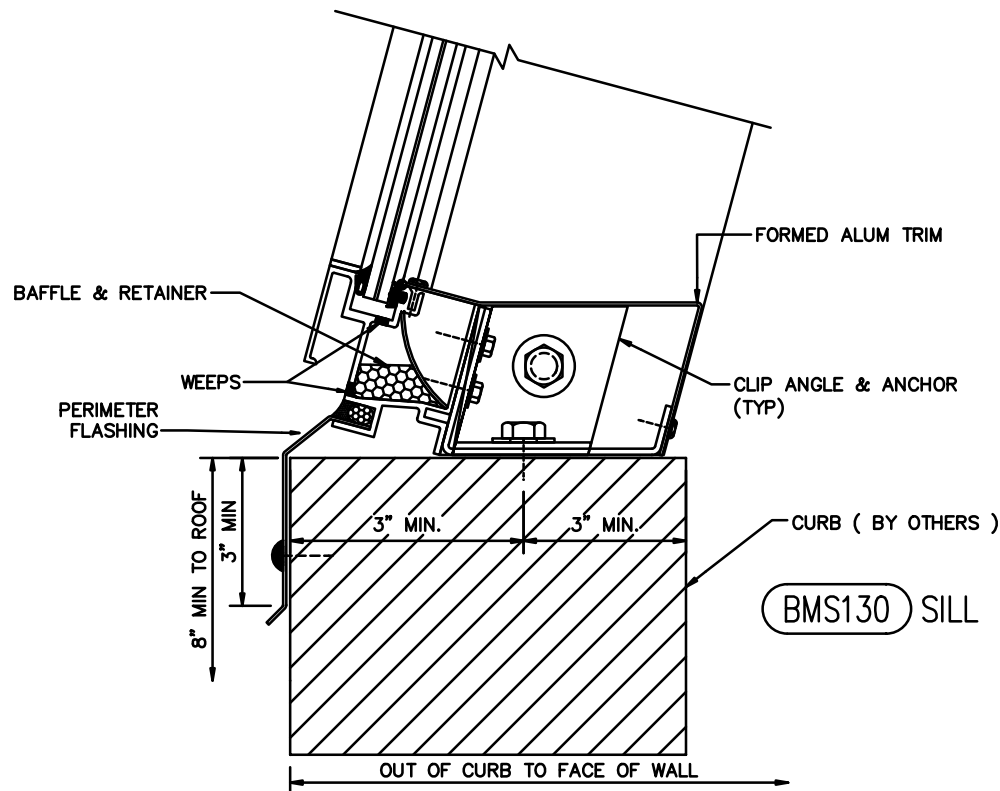
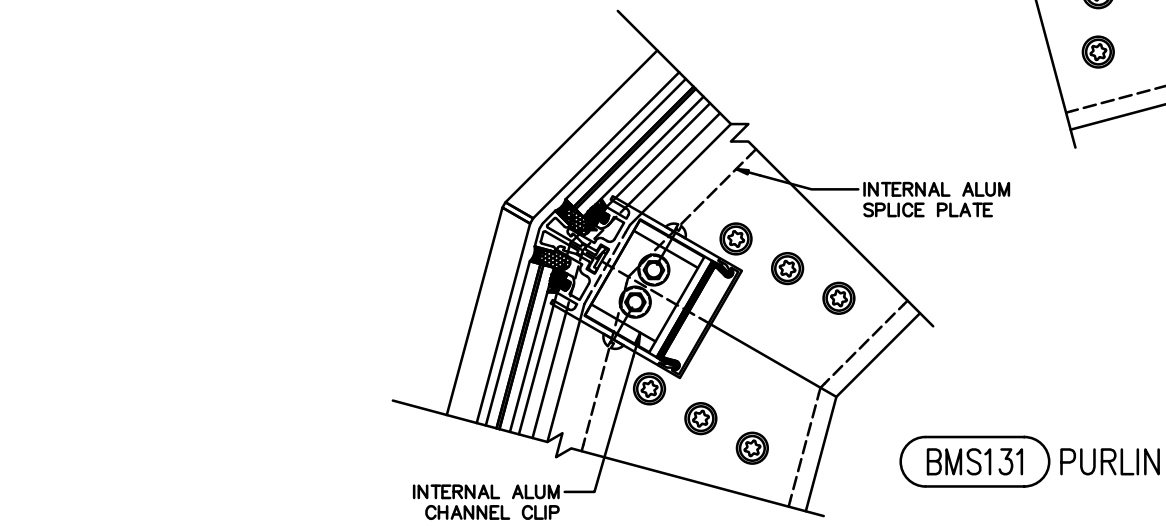
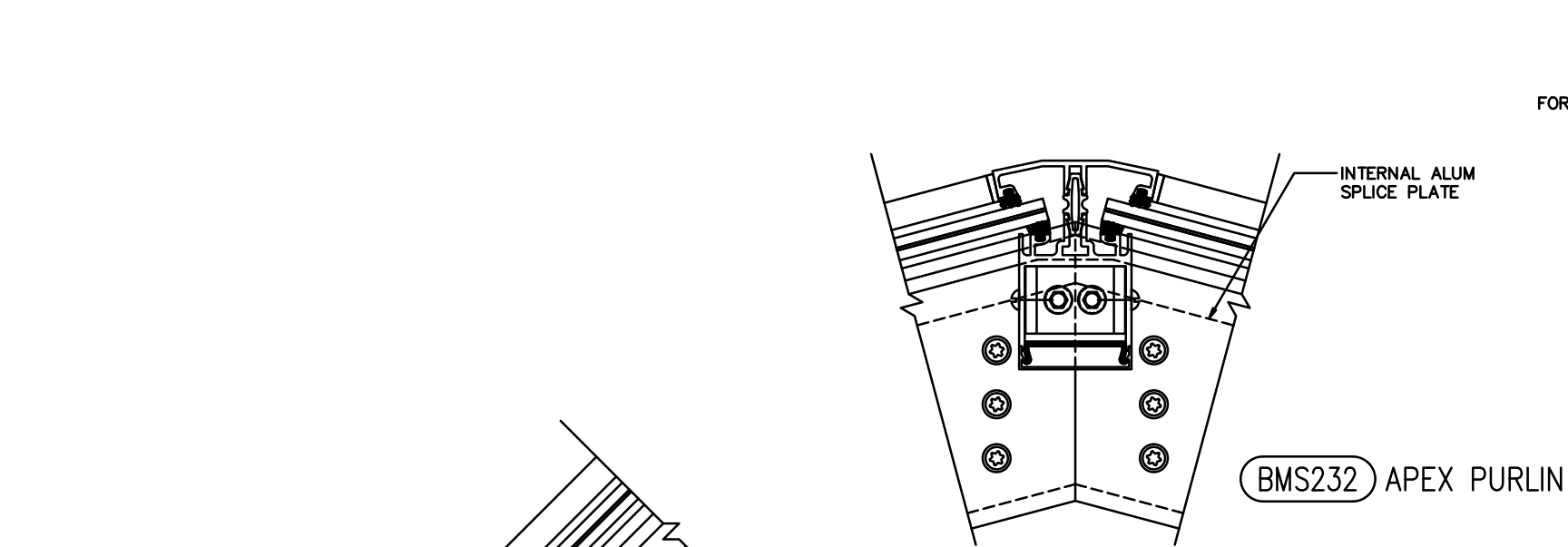
**ISOMETRIC VIEW OF
FULL RISE VAULT
WITH GLAZED
VERTICAL ENDWALL**



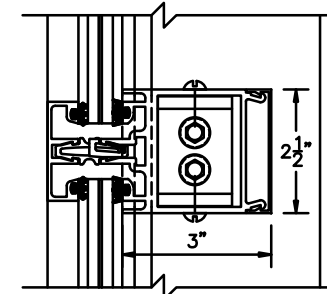
**ELEVATION OF
GLAZED VERTICAL
ENDWALL**



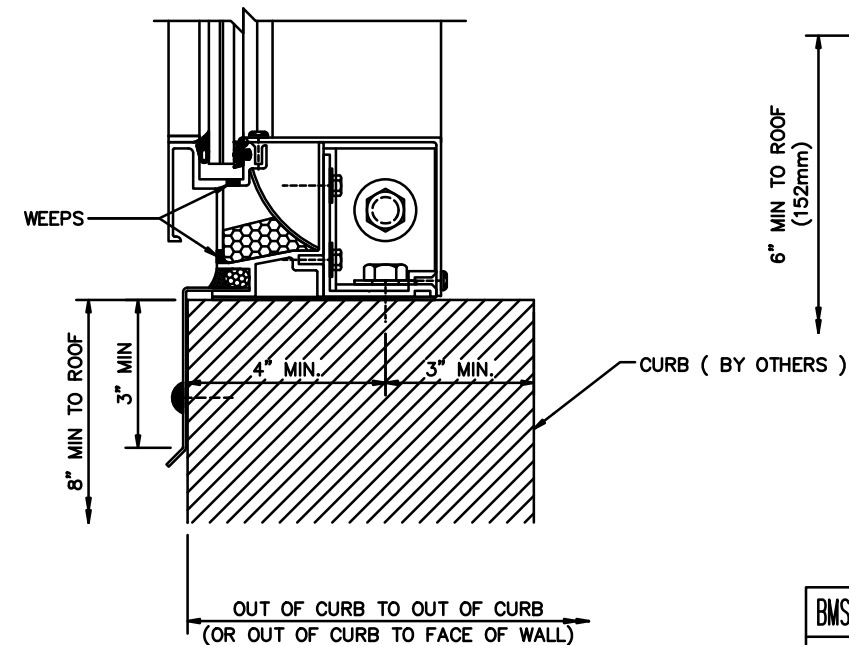
**ISOMETRIC VIEW OF FULL RISE VAULT
AT ROOF CURB**



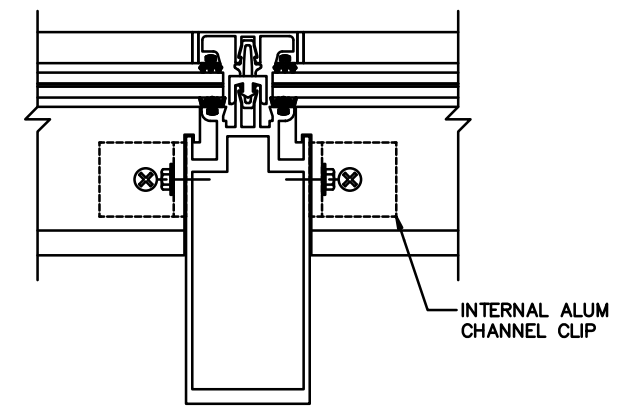
BMS134 END RAFTER @ GLAZED VERTICAL ENDWALL



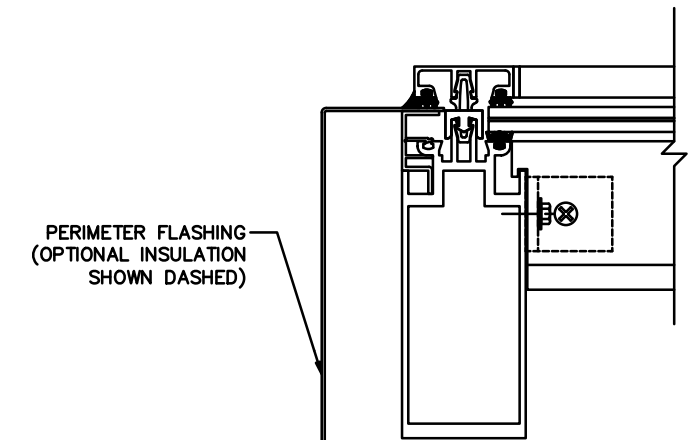
BM111 PURLIN @ GLAZED VERTICAL ENDWALL



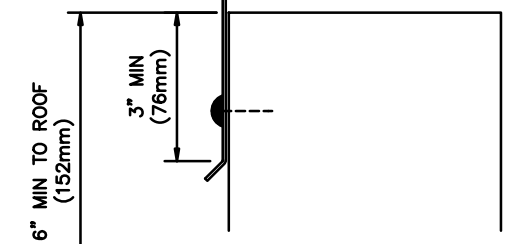
BMS110 SILL @ GLAZED VERTICAL ENDWALL



BMS133 RAFTER



BMS135 END RAFTER @ ROOF CURB OR PARAPET WALL



BMS-3000 CUSTOM SEGMENTED VAULT W/ or W/O GLAZED VERTICAL ENDWALL

Oldcastle BuildingEnvelope
801 AIRPORT RD. TERRELL TX 75160
(972) 551-6100

BMS108-1-DET
LAMINATED GLASS

12-09 REV-1