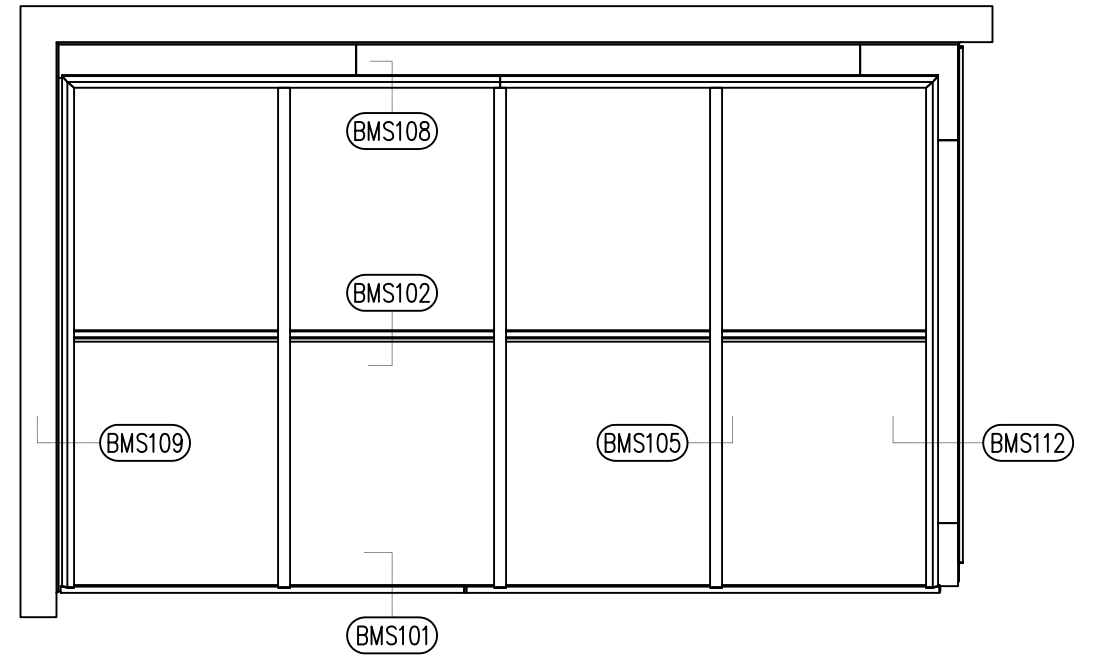
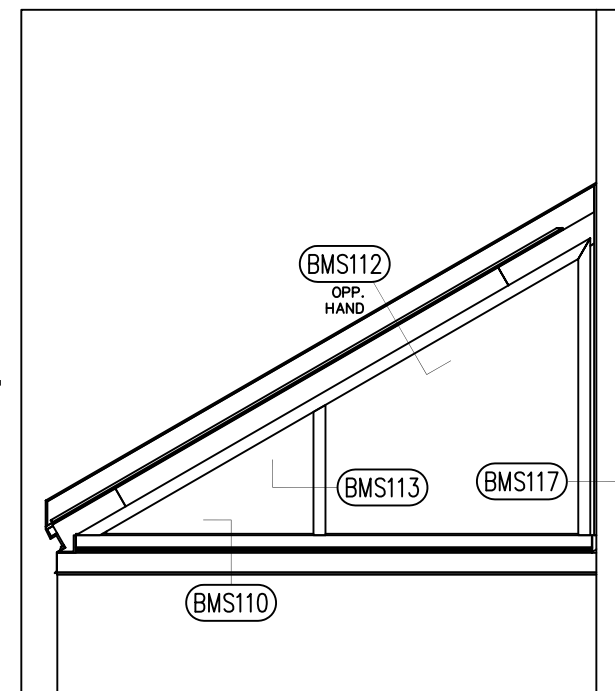


ISOMETRIC VIEW OF
SINGLE SLOPE SKYLIGHT
WITH GLAZED VERTICAL ENDWALL

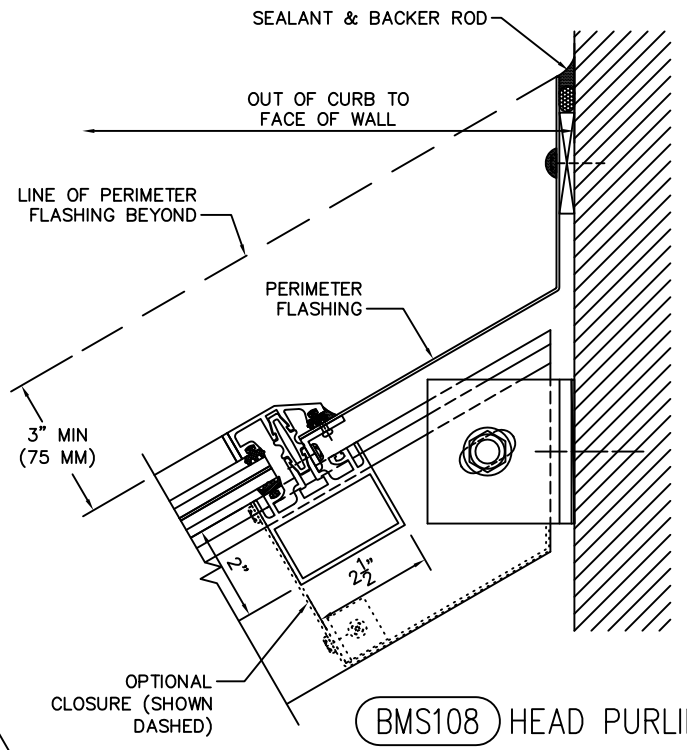
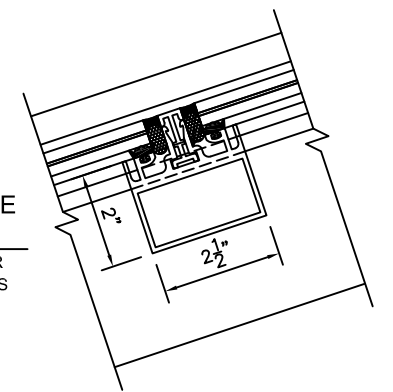


PLAN VIEW



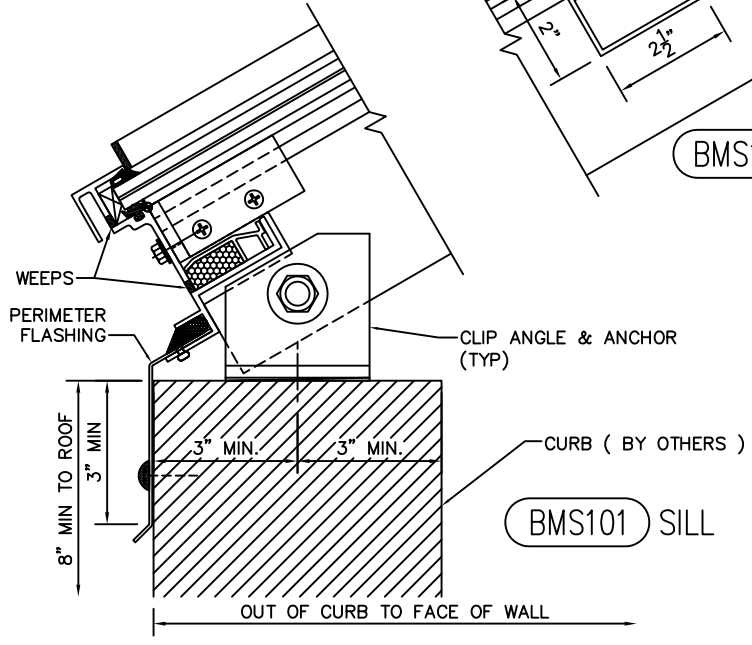
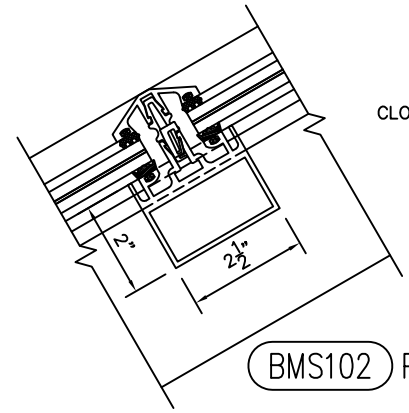
ELEVATION OF
GLAZED VERTICAL ENDWALL

BMS103 PURLIN
2-SIDED
SILICONE
GLAZED
OPTION FOR
LOW SLOPES

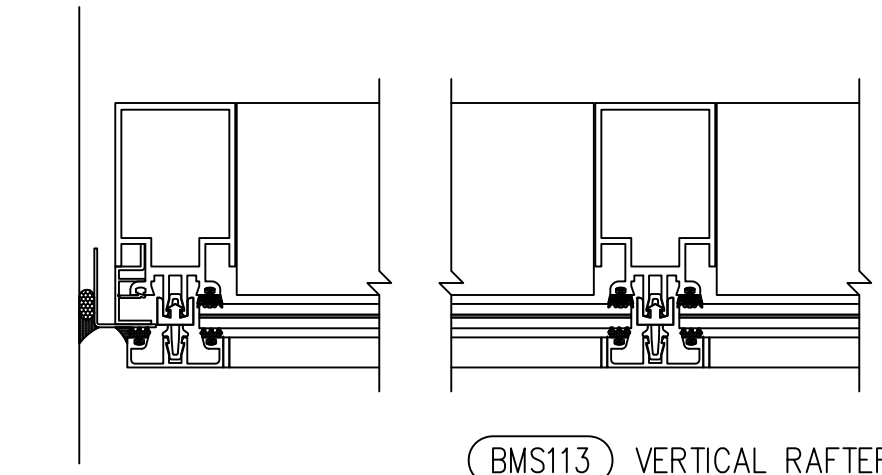


BMS108 HEAD PURLIN

BMS102 PURLIN

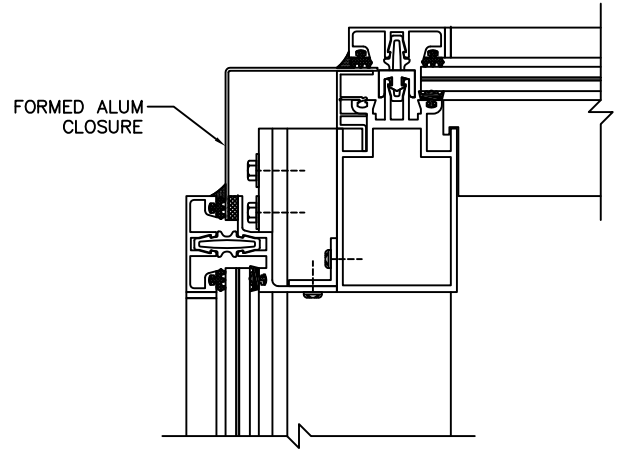


BMS101 SILL

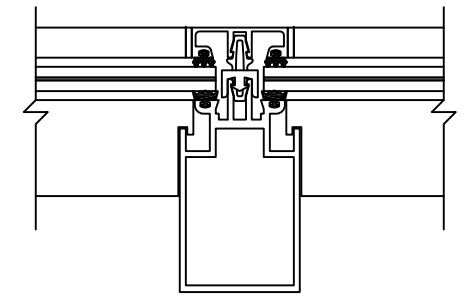


BMS117 JAMB RAFTER @
GLAZED ENDWALL

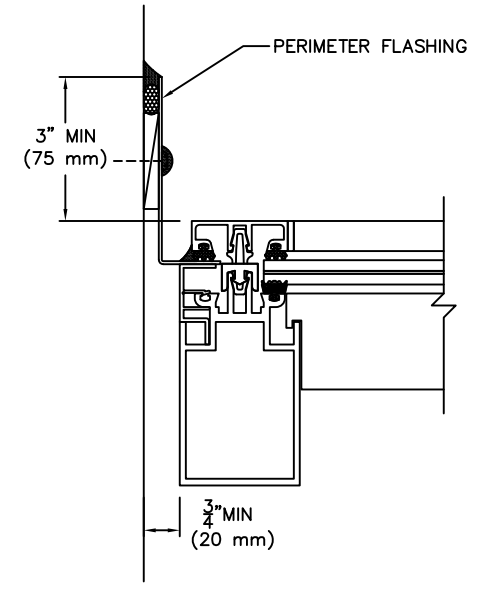
BMS113 VERTICAL RAFTER @
VERTICAL ENDWALL



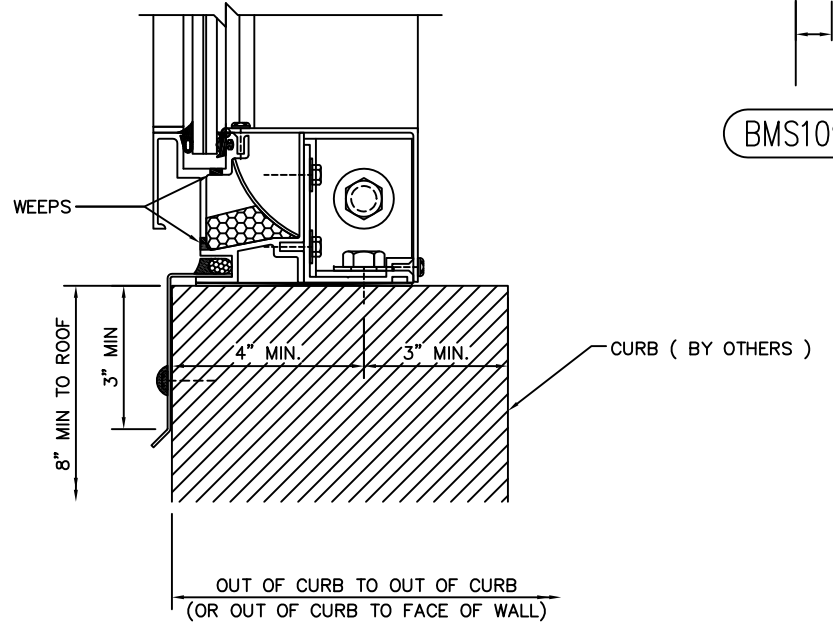
BMS112 END RAFTER @ GLAZED
VERTICAL ENDWALL




BMS105 RAFTER



BMS109 END RAFTER



BMS110 SILL @ GLAZED
VERTICAL ENDWALL

BMS-3000 CUSTOM SINGLE SLOPE W/ VERT. ENDWALL	
 Oldcastle BuildingEnvelope™ 803 AIRPORT RD. TERRELL TX 75160 (972) 551-6100	BMS104-DET LAMINATED GLASS
	07-09 REV-1