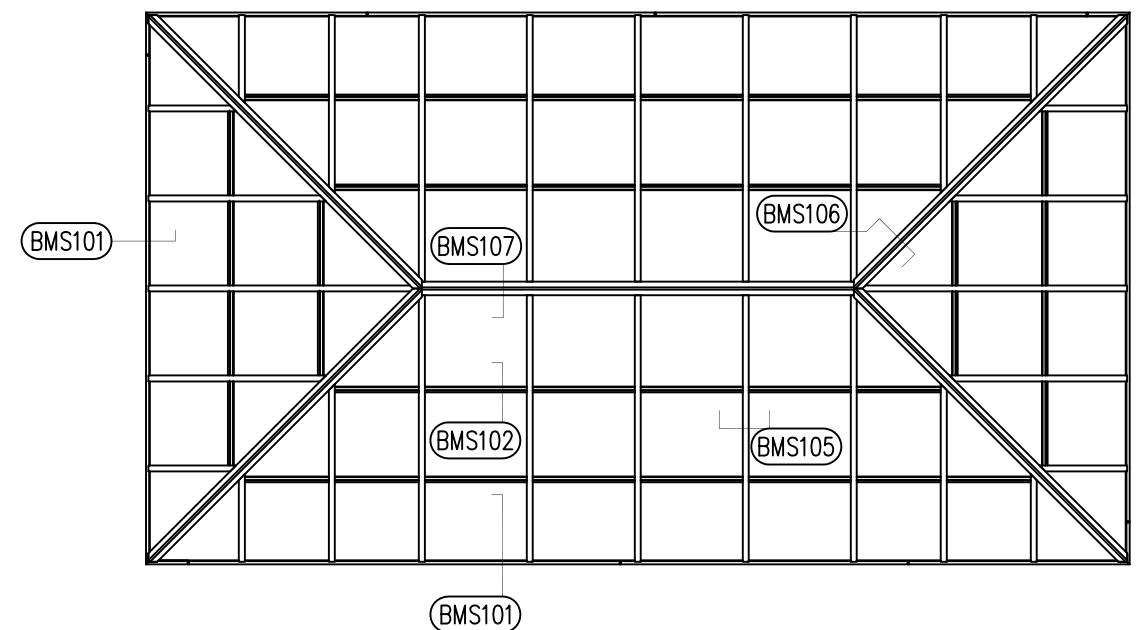


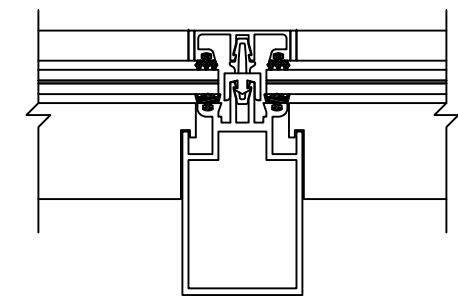
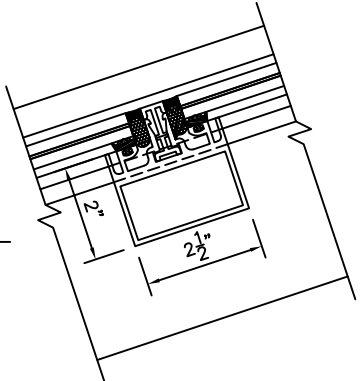
ISOMETRIC VIEW OF  
HIPPED END RIDGE SKYLIGHT



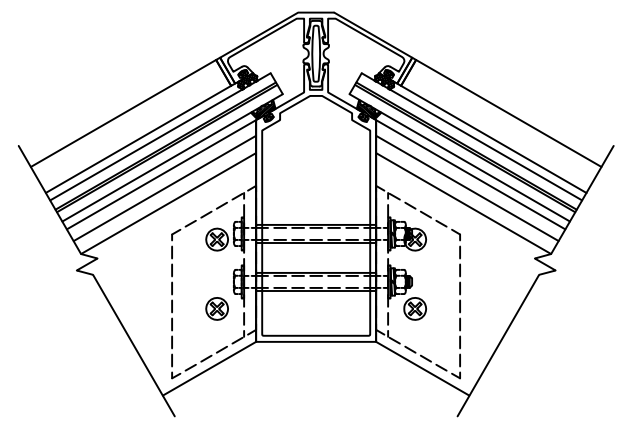
PLAN VIEW OF  
HIPPED END RIDGE SKYLIGHT

BMS-3000 CUSTOM HIPPED END RIDGE - LAMINATED	
 <b>Oldcastle</b> BuildingEnvelope™ <small>803 AIRPORT RD. TERRELL TX 75160 (972) 551-6100</small>	BMS102-3D 3-D Isometric View
	07-09   REV-1

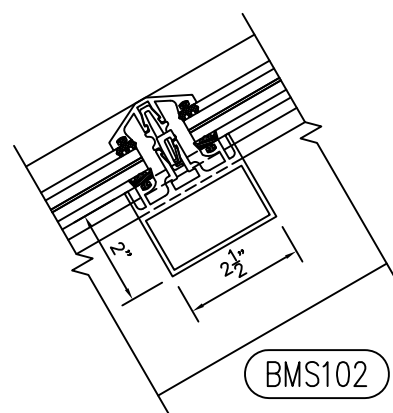
BMS103 PURLIN  
2-SIDED  
SILICONE  
GLAZED  
OPTION FOR  
LOW SLOPES



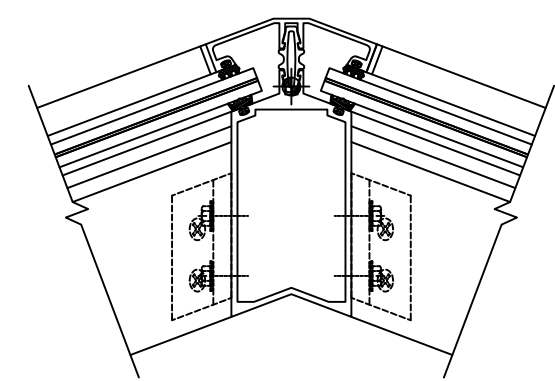
BMS105 RAFTER



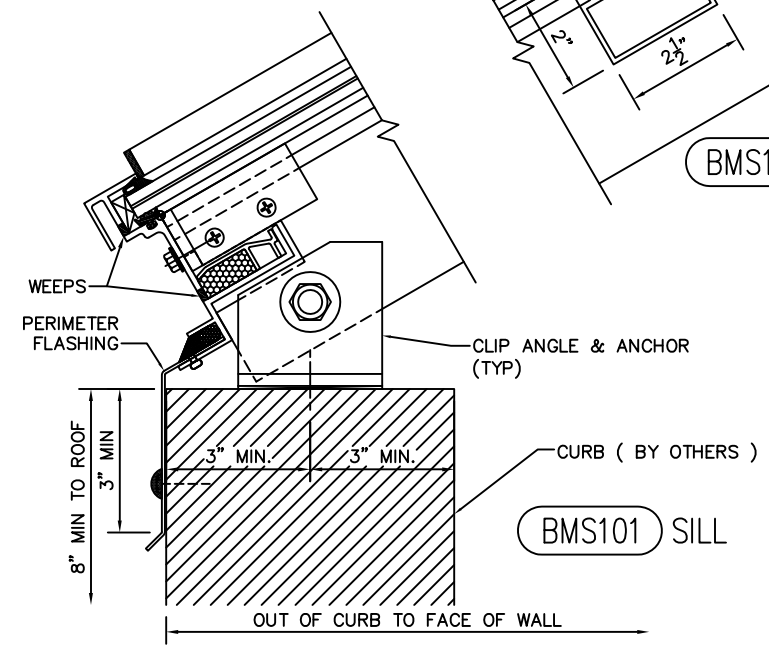
BMS107 RIDGE



BMS102 PURLIN



BMS106 HIP



BMS101 SILL

BMS-3000 CUSTOM HIPPED END RIDGE	
 <b>Oldcastle</b> BuildingEnvelope™ 803 AIRPORT RD. TERRELL TX 75160 (972) 551-6100	BMS102-DET LAMINATED GLASS
	07-09   REV-1