

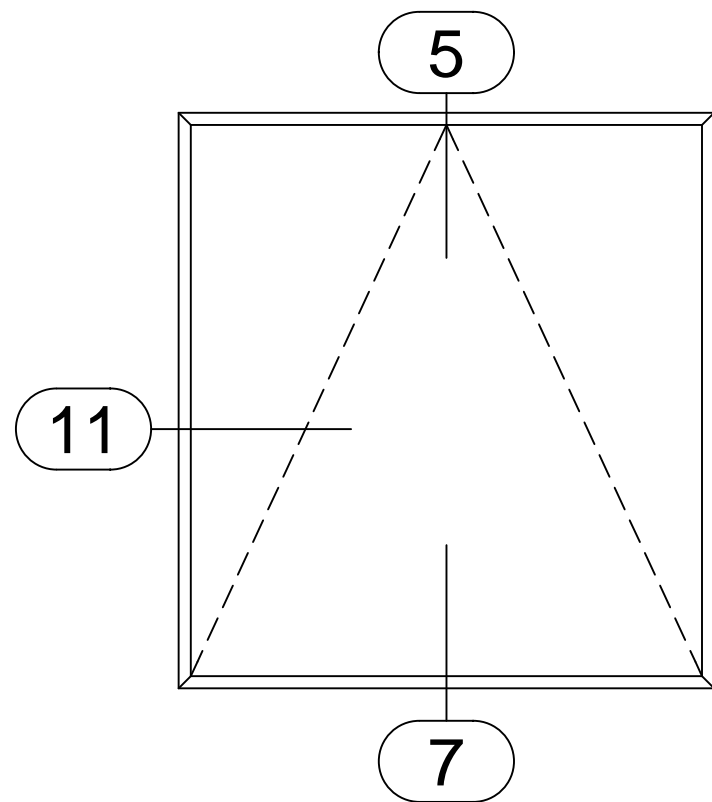
# ZS-2750 BlastMax™

ATSM F 1642 - No Hazard

UFC 4-010-01 - Level of Protection -  
Medium

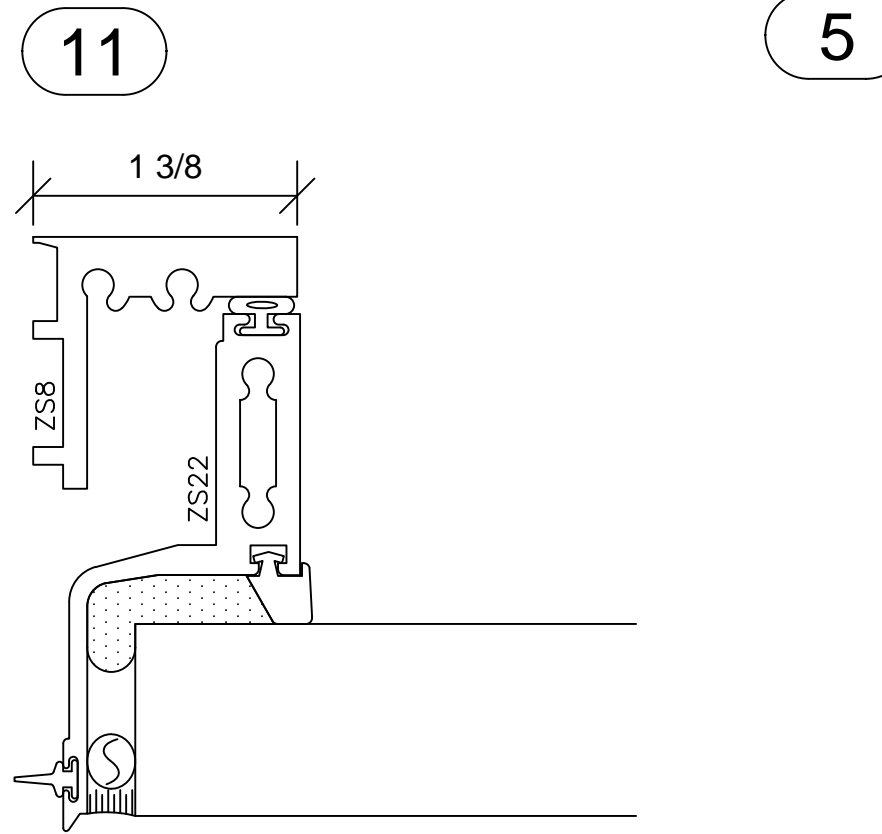
GSA Performace Condition - 2

Blast Load - 6psi - 41psi-msec



OP001

-OUTWARD PROJECTED-



5

7

