

ZS-2750 BlastMax™

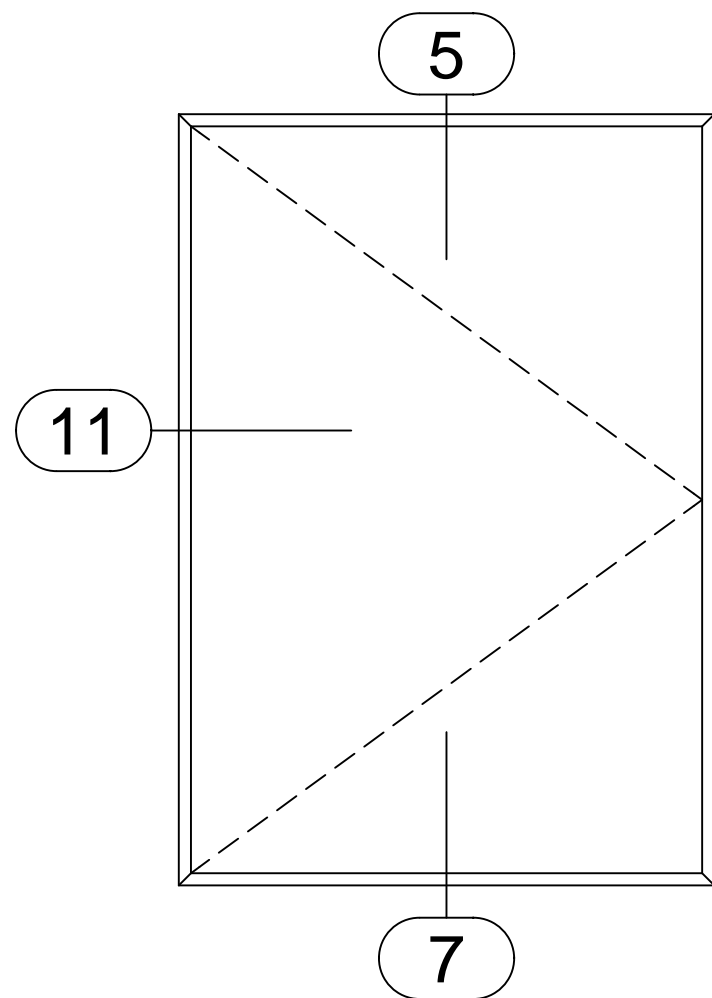
ATSM F 1642 - No Hazard

UFC 4-010-01 - Level of Protection -
Medium

GSA Performance Condition - 2

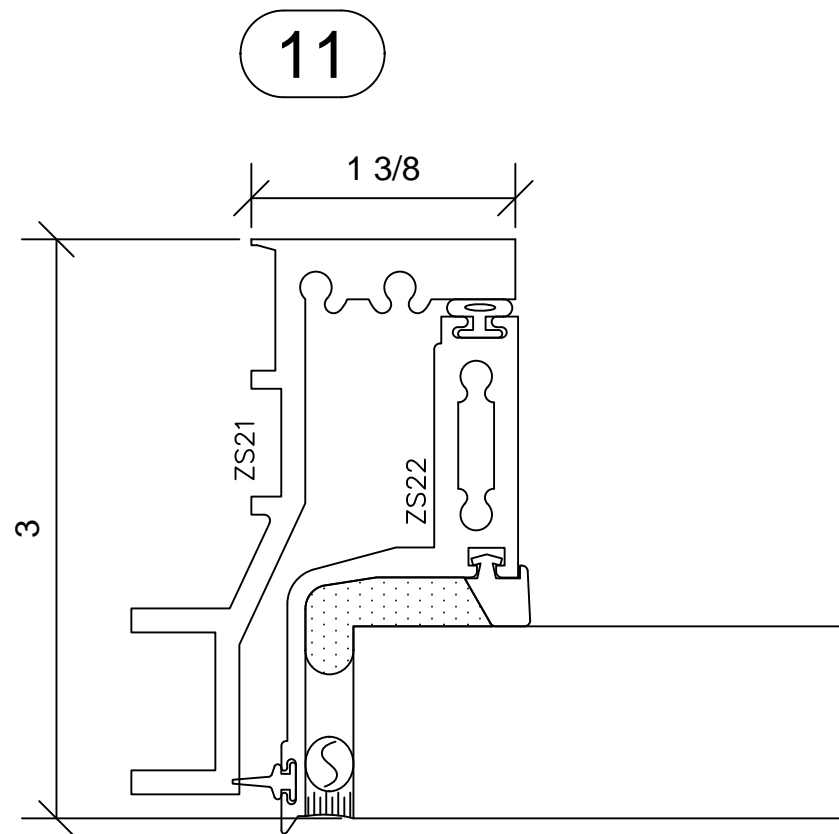
Blast Load - 6psi - 41psi-msec

Pocket Glaze

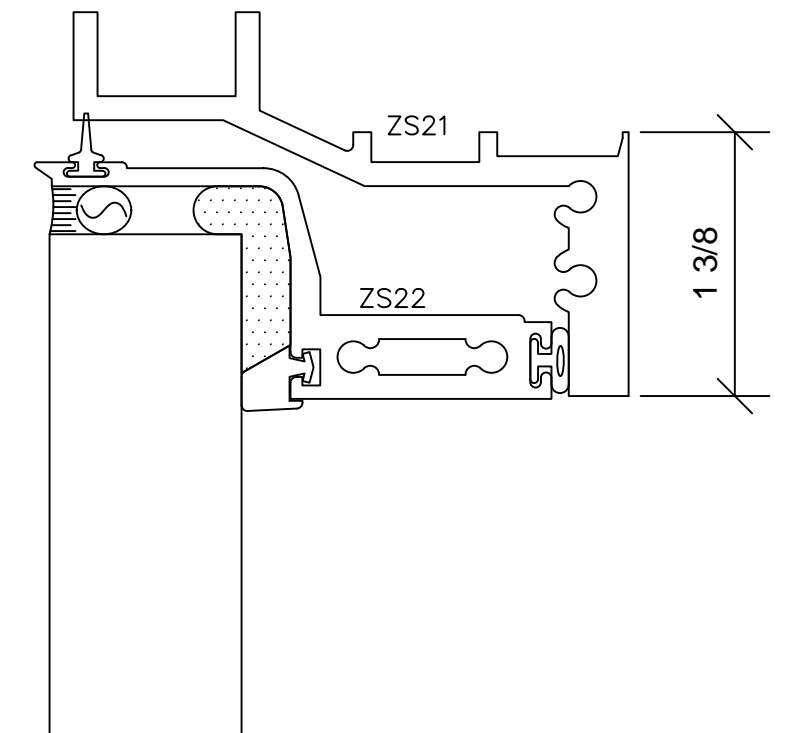


OC001

-OUTSWINGING CASEMENT-



5



7

