

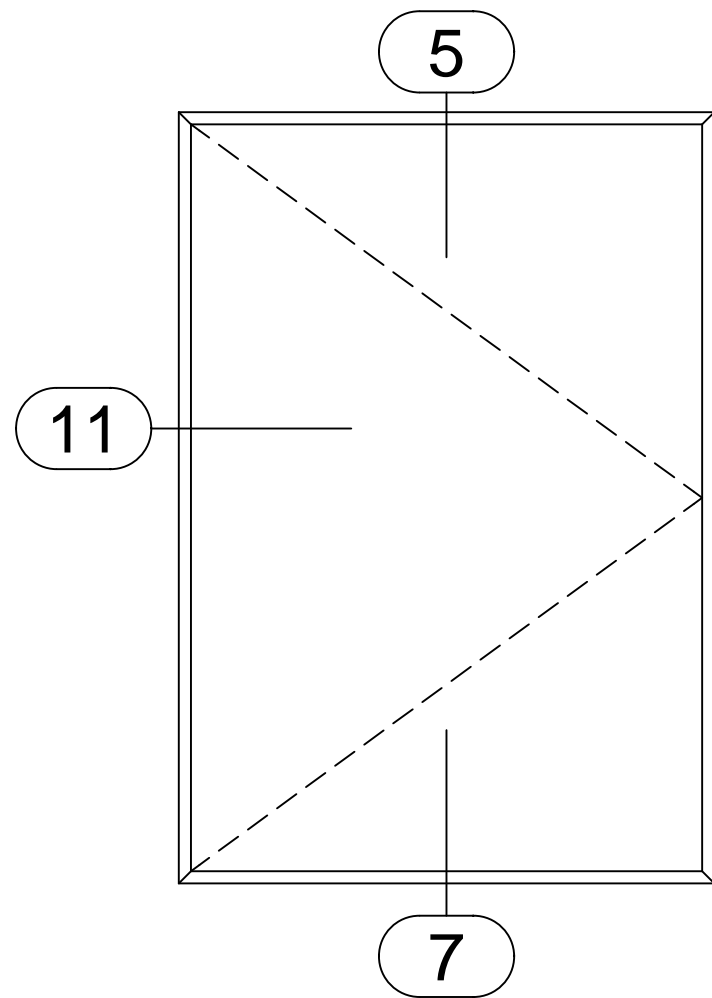
ZS-2750 BlastMax™

ATSM F 1642 - No Hazard

UFC 4-010-01 - Level of Protection -
Medium

GSA Performance Condition - 2

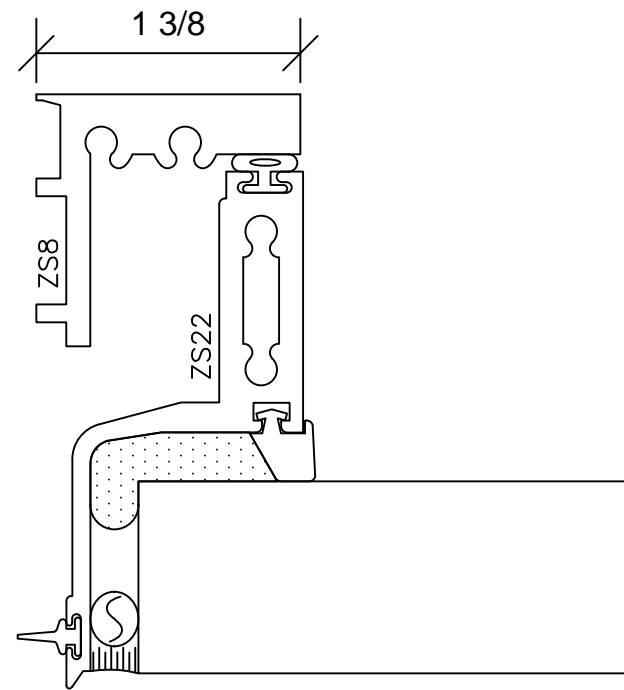
Blast Load - 6psi - 41psi-msec



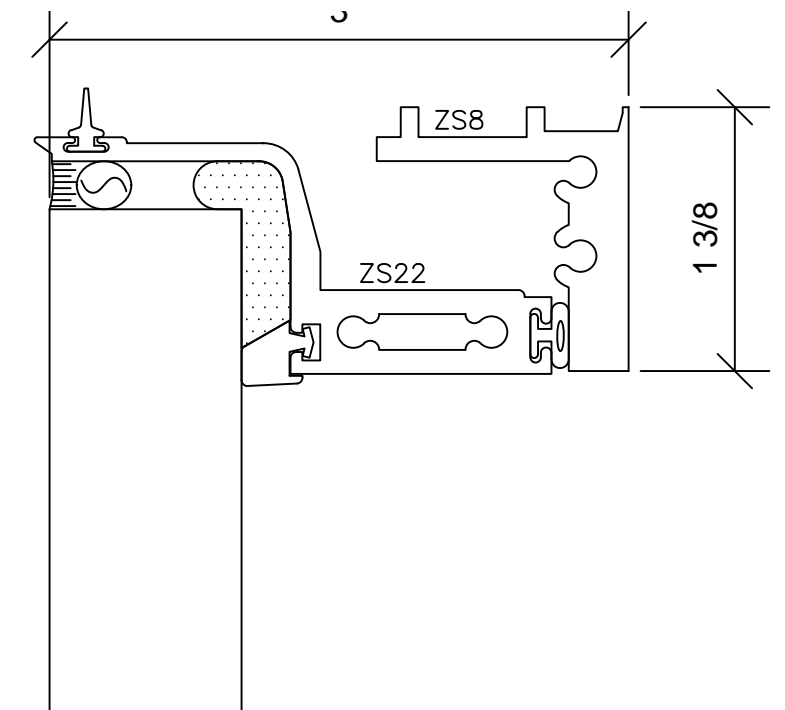
OC001

-OUTSWINGING CASEMENT-

11



5



7

