

Oldcastle BuildingEnvelope®

1-866-Oldcastle (653-2278) - www.obe.com

TCR-250 THERMAL COMPOSITE WINDOW WALL 2-1/2" X 6" W/ 1" GLAZING - TABLE OF CONTENTS

(Drawing numbers---i.e., V7651---used as CAD detail reference only)

Elevation - TCR250-600in-Wall

Horizontal Details

H7651	Head
H7652	Head Option
H7653	Head-Reglaze
H7655	Intermediate Horizontal
H7656	Horizontal-Reglaze
H7657	Sill

Vertical Details

V7651	Jamb Vertical
V7652	Typical Vertical
V7653	SSG Vertical

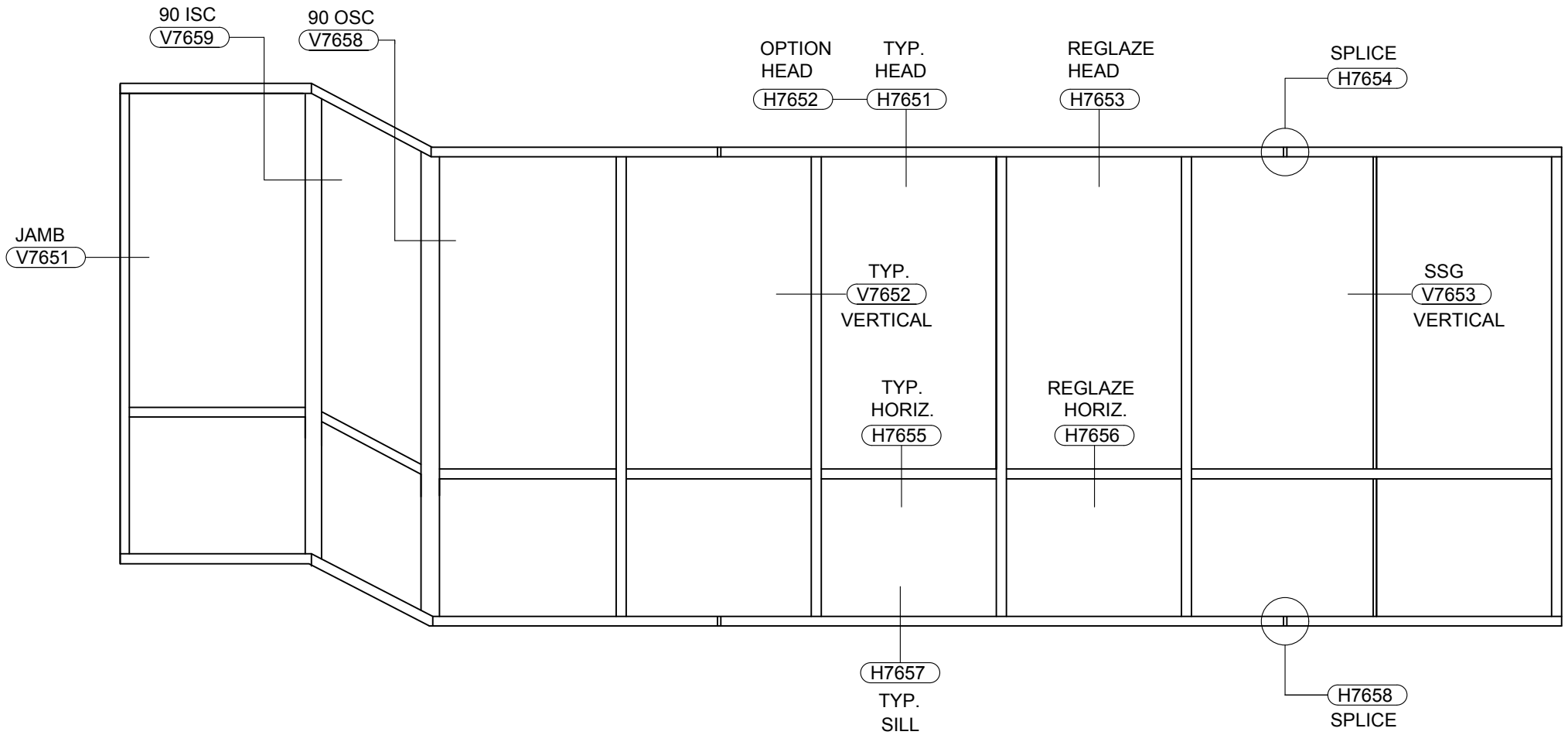
Corner Details

V7658	90° Outside Corner
V7659	90° Inside Corner

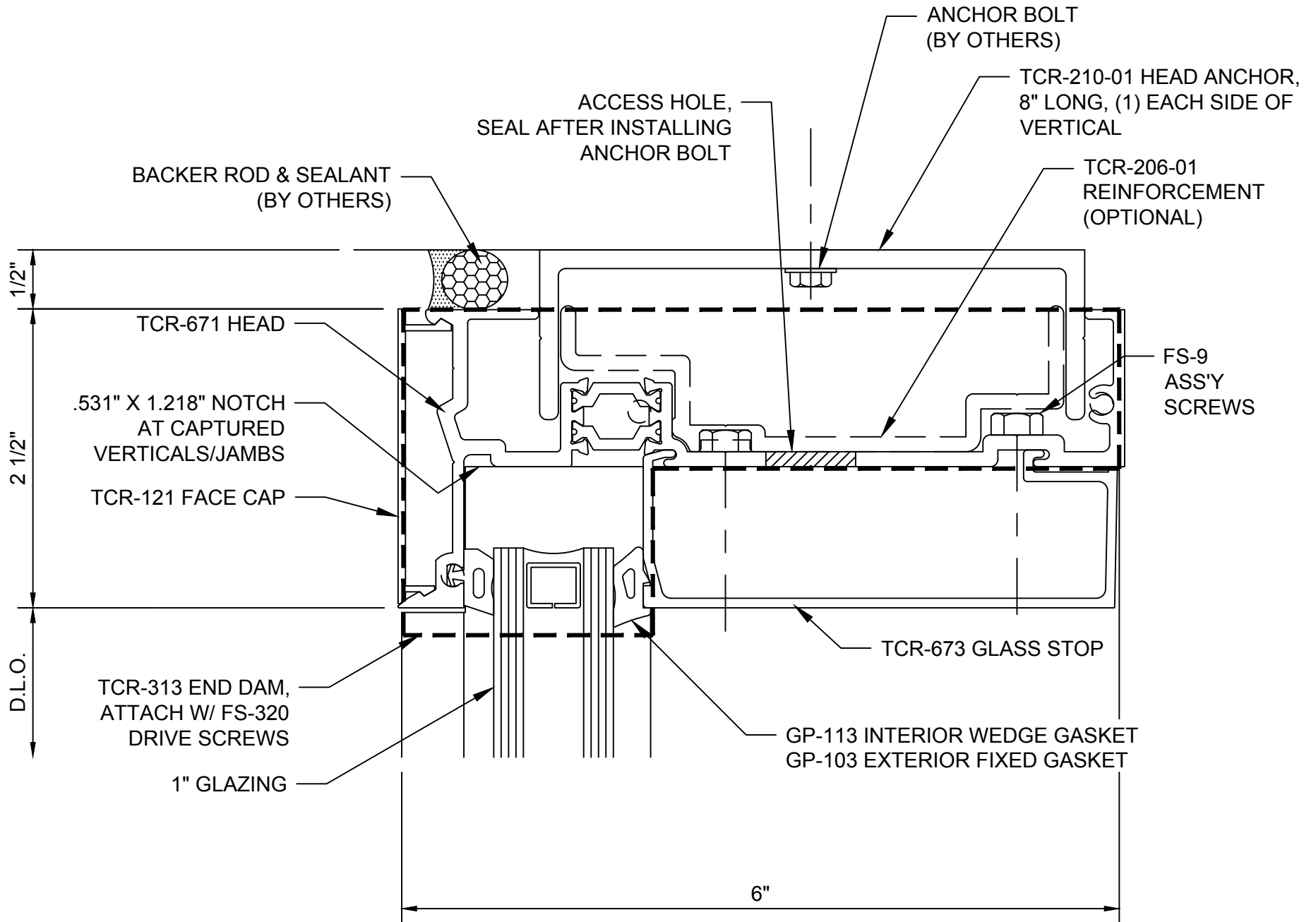
Misc. Details

H7654	Head Splice
H7658	Sill Splice

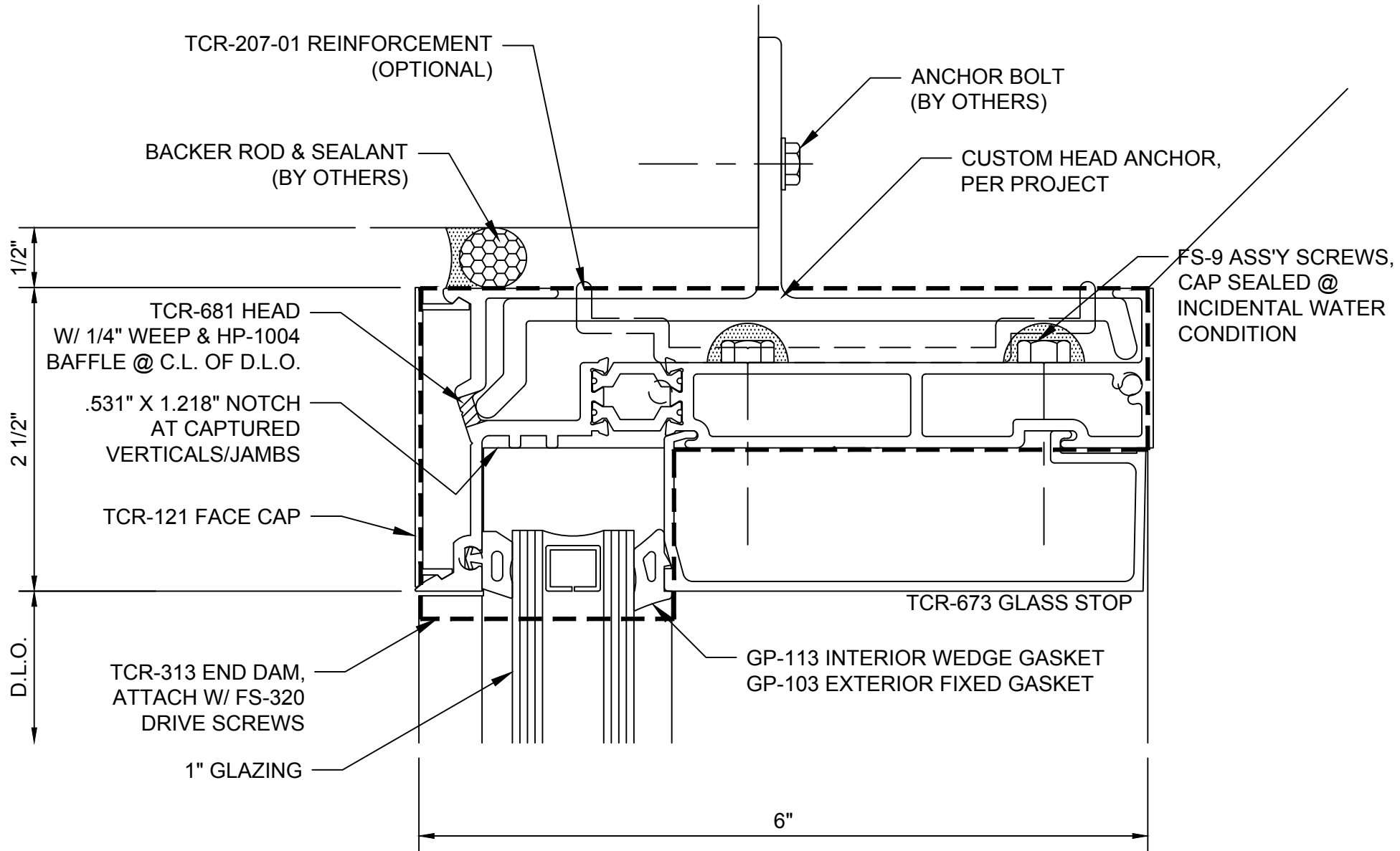
Table of Contents



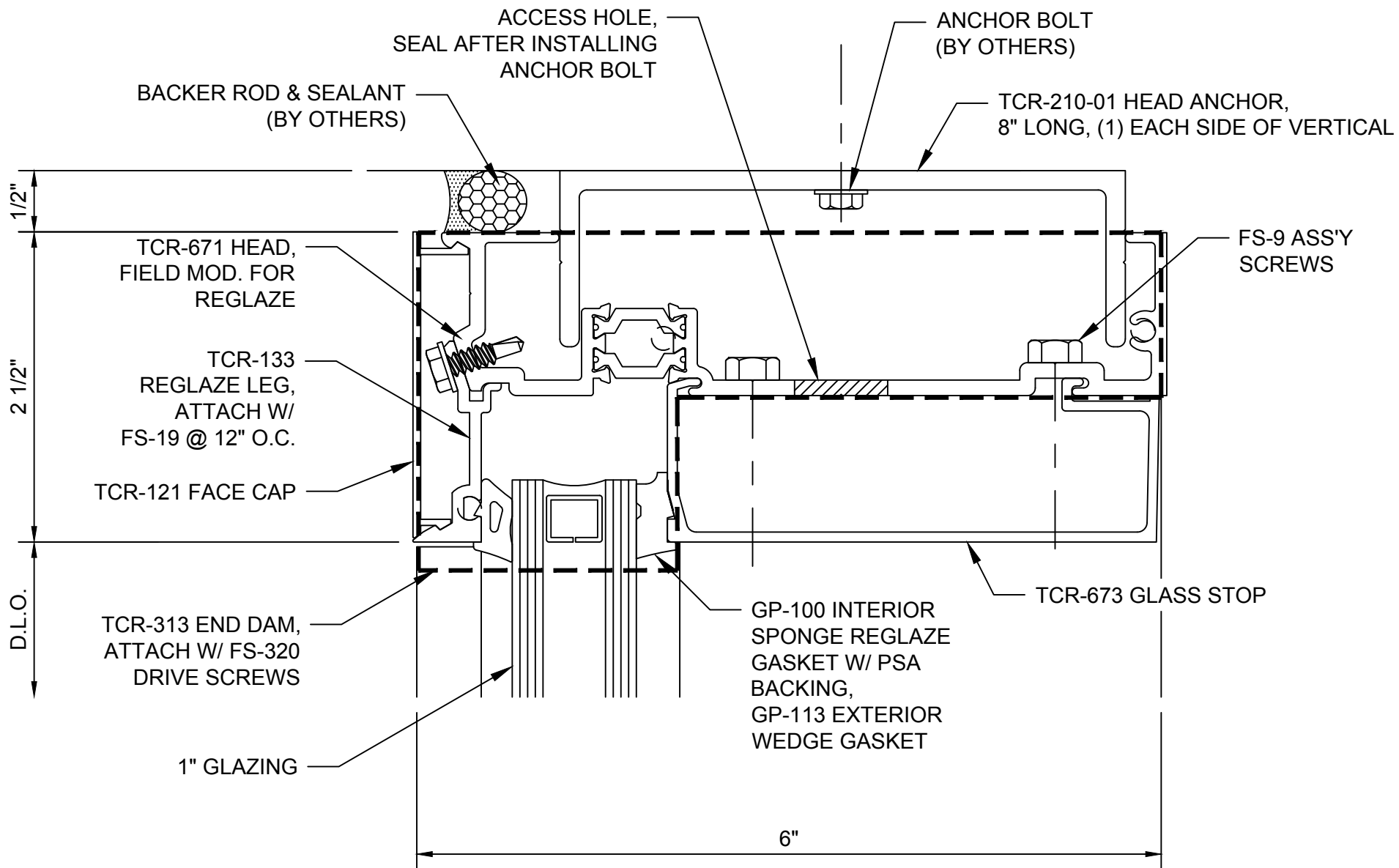
TCR-250 Thermal Composite Window Wall
2-1/2" x 6" w/ 1" Glazing - Elevation



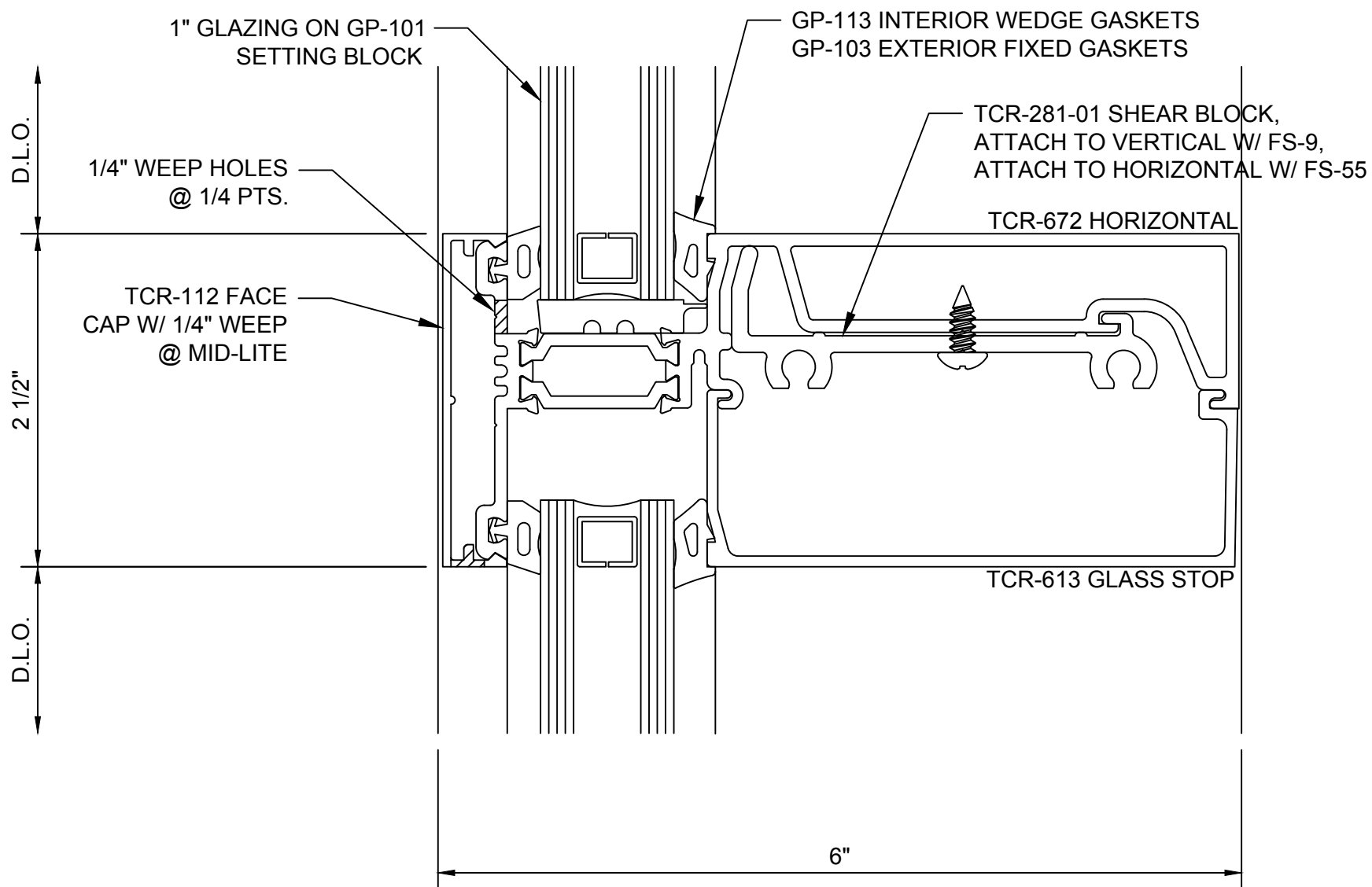
TCR-250
Head - H7651



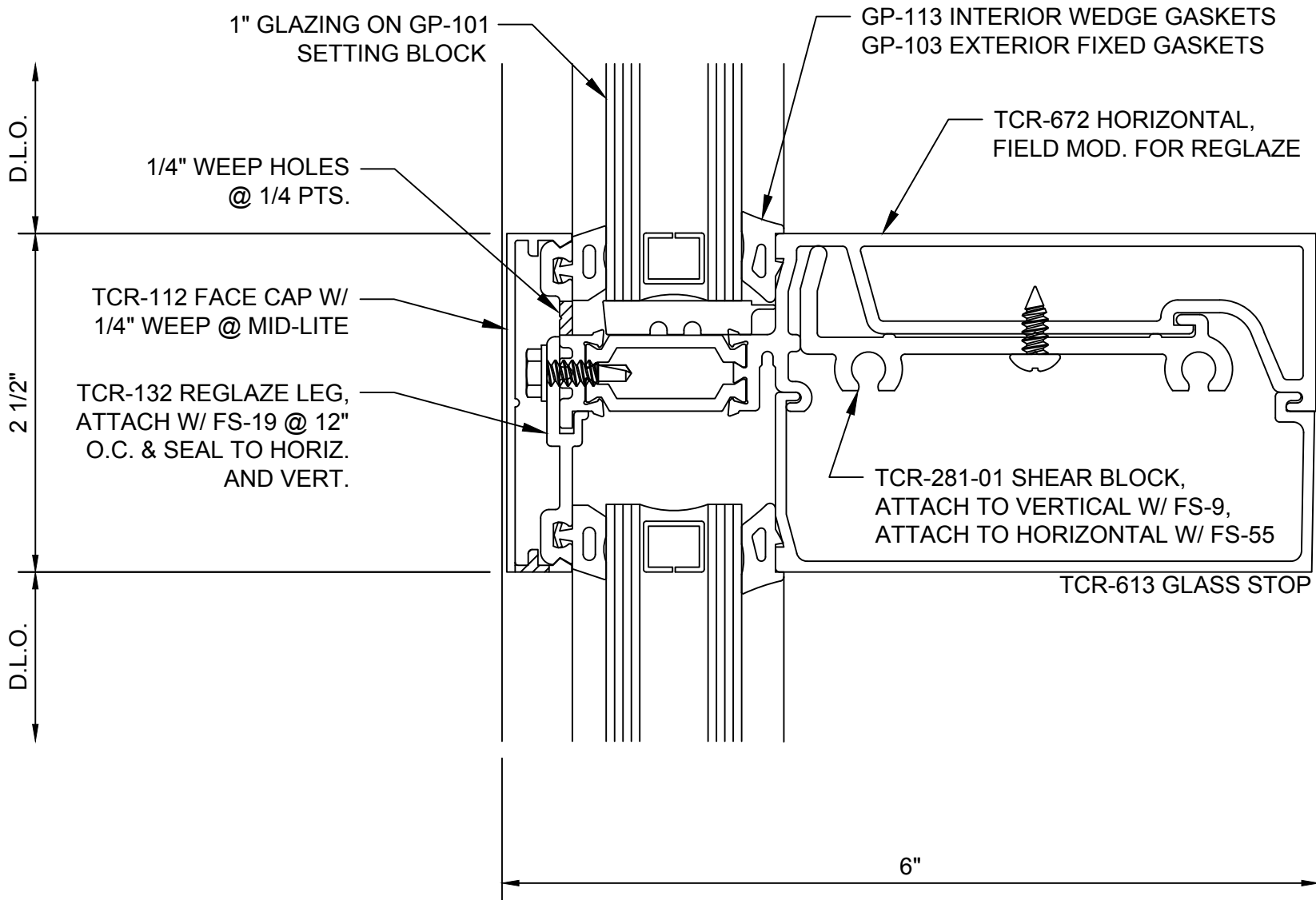
TCR-250
Head Option - H7652



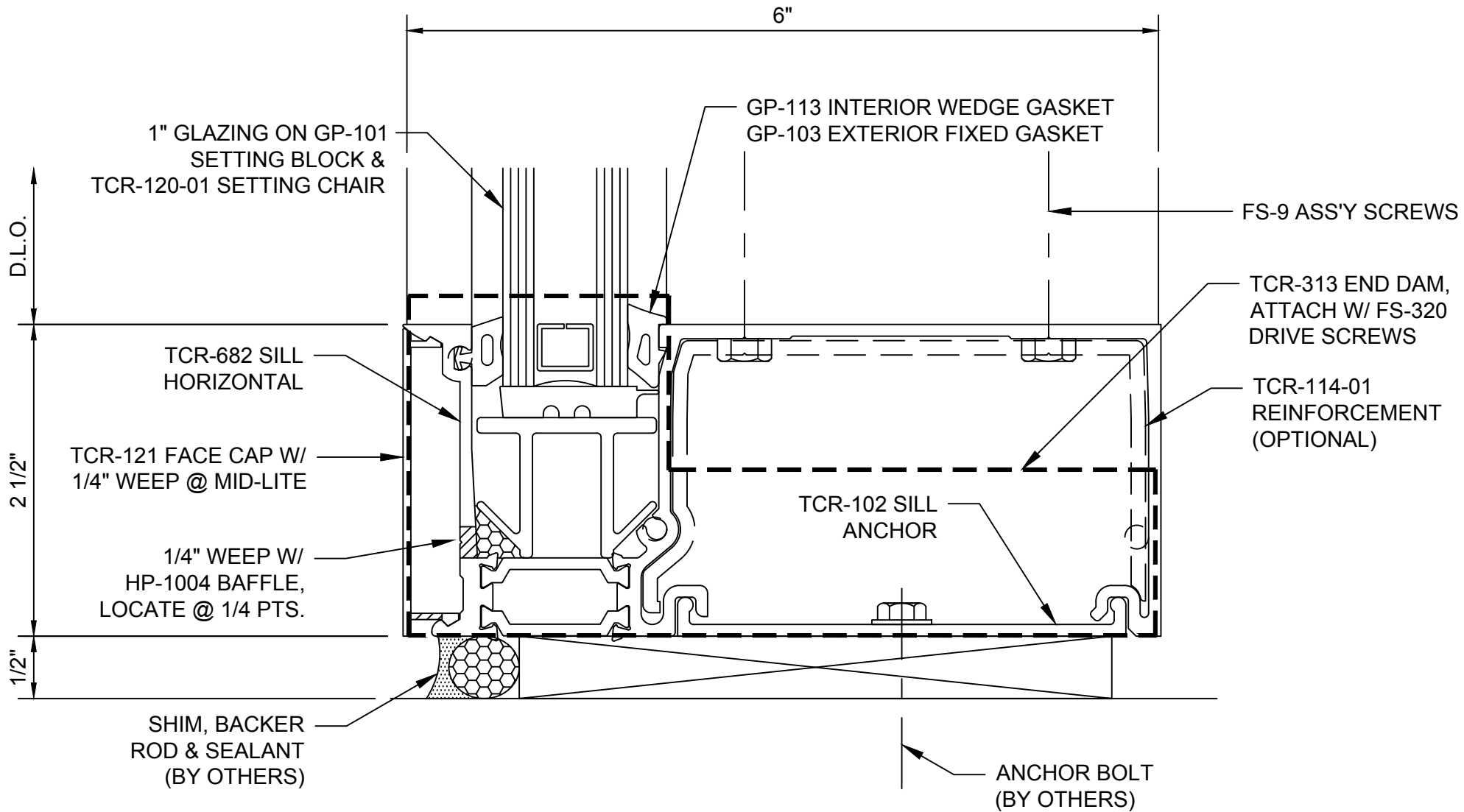
TCR-250
Reglazed Head - H7653



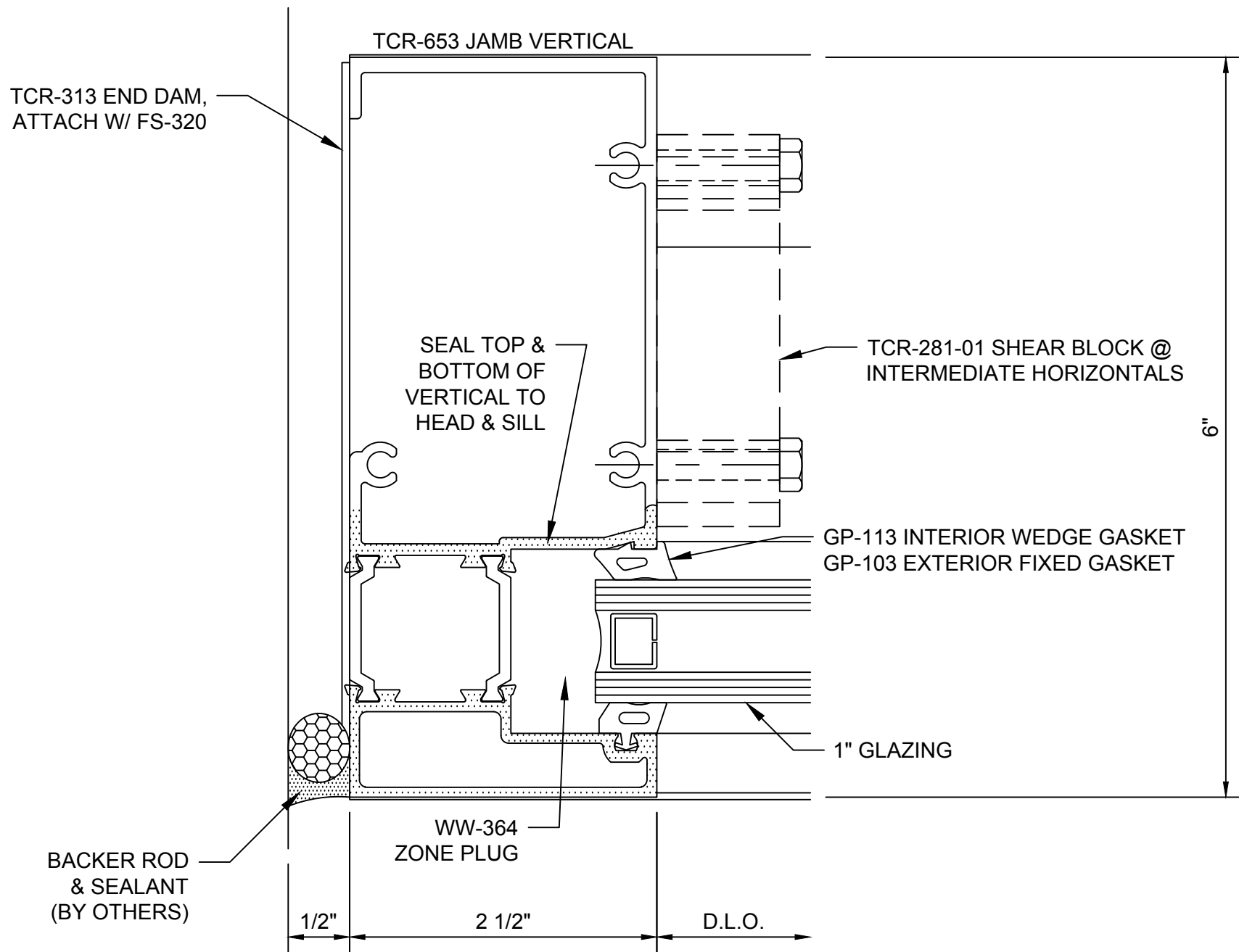
TCR-250
Intermediate Horizontal - H7655



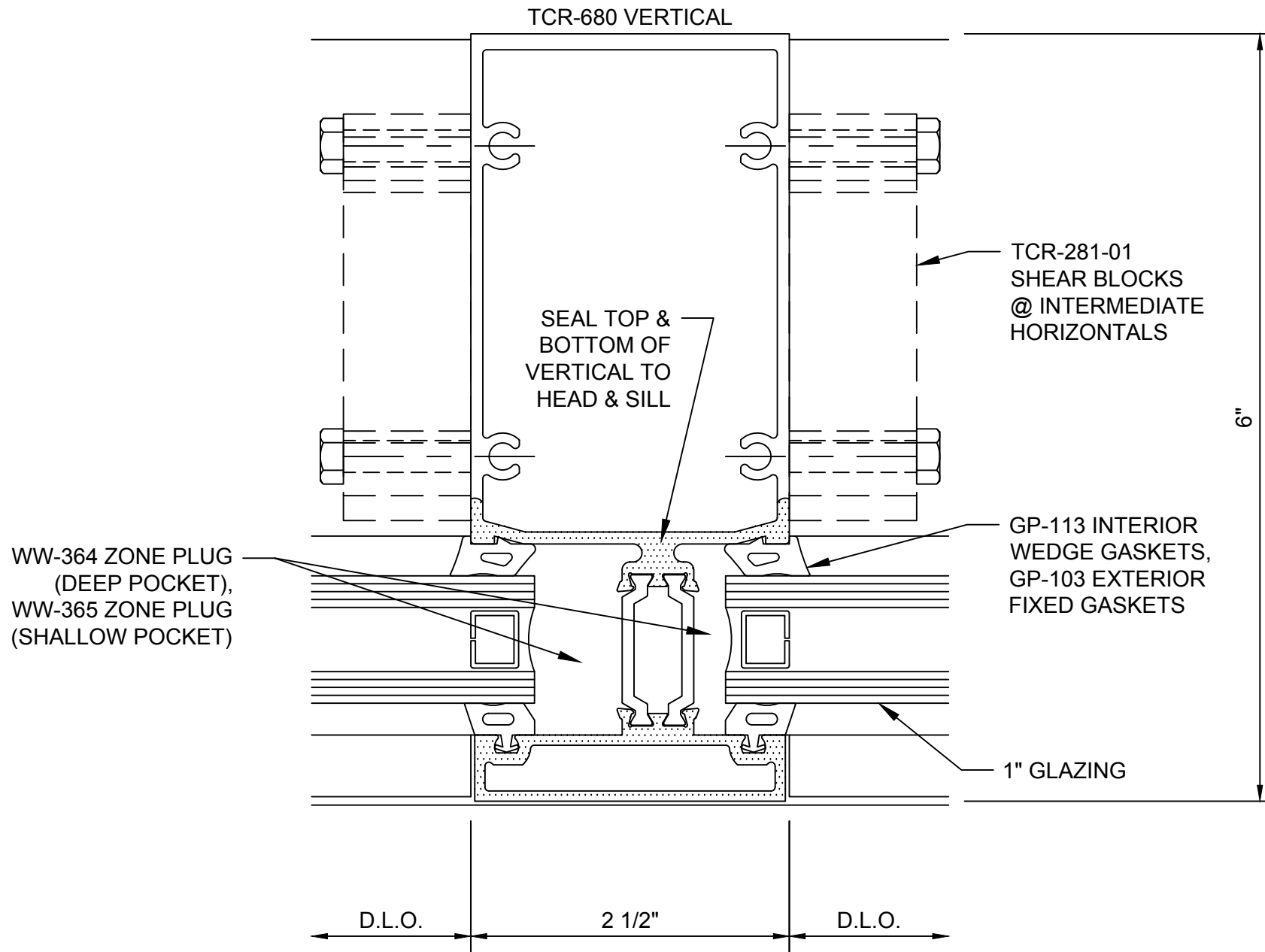
TCR-250
Reglazed Intermediate Horizontal - H7656



TCR-250
Sill - H7657

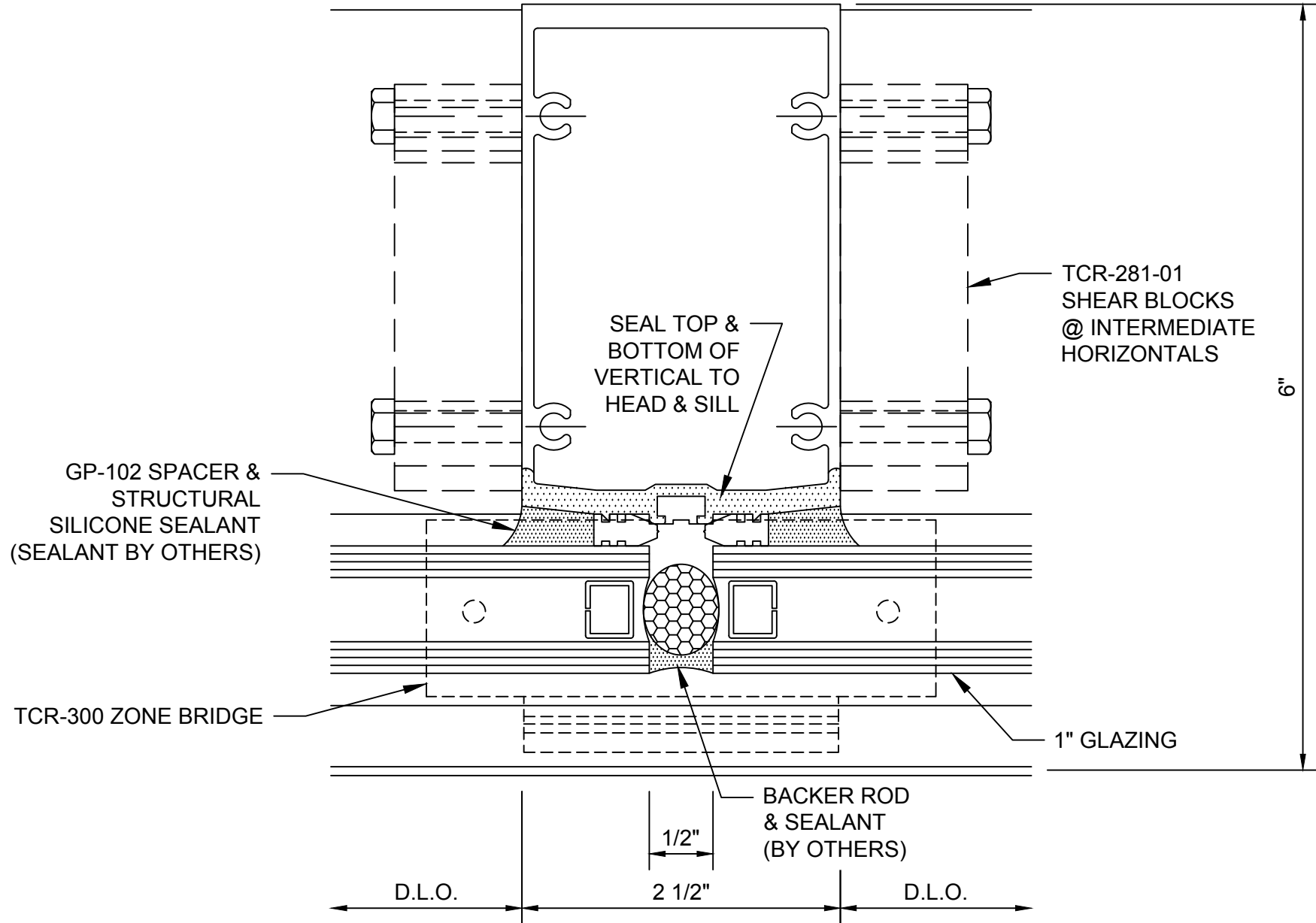


TCR-250
Jamb - V7651

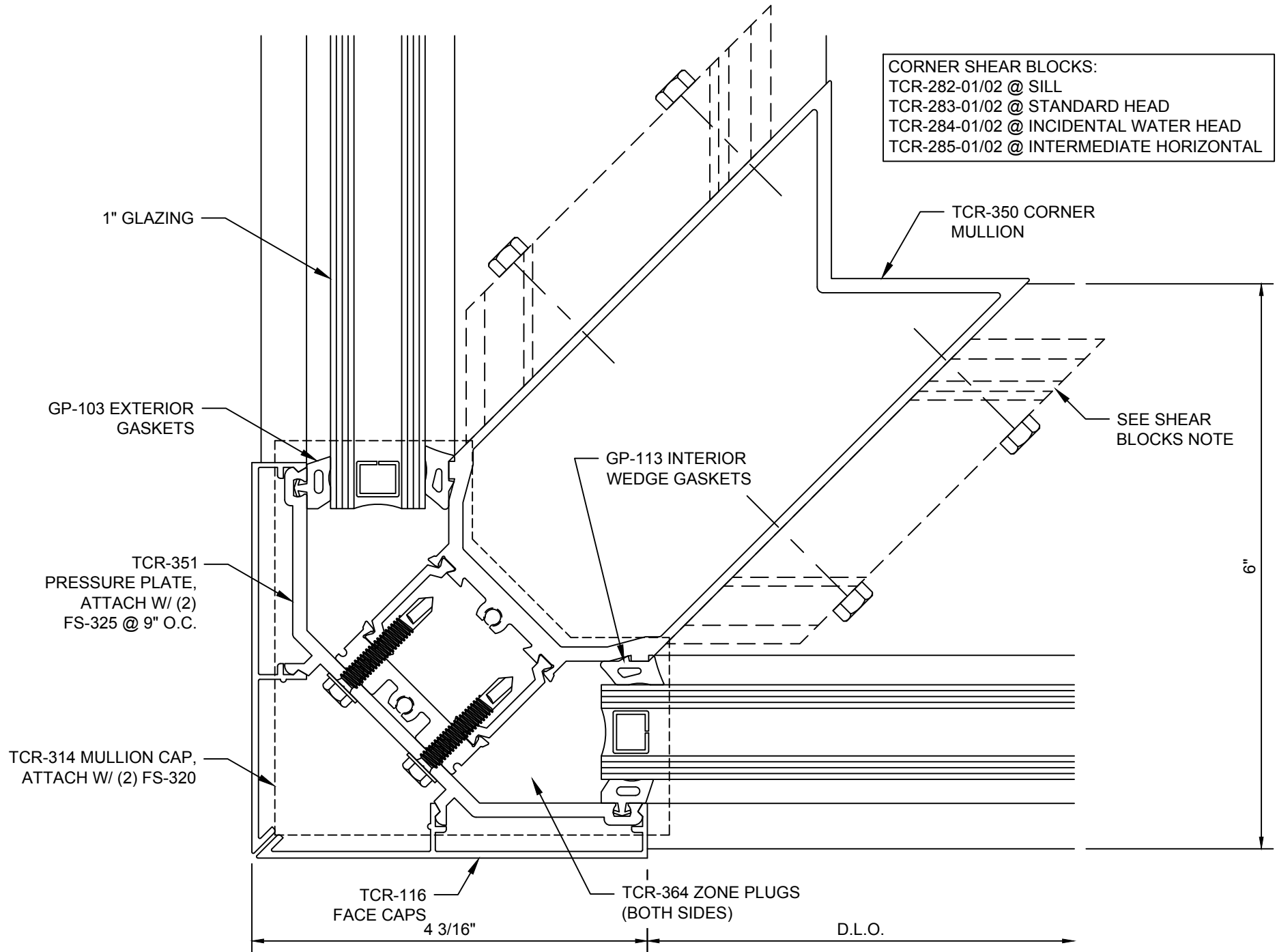


TCR-250
Typical Vertical - V7652

TCR-654 SSG VERTICAL



TCR-250
SSG Vertical - V7653



CORNER SHEAR BLOCKS:
 TCR-282-01/02 @ SILL
 TCR-283-01/02 @ STANDARD HEAD
 TCR-284-01/02 @ INCIDENTAL WATER HEAD
 TCR-285-01/02 @ INTERMEDIATE HORIZONTAL

1" GLAZING

TCR-350 CORNER MULLION

GP-103 EXTERIOR GASKETS

SEE SHEAR BLOCKS NOTE

GP-113 INTERIOR WEDGE GASKETS

TCR-351 PRESSURE PLATE, ATTACH W/ (2) FS-325 @ 9" O.C.

6"

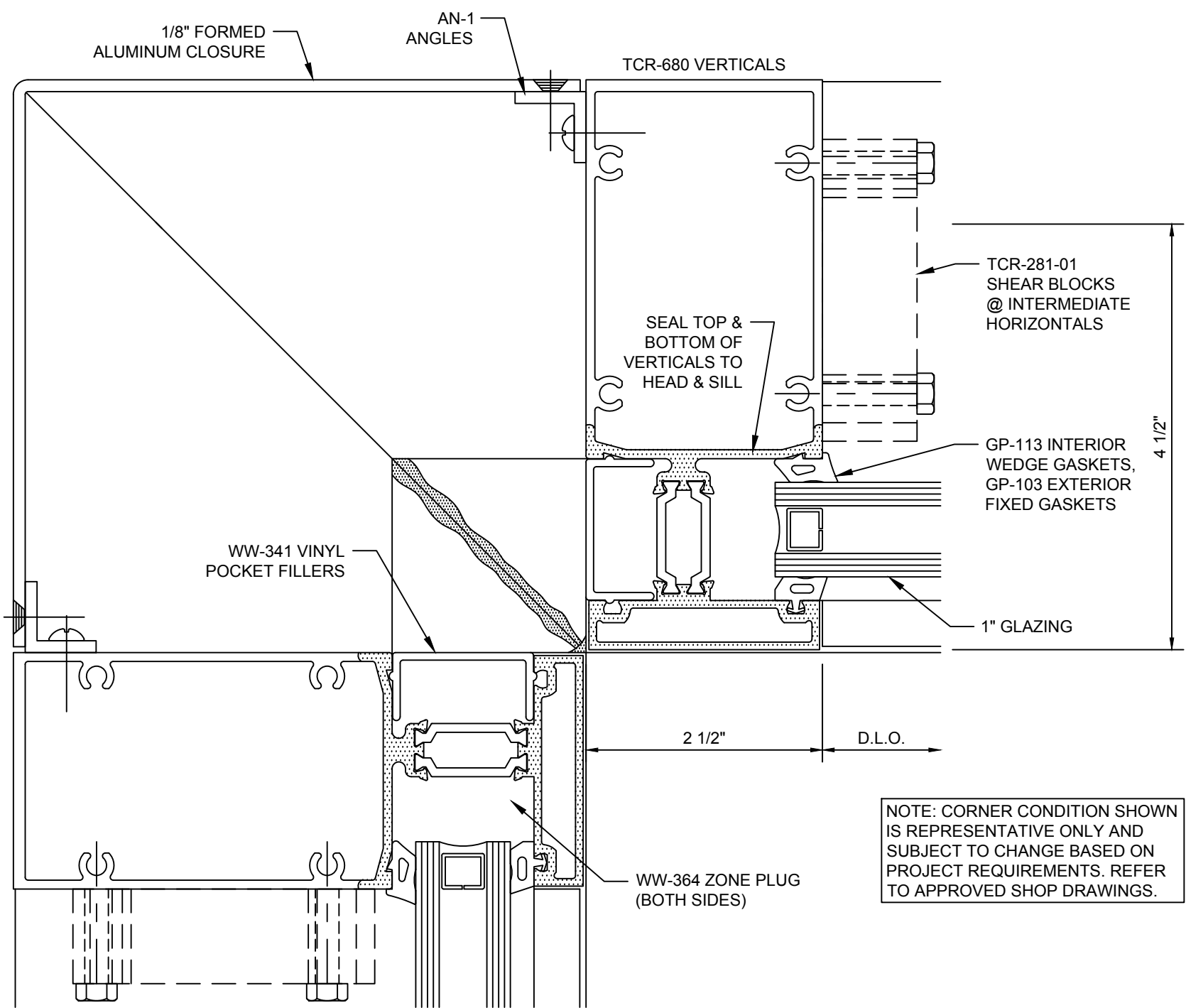
TCR-314 MULLION CAP, ATTACH W/ (2) FS-320

TCR-116 FACE CAPS 4 3/16"

TCR-364 ZONE PLUGS (BOTH SIDES)

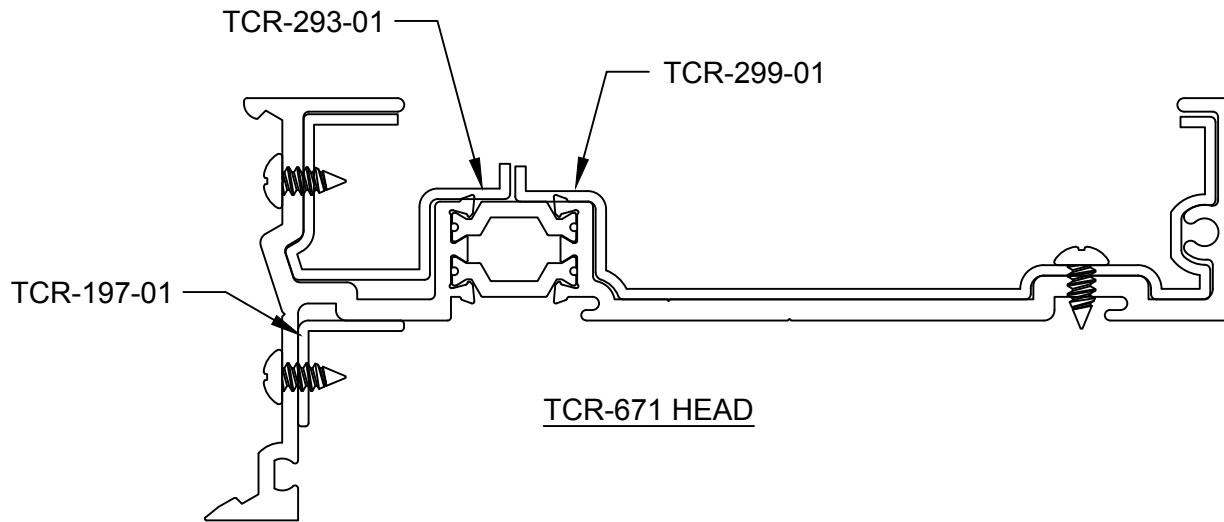
D.L.O.

TCR-250
90° Outside Corner - V7658

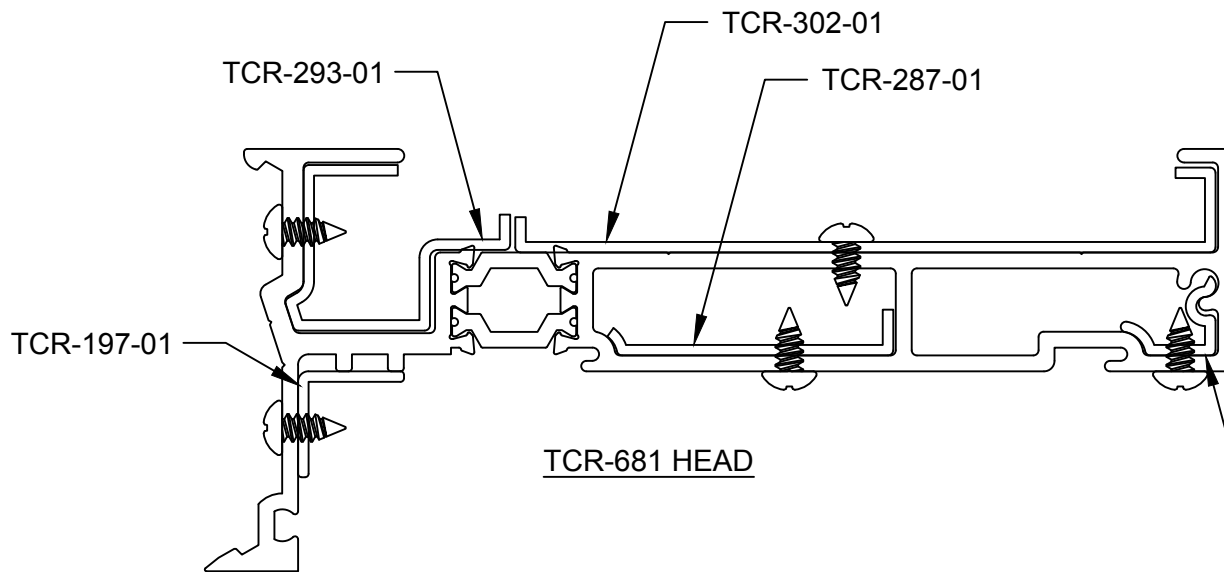


NOTE: CORNER CONDITION SHOWN IS REPRESENTATIVE ONLY AND SUBJECT TO CHANGE BASED ON PROJECT REQUIREMENTS. REFER TO APPROVED SHOP DRAWINGS.

TCR-250
90° Inside Corner - V7659



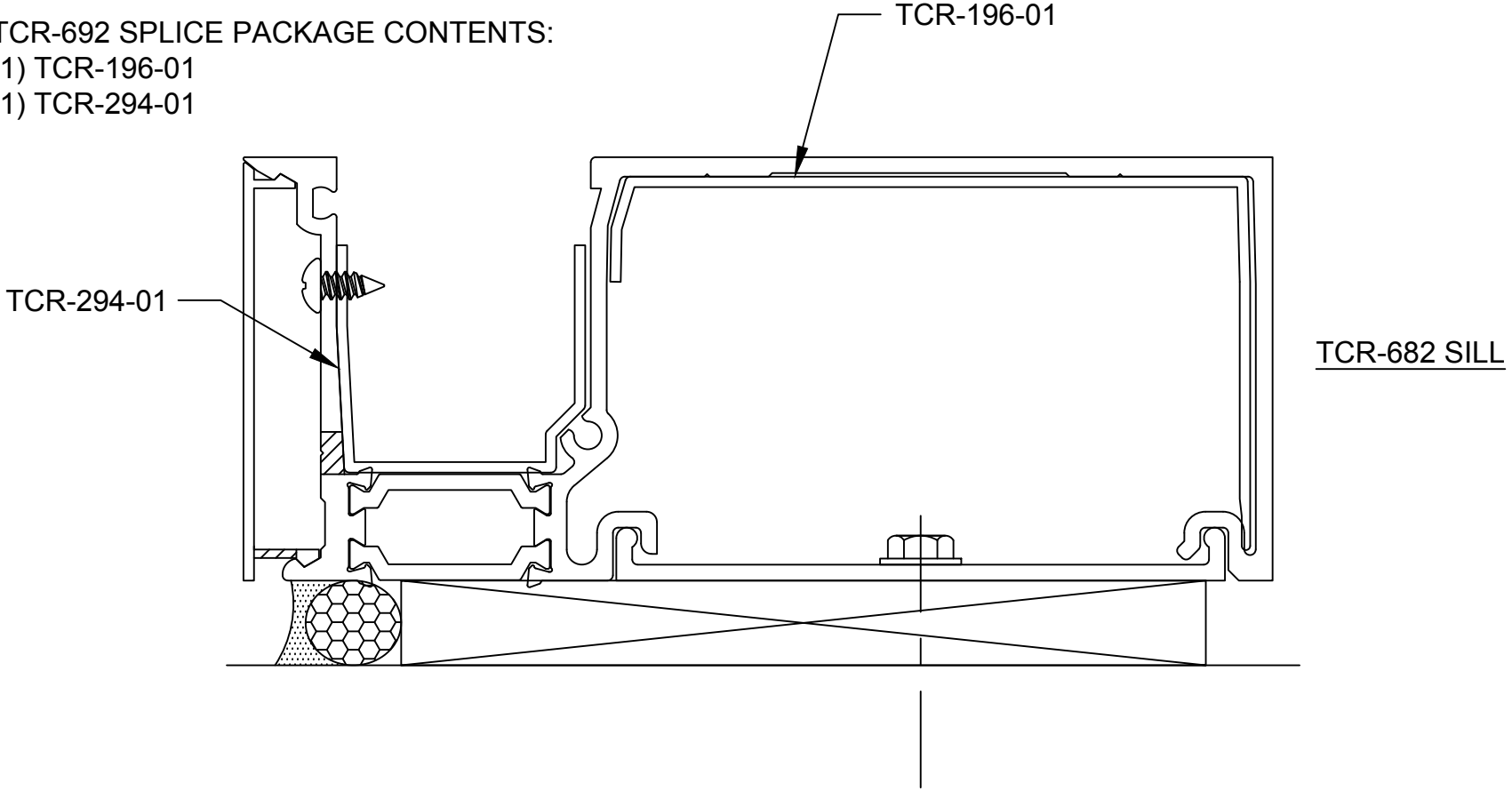
- TCR-690 SPLICE PACKAGE CONTENTS:
- (1) TCR-197-01
 - (1) TCR-293-01
 - (1) TCR-299-01



- TCR-691 SPLICE PACKAGE CONTENTS:
- (1) TCR-197-01
 - (1) TCR-293-01
 - (1) TCR-287-01
 - (1) TCR-298-01
 - (1) TCR-302-01

TCR-250 Head Splicing - H7654

TCR-692 SPLICE PACKAGE CONTENTS:
(1) TCR-196-01
(1) TCR-294-01



TCR-250
Sill Splicing - H7658