

Oldcastle BuildingEnvelope®

1-866-Oldcastle (653-2278) - www.obe.com

TCR-250 THERMAL COMPOSITE WINDOW WALL 2-1/2" X 4-1/2" W/ 1" GLAZING - TABLE OF CONTENTS

(Drawing numbers---i.e., V7601---used as CAD detail reference only)

Elevation - TCR250-450in_Wall

Horizontal Details

H7601	Head
H7602	Head Option
H7603	Head-Reglaze
H7605	Intermediate Horizontal
H7606	Horizontal-Reglaze
H7607	Sill

Vertical Details

V7601	Jamb Vertical
V7602	Typical Vertical
V7603	SSG Vertical

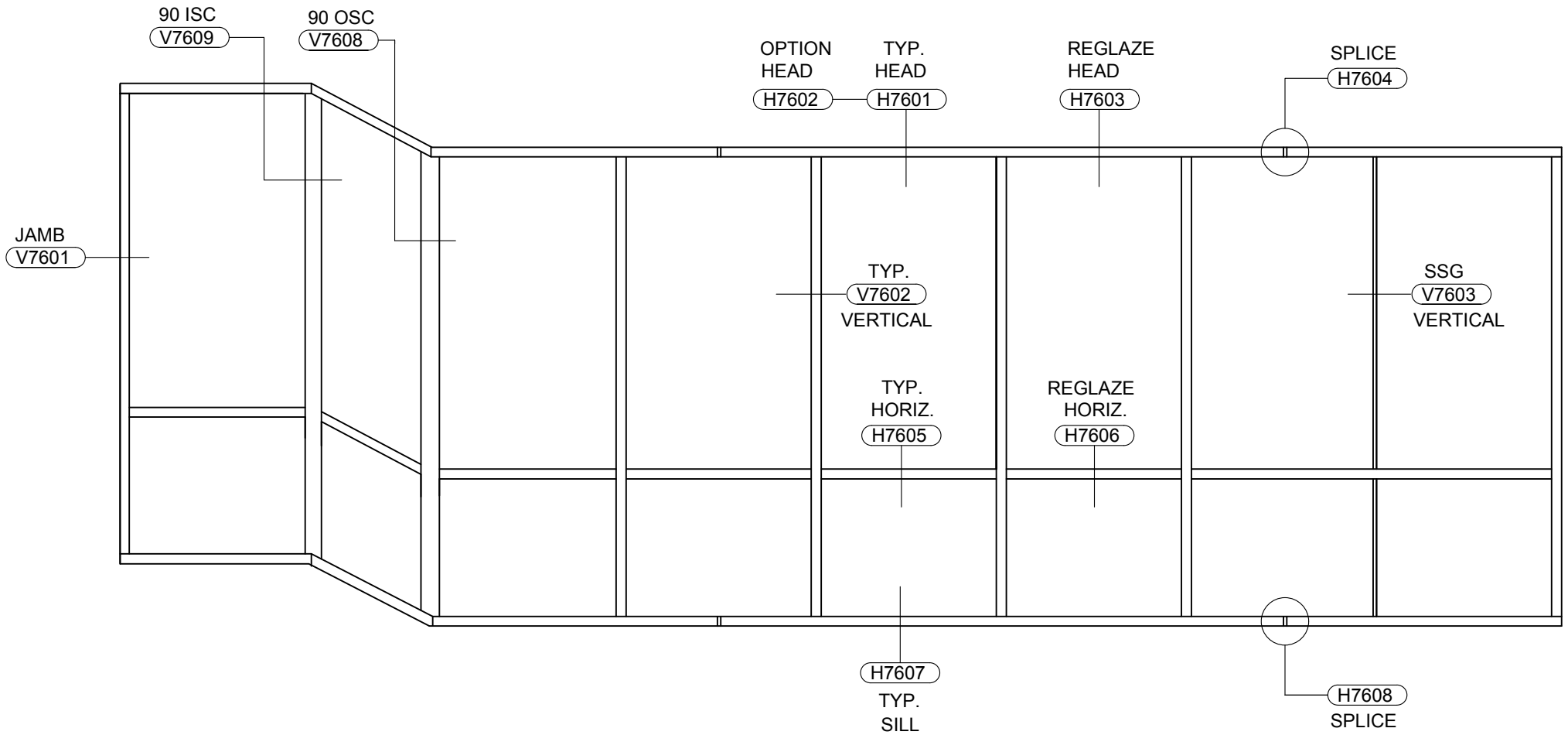
Corner Details

V7608	90° Outside Corner
V7609	90° Inside Corner

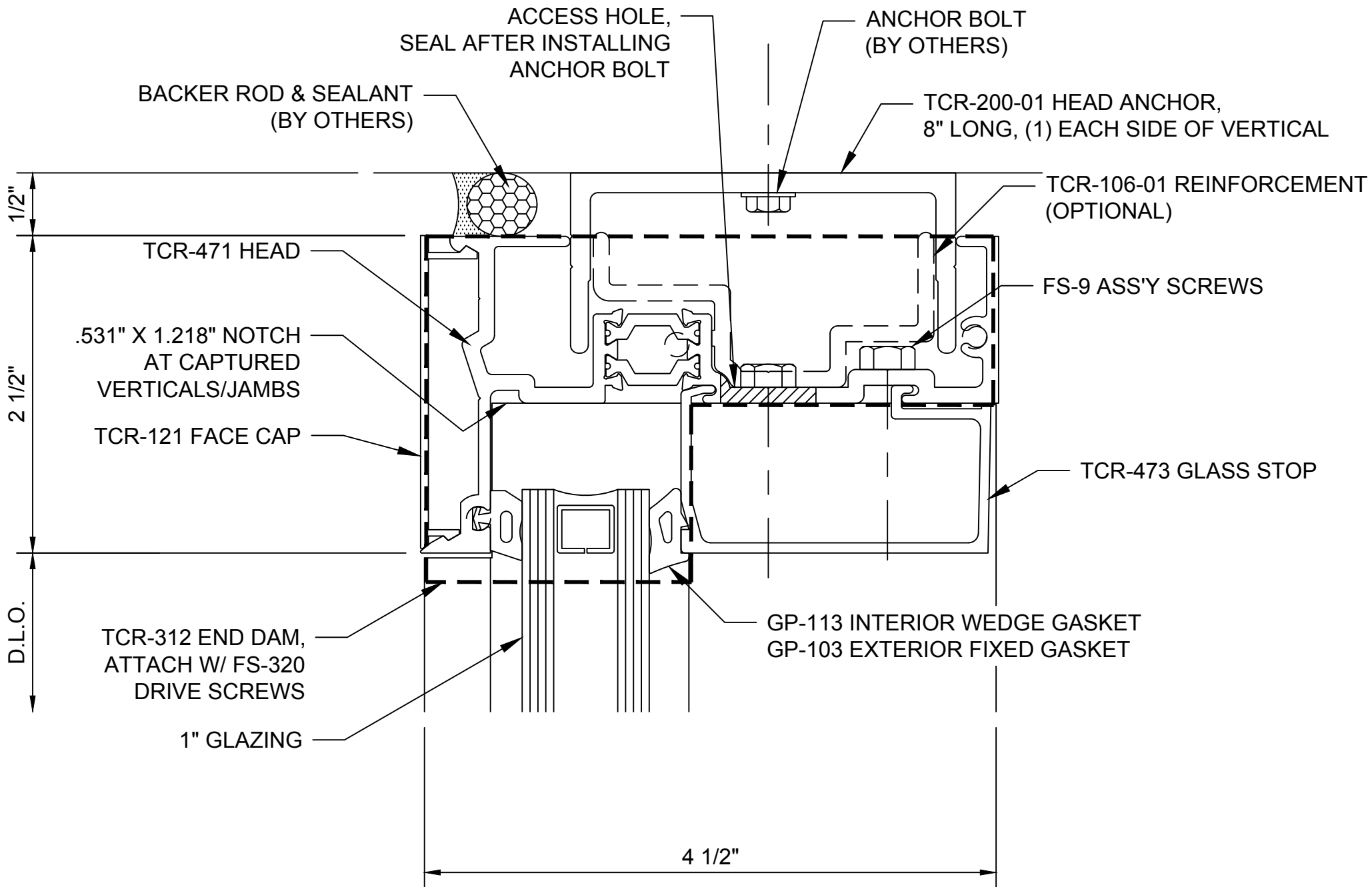
Misc. Details

H7604	Head Splice
H7608	Sill Splice

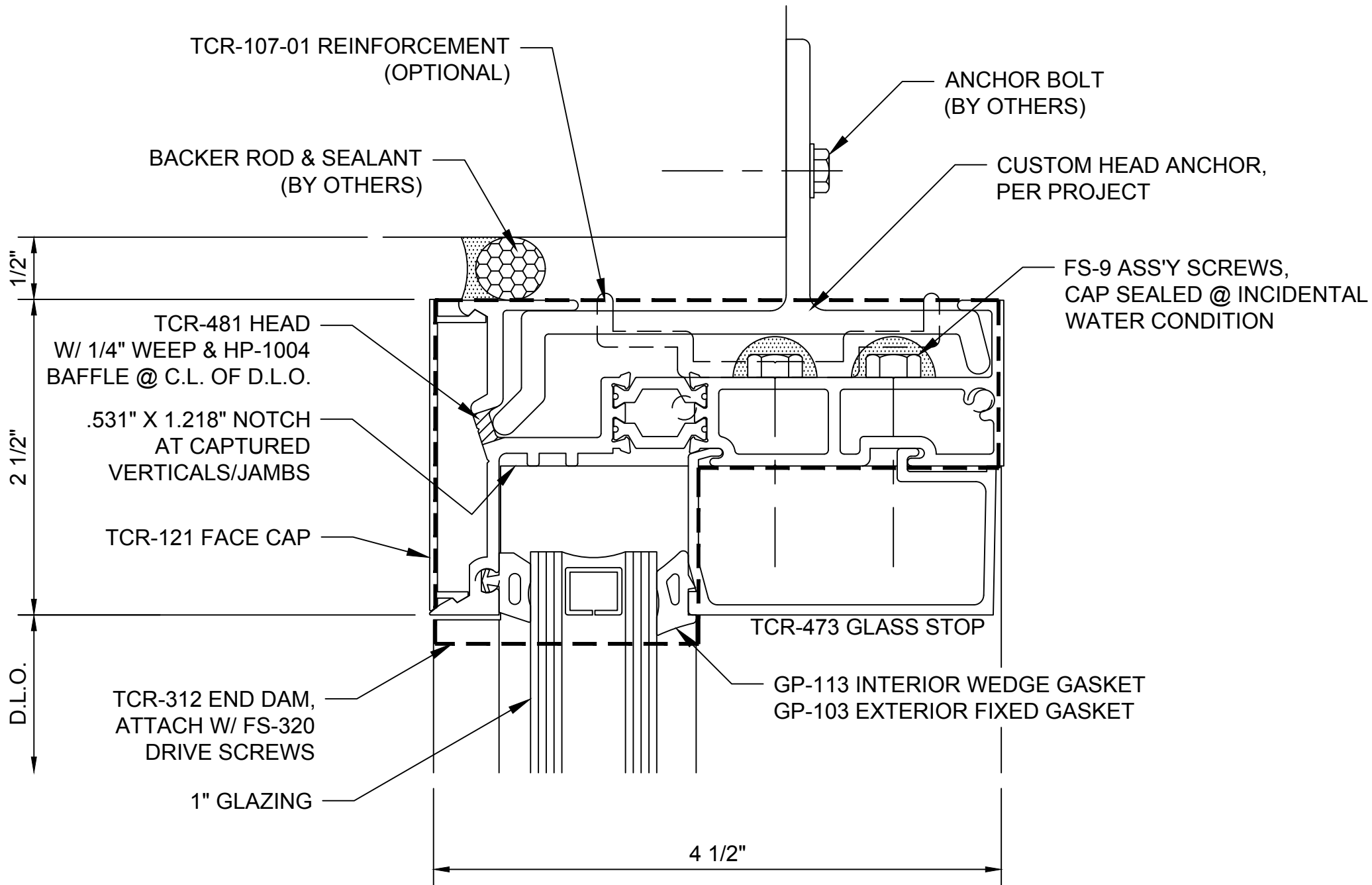
Table of Contents



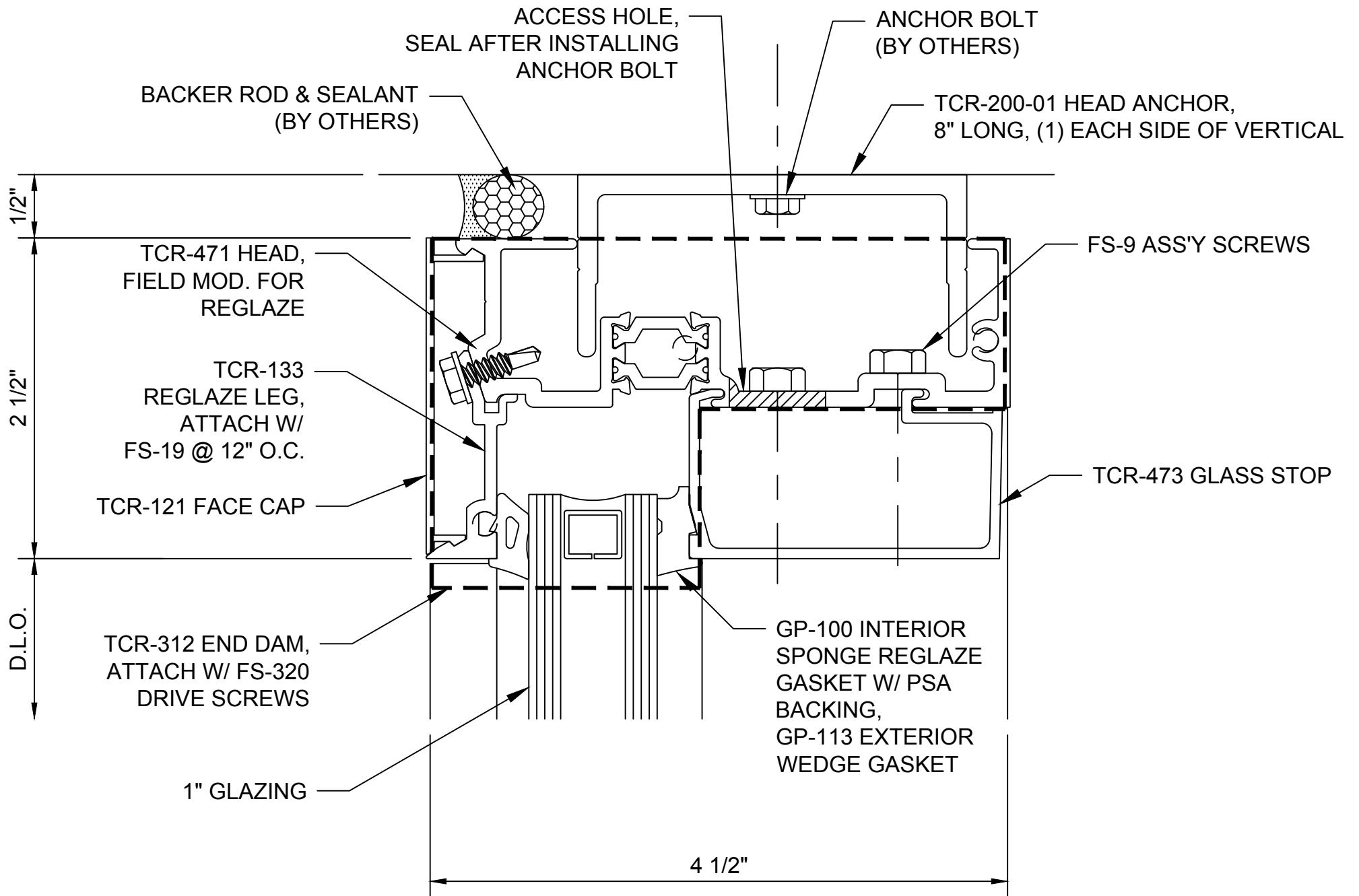
TCR-250 Thermal Composite Window Wall
2-1/2" x 4-1/2" w/ 1" Glazing - Elevation



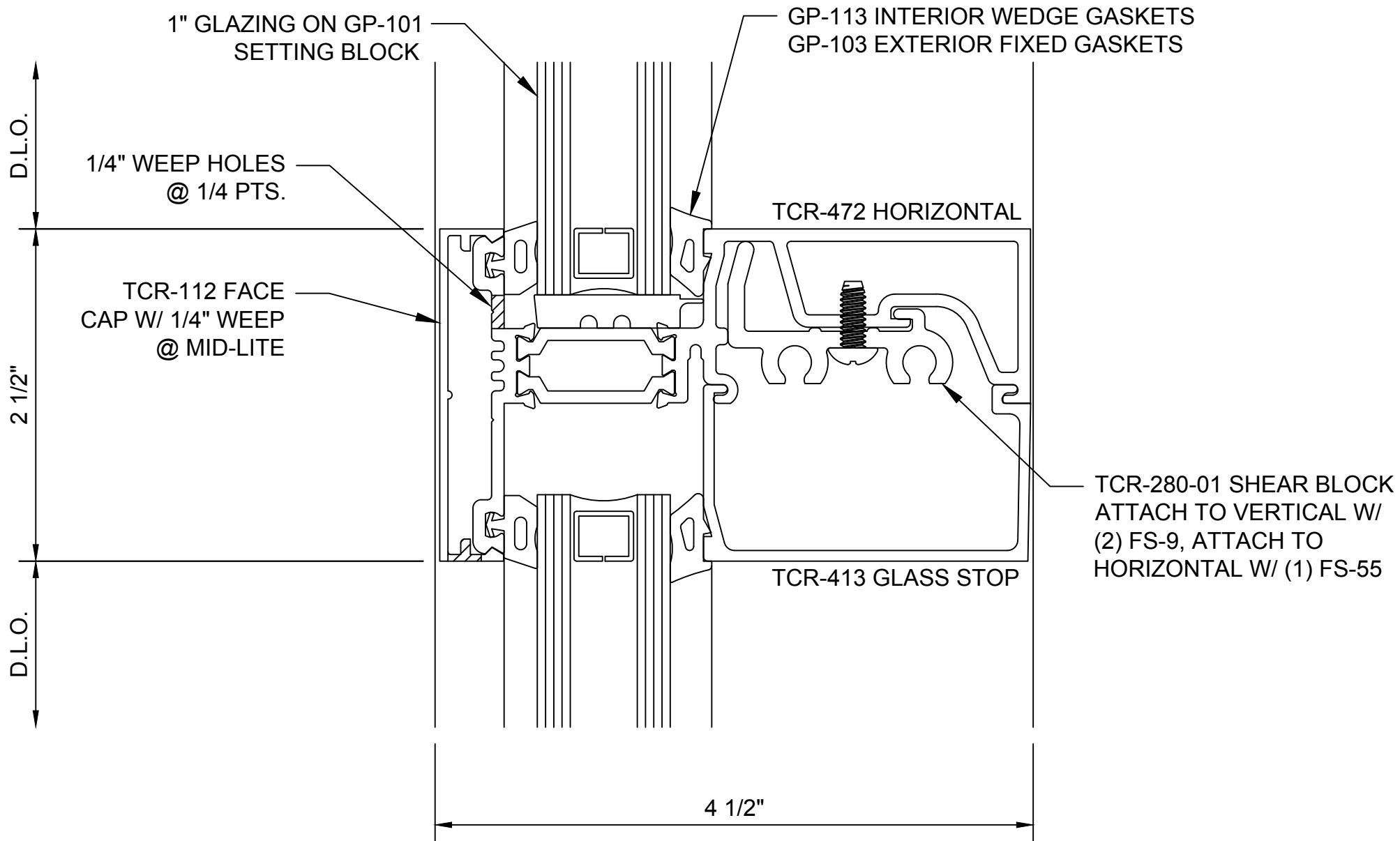
TCR-250
Head - H7601



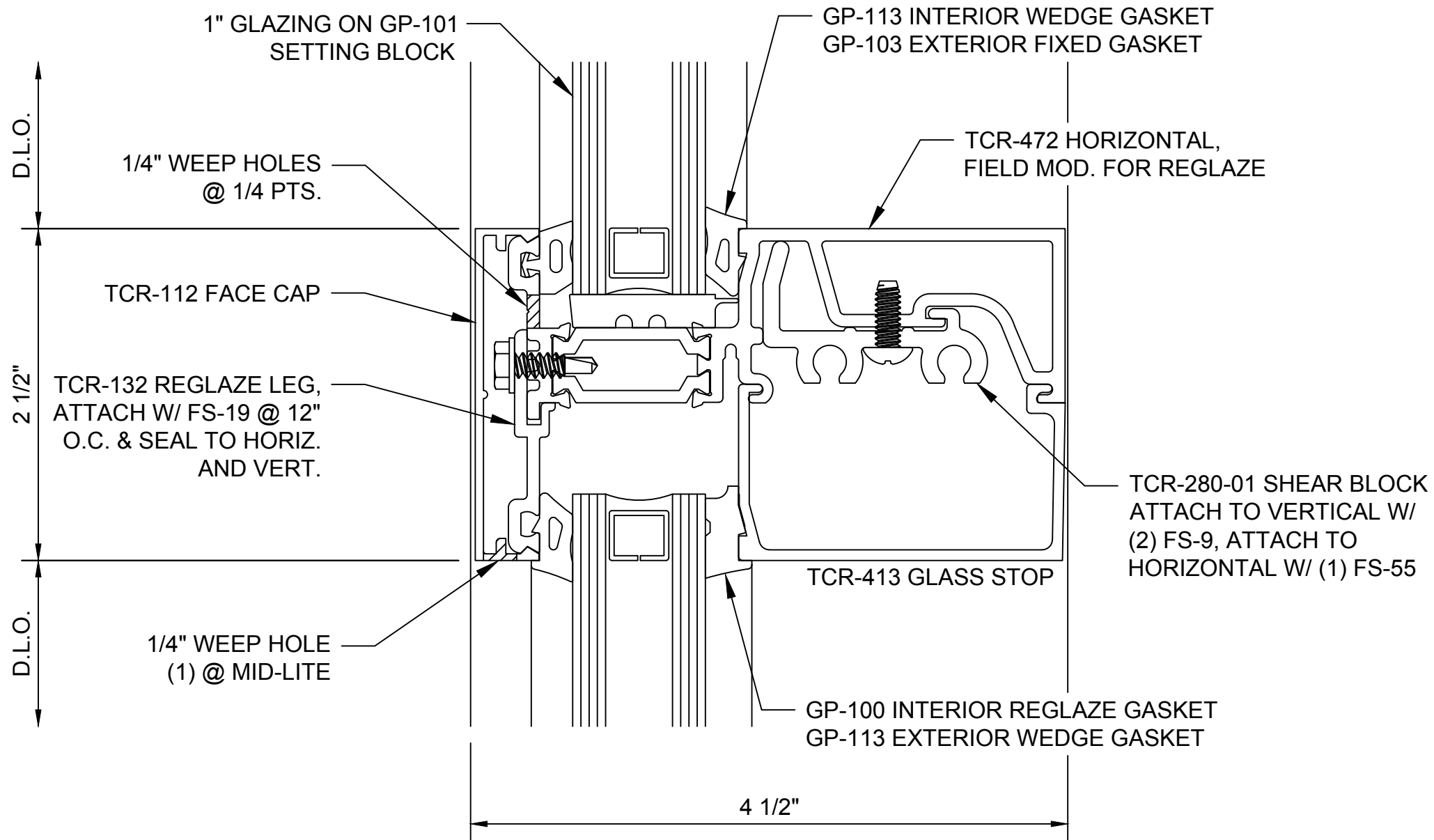
TCR-250
Head Option - H7602



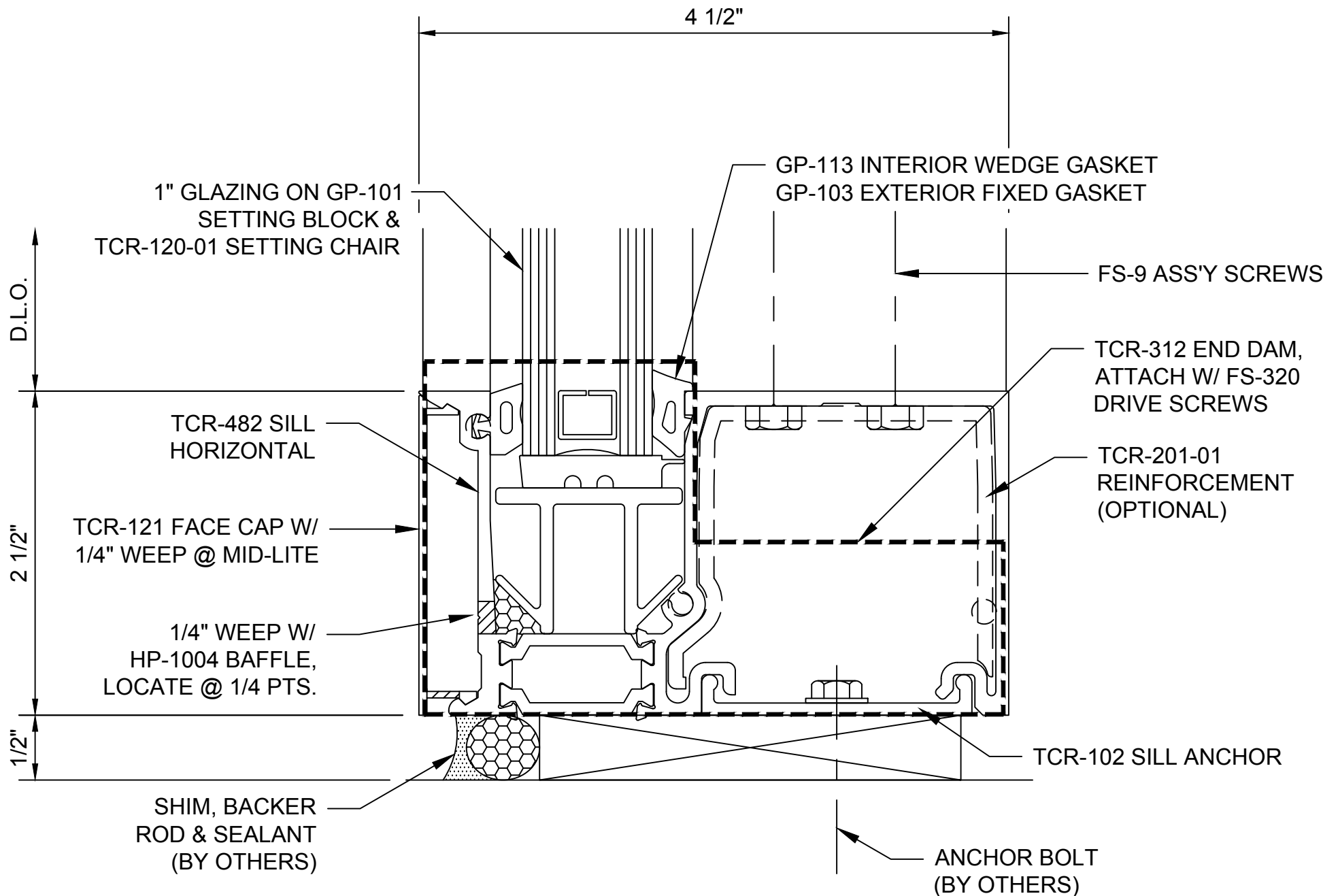
TCR-250
Reglazed Head - H7603



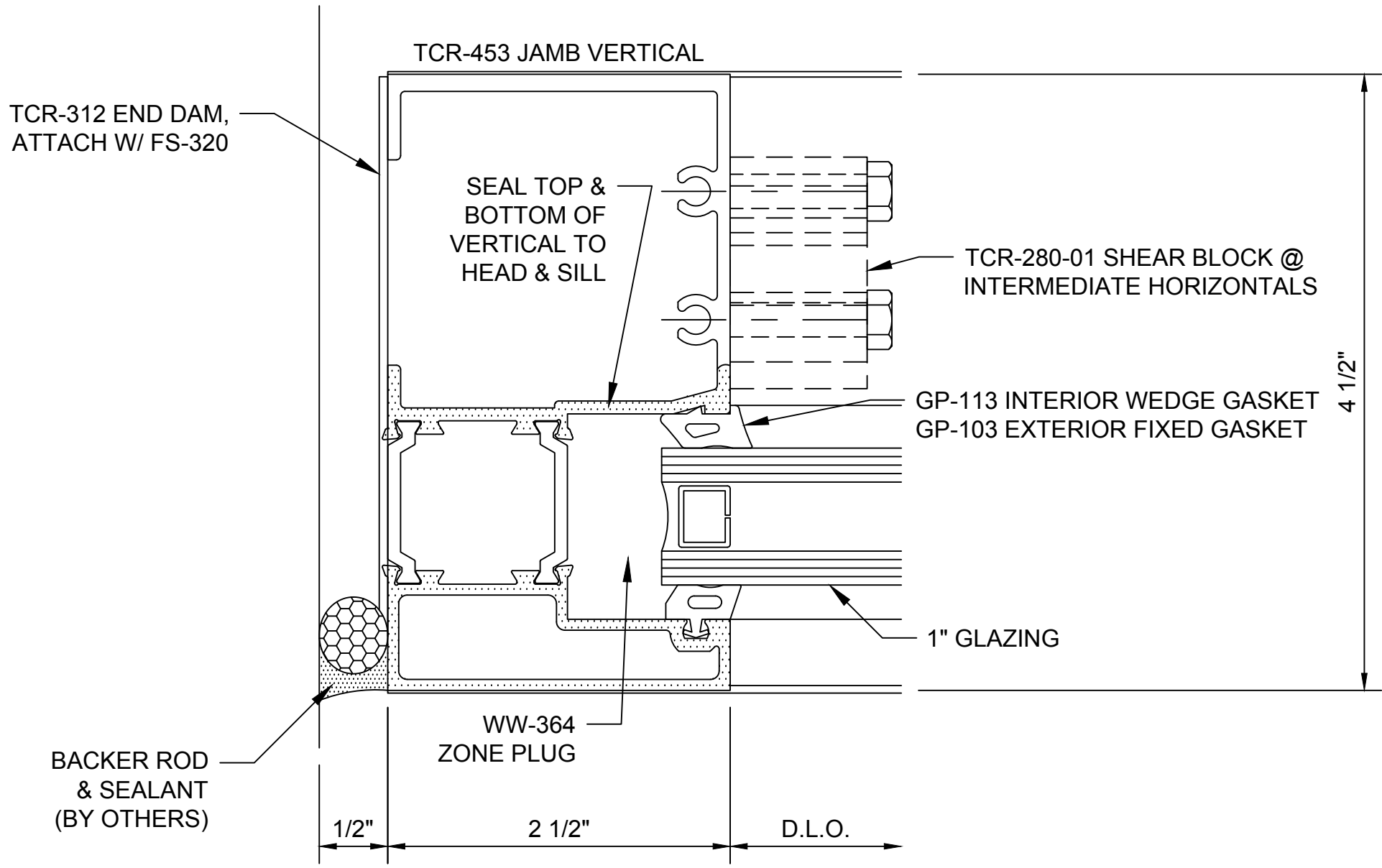
TCR-250
Intermediate Horizontal - H7605



TCR-250
Reglazed Intermediate Horizontal - H7606

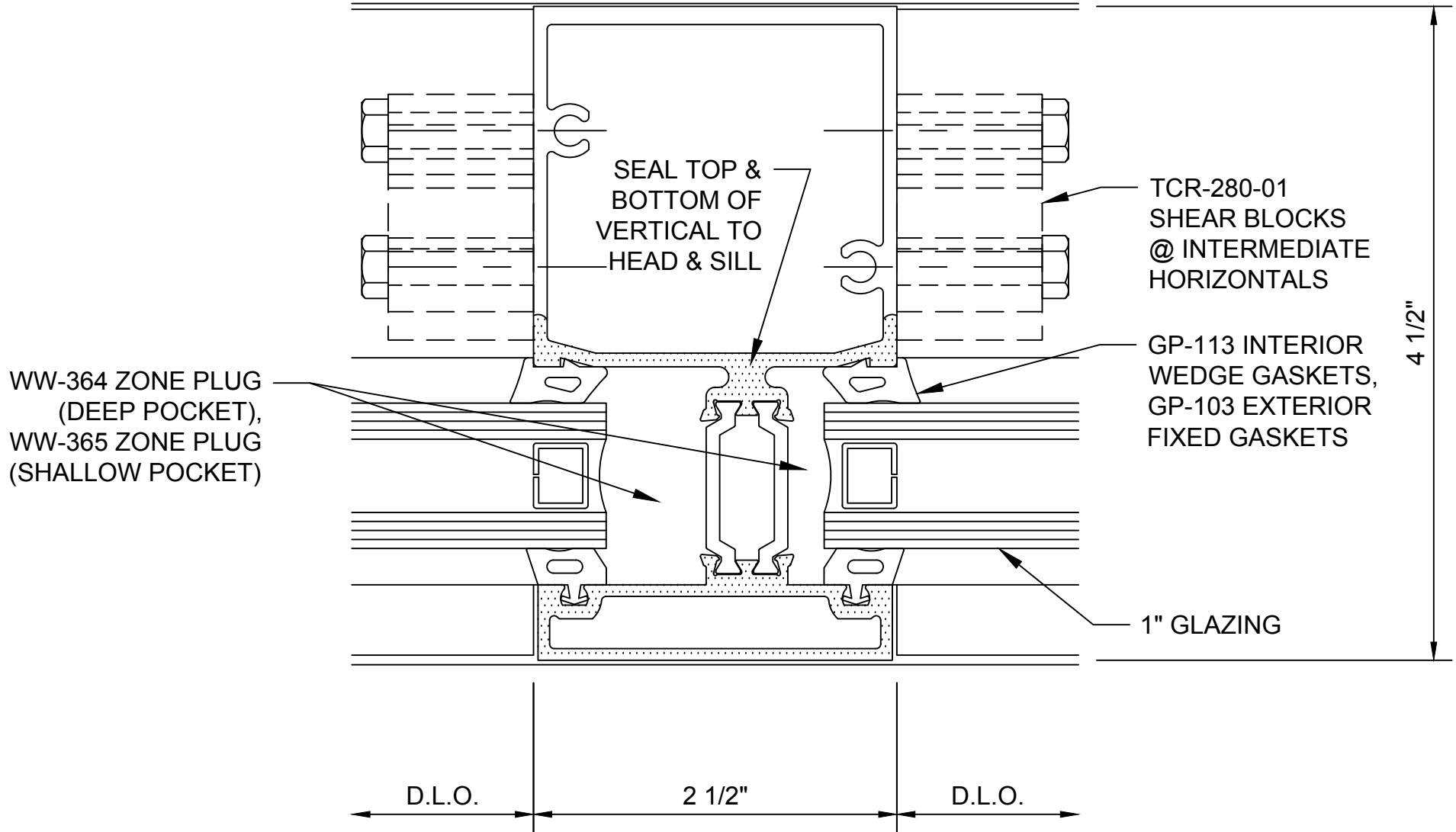


TCR-250
Sill - H7607

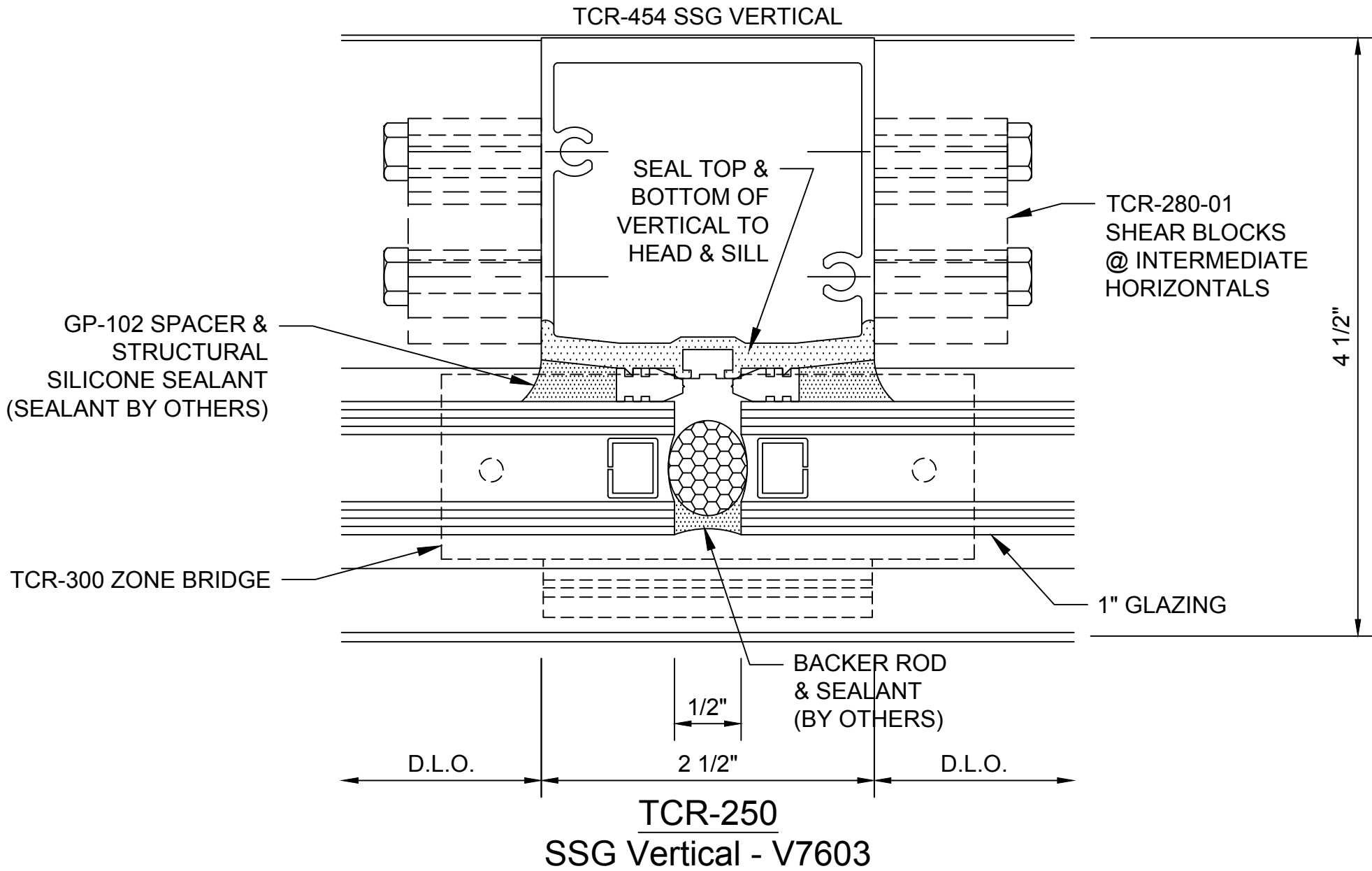


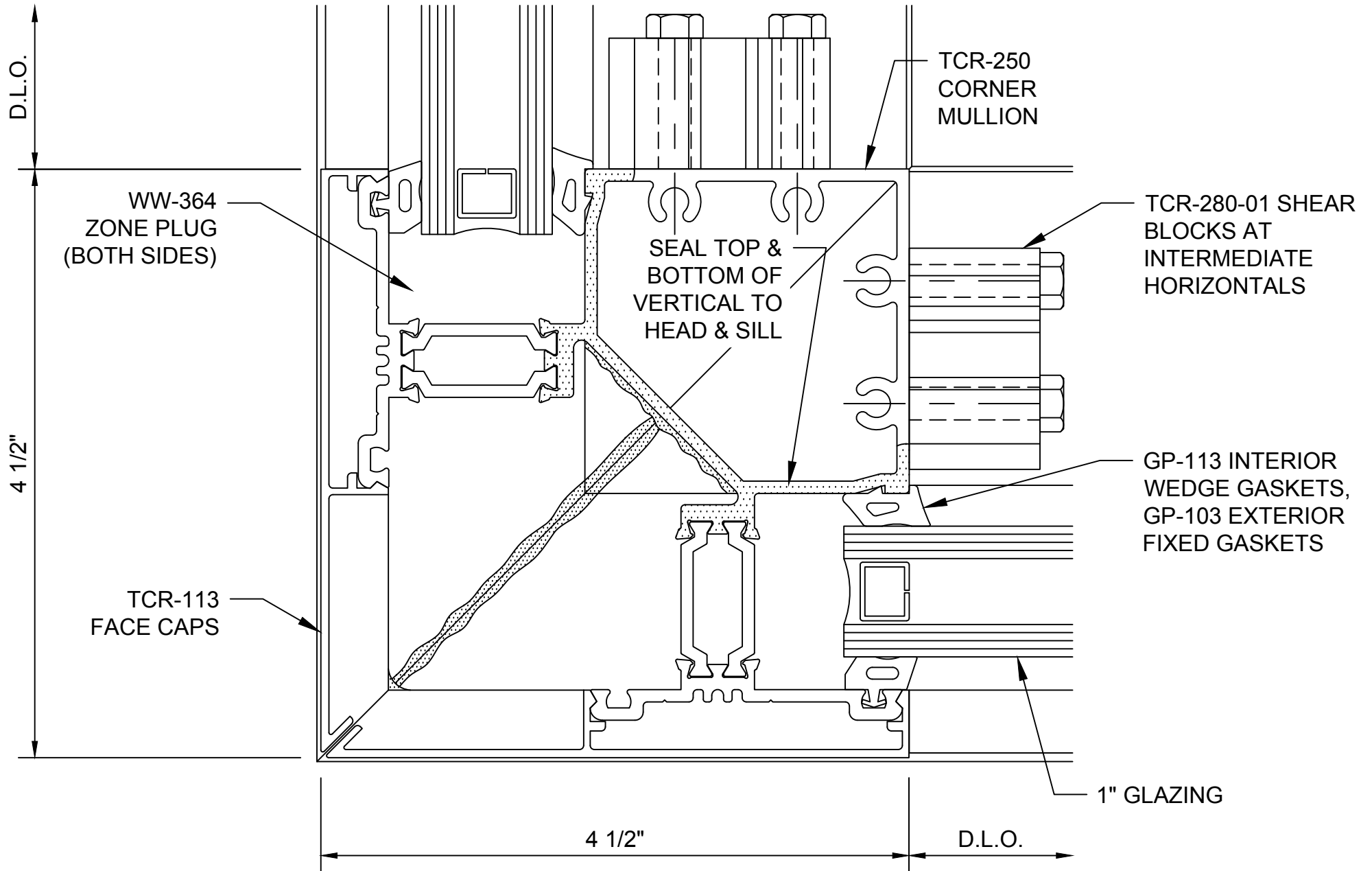
TCR-250
Jamb - V7601

TCR-480 VERTICAL



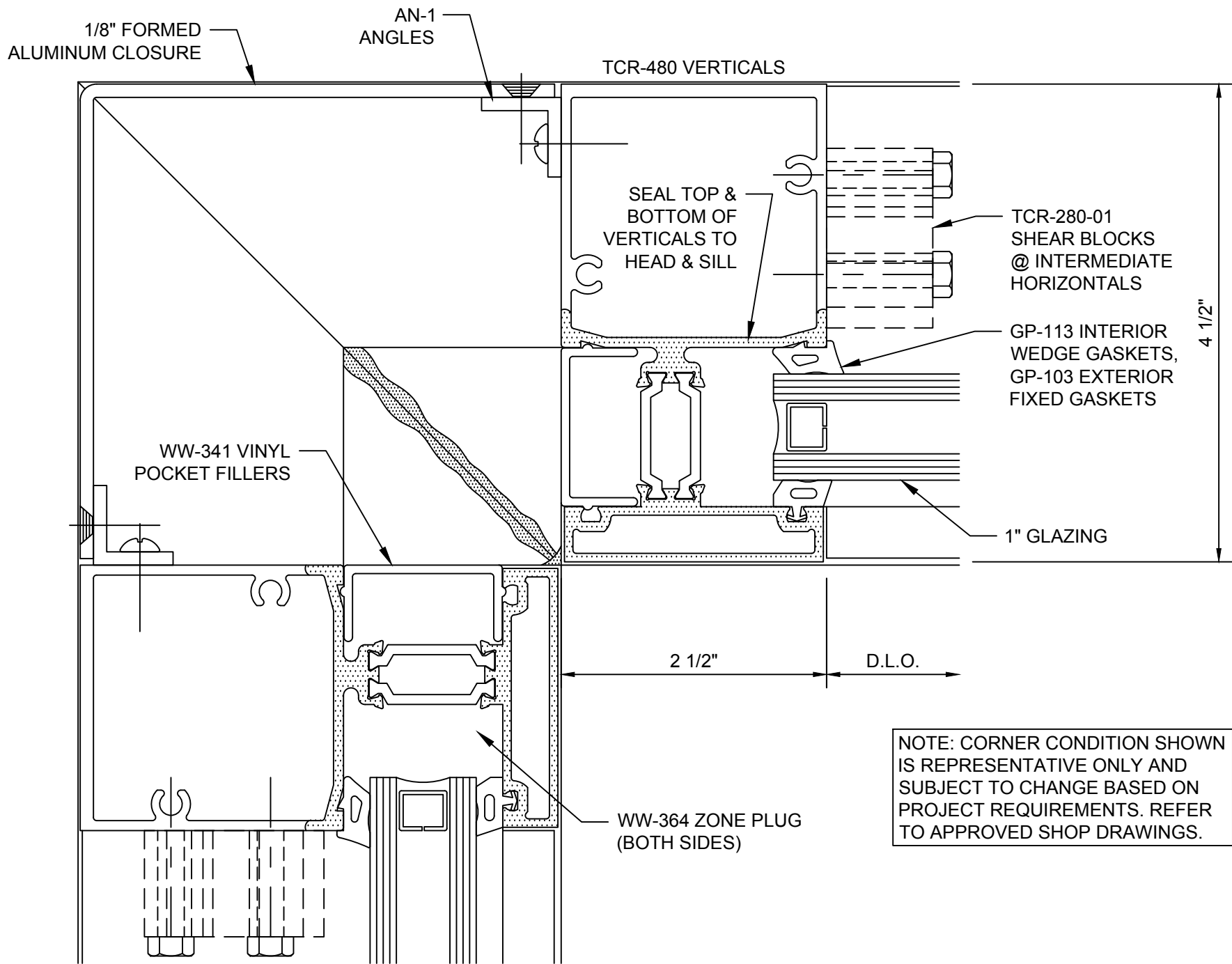
TCR-250
Typical Vertical - V7602





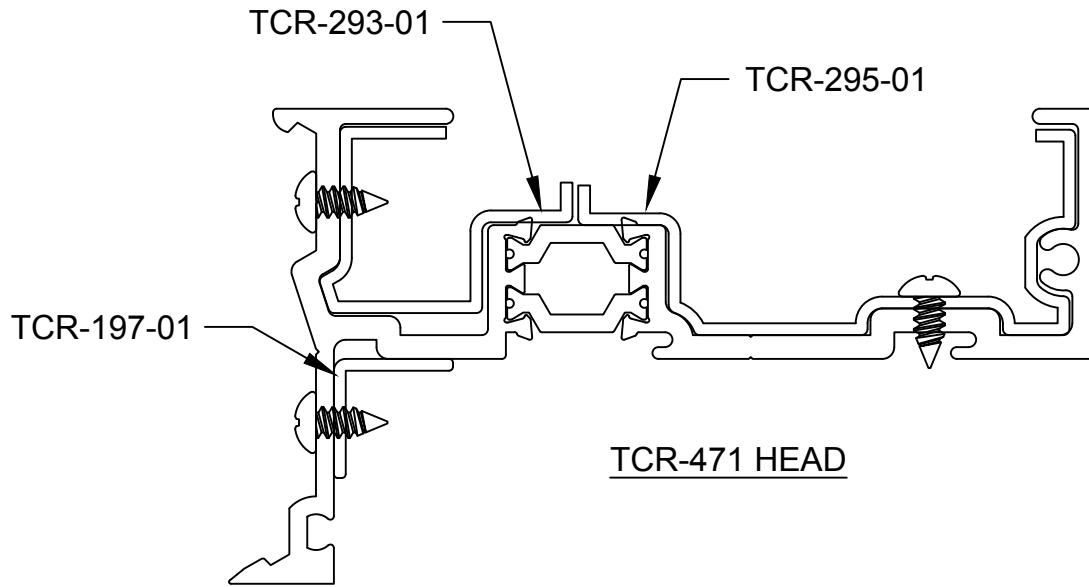
REFER TO INSTALLATION MANUAL FOR ADDITIONAL CORNER SPLICE INFORMATION.

TCR-250
90° Outside Corner - V7608



NOTE: CORNER CONDITION SHOWN IS REPRESENTATIVE ONLY AND SUBJECT TO CHANGE BASED ON PROJECT REQUIREMENTS. REFER TO APPROVED SHOP DRAWINGS.

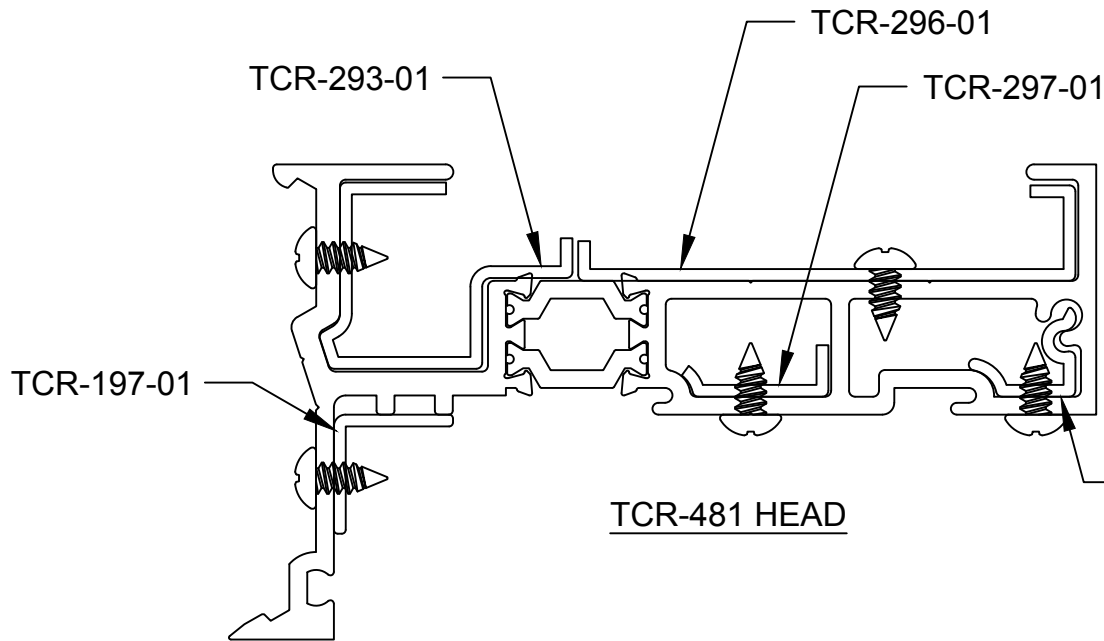
TCR-250
90° Inside Corner - V7609



TCR-471 HEAD

TCR-490 SPLICE PACKAGE CONTENTS:

- (1) TCR-197-01
- (1) TCR-293-01
- (1) TCR-295-01



TCR-481 HEAD

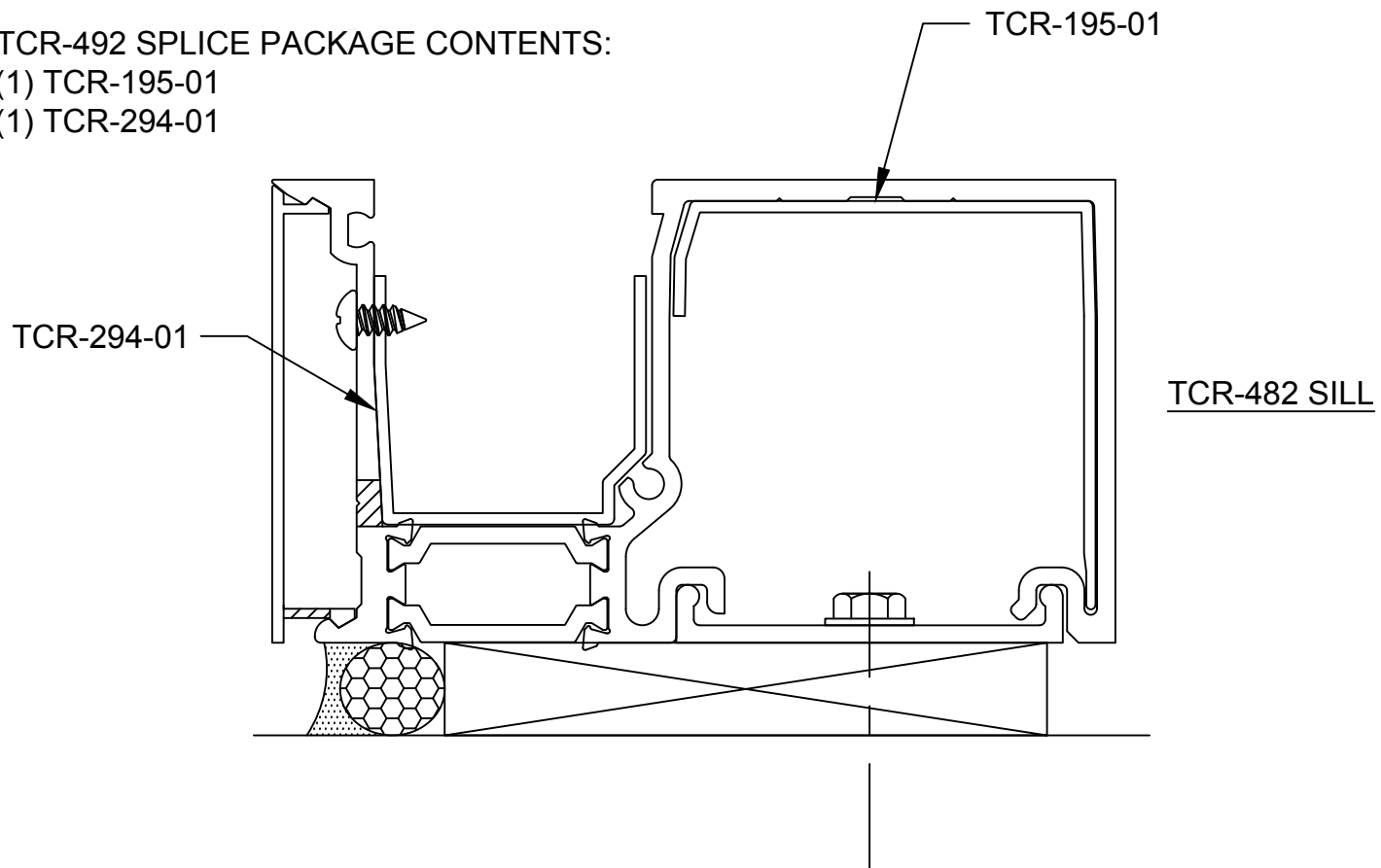
TCR-491 SPLICE PACKAGE CONTENTS:

- (1) TCR-197-01
- (1) TCR-293-01
- (1) TCR-296-01
- (1) TCR-297-01
- (1) TCR-298-01

TCR-298-01

TCR-250
Head Splicing - H7604

TCR-492 SPLICE PACKAGE CONTENTS:
(1) TCR-195-01
(1) TCR-294-01



TCR-250
Sill Splicing - H7608