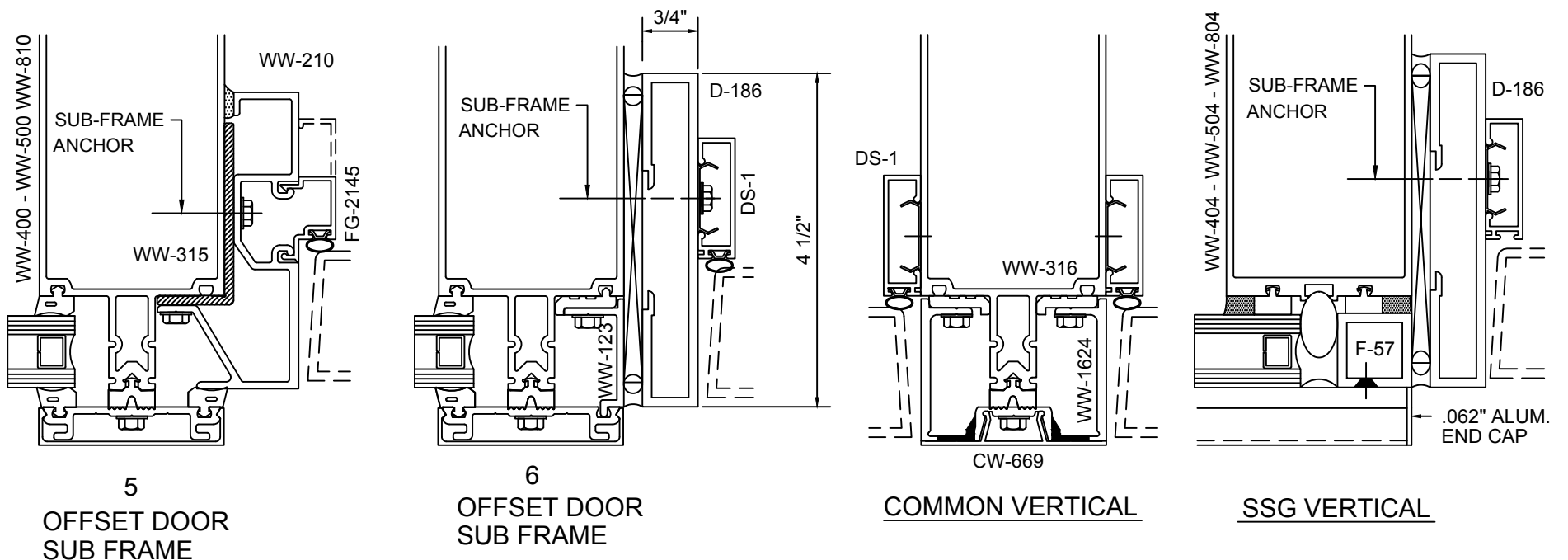
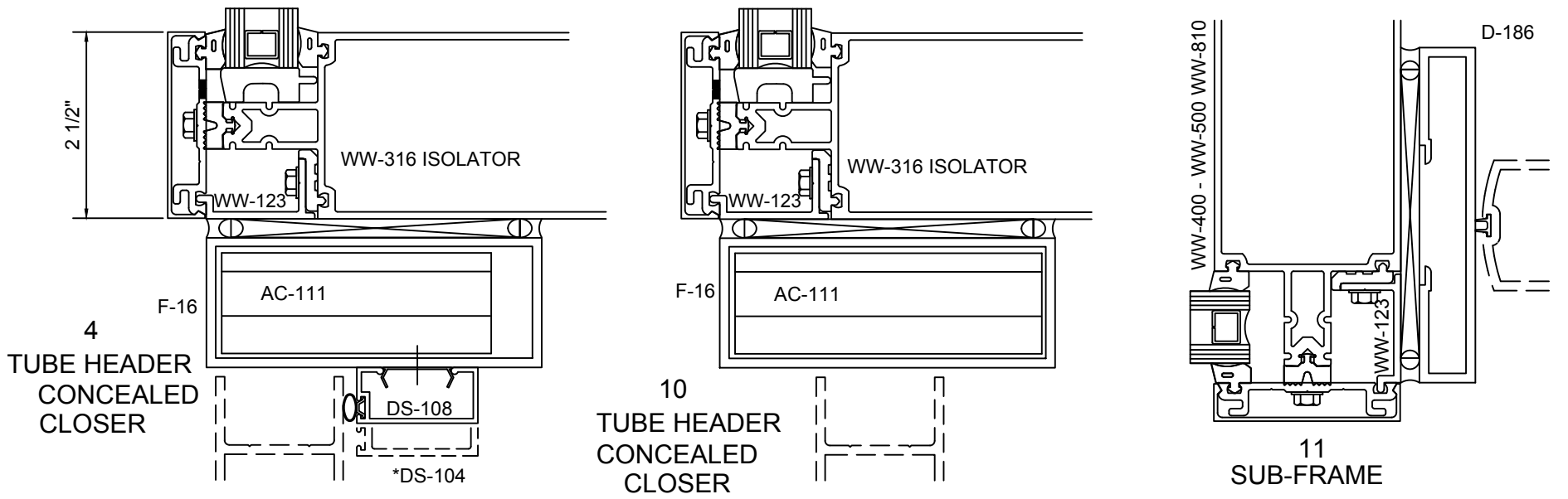
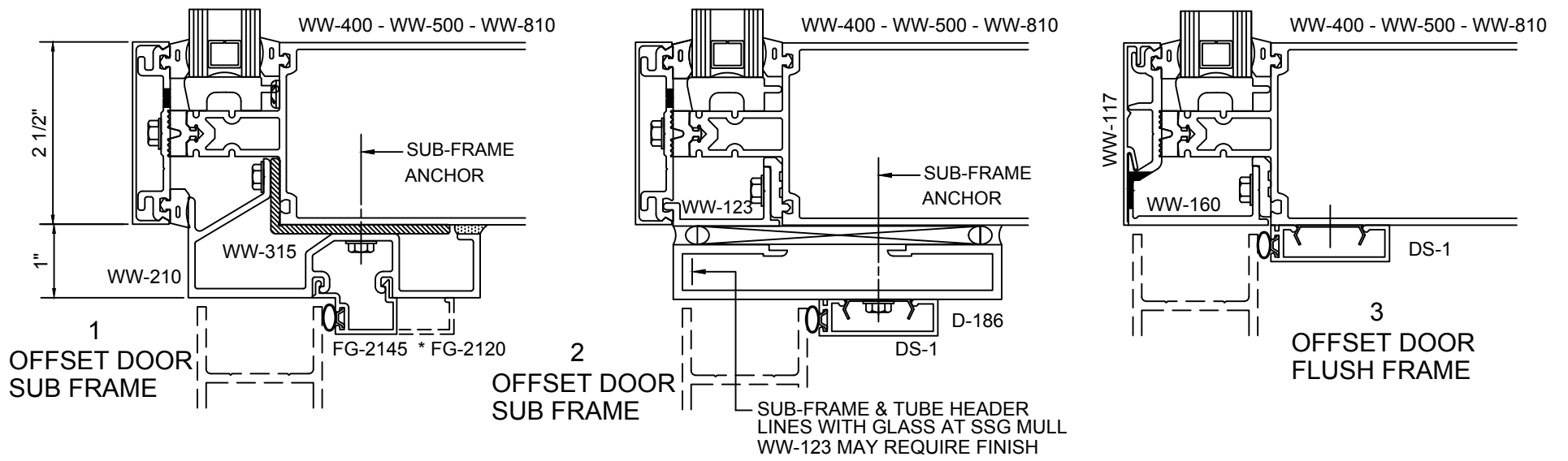
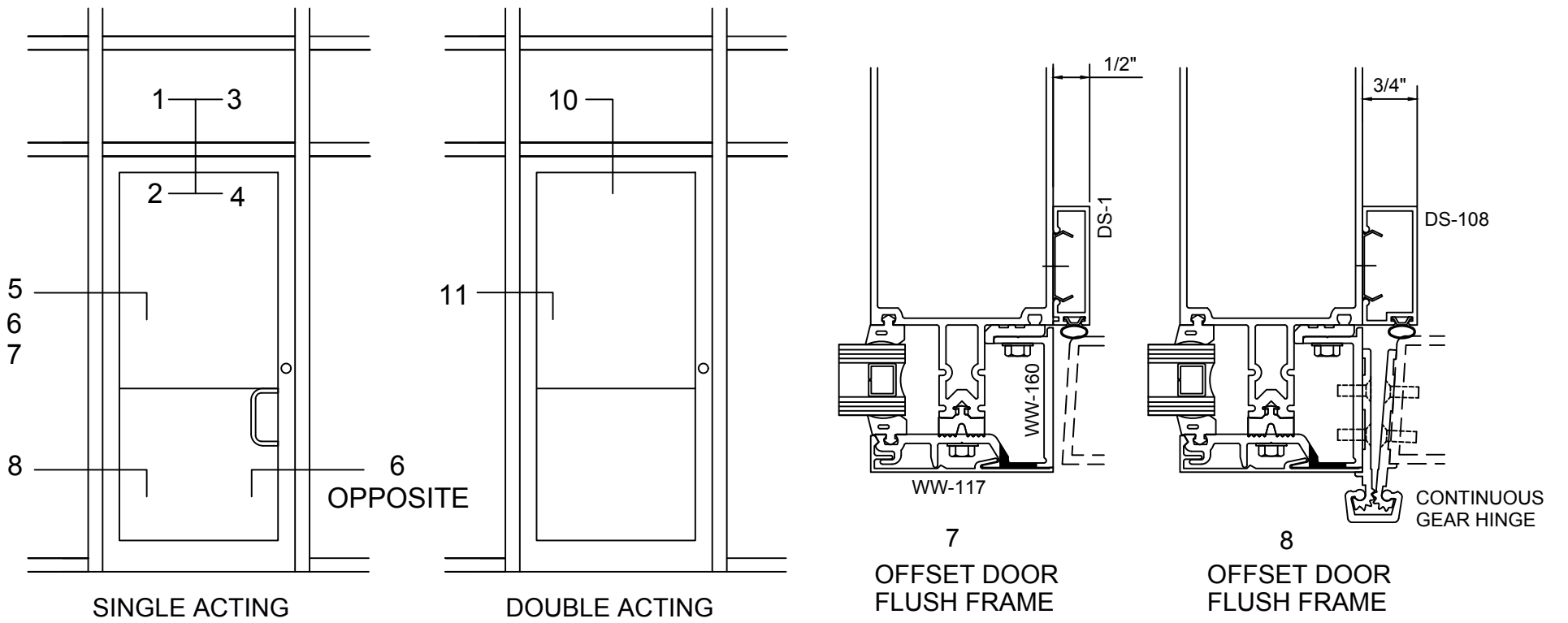


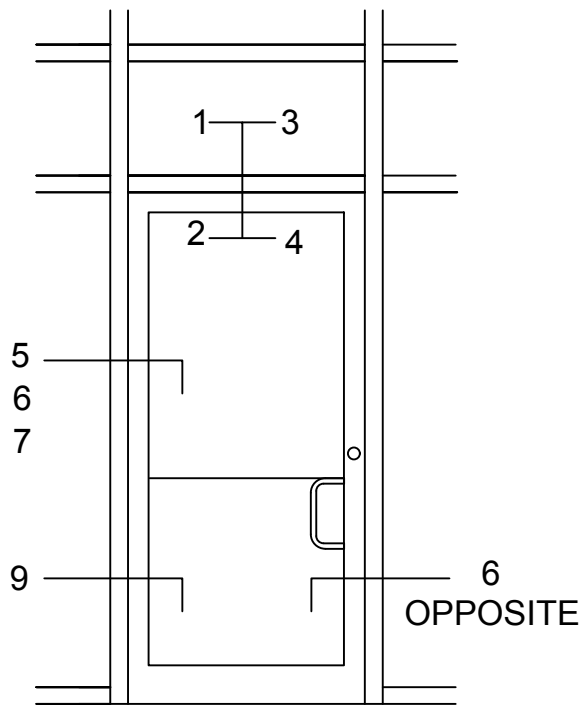
RELIANCE STANDARD HORIZONTAL & VERTICAL AT STANDARD DOOR & FRAME 1" GLASS IN FRAME



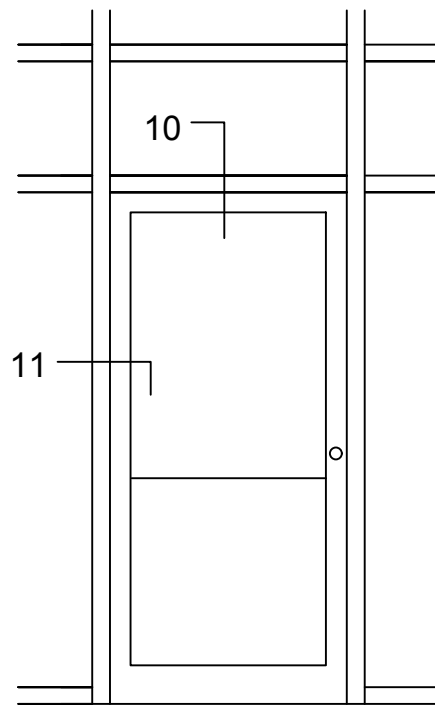
Note: Ref Installation Manual for additional info.

* Alternate door stop as required

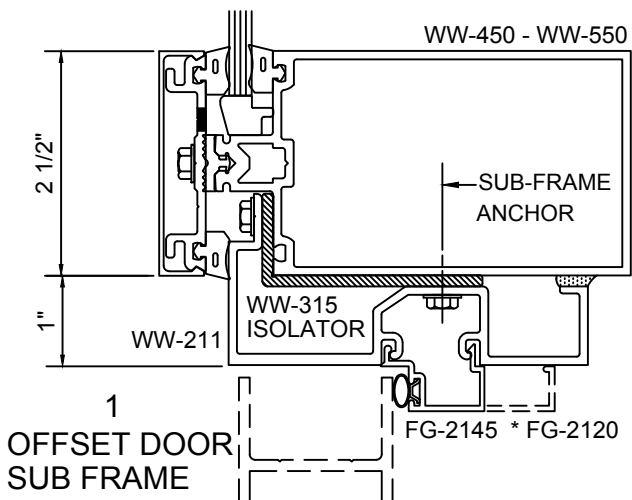
RELIANCE STANDARD HORIZONTAL & VERTICAL AT STANDARD DOOR & FRAME 1/4" GLASS IN FRAME



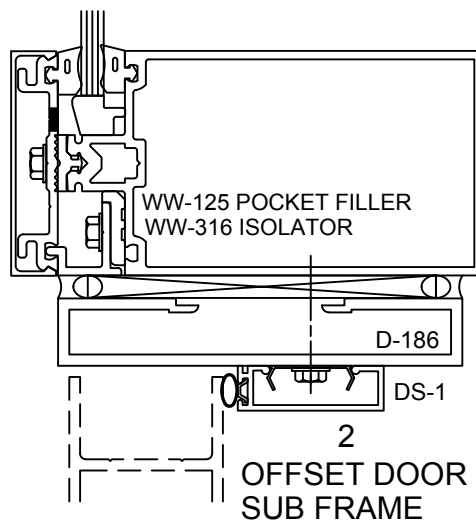
SINGLE ACTING



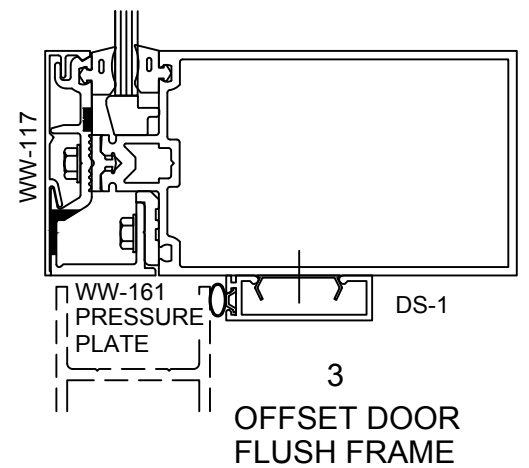
DOUBLE ACTING



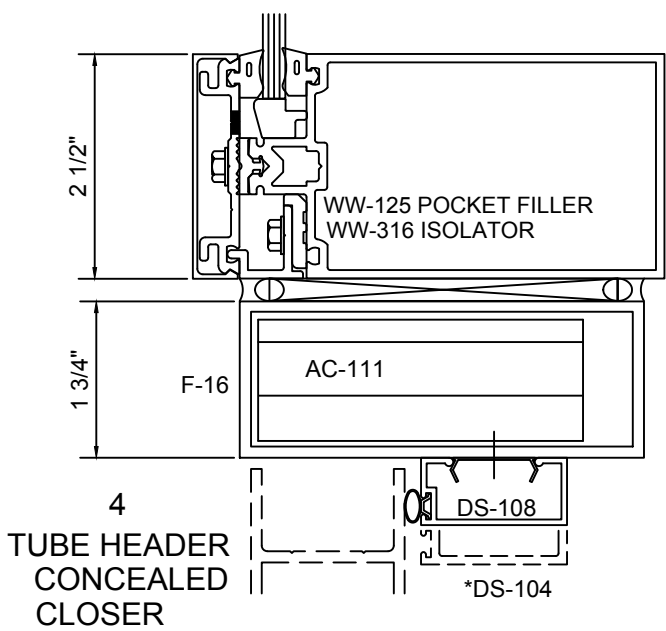
1
OFFSET DOOR
SUB FRAME



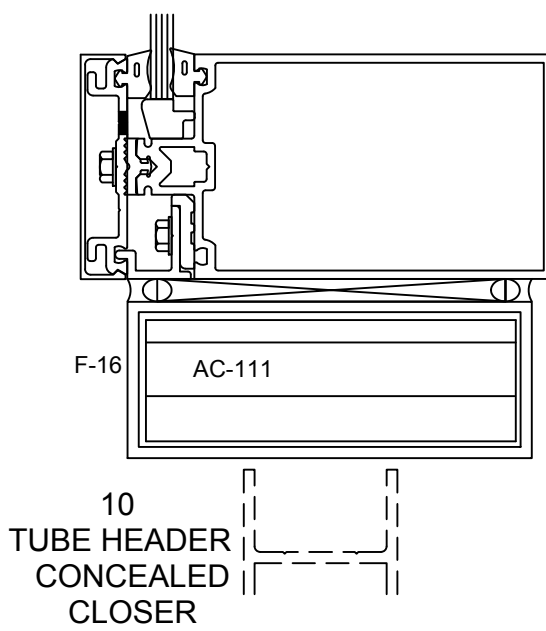
2
OFFSET DOOR
SUB FRAME



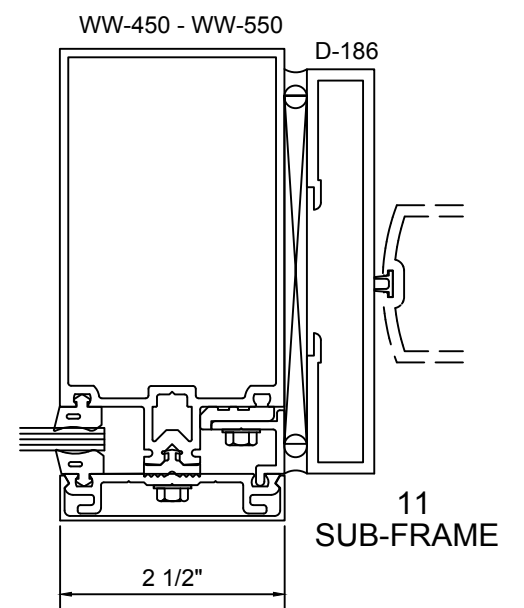
3
OFFSET DOOR
FLUSH FRAME



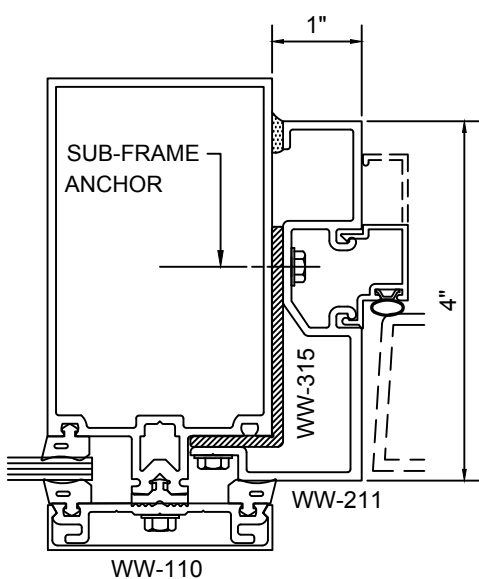
4
TUBE HEADER
CONCEALED
CLOSER



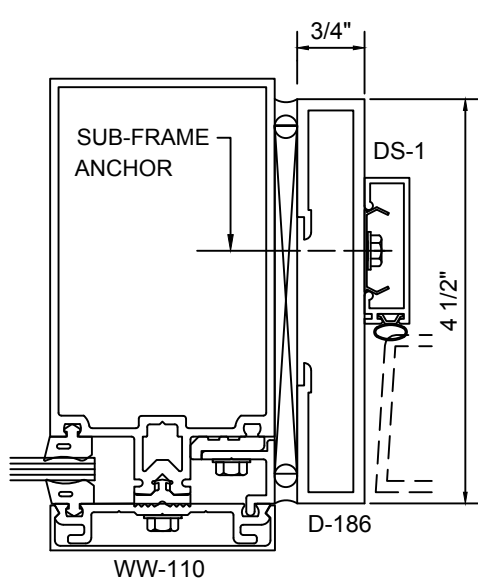
10
TUBE HEADER
CONCEALED
CLOSER



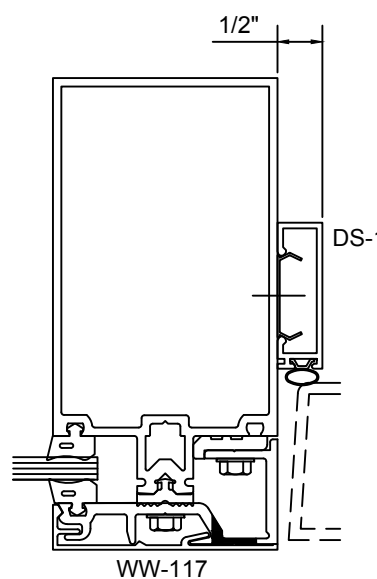
11
SUB-FRAME



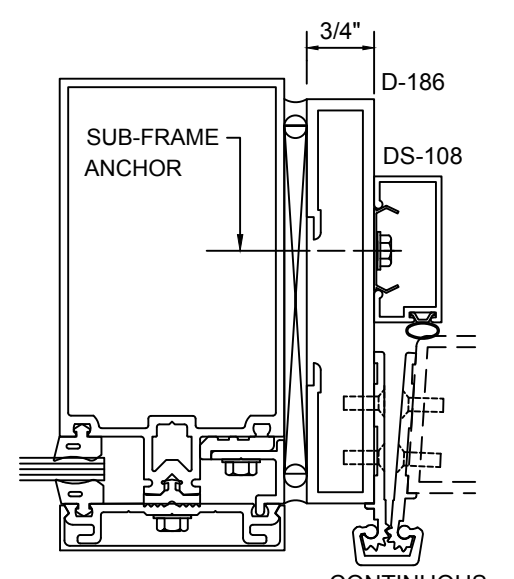
5
OFFSET DOOR
SUB FRAME



6
OFFSET DOOR
SUB FRAME



7
OFFSET DOOR
FLUSH FRAME

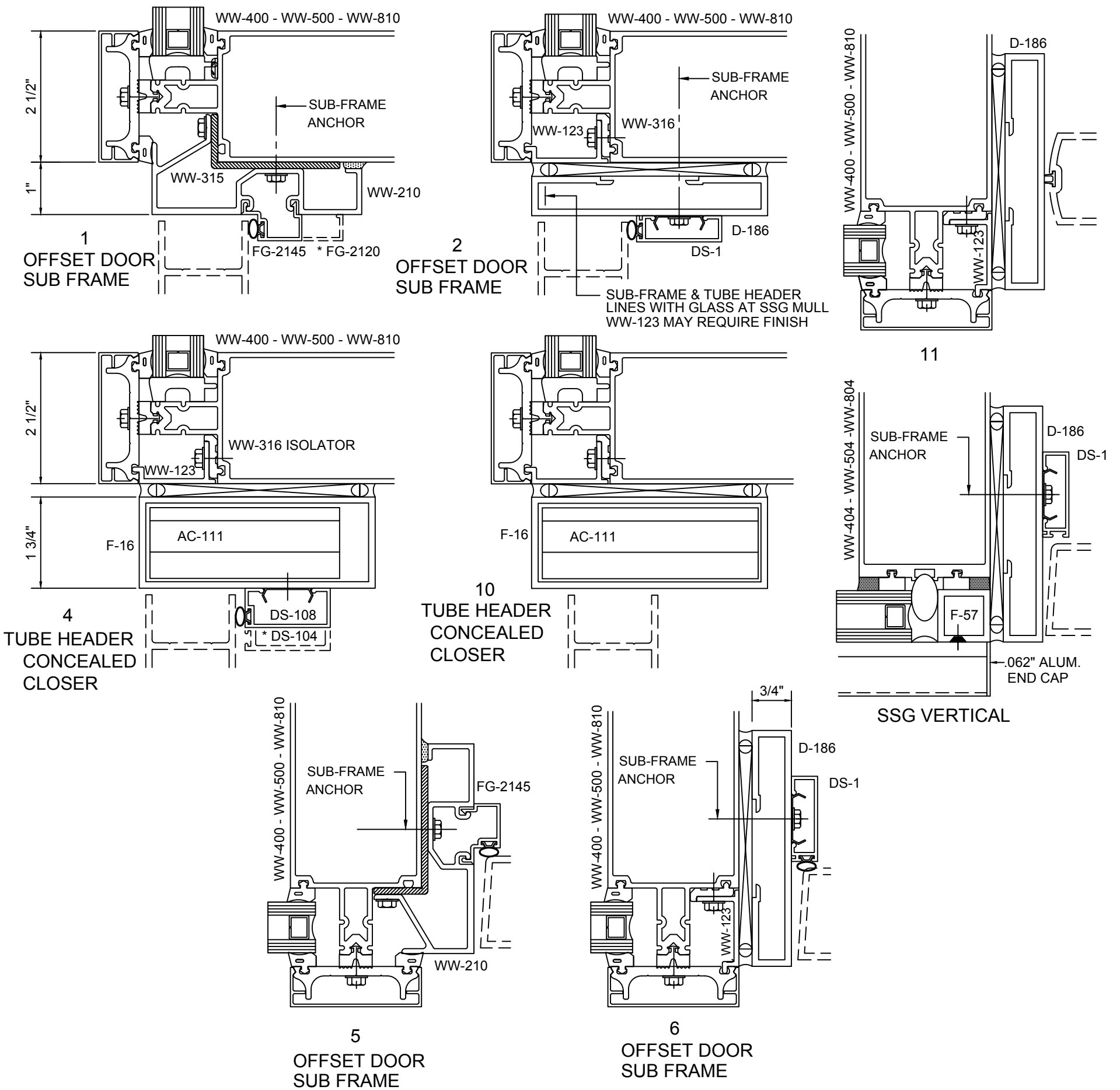
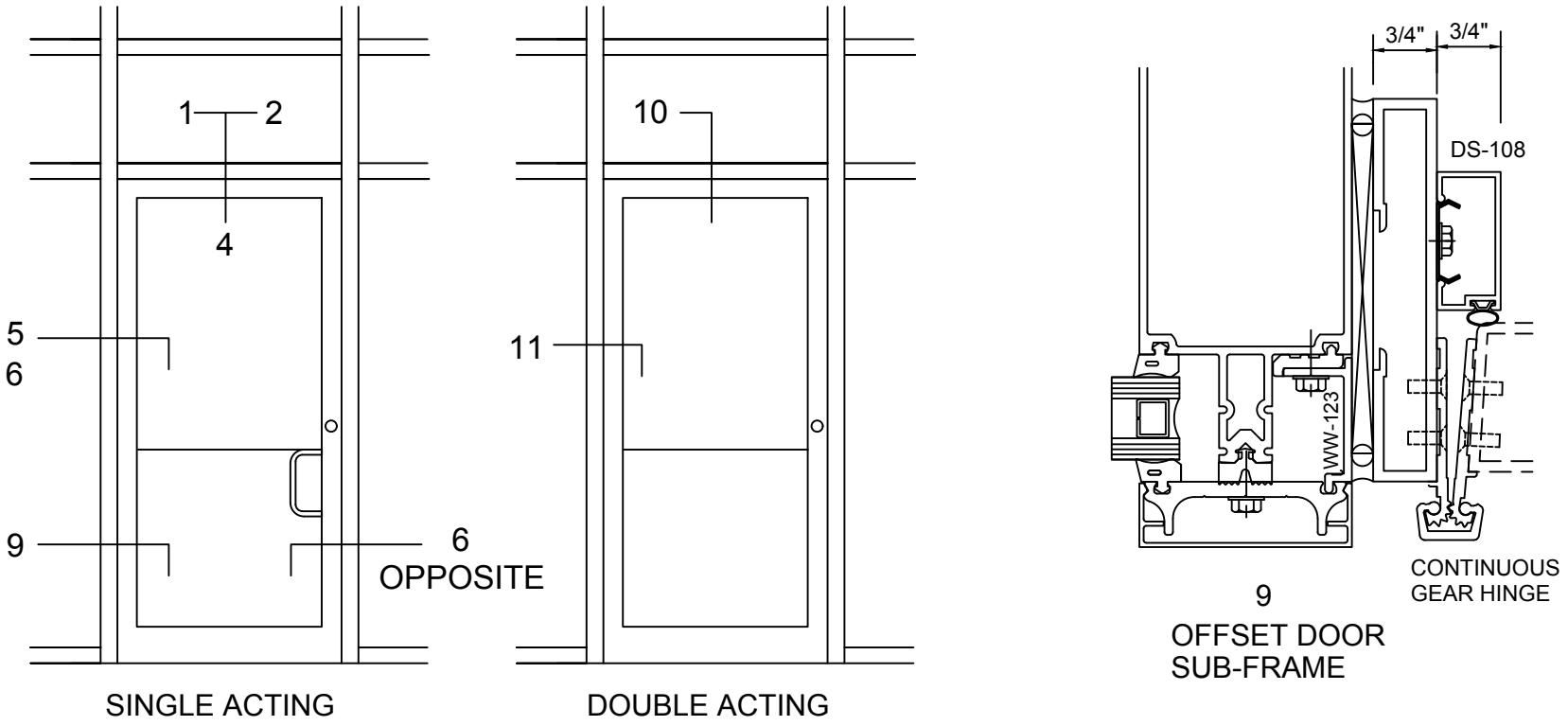


9
OFFSET DOOR
SUB FRAME

Note: Ref Installation Manual for additional info.

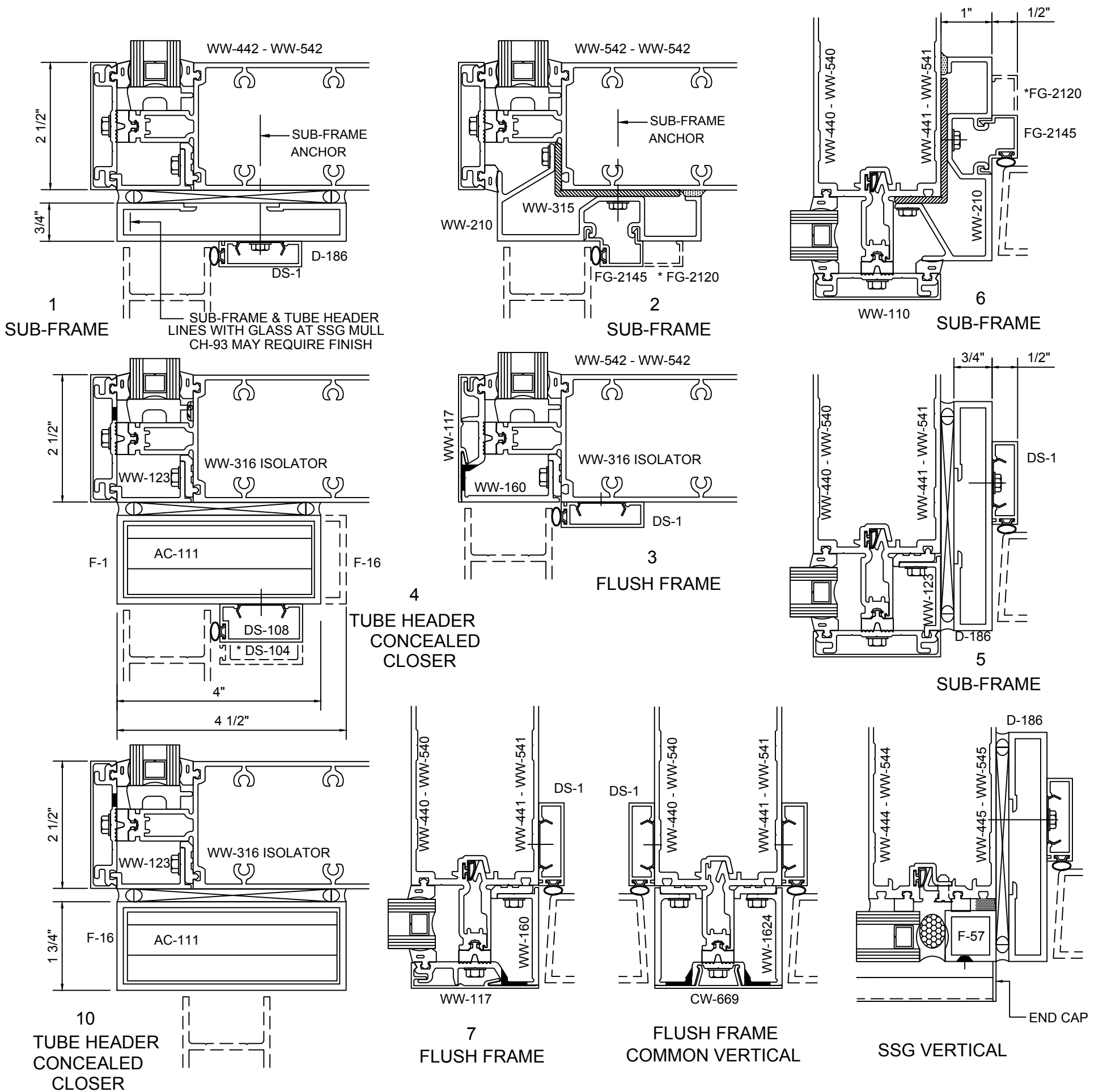
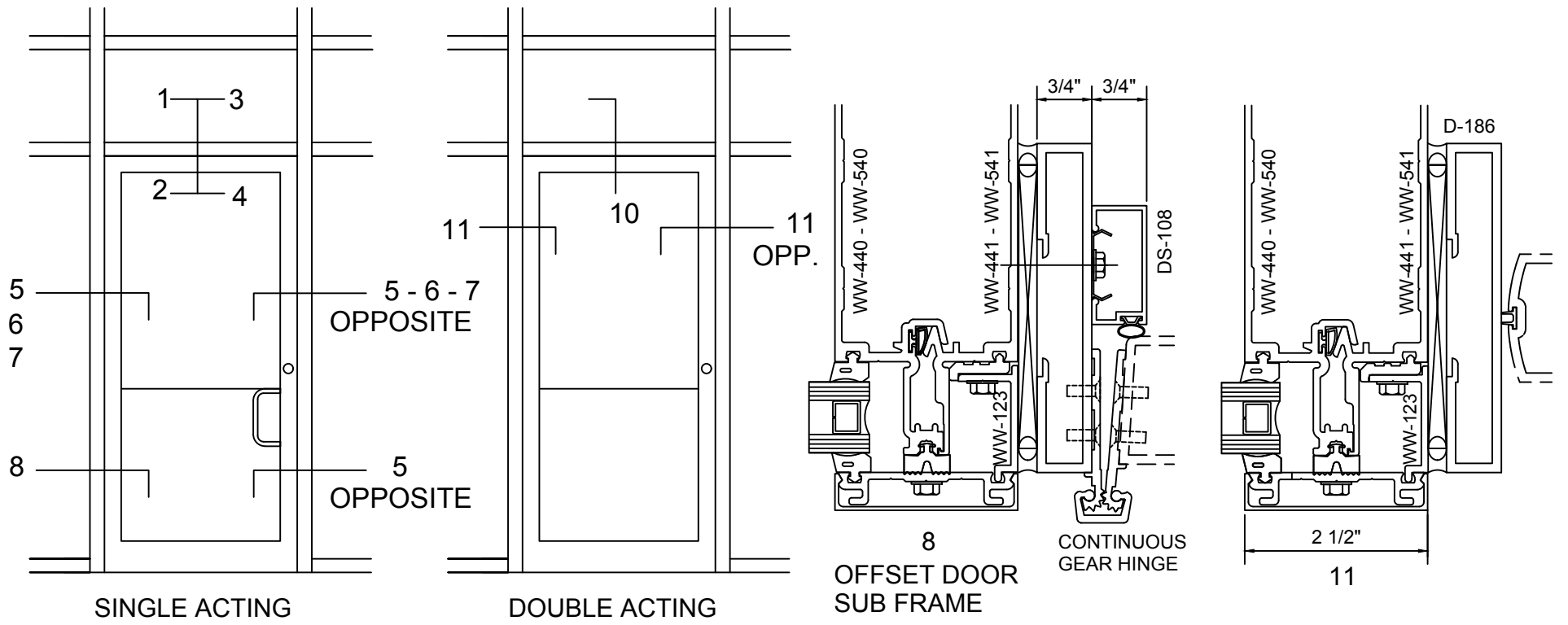
* Alternate door stop as required

RELIANCE WITH FRP PRESSURE PLATE AT STANDARD DOOR & FRAME 1" GLASS IN FRAME



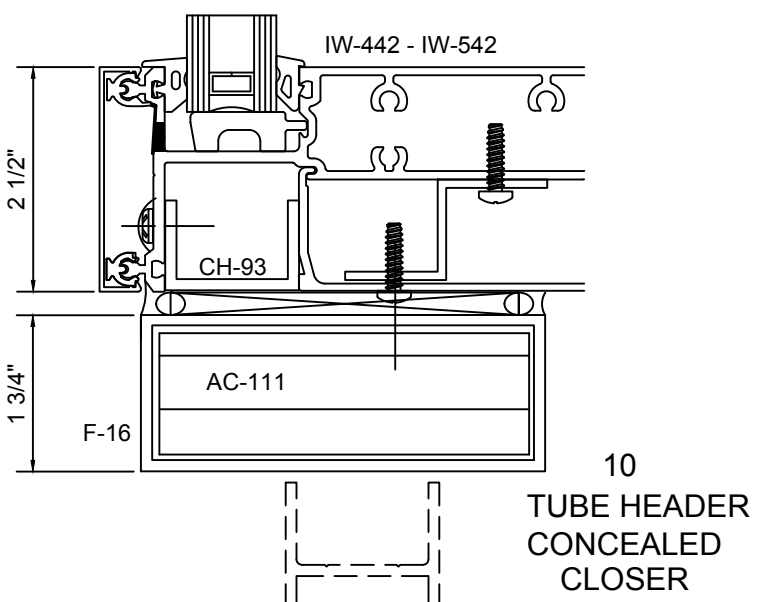
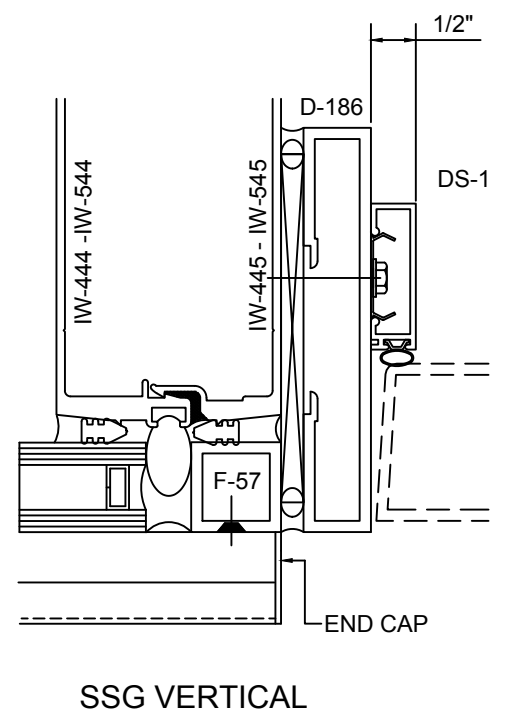
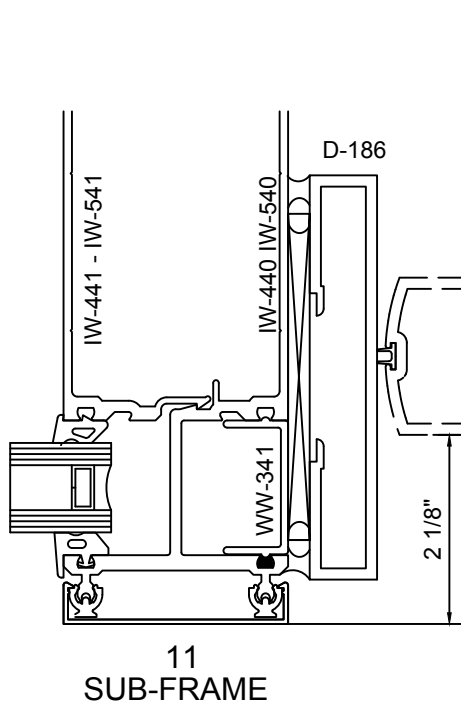
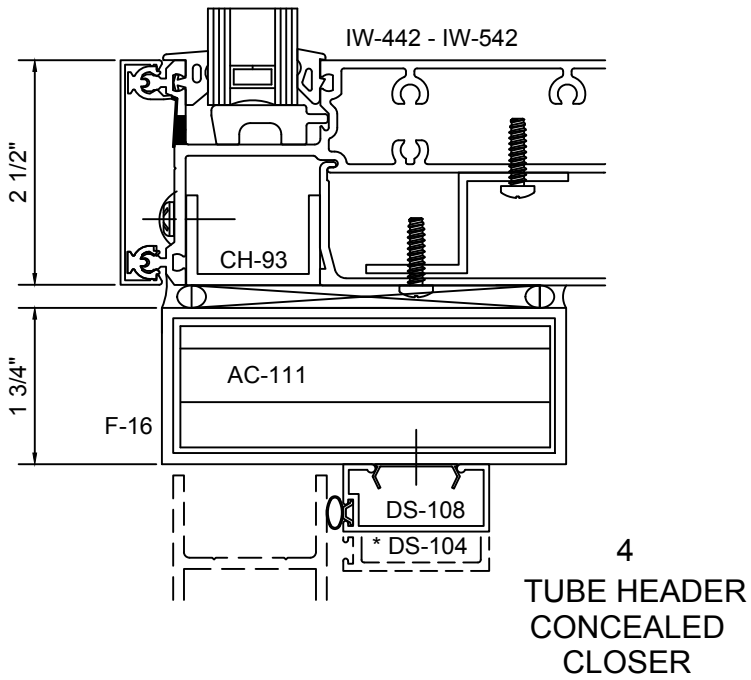
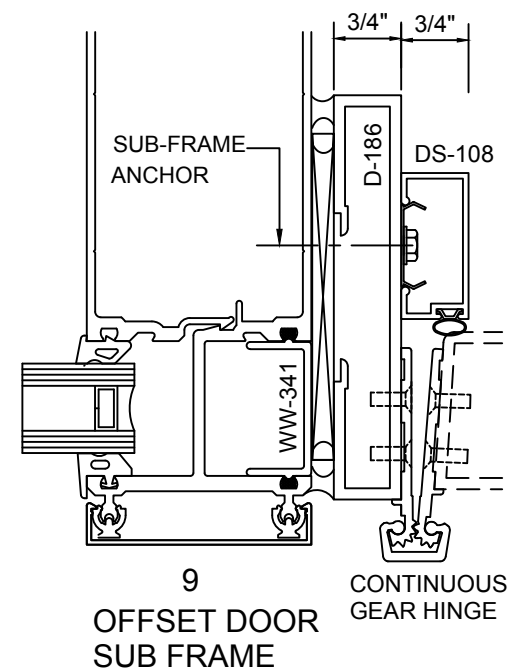
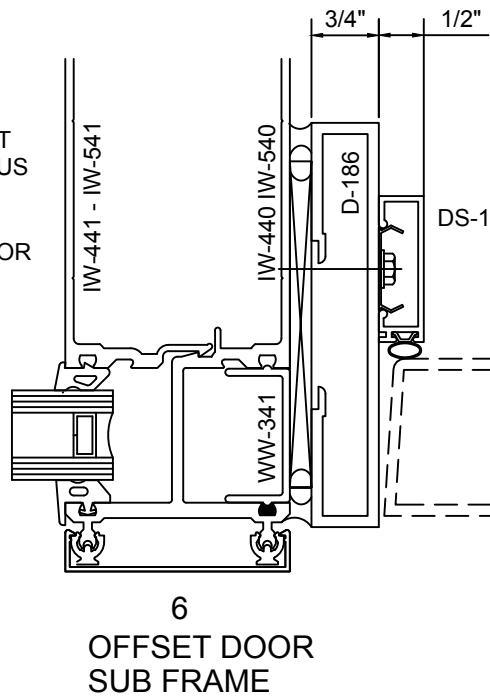
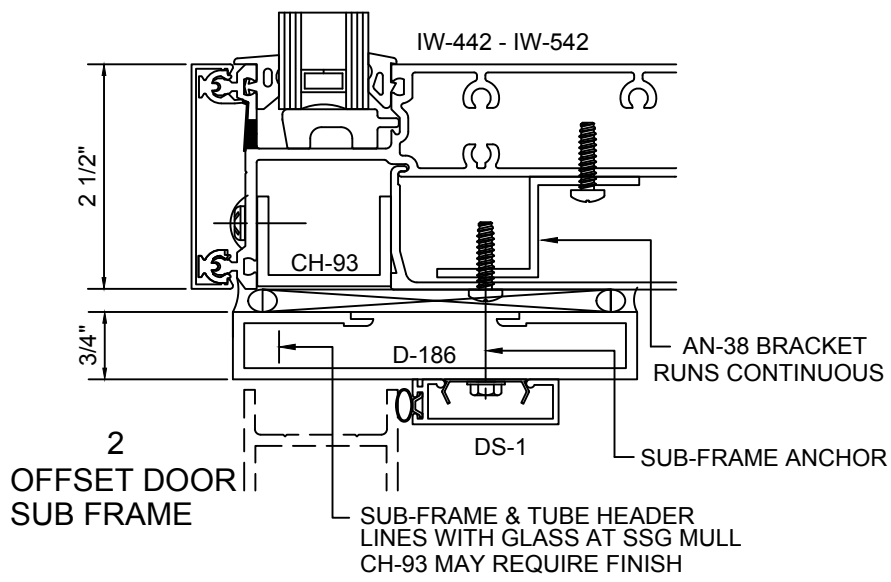
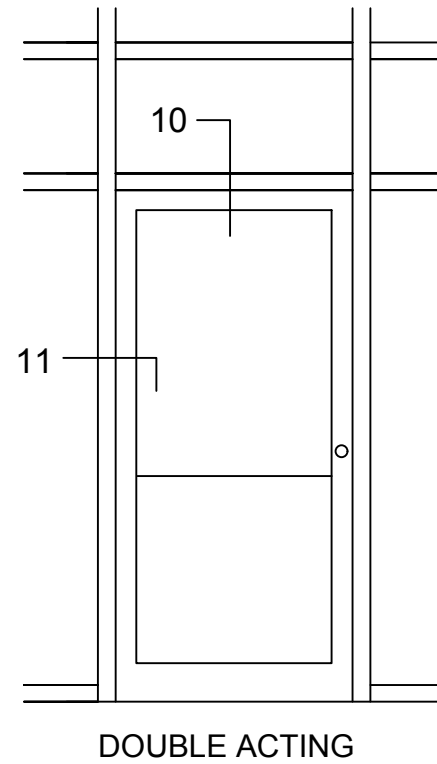
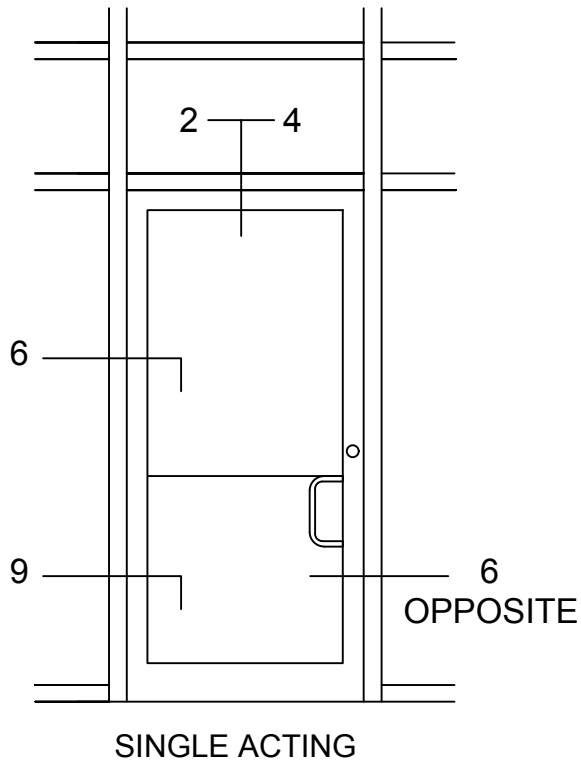
Note: Ref Installation Manual for additional info. * Alternate door stop as required

RELIANCE-SS CURTAIN WALL AT STANDARD DOOR & FRAME 1" GLASS IN FRAME



Note: Ref Installation Manual for additional info. * Alternate door stop as required

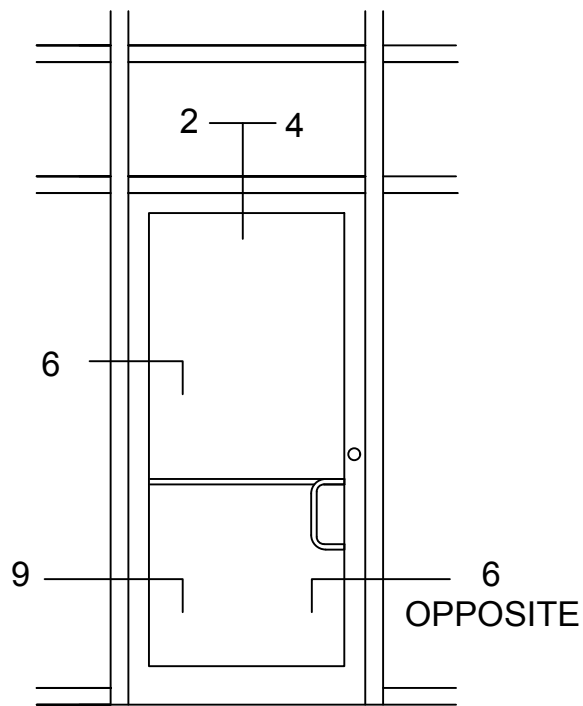
RELIANCE-IGSS CURTAIN WALL AT STANDARD DOOR & FRAME 1" GLASS IN FRAME



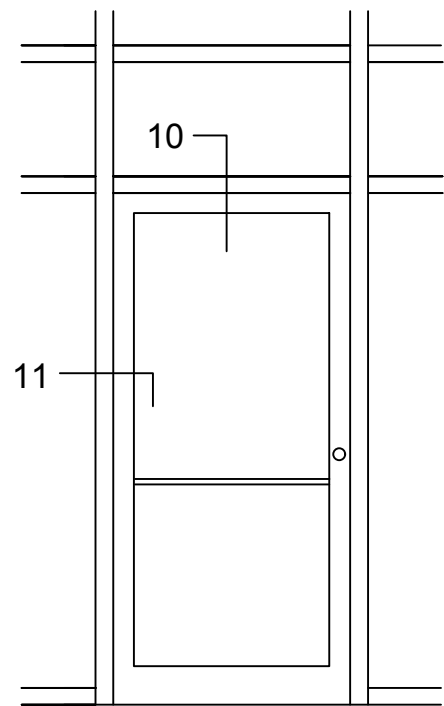
Note: Ref Installation Manual for additional info.

* Alternate door stop as required

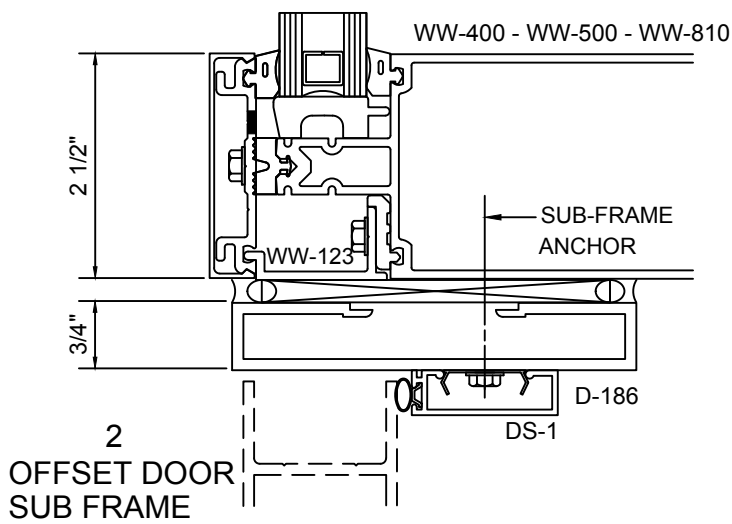
RELIANCE HORIZONTAL WITH TC VERTICAL AT STANDARD DOOR & FRAME 1" GLASS IN FRAME



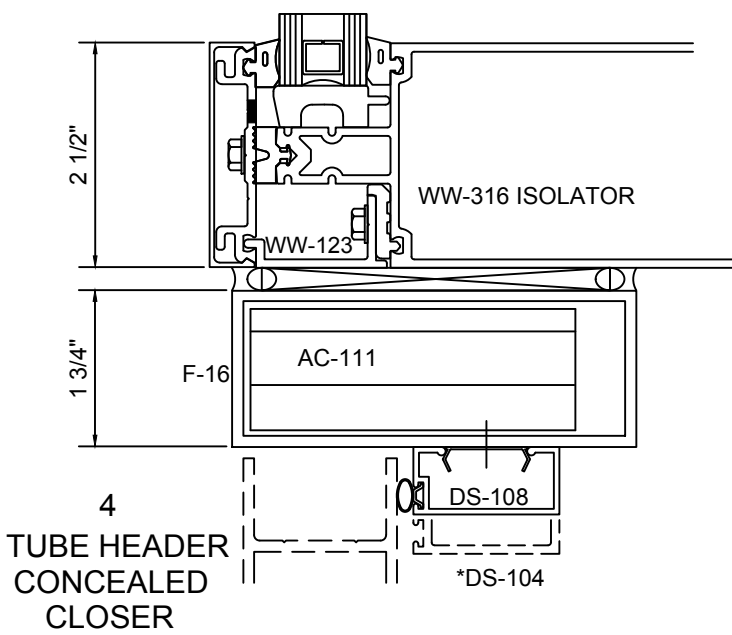
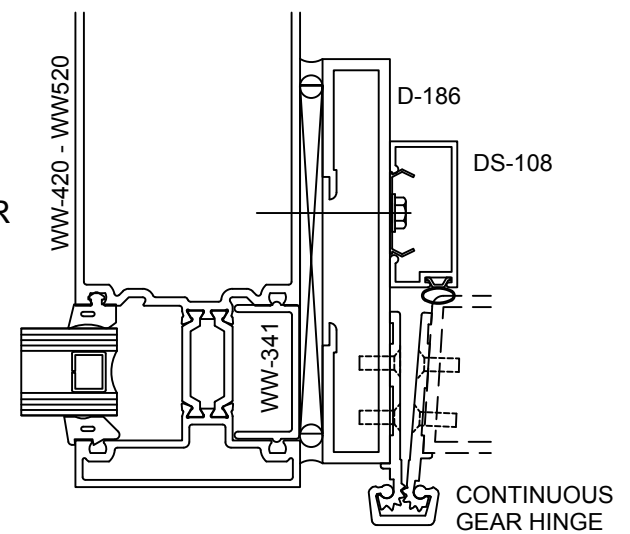
SINGLE ACTING



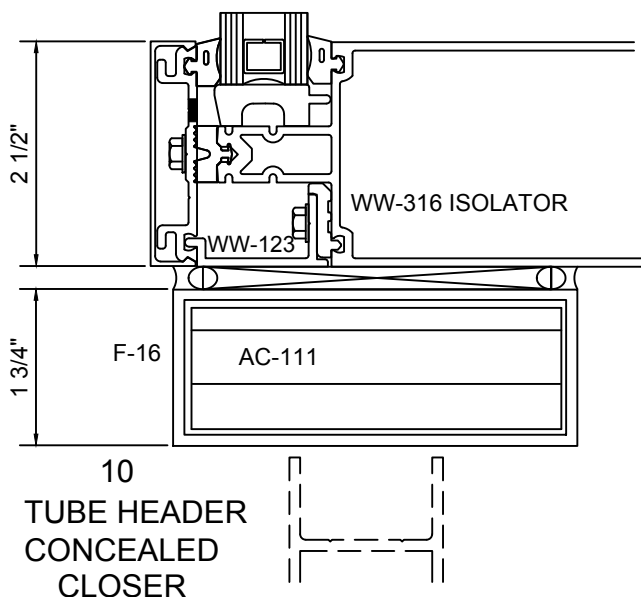
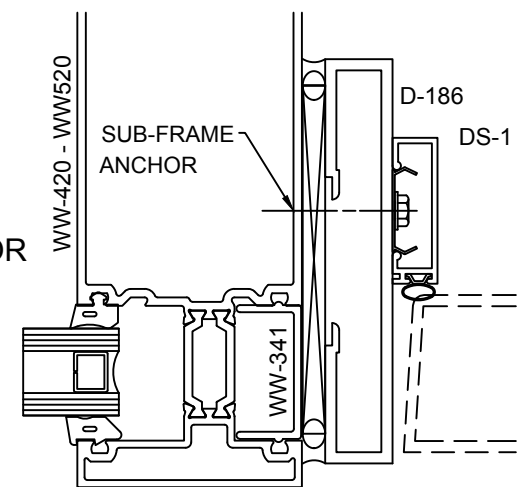
DOUBLE ACTING



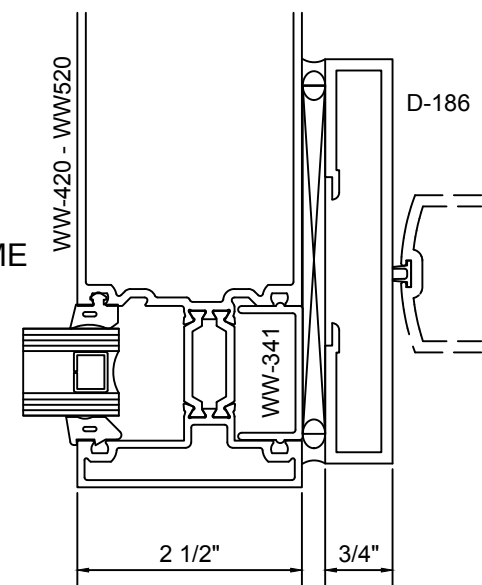
9
OFFSET DOOR
SUB FRAME



6
OFFSET DOOR
SUB FRAME



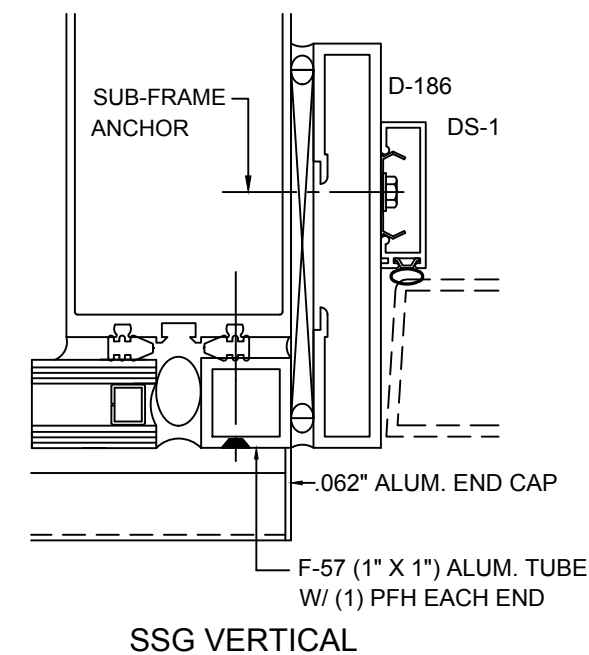
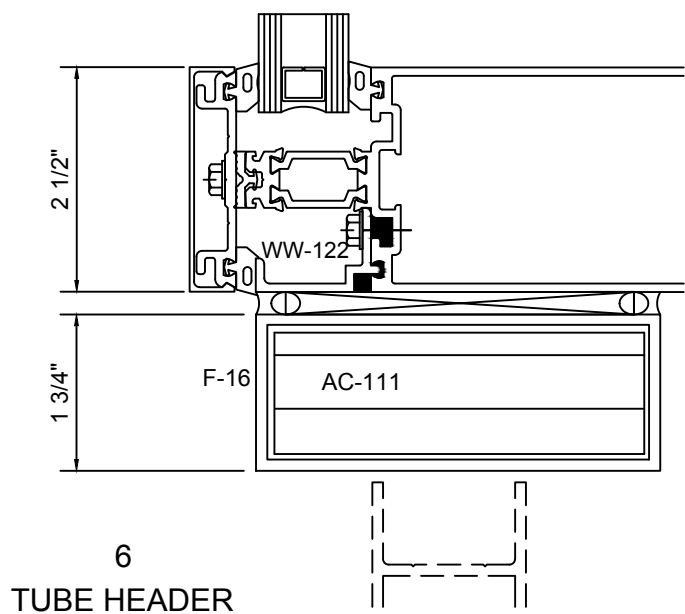
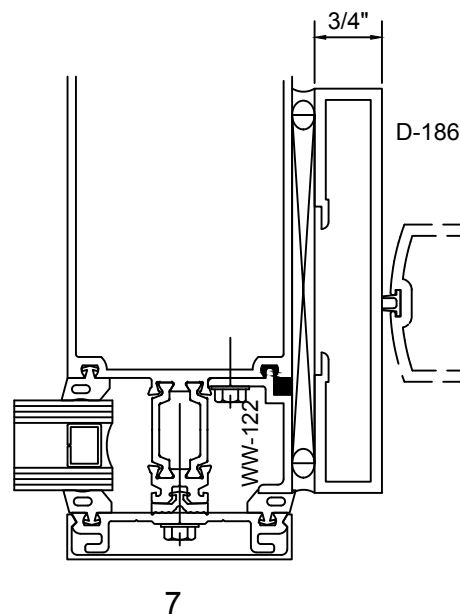
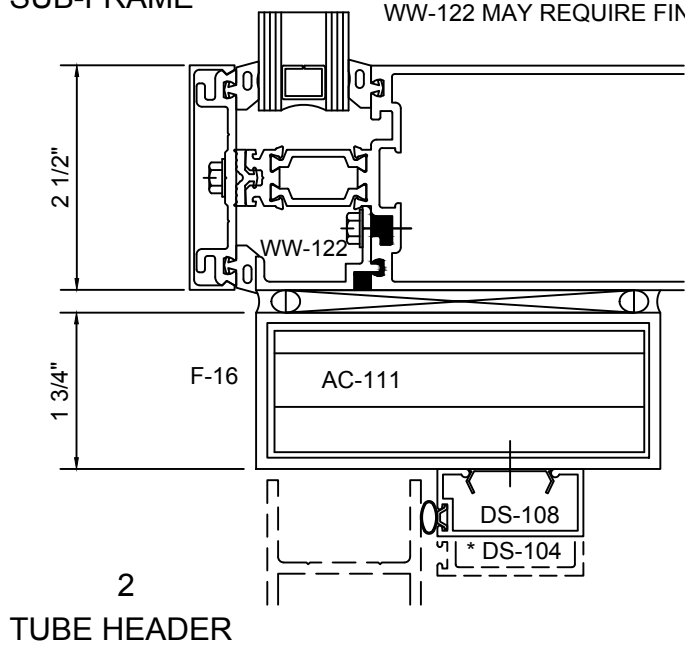
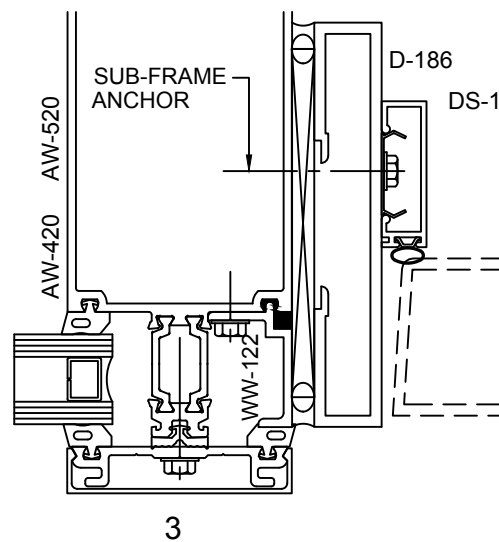
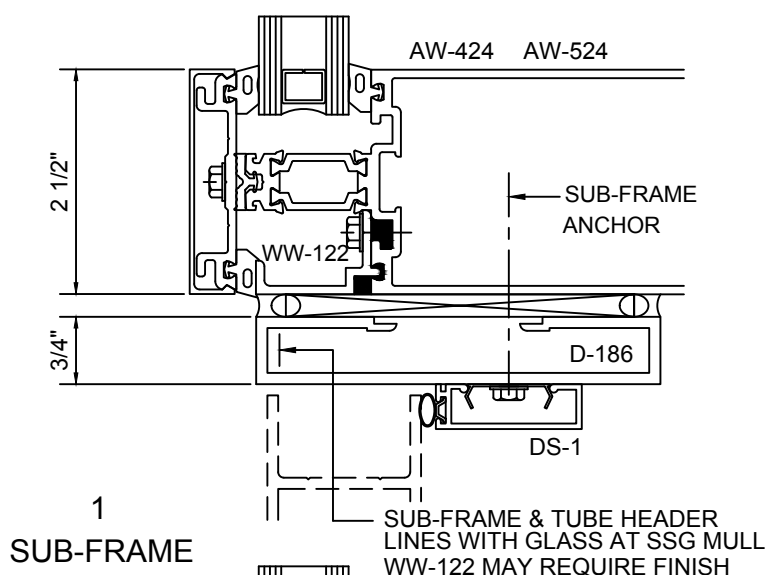
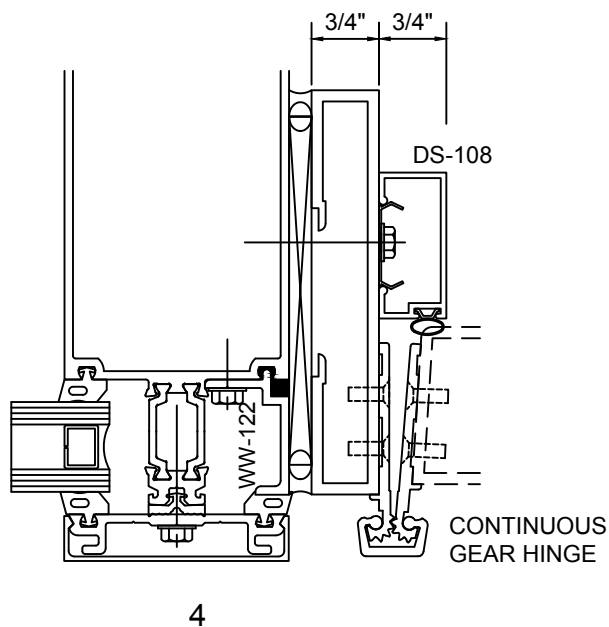
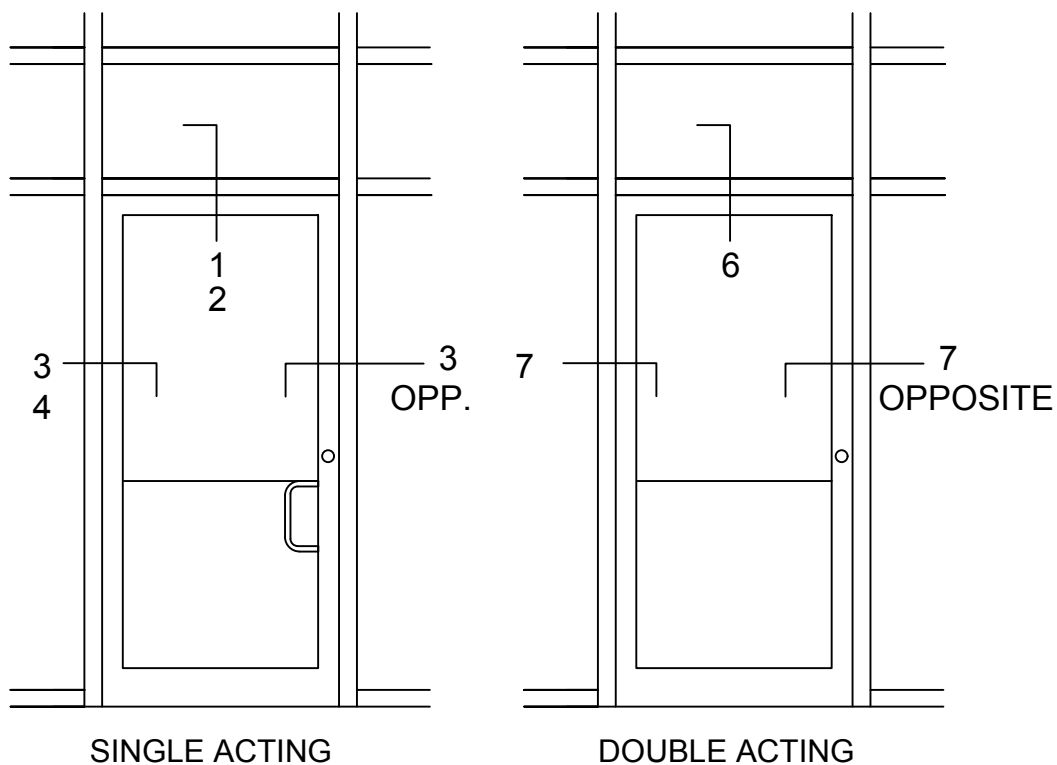
11
SUB-FRAME



Note: Ref Installation Manual for additional info.

* Alternate door stop as required

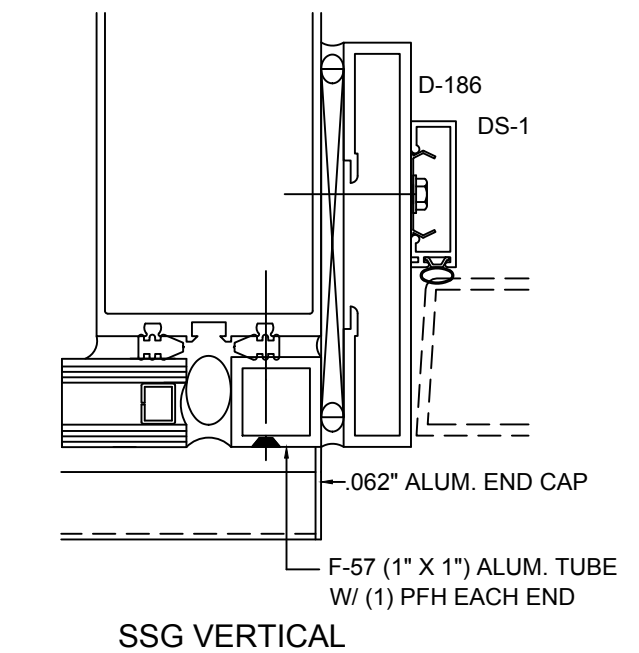
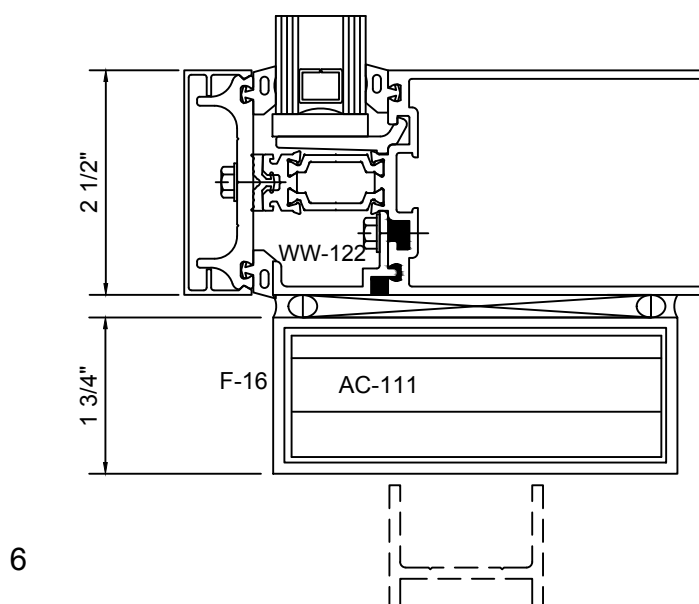
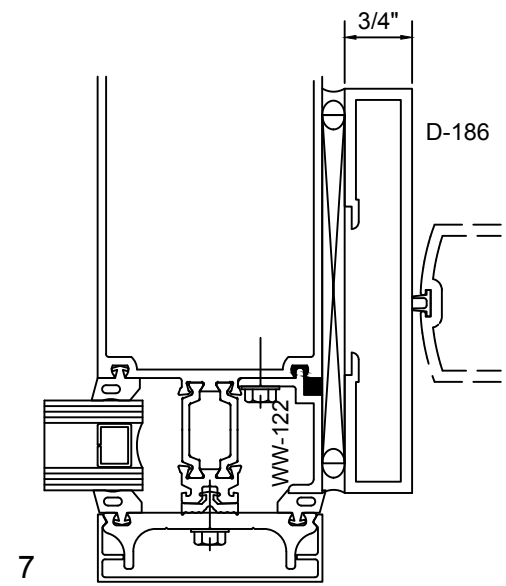
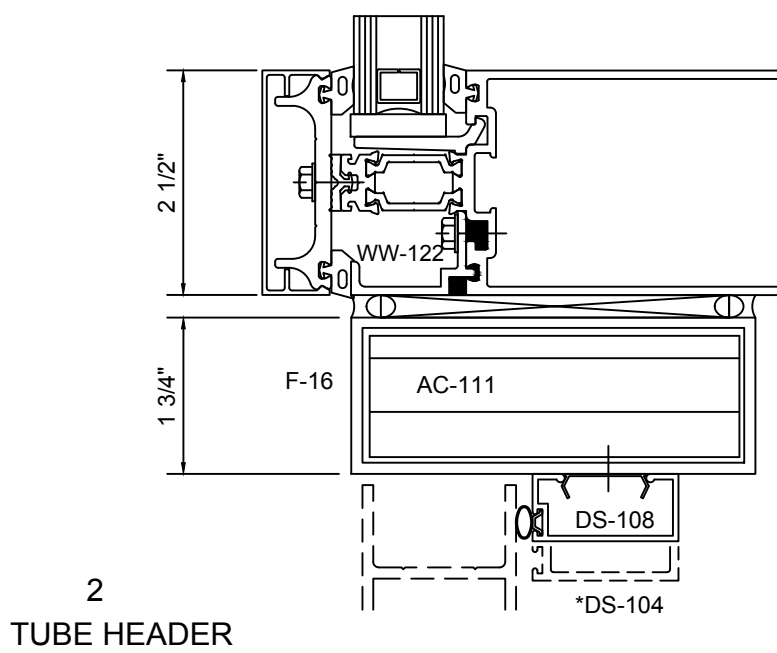
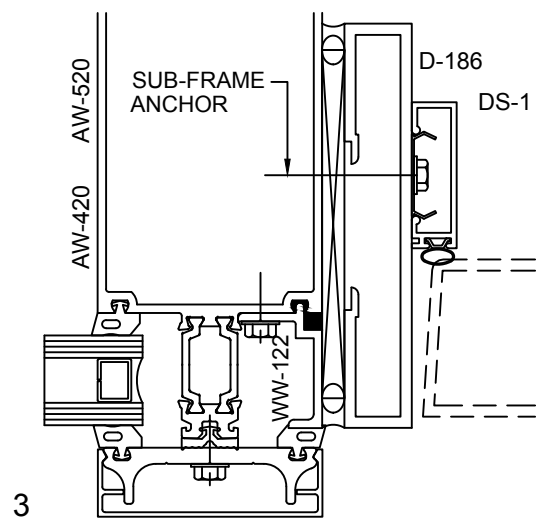
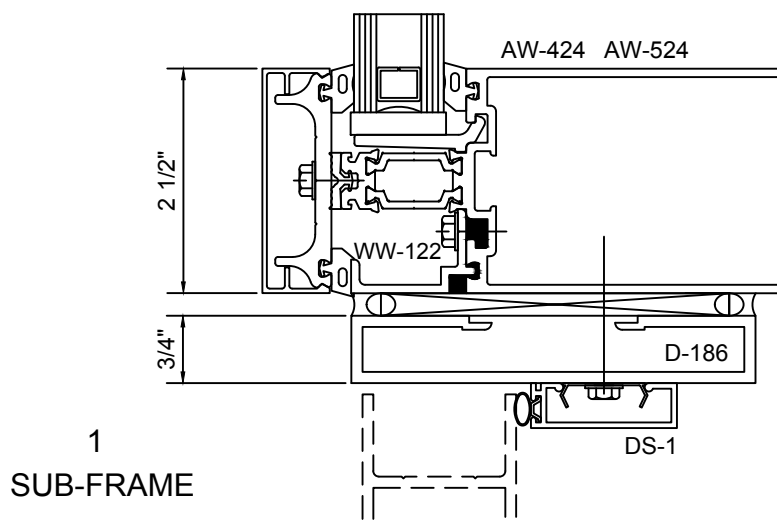
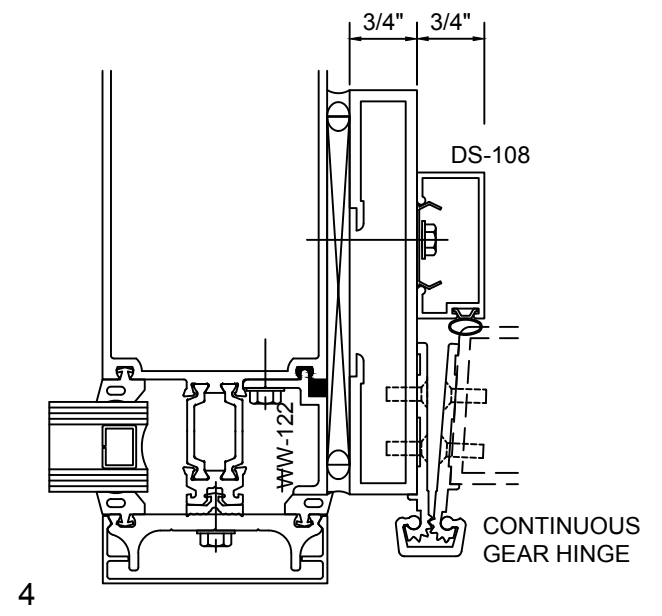
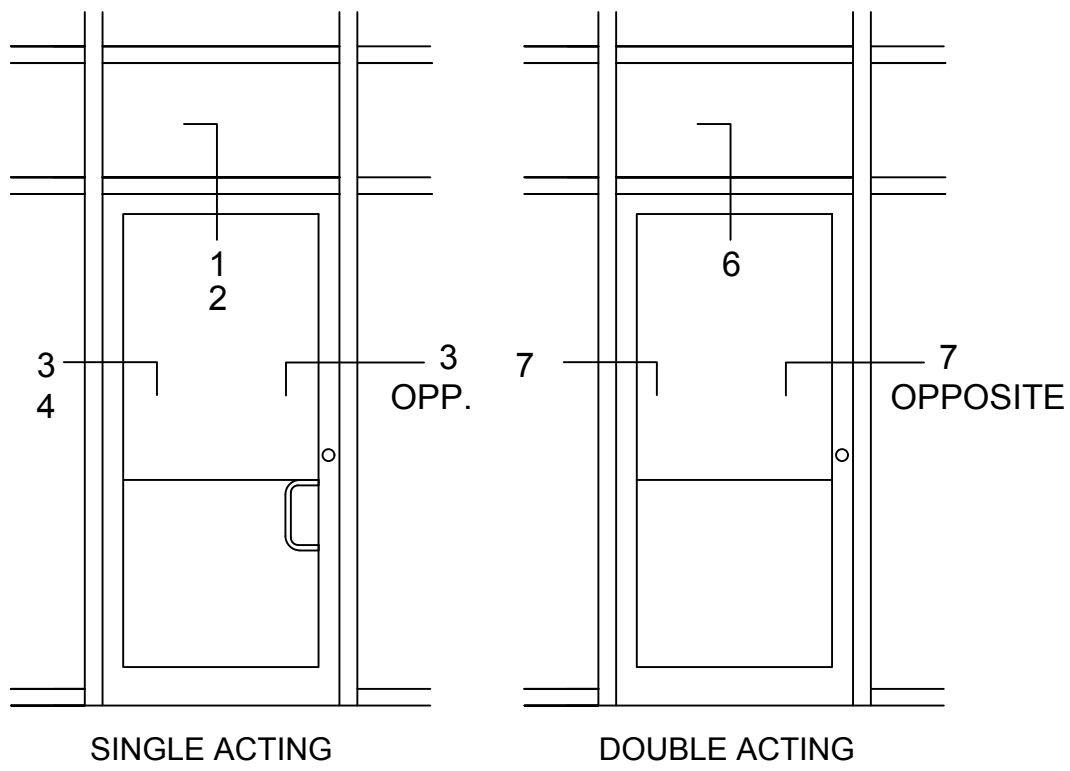
RELIANCE-TC HORIZONTAL & VERTICAL AT STANDARD DOOR & FRAME



Note: Ref Installation Manual for additional info.

* Alternate door stop as required

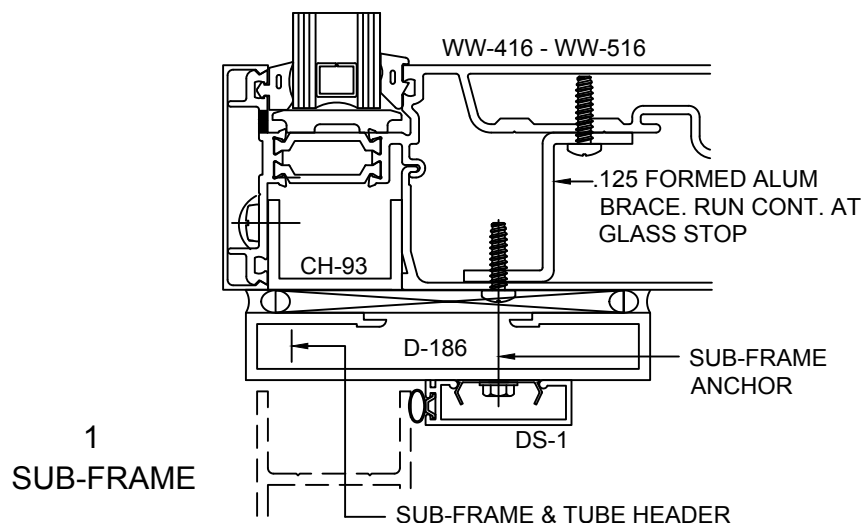
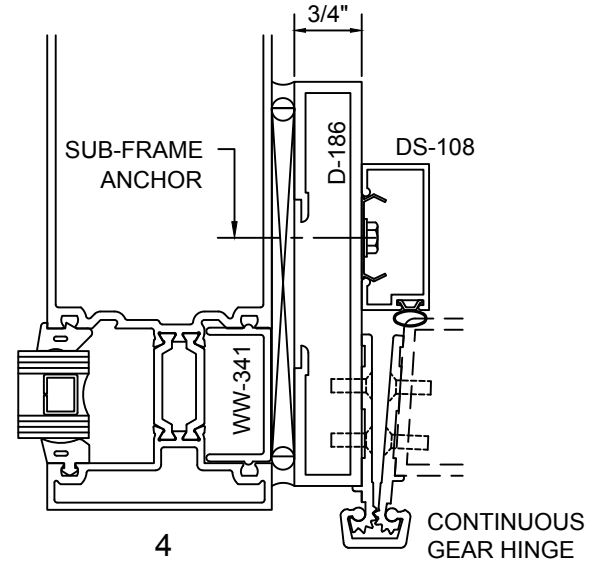
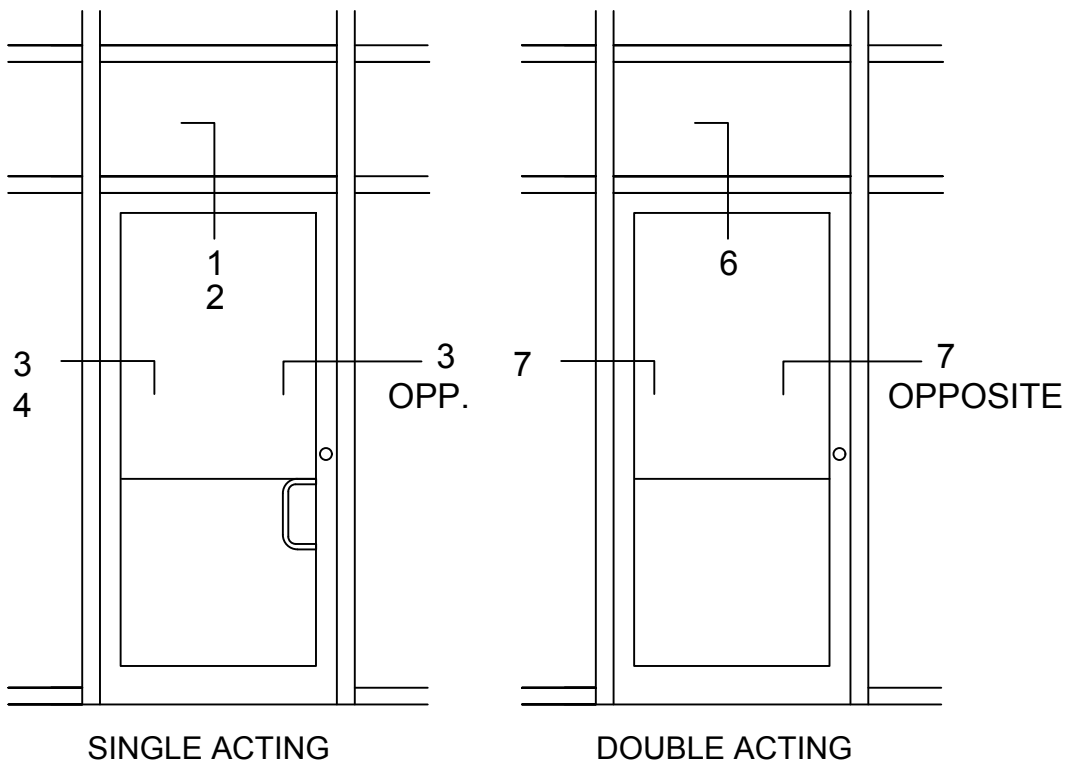
RELIANCE-TC WITH FRP PRESSURE PLATE AT STANDARD DOOR & FRAME



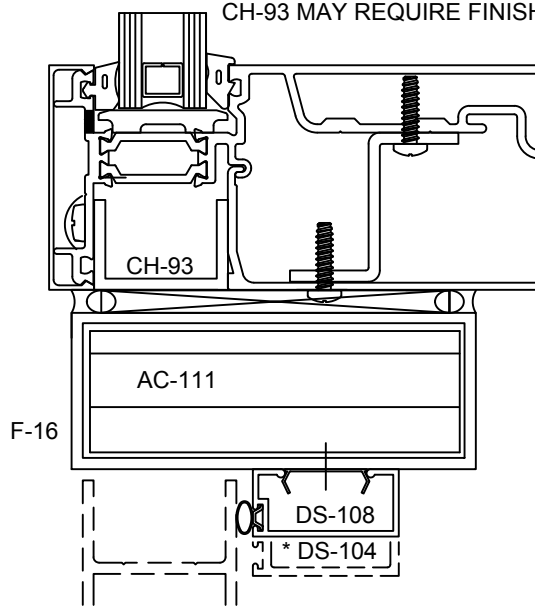
Note: Ref Installation Manual for additional info.

* Alternate door stop as required

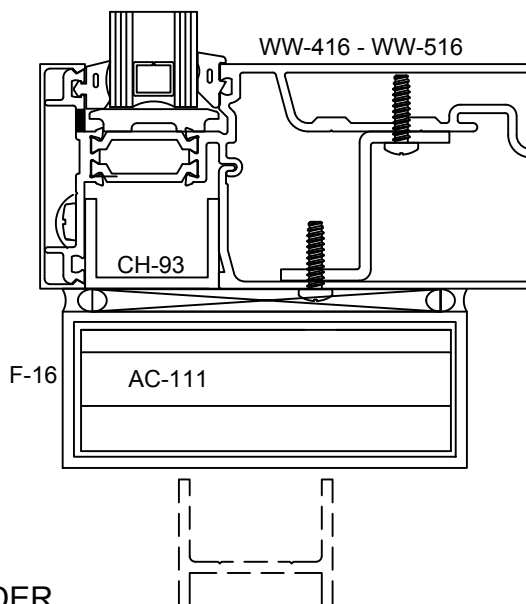
RELIANCE-TCIG CURTAIN WALL AT STANDARD DOOR & FRAME



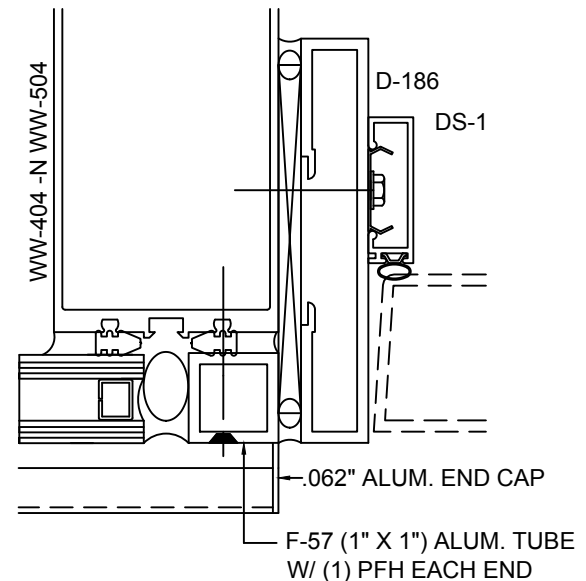
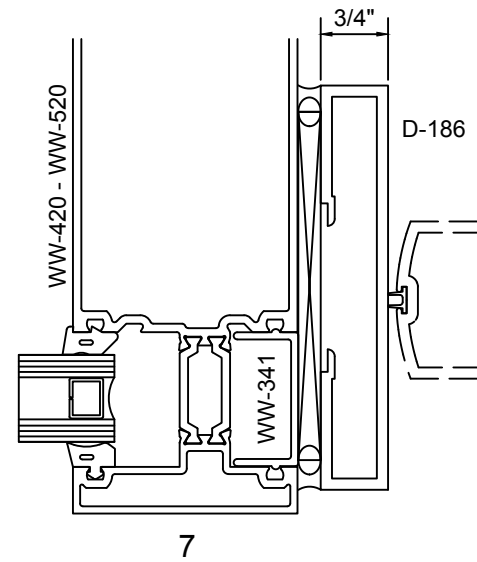
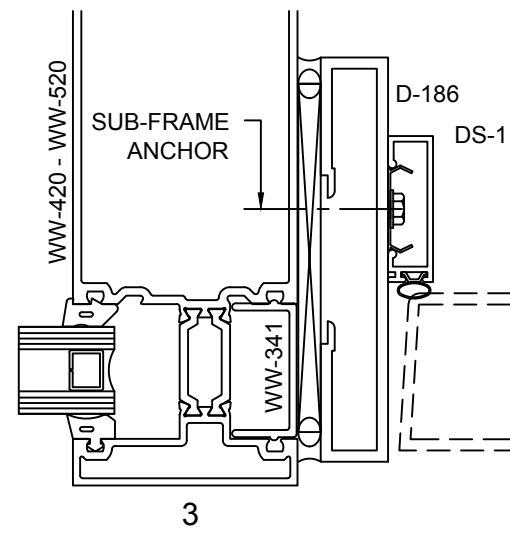
SUB-FRAME & TUBE HEADER LINES WITH GLASS AT SSG MULL CH-93 MAY REQUIRE FINISH



2 TUBE HEADER



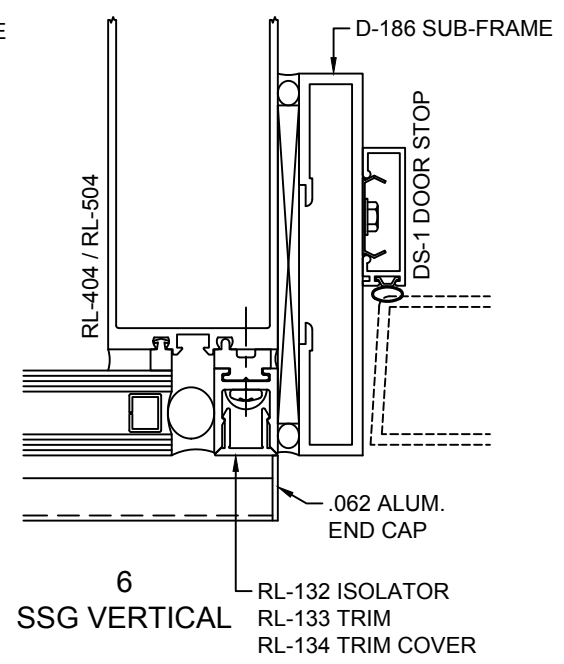
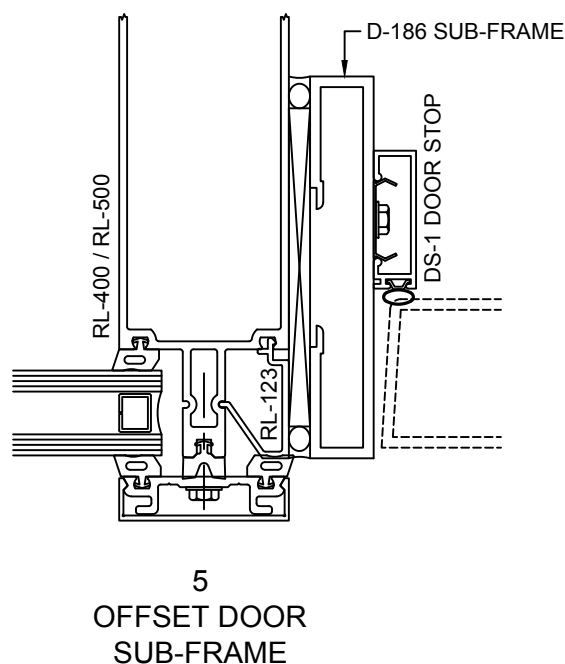
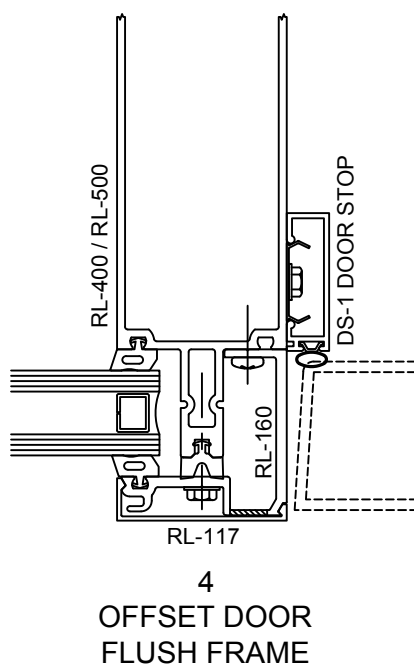
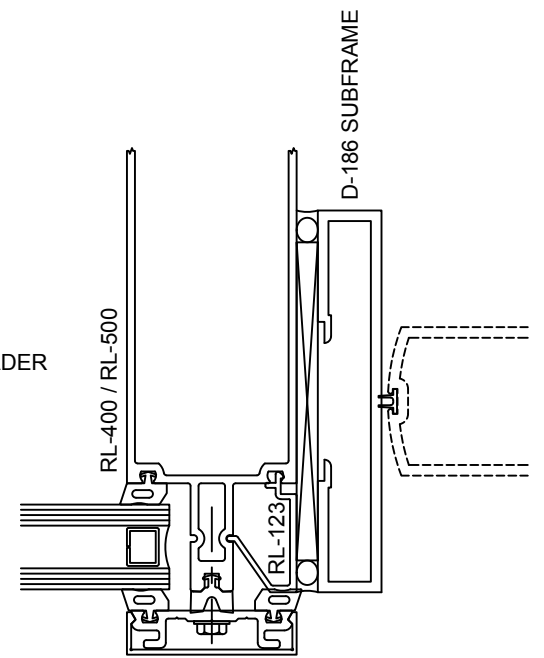
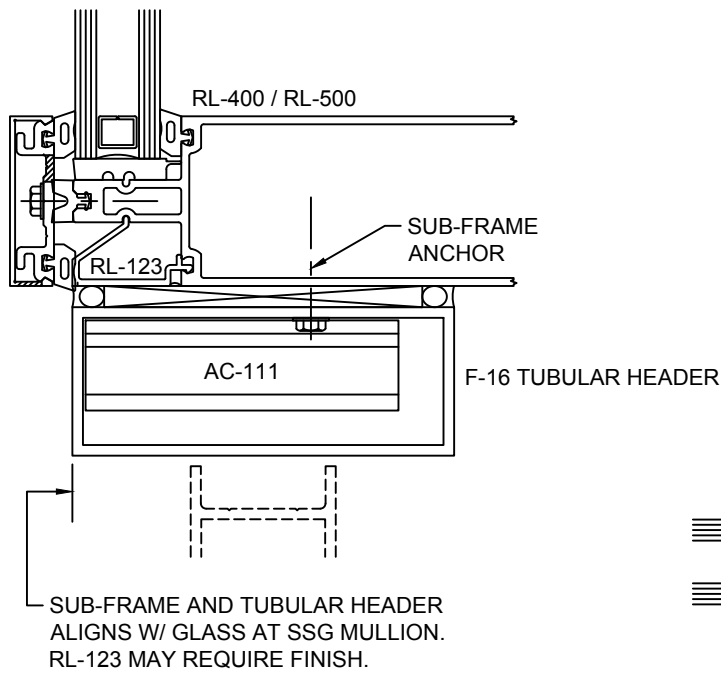
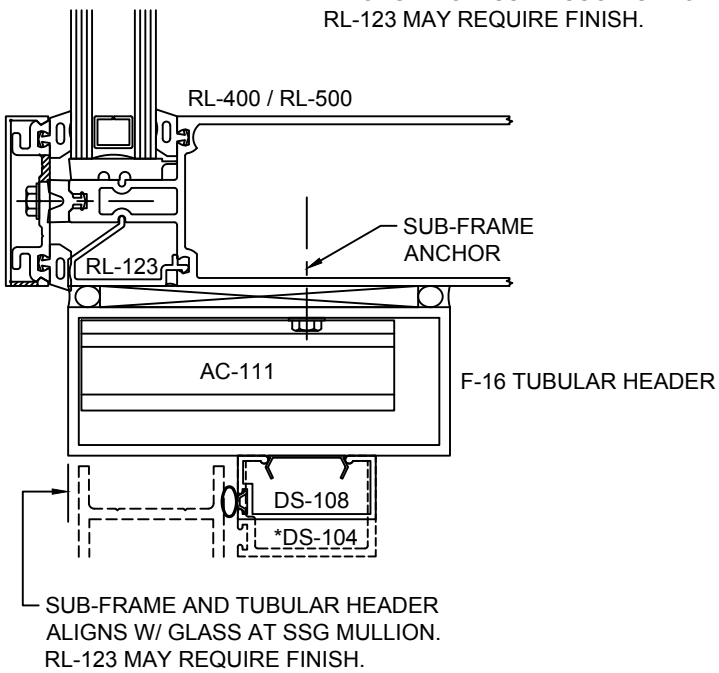
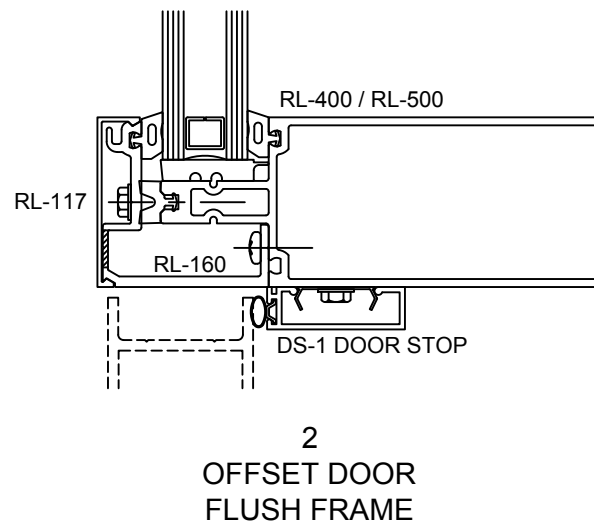
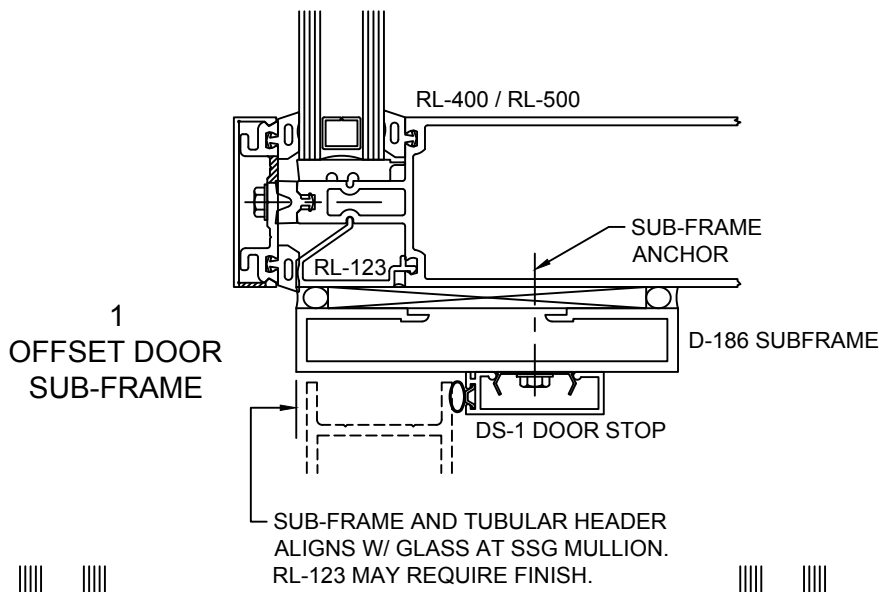
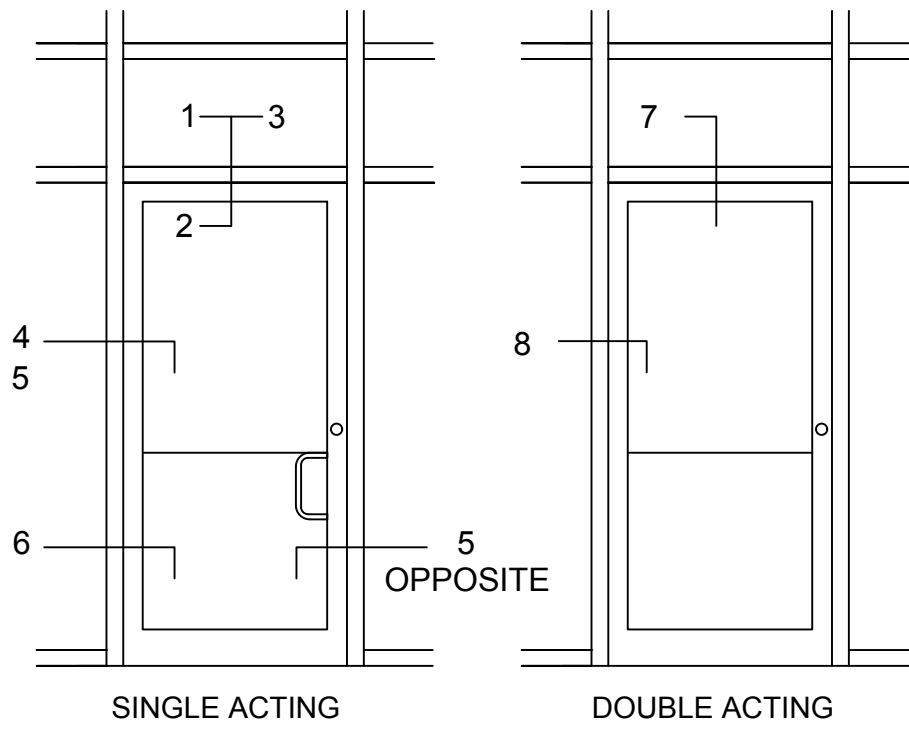
6 TUBE HEADER



Note: Ref Installation Manual for additional info.

* Alternate door stop as required

RELIANCE-LT HORIZONTAL & VERTICAL AT STANDARD DOOR & FRAME 1" GLASS IN FRAME



Note: Ref Installation Manual for additional info.

* Alternate door stop as required