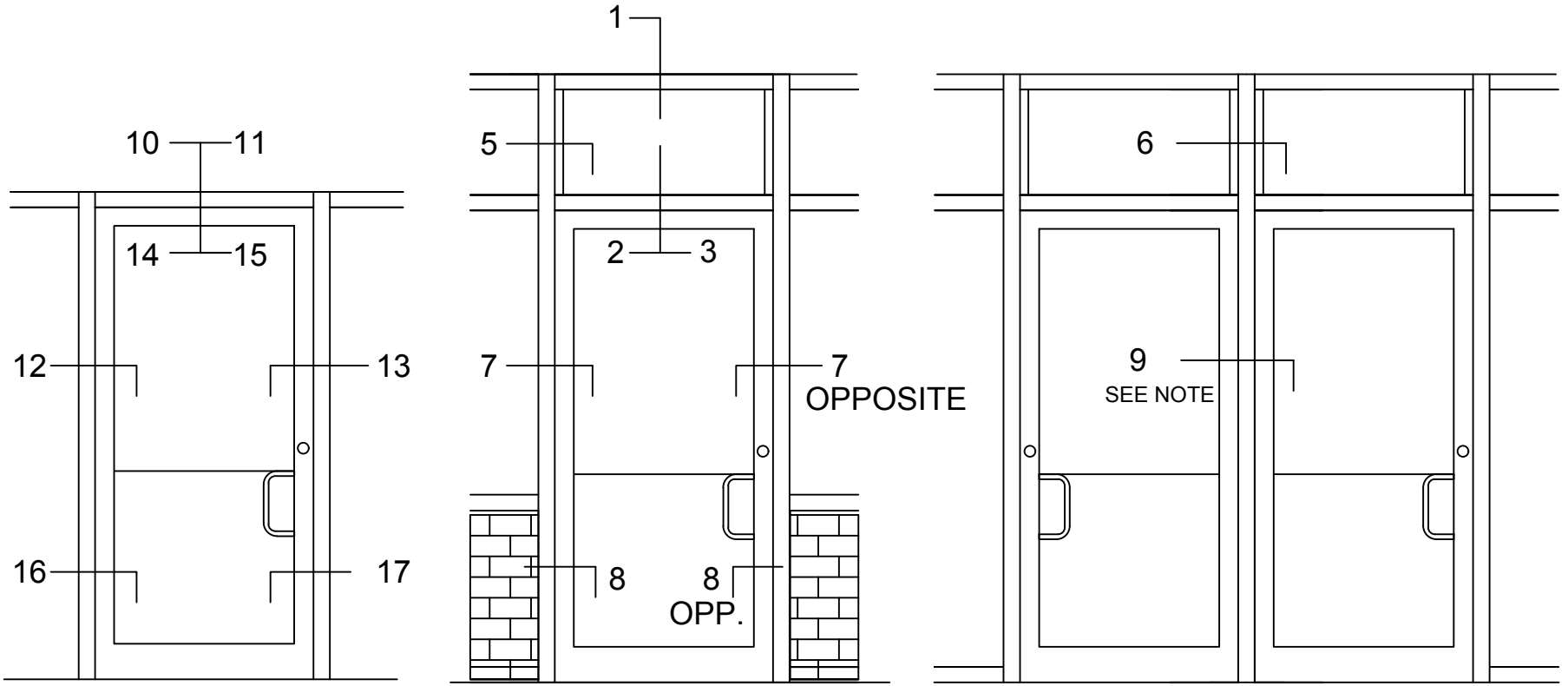


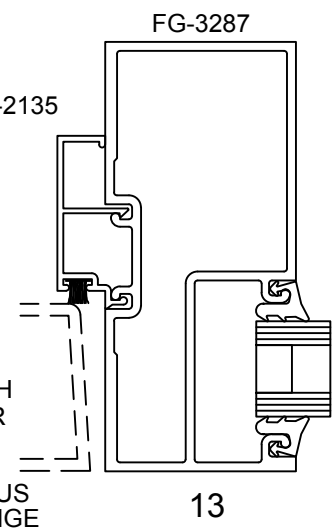
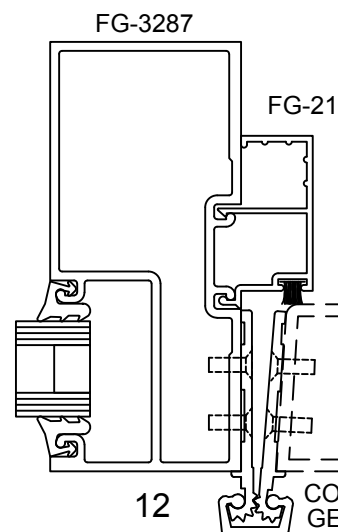
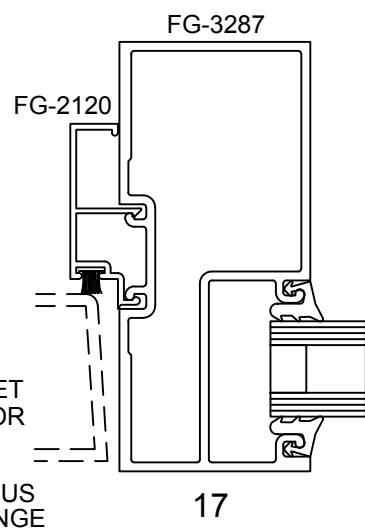
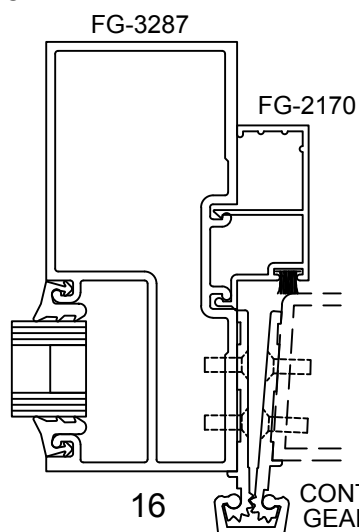
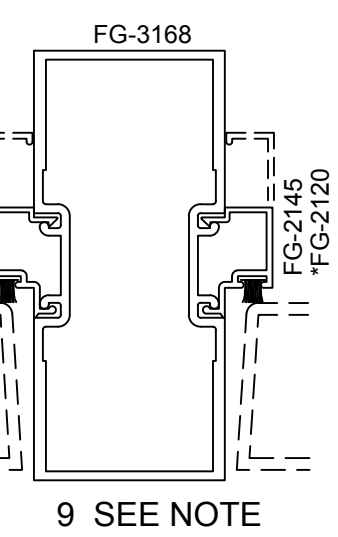
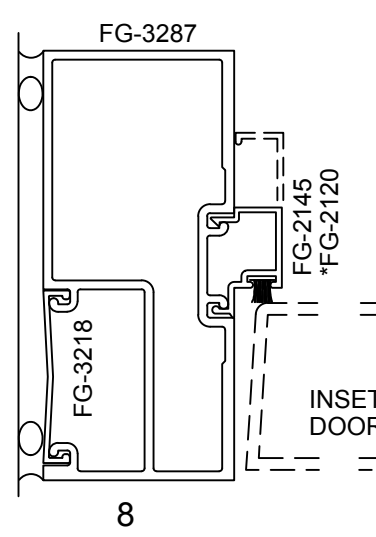
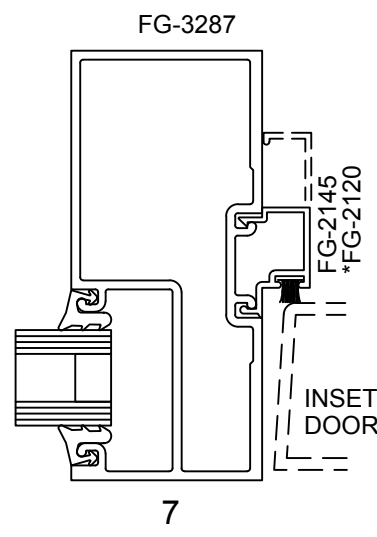
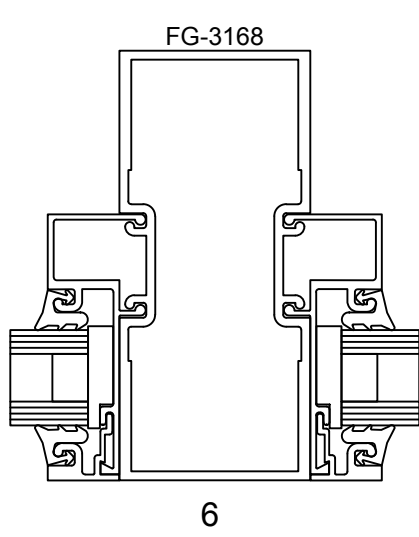
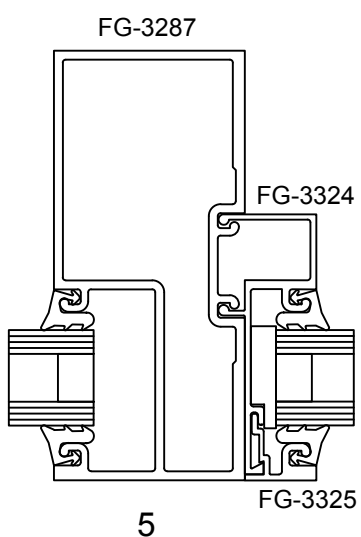
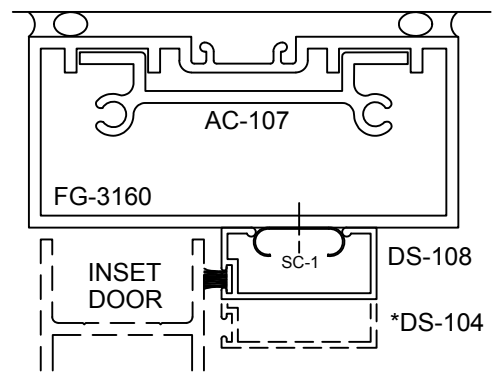
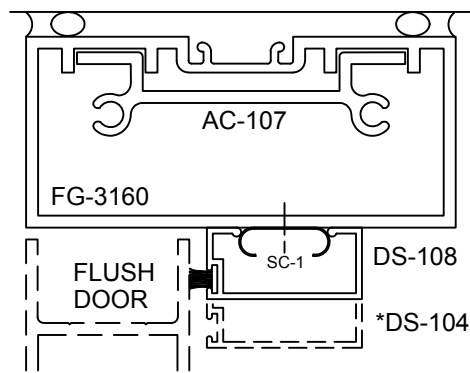
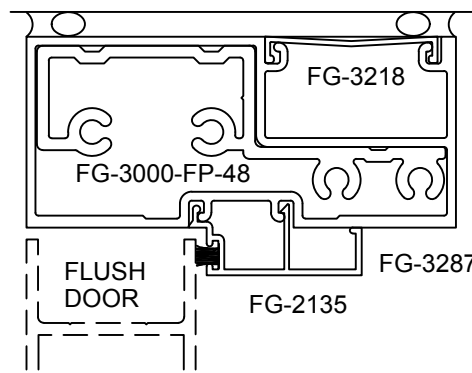
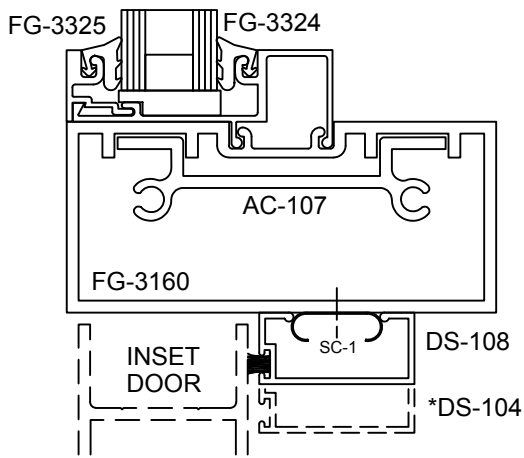
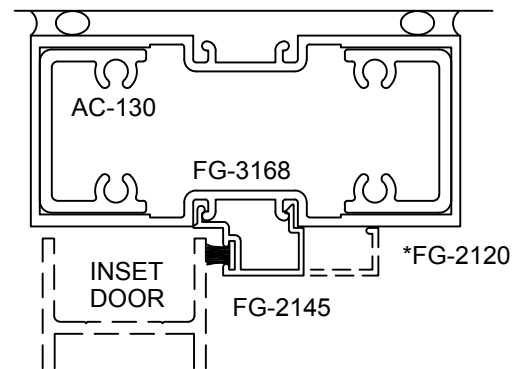
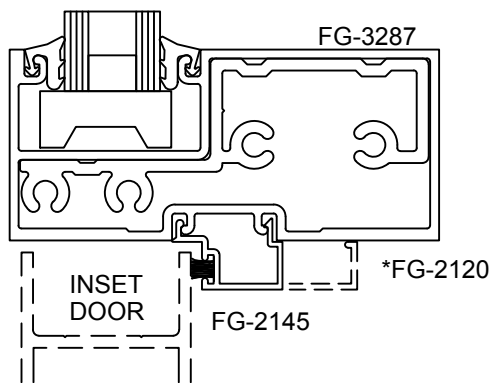
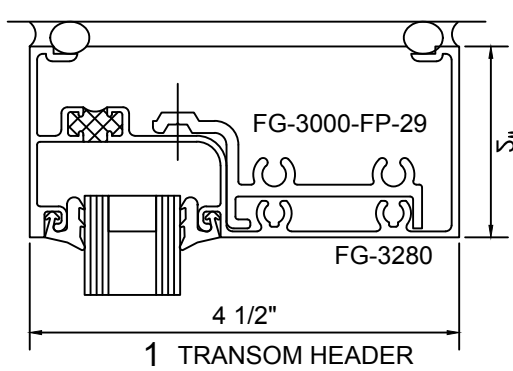
# SERIES 3000MP FRONT SET - SINGLE ACTING - STANDARD DOOR & FRAME - 1" GLASS IN FRAME



**OPTIONS**

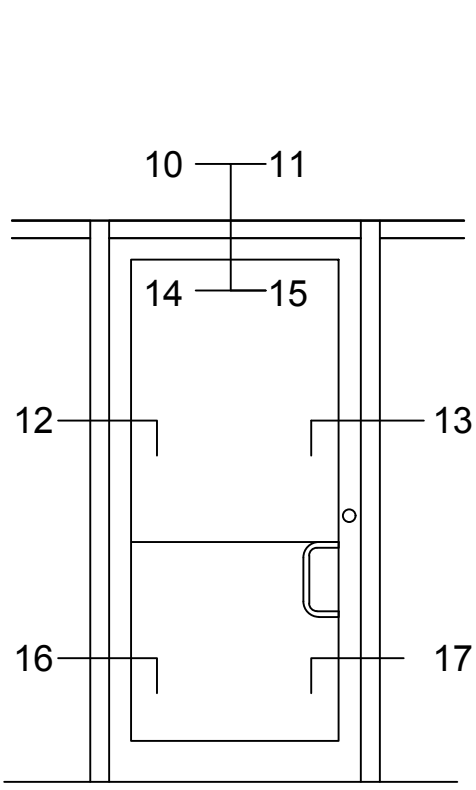
**STANDARD DOOR**

NOTE: DOORS CAN NOT OPEN MORE THAN 89° WHEN JAMB IS HINGED ON BOTH SIDES

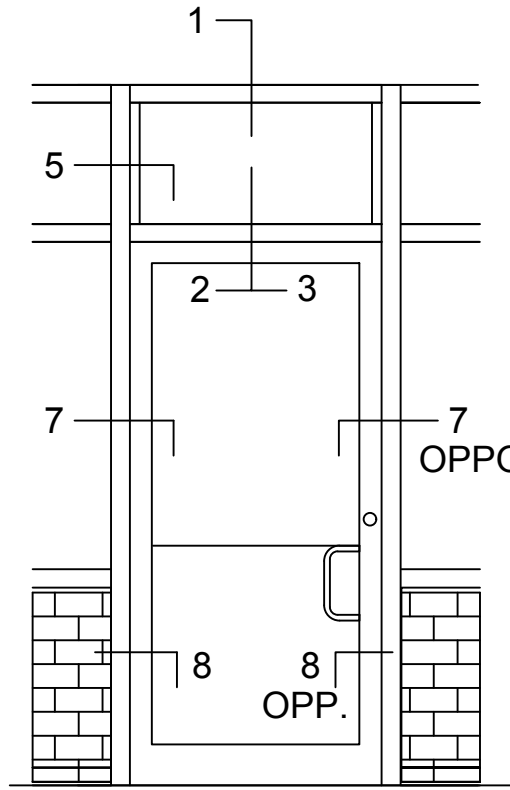


Note: Ref Installation Manual for additional info. \* Alternate door stop as required.

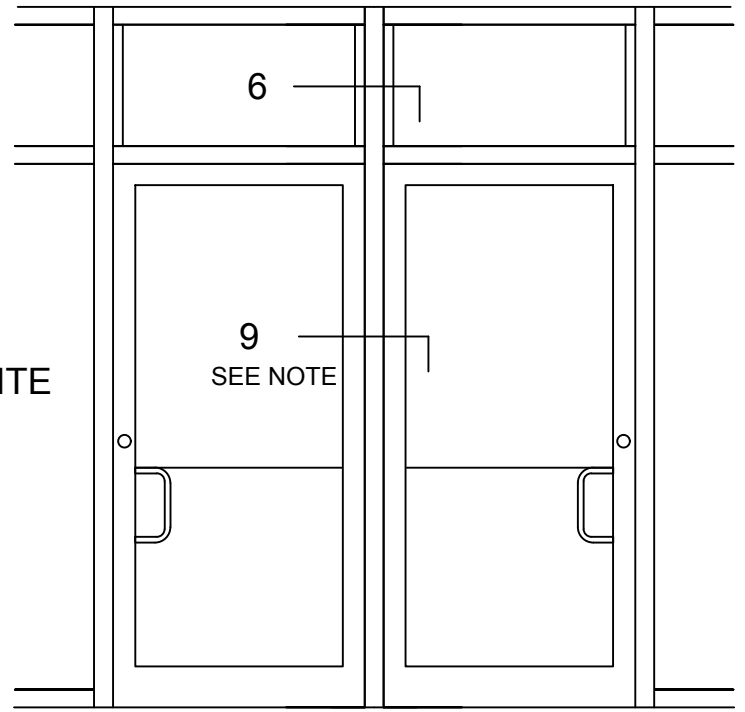
# SERIES 3000MP BACK SET - SINGLE ACTING - STANDARD DOOR & FRAME - 1" GLASS IN FRAME



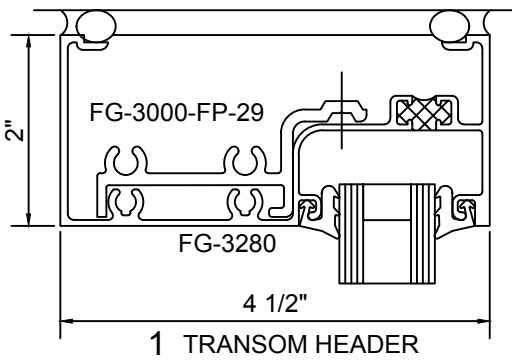
**OPTIONS**



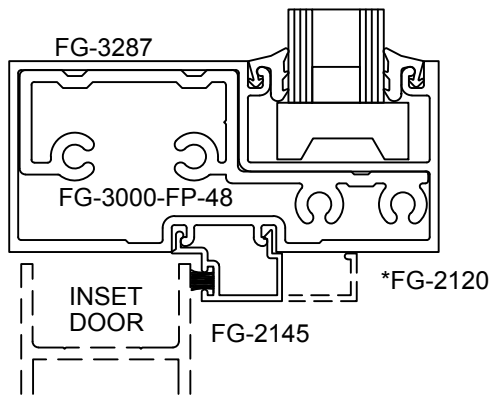
**STANDARD DOOR**



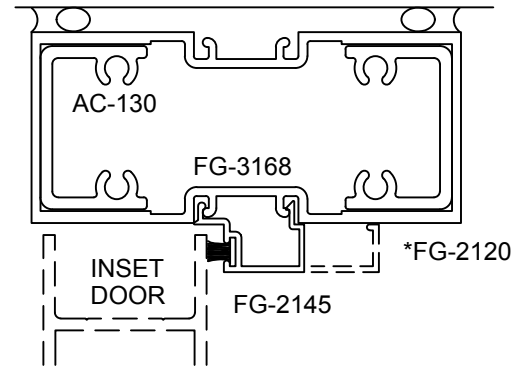
NOTE: DOORS CAN NOT OPEN MORE THAN 89° WHEN JAMB IS HINGED ON BOTH SIDES



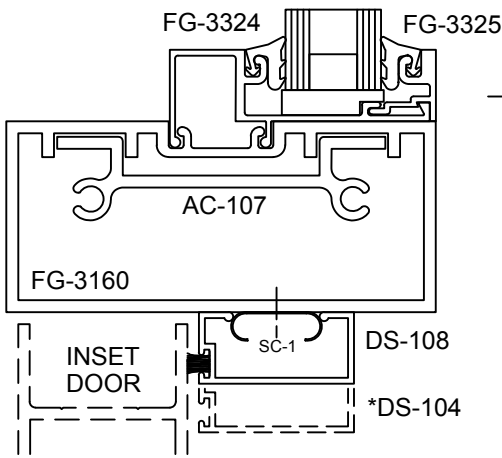
**1 TRANSOM HEADER**



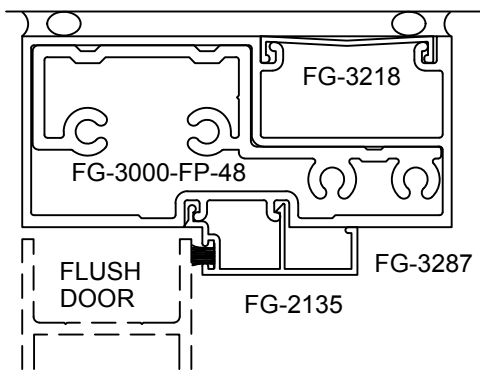
**3 SURFACE CLOSER**



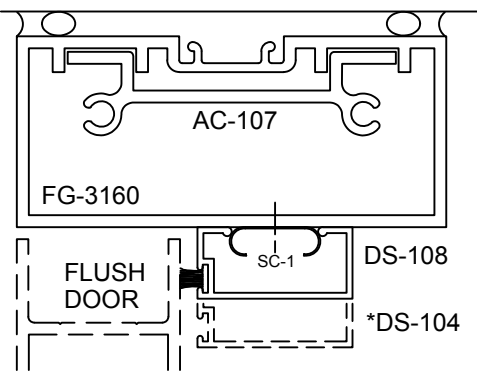
**14 SURFACE CLOSER**



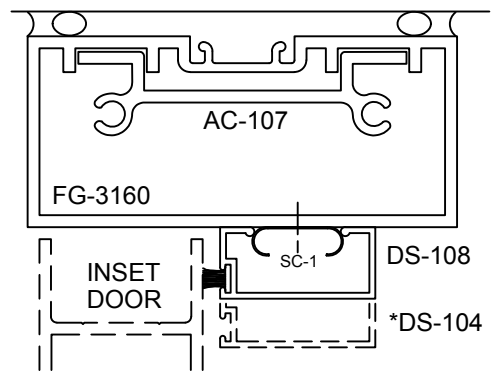
**2 CONCEALED CLOSER**



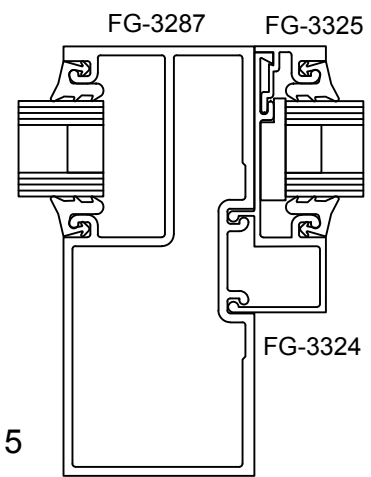
**10 SURFACE CLOSER**



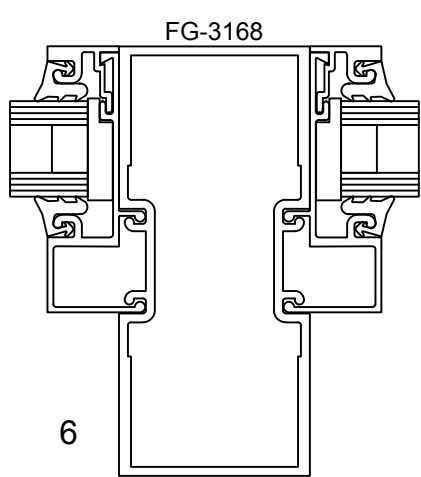
**11 CONCEALED CLOSER**



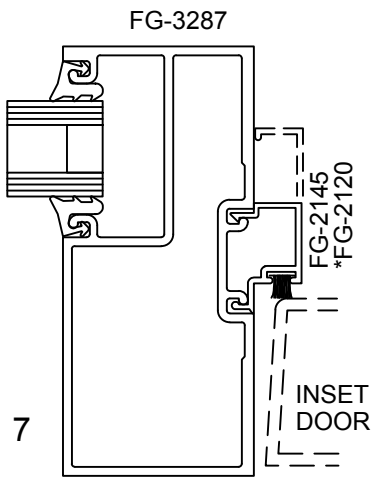
**15 CONCEALED CLOSER**



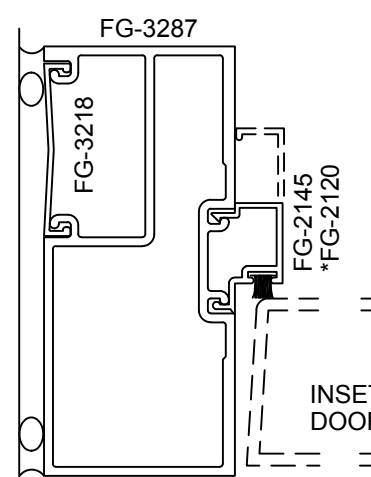
**5**



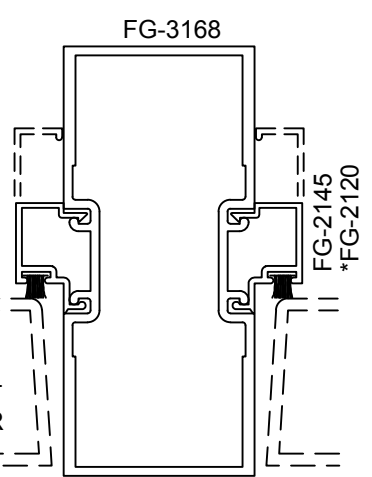
**6**



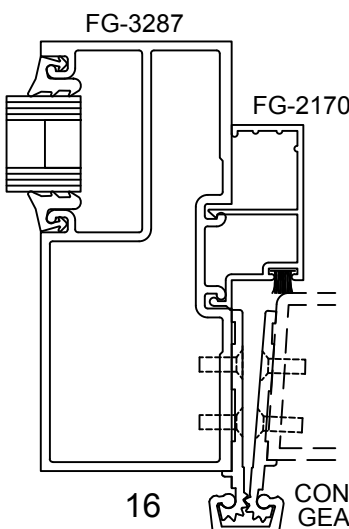
**7**



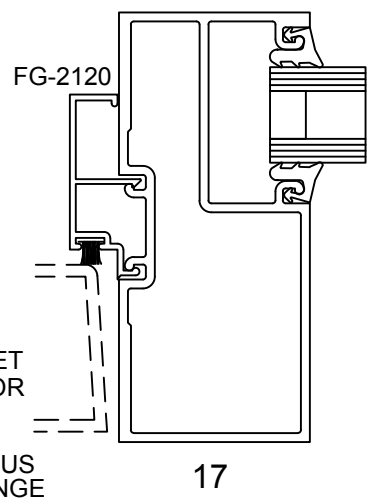
**8**



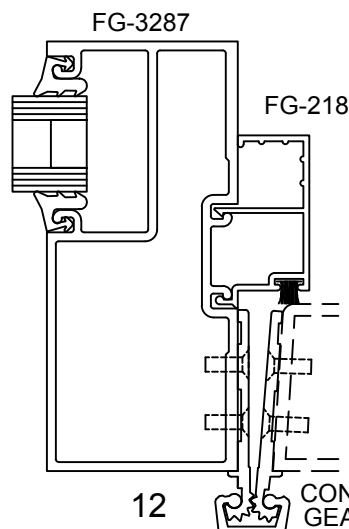
**9 SEE NOTE**



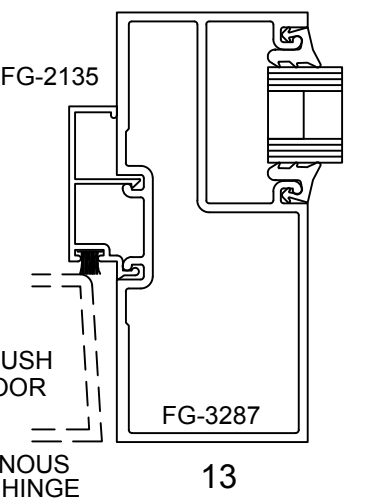
**16**



**17**



**12**

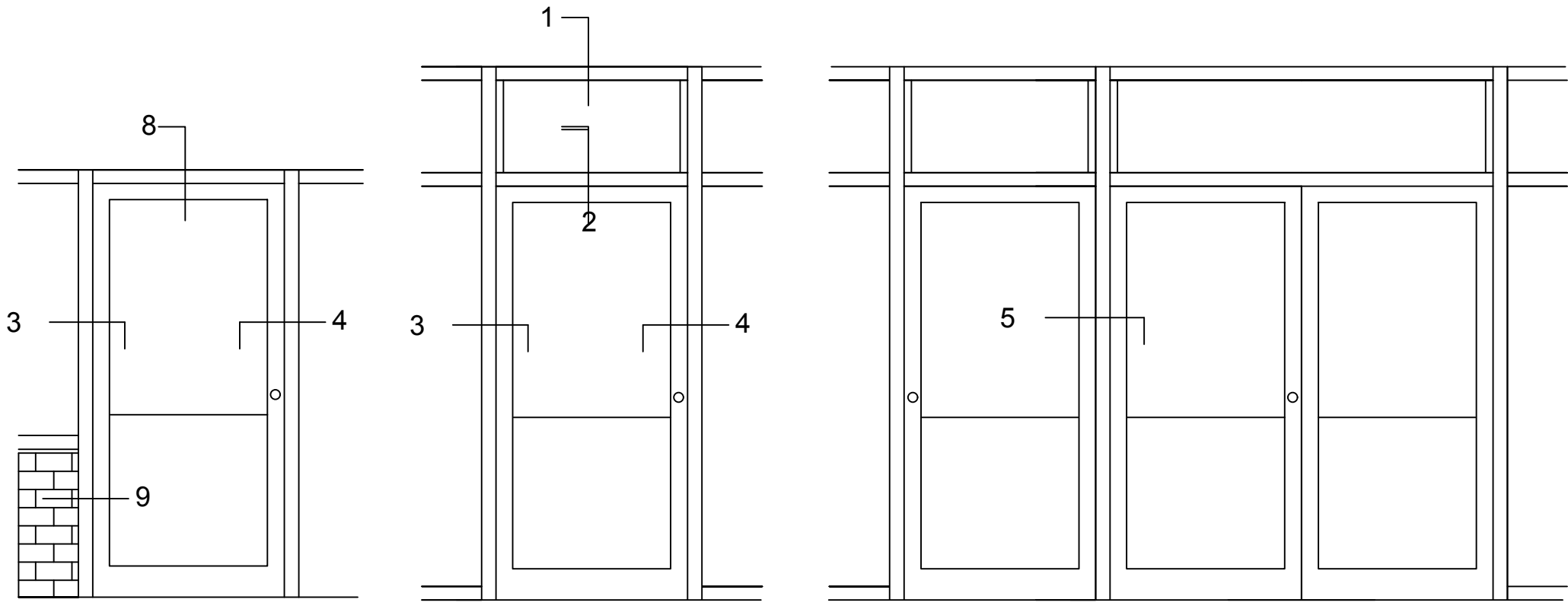


**13**

Note: Ref Installation Manual for additional info.

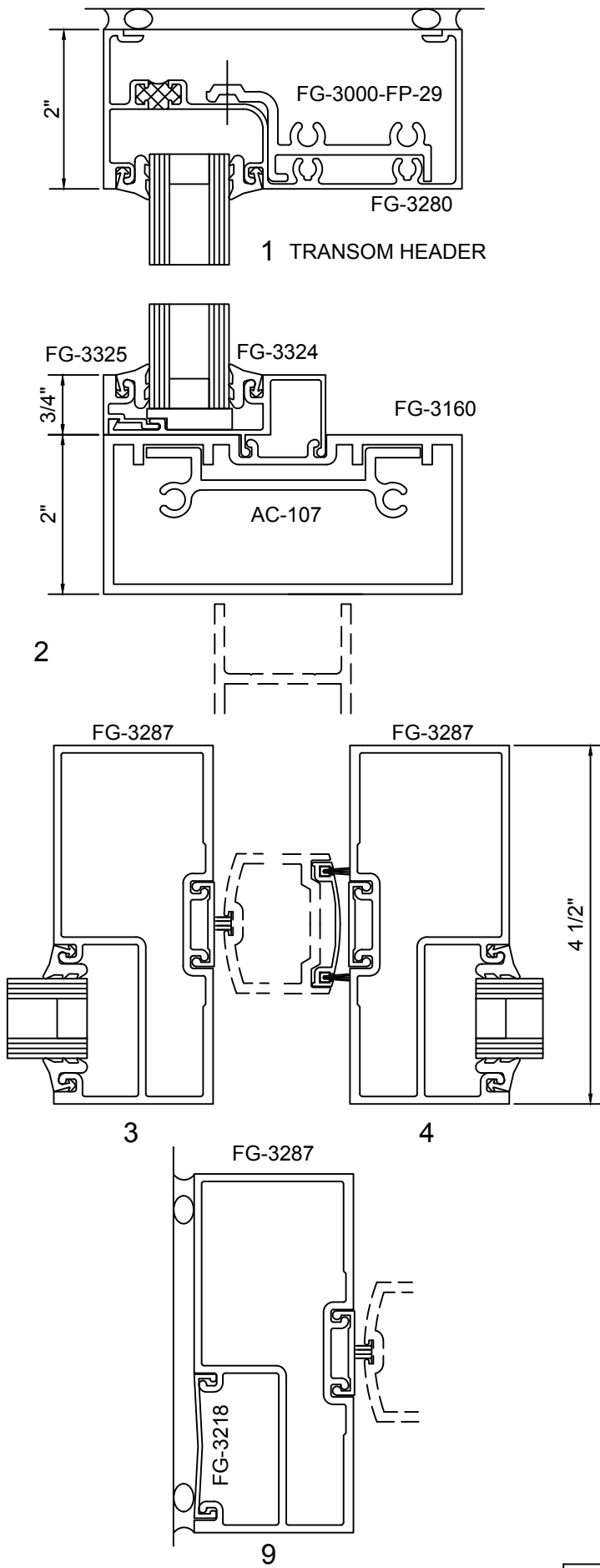
\* Alternate door stop as required.

# SERIES 3000MP FRONT/BACK SET - DOUBLE ACTING - STANDARD DOOR & FRAME - 1" GLASS IN FRAME

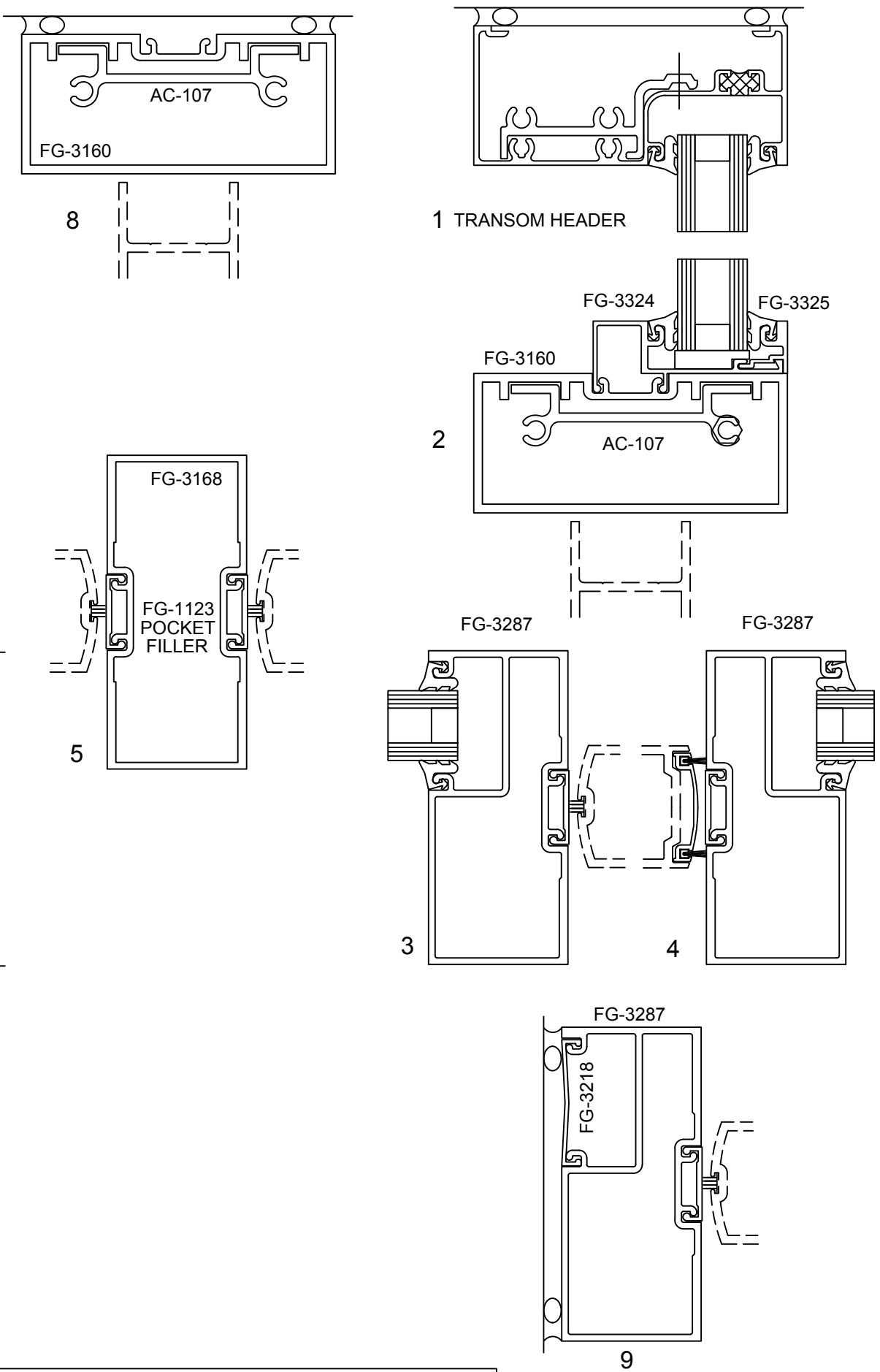


DOUBLE ACTING DOOR

## FRONT SET

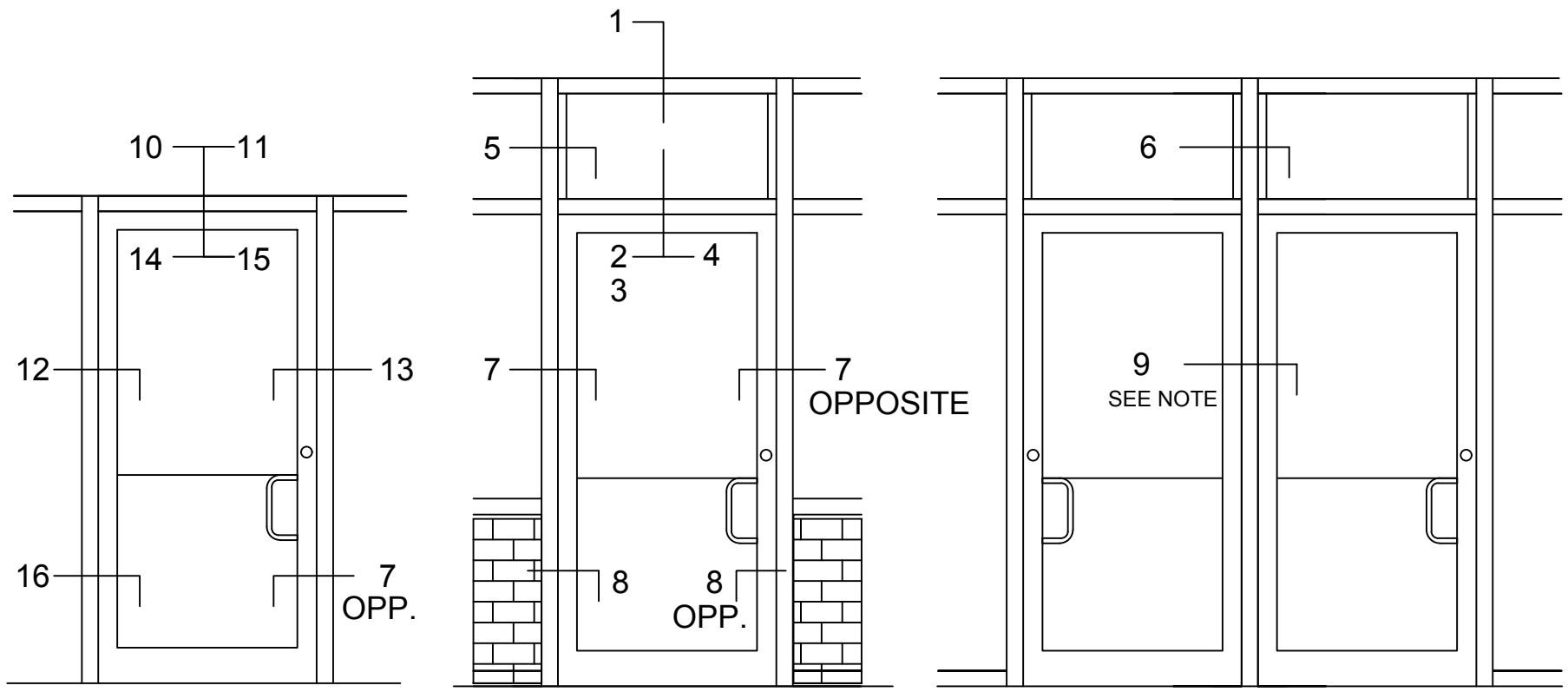


## BACK SET



Note: Ref Installation Manual for additional info.

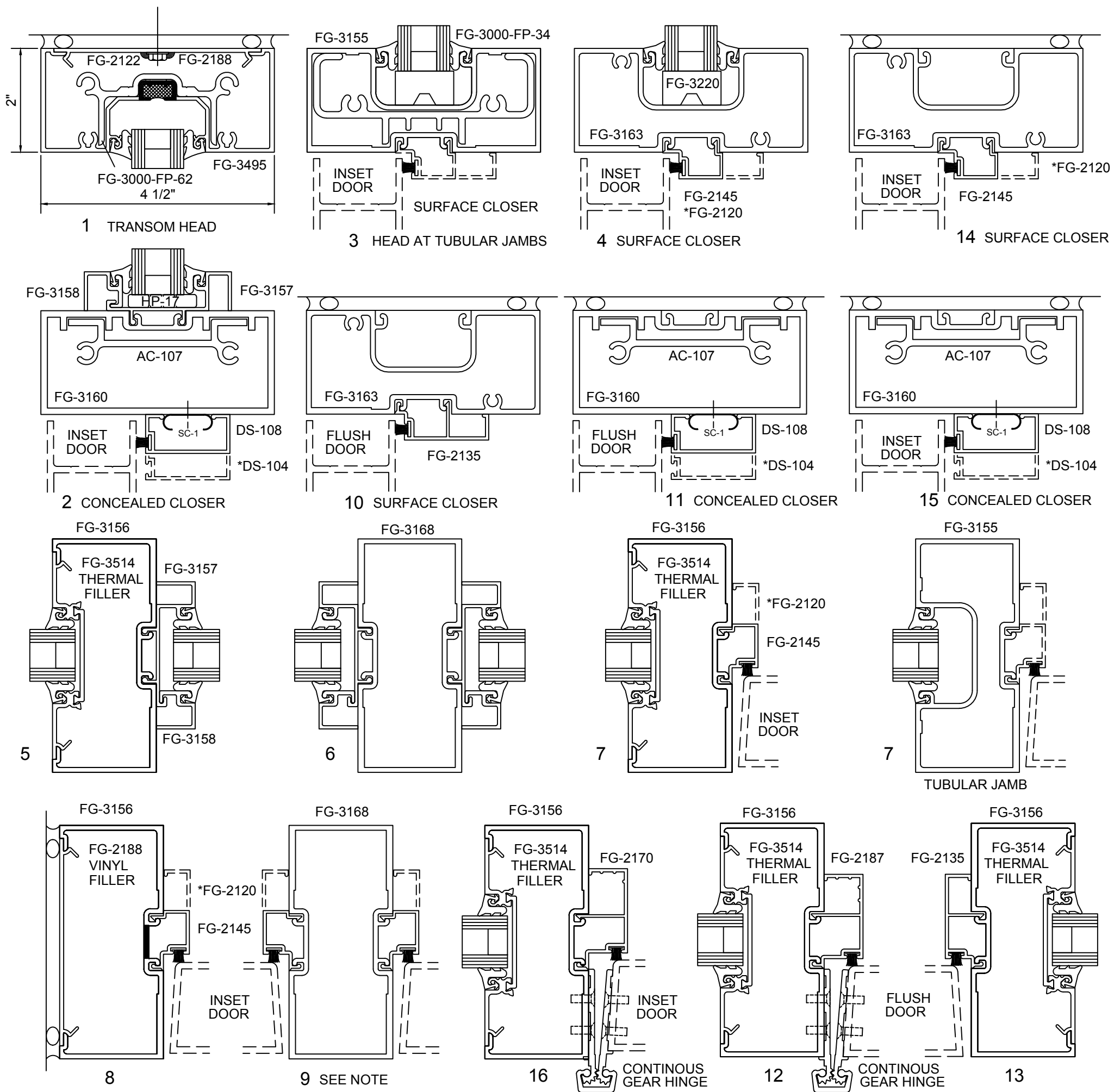
# SERIES 3000MP CENTER SET - SINGLE ACTING - STANDARD DOOR & FRAME - 1" GLASS IN FRAME



NOTE: DOORS CAN NOT OPEN MORE THAN 89°  
WHEN JAMB IS HINGED ON BOTH SIDES

## OPTIONS

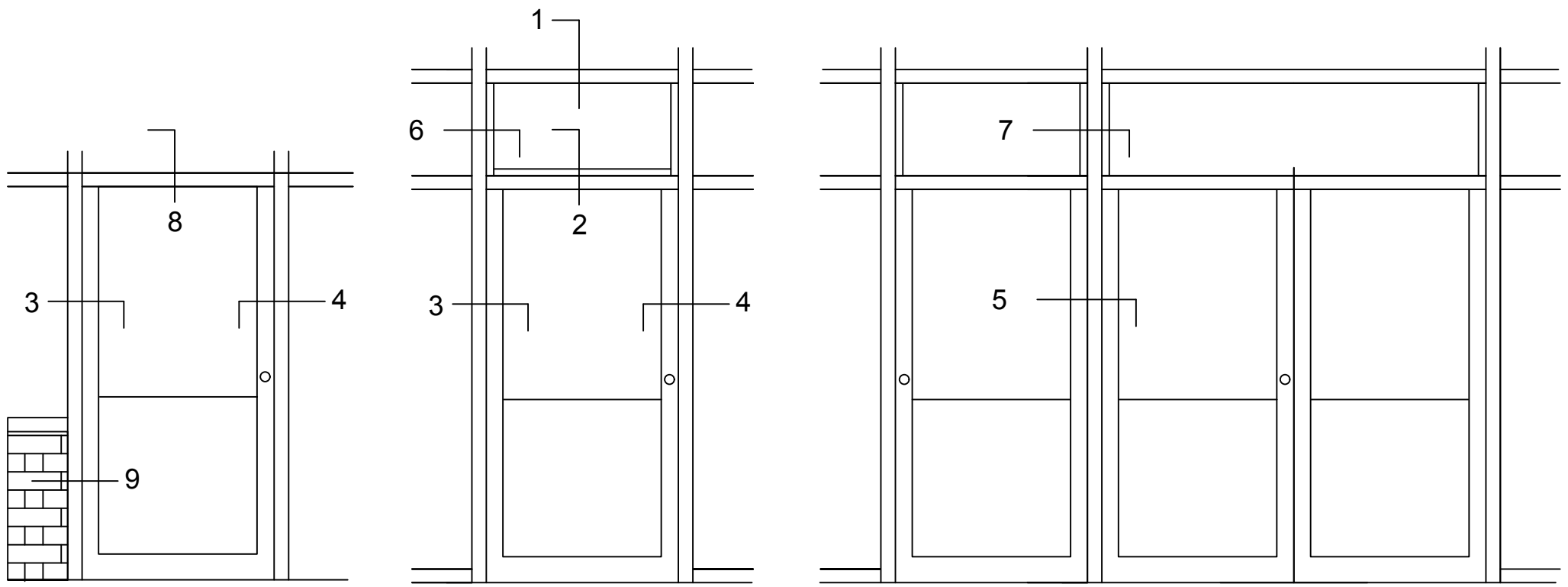
## STANDARD DOOR



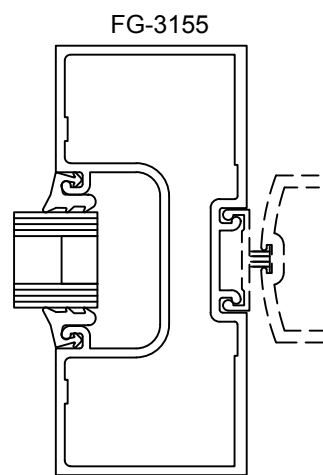
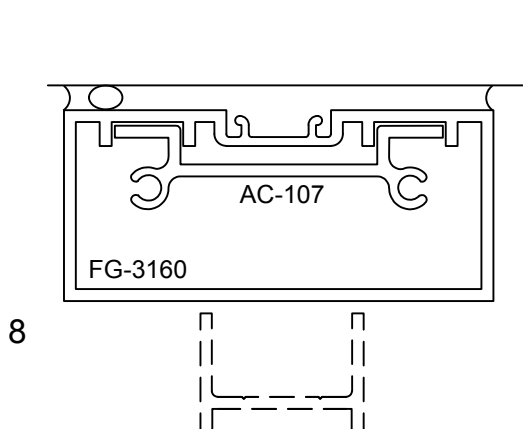
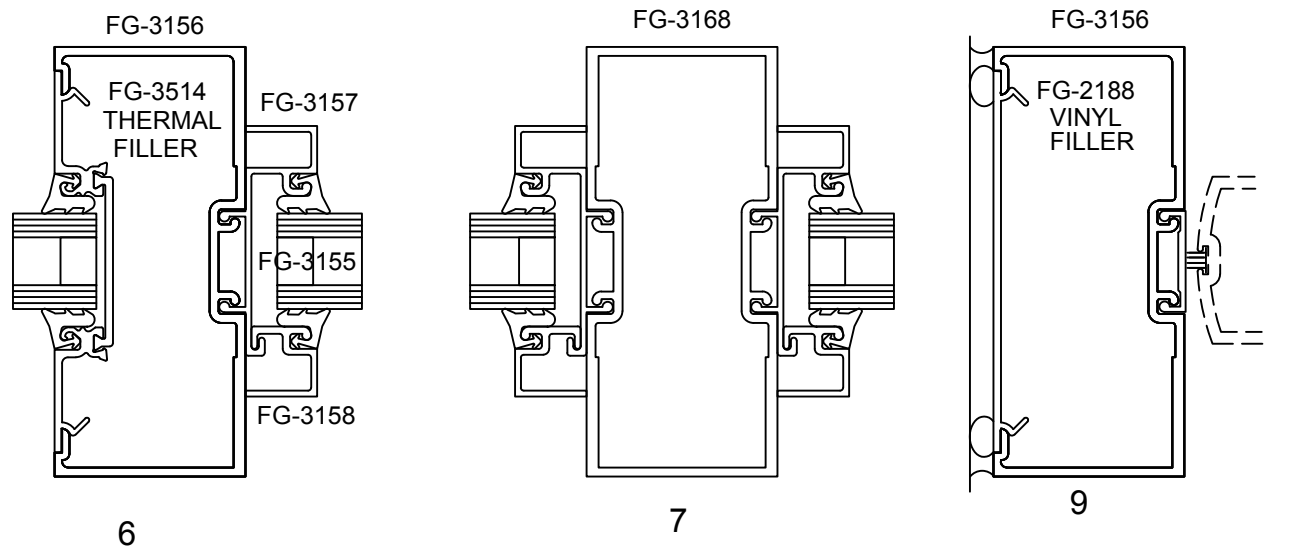
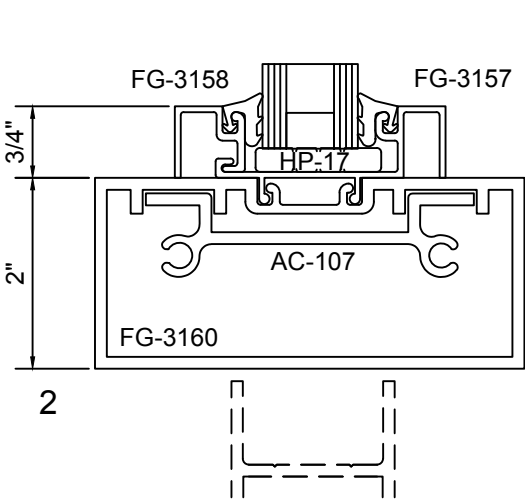
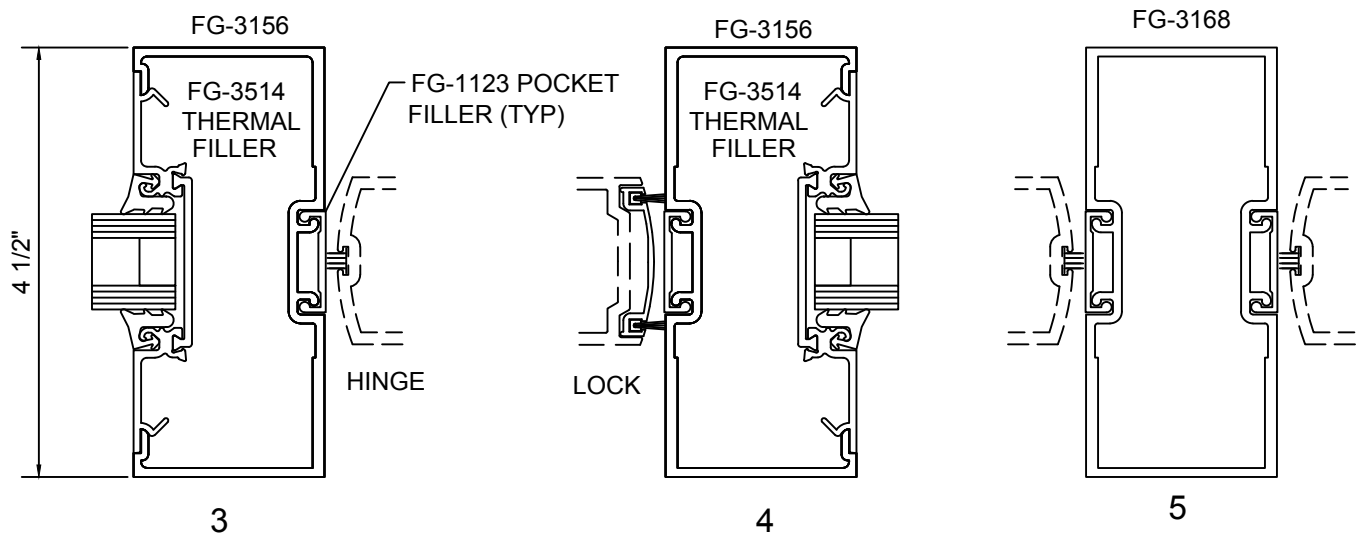
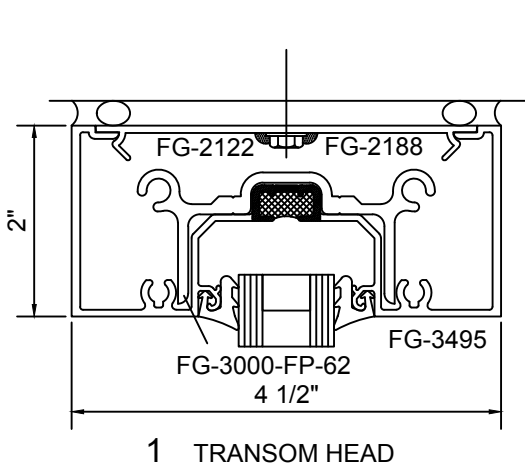
Note: Ref Installation Manual for additional info.

\* Alternate door stop as required.

# SERIES 3000MP CENTER SET - DOUBLE ACTING - STANDARD DOOR & FRAME - 1" GLASS IN FRAME



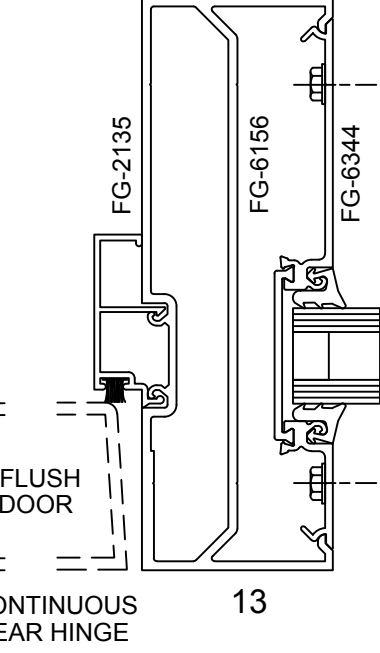
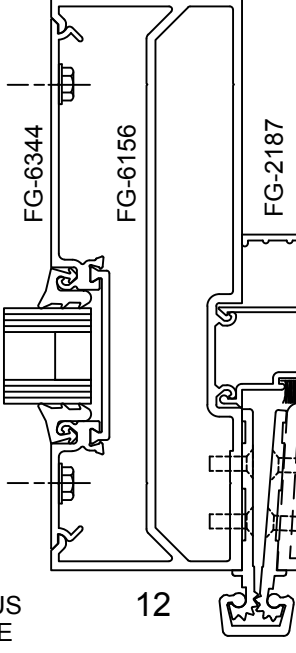
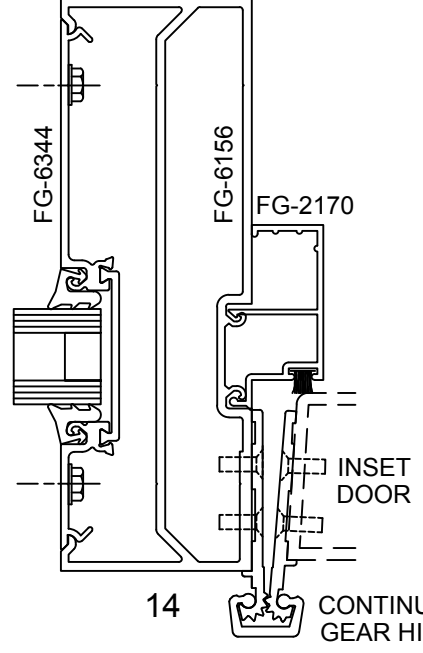
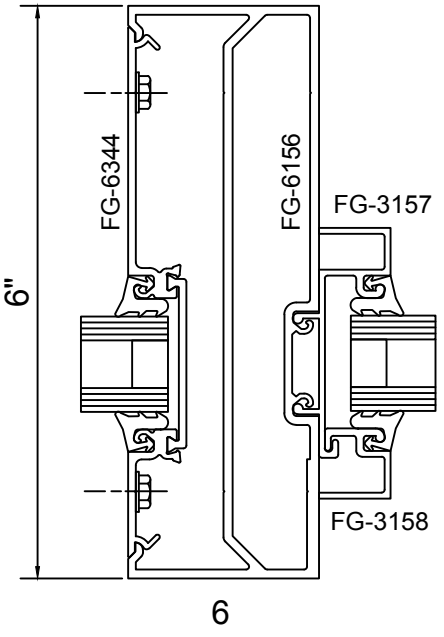
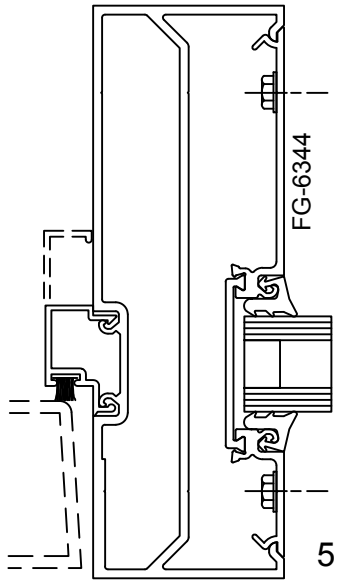
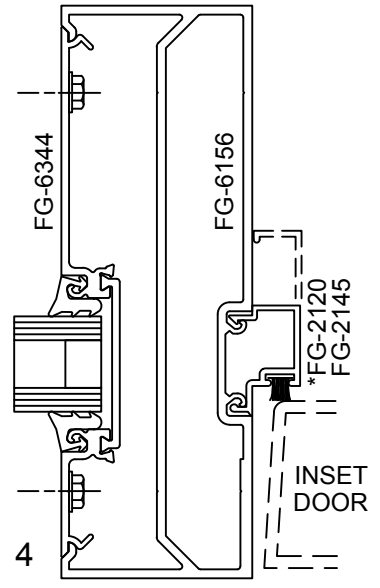
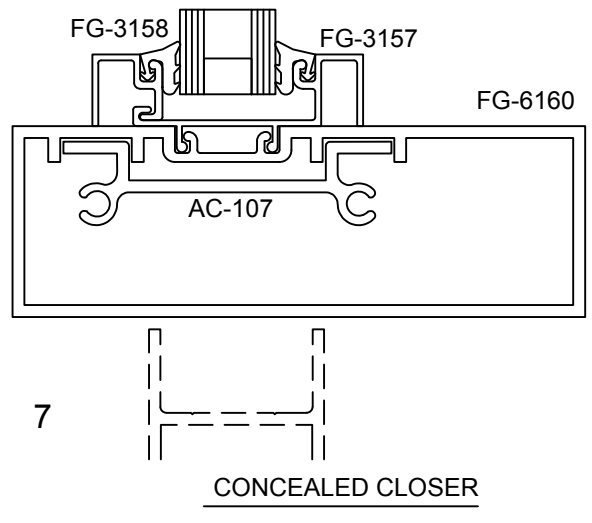
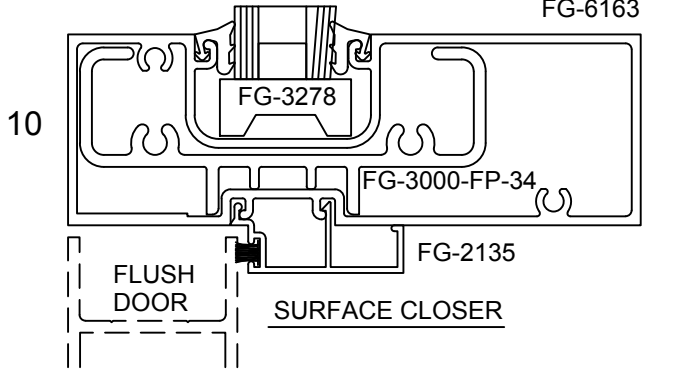
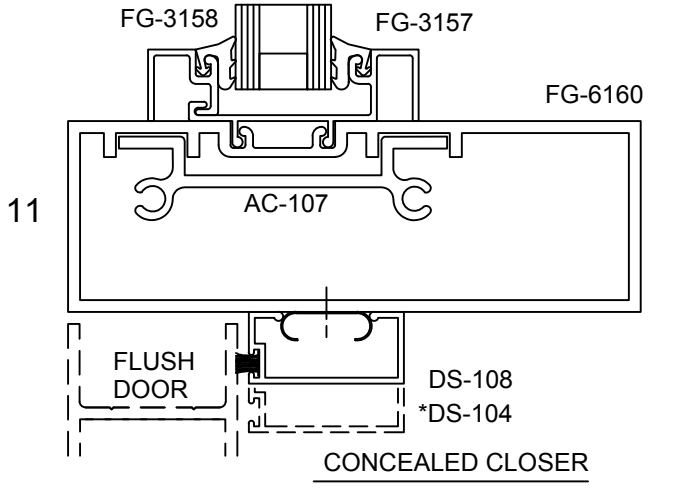
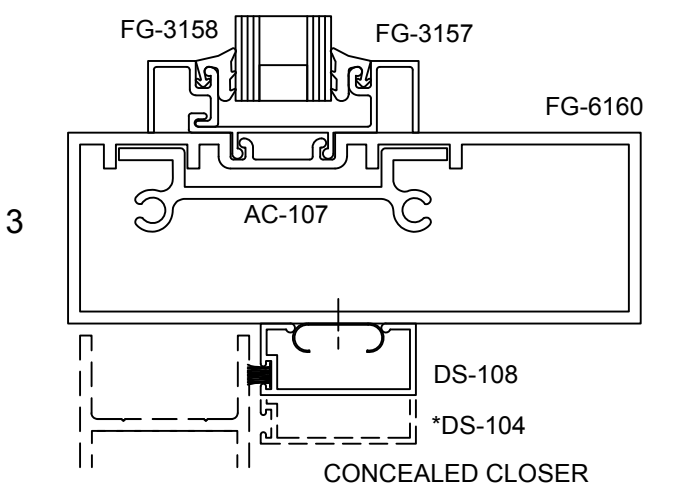
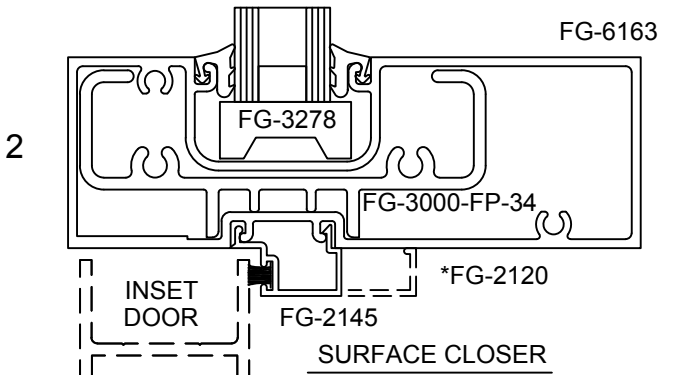
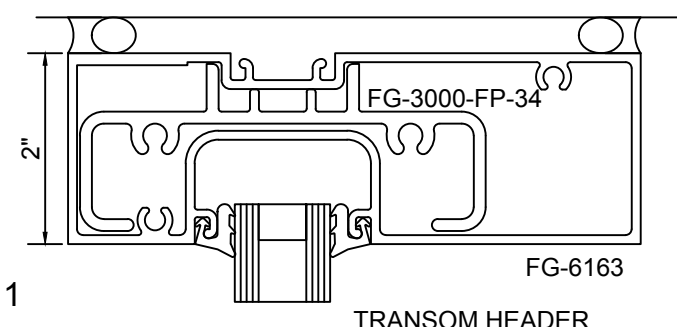
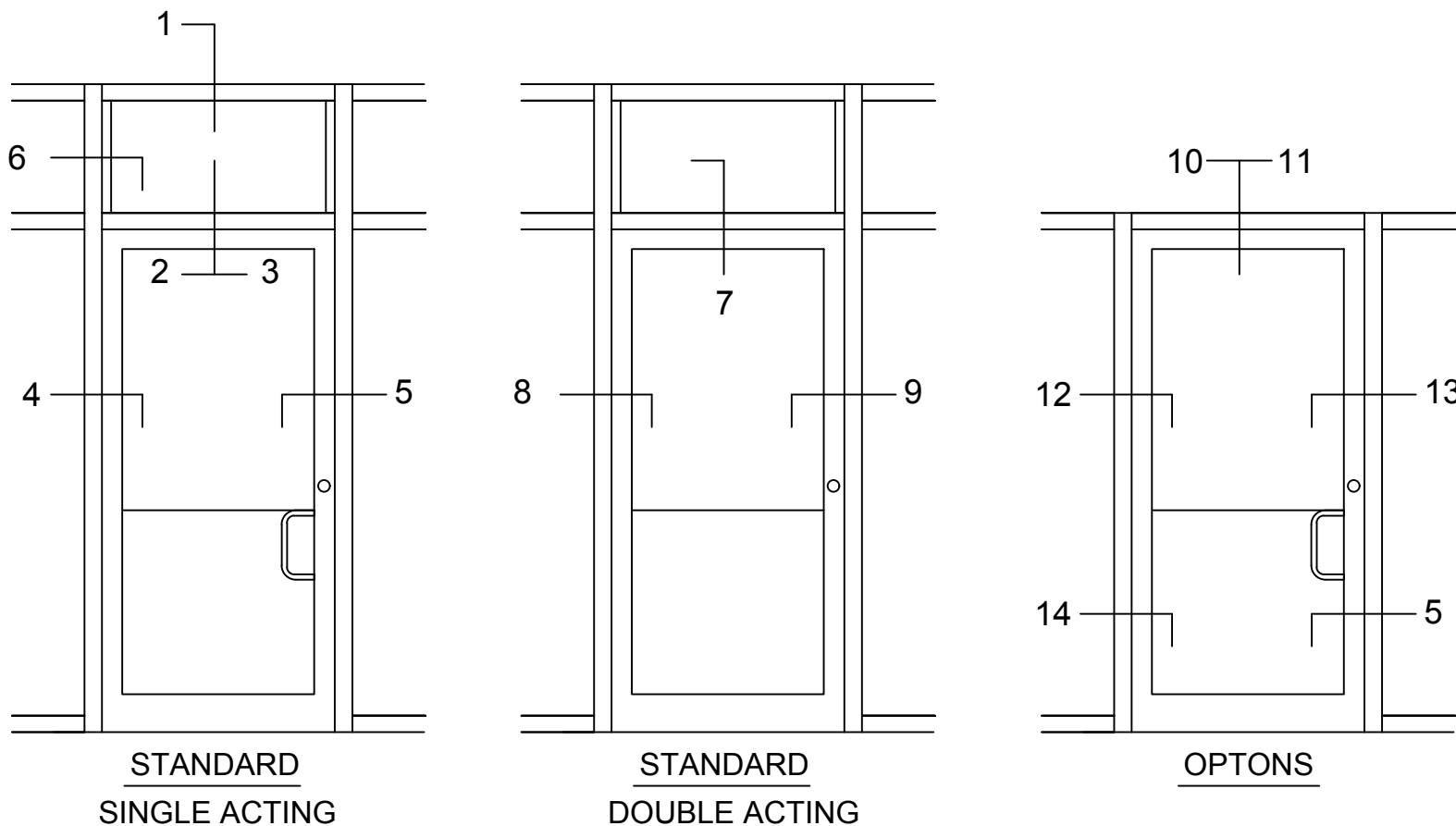
DOUBLE ACTING DOOR



TUBULAR JAMB  
OPTION

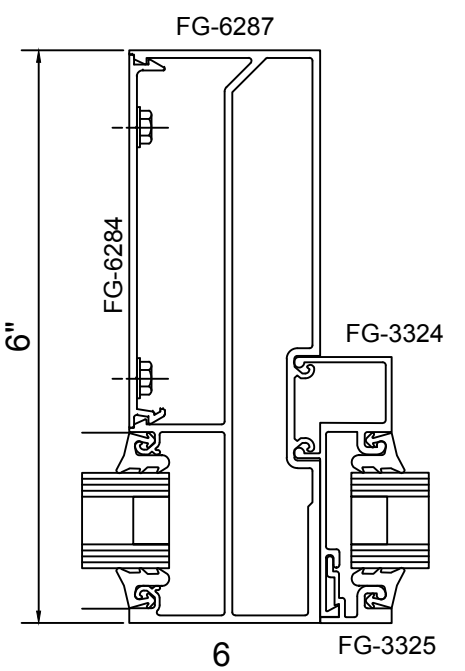
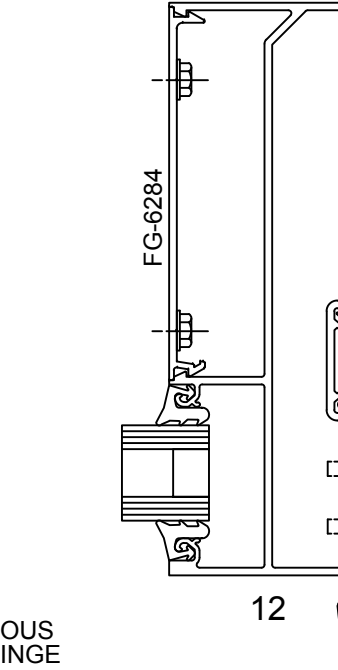
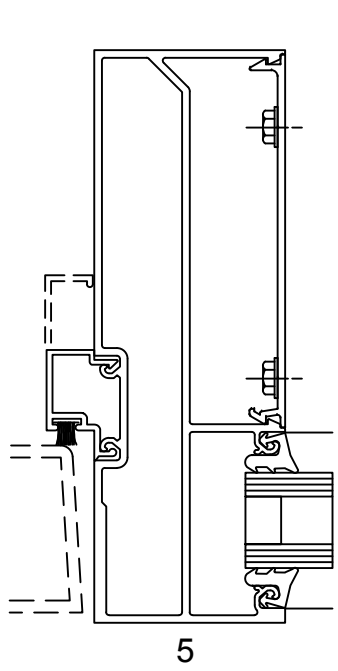
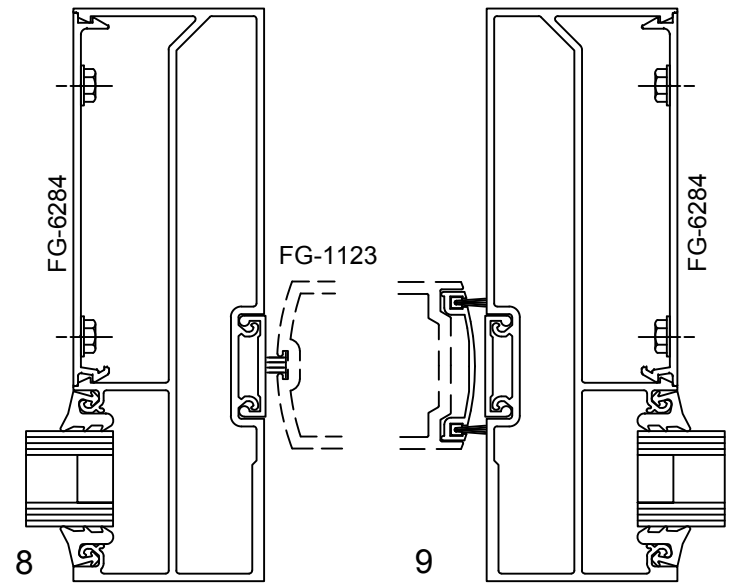
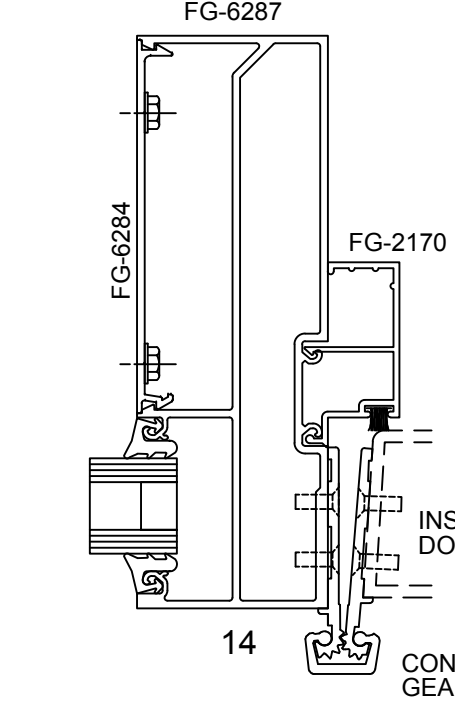
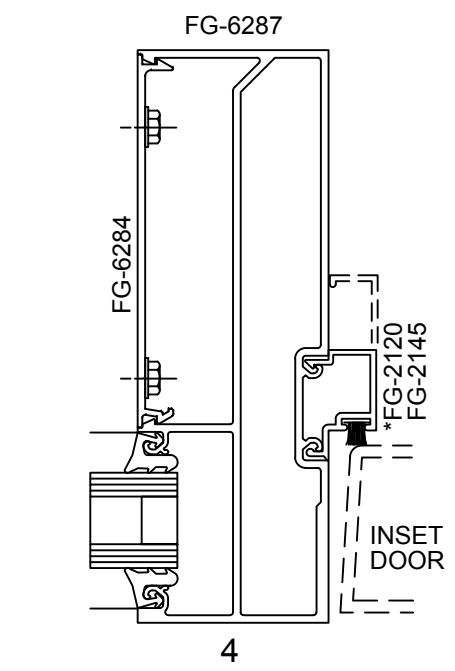
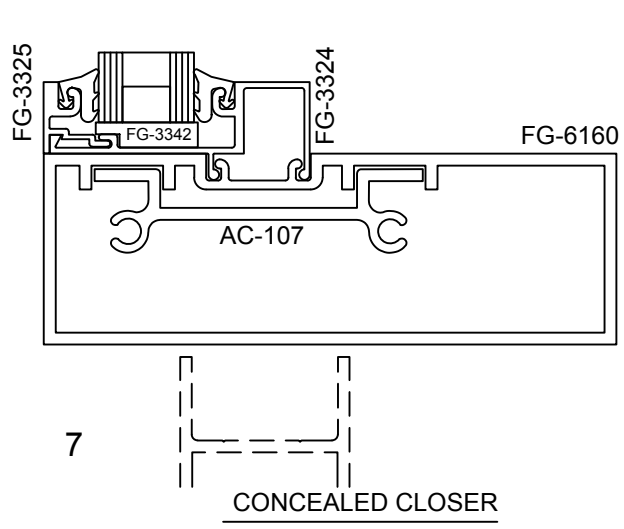
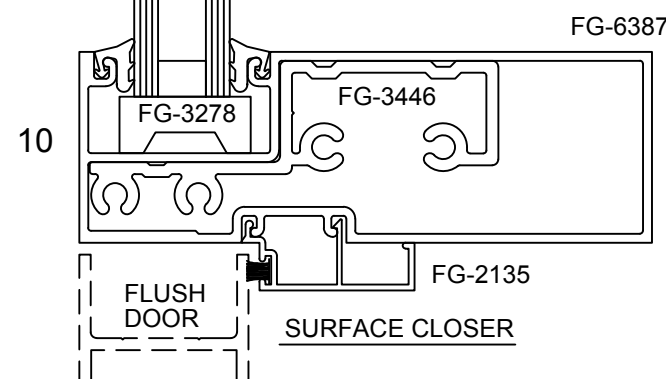
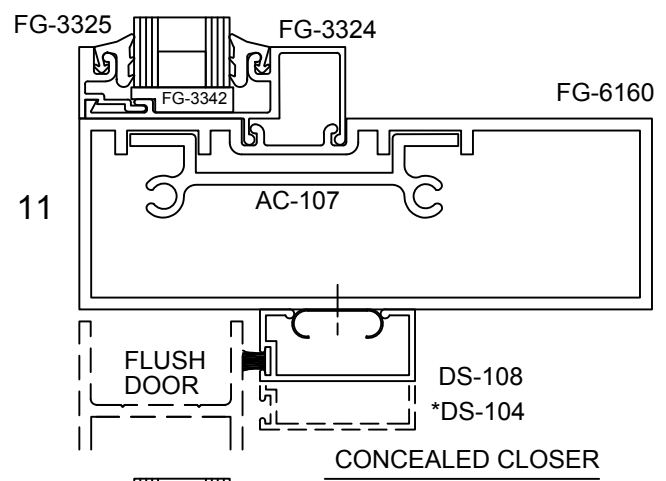
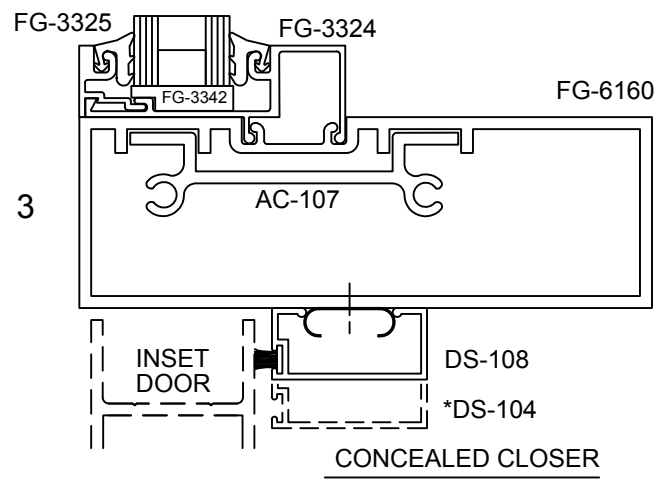
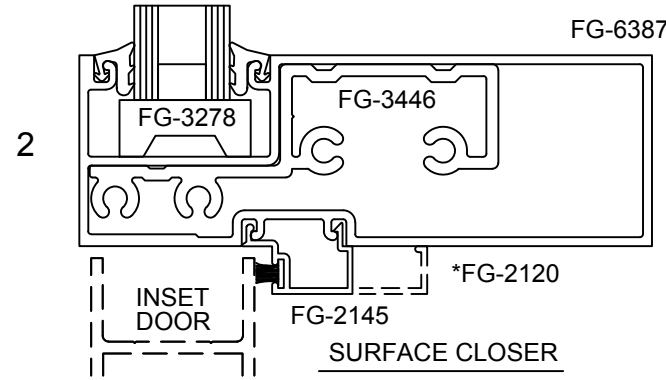
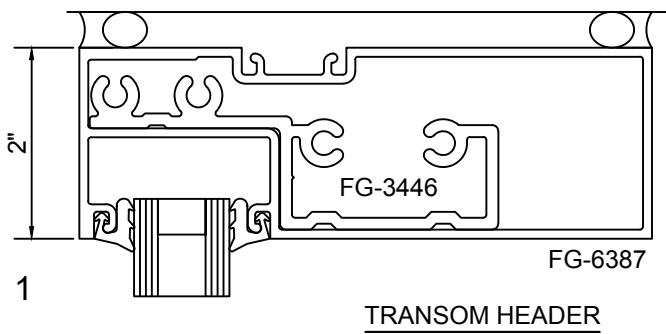
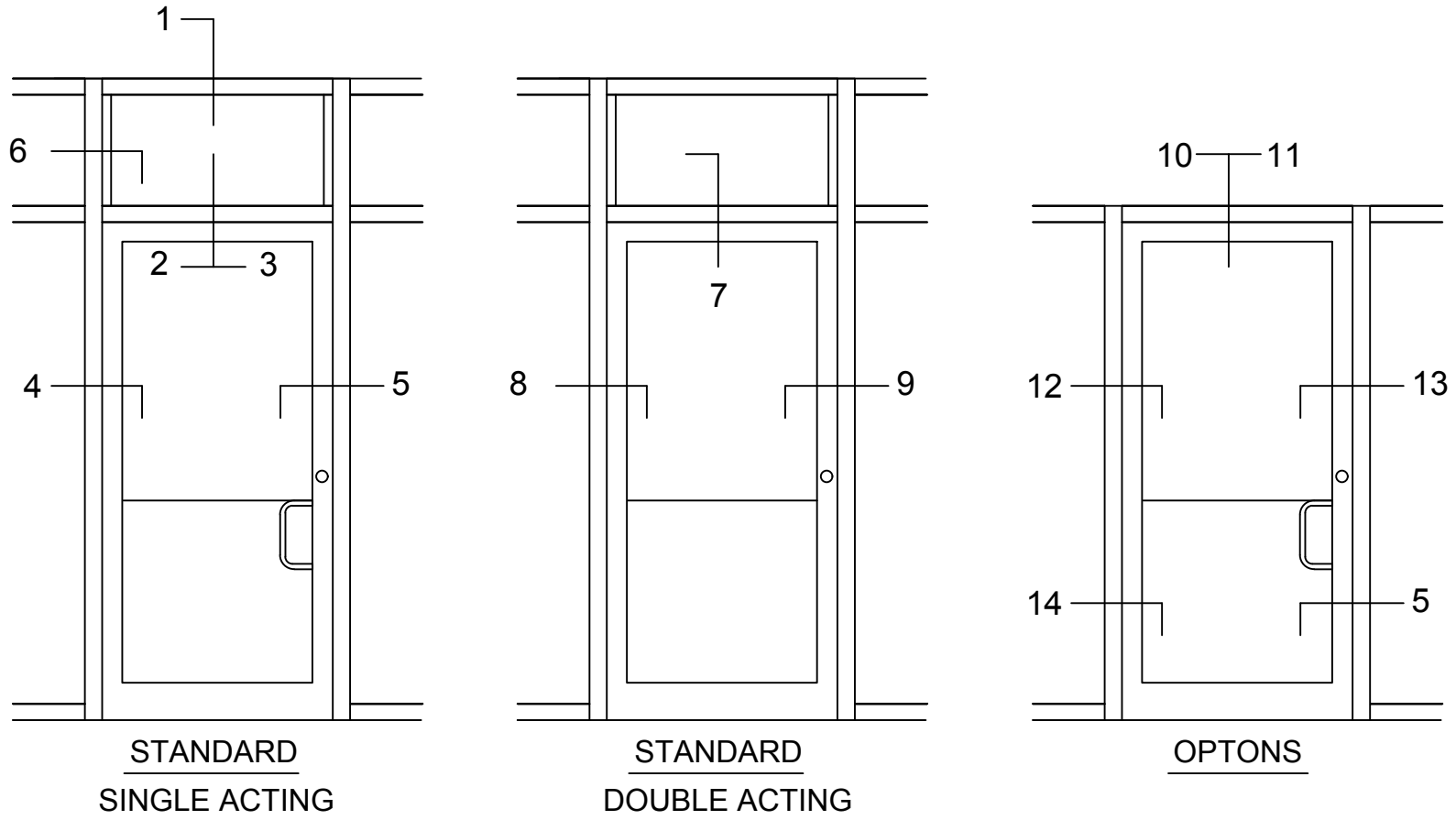
Note: Ref Installation Manual for additional info.

# SERIES 6000MP CENTER SET - STANDARD DOOR & FRAME - 1" GLASS IN FRAME



Note: Ref Installation Manual for additional info. \* Alternate door stop as required.

# SERIES 6000MP FRONT SET - STANDARD DOOR & FRAME - 1" GLASS IN FRAME



Note: Ref Installation Manual for additional info.

\* Alternate door stop as required.