

# Oldcastle BuildingEnvelope®

1-866-Oldcastle (653-2278) - [www.obe.com](http://www.obe.com)

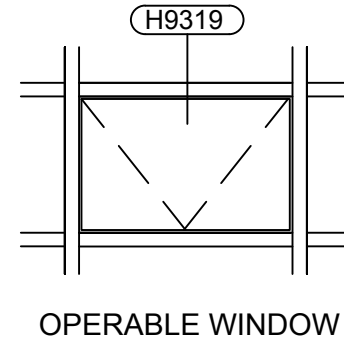
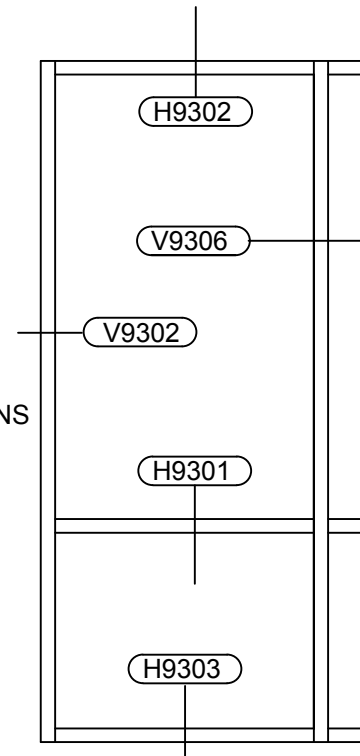
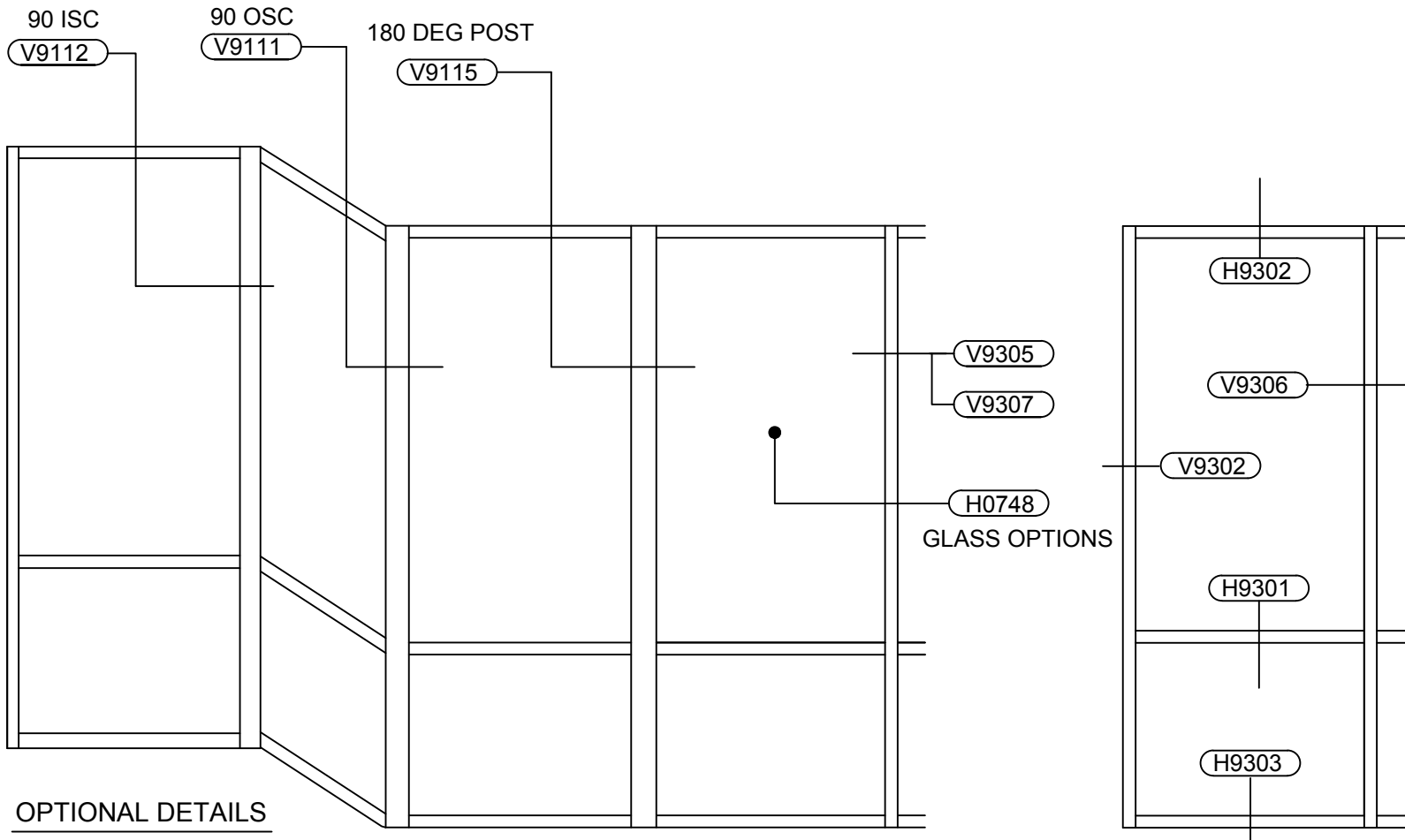
## SERIES 6000XT STOREFRONT 2" X 6" W/ 1" GLAZING

*(Drawing numbers---i.e., V9302---used as CAD detail reference only)*

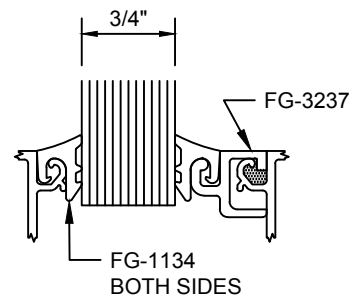
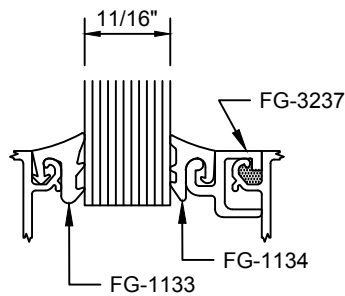
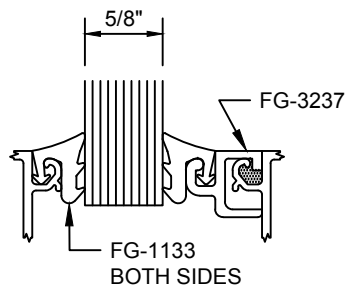
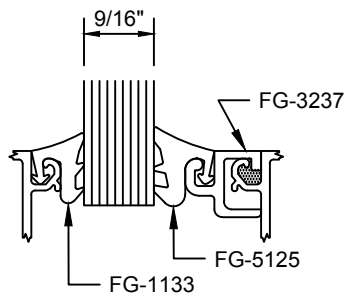
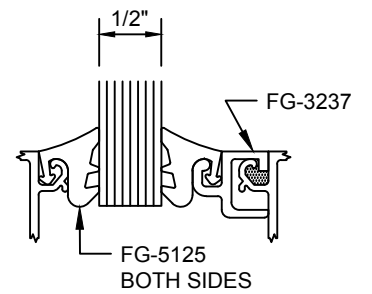
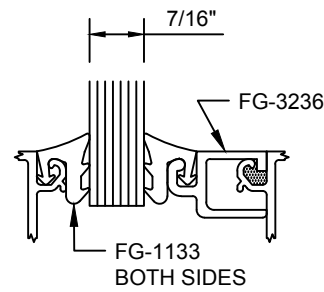
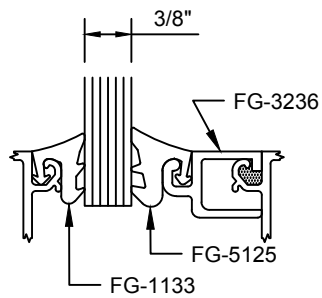
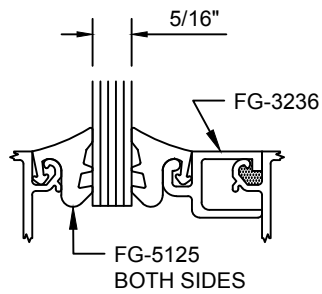
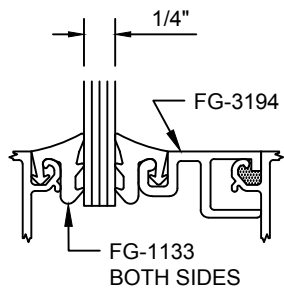
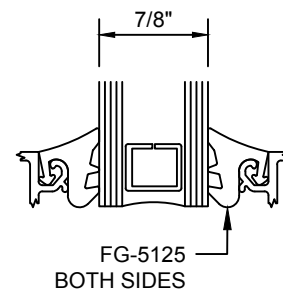
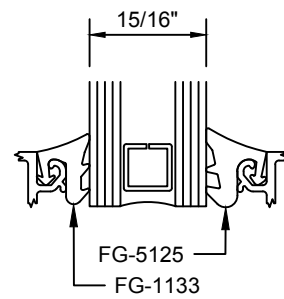
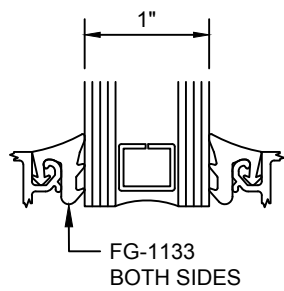
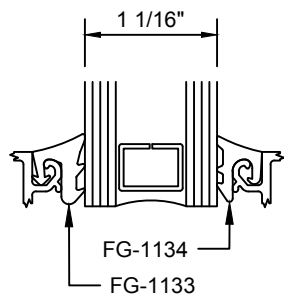
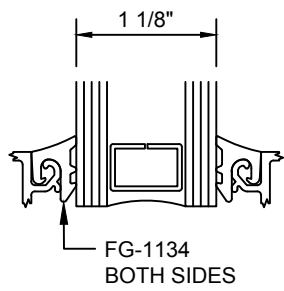
### Elevation

H0748	Glazing Options
H9301	Intermediate Horizontal
H9302	Head
H9303	Sill
H9319	Horizontal at Operable Window
V9111	90° Outside Corner
V9112	90° Inside Corner
V9115	180° Post
V9302	Jamb
V9305	Vertical - Heavy
V9306	Vertical - Typical
V9307	Vertical - Expansion

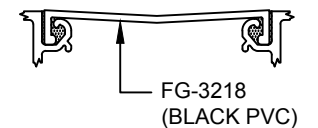
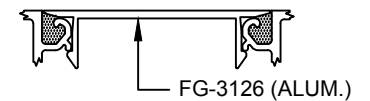
## Table of Contents



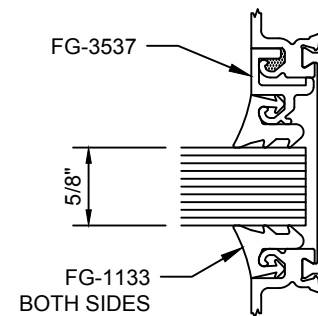
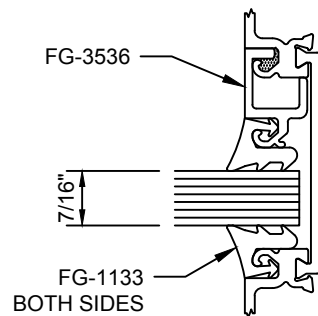
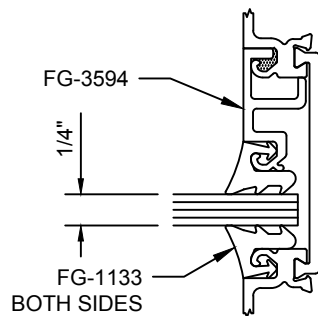
**Series 6000XT Storefront**  
**2" x 6" w/ 1" Glazing - Elevation**



POCKET FILLER OPTIONS

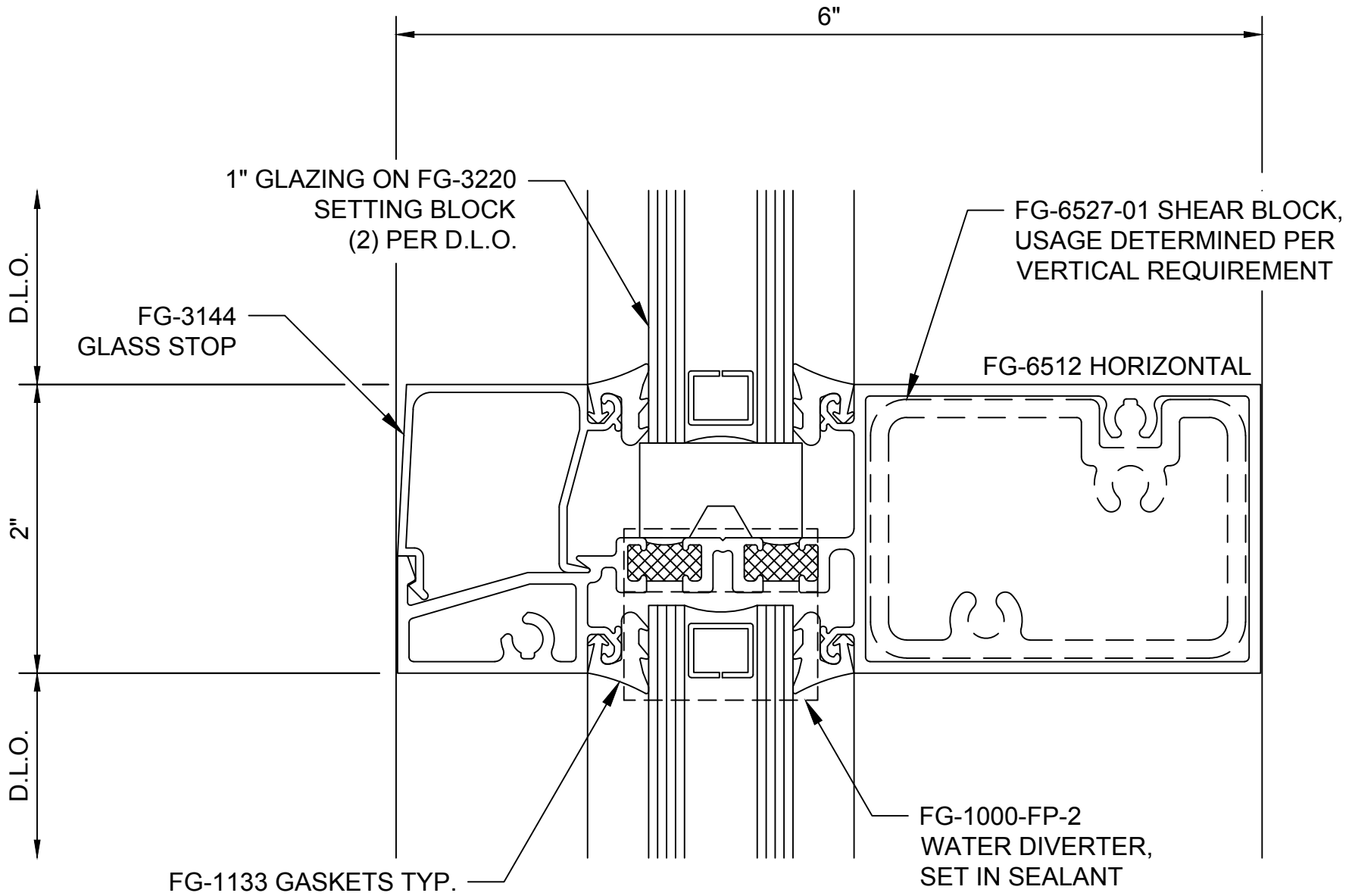


NOTE: ADAPTERS & POCKET FILLERS SET IN SILICONE SEALANT (BY OTHERS).

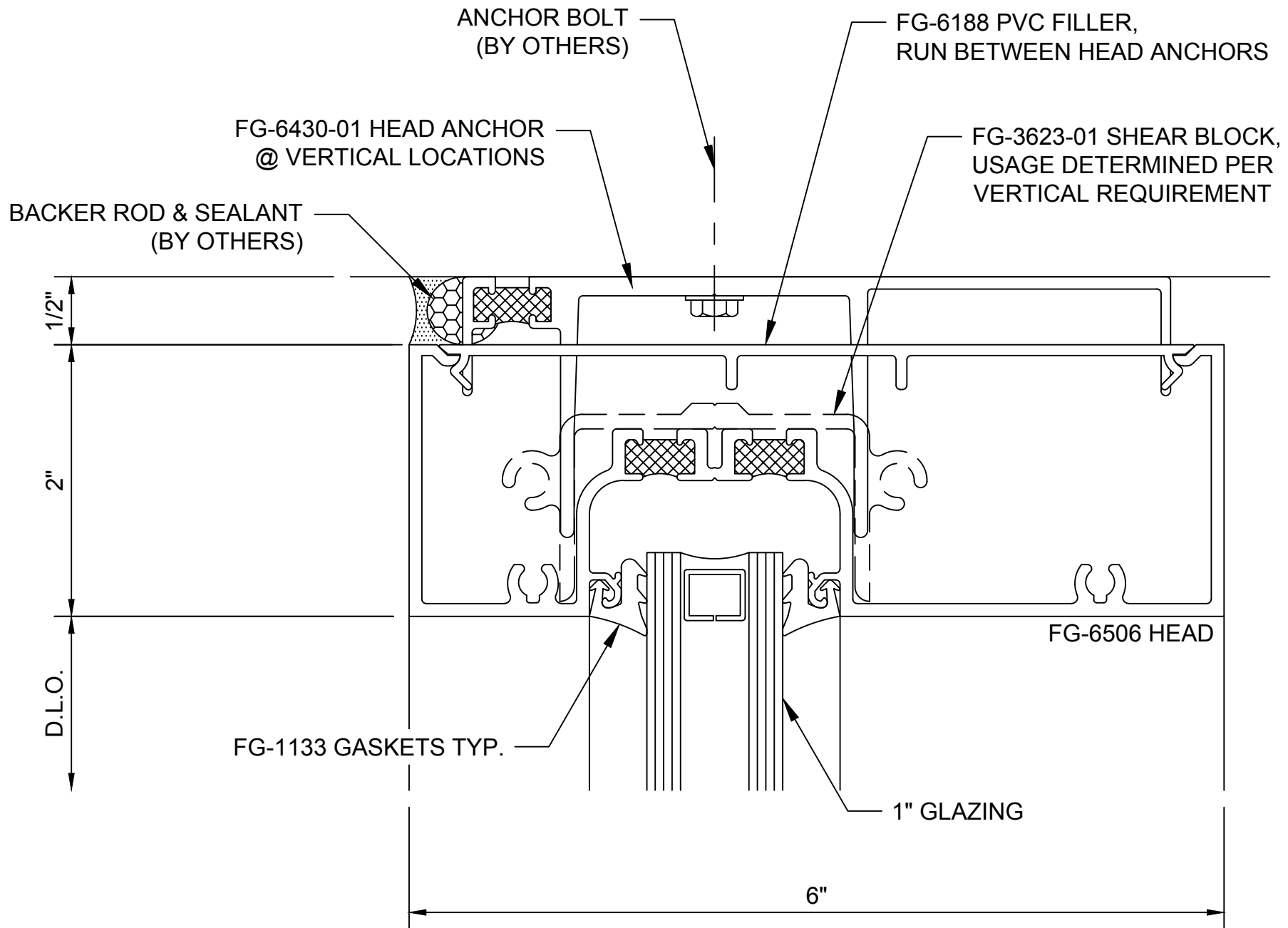


FG-3514 (3000 SERIES) / FG-6344 (6000 SERIES) THERMAL COMPOSITE MULLION FILLERS

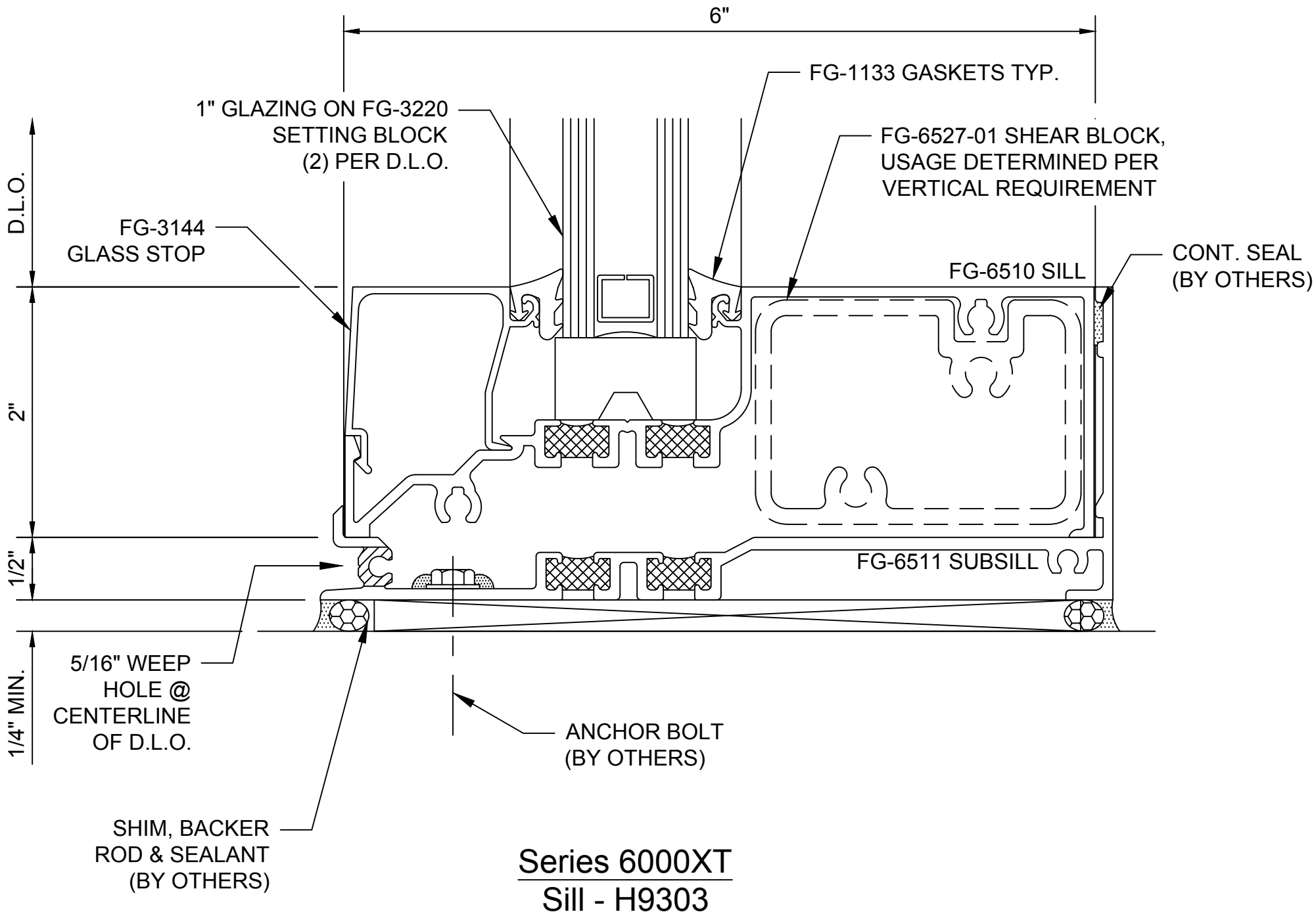
## Series 3000/6000XT Glass Options - H0748

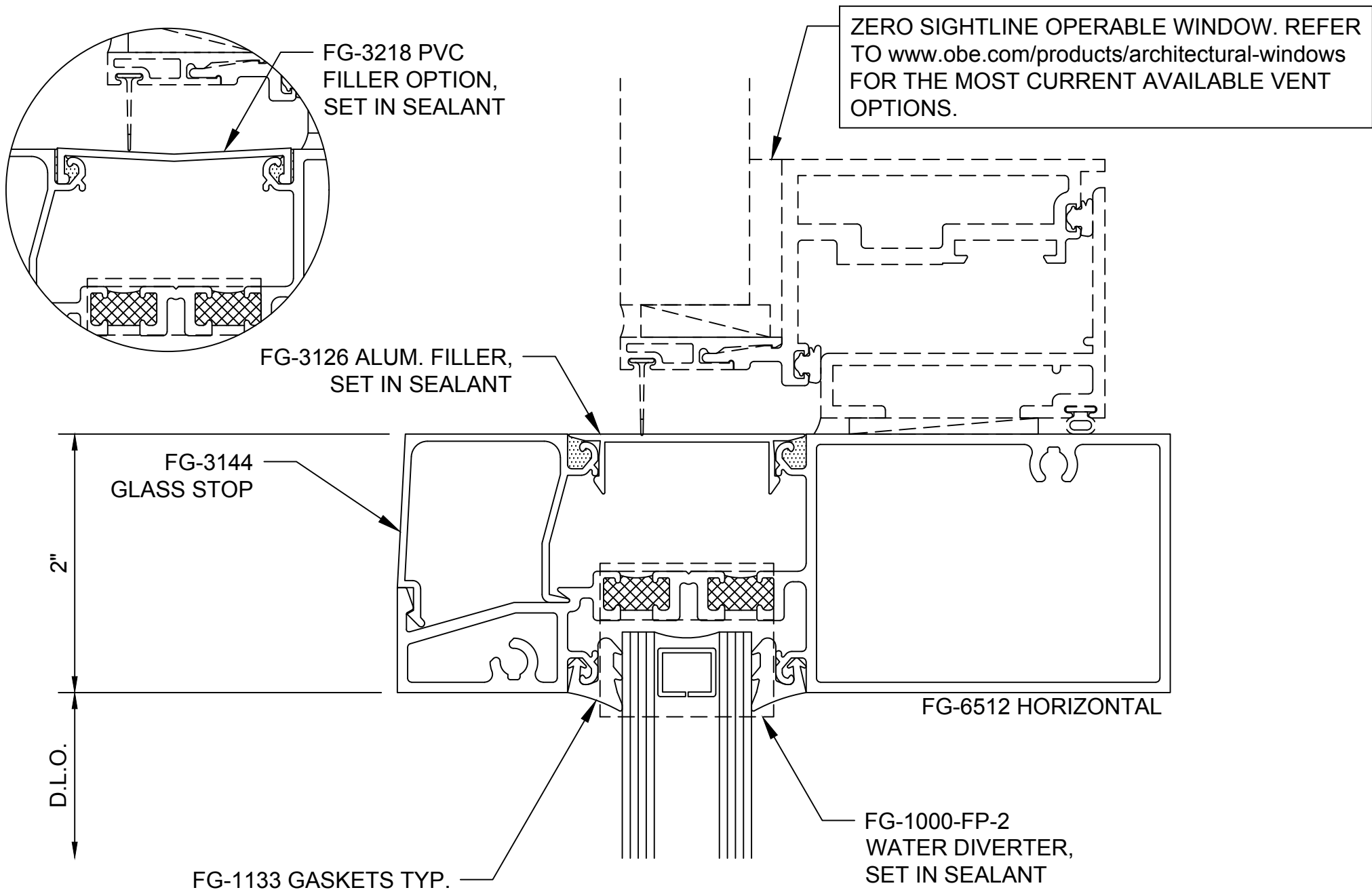


**Series 6000XT**  
**Intermediate Horizontal - H9301**

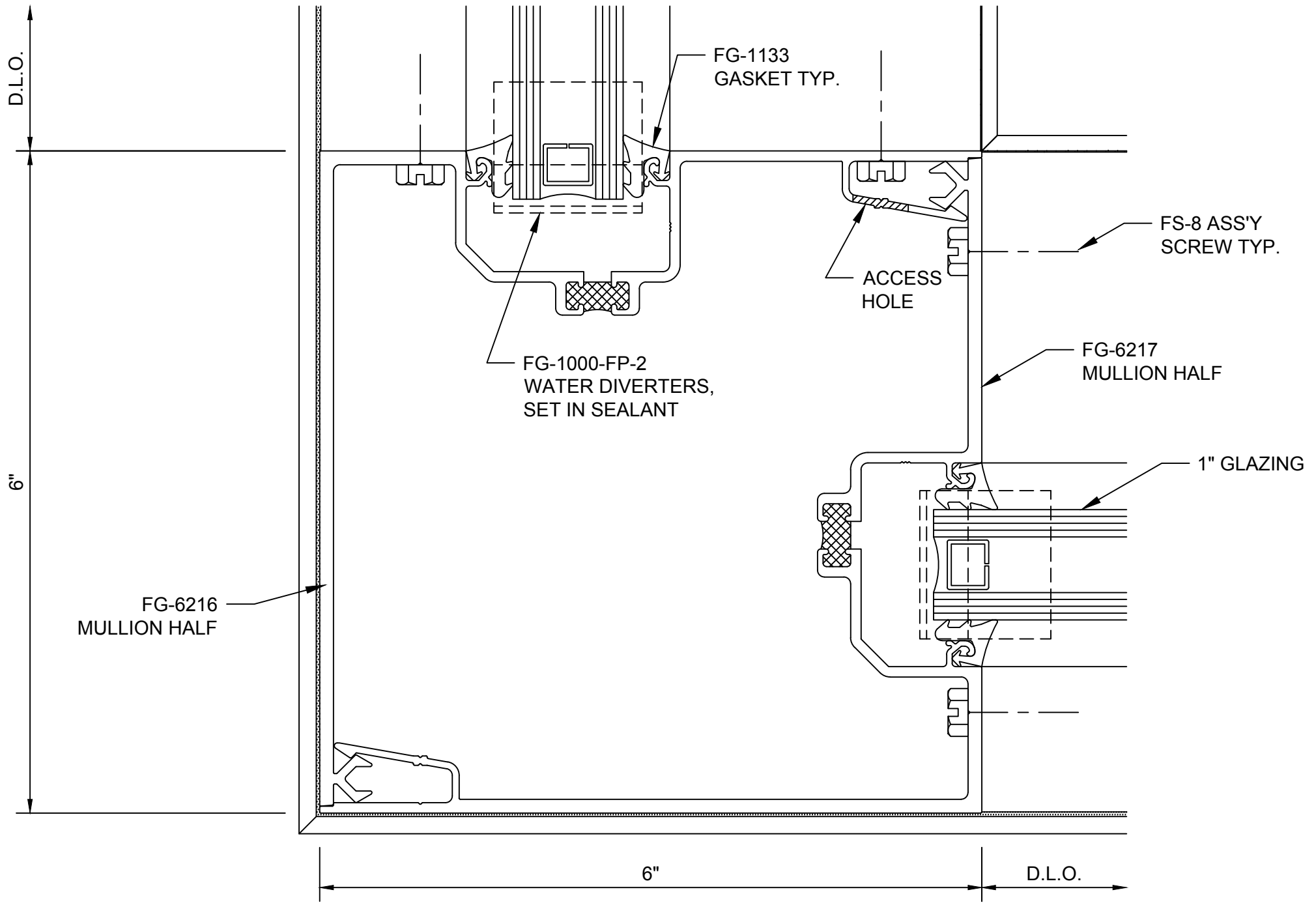


**Series 6000XT**  
**Head - H9302**



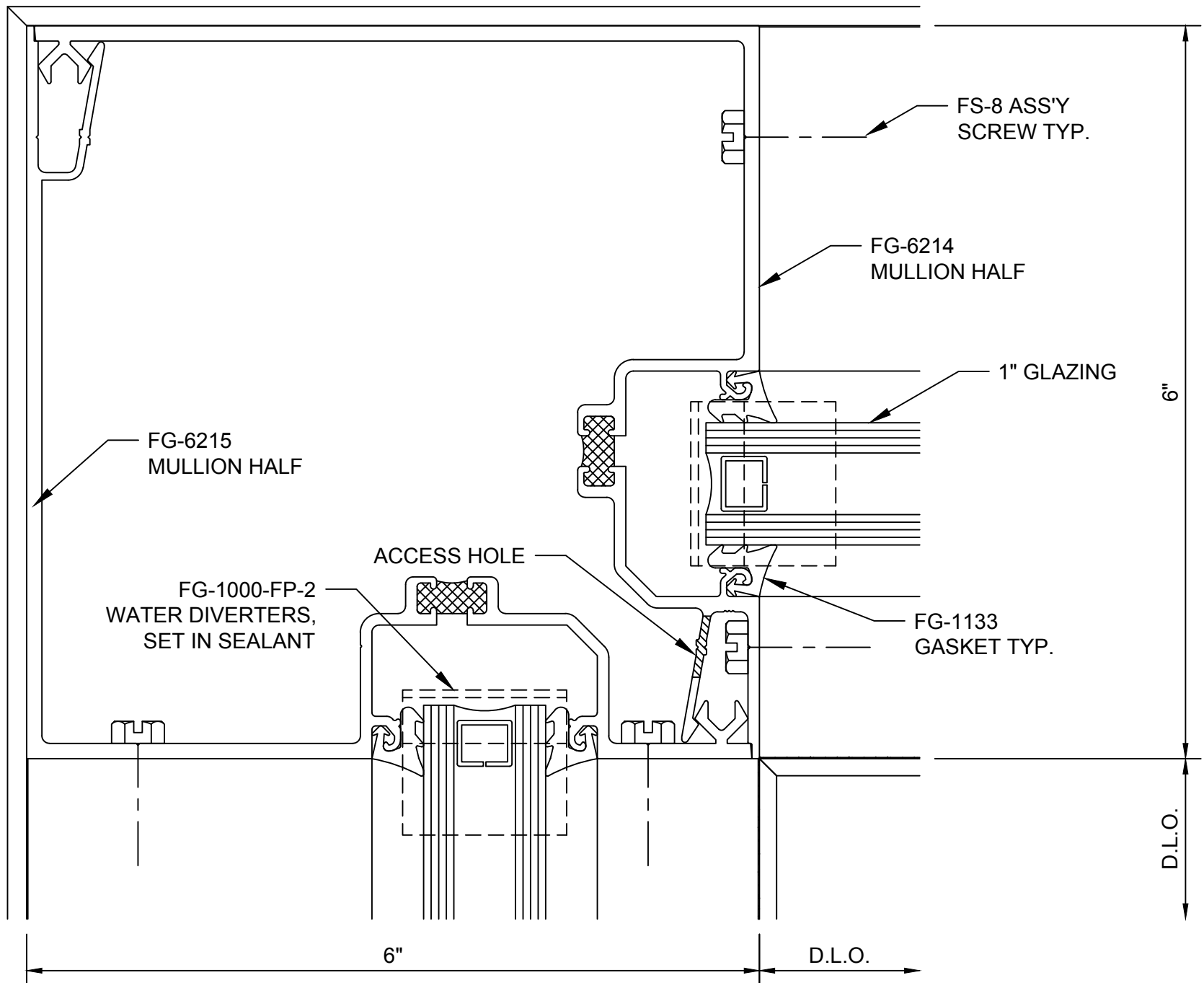


**Series 6000XT**  
**Horizontal at Operable Window - H9319**

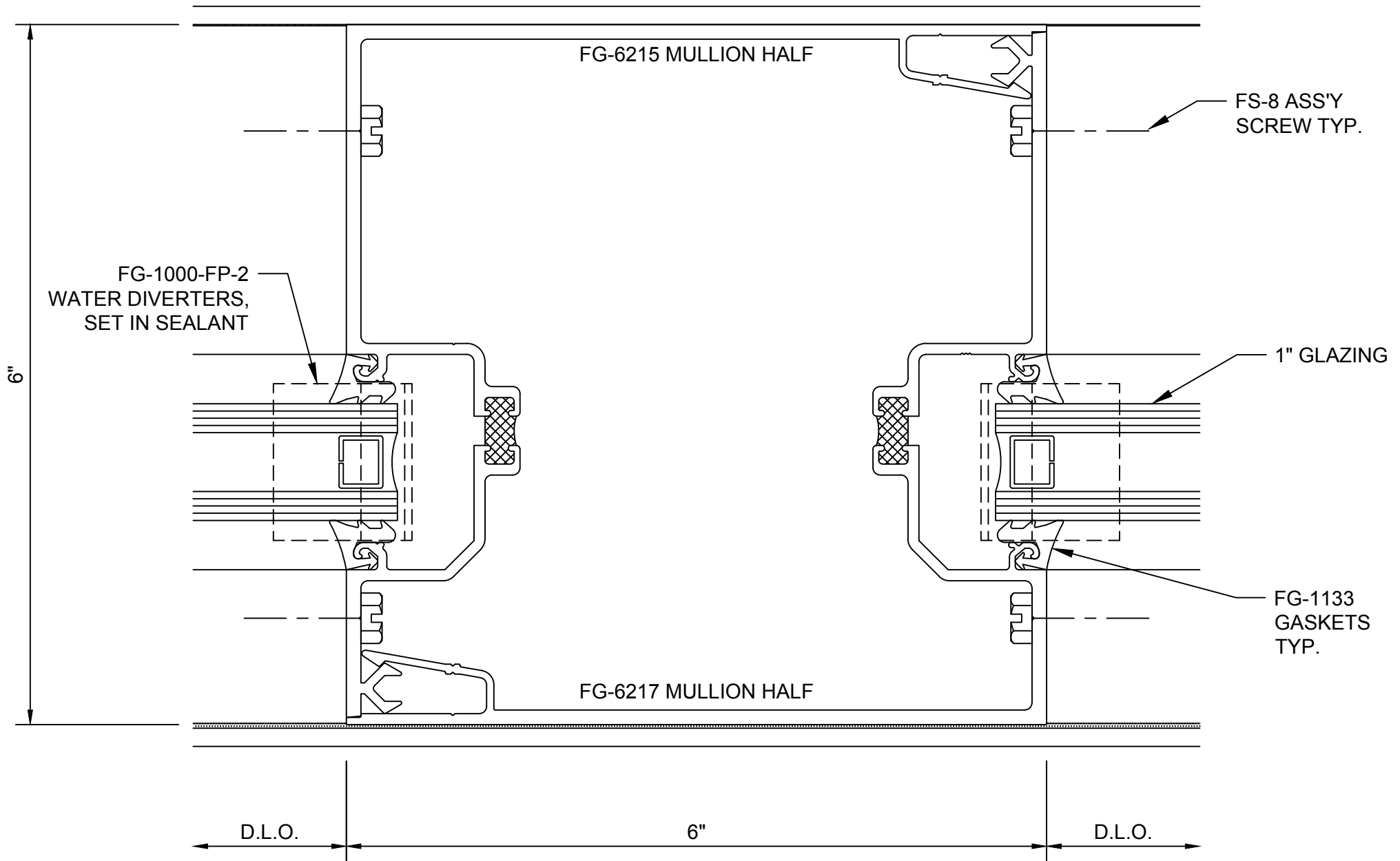


**Series 6000XT**  
**90° Outside Corner - V9111**

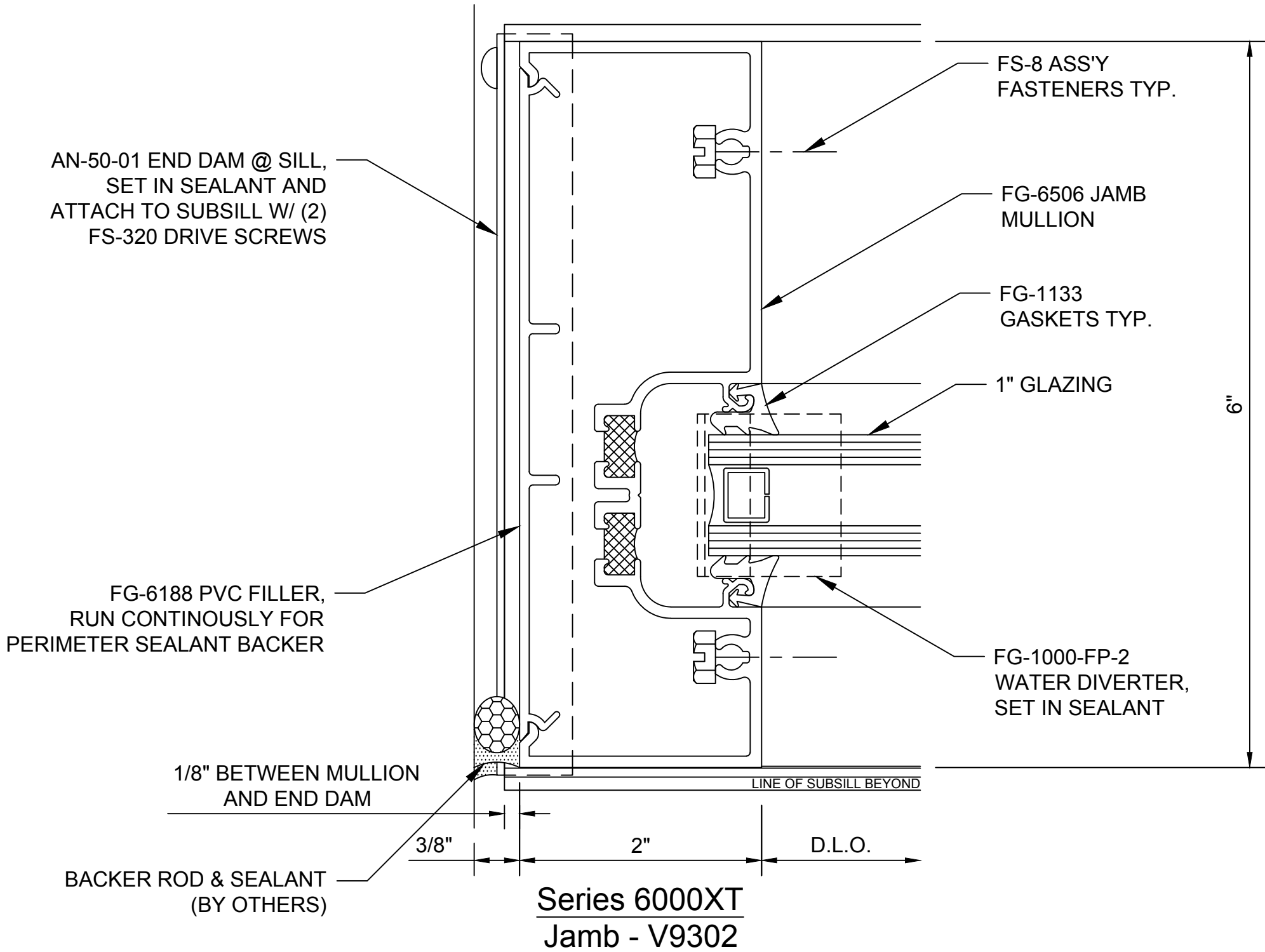


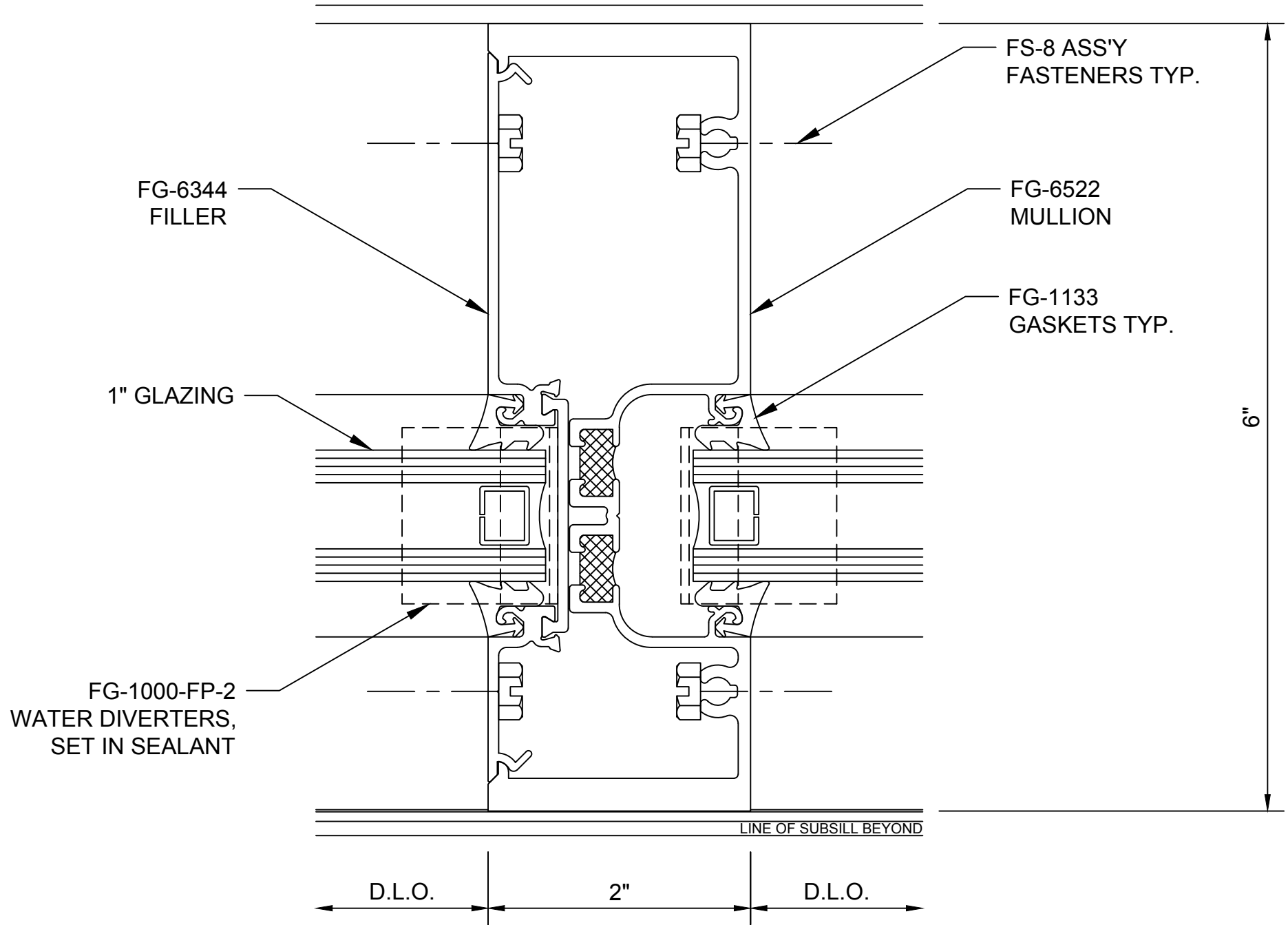


**Series 6000XT**  
**90° Inside Corner - V9112**

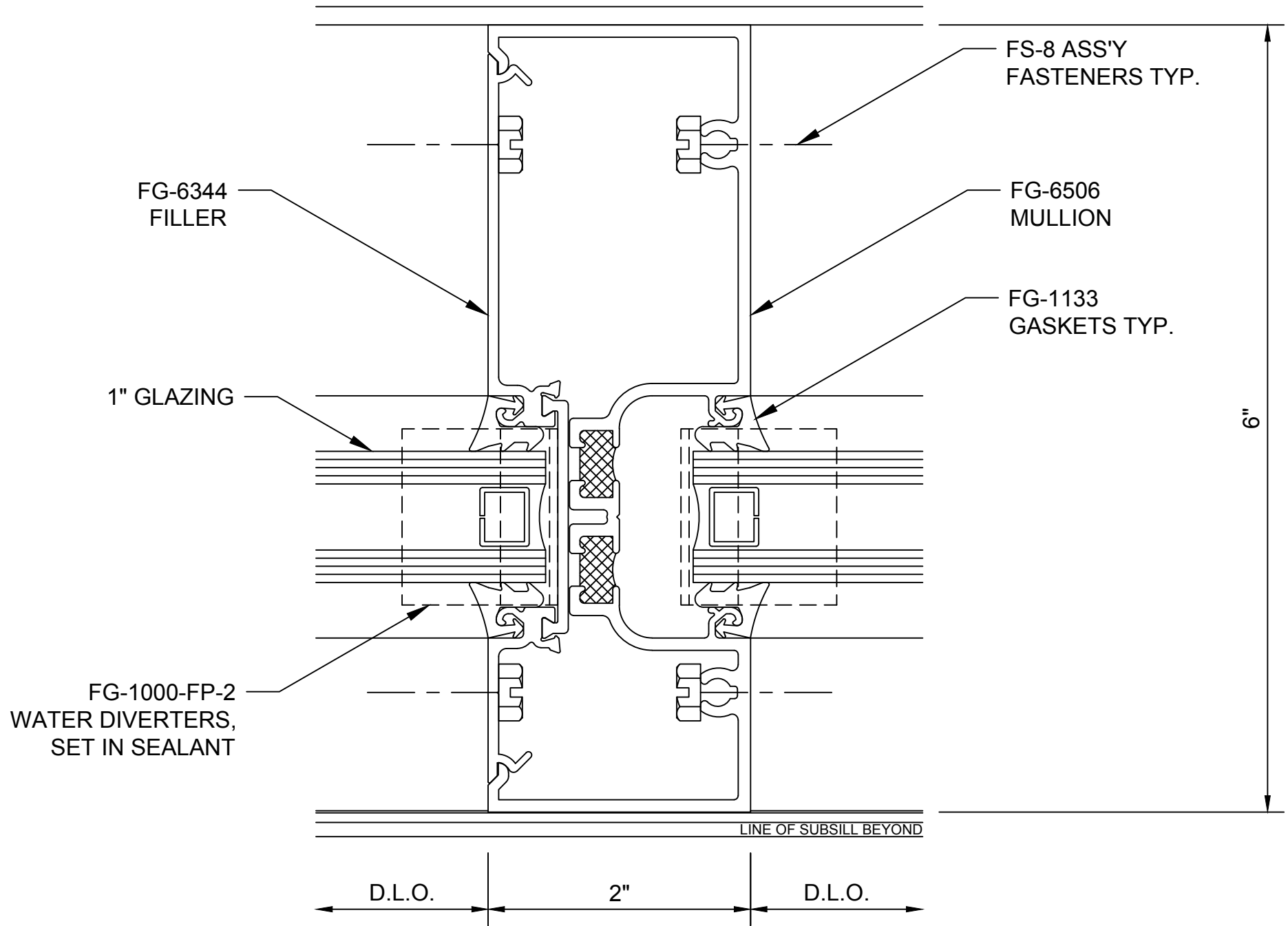


**Series 6000XT**  
**180° Post - V9115**

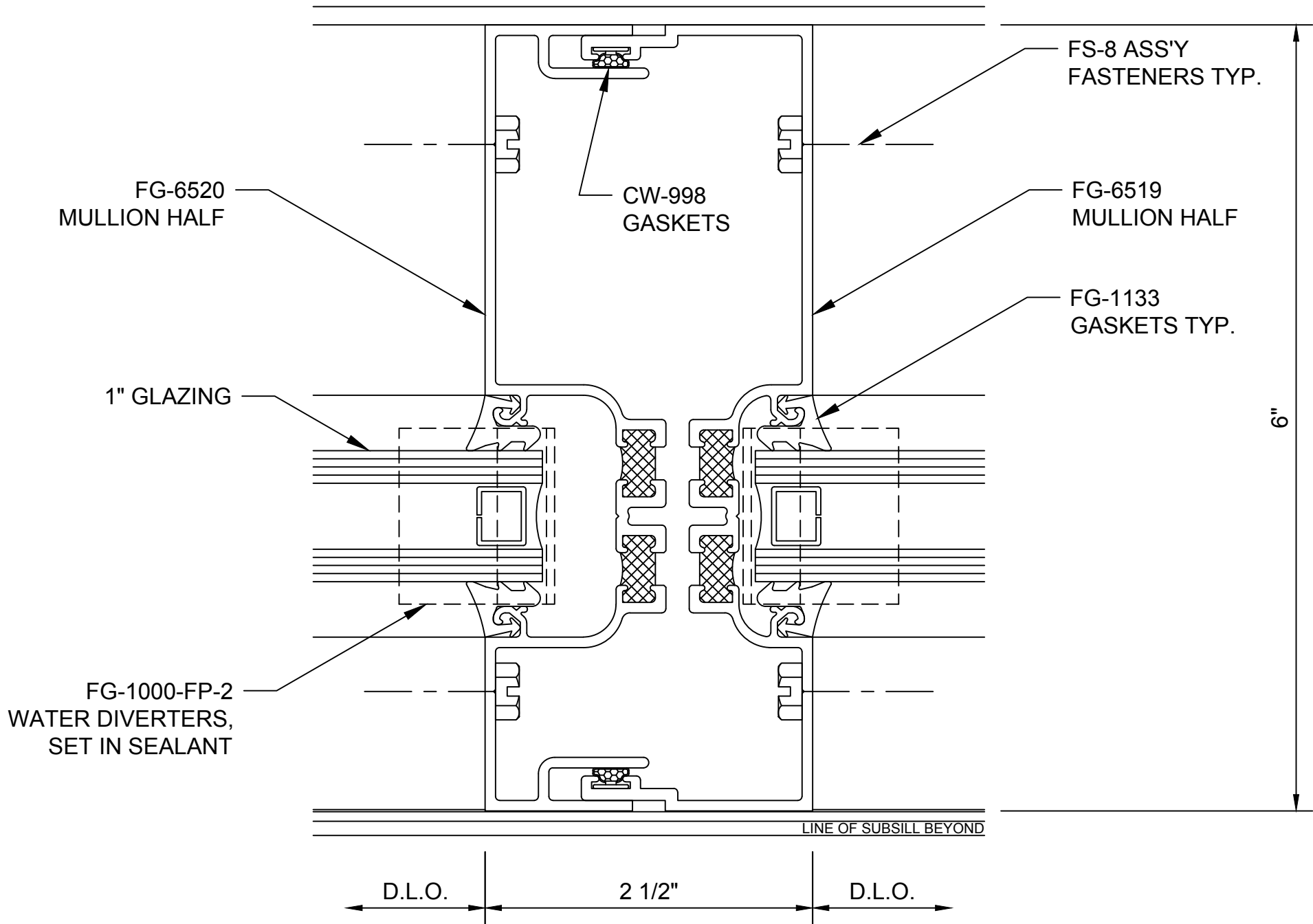




**Series 6000XT**  
**Heavy Vertical - V9305**



**Series 6000XT**  
**Typical Vertical - V9306**



**Series 6000XT**  
**Expansion Vertical - V9307**