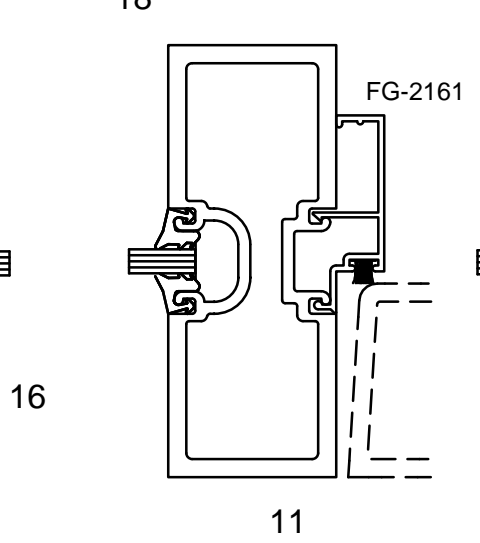
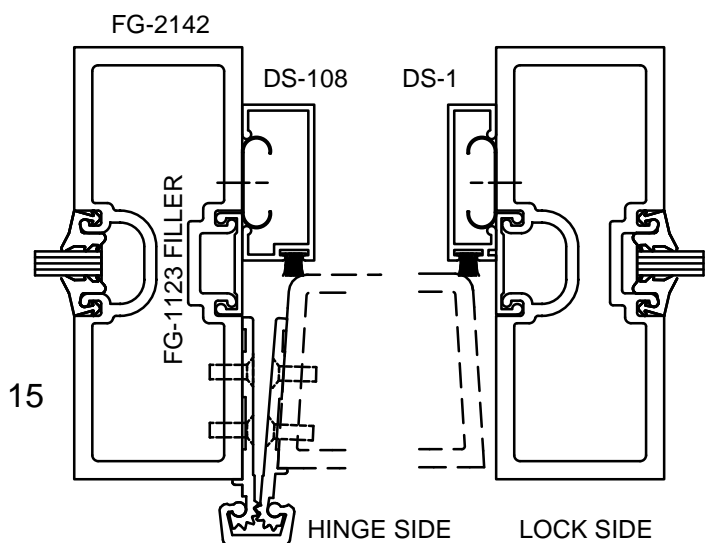
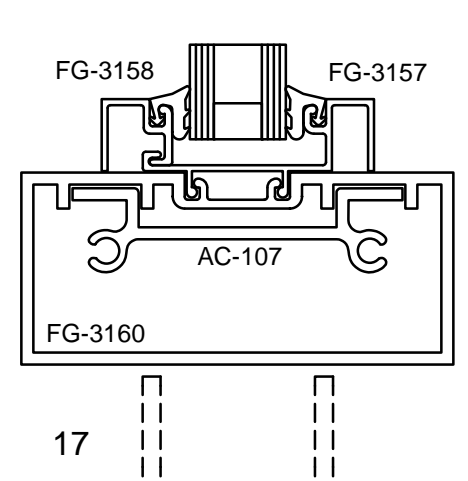
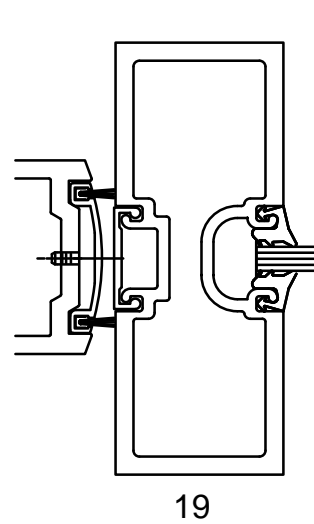
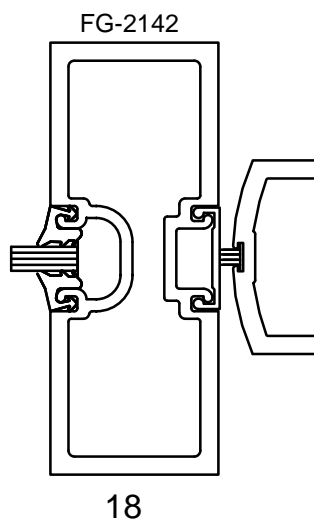
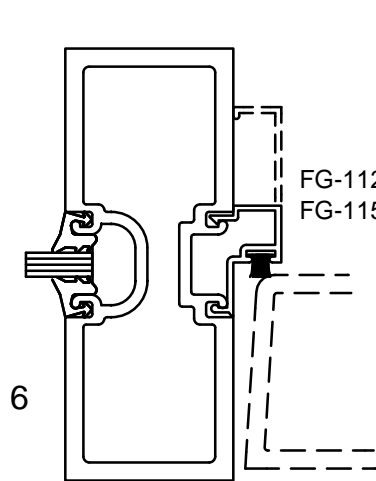
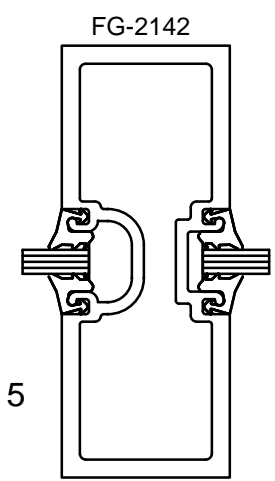
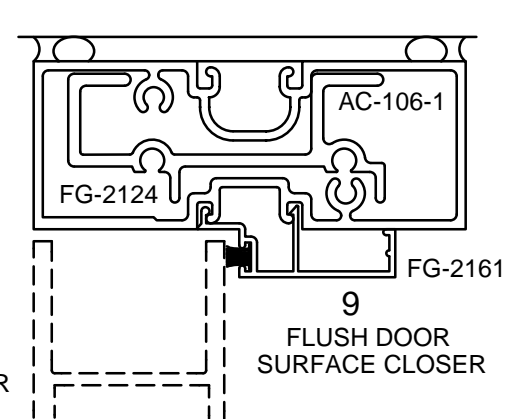
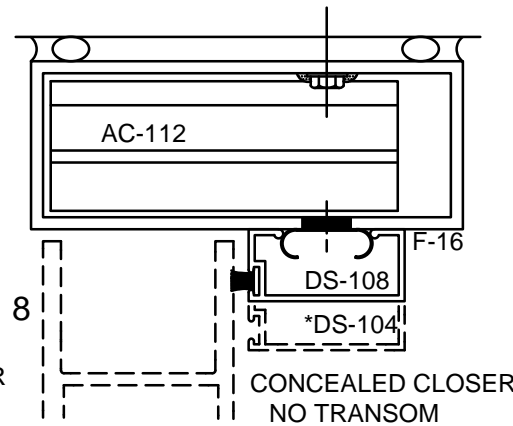
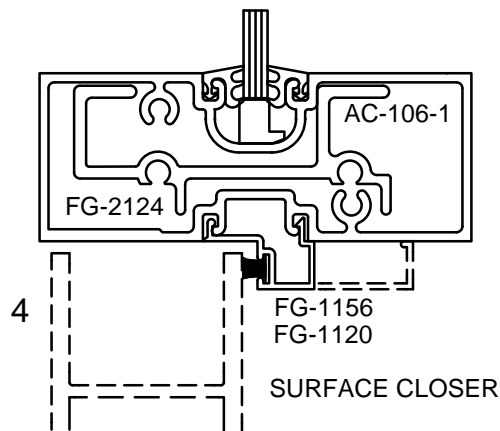
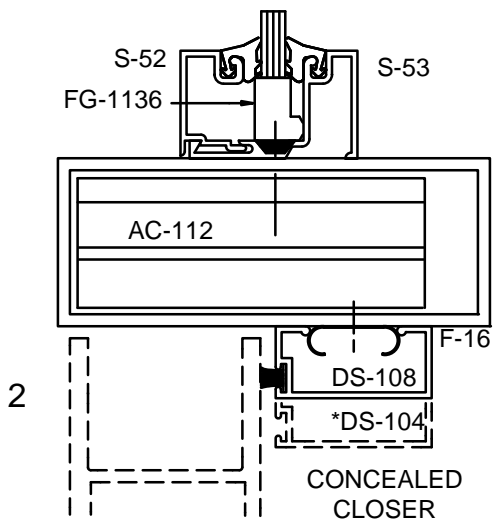
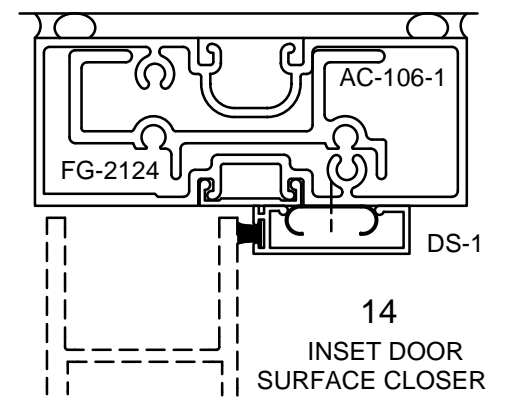
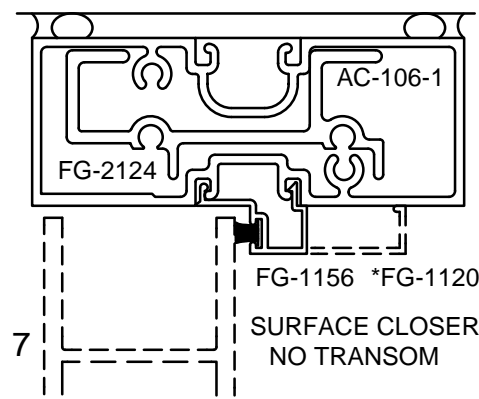
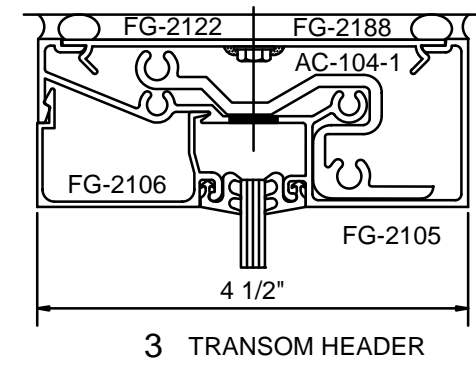
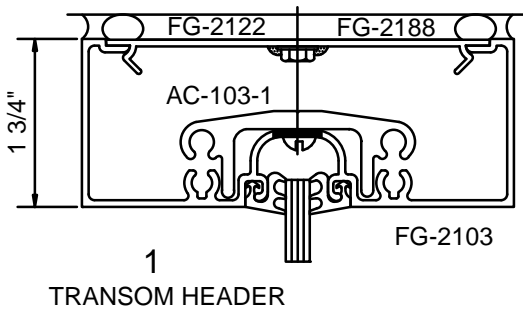
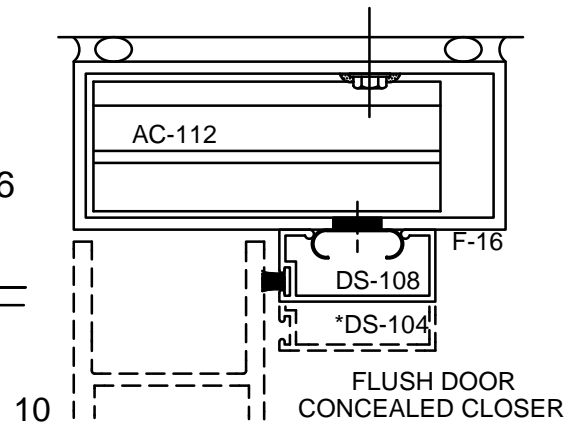
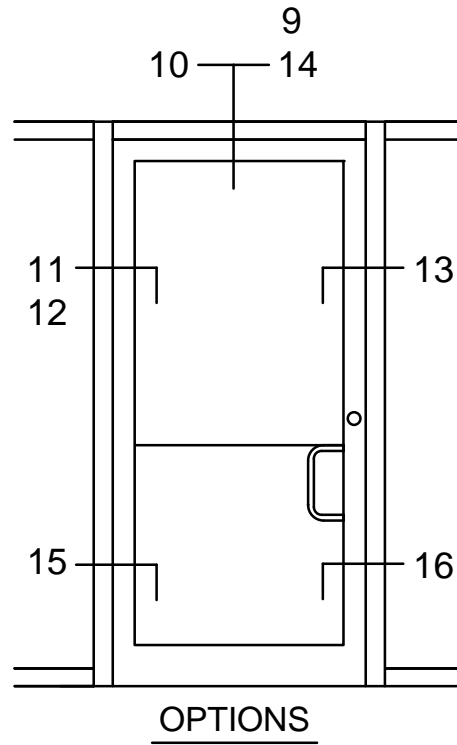
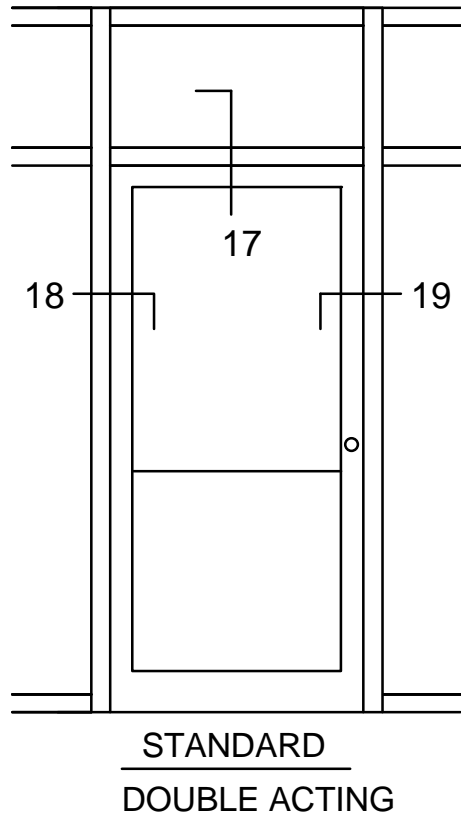
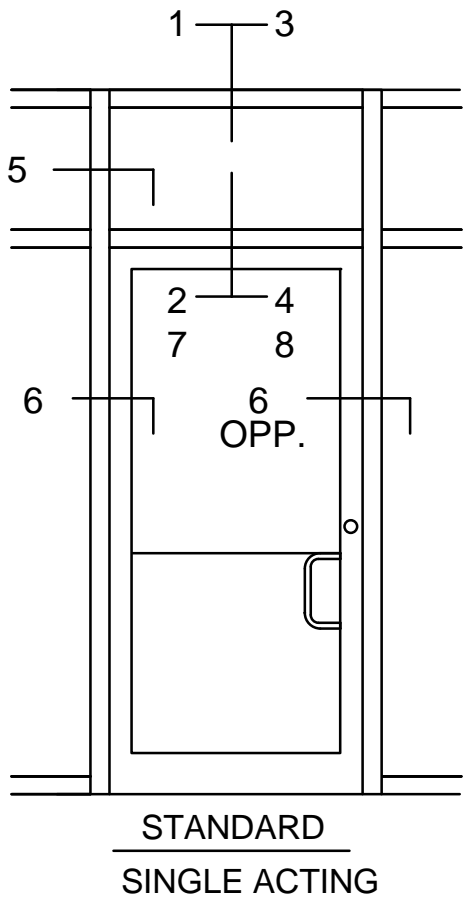


Oldcastle BuildingEnvelope™

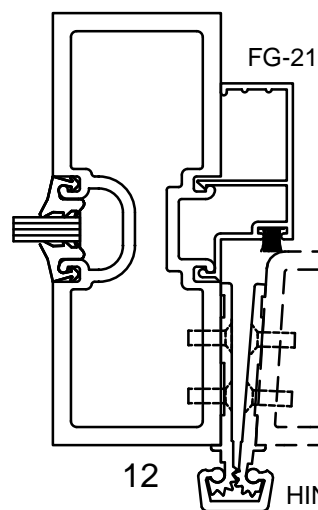
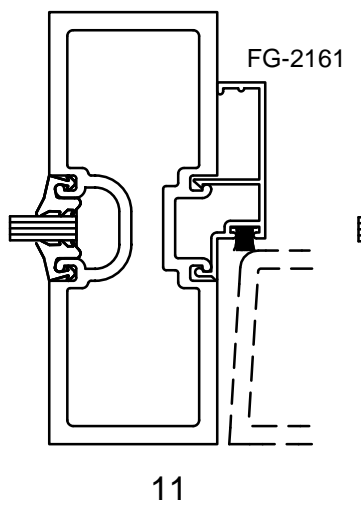
***Rugged Doors with
Flush Glaze - FG-2000 Frames***

Fg-2000 - Flush Glaze -1 3/4" x 4 1/2"

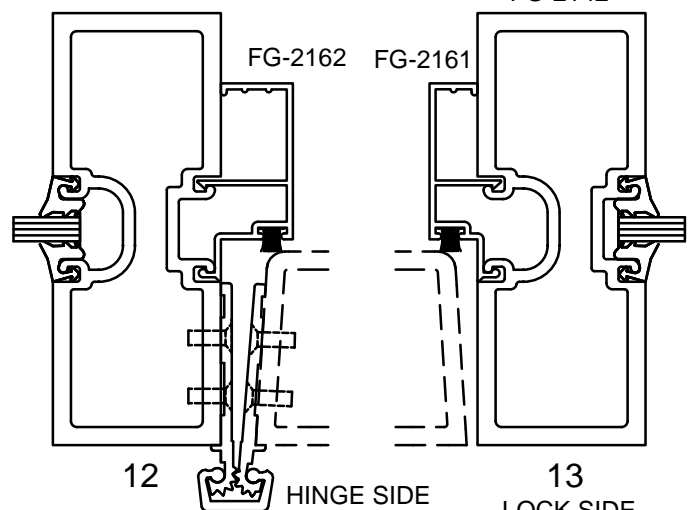
FG-2000 - RUGGED DOOR & FRAME



INSET DOOR GEAR HINGE



FLUSH DOOR BUTT HINGE

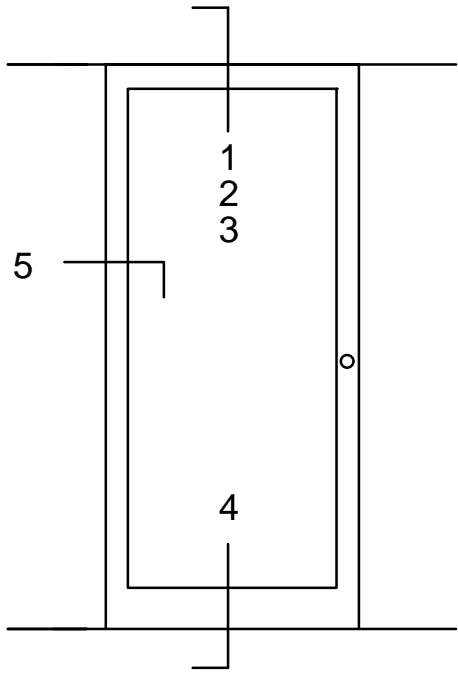


FLUSH DOOR GEAR HINGE

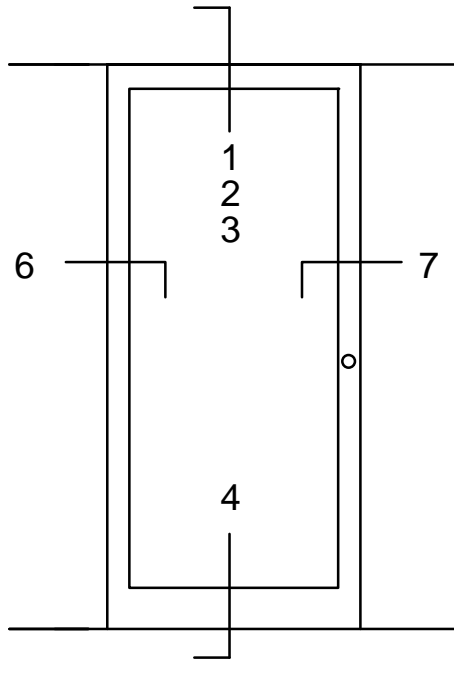
Note: Ref Installation Manual for additional info.

* Alternate door stop as required.

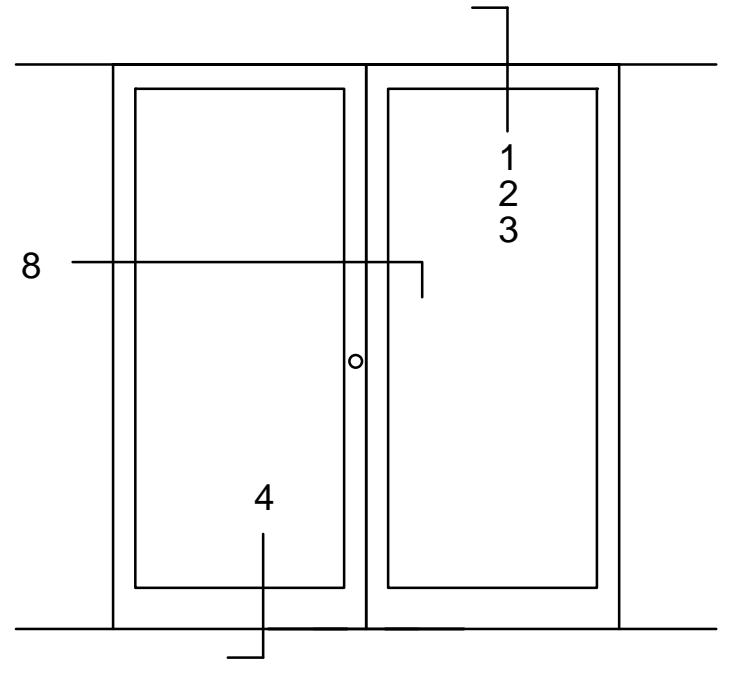
RUGGED DOOR STILES AND RAILS



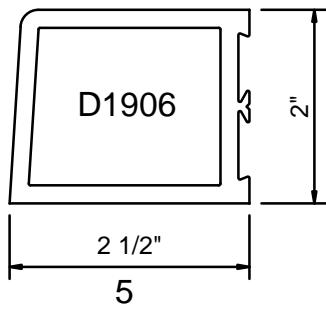
SINGLE ACTING



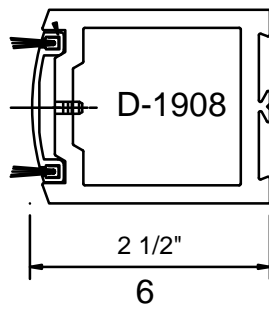
DOUBLE ACTING



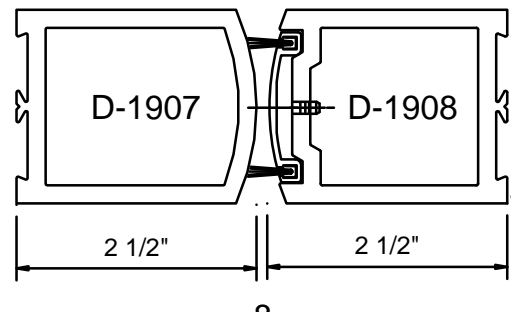
NARROW STILE



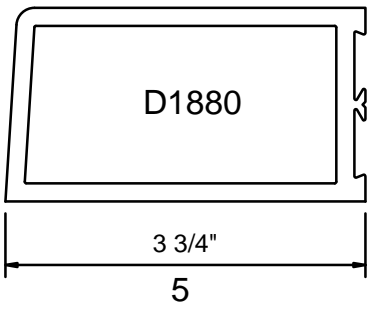
5



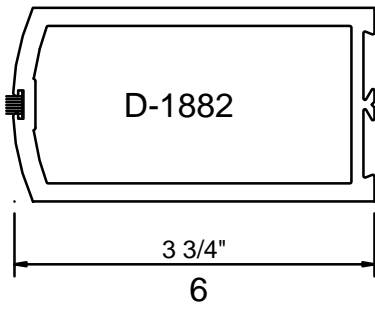
6



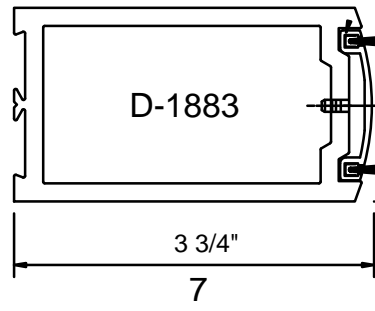
8



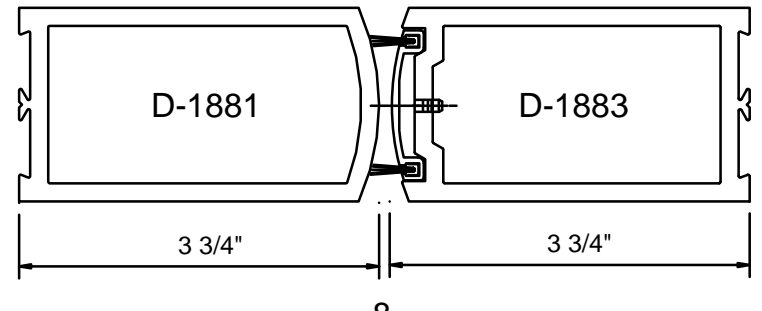
5



6

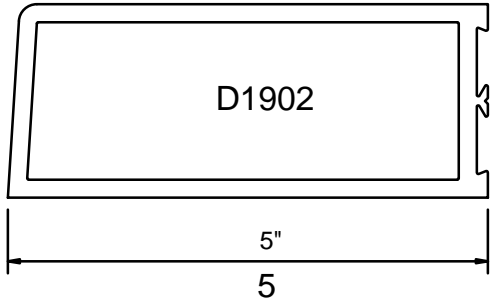


7

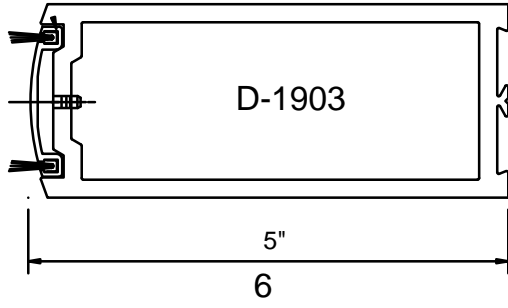


8

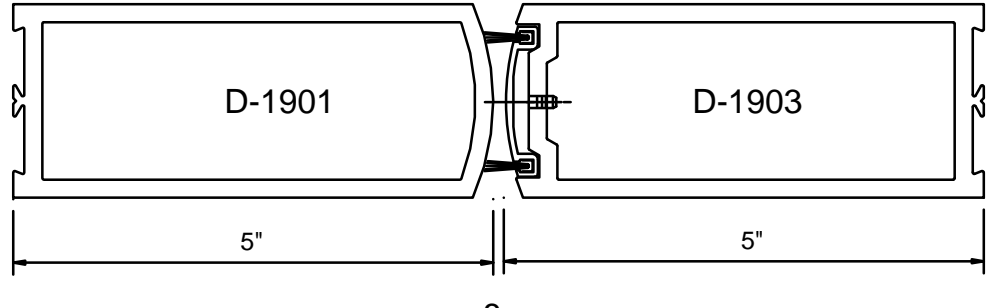
MEDIUM STILE



5

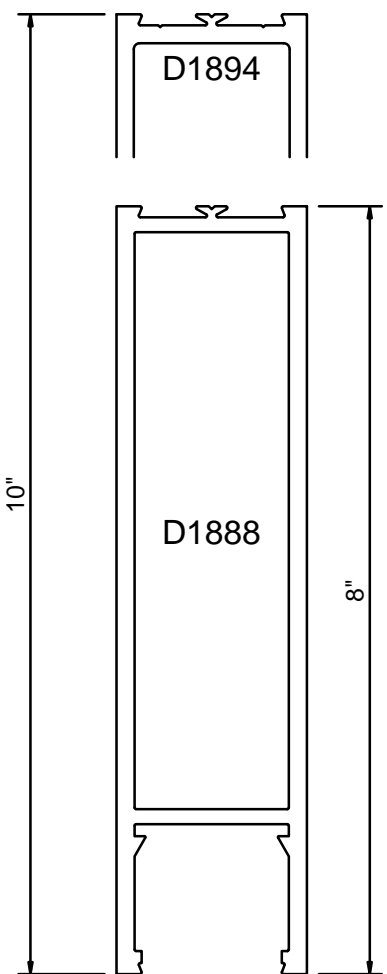


6



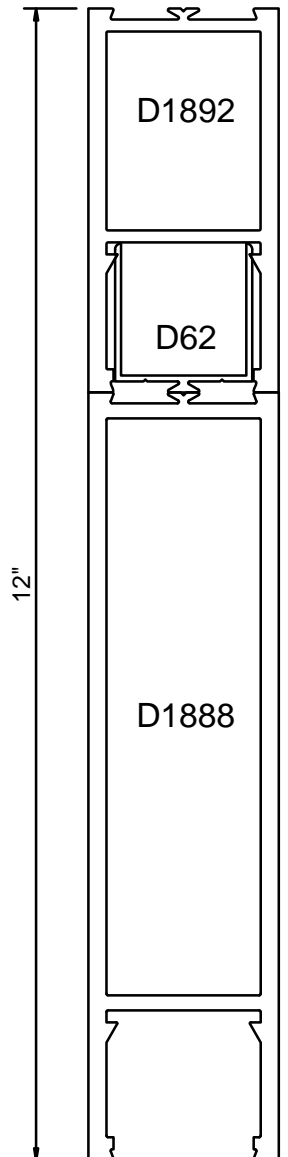
8

WIDE STILE



BOTTOM RAIL

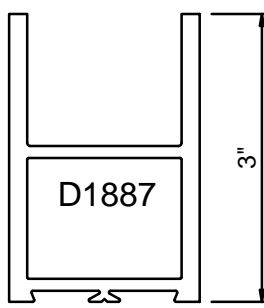
4



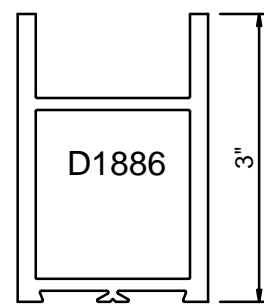
BOTTOM RAIL

4

OPTION

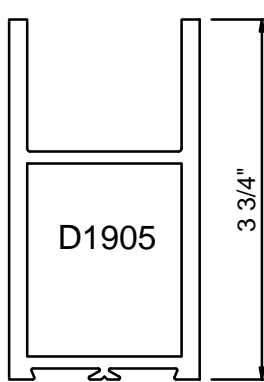


CONCEALED CLOSER 2



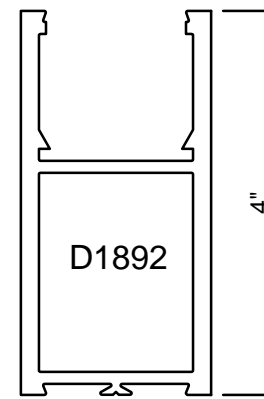
SURFACE CLOSER 2

MEDIUM STILE TOP RAILS



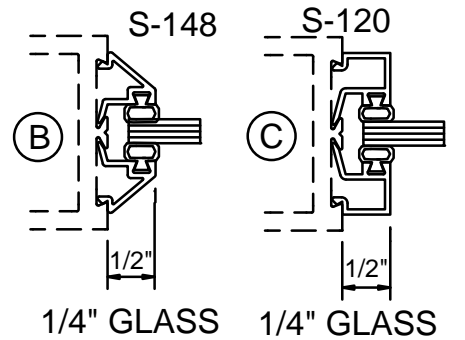
1

NARROW STILE TOP RAIL

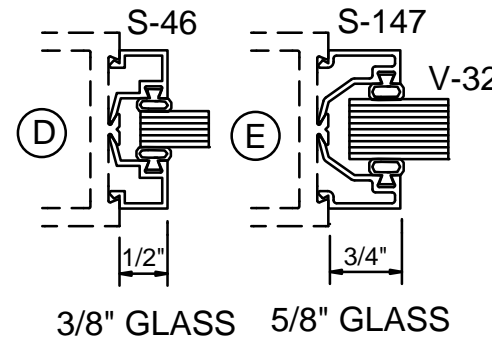


3

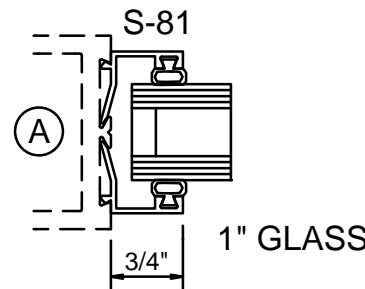
WIDE STILE TOP RAIL



1/4" GLASS 1/4" GLASS



3/8" GLASS 5/8" GLASS



1" GLASS

GLASS OPTIONS
A & B are Standard