

# Oldcastle BuildingEnvelope®

1-866-Oldcastle (653-2278) - [www.obe.com](http://www.obe.com)

## RELIANCE™ VENEER CURTAIN WALL 2-1/2" SIGHTLINE - 1/4" & 1" TYPICAL INFILL

*(Drawing numbers---i.e., H2931---used as CAD detail reference only)*

### Elevation

#### **1" Typical Infill**

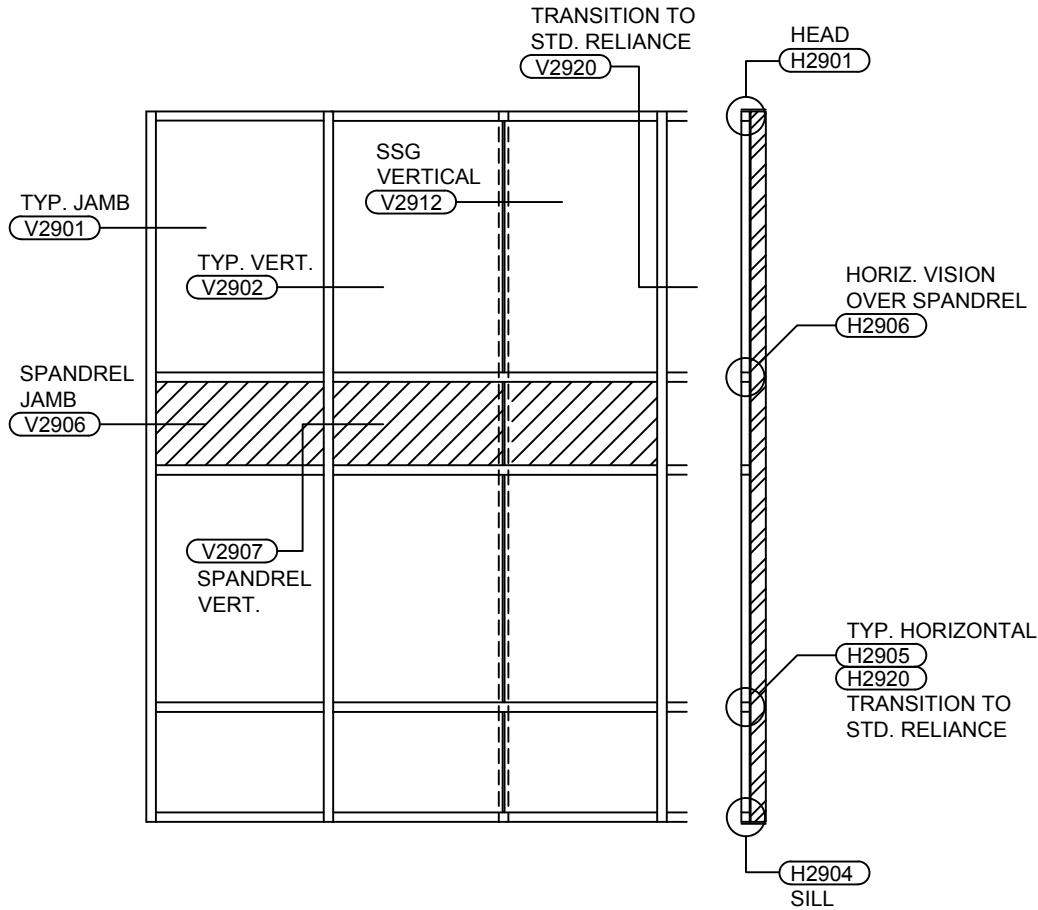
H2901	Head
H2904	Sill
H2905	Intermediate Horizontal
H2906	Intermediate Horizontal at Vision over Spandrel
H2920	Horizontal at Transition to Standard Reliance CW
V2901	Jamb
V2902	Intermediate Vertical
V2906	Jamb at Spandrel
V2907	Intermediate Vertical at Spandrel
V2912	SSG Vertical
V2920	Vertical at Transition to Reliance CW

#### **1/4" Typical Infill**

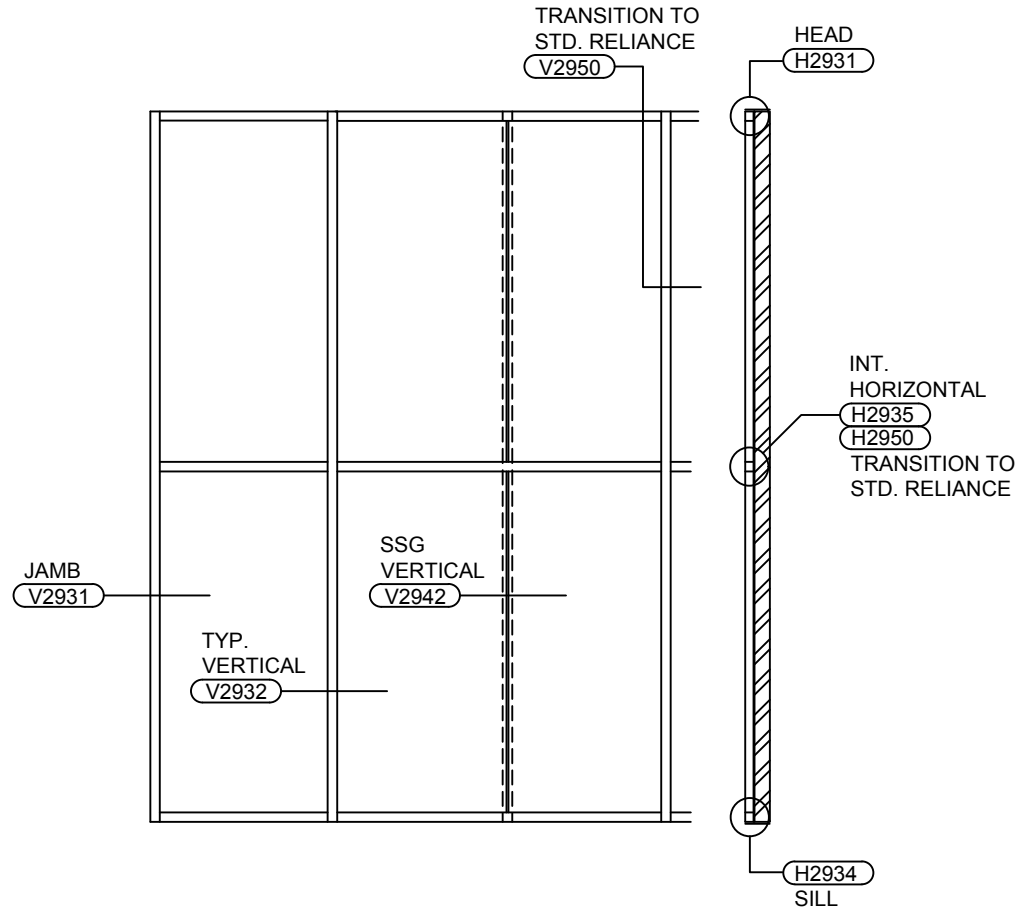
H2931	Head
H2934	Sill
H2935	Intermediate Horizontal
H2950	Horizontal at Transition to Standard Reliance CW
V2931	Jamb
V2932	Intermediate Vertical
V2942	SSG Vertical
V2950	Vertical at Transition to Standard Reliance CW

## Table of Contents

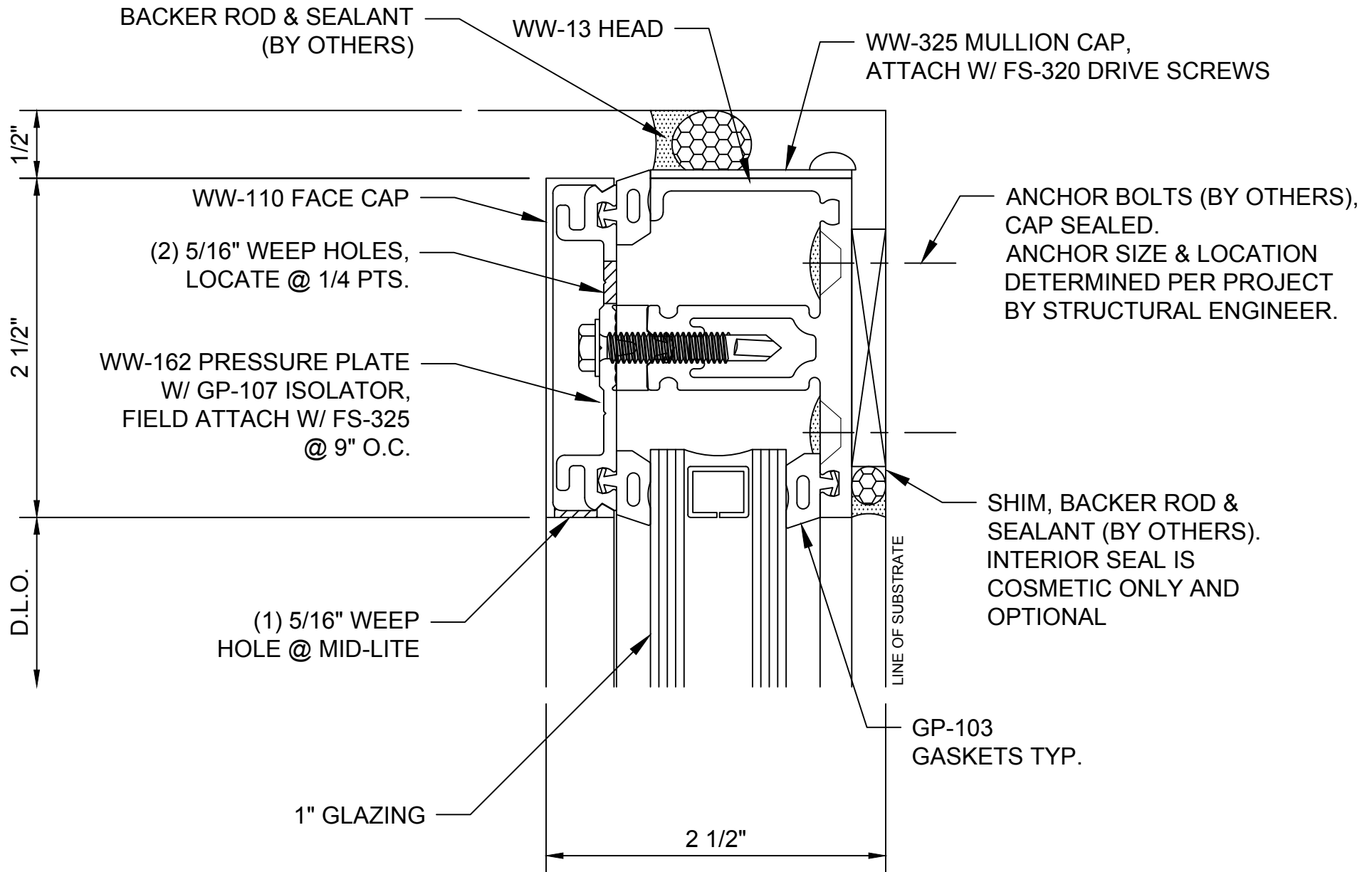
# 1" TYPICAL INFILL



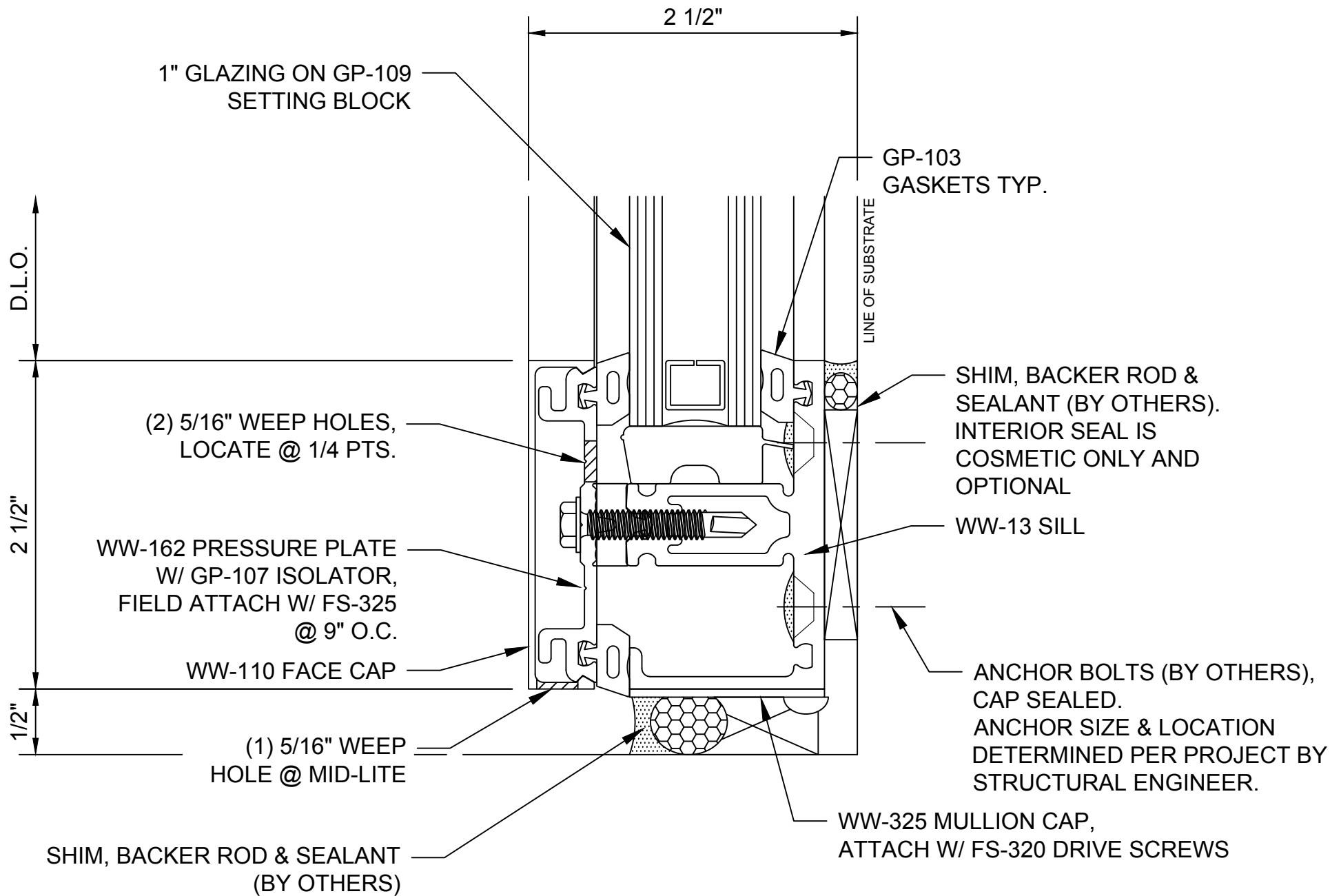
# 1/4" TYPICAL INFILL



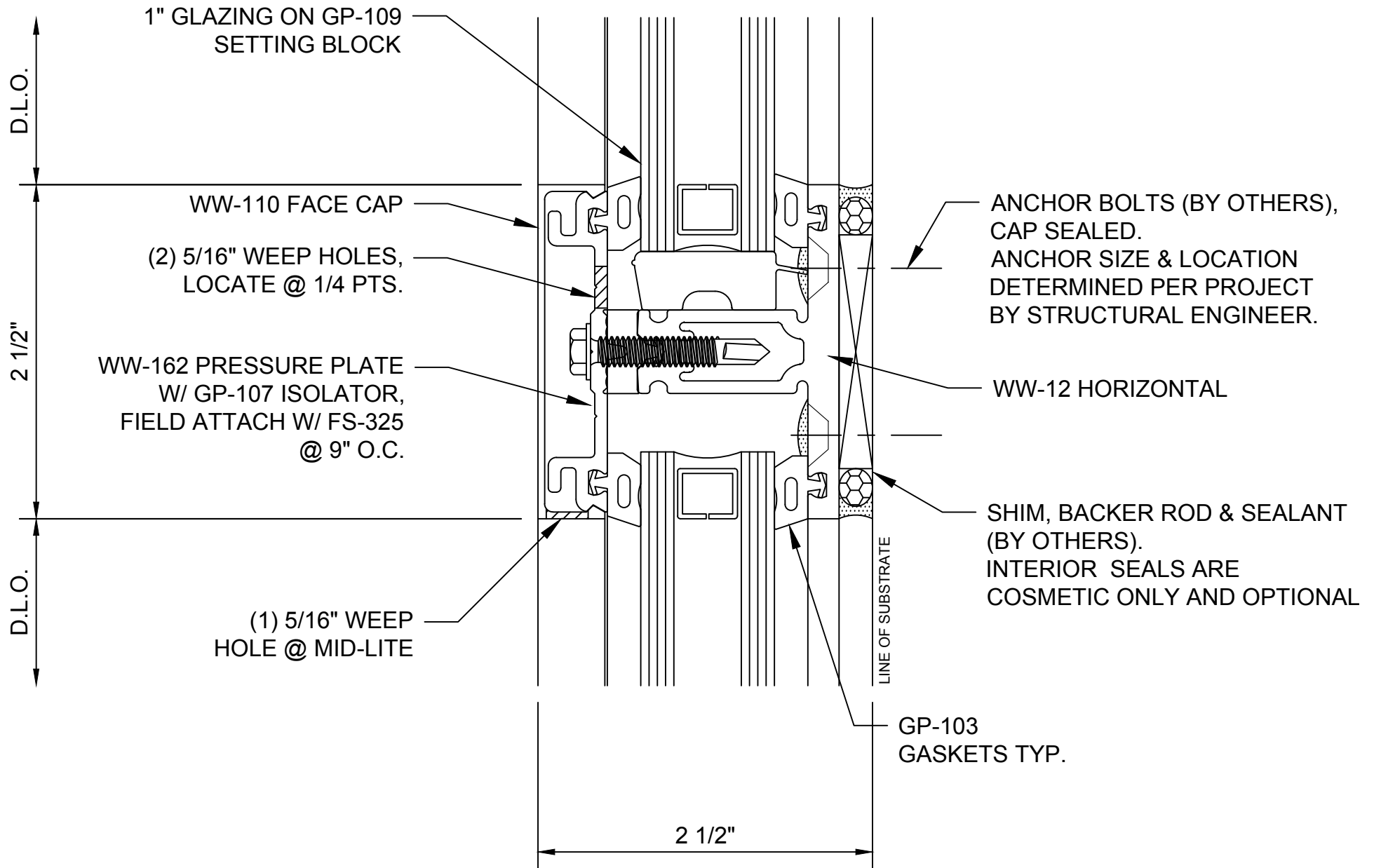
## Reliance™ Veneer Curtain Wall 2-1/2" Sightline w/ 1" & 1/4" Typ. Infill - Elevation



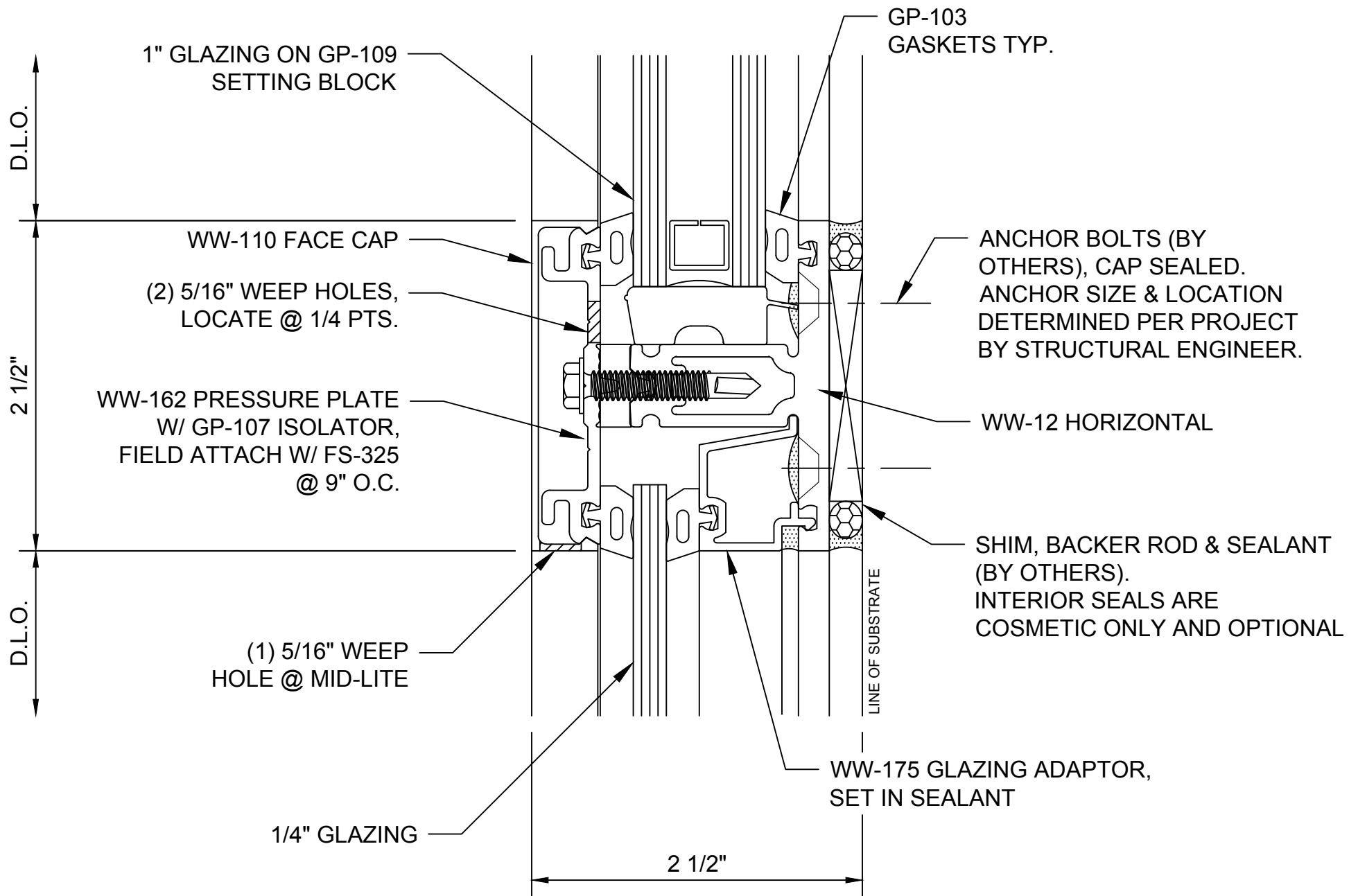
**Reliance™ Veneer**  
**Head - H2901**



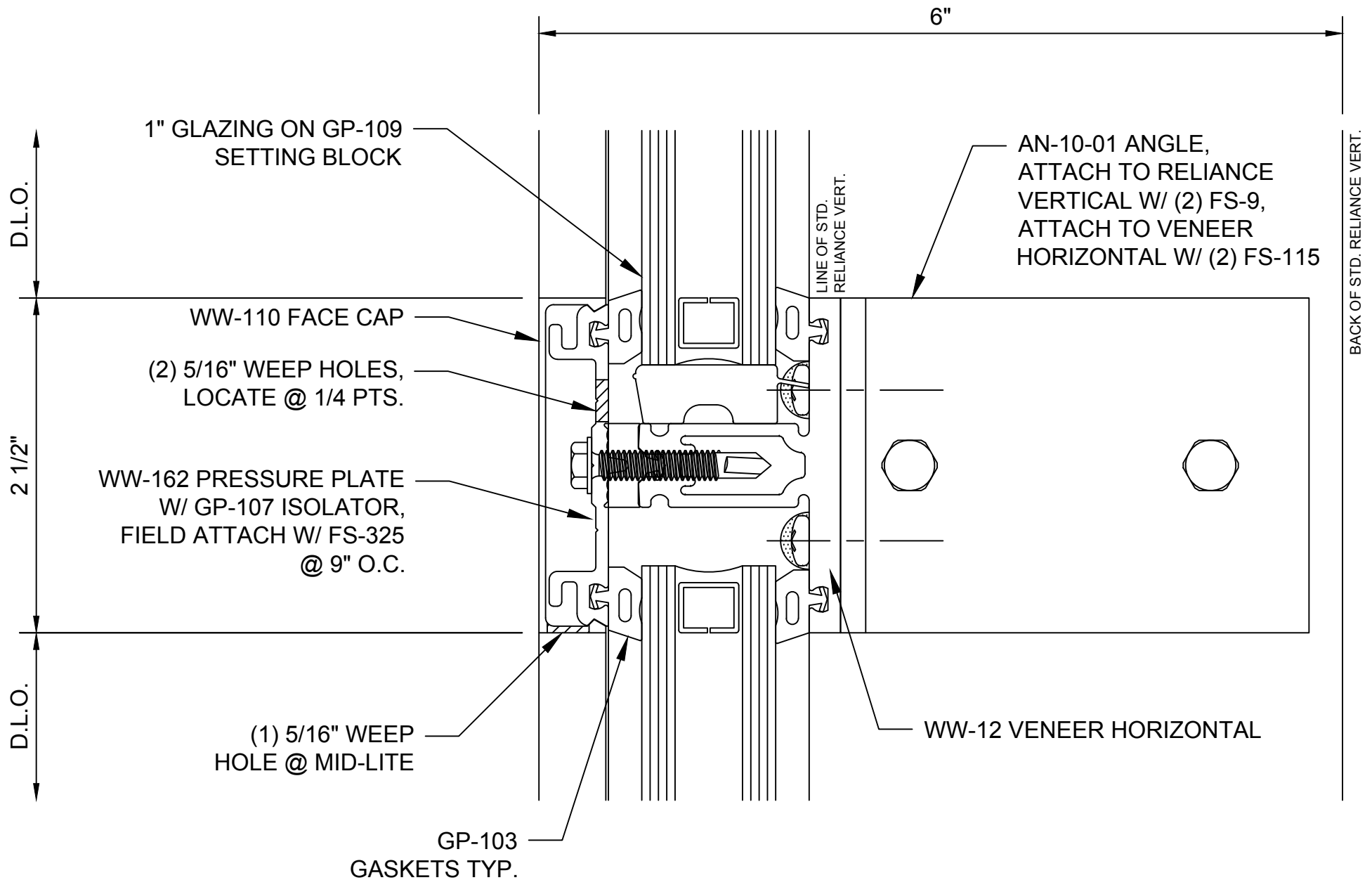
**Reliance™ Veneer**  
**Sill - H2904**



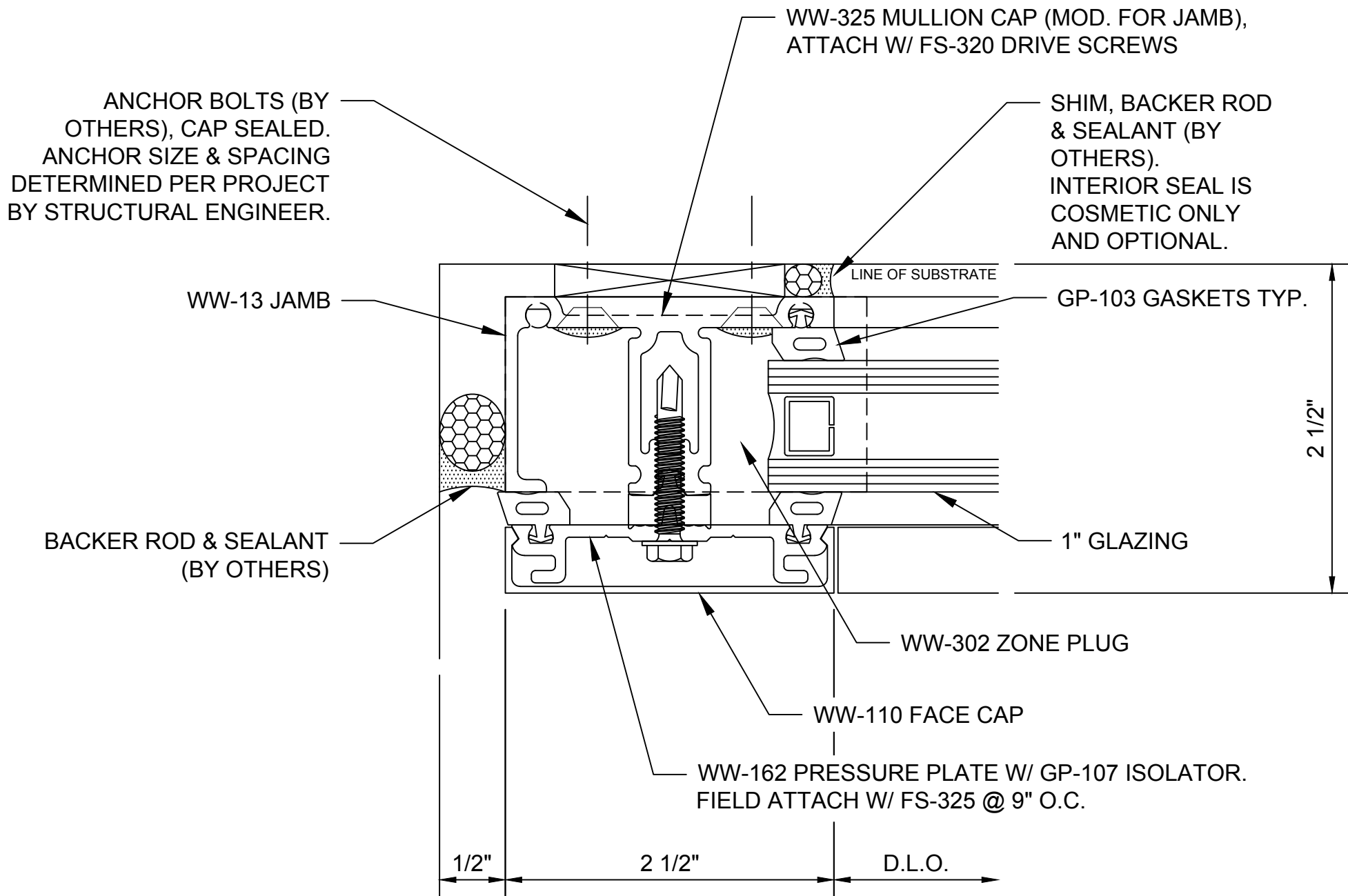
**Reliance™ Veneer**  
**Intermediate Horizontal - H2905**



**Reliance™ Veneer**  
**Intermediate Horizontal at Vision over Spandrel - H2906**



**Reliance™ Veneer**  
**Horizontal at Transition to Standard Reliance Curtain Wall - H2920**



**Reliance™ Veneer**  
**Jamb - V2901**



ANCHOR BOLTS (BY OTHERS), CAP SEALED. ANCHOR SIZE & SPACING DETERMINED PER PROJECT BY STRUCTURAL ENGINEER.

WW-325 MULLION CAP, ATTACH W/ FS-320 DRIVE SCREWS

SHIM, BACKER ROD & SEALANT (BY OTHERS). INTERIOR SEALS ARE COSMETIC ONLY AND OPTIONAL.

WW-12 MULLION

LINE OF SUBSTRATE

GP-103 GASKETS TYP.

2 1/2"

1" GLAZING

WW-302 ZONE PLUG (BOTH SIDES)

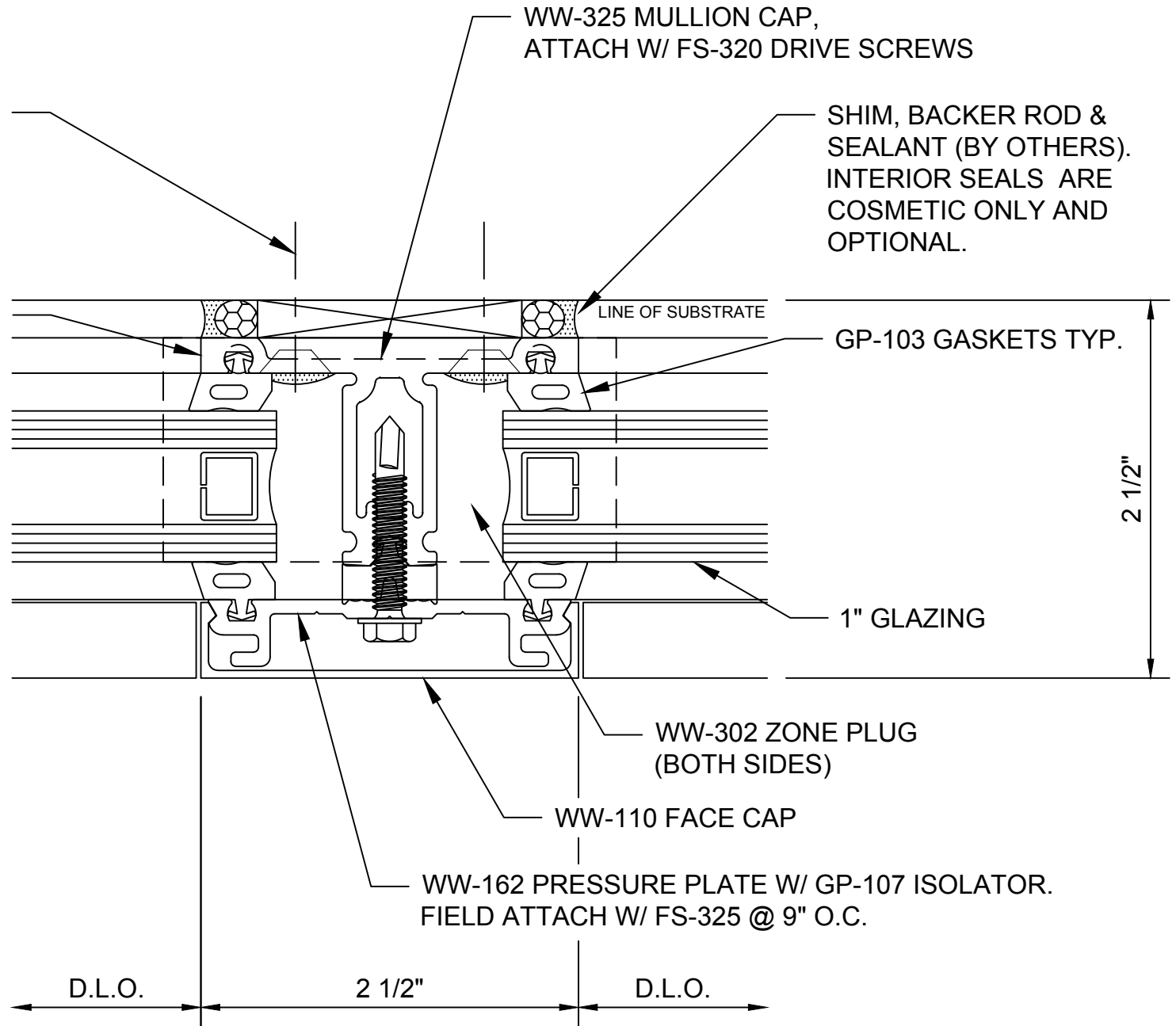
WW-110 FACE CAP

WW-162 PRESSURE PLATE W/ GP-107 ISOLATOR. FIELD ATTACH W/ FS-325 @ 9" O.C.

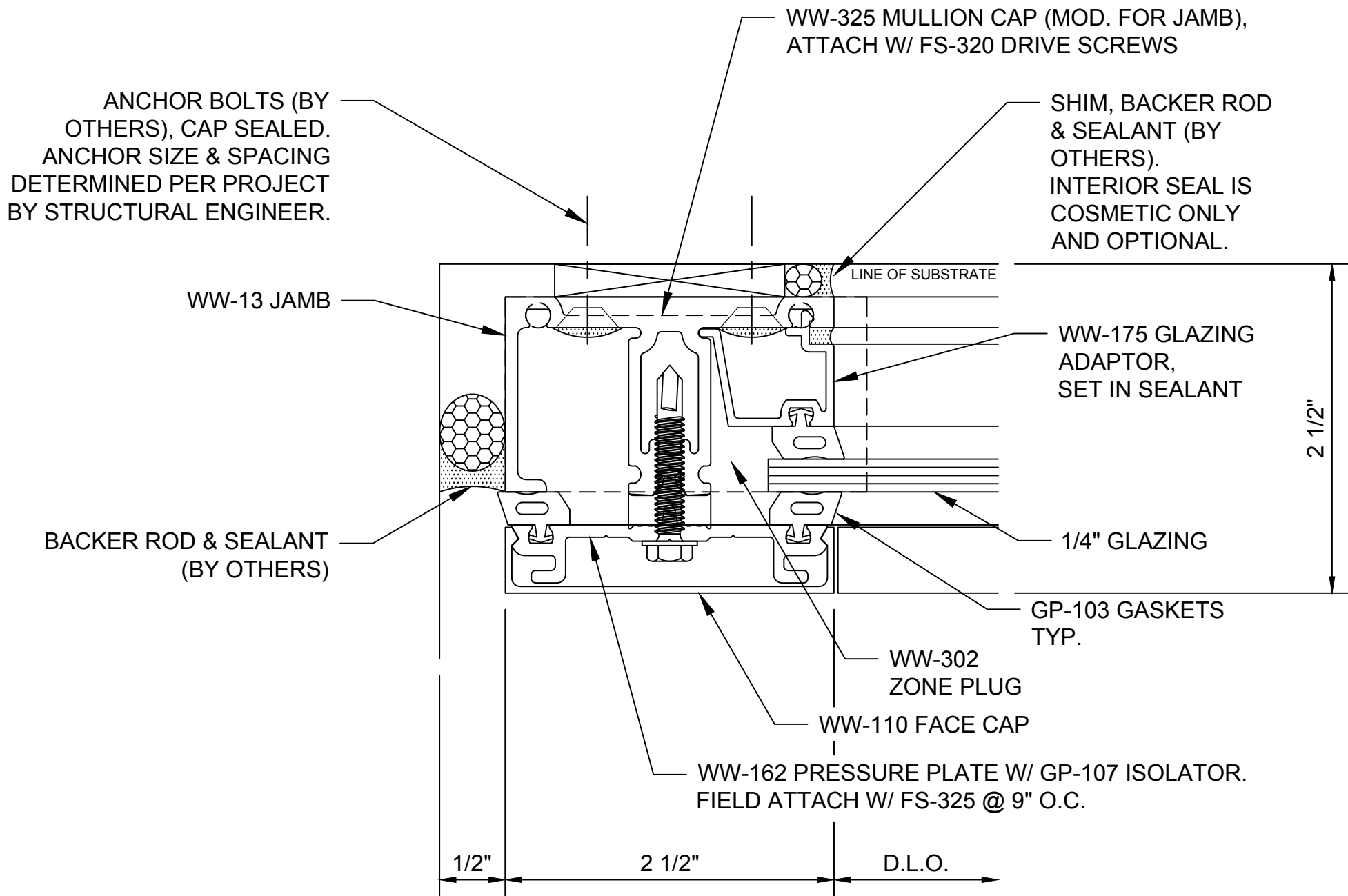
D.L.O.

2 1/2"

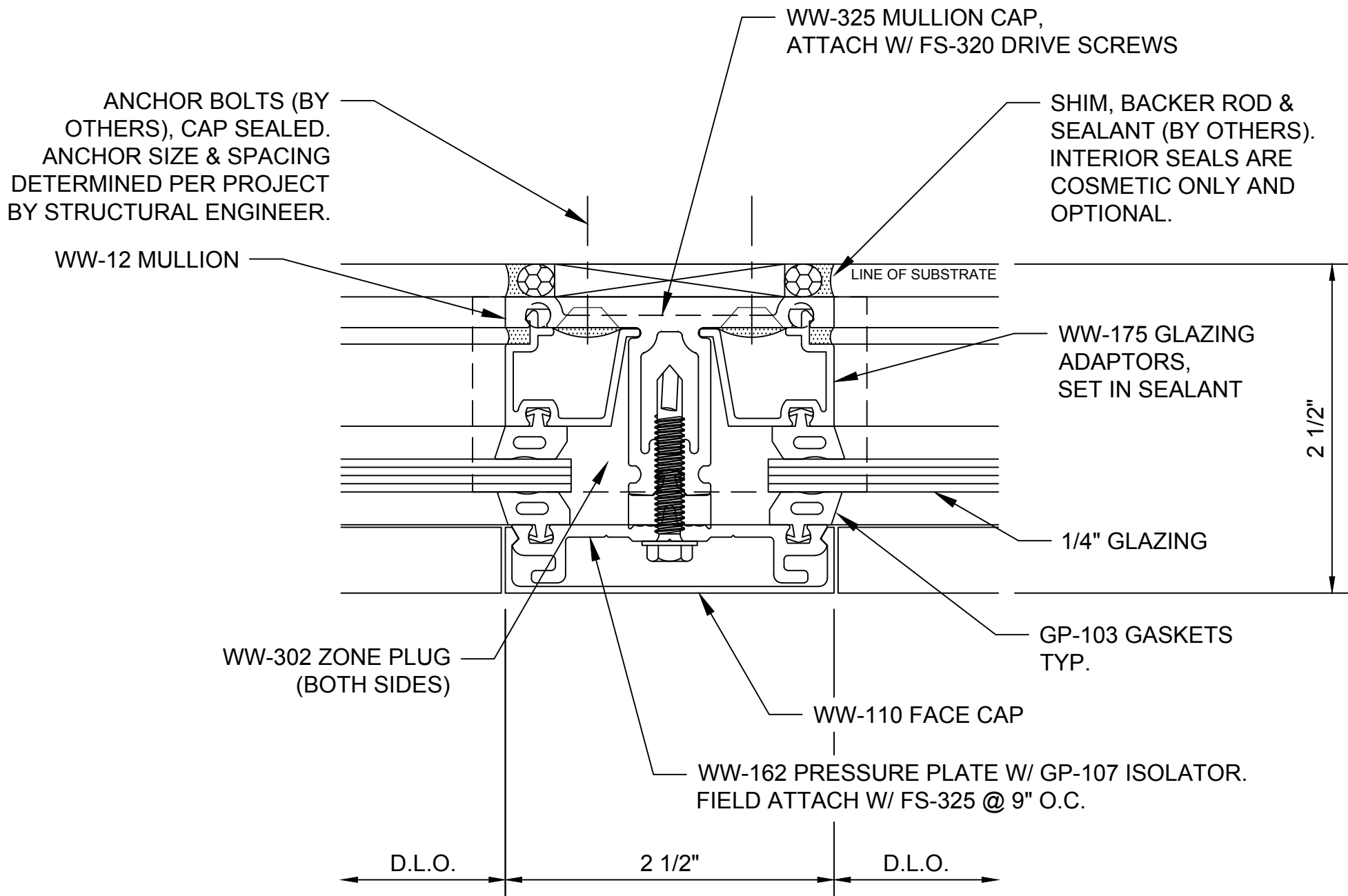
D.L.O.



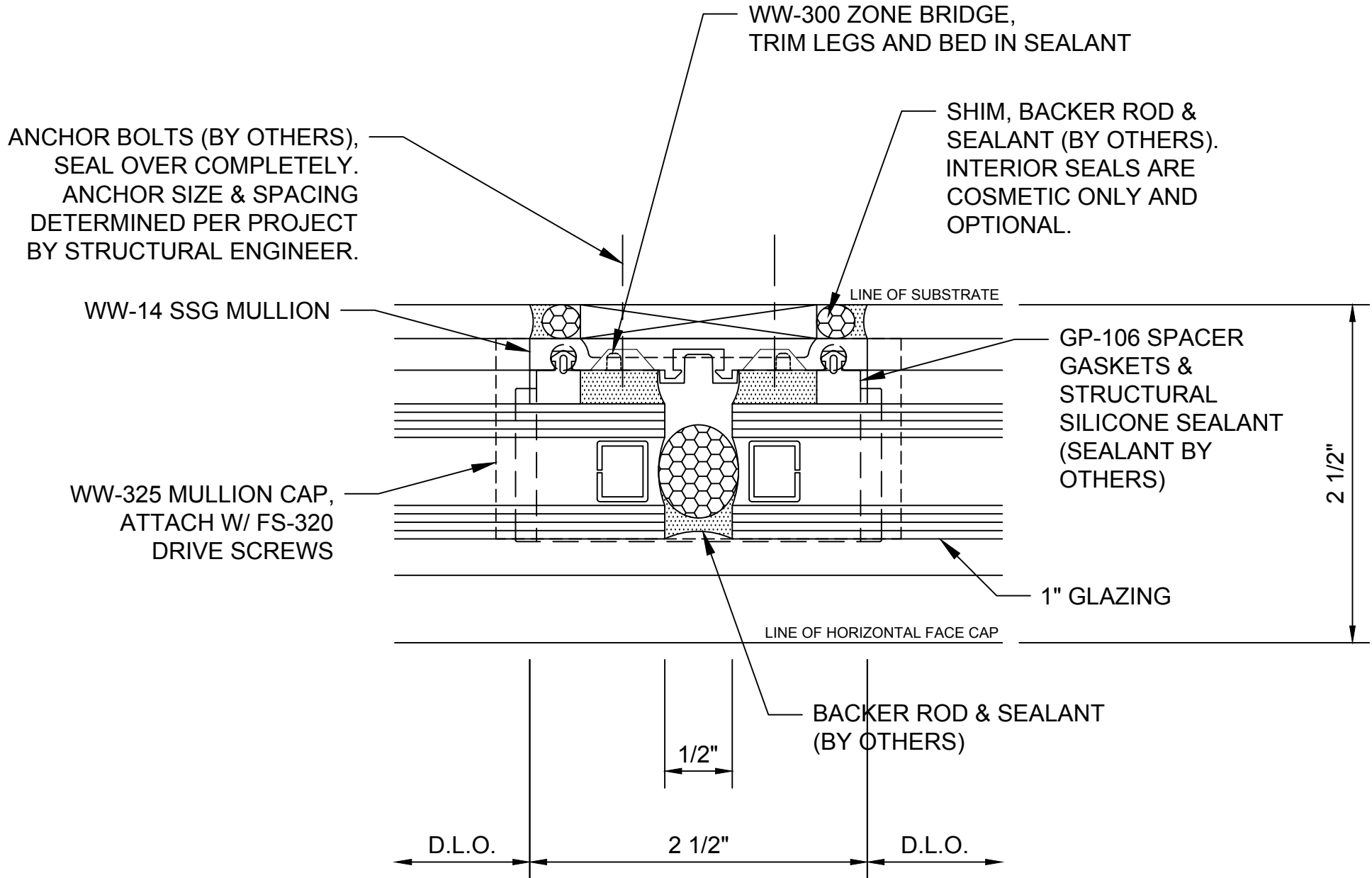
**Reliance™ Veneer**  
**Intermediate Vertical - V2902**



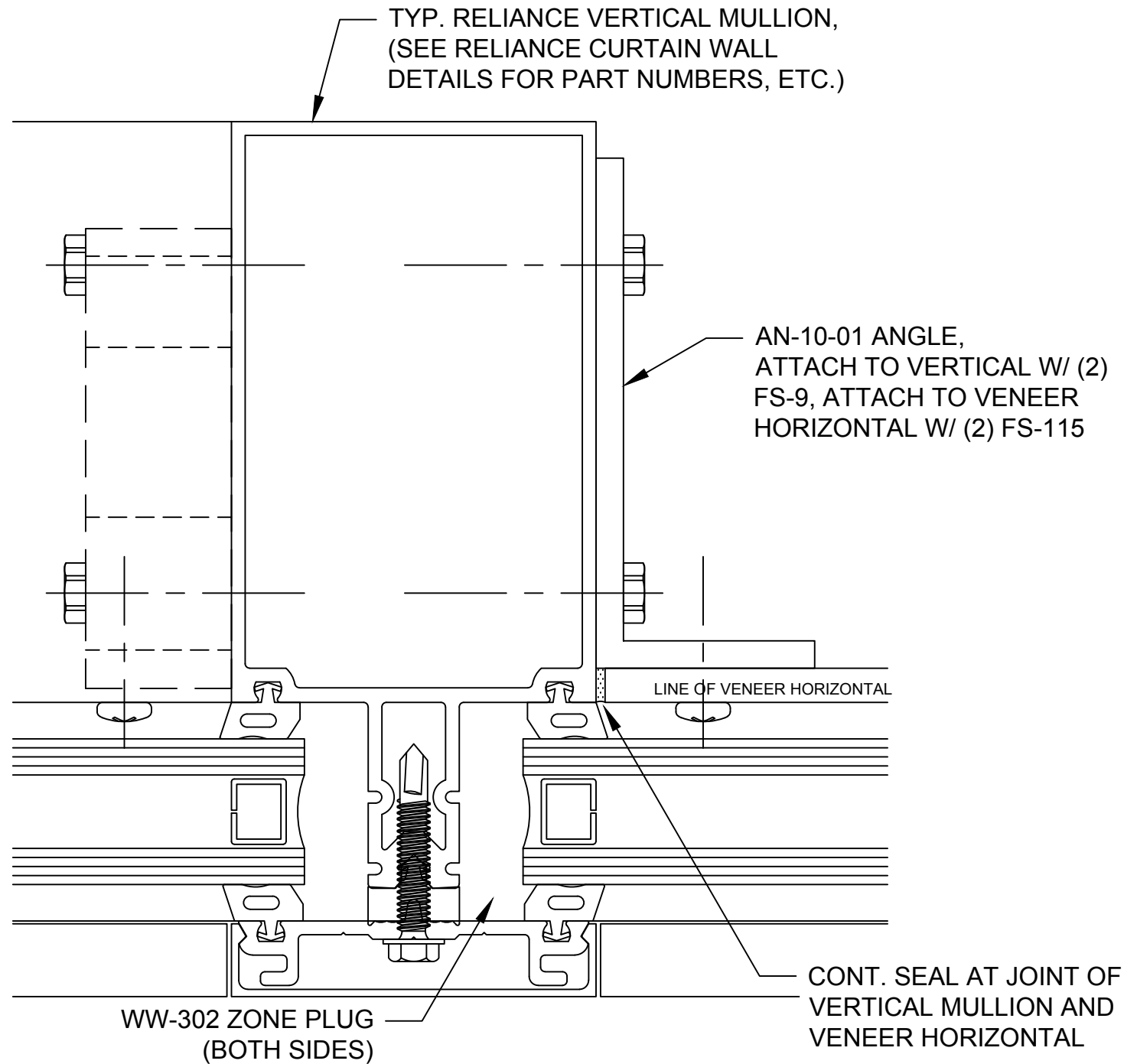
**Reliance™ Veneer**  
**Jamb at Spandrel - V2906**



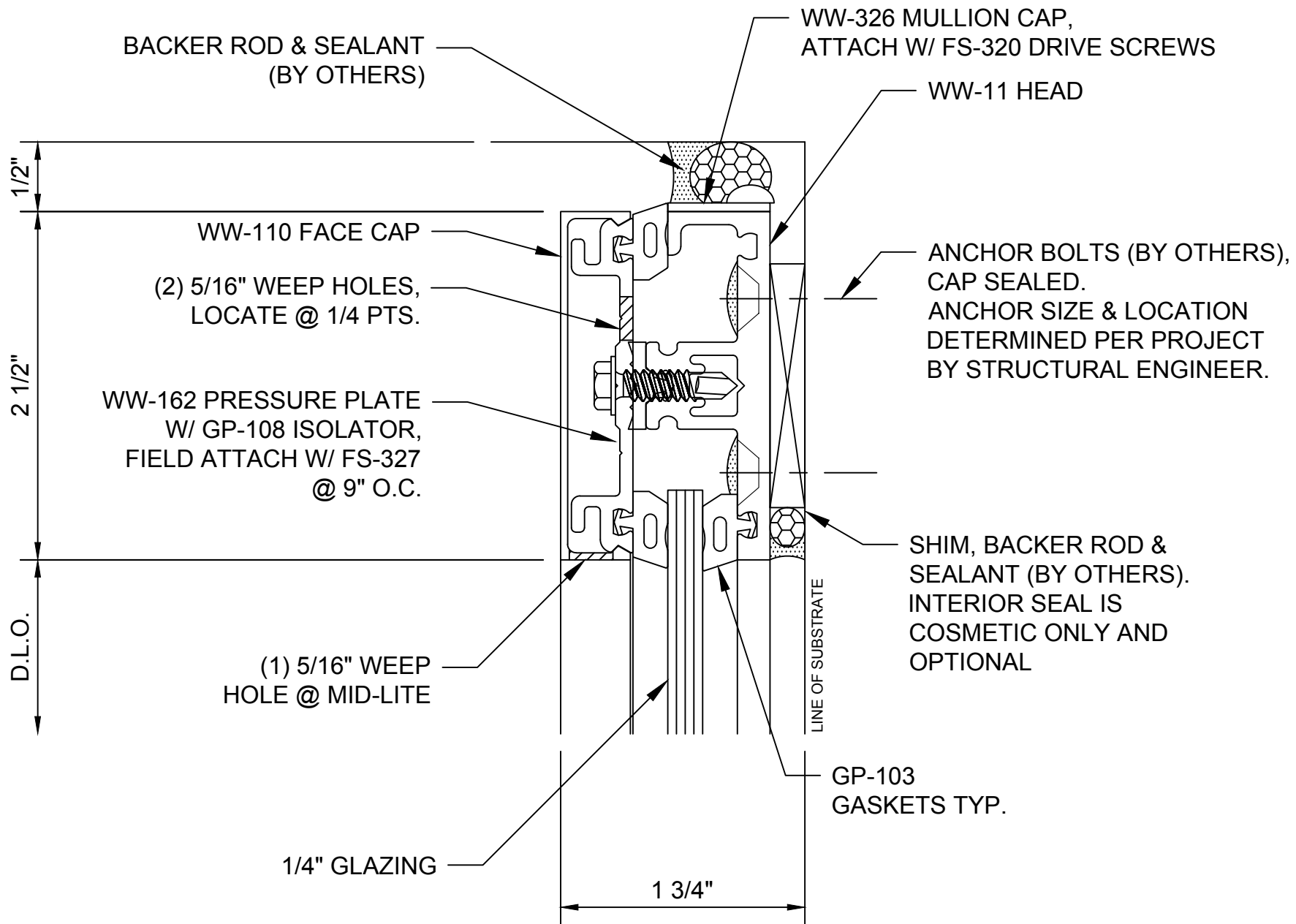
**Reliance™ Veneer**  
**Intermediate Vertical at Spandrel - V2907**



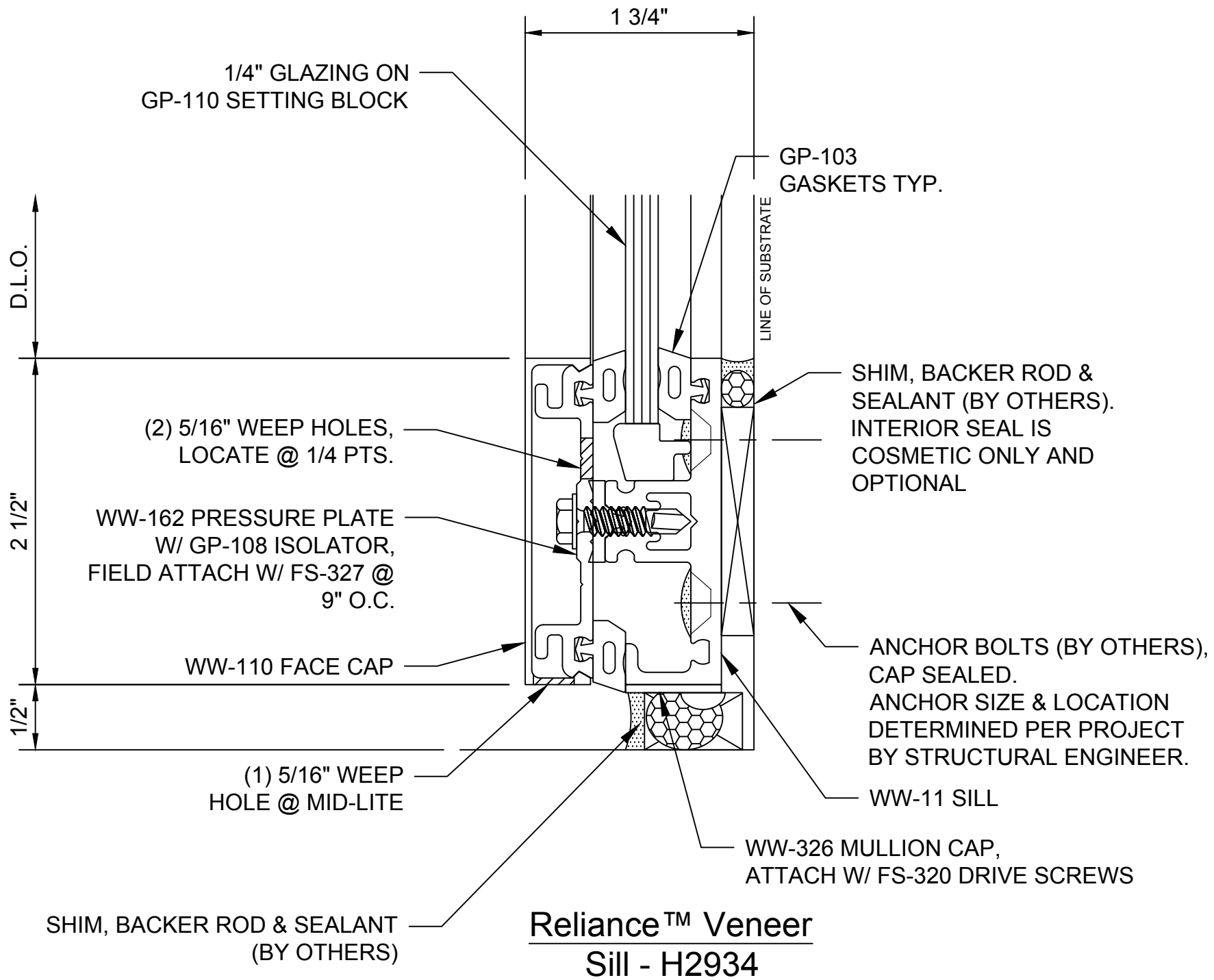
**Reliance™ Veneer**  
**SSG Vertical - V2912**

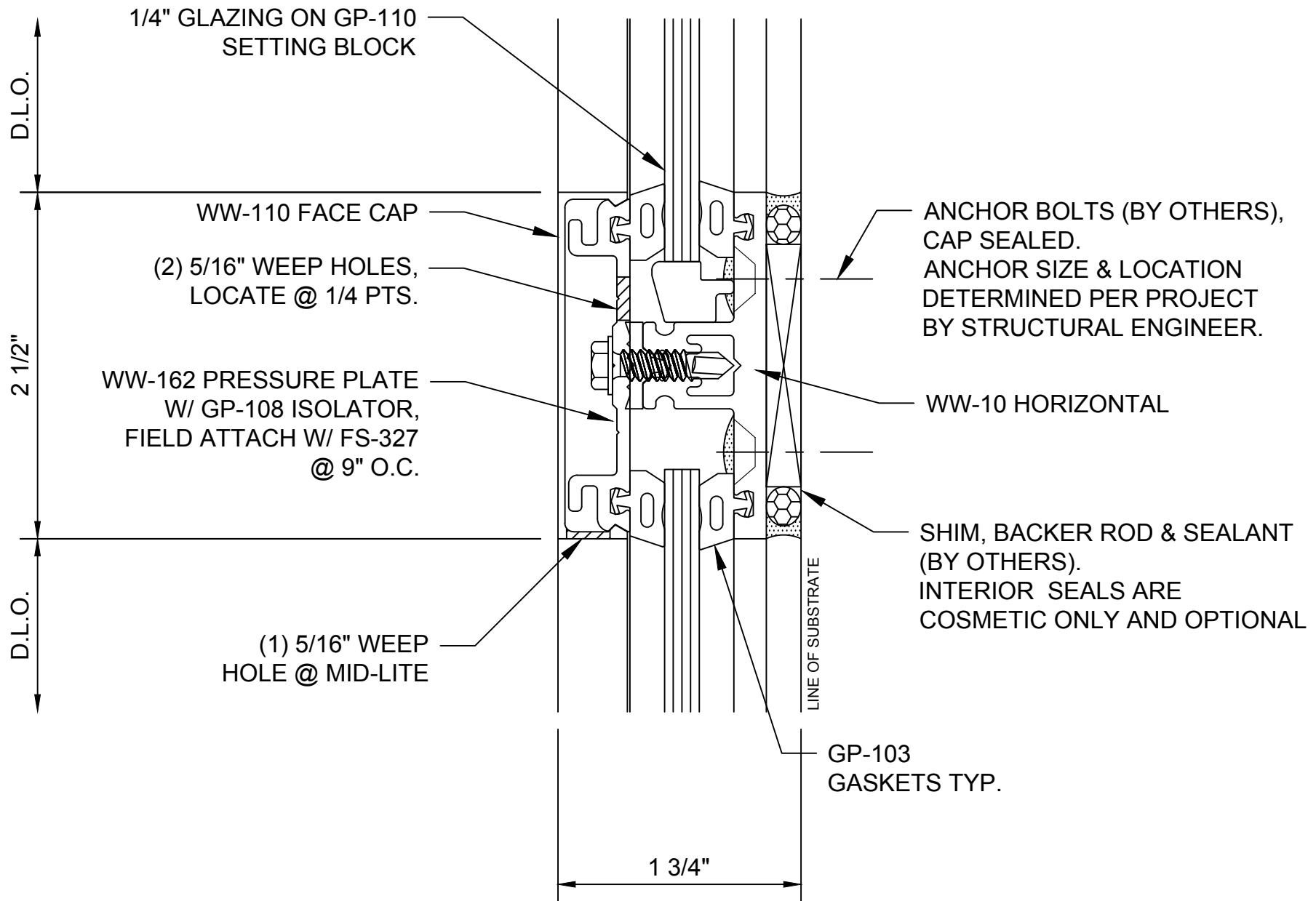


**Reliance™ Veneer**  
**Vertical at Transition to Standard Reliance Curtain Wall - V2920**



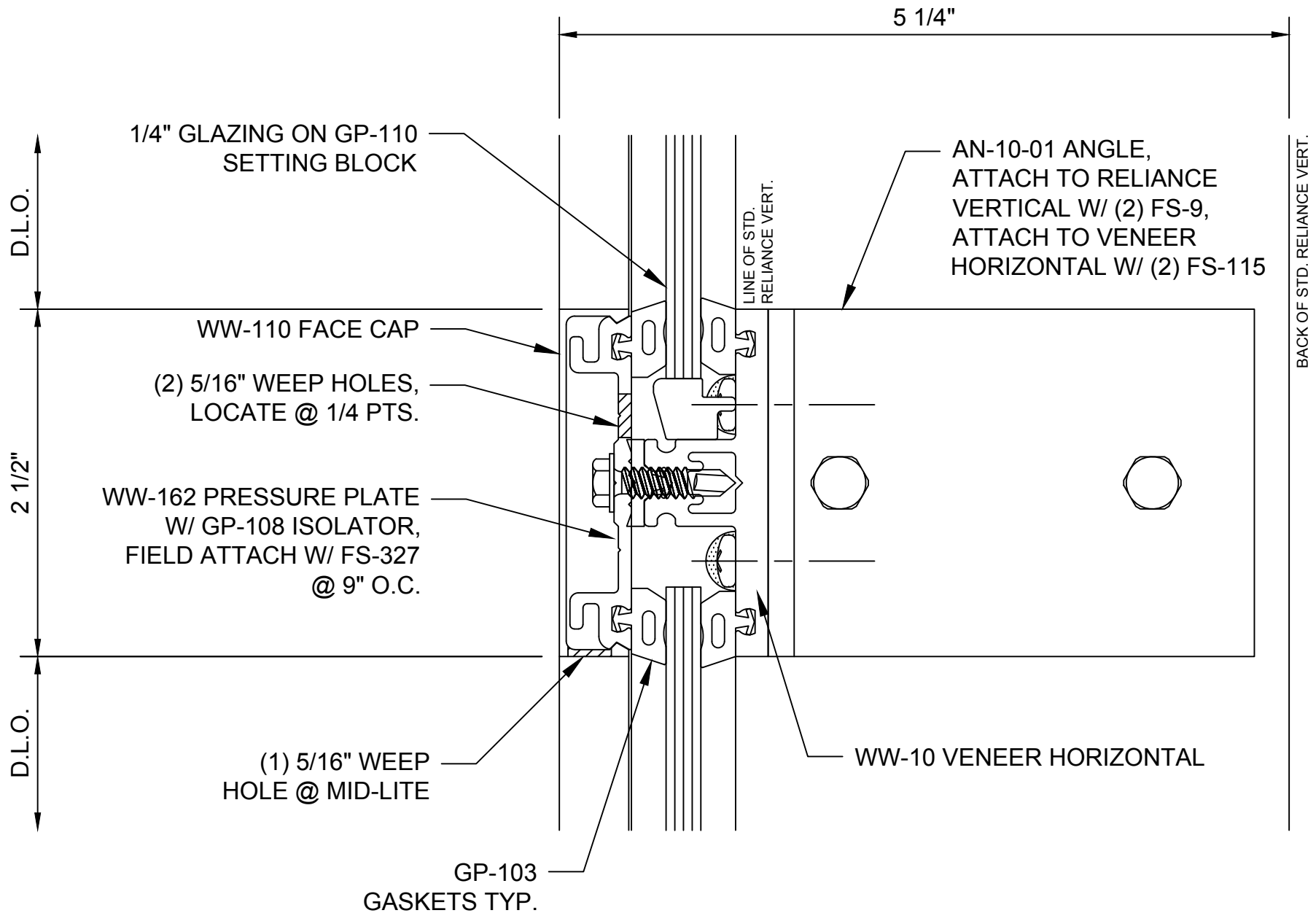
**Reliance™ Veneer**  
**Head - H2931**



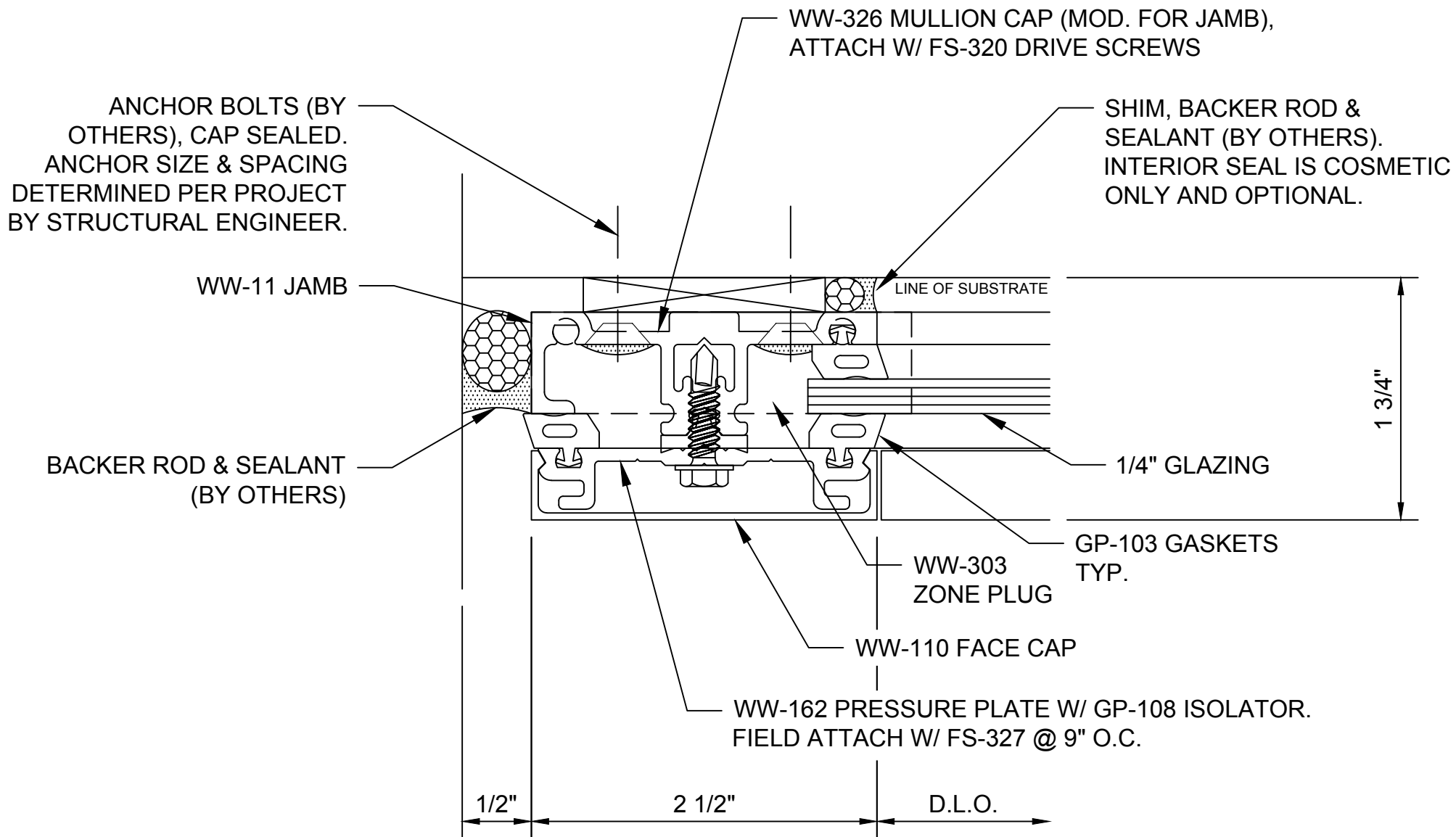


**Reliance™ Veneer**  
**Intermediate Horizontal - H2935**

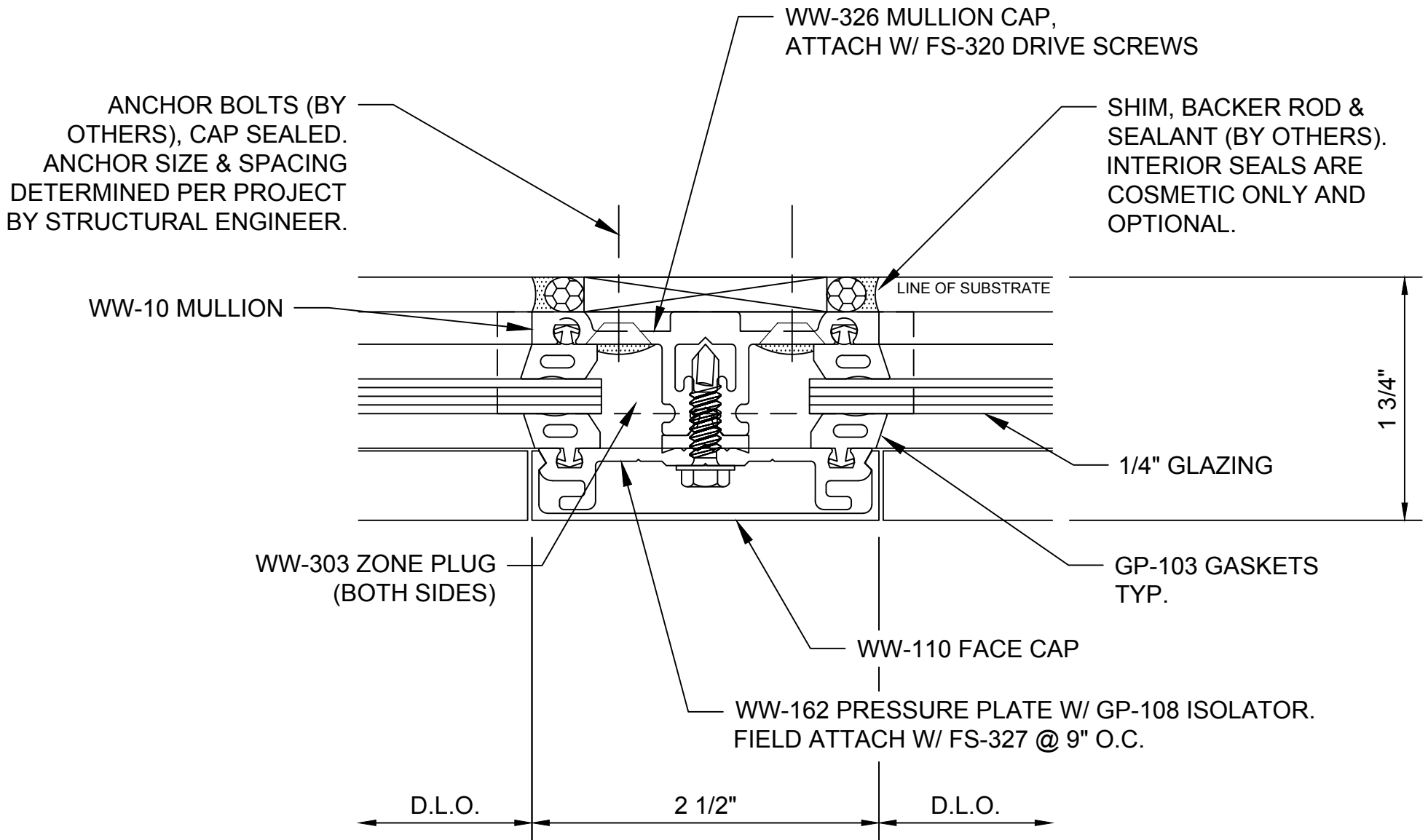




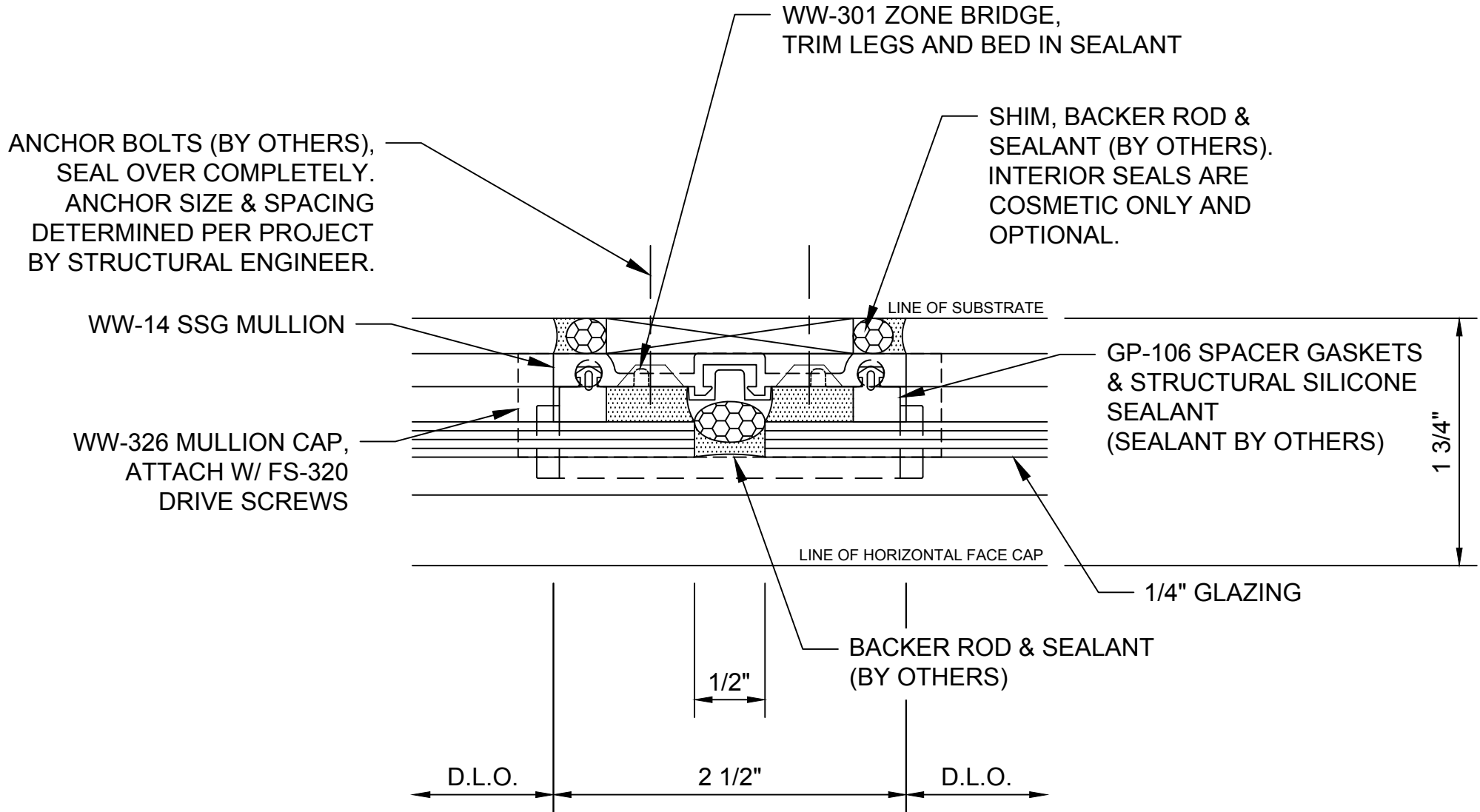
**Reliance™ Veneer**  
**Horizontal at Transition to Standard Reliance Curtain Wall - H2950**



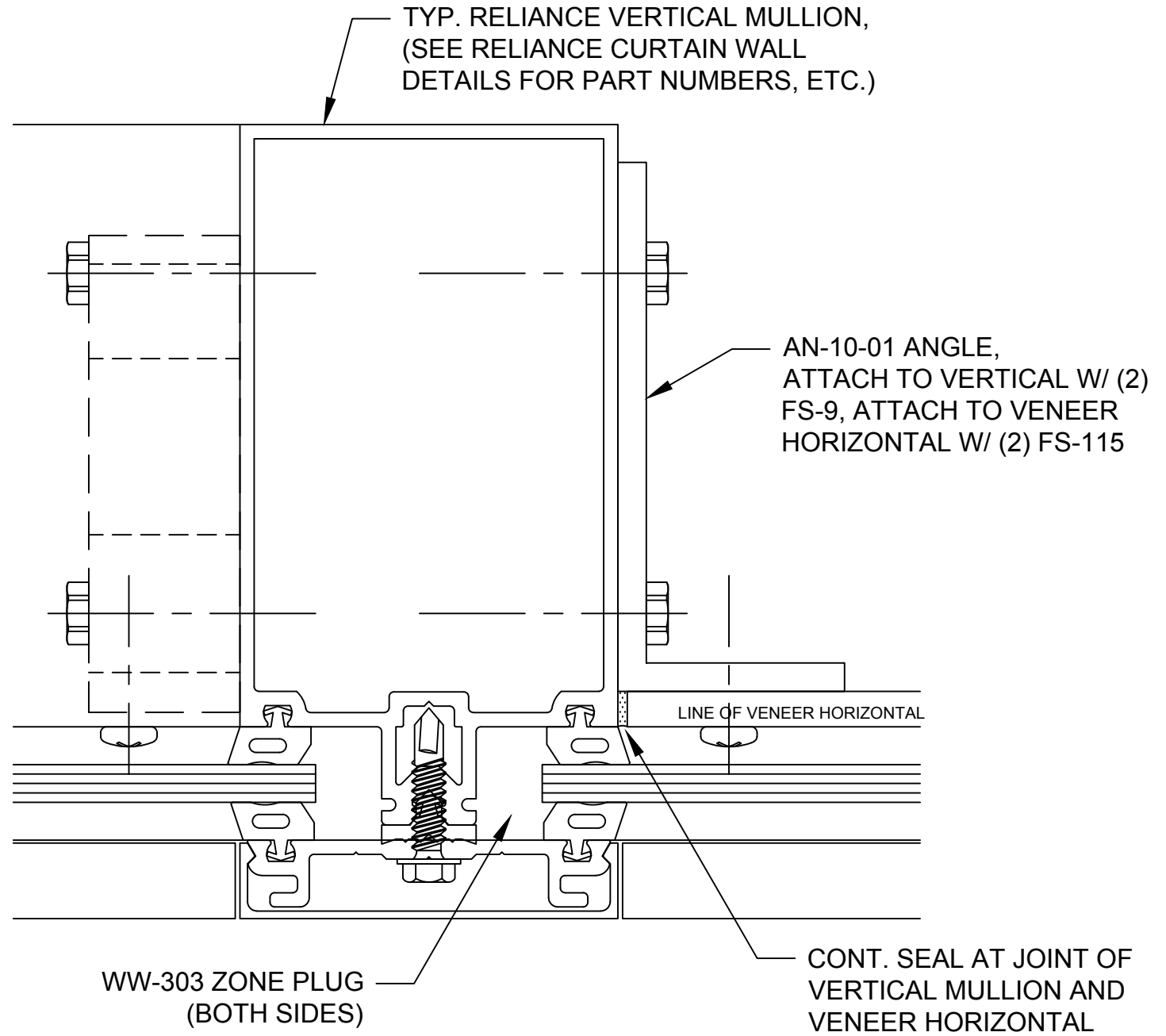
**Reliance™ Veneer**  
**Jamb - V2931**



**Reliance™ Veneer**  
**Intermediate Vertical - V2932**



**Reliance™ Veneer**  
**SSG Vertical - V2942**



**Reliance™ Veneer**  
**Vertical at Transition to Standard Reliance Curtain Wall - V2920**