

Oldcastle BuildingEnvelope®

1-866-Oldcastle (653-2278) - www.obe.com

RELIANCE™-TC IG CURTAIN WALL THERMAL COMPOSITE, INSIDE GLAZED / 2-1/2" X 7-1/4" w/ 1" Infill (typ.)

(Drawing numbers---i.e., H8501---used as CAD detail reference only)

Elev_Rcw-TCIG_725

H0042 - Steel Anchoring

H8425 - 'F' & 'T' Mullion Anchoring

H8499 - 1/4" Glazing Adaptors

H8401 - Head Horizontal

H8402 - Head Horizontal - 1/4" Glazing

H8404 - Sill Horizontal

H8405 - Typical Horizontal

H8411 - Outside Glazed Horizontal - 1/4" Glazing

H8414 - Mullion Splice - Typical

H8415 - Mullion Splice - SSG

H8494 - Horizontal at Operable Window - Bottom

H8496 - Horizontal at Operable Window - Top

V8401 - Jamb Vertical

V8402 - Typical Vertical

V8405 - Heavy Vertical

V8415 - 90° Outside Corner - 2 Mullion

V8417 - 90° Inside Corner - 2 Mullion

V8421 - 90° Outside Corner - Single

V8423 - 135° Outside Corner - Single

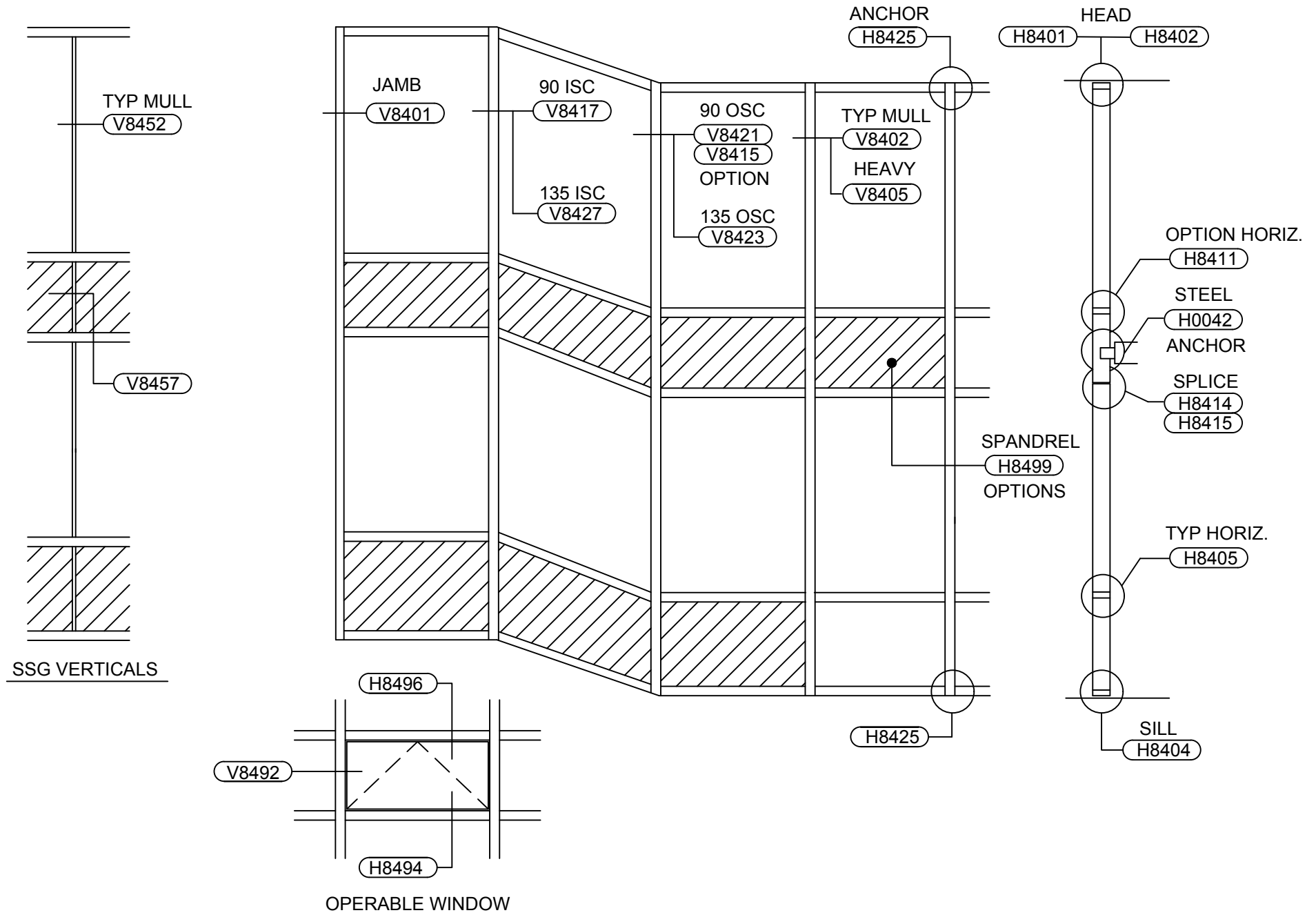
V8427 - 135° Inside Corner - 2 Mullion

V8452 - SSG Vertical

V8457 - SSG Vertical - 1/4" Glazing

V8492 - Vertical at Operable Window

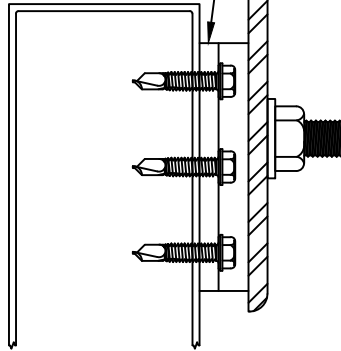
Table of Contents



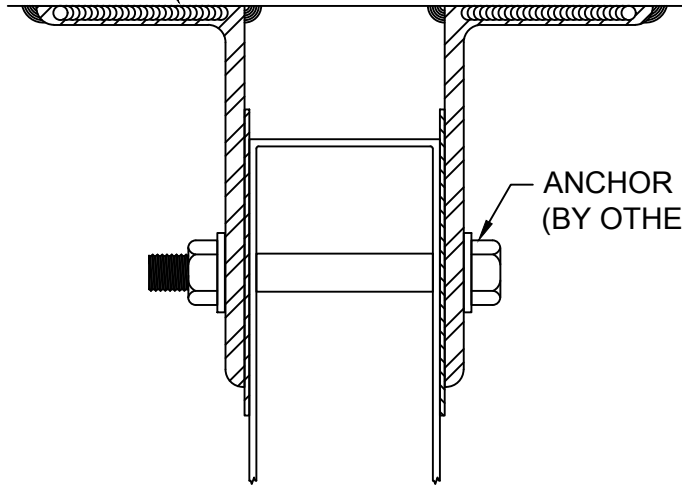
Reliance™-TC IG - Thermal Composite Inside Glazed Curtain Wall
2-1/2" x 7-1/4" w/ 1" Glazing - Elevation

WELD AS REQUIRED BY INSTALLER

FLOOR SLAB OR BEAM
WW-2223 JAMB ANCHOR PLATE
ATTACH W/ (6) FS-336 (1/4"-20 X
1-1/8" HWH DRILL FLEX)

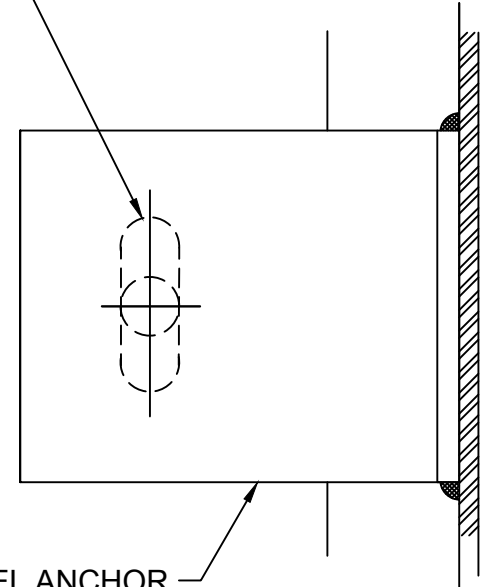


Plan View
Jamb Option



Plan View
Intermediate Mullion

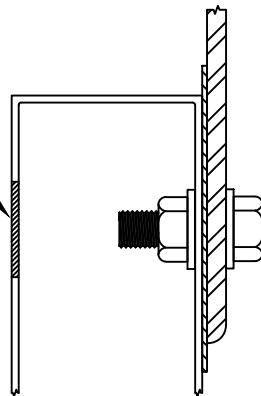
HOLE IN ANCHOR @ DEAD LOAD
SLOT IN ANCHOR @ WIND LOAD



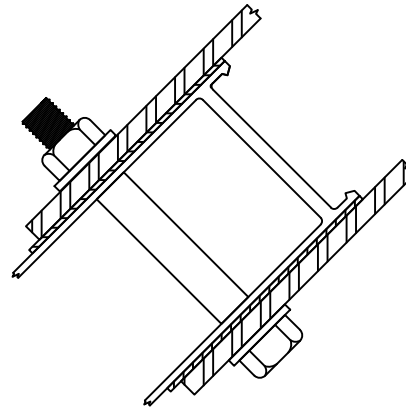
Side View

STEEL ANCHOR
DESIGN DETERMINED
BY ENGINEER. SEE
APPROVED SHOP
DRAWINGS.

ACCESS HOLE

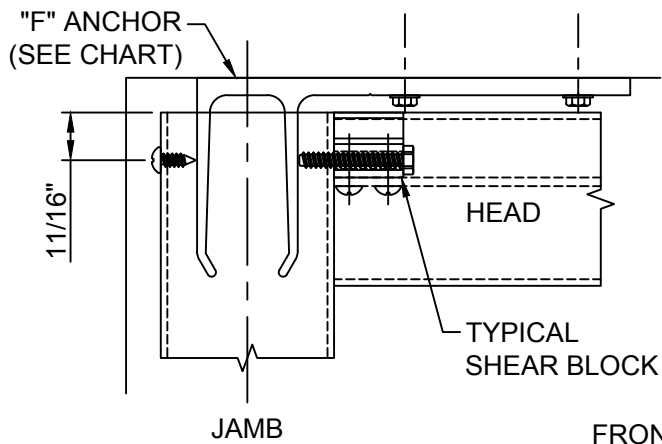


Plan View
Jamb Option

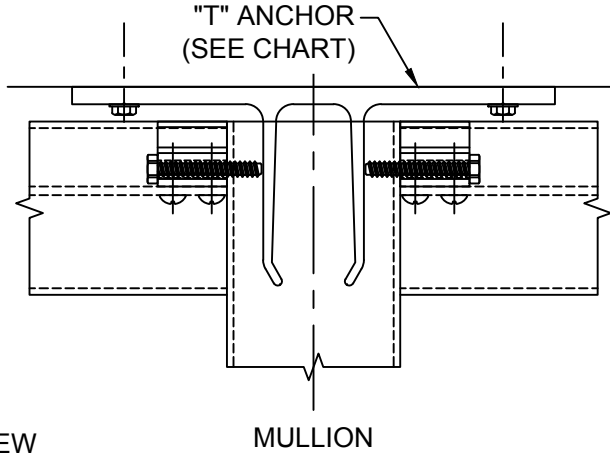


Plan View
Single Mull Corners

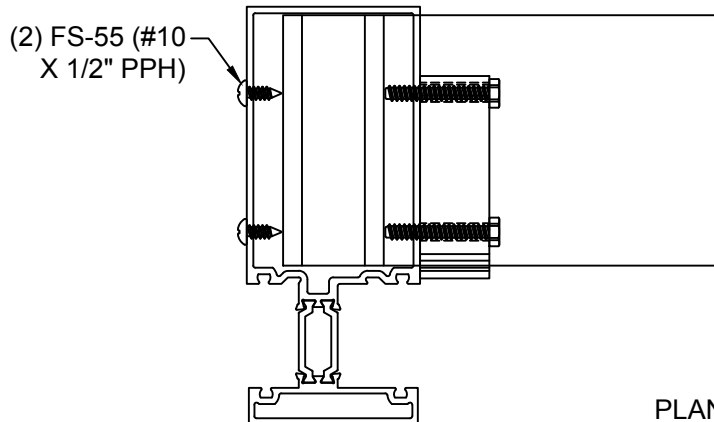
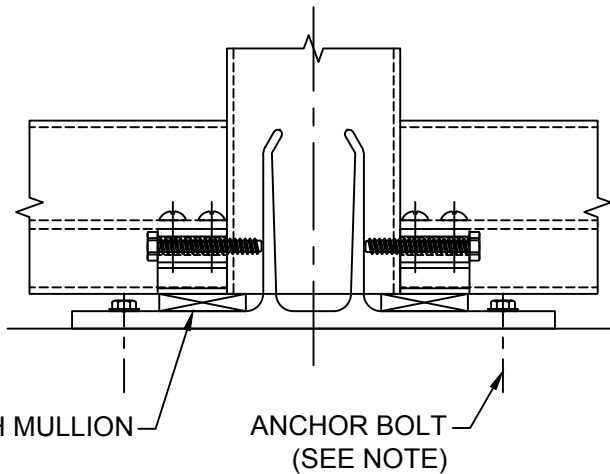
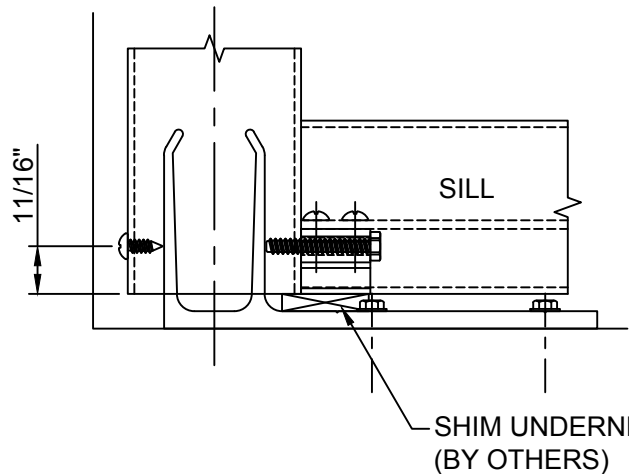
Standard Curtain Wall Steel Anchor - H0042



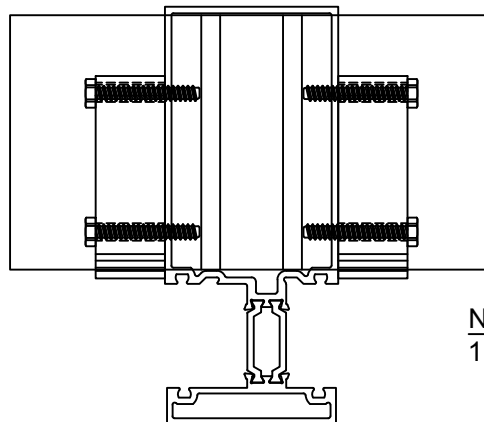
FRONT VIEW



MULLION



PLAN VIEW



"F" ANCHOR CHART	
PART NO.	MULLION
WW-103-05	WW-520
WW-103-06	WW-420
WW-103-07	WW-530
WW-103-08	WW-430

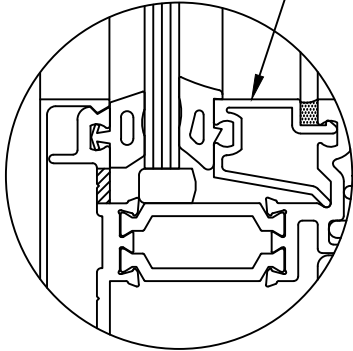
"T" ANCHOR CHART	
PART NO.	MULLION
WW-102-08	WW-504 / WW-520
WW-102-09	WW-404 / WW-420
WW-102-10	WW-530
WW-102-11	WW-430
WW-102-12	WW-243 (90° CORNER, 6" & 7-1/4" SYTEMS)
WW-102-13	WW-234 (135° CORNER, 7-1/4" SYSTEM)
WW-102-14	WW-233 (135° CORNER, 6" SYSTEM)

NOTE:

1. ANCHOR BOLT SIZE AND LOCATION DETERMINED BY STRUCTURAL ENGINEER

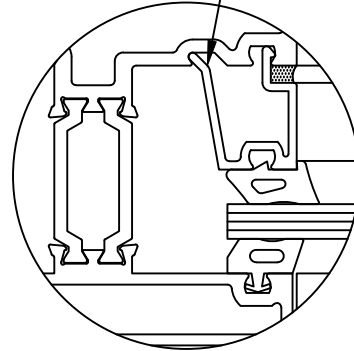
Reliance™-TC IG "F" & "T" Anchors - H8425

WW-145 ADAPTOR, SET IN SEALANT
HP-17 SETTING BLOCK (MODIFIED)



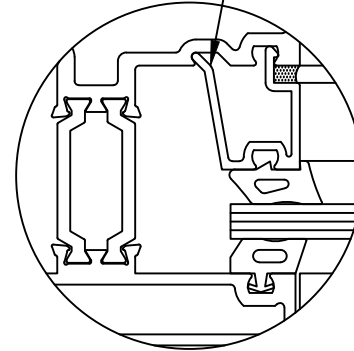
HORIZONTAL

WW-145 ADAPTOR,
SET IN SEALANT



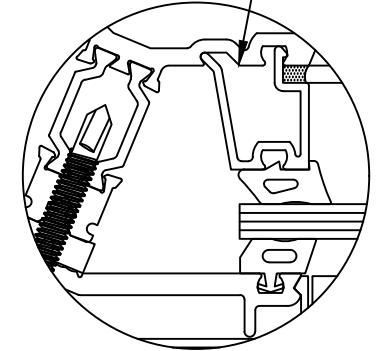
JAMB

WW-145 ADAPTOR,
SET IN SEALANT



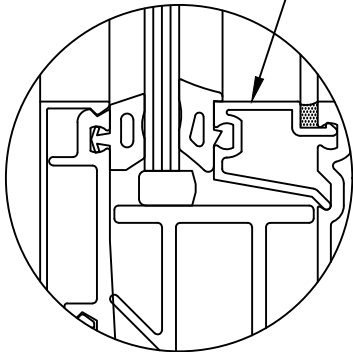
MULLION

WW-145 ADAPTOR,
SET IN SEALANT



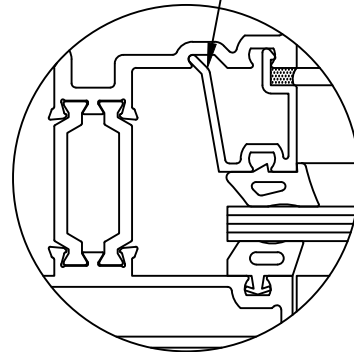
135° OUTSIDE CORNER

WW-145 ADAPTOR, SET IN SEALANT
HP-17 SETTING BLOCK (MODIFIED)



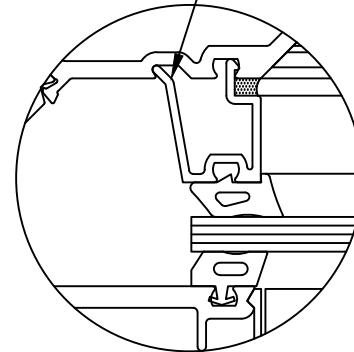
SILL

WW-145 ADAPTOR,
SET IN SEALANT



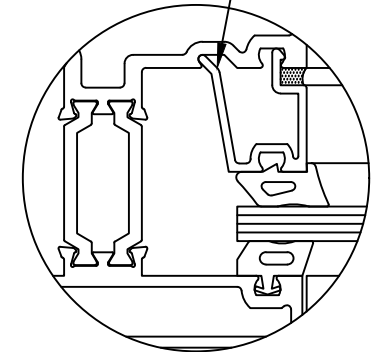
90° INSIDE CORNER

WW-145 ADAPTOR,
SET IN SEALANT



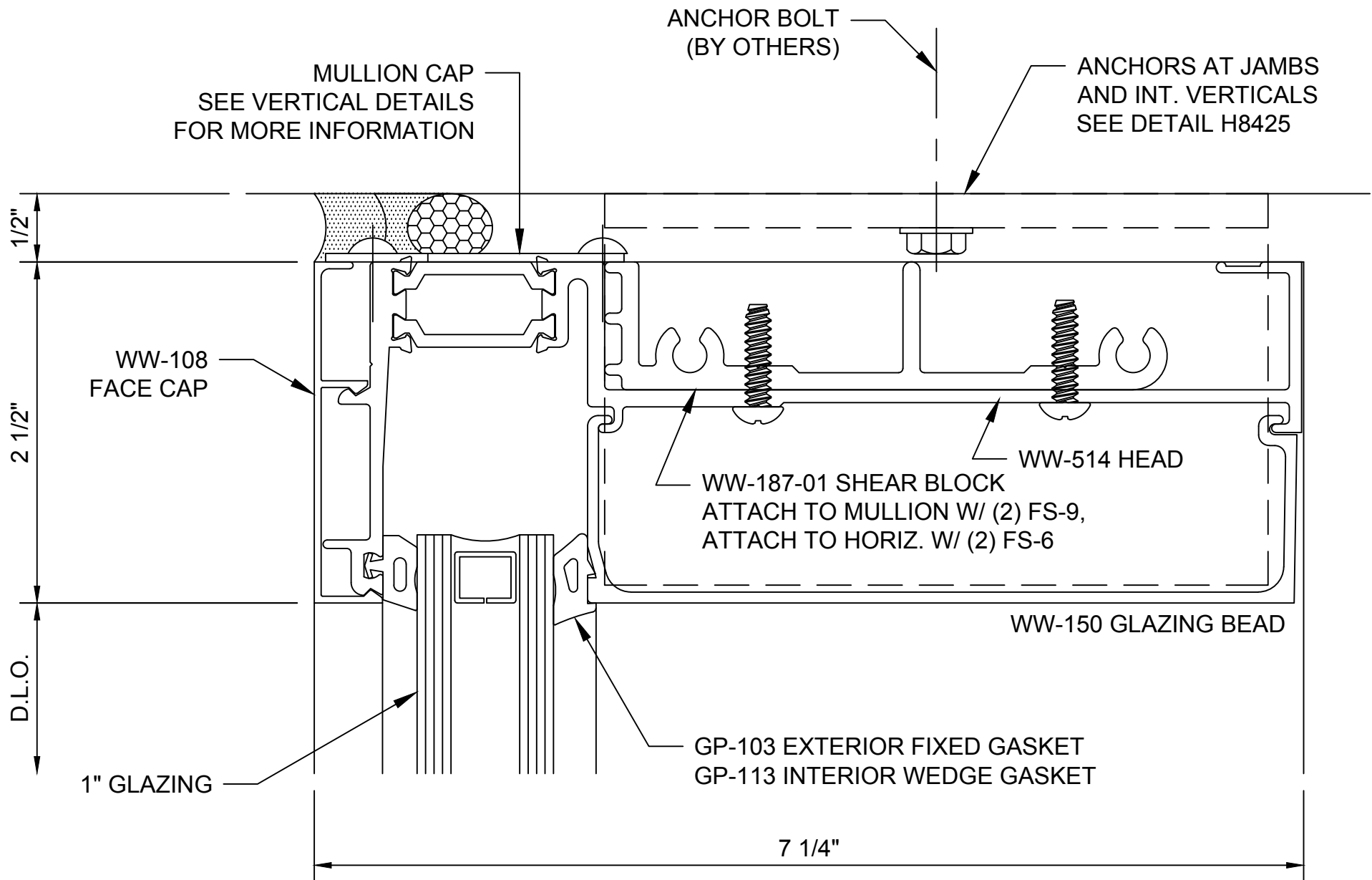
90° OUTSIDE CORNER

WW-145 ADAPTOR,
SET IN SEALANT

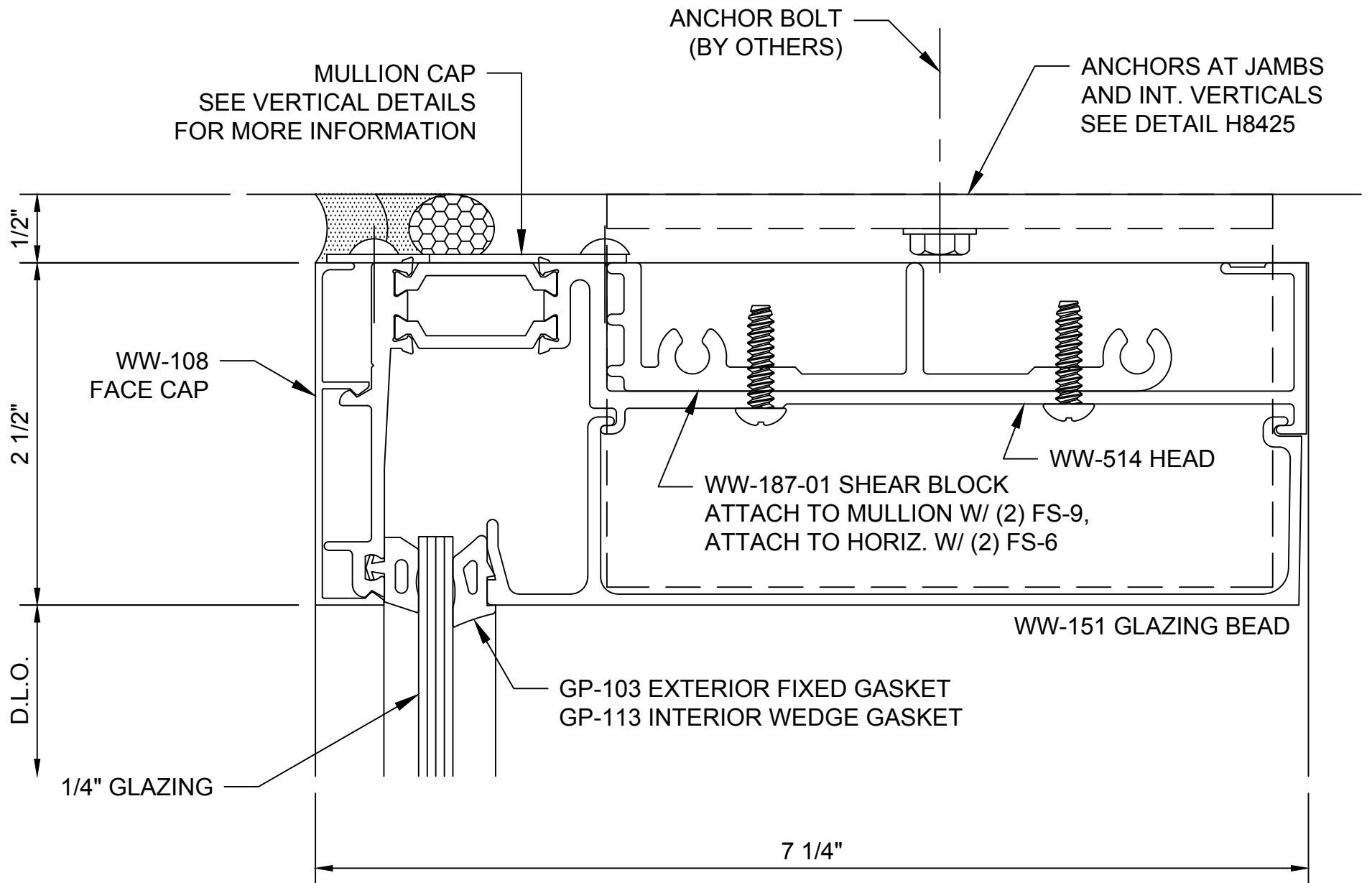


135° INSIDE CORNER

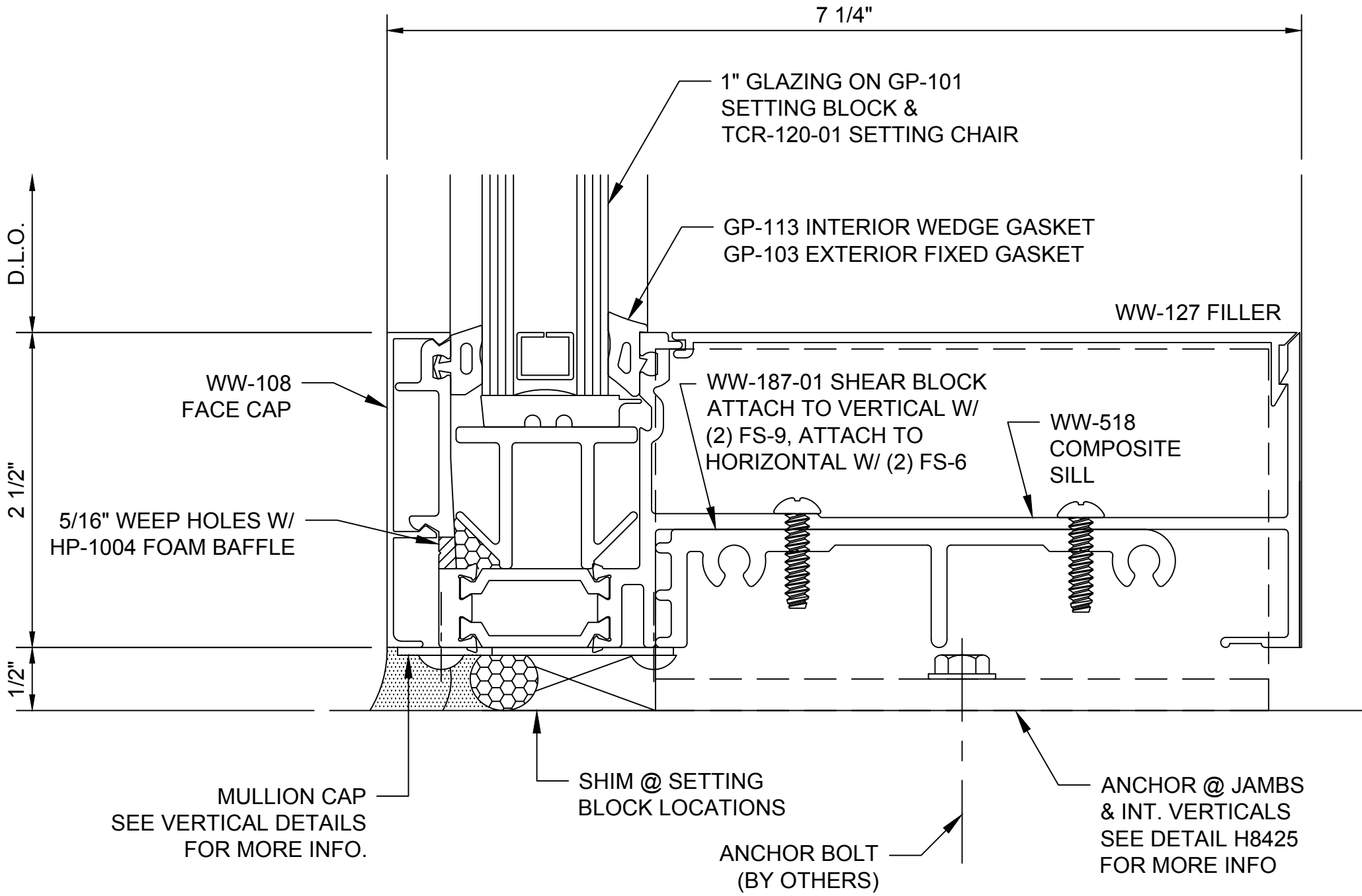
Reliance™-TC IG
Adaptors for 1/4" Glazing - H8499



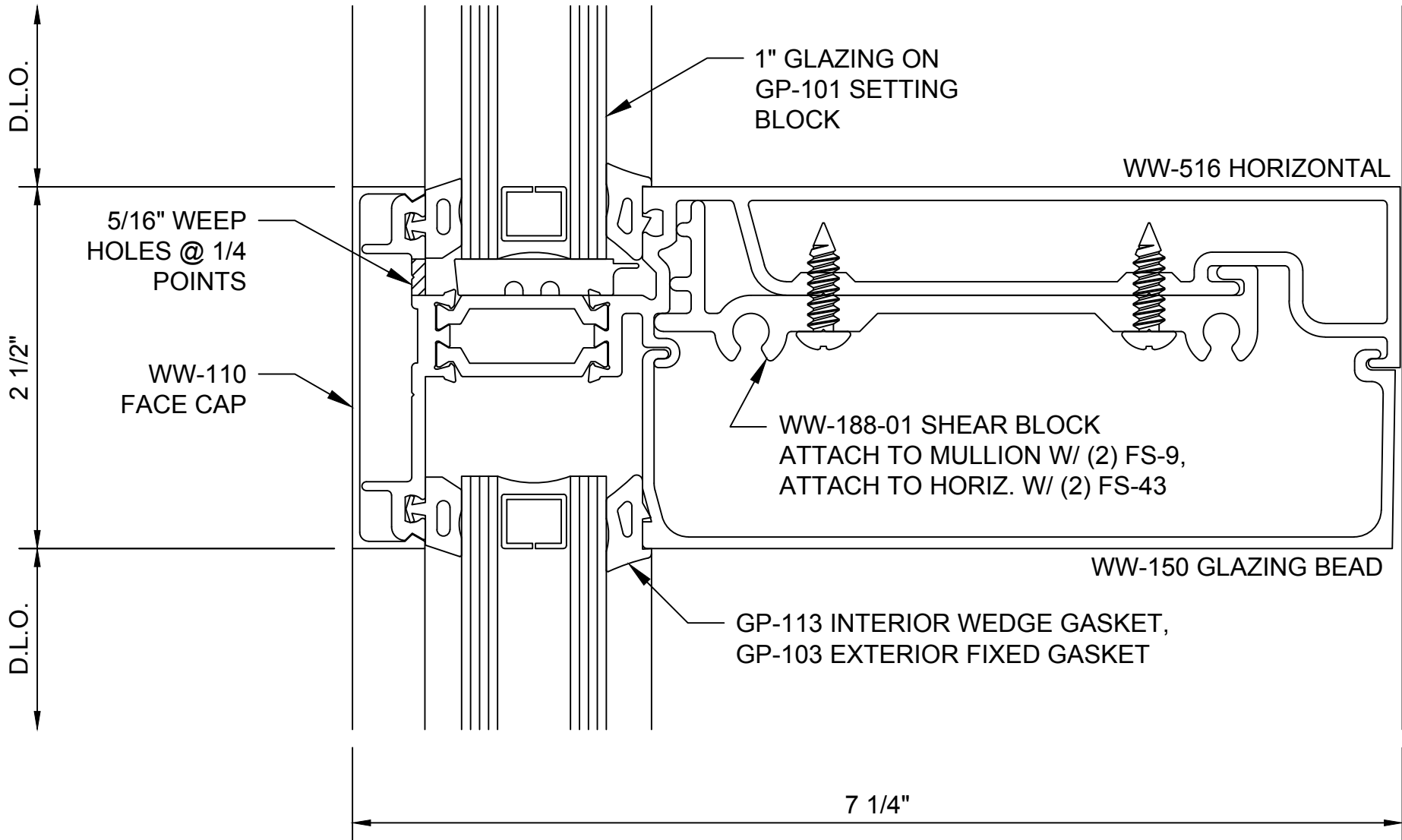
Reliance™-TC IG
Head at Vision - H8401



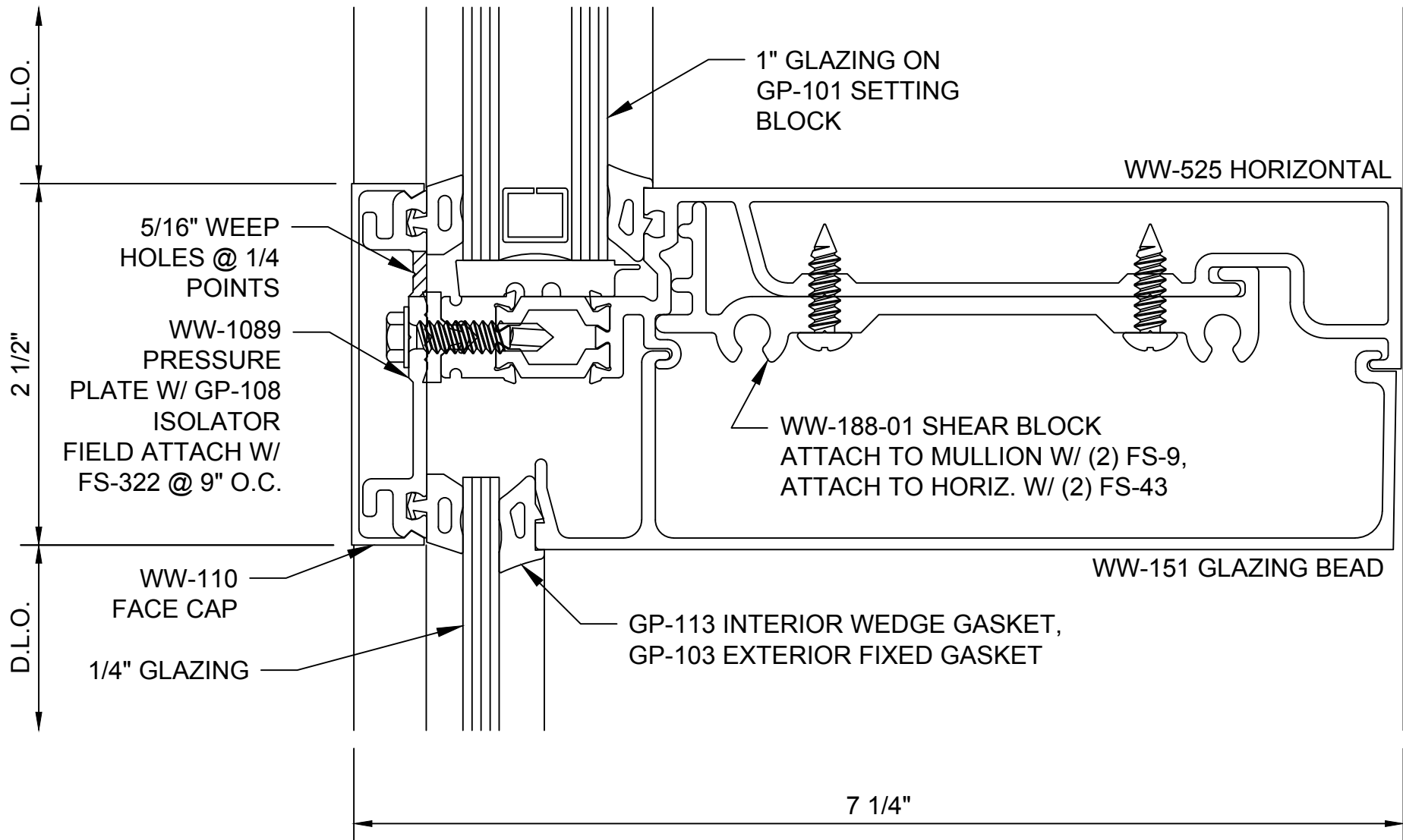
Reliance™-TC IG
Head at Spandrel - H8402



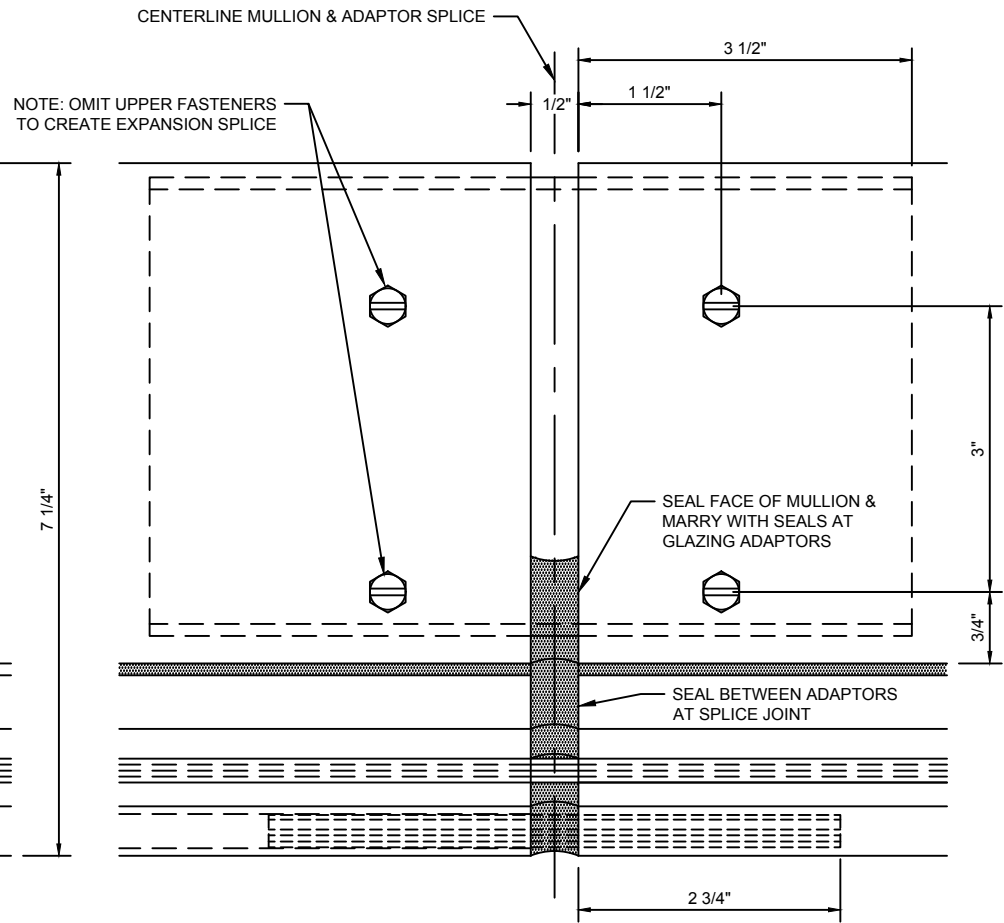
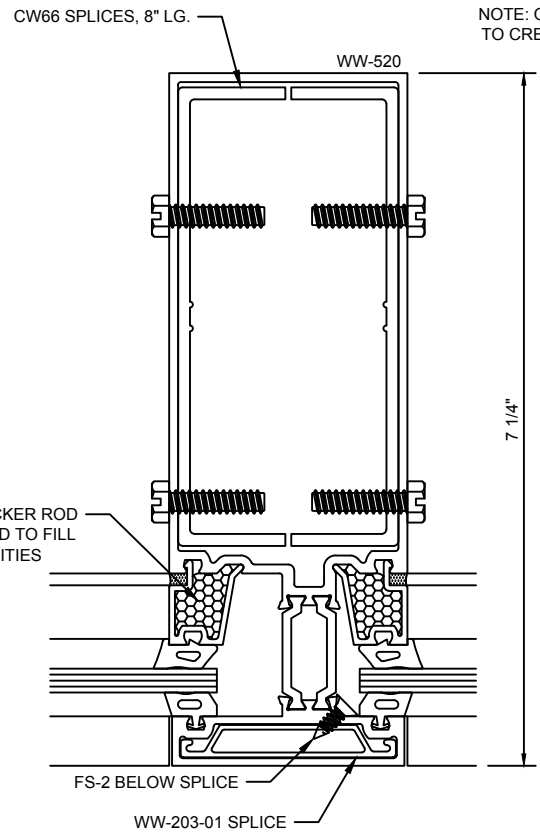
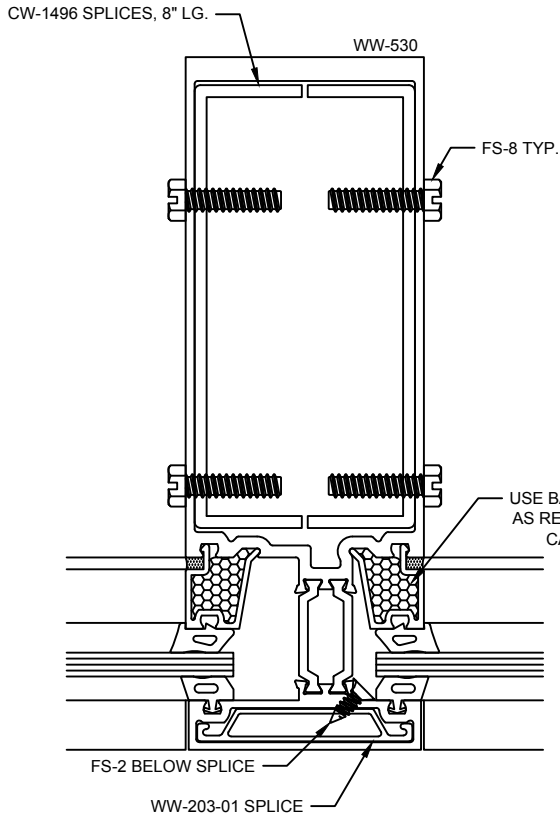
Reliance™-TC IG
Sill Horizontal - H8404



Reliance™-TC IG
Intermediate Horizontal - H8405



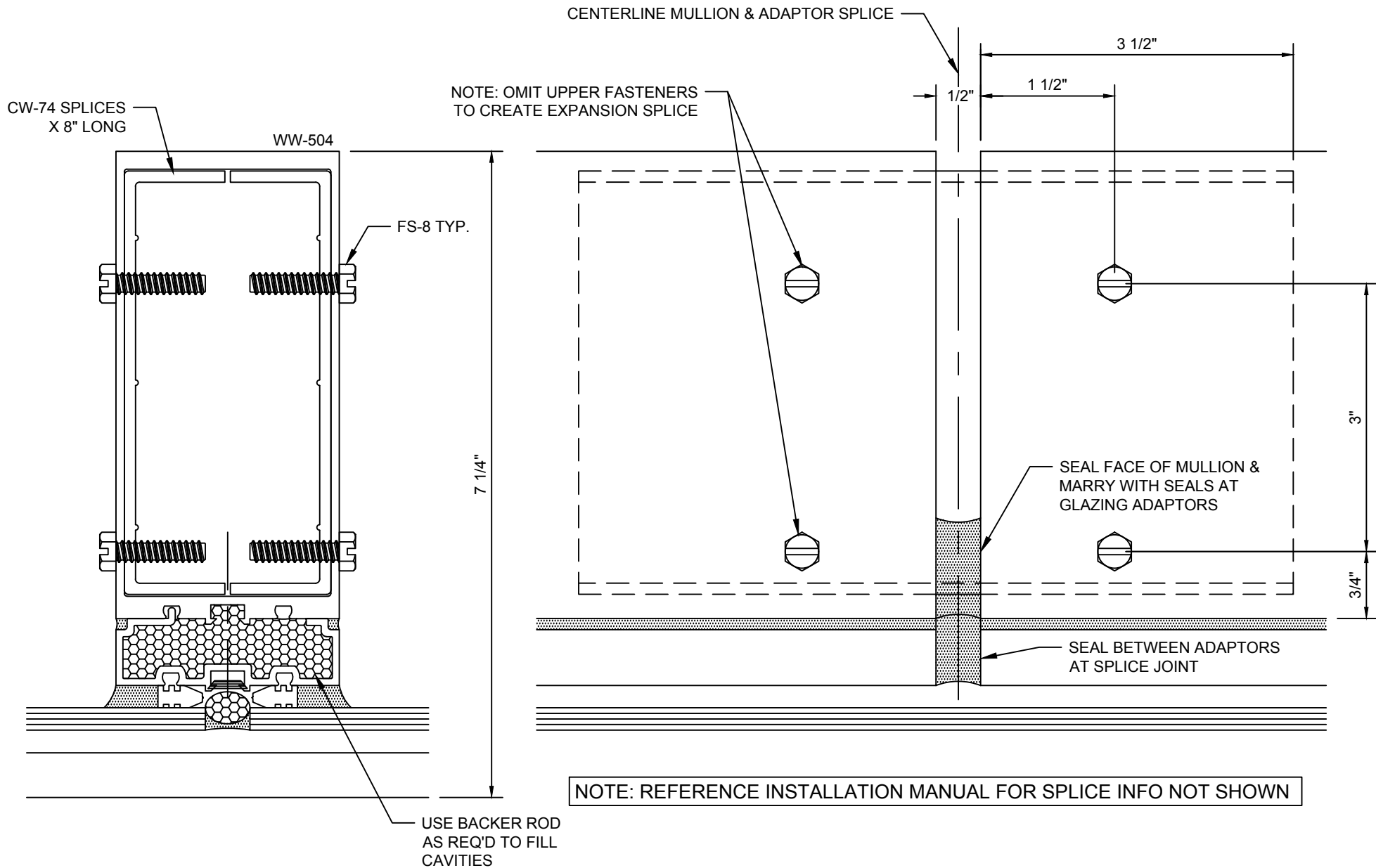
Reliance™-TC IG
Intermediate Horizontal at Vision over Spandrel - H8411



NOTE: REFERENCE INSTALLATION MANUAL FOR SPLICE INFO NOT SHOWN

Reliance™-TC IG

Mullion Splice - Captured Vertical - H8414



Reliance™-TC IG
Mullion Splice - SSG Vertical - H8415

ZERO SIGHTLINE OPERABLE WINDOW.
REFER TO www.obe.com/products/architectural-windows FOR THE MOST CURRENT AVAILABLE VENT OPTIONS.

WW-128 POCKET FILLER

GP-113 WEDGE GASKET

WW-516 HORIZONTAL

5/16" WEEP HOLES @ 1/4 POINTS

WW-110 FACE CAP

WW-188-01 SHEAR BLOCK
ATTACH TO MULLION W/ (2) FS-9,
ATTACH TO HORIZ. W/ (2) FS-43

WW-150 GLAZING BEAD

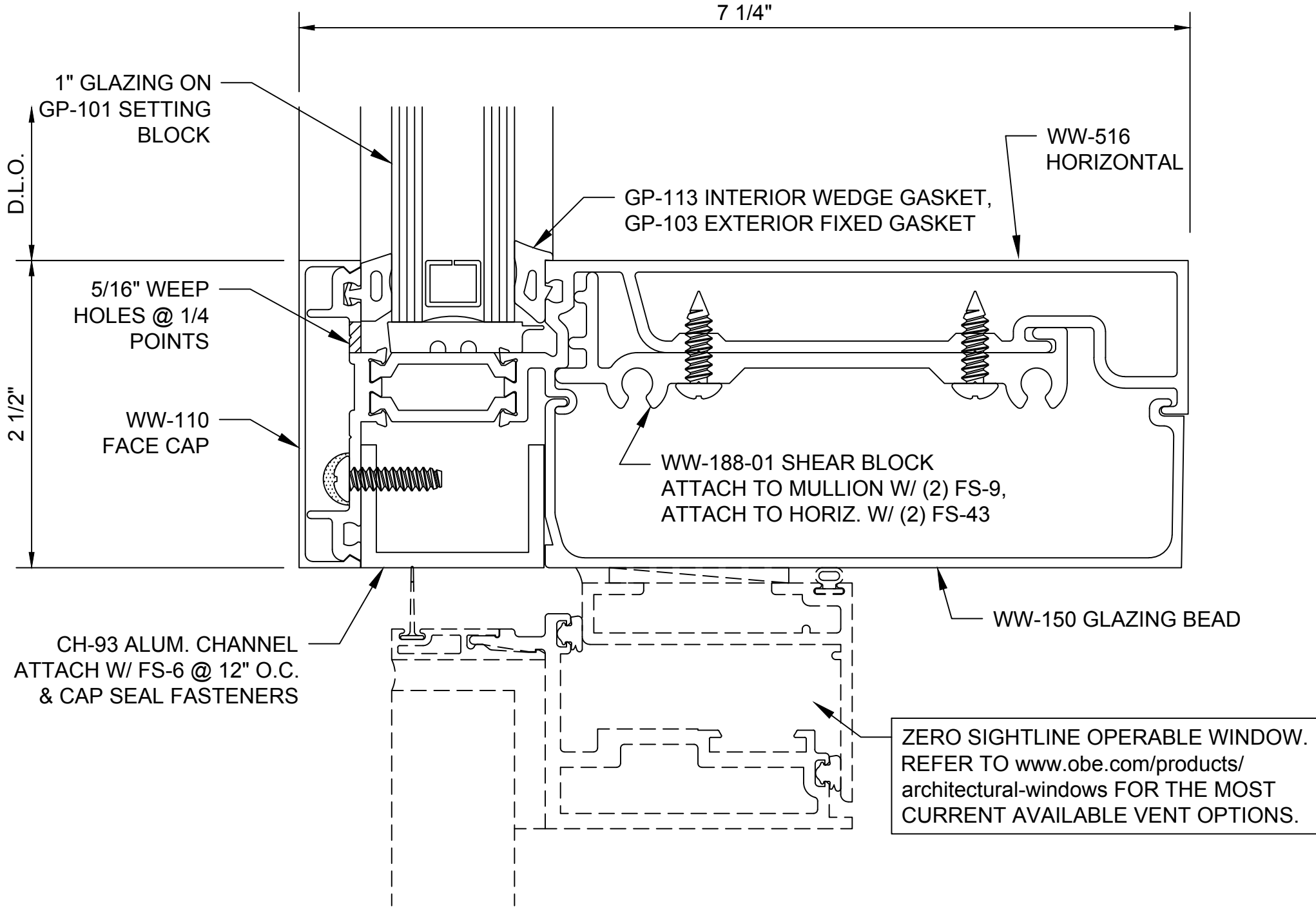
GP-113 INTERIOR WEDGE GASKET,
GP-103 EXTERIOR FIXED GASKET

2 1/2"

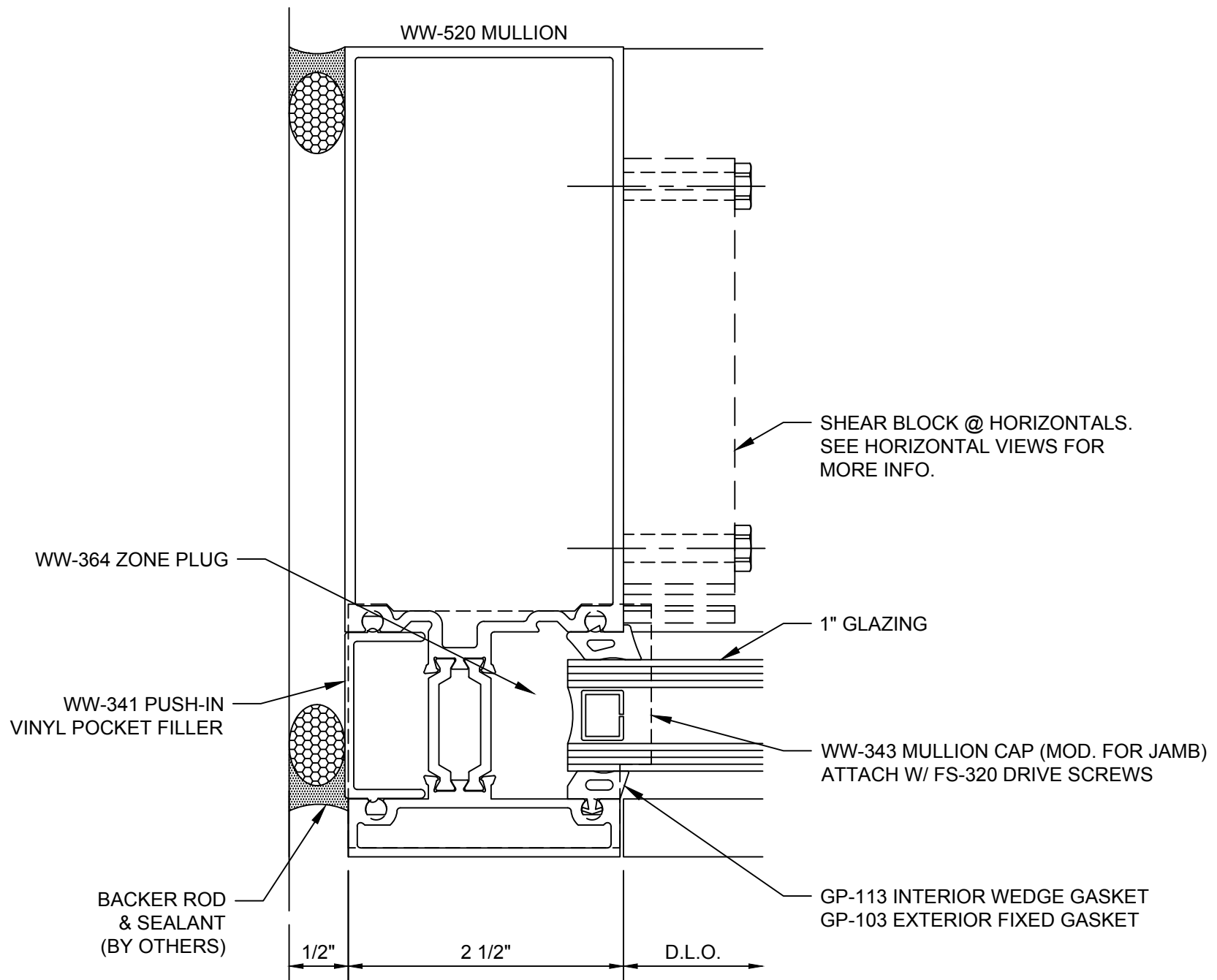
D.L.O.

7 1/4"

Reliance™-TC IG
Horizontal at Operable Window - H8494

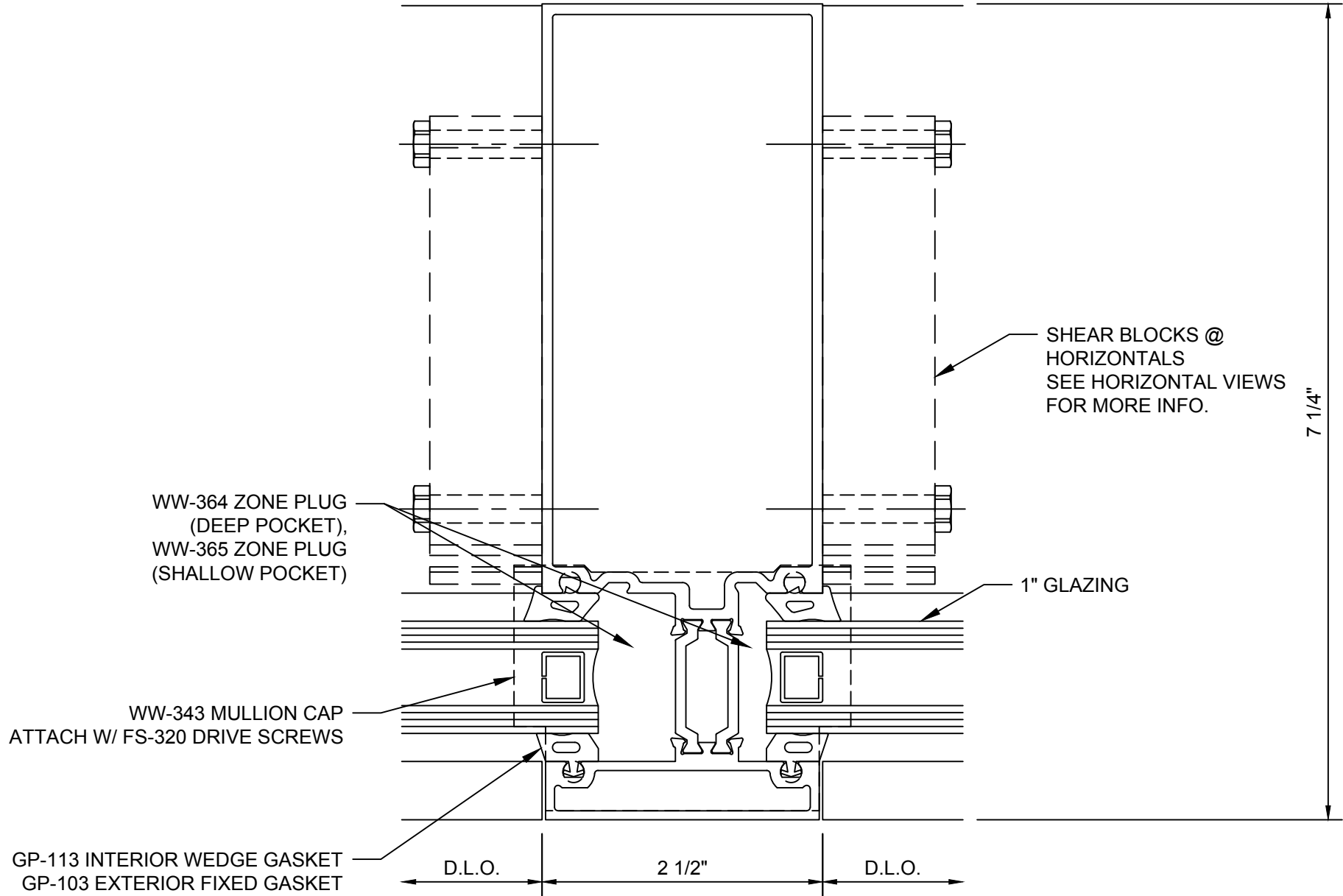


Reliance™-TC IG
Horizontal at Operable Window - H8496



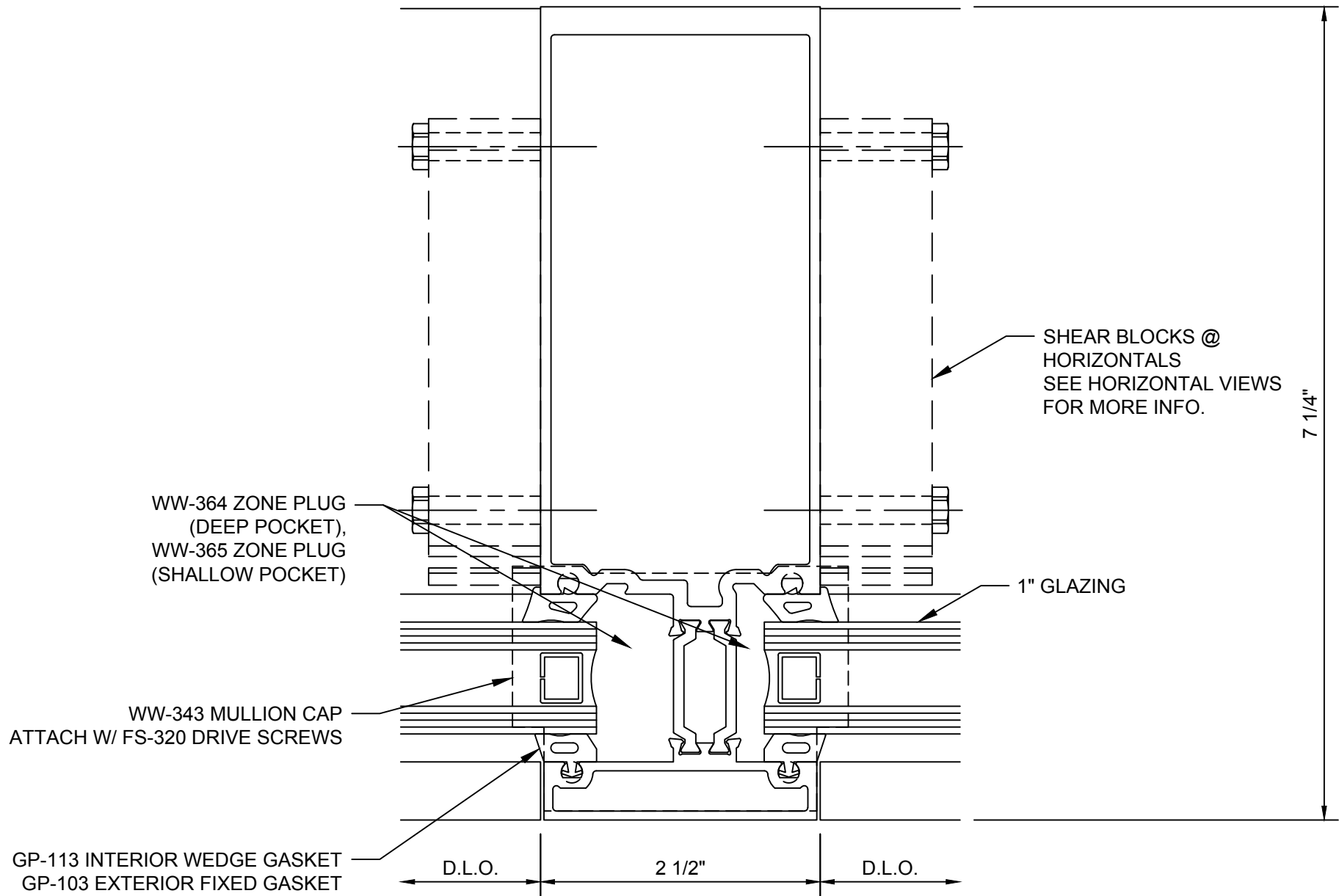
Reliance™-TC IG
Jamb Vertical - V8401

WW-520 MULLION

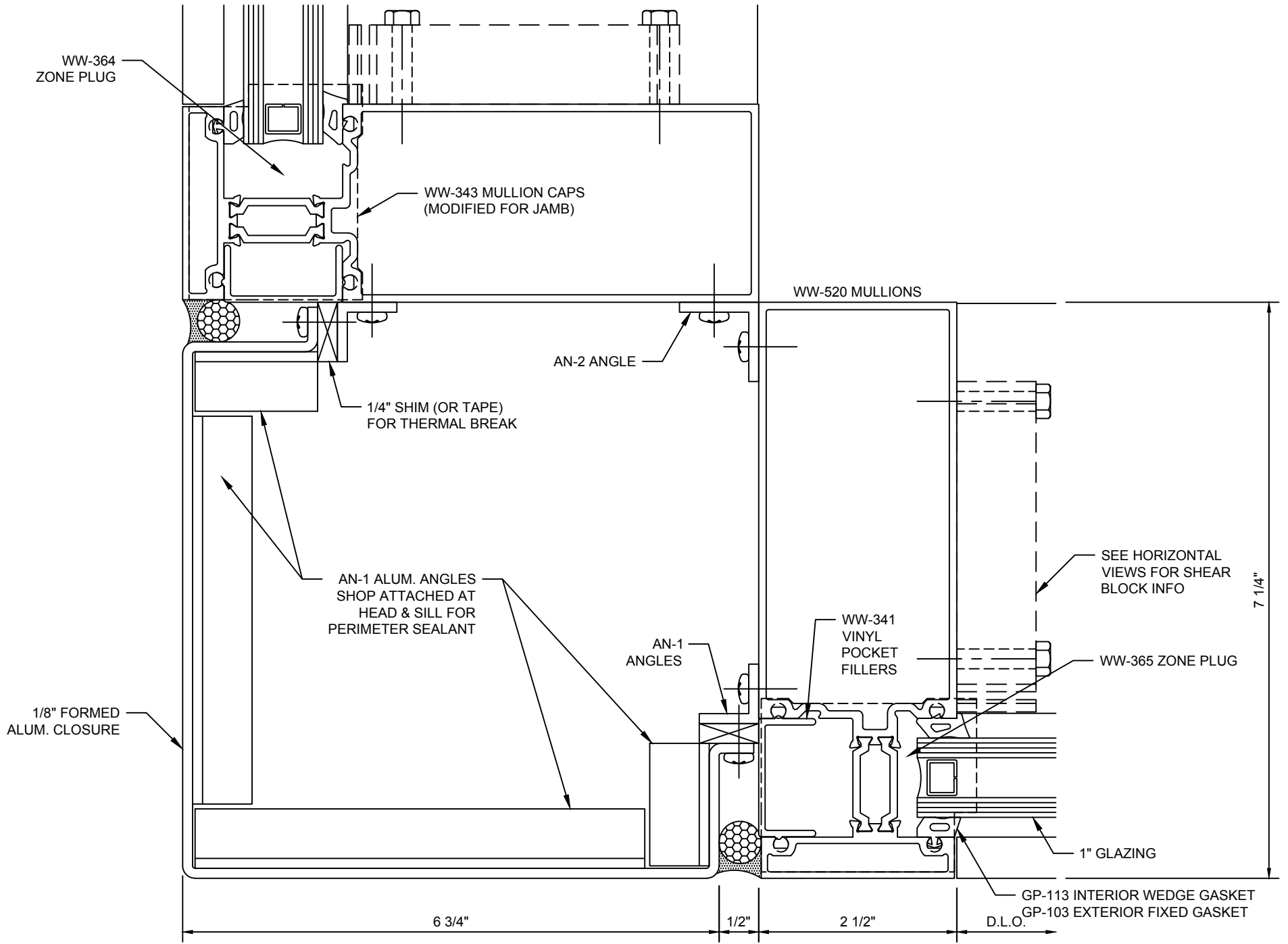


Reliance™-TC IG
Vertical Mullion - V8402

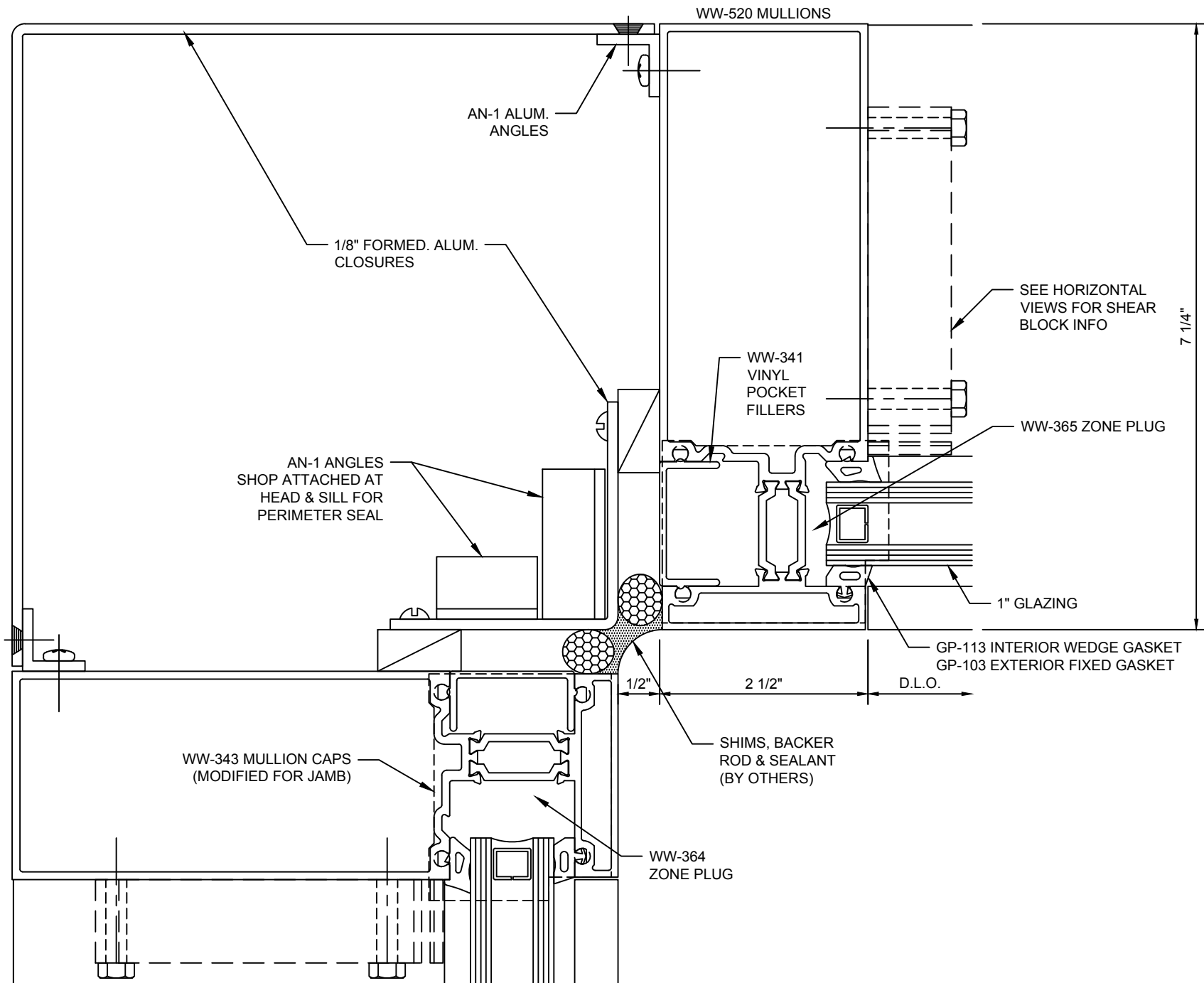
WW-530 MULLION



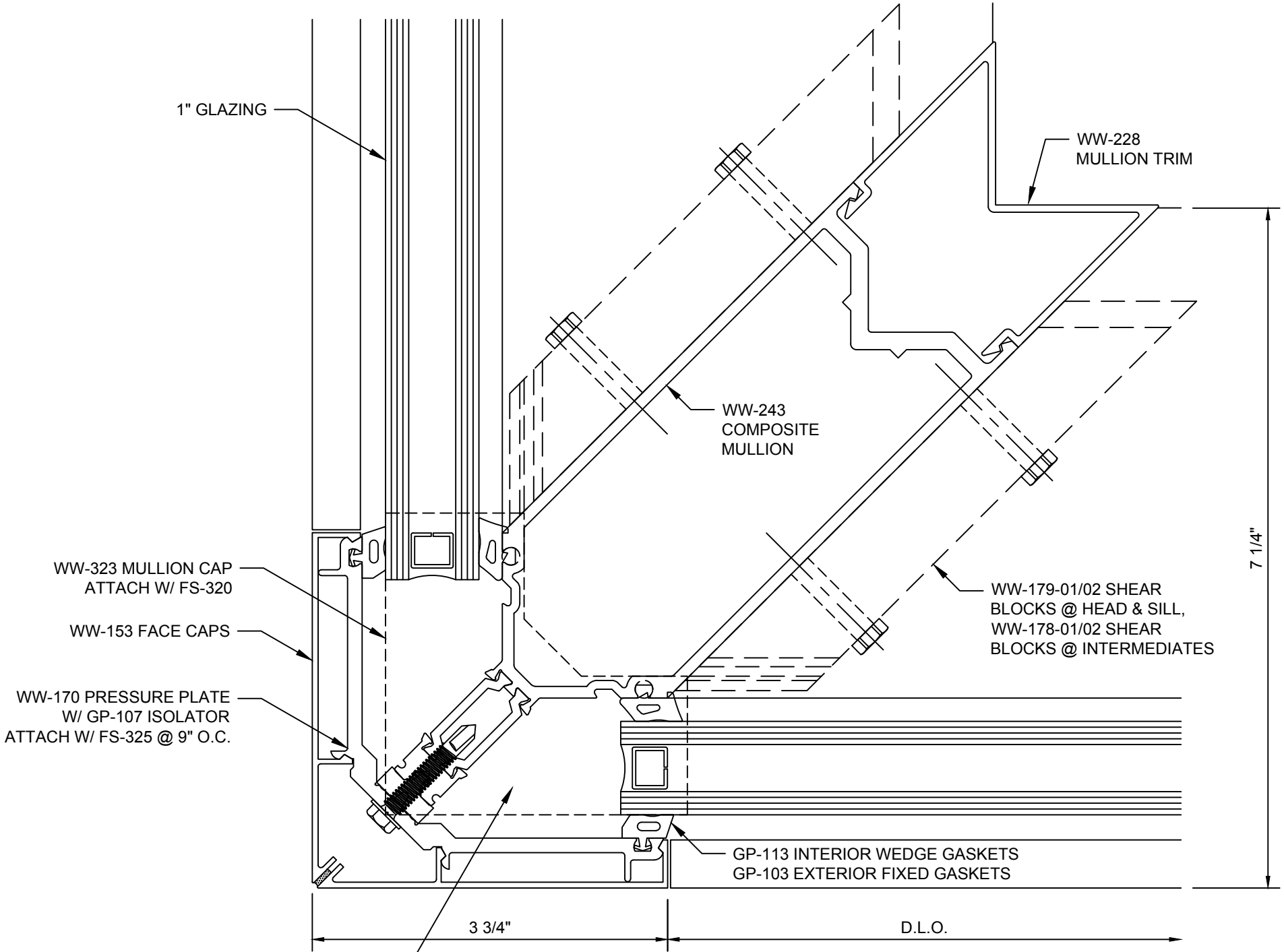
Reliance™-TC IG
Heavy Vertical Mullion - V8405



Reliance™-TC IG
90° Outside Corner - V8415



Reliance™-TC IG
90° Inside Corner - V8417



1" GLAZING

WW-323 MULLION CAP
ATTACH W/ FS-320

WW-153 FACE CAPS

WW-170 PRESSURE PLATE
W/ GP-107 ISOLATOR
ATTACH W/ FS-325 @ 9" O.C.

WW-228
MULLION TRIM

WW-243
COMPOSITE
MULLION

WW-179-01/02 SHEAR
BLOCKS @ HEAD & SILL,
WW-178-01/02 SHEAR
BLOCKS @ INTERMEDIATES

GP-113 INTERIOR WEDGE GASKETS
GP-103 EXTERIOR FIXED GASKETS

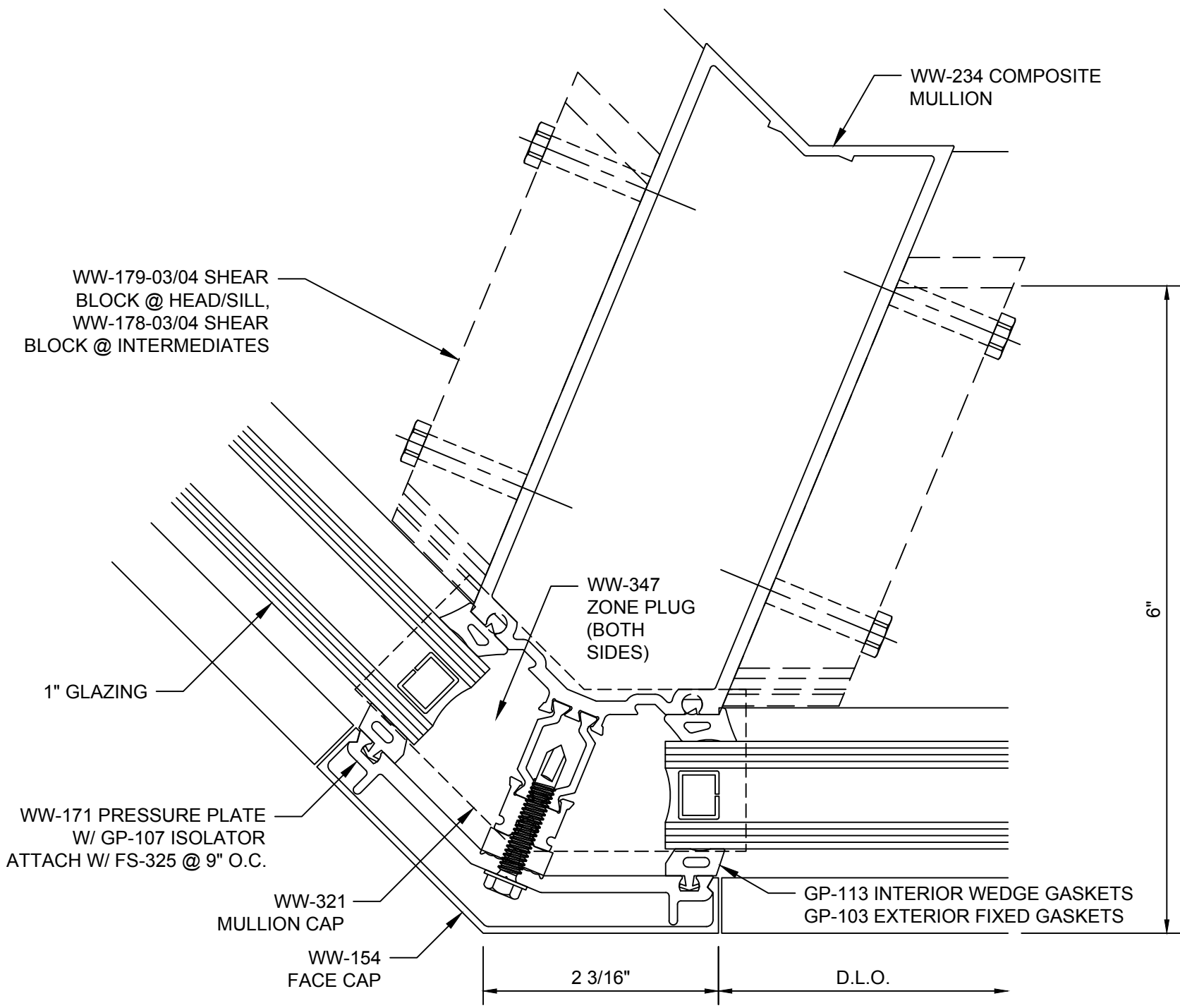
WW-346 ZONE PLUG
(BOTH SIDES)

7 1/4"

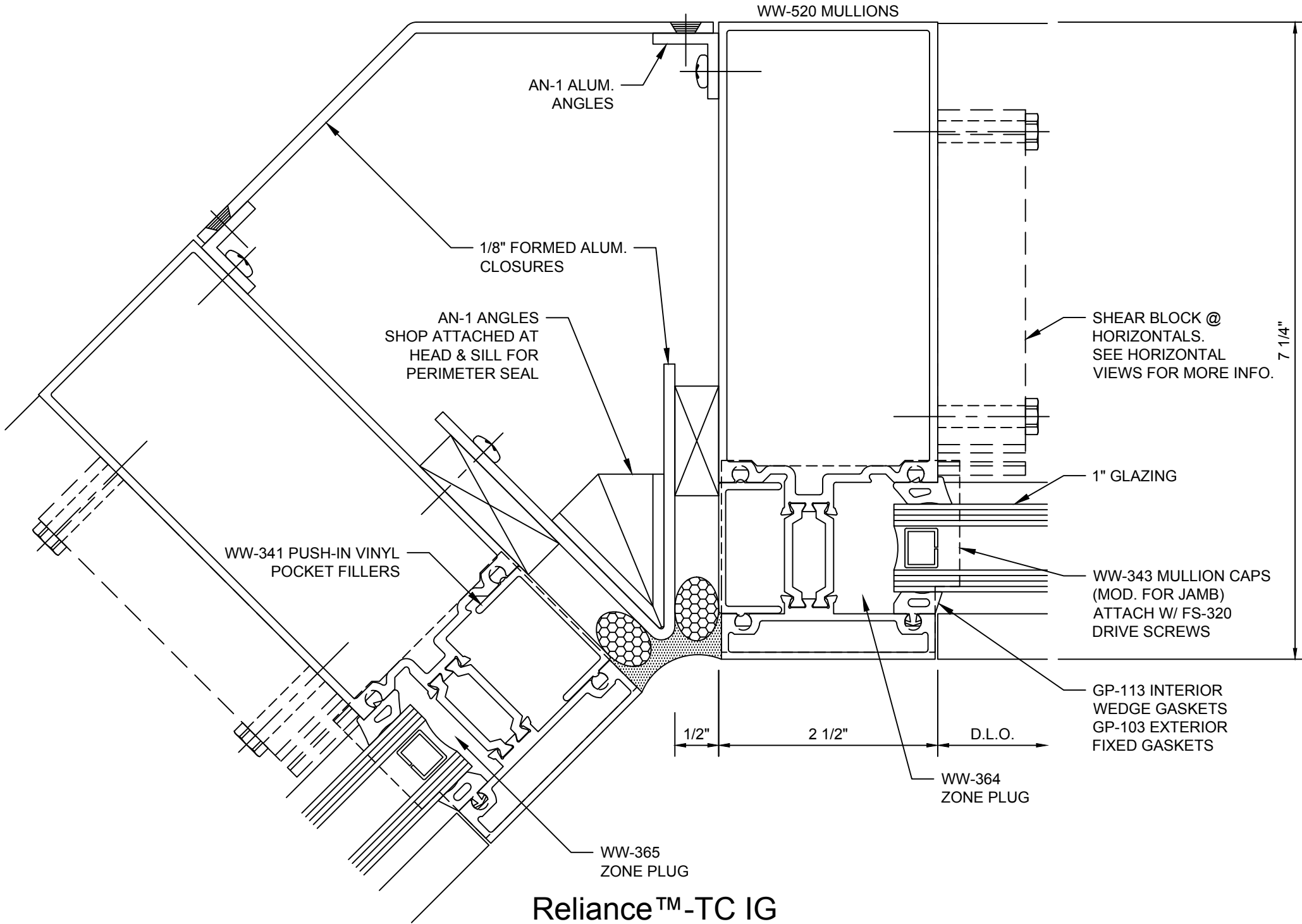
3 3/4"

D.L.O.

Reliance™-TC IG
90° Outside Corner - V8421

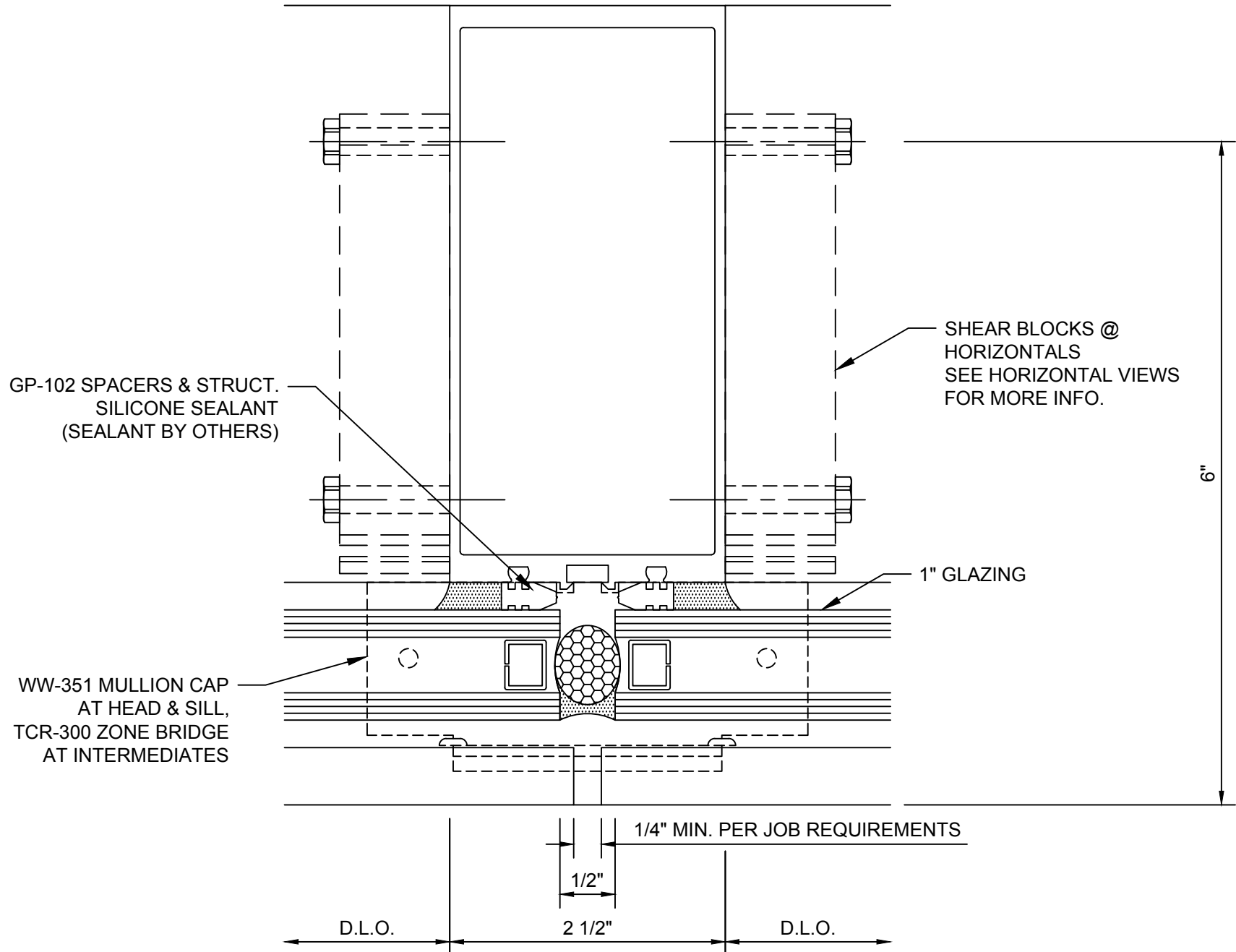


Reliance™-TC IG
135° Outside Corner - V8423



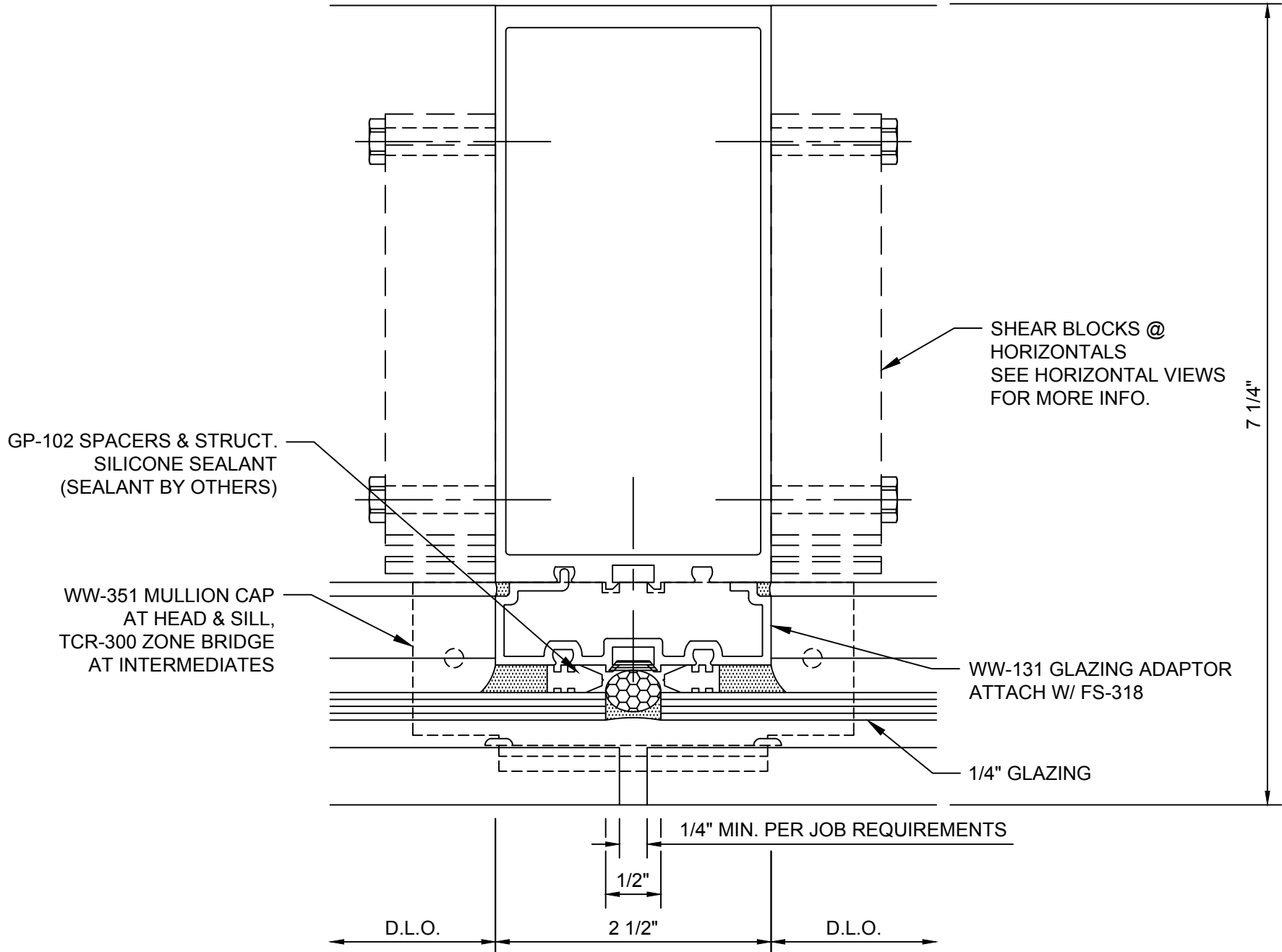
Reliance™-TC IG
135° Inside Corner - V8427

WW-504 MULLION



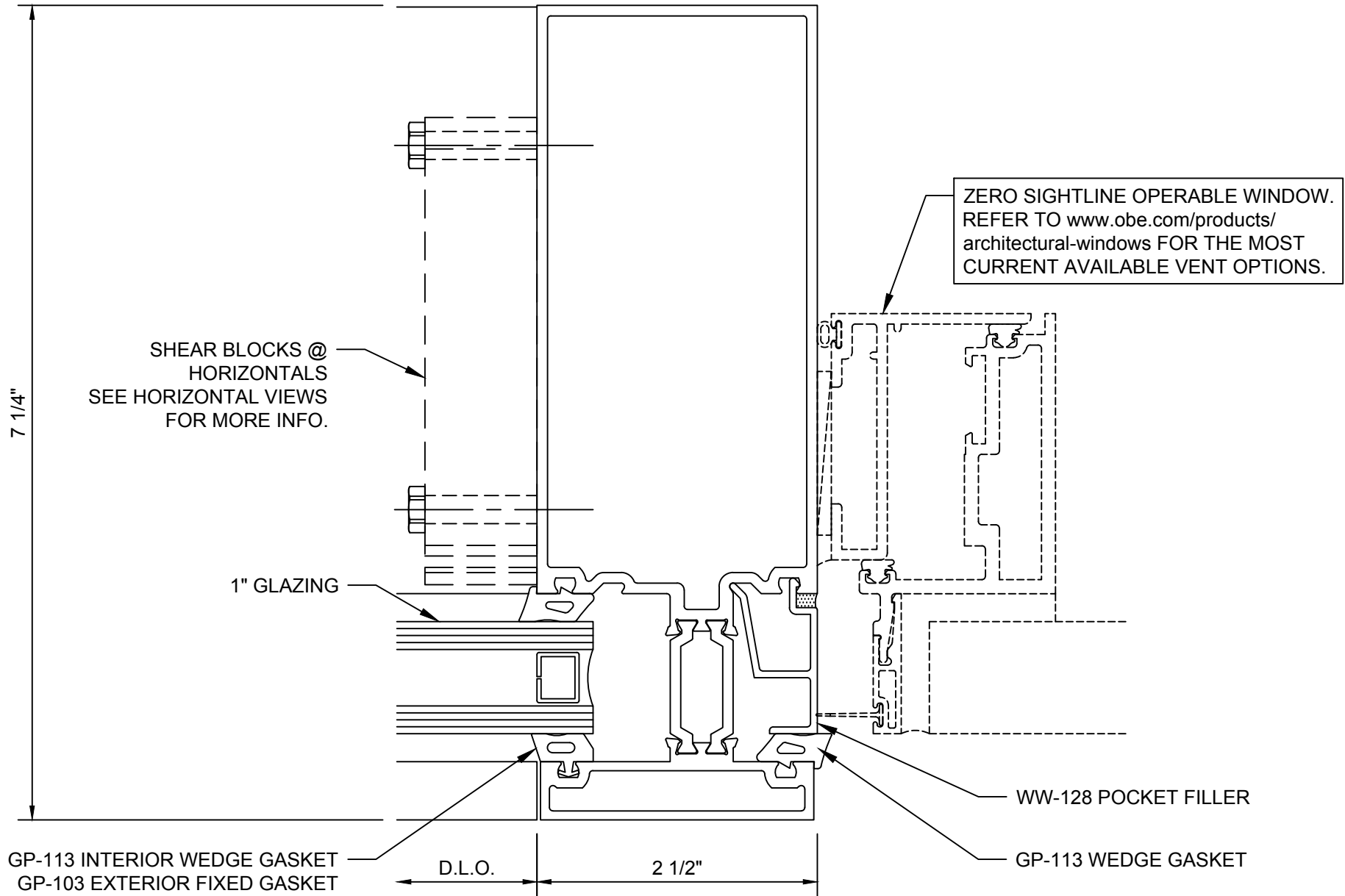
Reliance™-TC IG
SSG Vertical Mullion - V8452

WW-504 MULLION



Reliance™-TC IG
SSG Vertical Mullion at Spandrel - V8457

WW-520 MULLION



Reliance™-TC IG
Vertical Mullion at Operable Window - V8492