

Oldcastle BuildingEnvelope®

1-866-Oldcastle (653-2278) - www.obe.com

RELIANCE™-TC IG CURTAIN WALL Thermal Composite, Inside Glazed / 2-1/2" X 6" w/ 1" Infill (typ.)

(Drawing numbers---i.e., H8501---used as CAD detail reference only)

Elev_Rcw-TCIG_600

H0042 - Steel Anchoring

H8425 - 'F' & 'T' Mullion Anchoring

H8499 - 1/4" Glazing Adaptors

H8501 - Head Horizontal

H8502 - Head Horizontal - 1/4" Glazing

H8504 - Sill Horizontal

H8505 - Typical Horizontal

H8511 - Outside Glazed Horizontal - 1/4" Glazing

H8514 - Mullion Splice - Typical

H8515 - Mullion Splice - SSG

H8594 - Horizontal at Operable Window - Bottom

H8596 - Horizontal at Operable Window - Top

V8501 - Jamb Vertical

V8502 - Typical Vertical

V8505 - Heavy Vertical

V8515 - 90° Outside Corner - 2 Mullion

V8517 - 90° Inside Corner - 2 Mullion

V8521 - 90° Outside Corner - Single

V8523 - 135° Outside Corner - Single

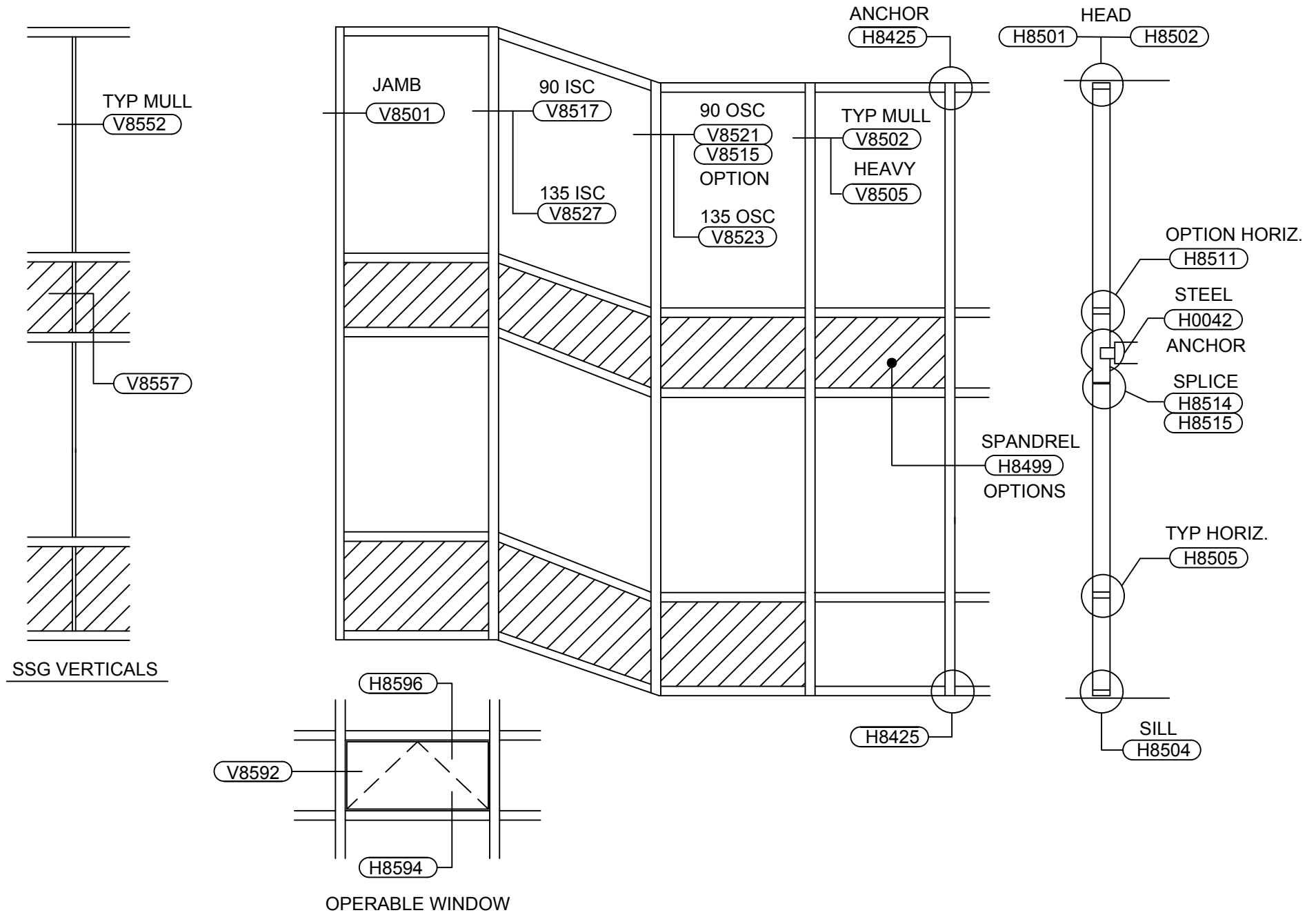
V8527 - 135° Inside Corner - 2 Mullion

V8552 - SSG Vertical

V8557 - SSG Vertical - 1/4" Glazing

V8592 - Vertical at Operable Window

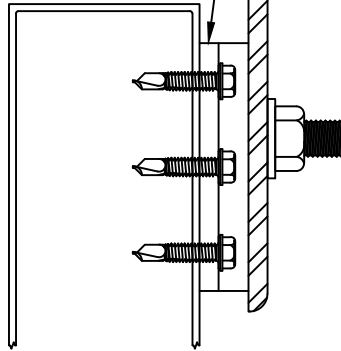
Table of Contents



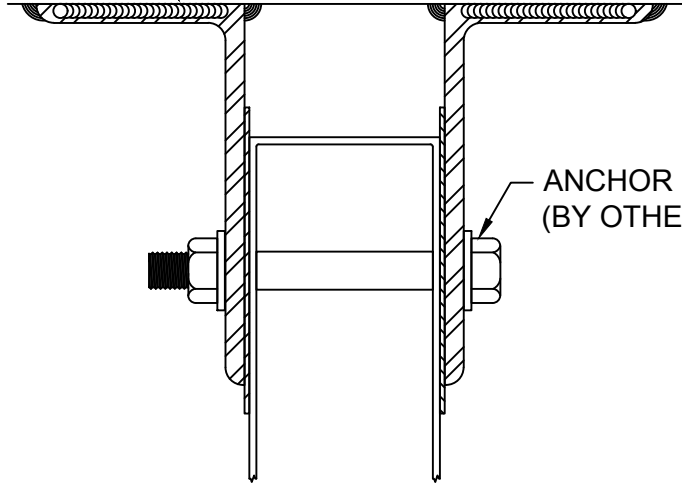
Reliance™-TC IG - Thermal Composite Inside Glazed Curtain Wall
2-1/2" x 6" w/ 1" Glazing - Elevation

WELD AS REQUIRED BY INSTALLER

FLOOR SLAB OR BEAM
WW-2223 JAMB ANCHOR PLATE
ATTACH W/ (6) FS-336 (1/4"-20 X
1-1/8" HWH DRILL FLEX)

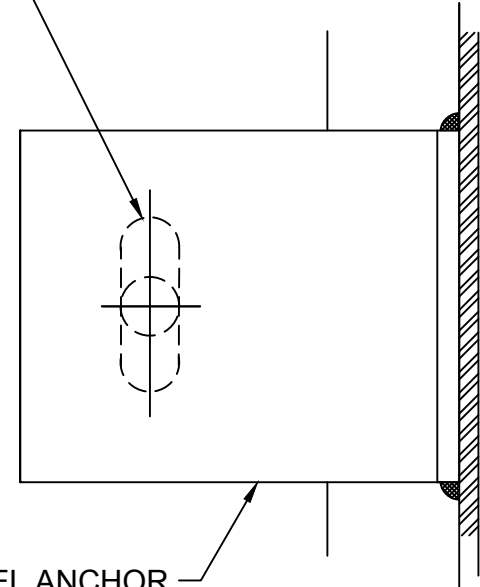


Plan View
Jamb Option



Plan View
Intermediate Mullion

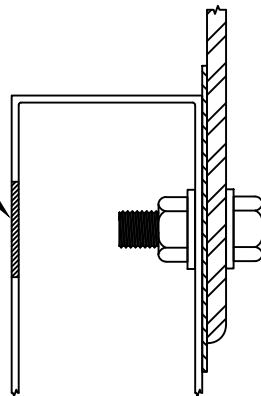
HOLE IN ANCHOR @ DEAD LOAD
SLOT IN ANCHOR @ WIND LOAD



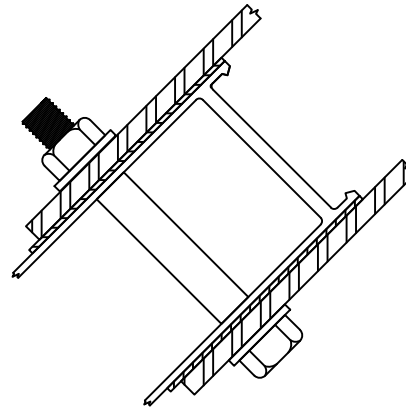
Side View

STEEL ANCHOR
DESIGN DETERMINED
BY ENGINEER. SEE
APPROVED SHOP
DRAWINGS.

ACCESS HOLE

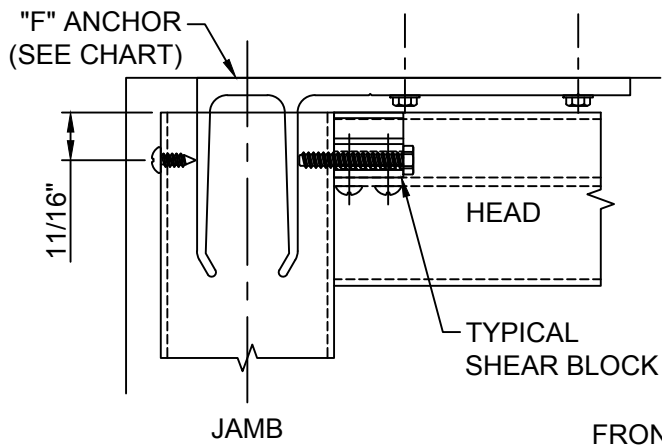


Plan View
Jamb Option

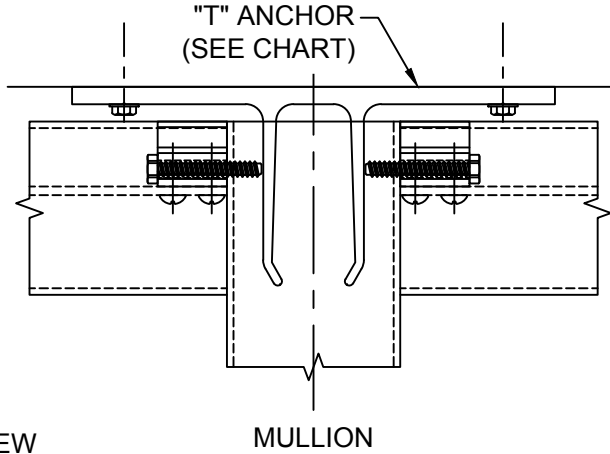


Plan View
Single Mull Corners

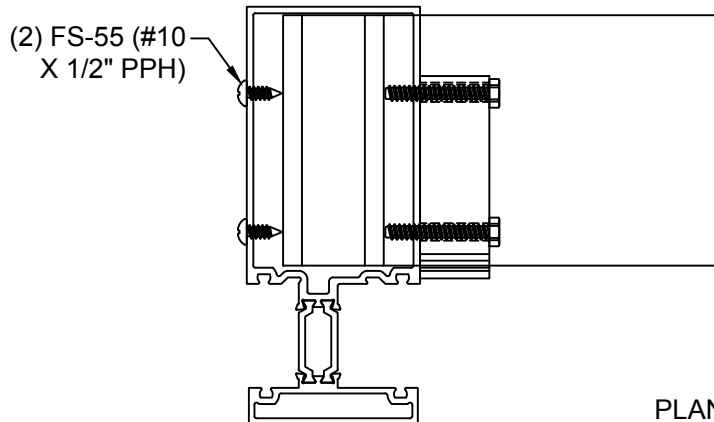
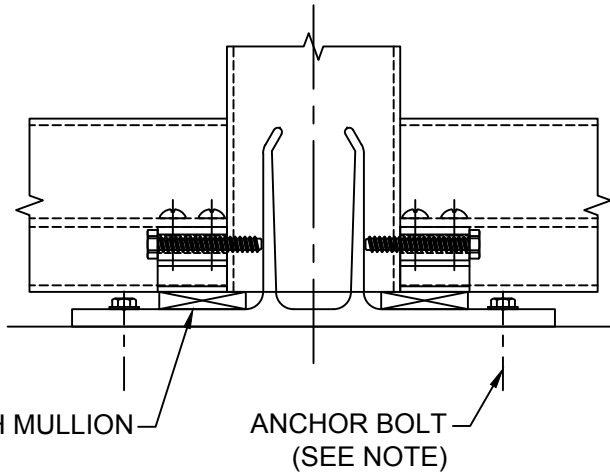
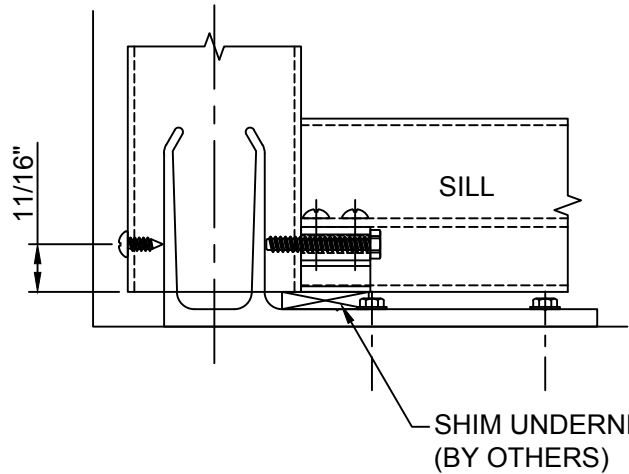
Standard Curtain Wall Steel Anchor - H0042



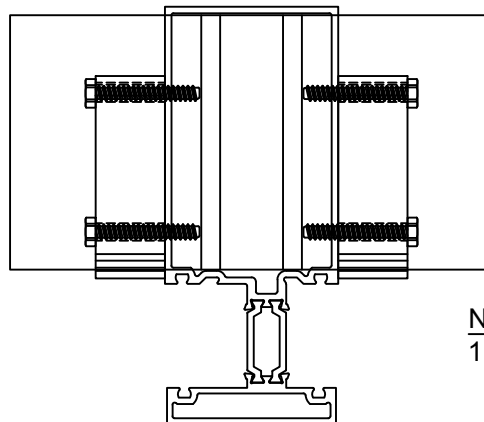
FRONT VIEW



MULLION



PLAN VIEW



"F" ANCHOR CHART	
PART NO.	MULLION
WW-103-05	WW-520
WW-103-06	WW-420
WW-103-07	WW-530
WW-103-08	WW-430

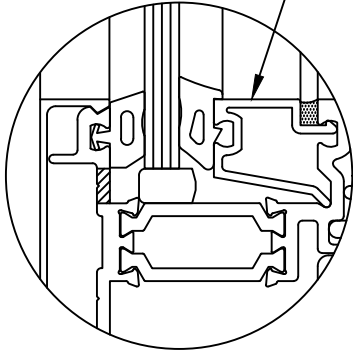
"T" ANCHOR CHART	
PART NO.	MULLION
WW-102-08	WW-504 / WW-520
WW-102-09	WW-404 / WW-420
WW-102-10	WW-530
WW-102-11	WW-430
WW-102-12	WW-243 (90° CORNER, 6" & 7-1/4" SYTEMS)
WW-102-13	WW-234 (135° CORNER, 7-1/4" SYSTEM)
WW-102-14	WW-233 (135° CORNER, 6" SYSTEM)

NOTE:

1. ANCHOR BOLT SIZE AND LOCATION DETERMINED BY STRUCTURAL ENGINEER

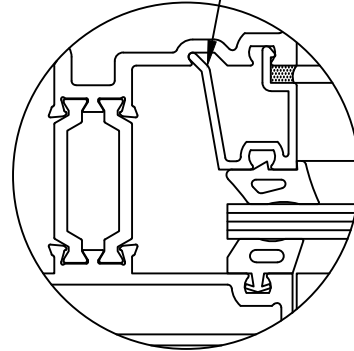
Reliance™-TC IG "F" & "T" Anchors - H8425

WW-145 ADAPTOR, SET IN SEALANT
HP-17 SETTING BLOCK (MODIFIED)



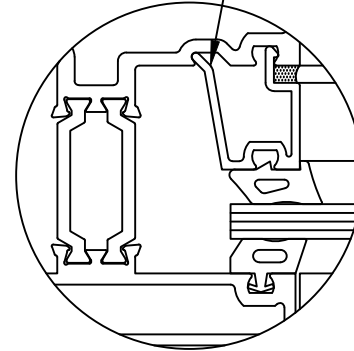
HORIZONTAL

WW-145 ADAPTOR,
SET IN SEALANT



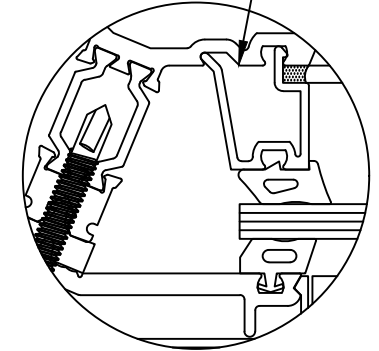
JAMB

WW-145 ADAPTOR,
SET IN SEALANT



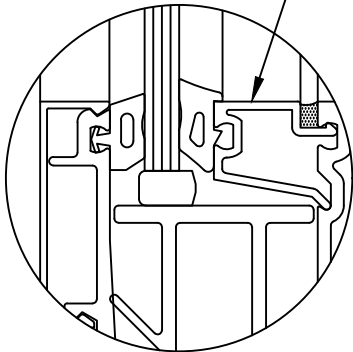
MULLION

WW-145 ADAPTOR,
SET IN SEALANT



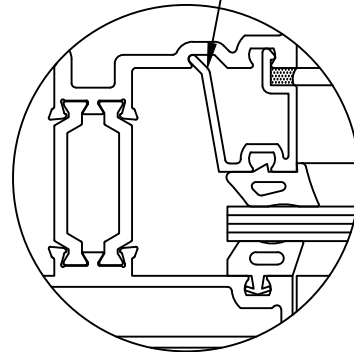
135° OUTSIDE CORNER

WW-145 ADAPTOR, SET IN SEALANT
HP-17 SETTING BLOCK (MODIFIED)



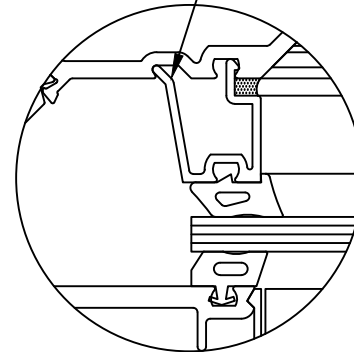
SILL

WW-145 ADAPTOR,
SET IN SEALANT



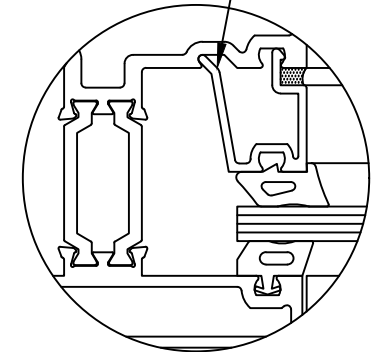
90° INSIDE CORNER

WW-145 ADAPTOR,
SET IN SEALANT



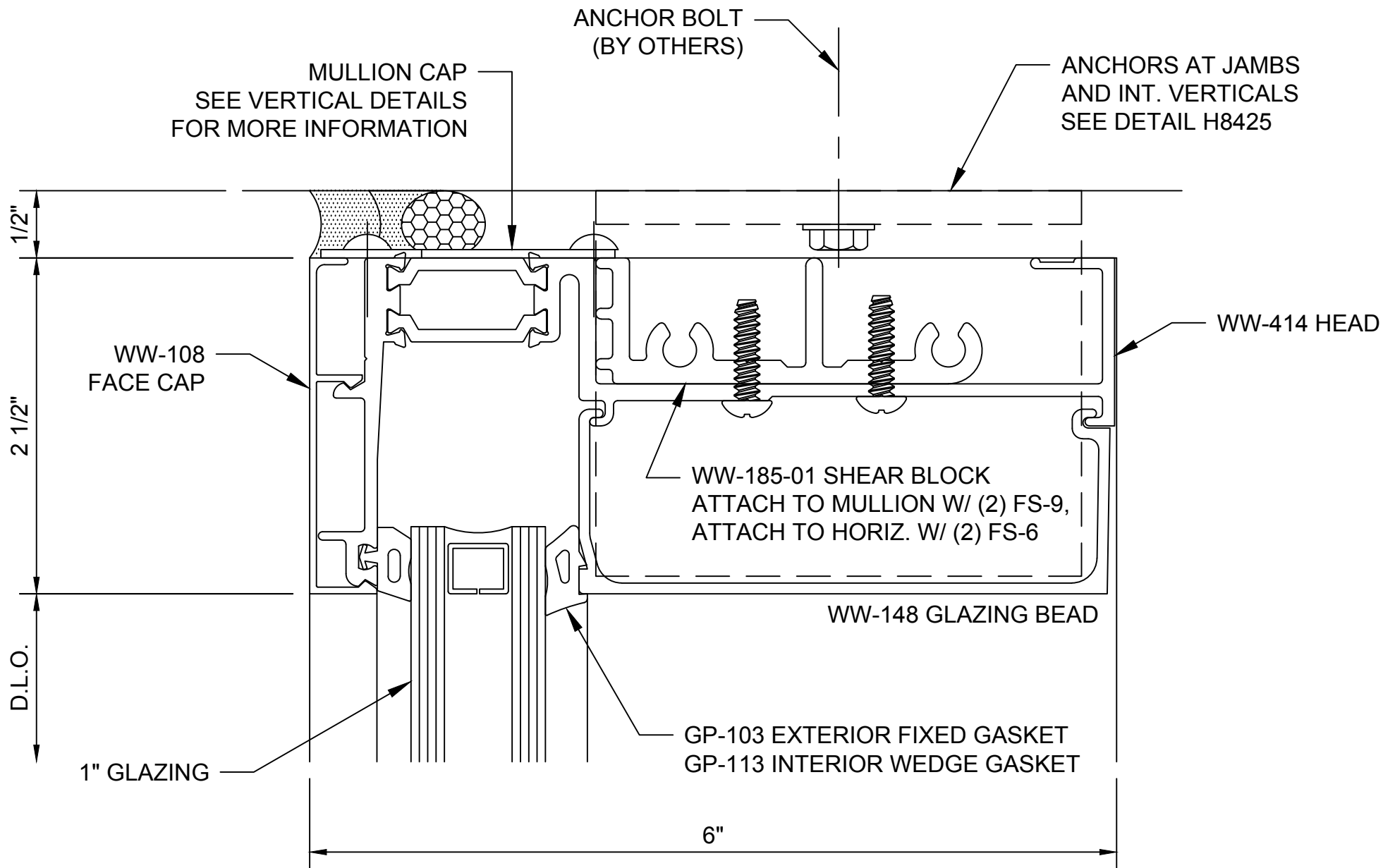
90° OUTSIDE CORNER

WW-145 ADAPTOR,
SET IN SEALANT

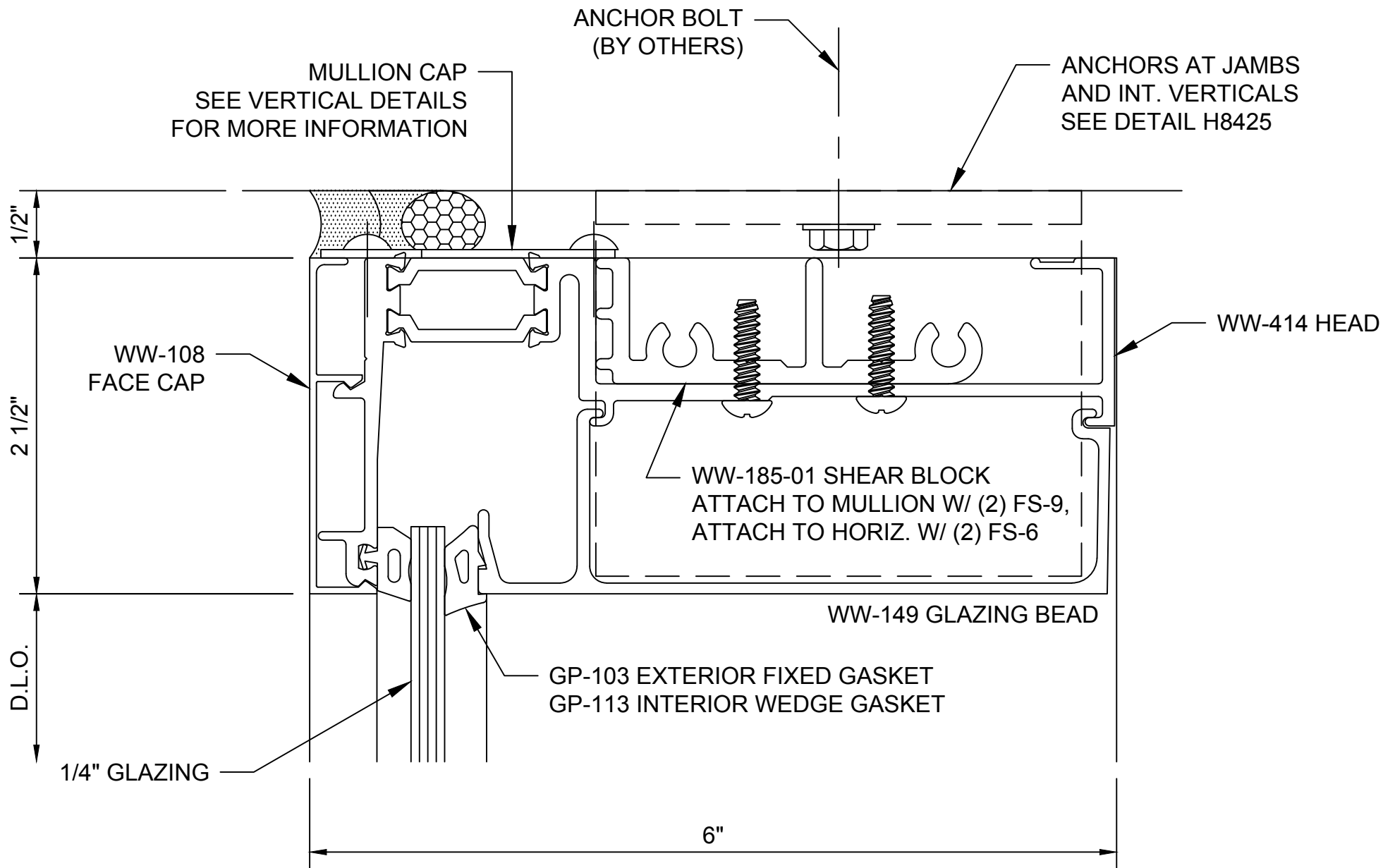


135° INSIDE CORNER

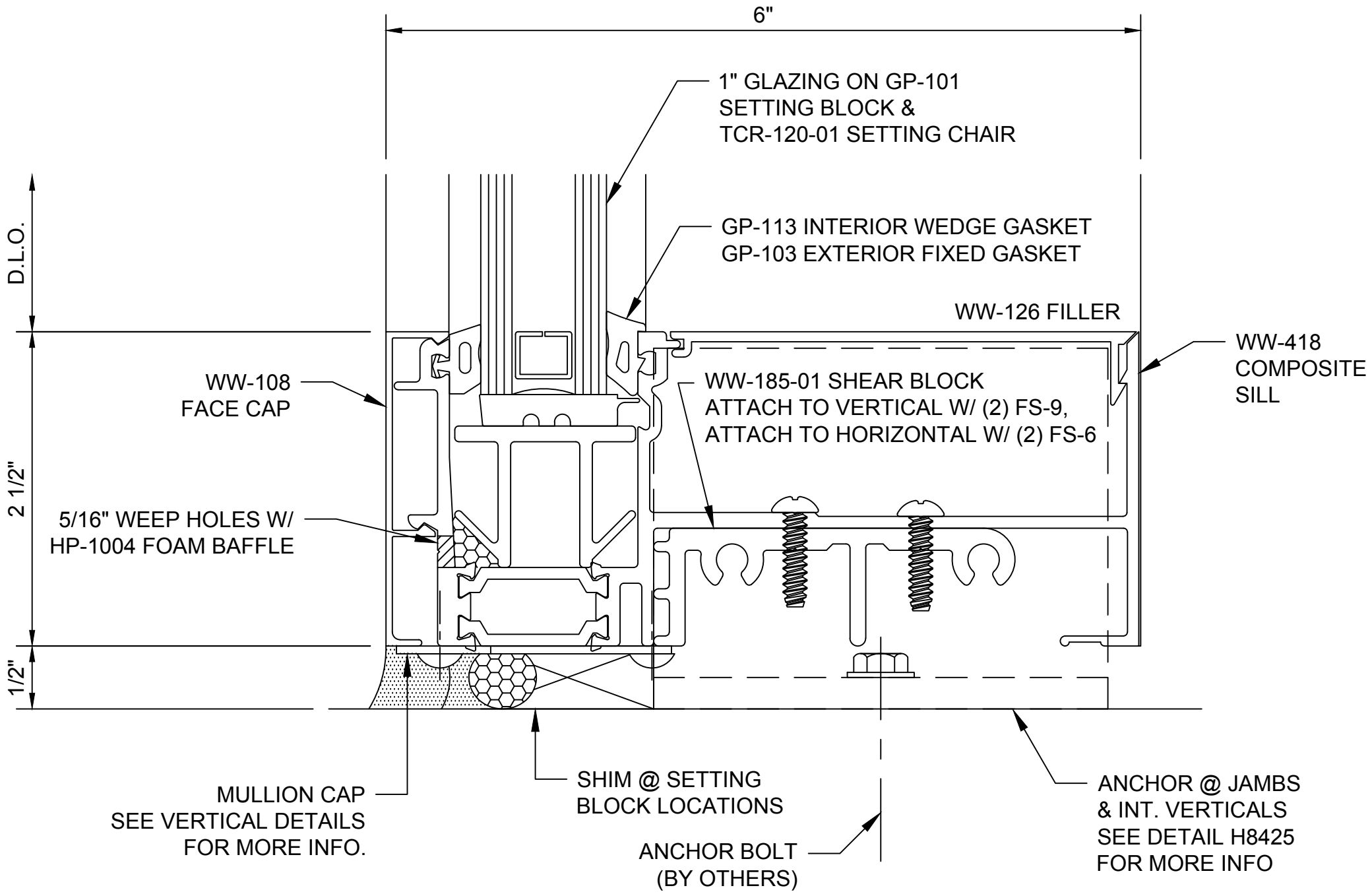
Reliance™-TC IG
Adaptors for 1/4" Glazing - H8499



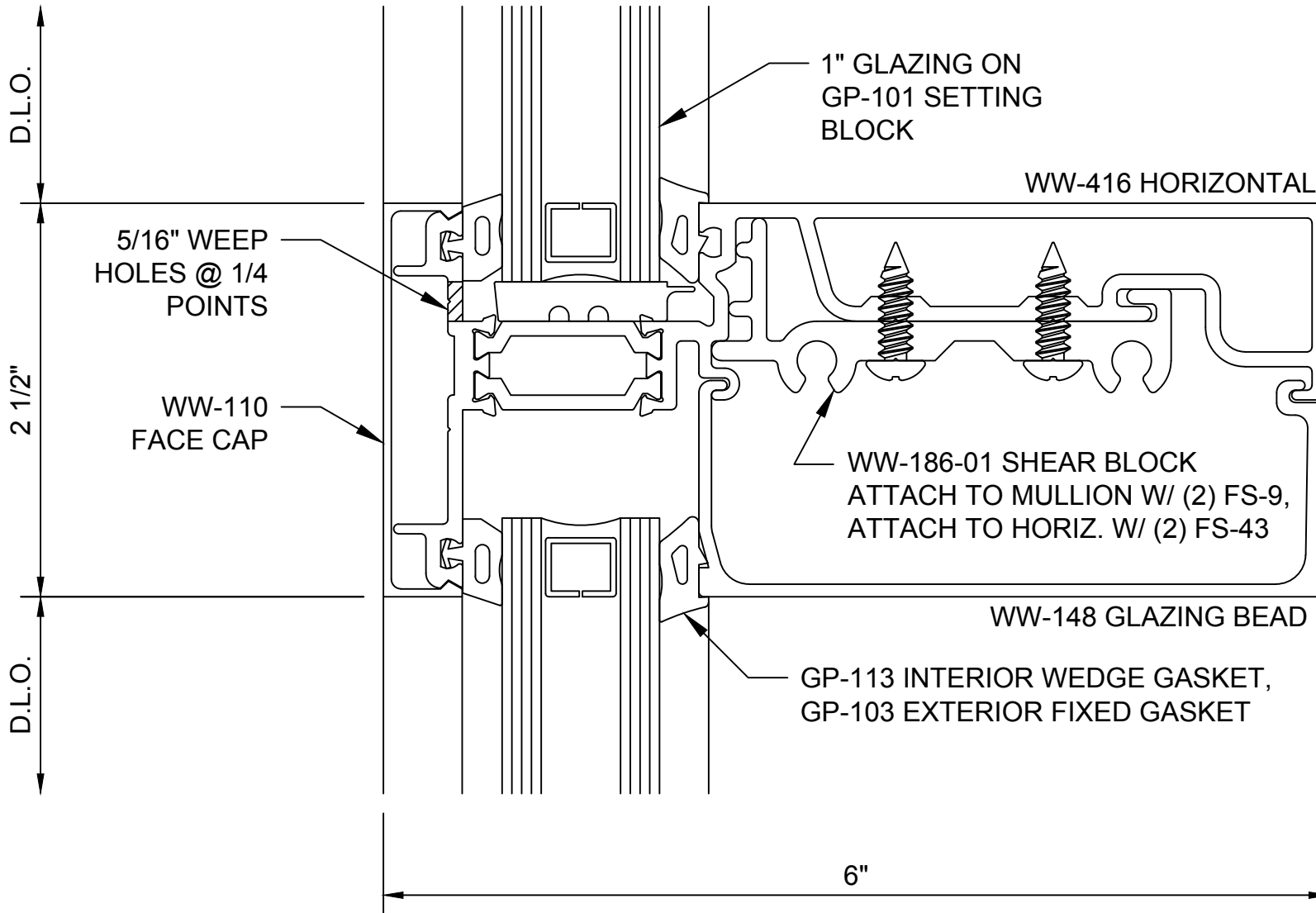
Reliance™-TC IG
Head at Vision - H8501



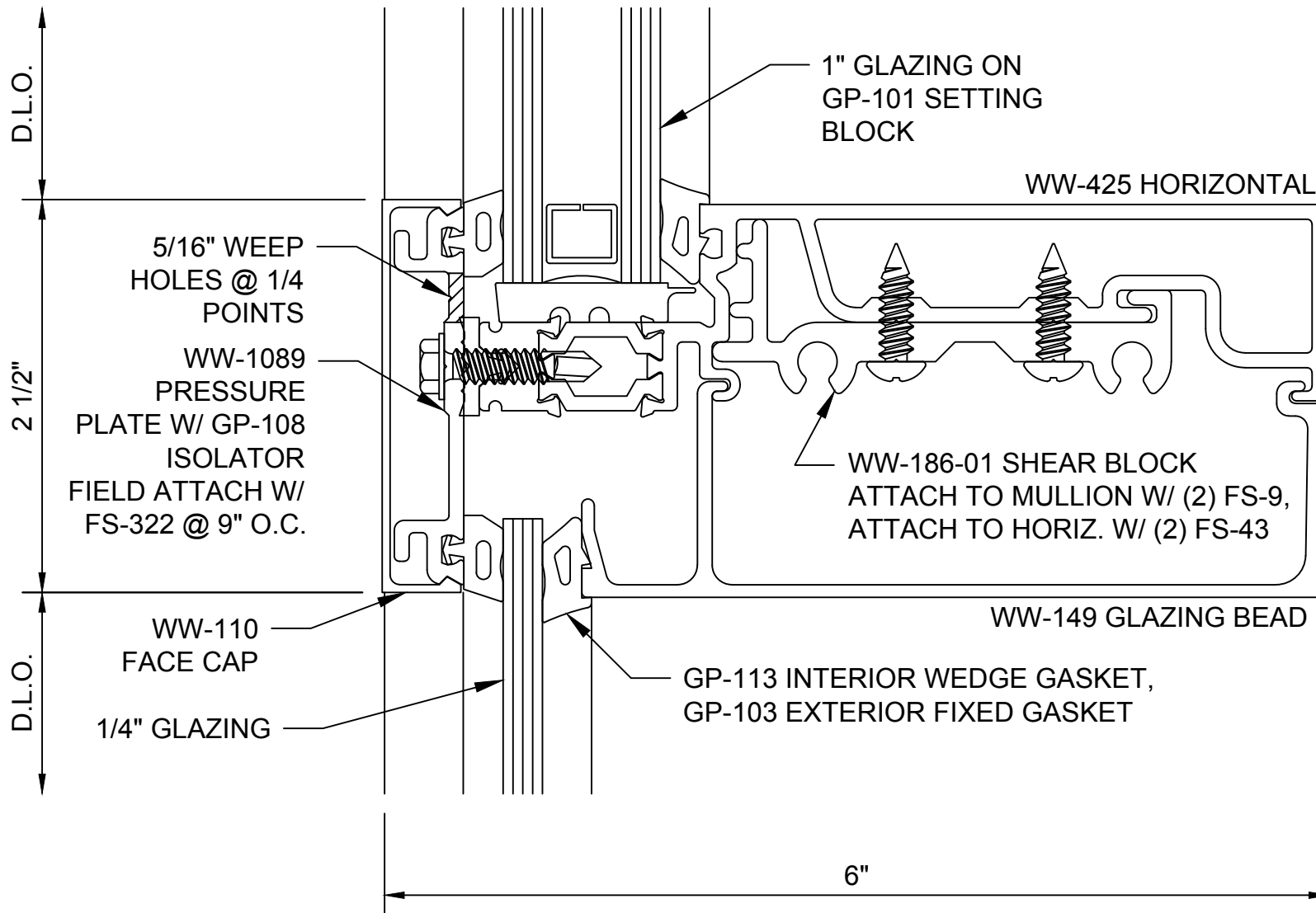
Reliance™-TC IG
Head at Spandrel - H8502



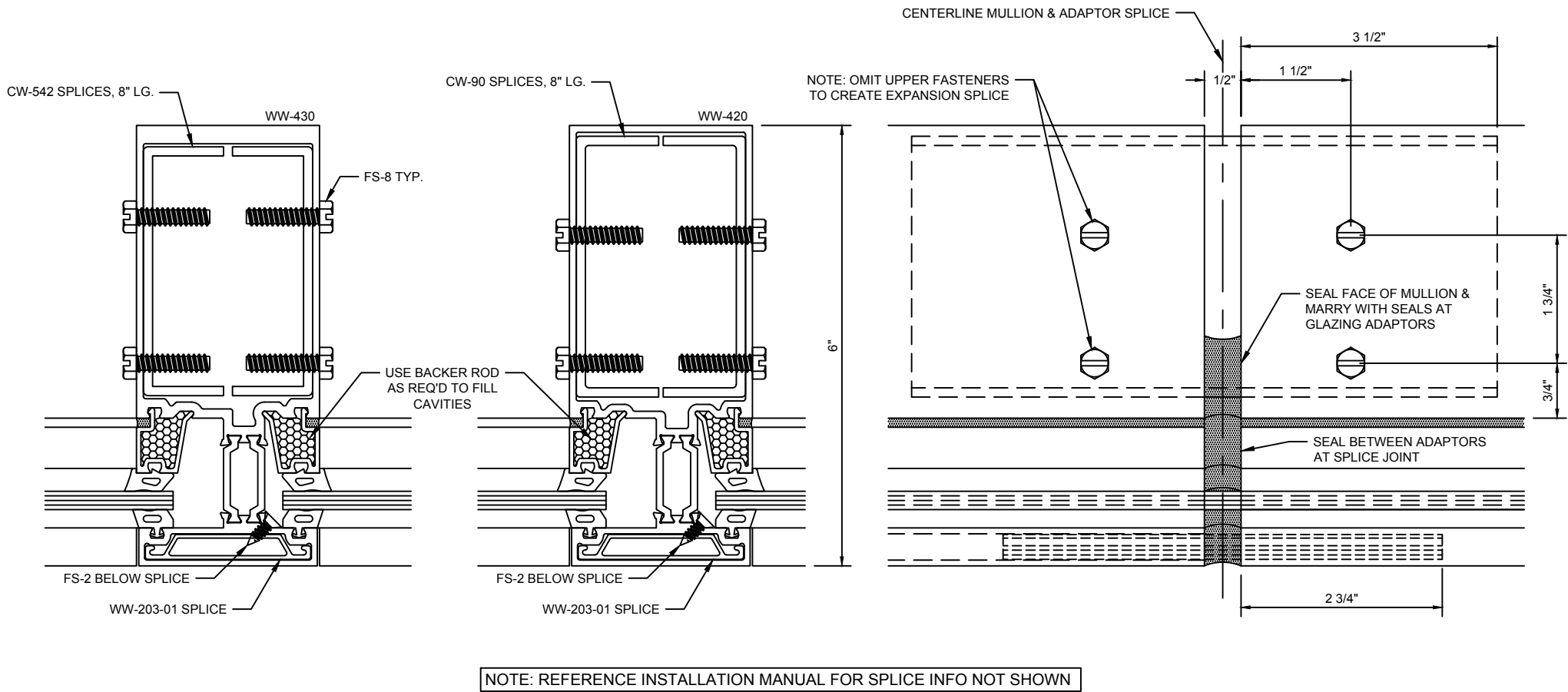
Reliance™-TC IG
Sill Horizontal - H8504



Reliance™-TC IG
 Intermediate Horizontal - H8505

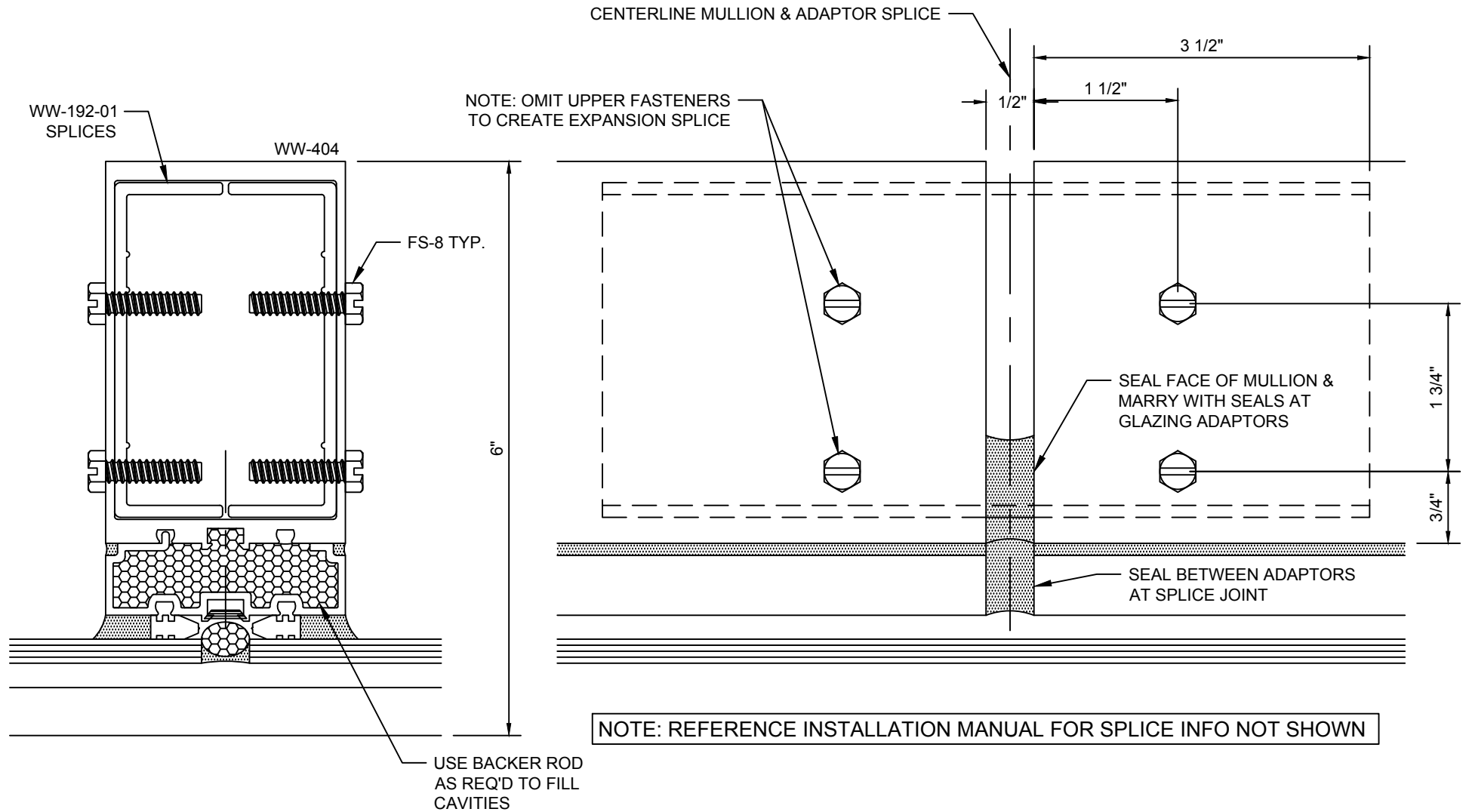


Reliance™-TC IG
Intermediate Horizontal at Vision over Spandrel - H8511



Reliance™-TC IG

Mullion Splice - Captured Vertical - H8514



Reliance™-TC IG
Mullion Splice - SSG Vertical - H8515

ZERO SIGHTLINE OPERABLE WINDOW.
REFER TO www.obe.com/products/architectural-windows FOR THE MOST CURRENT AVAILABLE VENT OPTIONS.

WW-128 POCKET FILLER

GP-113 WEDGE GASKET

5/16" WEEP HOLES @ 1/4 POINTS

WW-110 FACE CAP

2 1/2"

D.L.O.

WW-416 HORIZONTAL

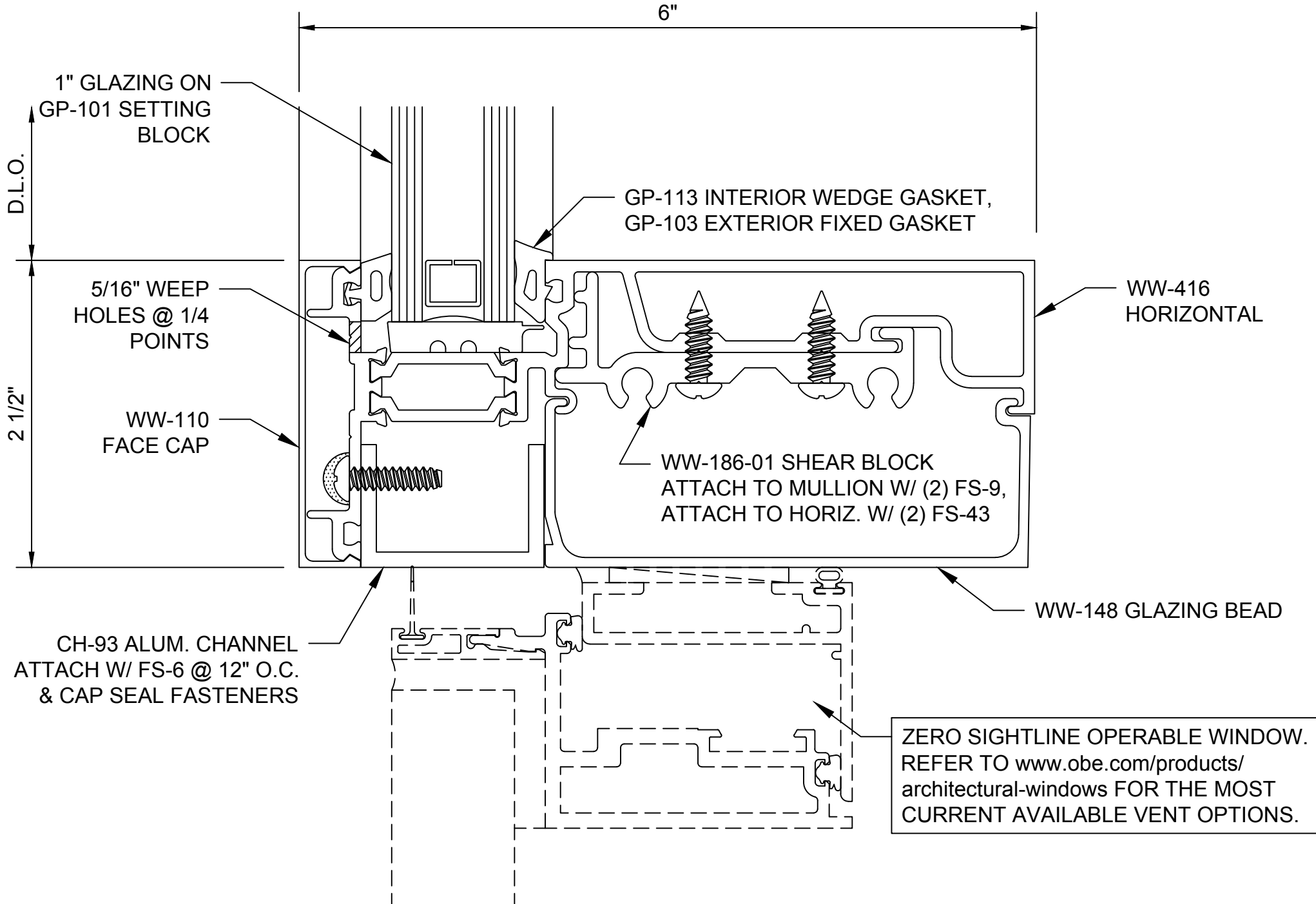
WW-186-01 SHEAR BLOCK
ATTACH TO MULLION W/ (2) FS-9,
ATTACH TO HORIZ. W/ (2) FS-43

WW-148 GLAZING BEAD

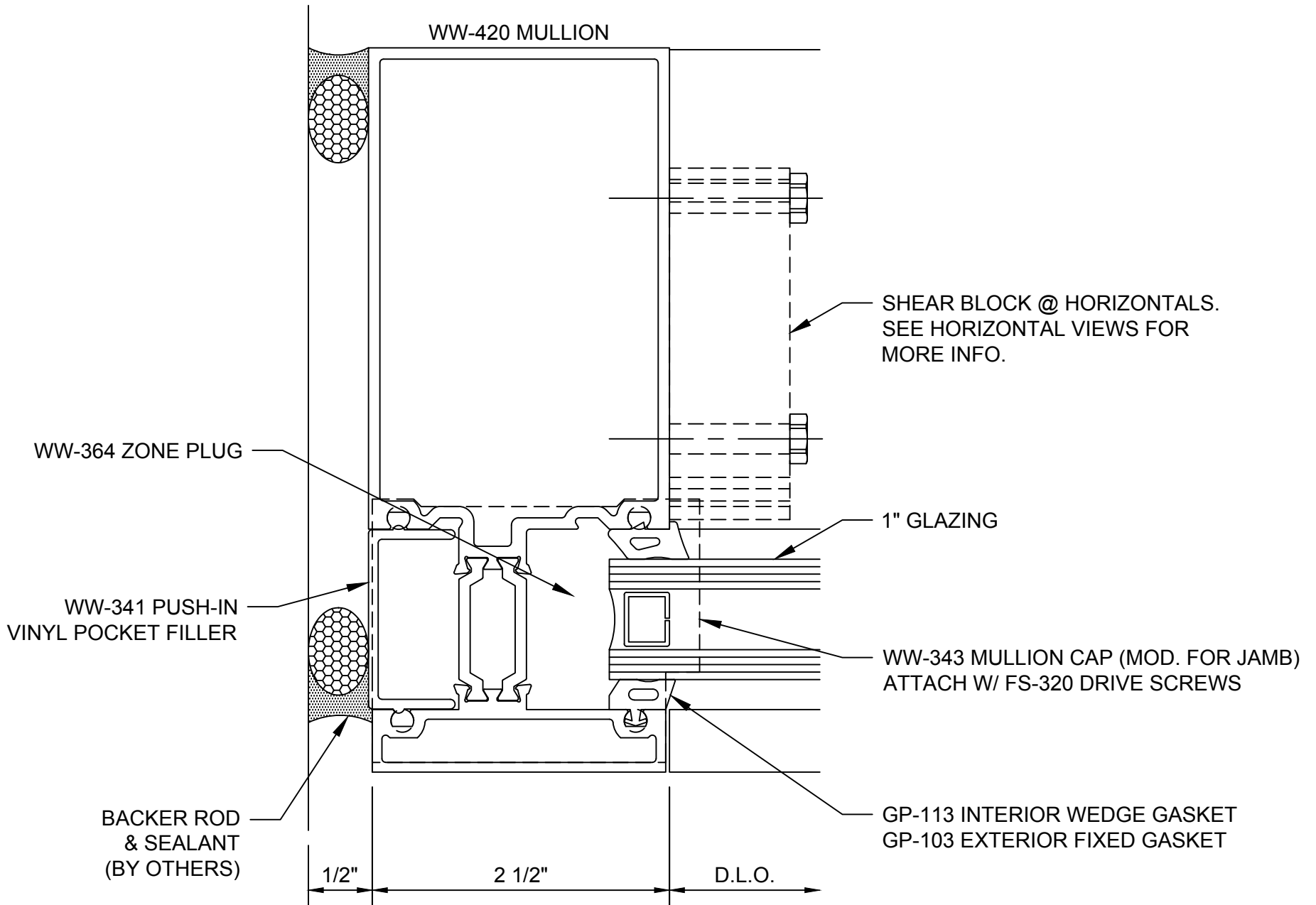
GP-113 INTERIOR WEDGE GASKET,
GP-103 EXTERIOR FIXED GASKET

6"

Reliance™-TC IG
Horizontal at Operable Window - H8594

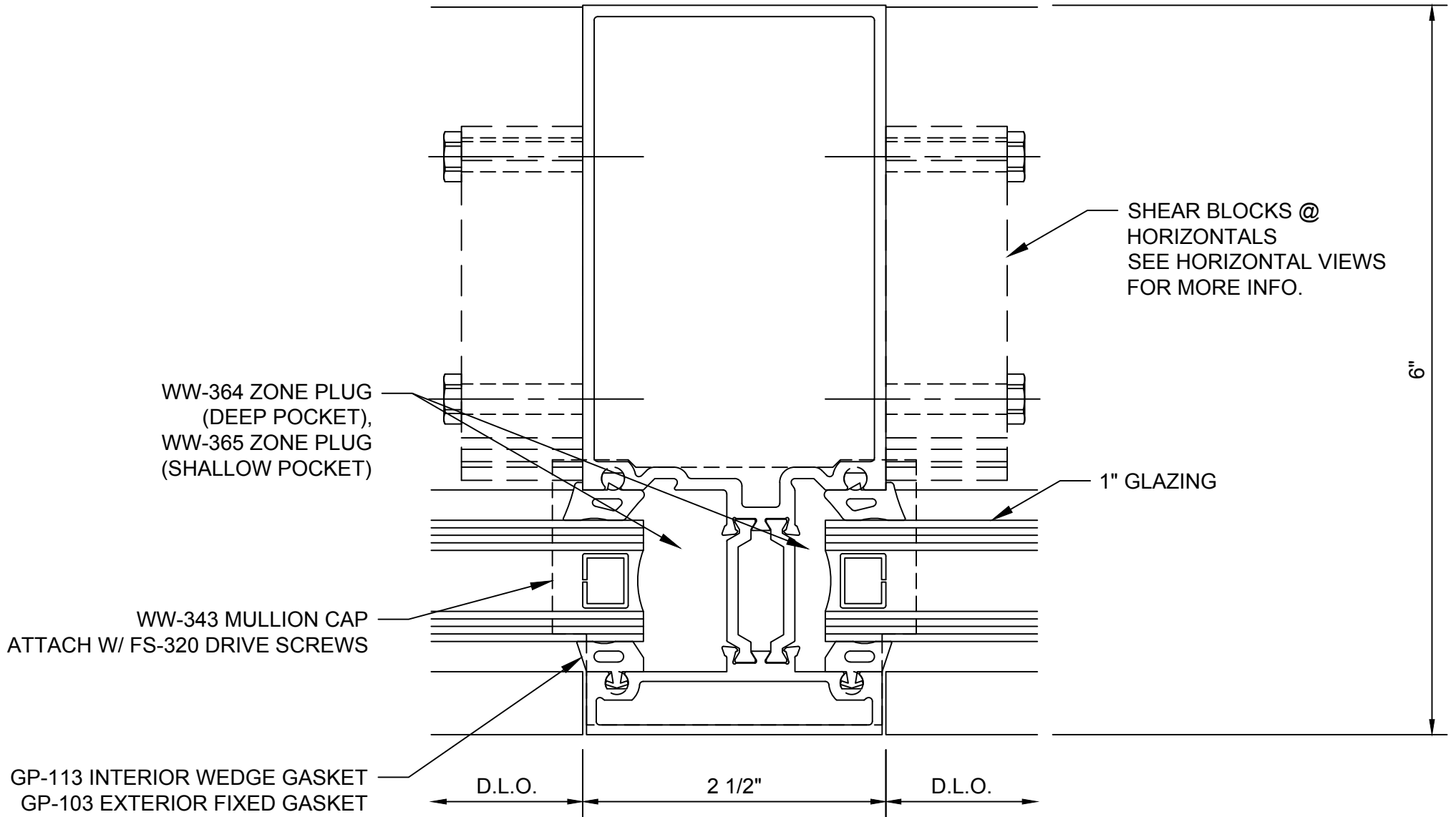


Reliance™-TC IG
Horizontal at Operable Window - H8596



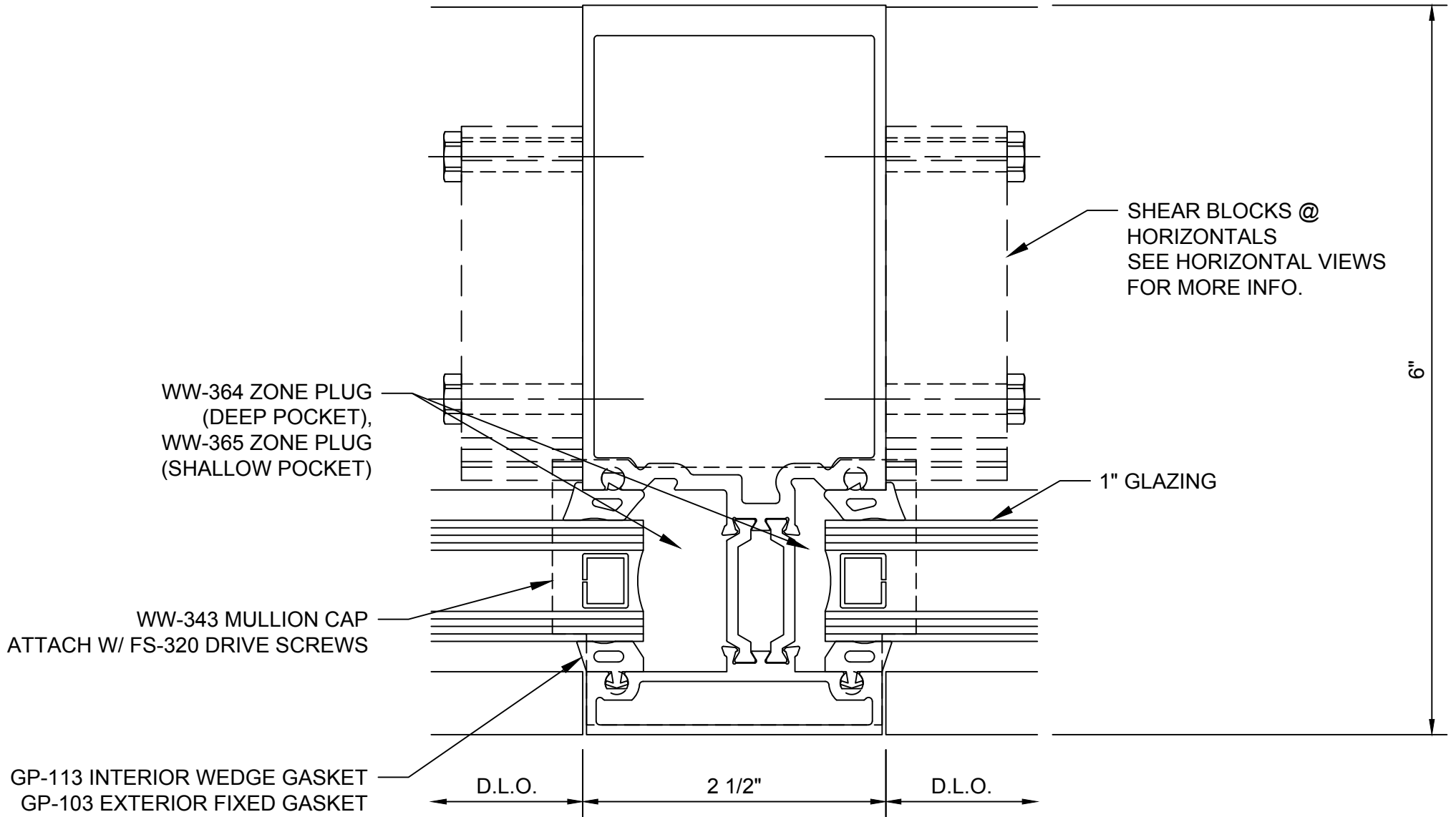
Reliance™-TC IG
Jamb Vertical - V8501

WW-420 MULLION

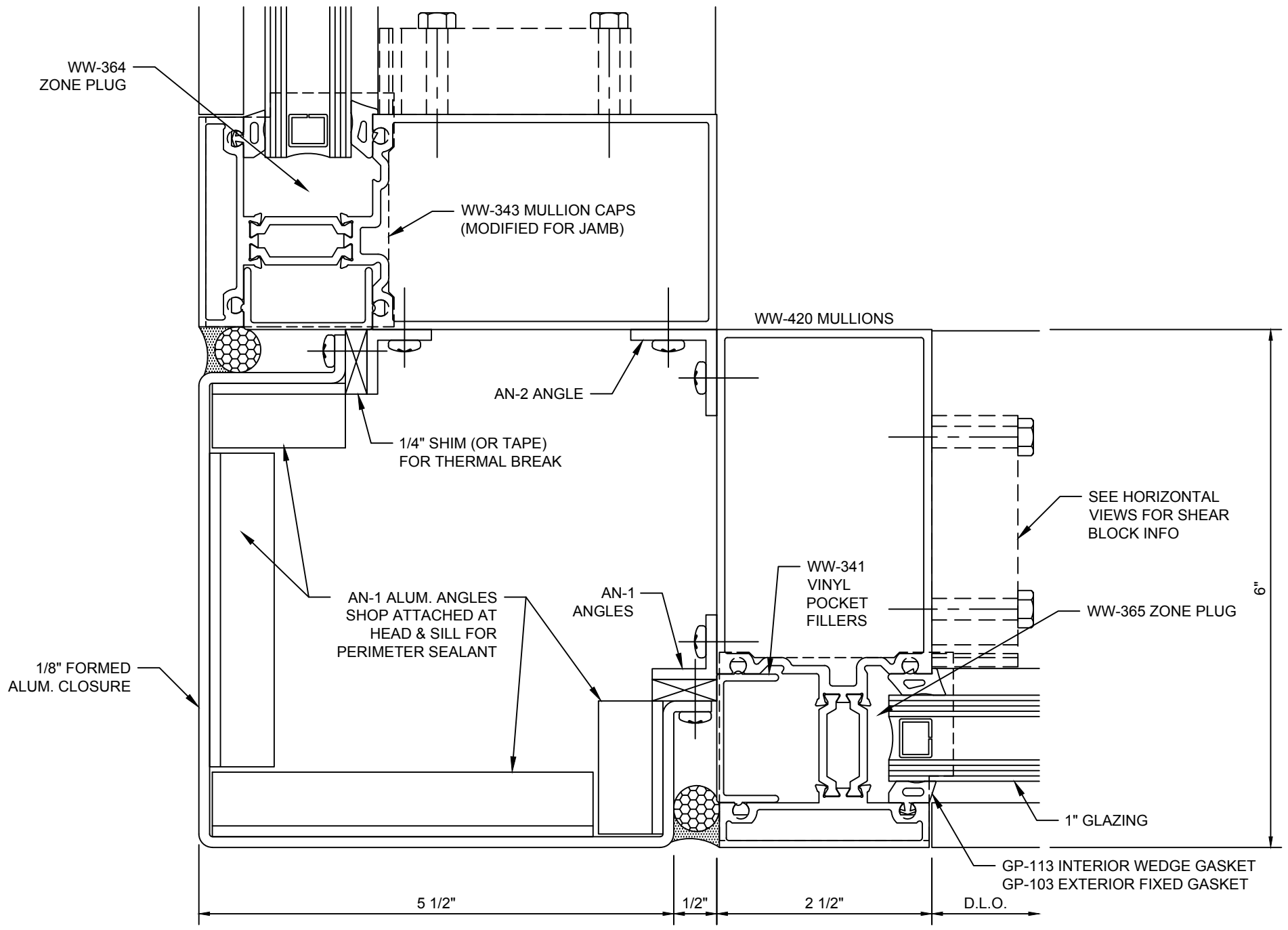


Reliance™-TC IG
Vertical Mullion - V8502

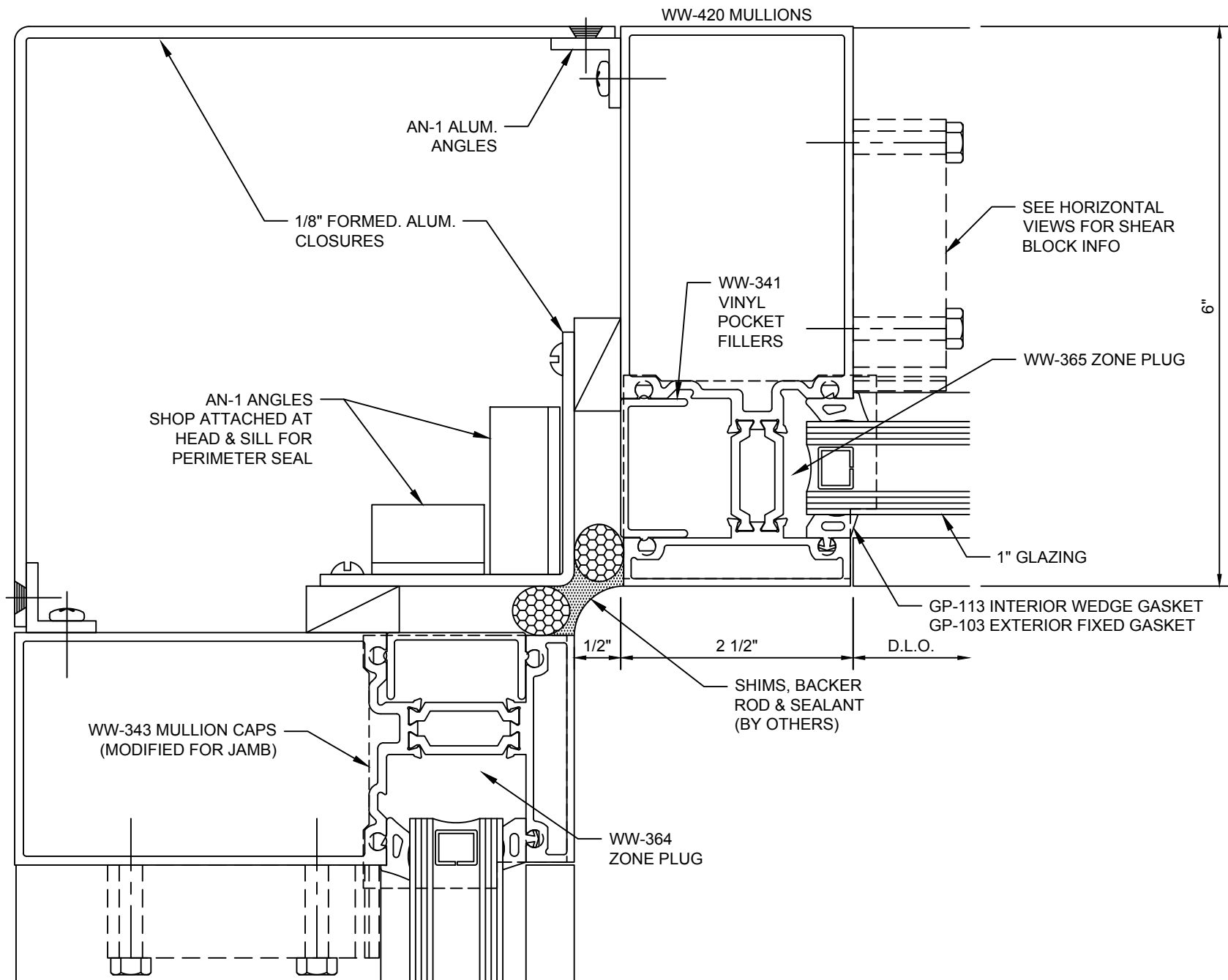
WW-430 MULLION



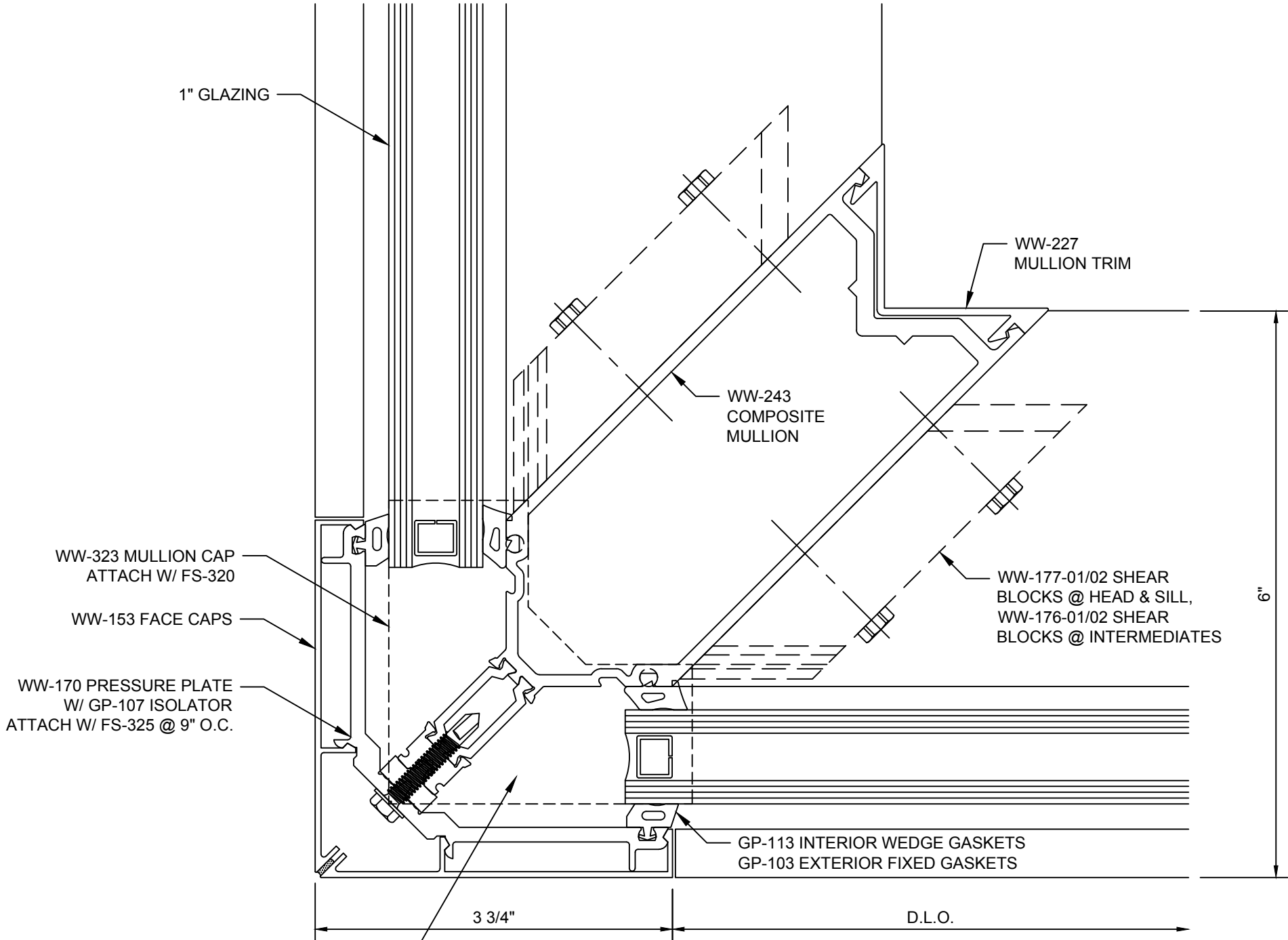
Reliance™-TC IG
Heavy Vertical Mullion - V8505



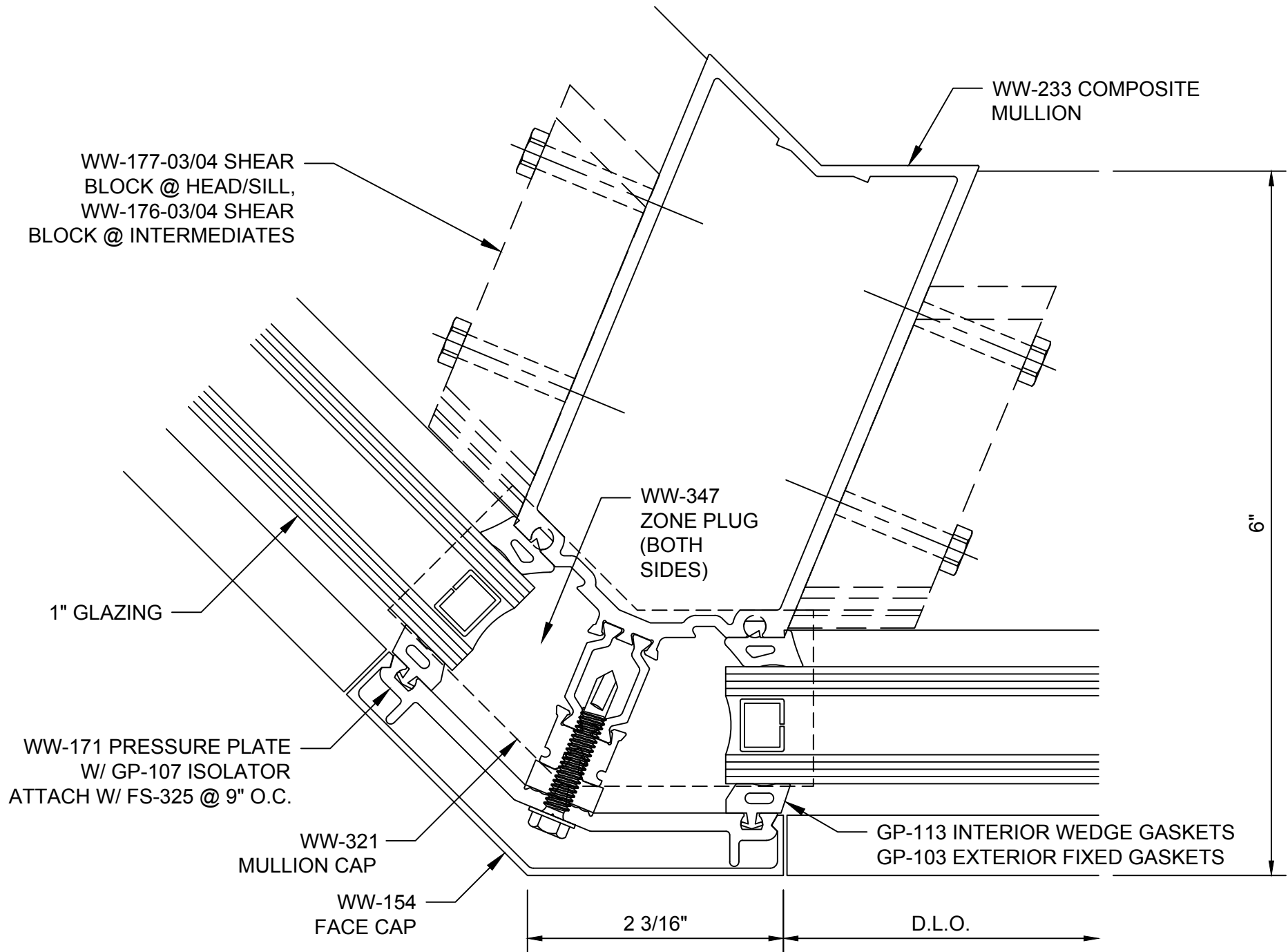
Reliance™-TC IG
90° Outside Corner - V8515



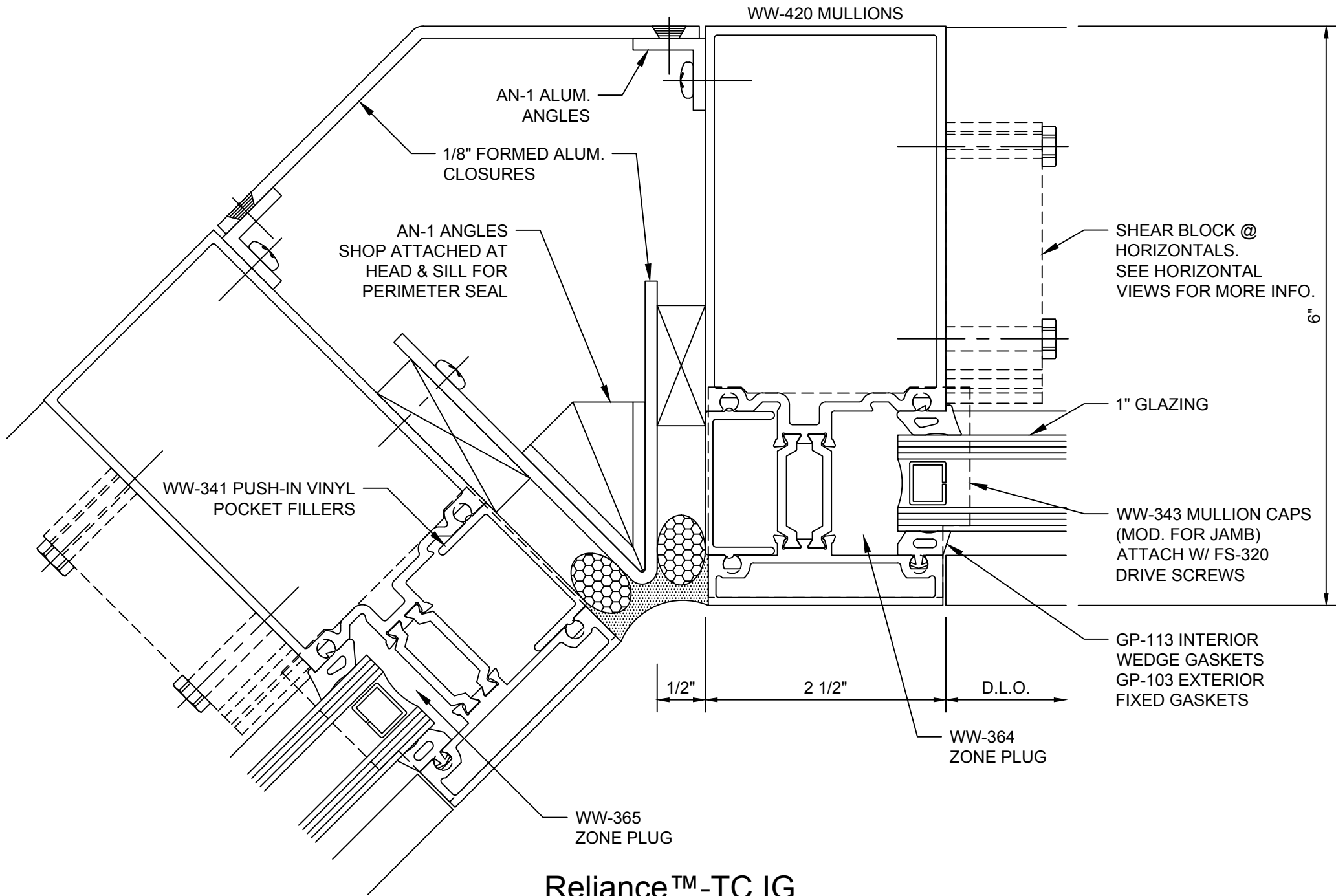
Reliance™-TC IG
90° Inside Corner - V8517



Reliance™-TC IG
90° Outside Corner - V8521

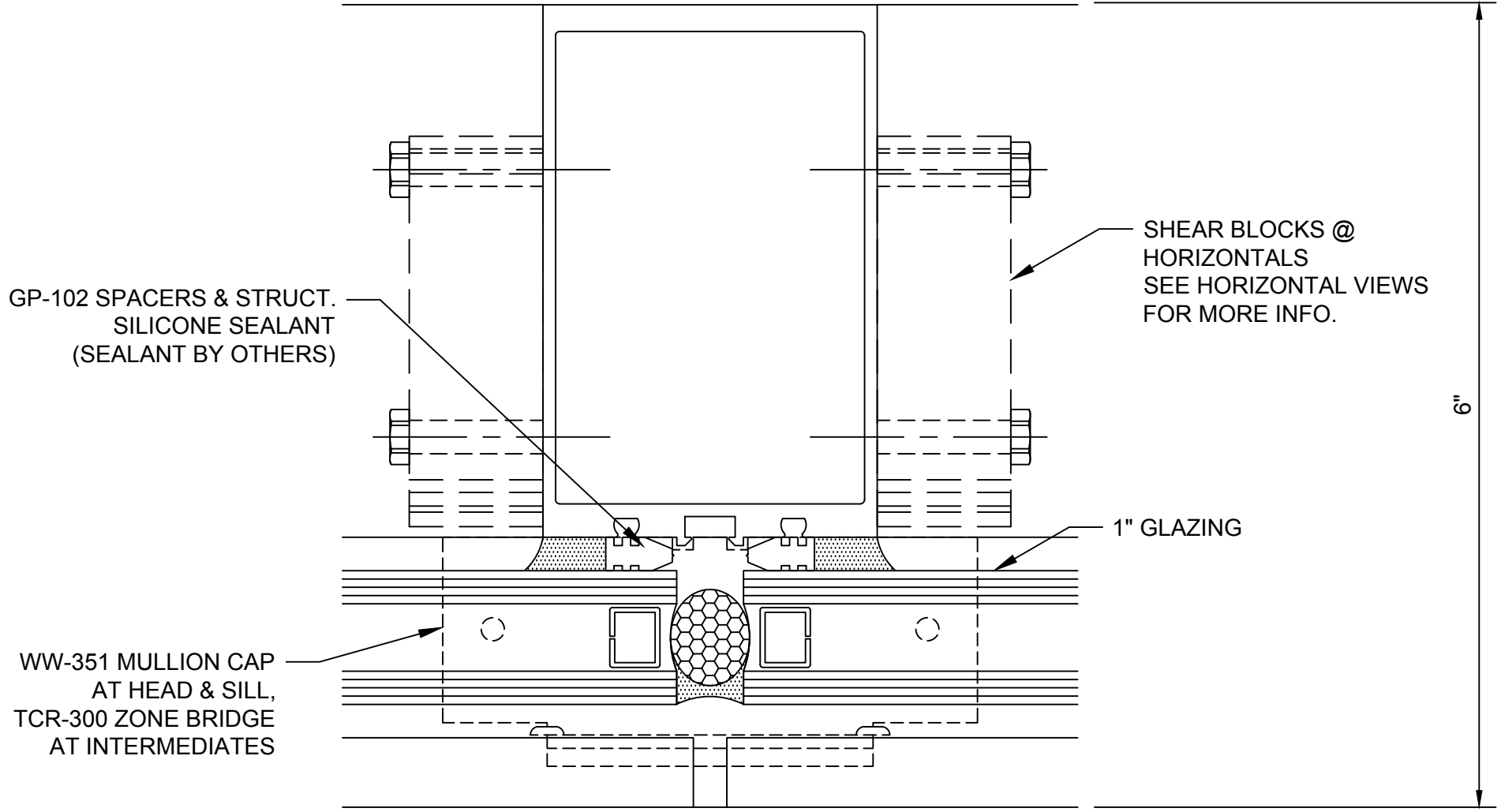


Reliance™-TC IG
135° Outside Corner - V8523



Reliance™-TC IG
135° Inside Corner - V8527

WW-404 MULLION

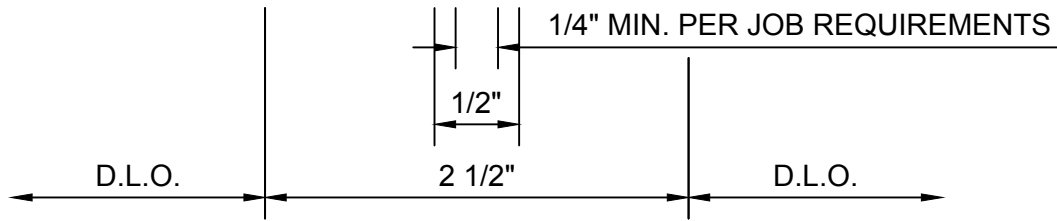


GP-102 SPACERS & STRUCT.
SILICONE SEALANT
(SEALANT BY OTHERS)

SHEAR BLOCKS @
HORIZONTALS
SEE HORIZONTAL VIEWS
FOR MORE INFO.

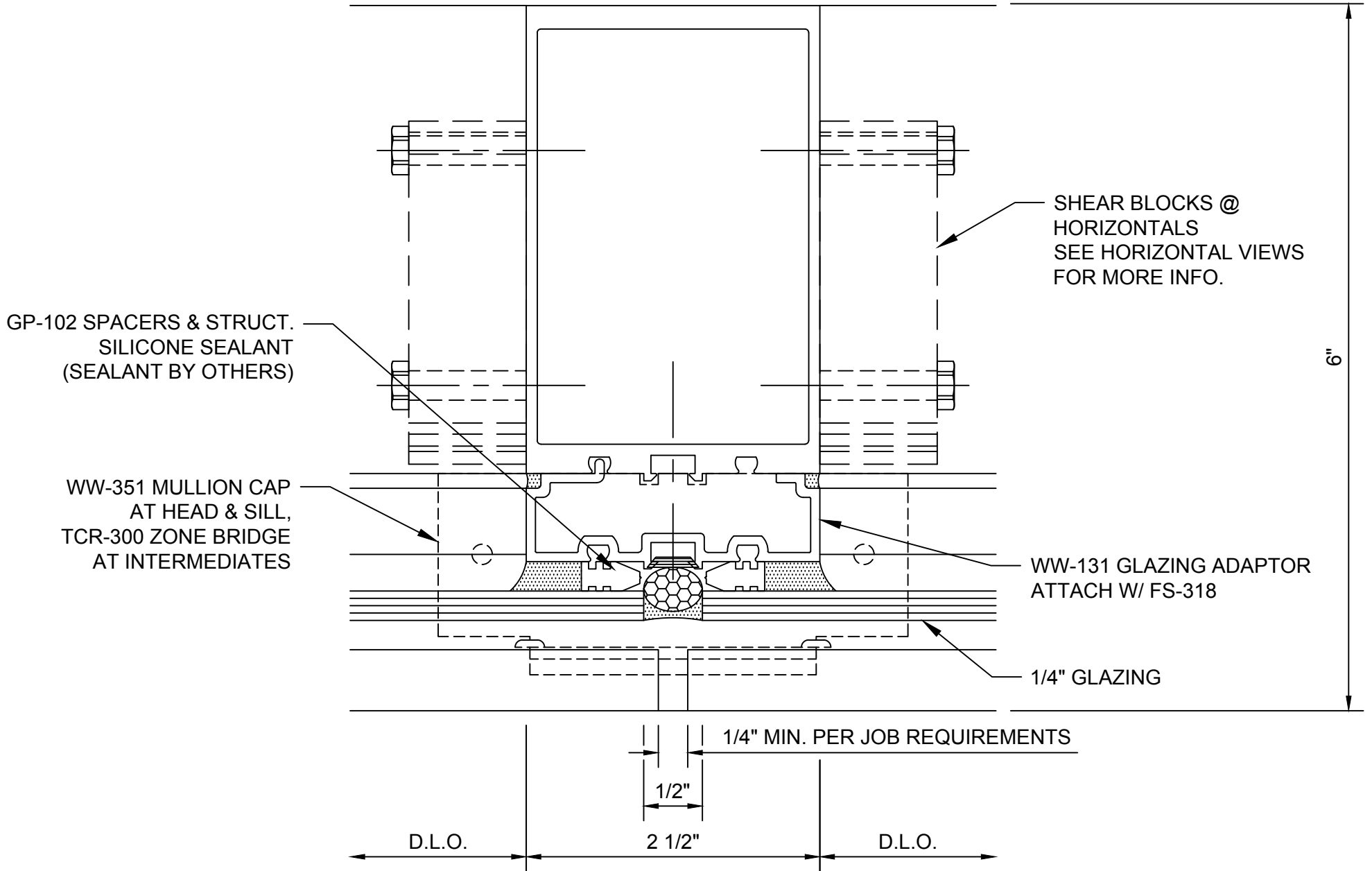
1\" GLAZING

WW-351 MULLION CAP
AT HEAD & SILL,
TCR-300 ZONE BRIDGE
AT INTERMEDIATES



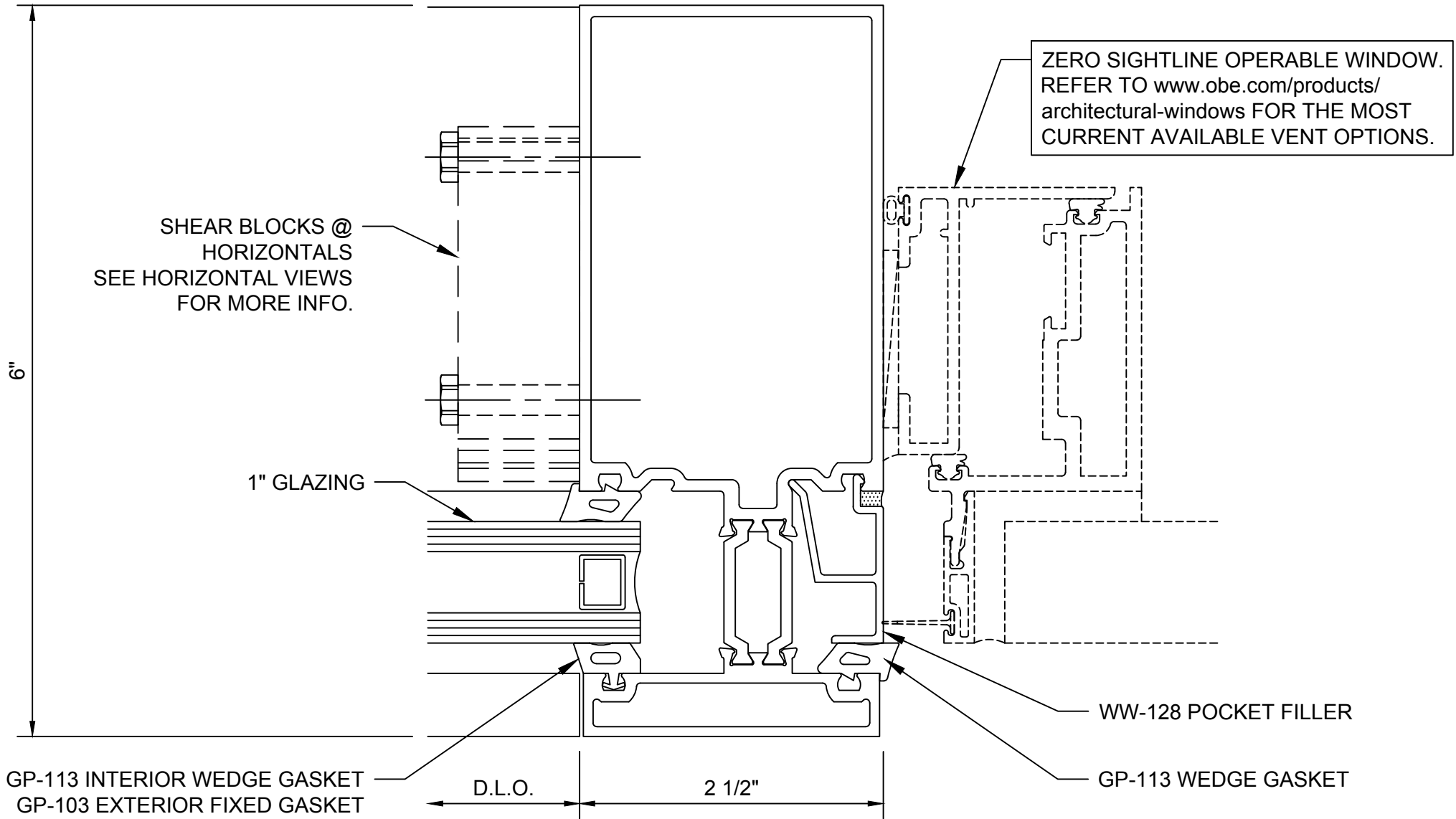
Reliance™-TC IG
SSG Vertical Mullion - V8552

WW-404 MULLION



Reliance™-TC IG
SSG Vertical Mullion at Spandrel - V8557

WW-420 MULLION



Reliance™-TC IG
Vertical Mullion at Operable Window - V8592