

# Oldcastle BuildingEnvelope®

1-866-Oldcastle (653-2278) - [www.obe.com](http://www.obe.com)

## RELIANCE™-SS CURTAIN WALL 2-1/2" X 10-1/8" SCREW SPLINE SYSTEM w/ 1" TYPICAL INFILL

*(Drawing numbers---i.e., V9001---used as CAD detail reference only)*

### Elevation

|       |                                 |
|-------|---------------------------------|
| V9057 | SSG Vertical at Spandrel        |
| V9091 | Vertical at Operable Window     |
| V9092 | SSG Vertical at Operable Window |

### **Horizontal Details**

|       |  |
|-------|--|
| H9001 | Head   |
| H9004 | Sill   |
| H9005 | Typical Horizontal                           |
| H9006 | Horizontal - Vision over Spandrel            |
| H9092 | Horizontal at Operable Window (Pocket Frame) |
| H9096 | Horizontal at Operable Window (Flat Frame)   |

### **Corner Details**

|       |                                |
|-------|--------------------------------|
| V9015 | 90° Outside Corner - 2 Mullion |
| V9017 | 90° Inside Corner - 2 Mullion  |
| V9025 | 90° Outside Corner             |
| V9025 | 90° Inside Corner              |
| V9071 | SSG 90° Outside Corner         |

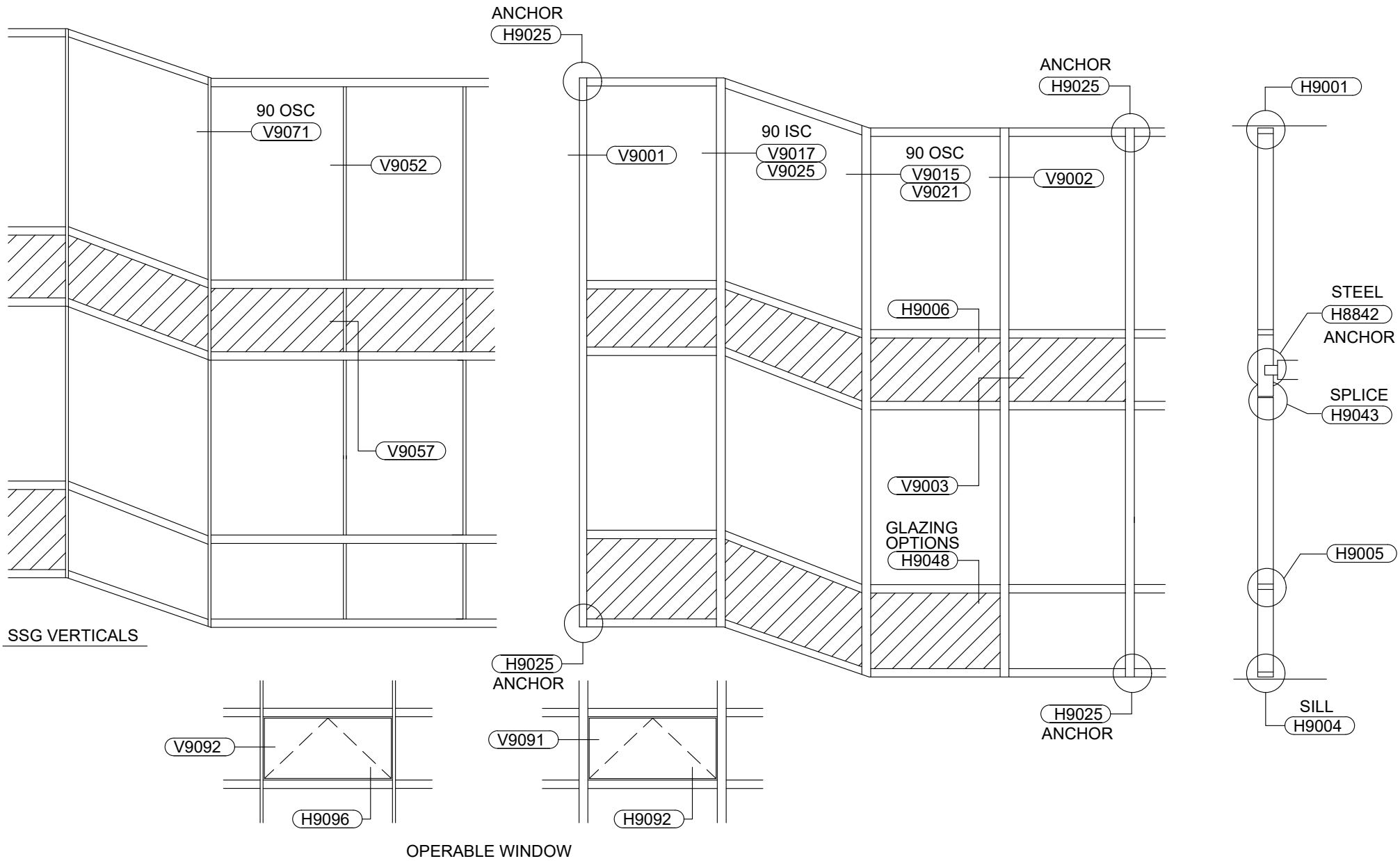
### **Vertical Details**

|       |                       |
|-------|-----------------------|
| V9001 | Jamb                  |
| V9002 | Intermediate Vertical |
| V9003 | Vertical at Spandrel  |
| V9052 | SSG Vertical          |

### **Misc. Details**

|       |                   |
|-------|-------------------|
| H8842 | Steel Anchoring   |
| H9025 | Mullion Anchoring |
| H9043 | Mullion Splicing  |
| H9048 | Glazing Options   |

## Table of Contents



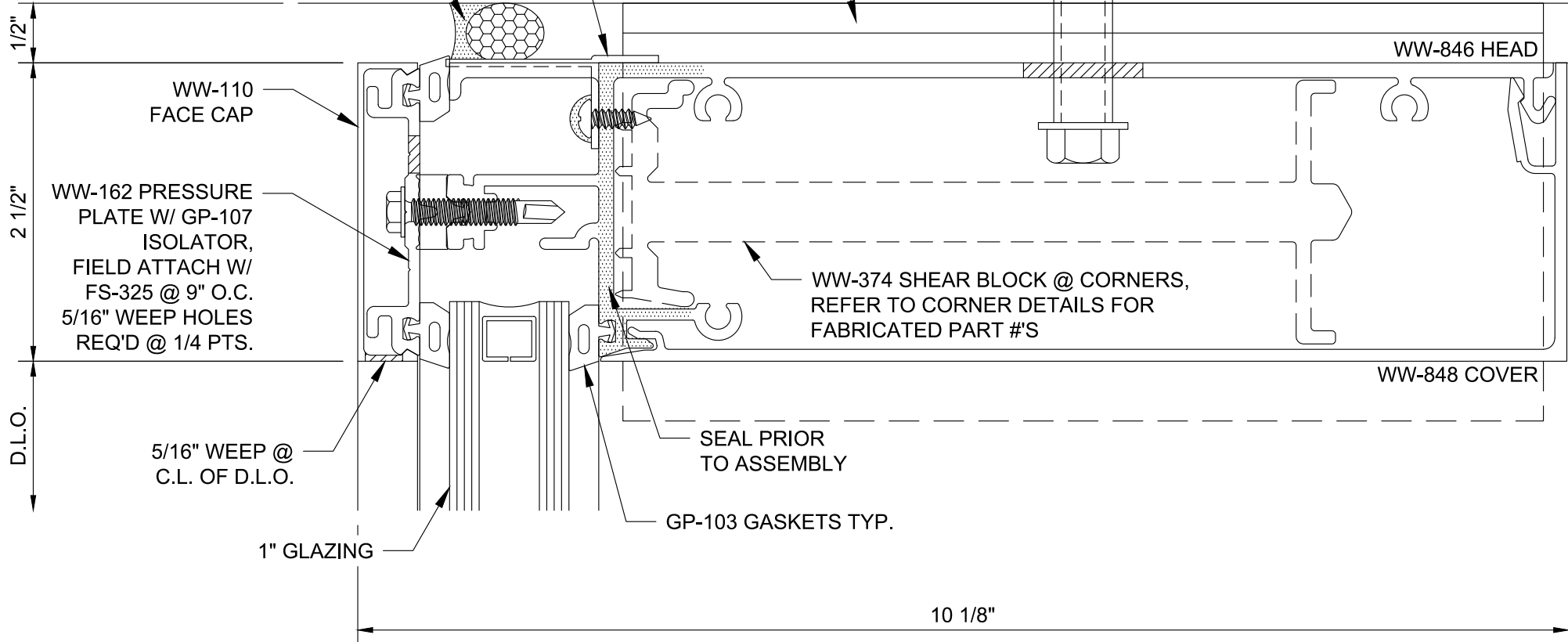
**Reliance™-SS Curtain Wall**  
**2-1/2" x 10-1/8" w/ 1" Typical Infill - Elevation**

SLIDE-IN ANCHOR @ MULLION (SEE SHEET 9025)

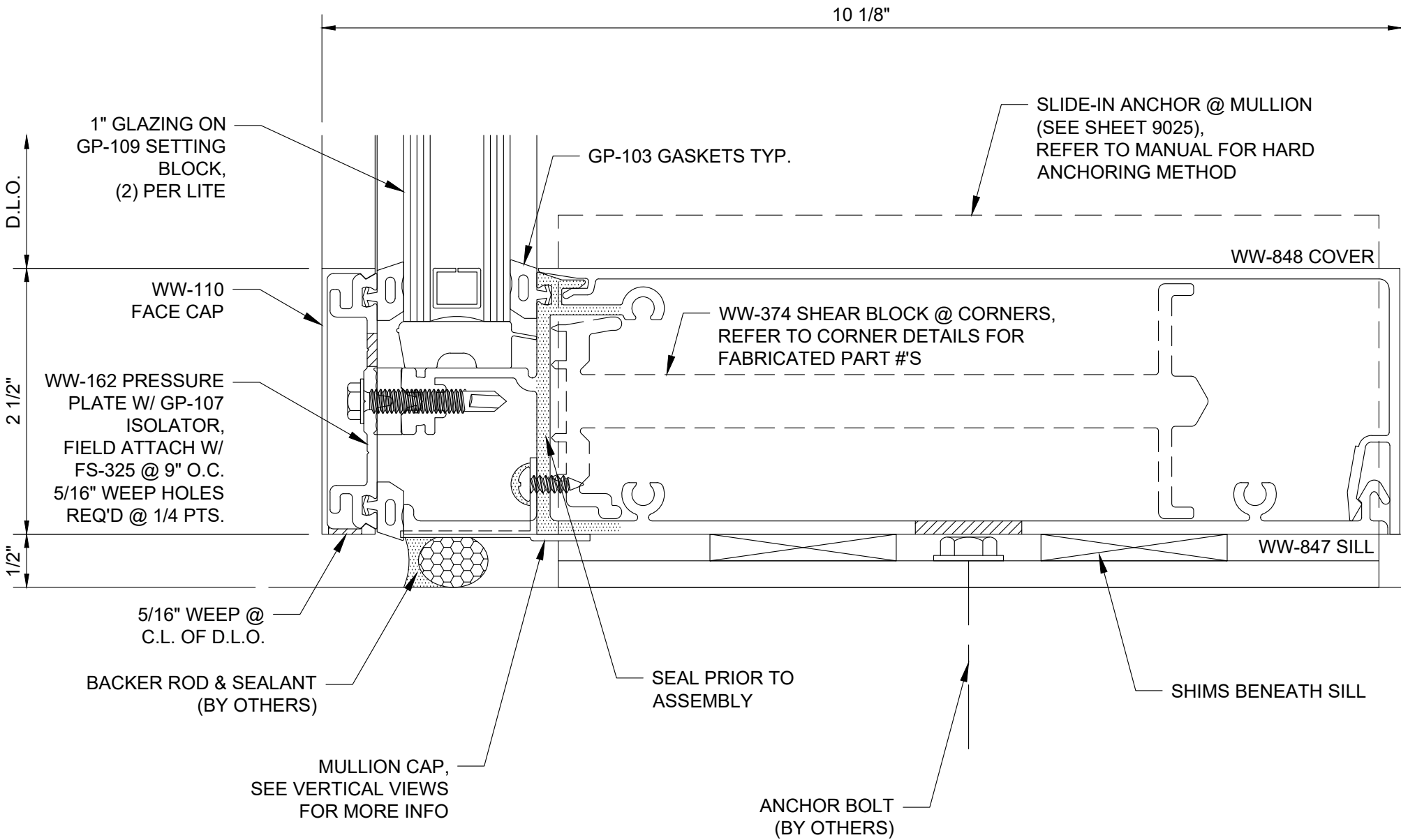
MULLION CAP,  
SEE VERTICAL VIEWS  
FOR MORE INFO

BACKER ROD & SEALANT  
(BY OTHERS)

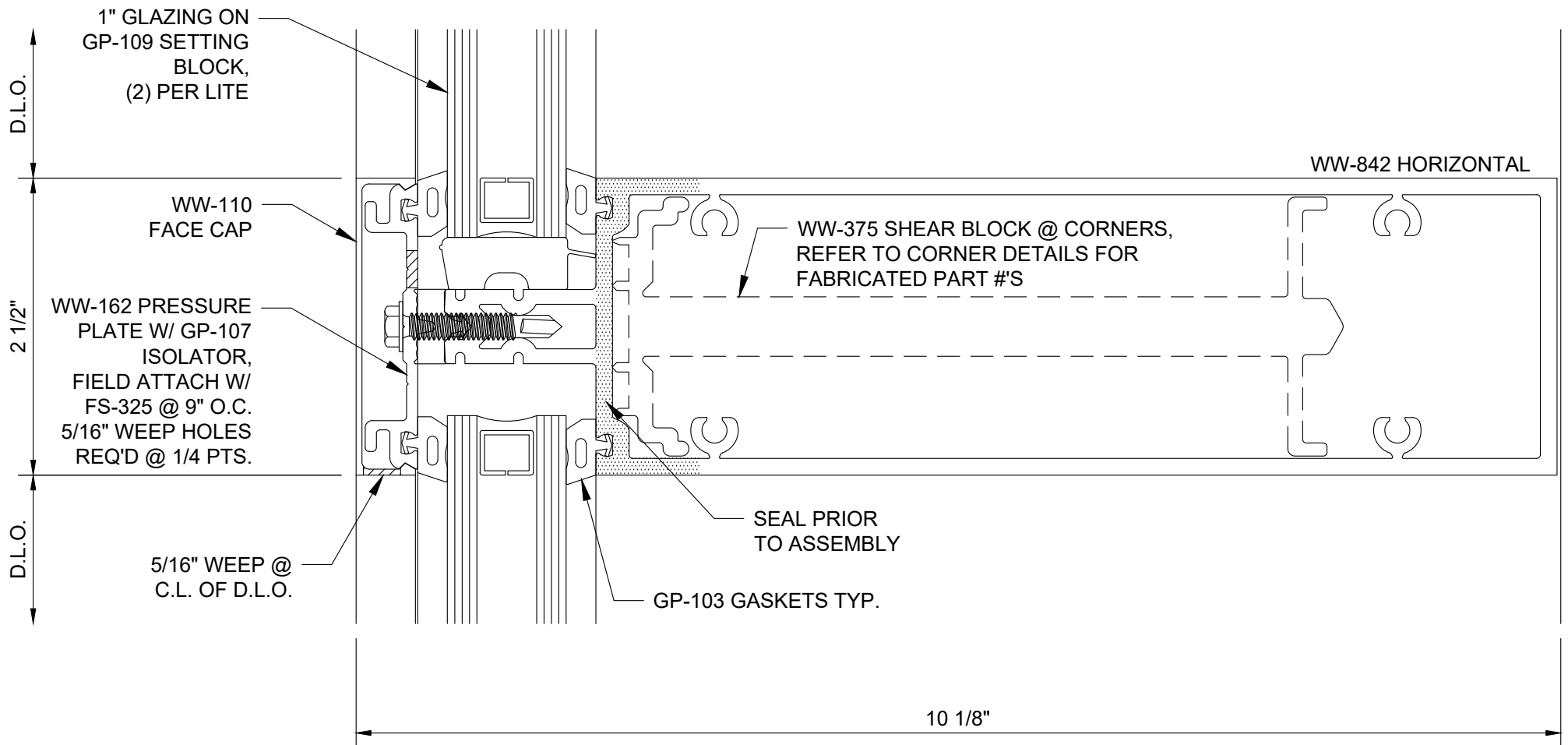
ANCHOR BOLT  
(BY OTHERS)



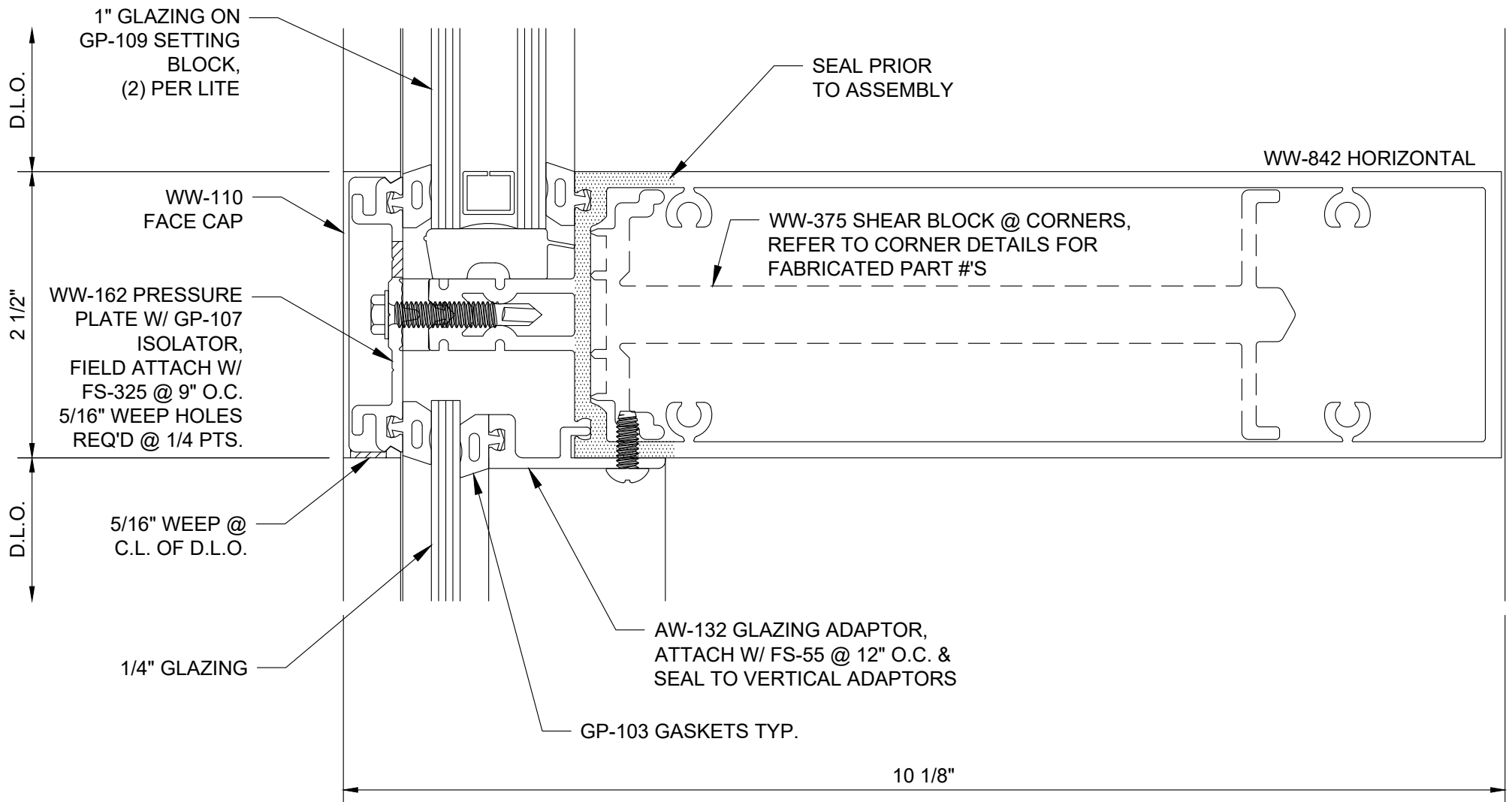
# Reliance™-SS Head - H9001



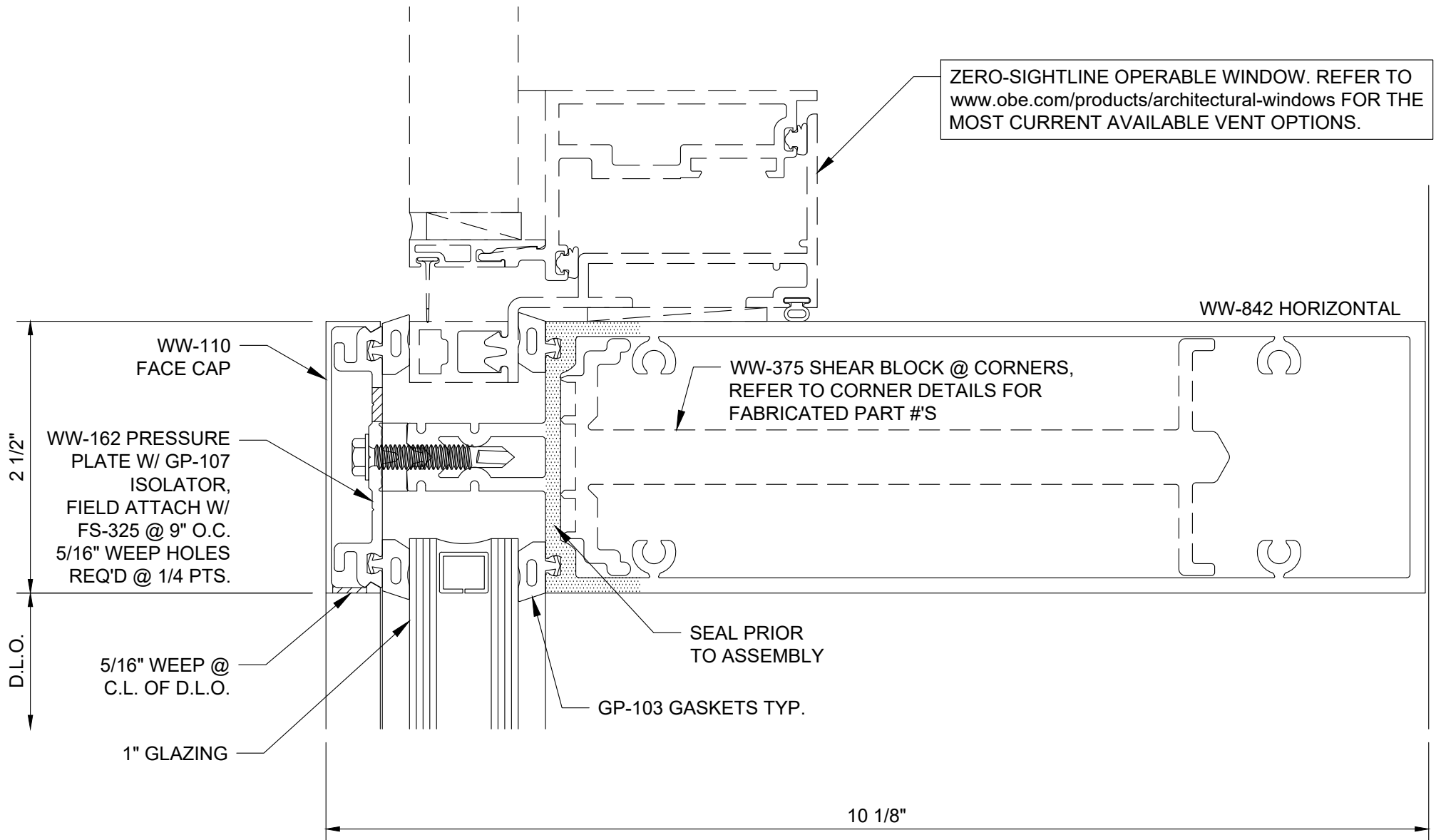
**Reliance™-SS**  
**Sill - H8804**



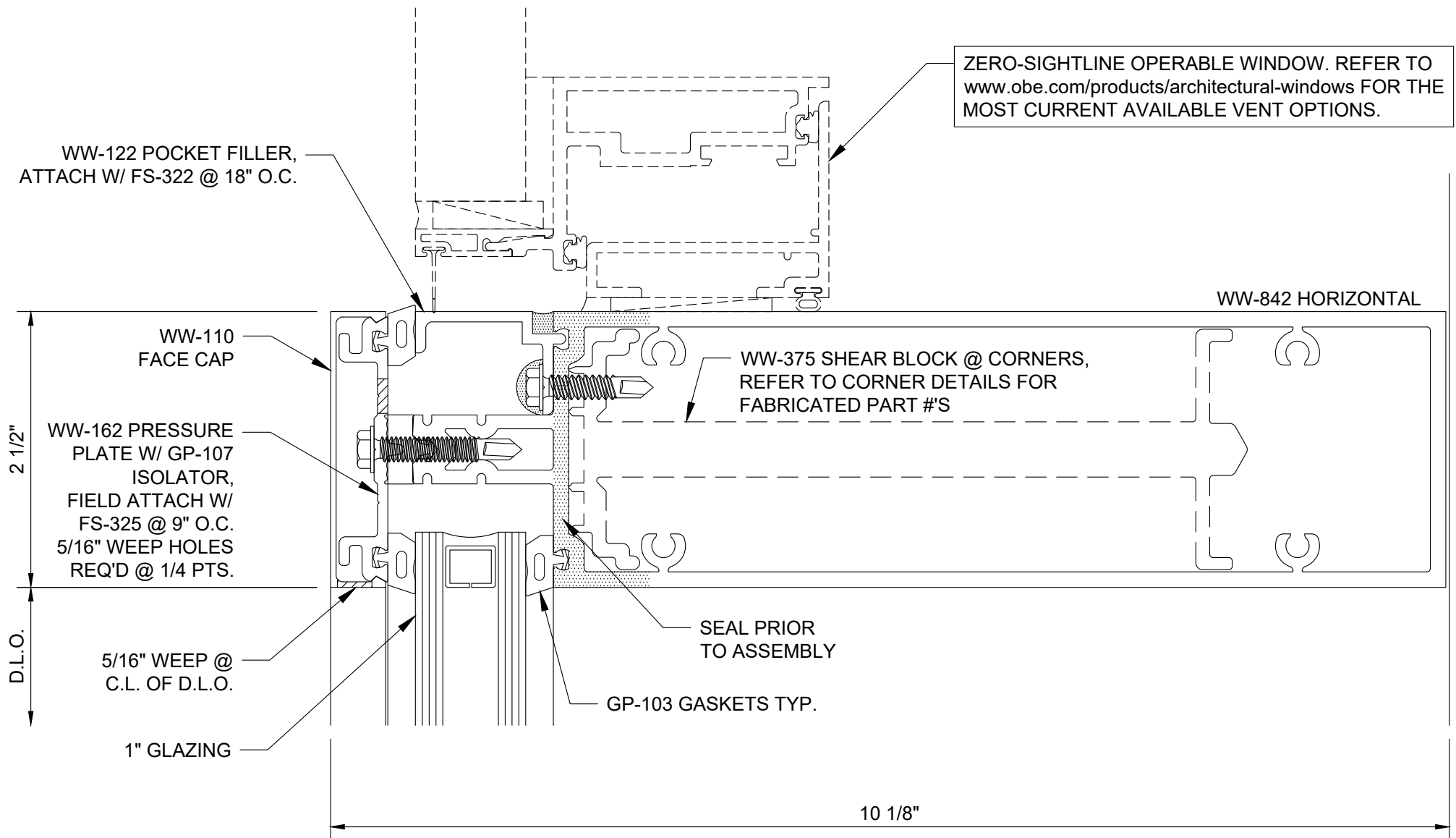
**Reliance™-SS**  
**Intermediate Horizontal - H9005**



**Reliance™-SS**  
**Horizontal @ Vision over Spandrel - H9006**

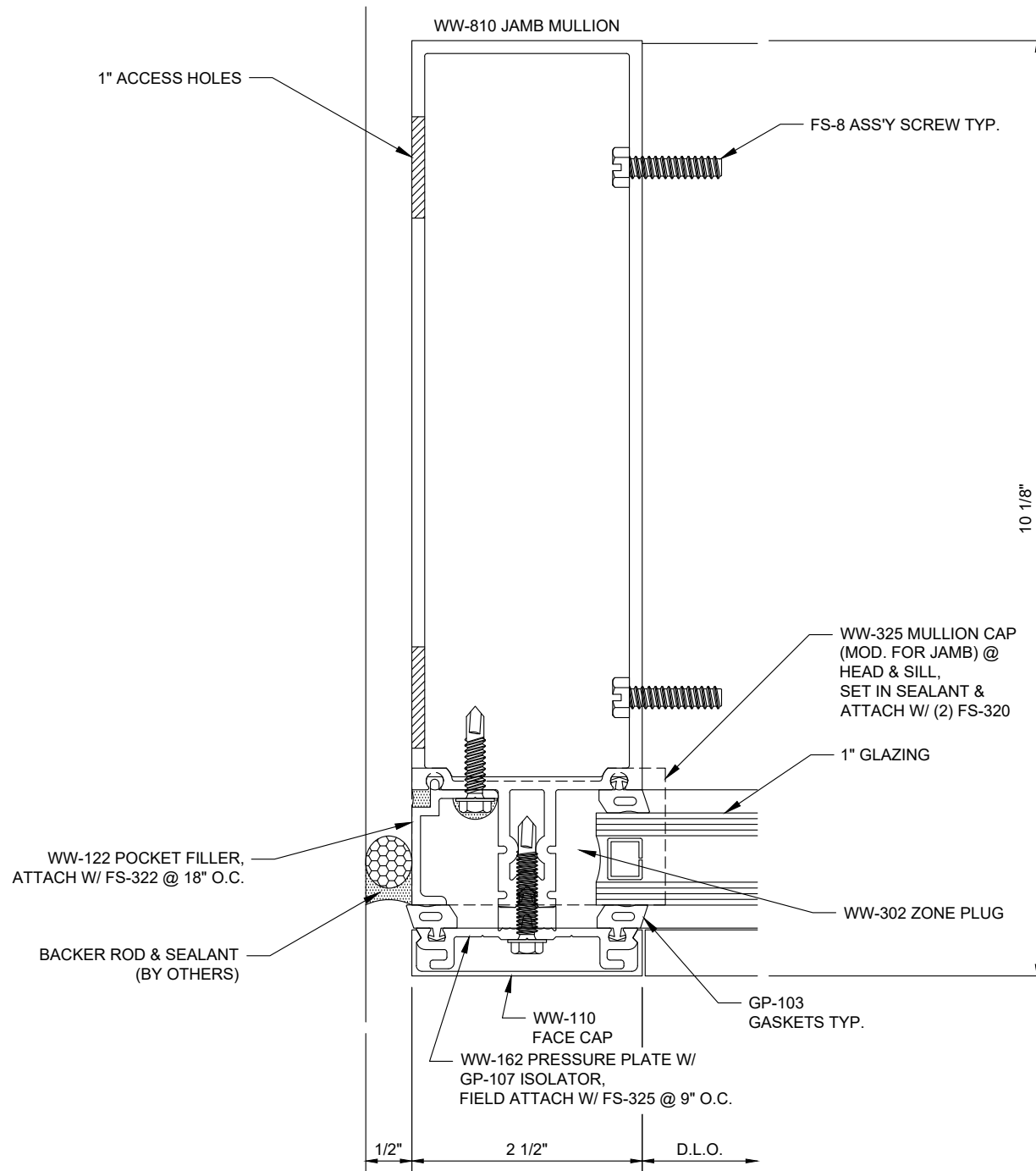


**Reliance™-SS**  
**Horizontal at Operable Window (Pocket Frame) - H9092**

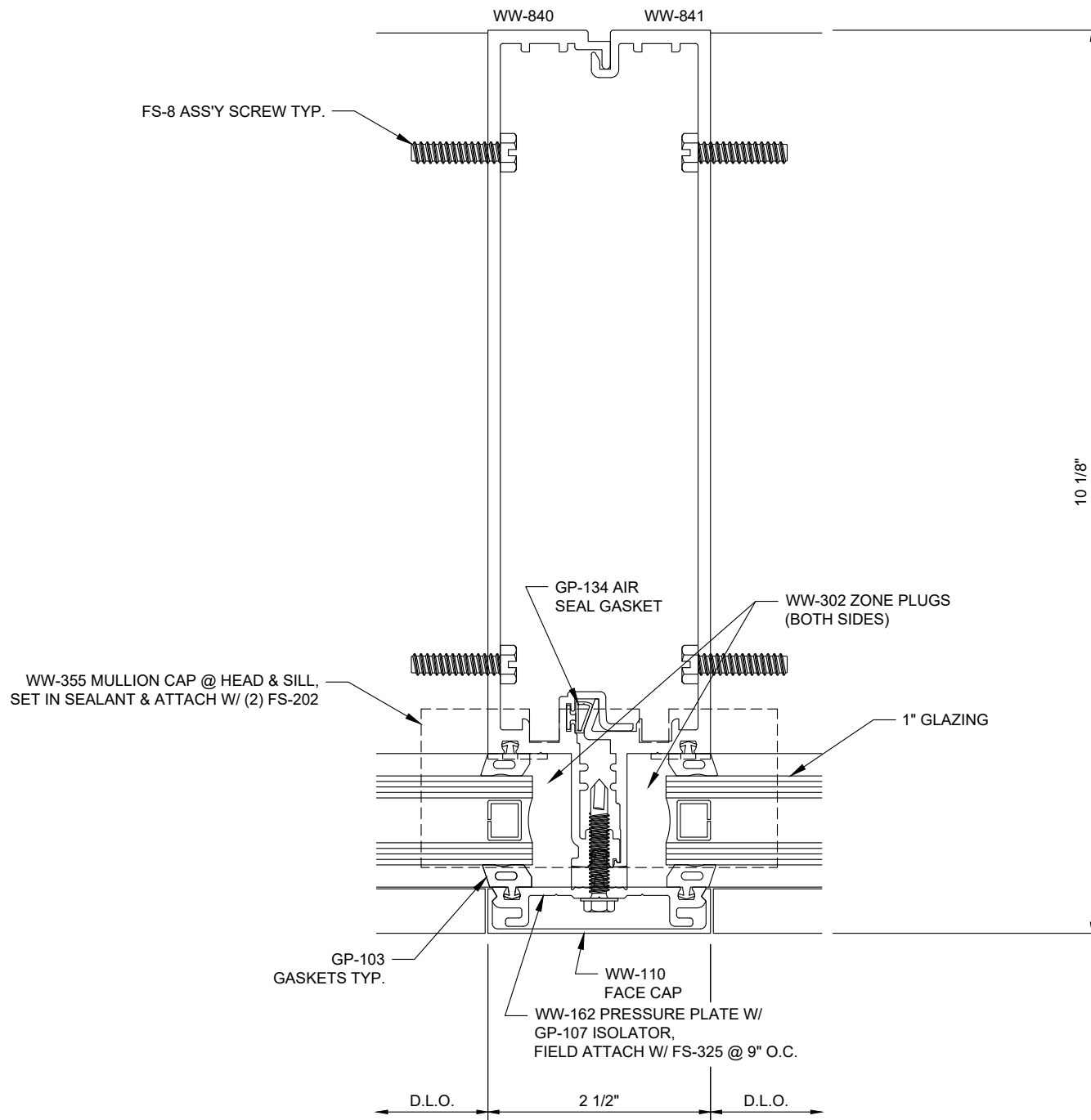


**Reliance™-SS**  
**Horizontal at Operable Window (Flat Frame) - H9096**

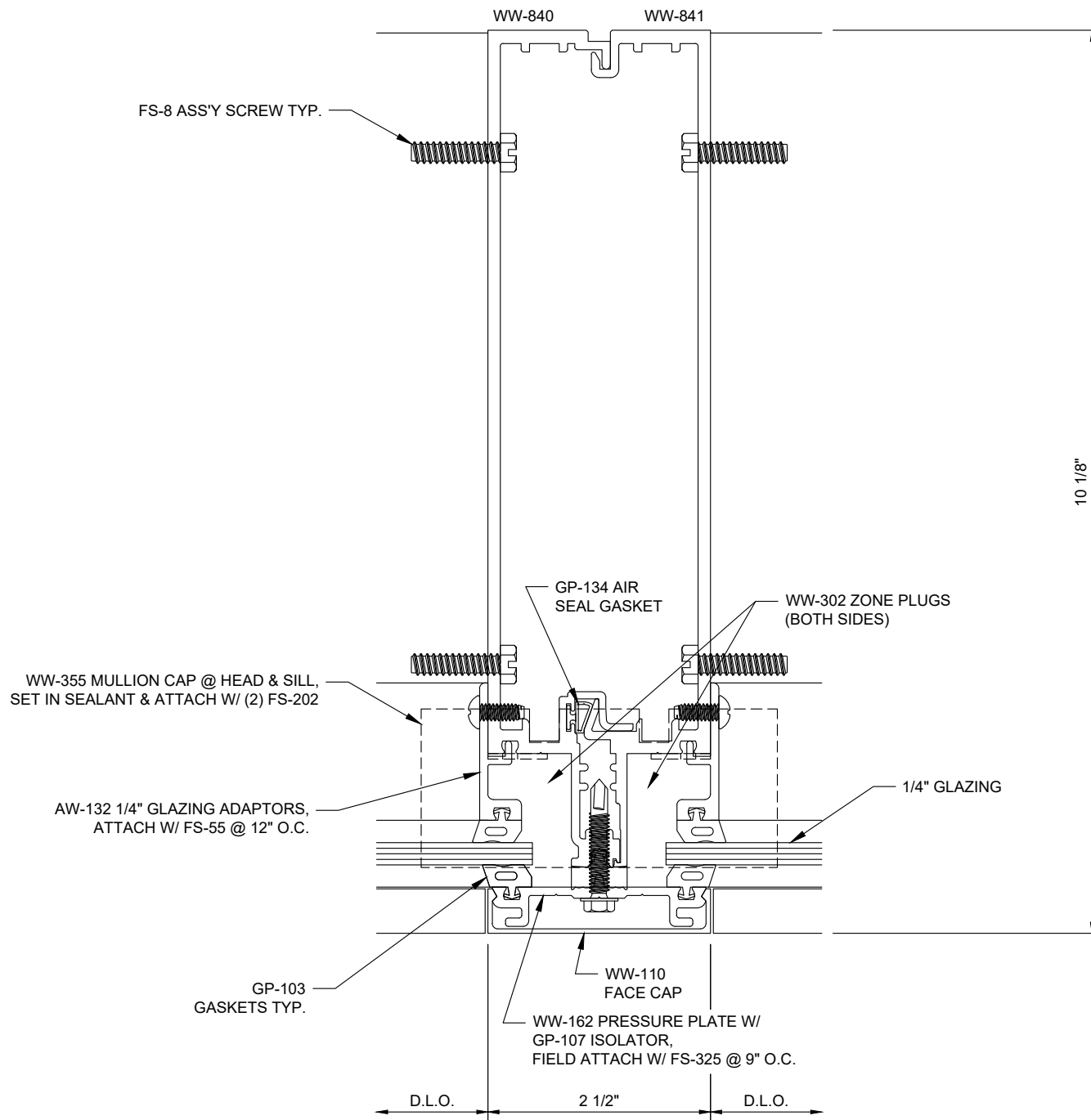




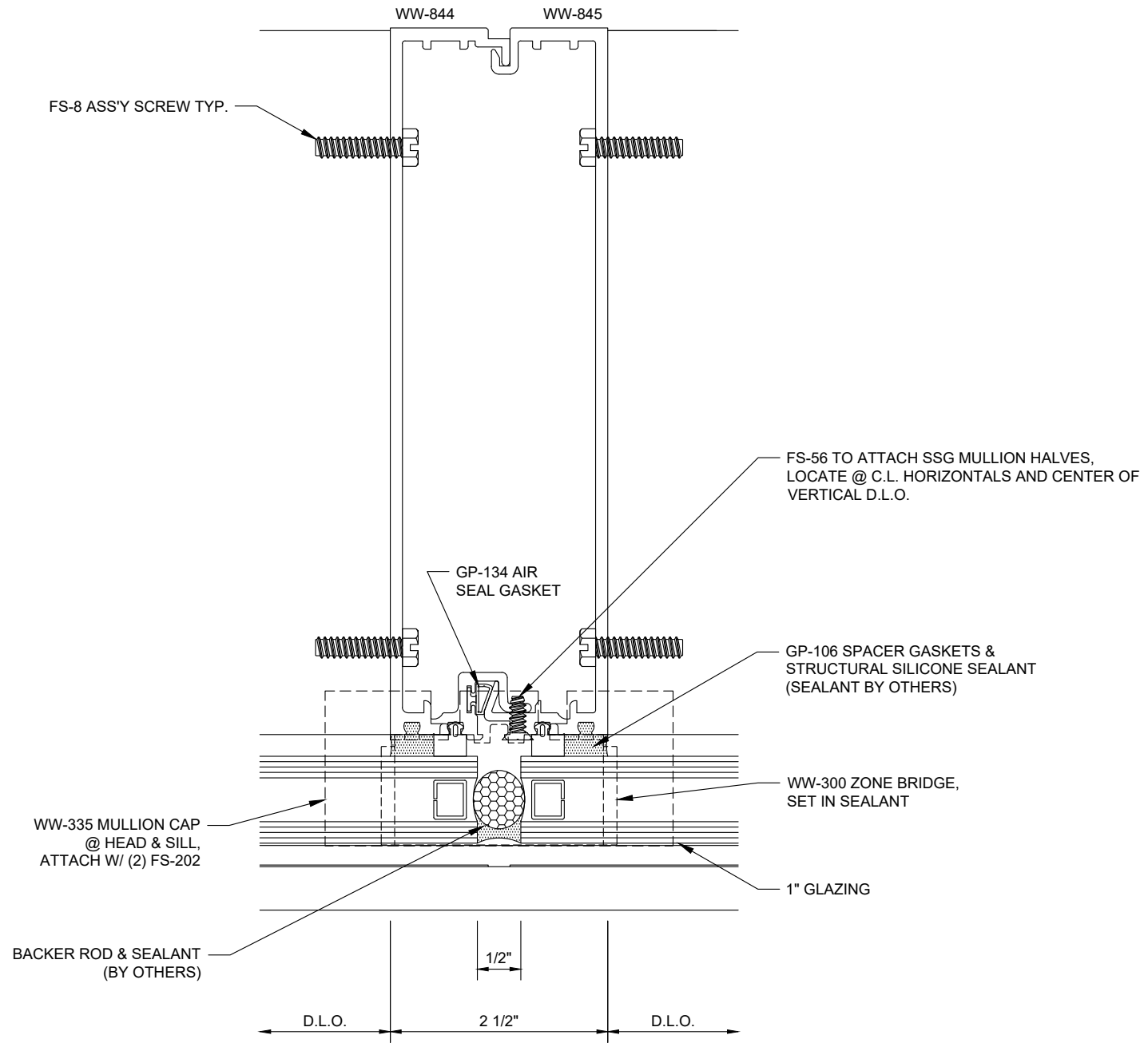
## Reliance™-SS Jamb Vertical - V9001



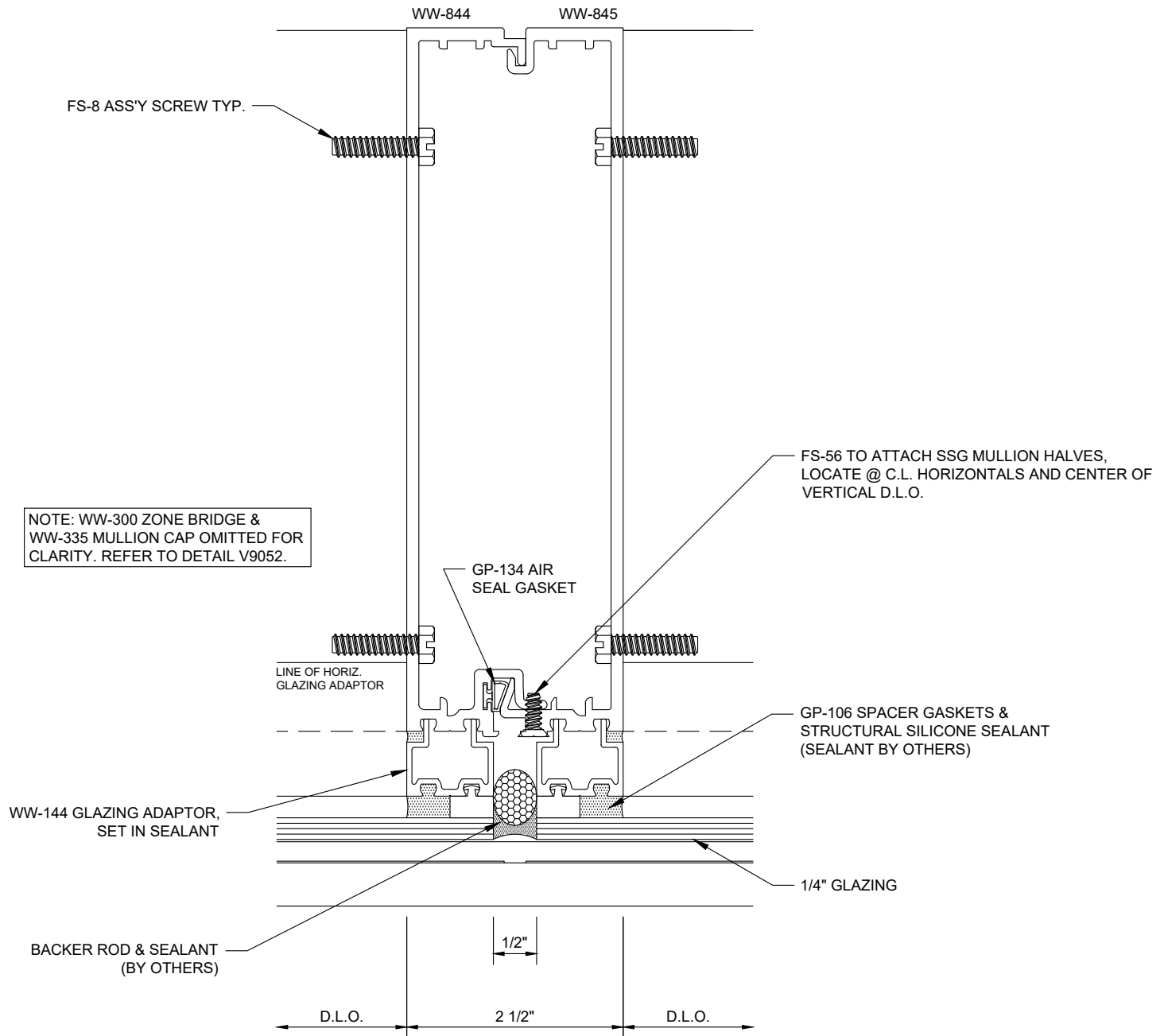
**Reliance™-SS**  
**Intermediate Vertical - V9002**



**Reliance™-SS**  
**Intermediate Vertical at Spandrel - V9003**

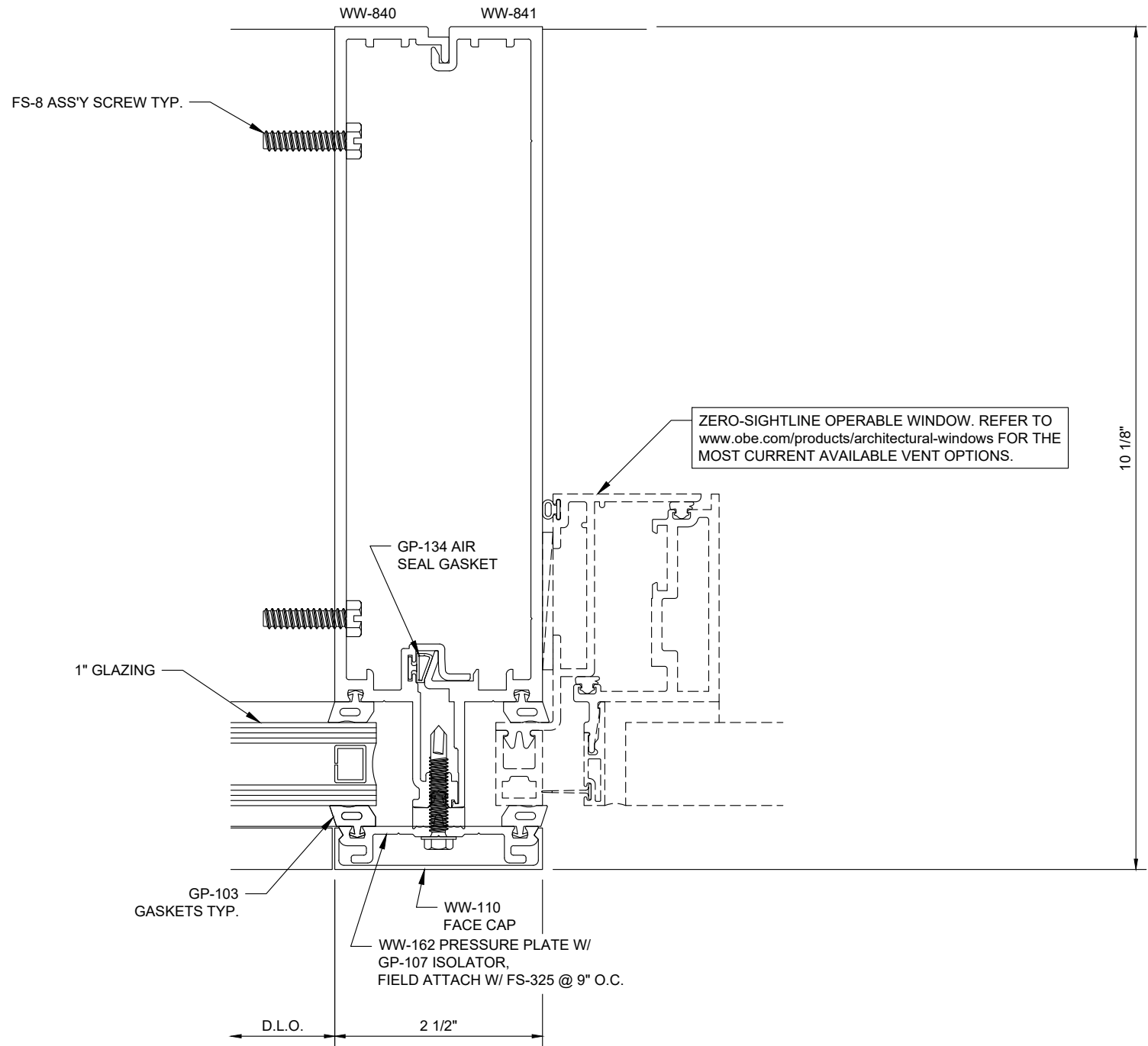


## Reliance™-SS SSG Vertical - V9052

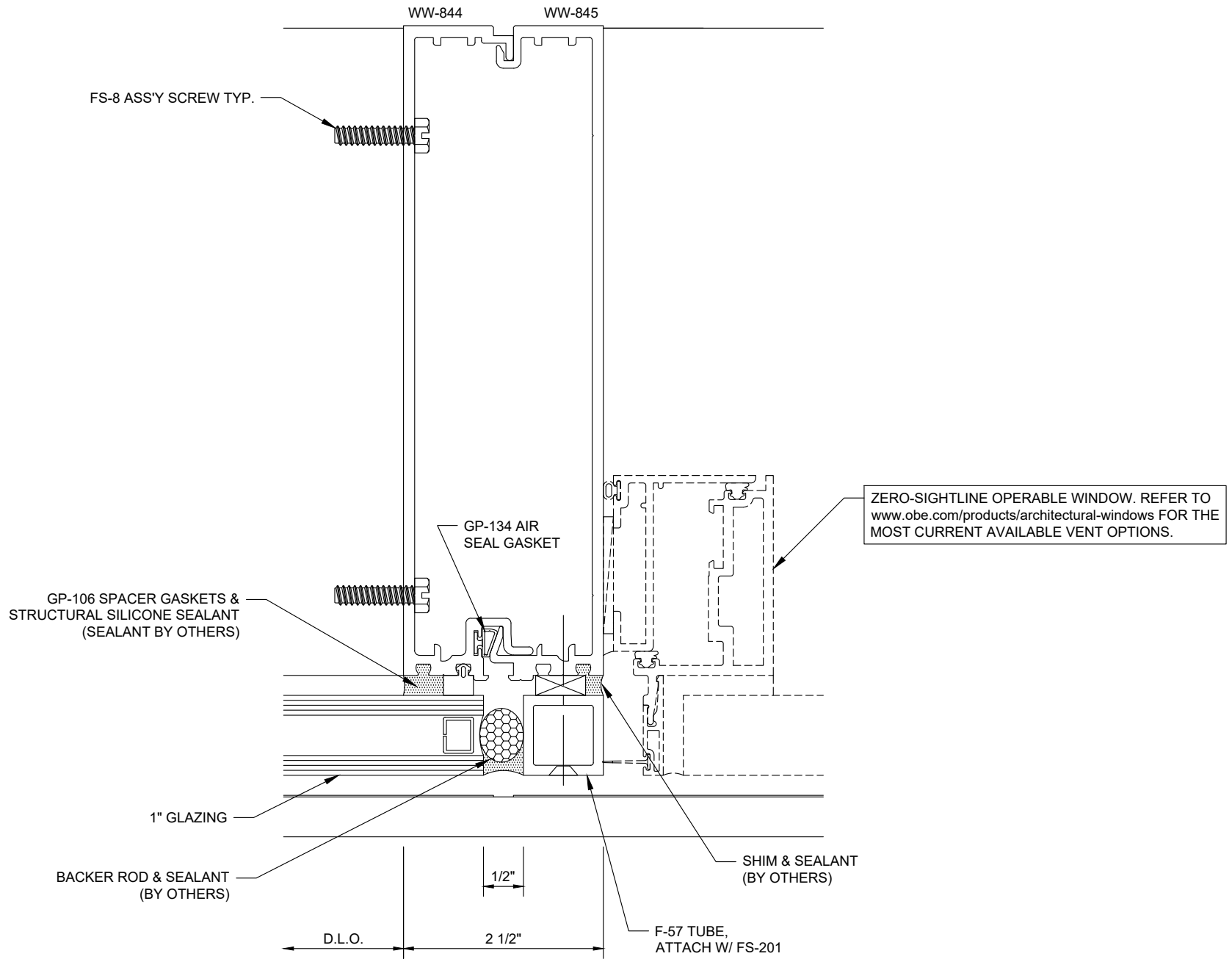


## Reliance™-SS

### SSG Vertical at Spandrel - V9057

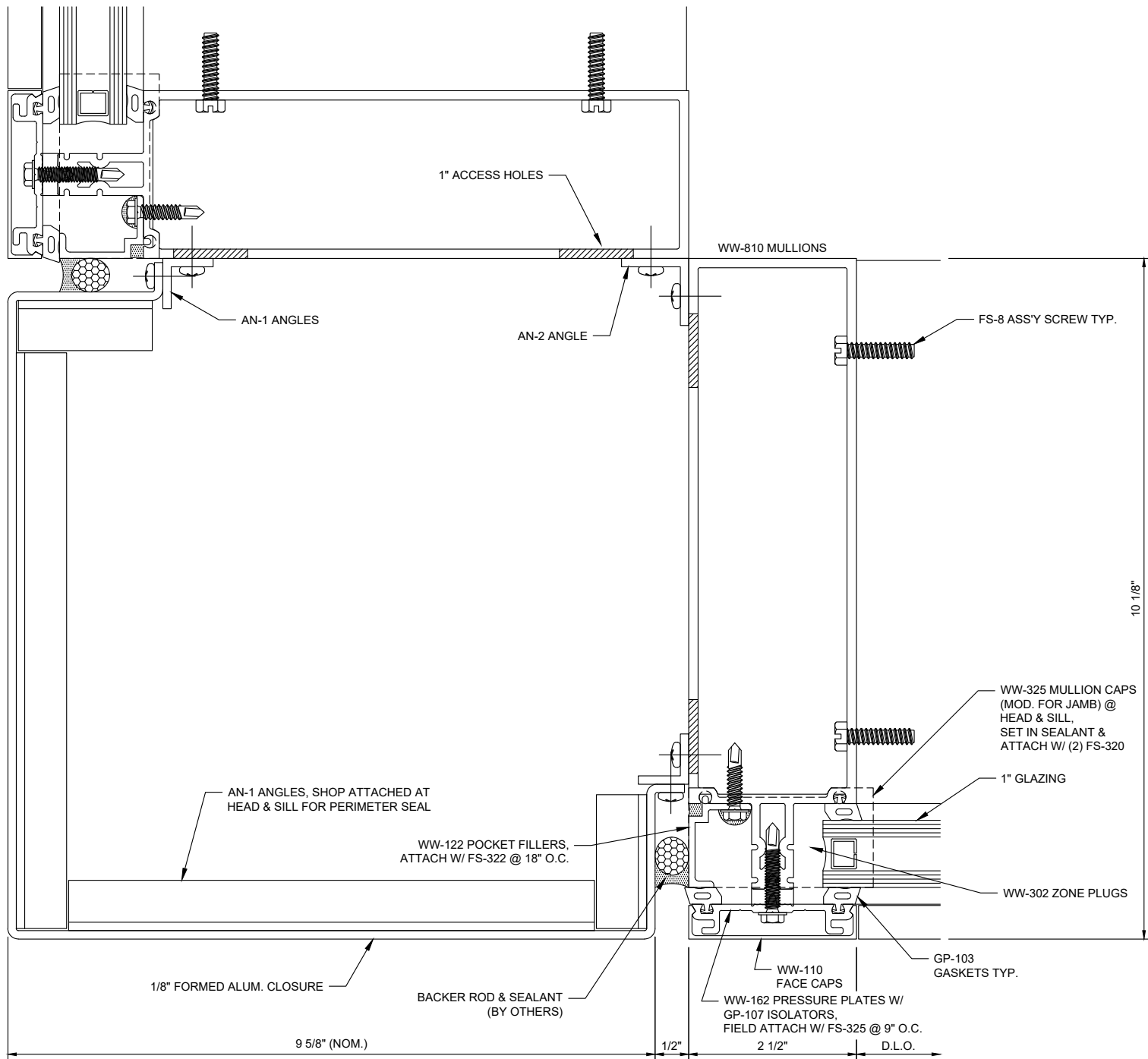


**Reliance™-SS**  
**Vertical at Operable Window - Pocket Frame - V9091**



## Reliance™-SS

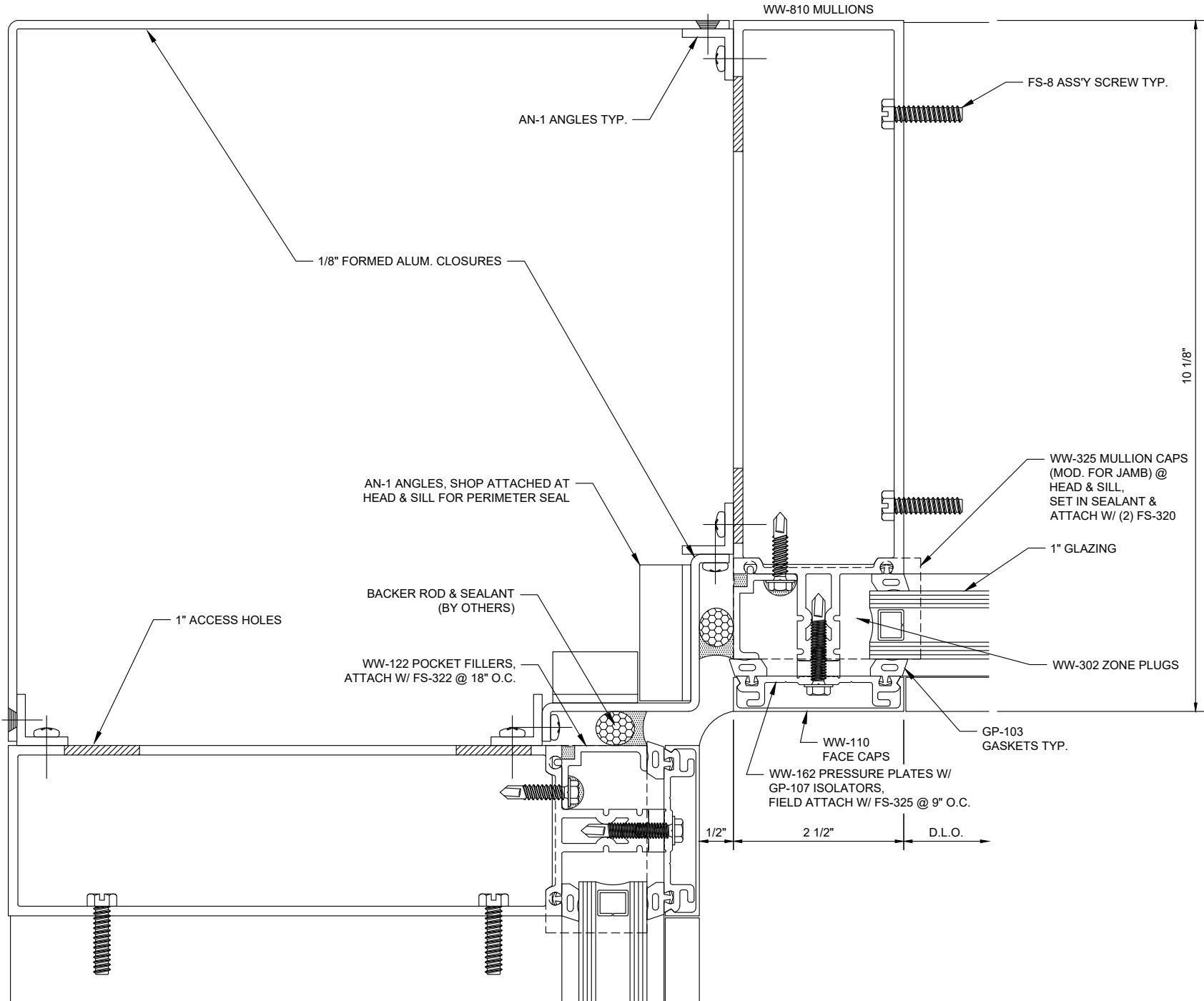
### SSG Vertical at Operable Window - V9092



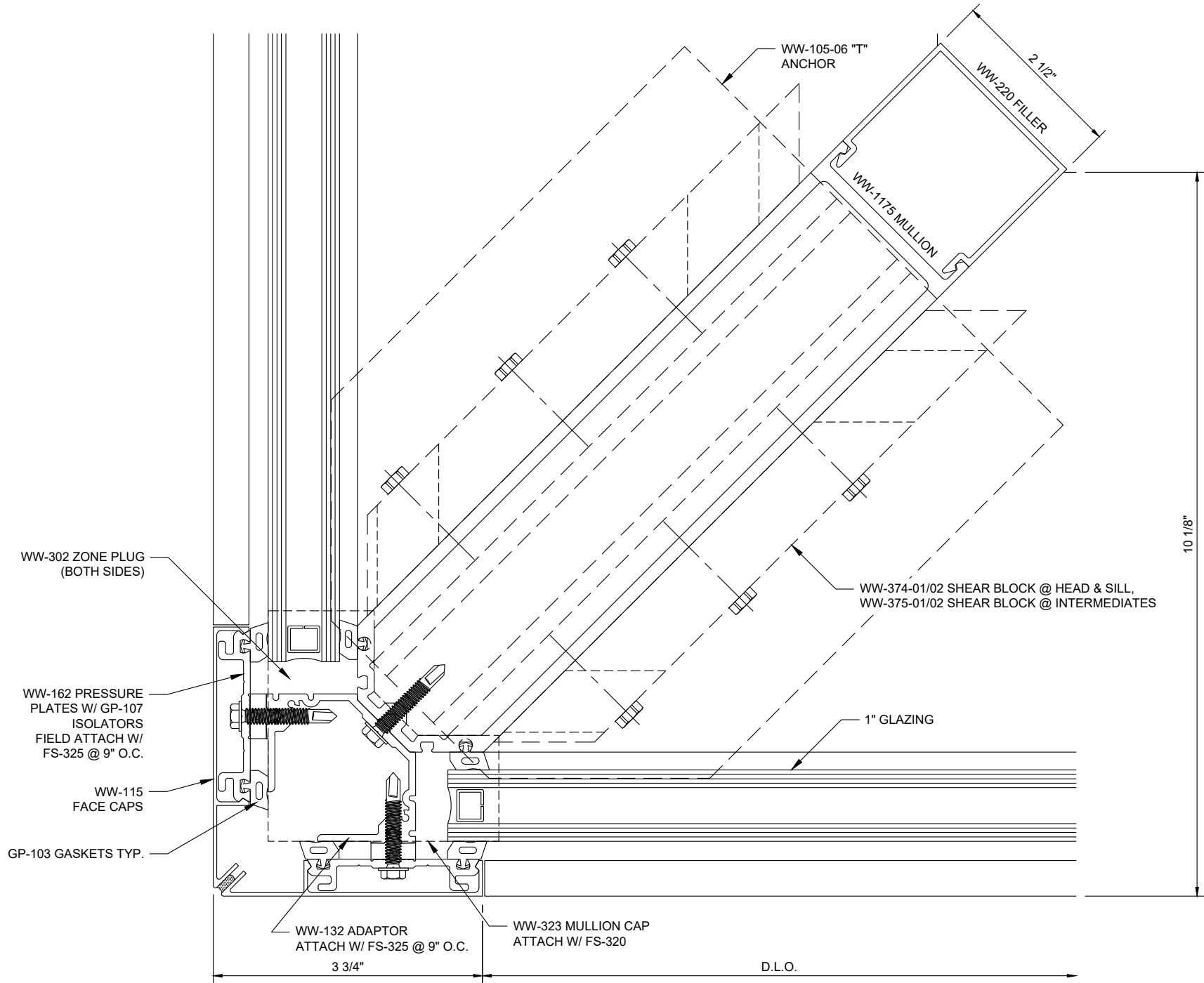
# Reliance™-SS

## 90° Outside Corner - V9015

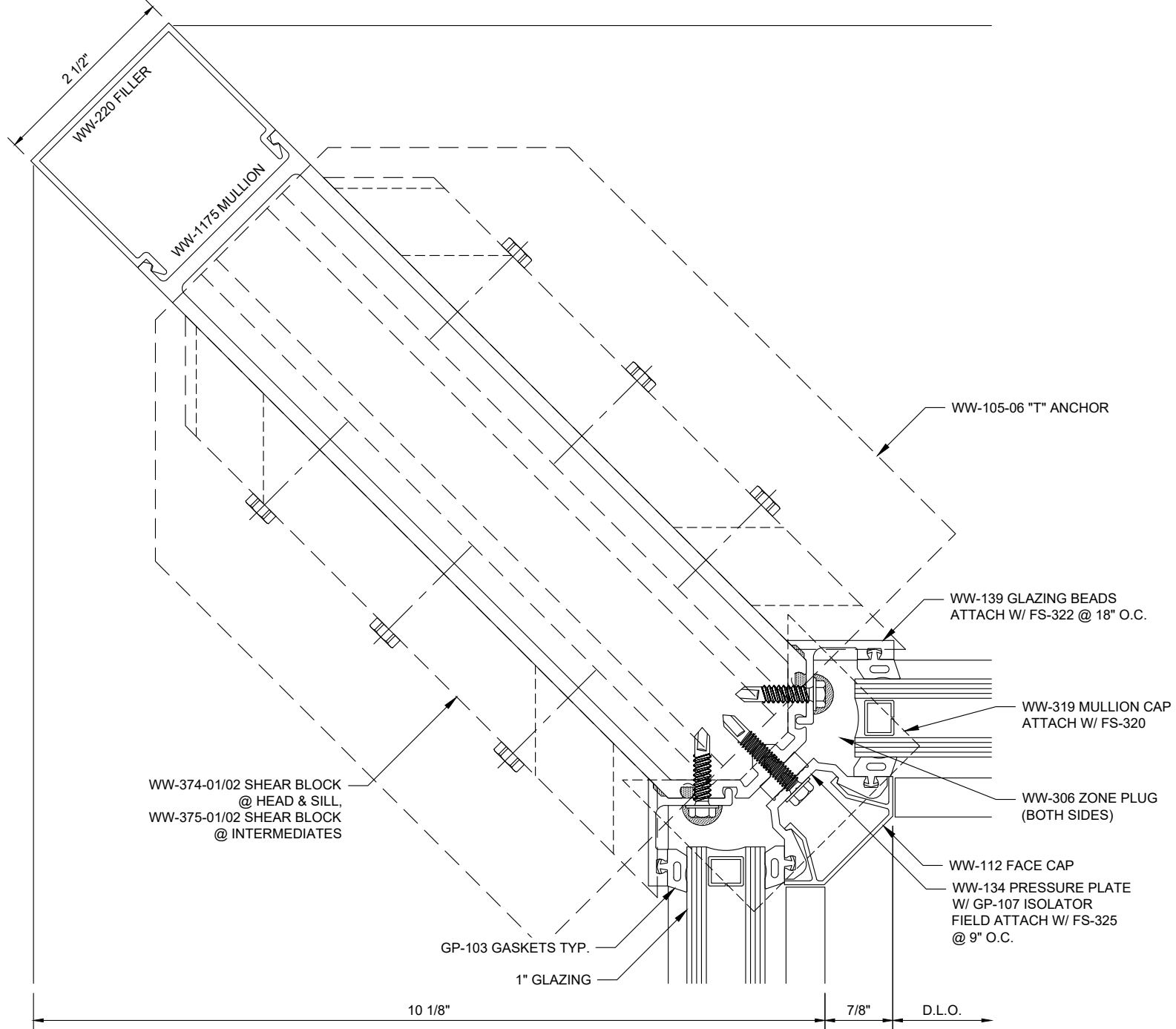




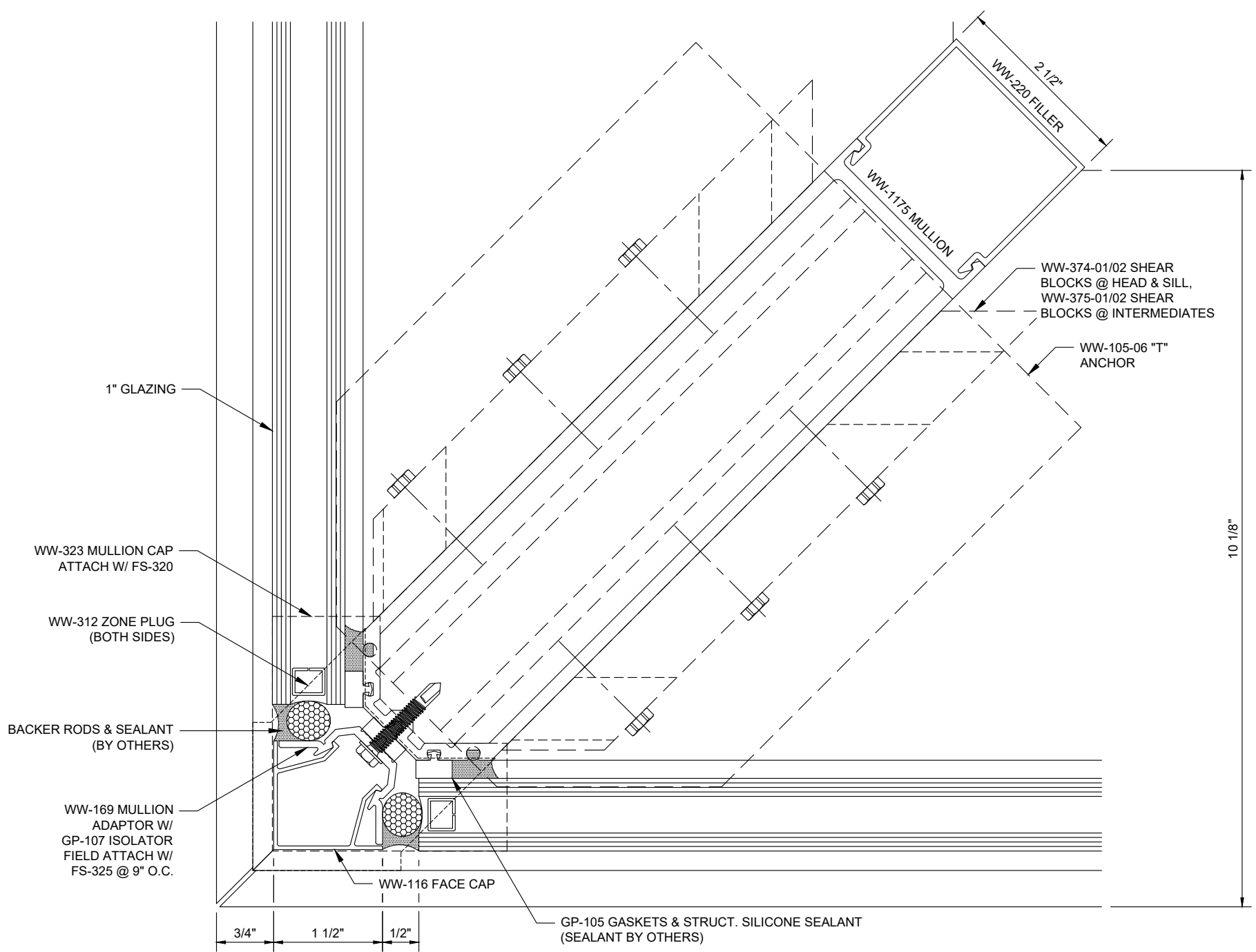
**Reliance™-SS**  
**90° Inside Corner - V9017**



**Reliance™-SS**  
**90° Outside Corner at Vision - V9021**

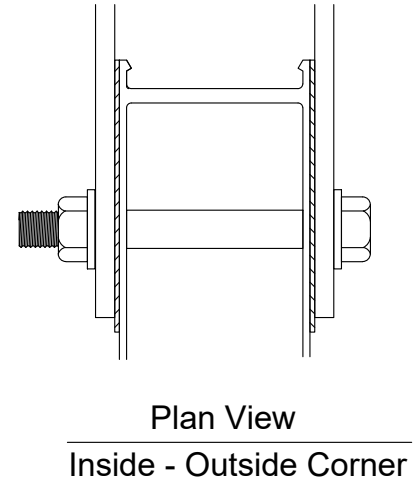
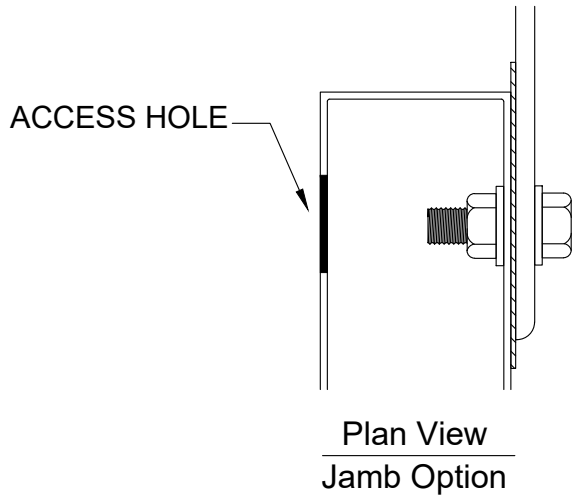
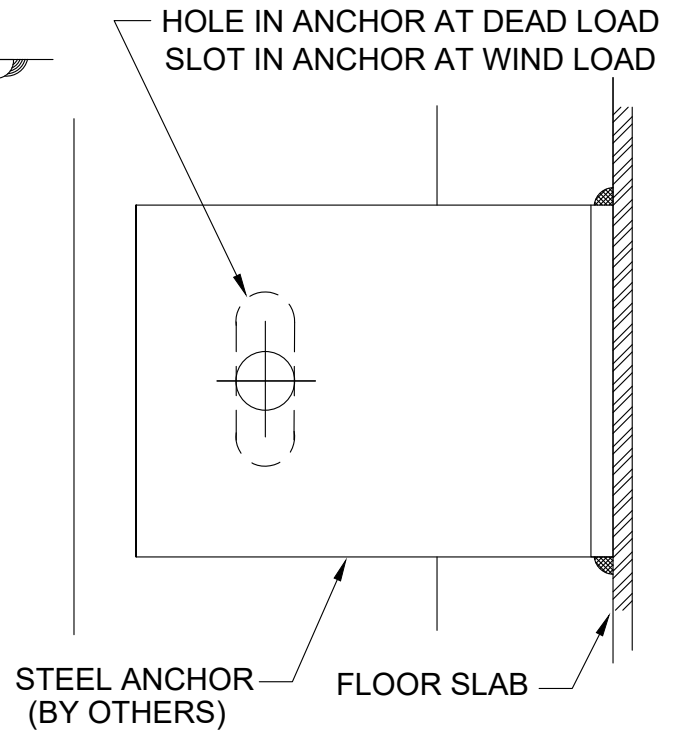
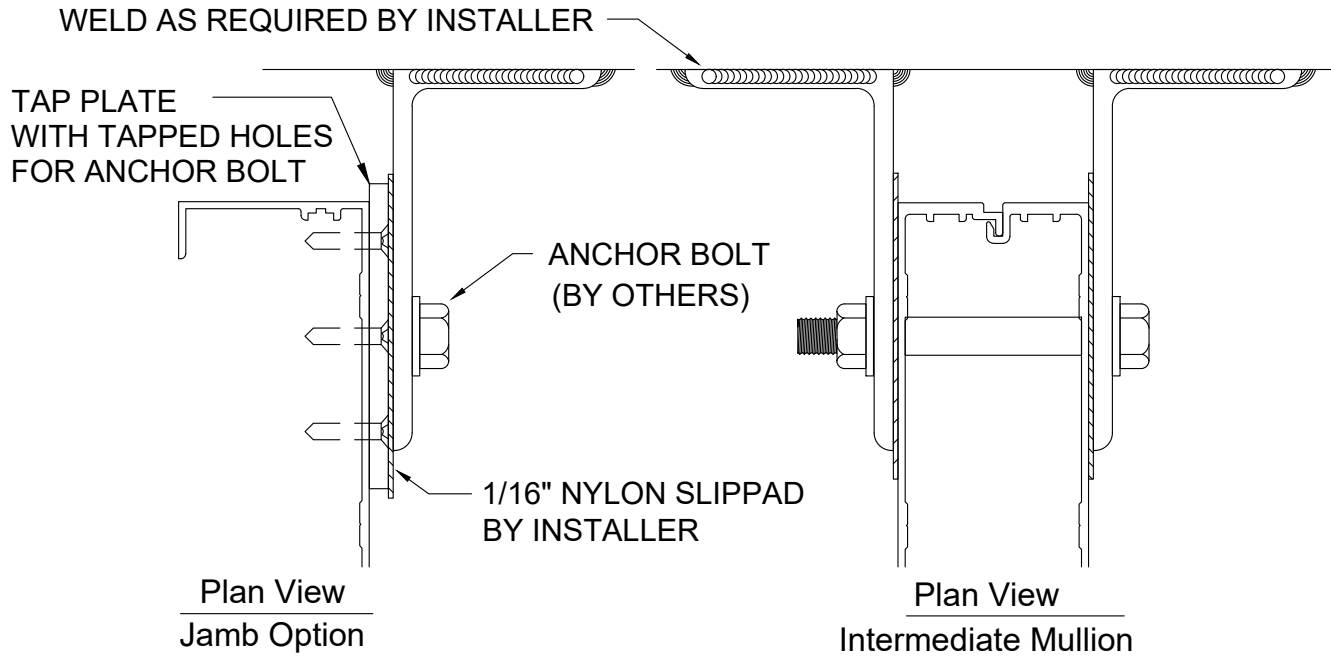


**Reliance™-SS**  
**90° Inside Corner at Vision - V9025**

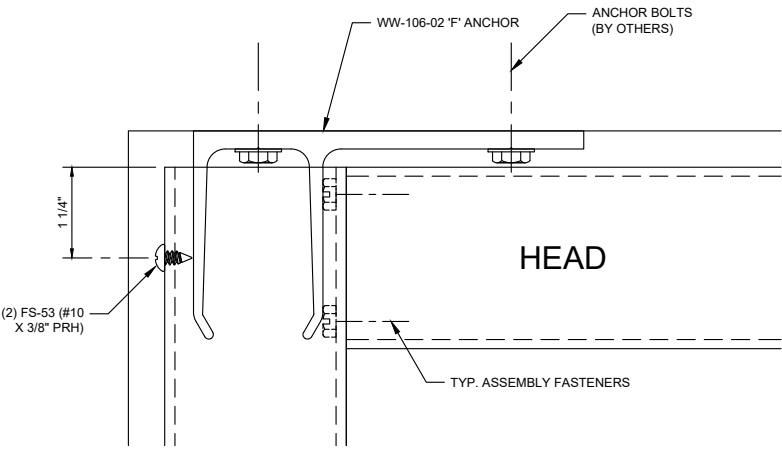


## Reliance™-SS

### 90° SSG Corner at Vision - V9071

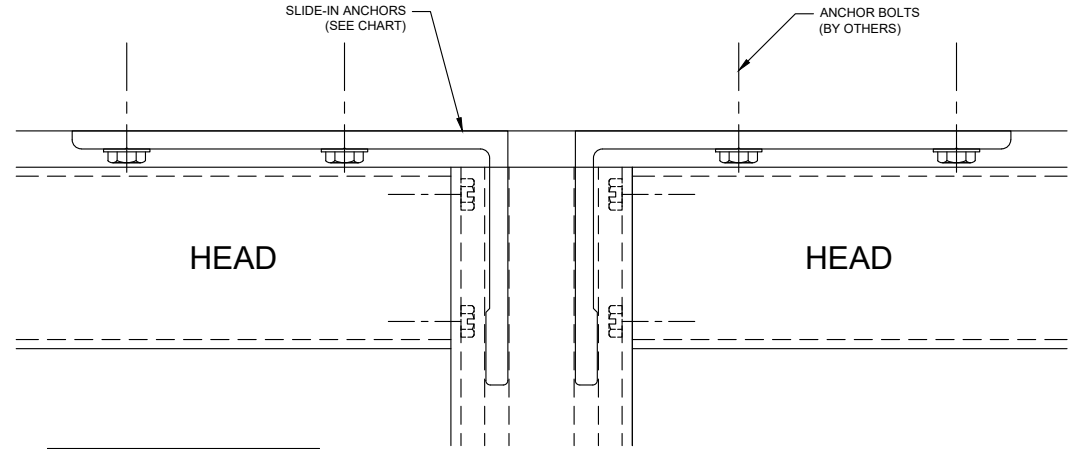


## Reliance™ -SS Curtain Wall Steel Anchoring - H8842



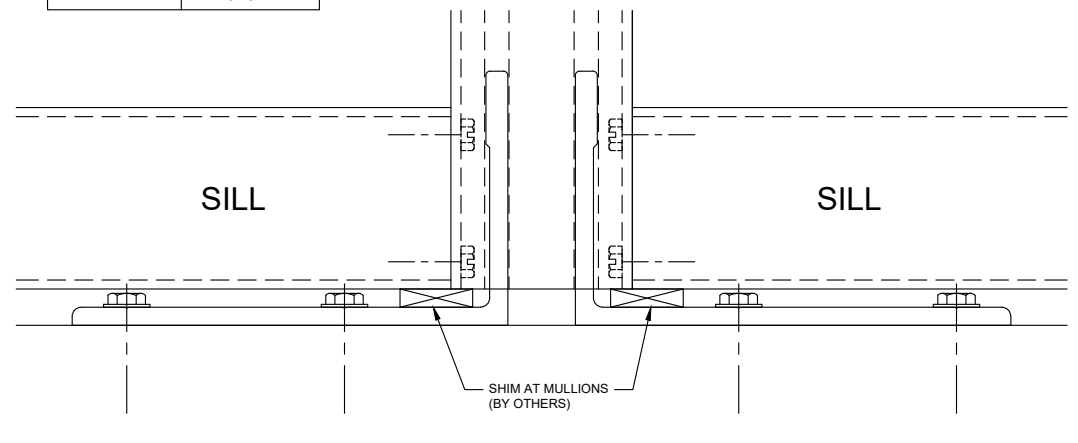
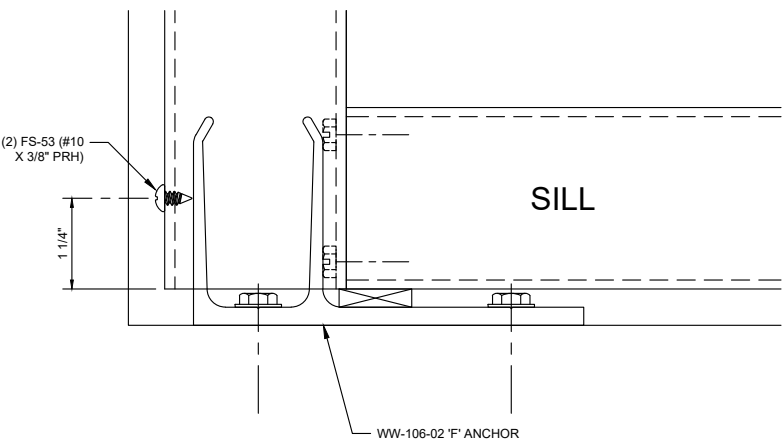
**JAMB VERTICAL (WW-810)**

NOTE: ANCHOR BOLT SIZE AND DESIGN DETERMINED PER PROJECT BY STRUCTURAL ENGINEER.



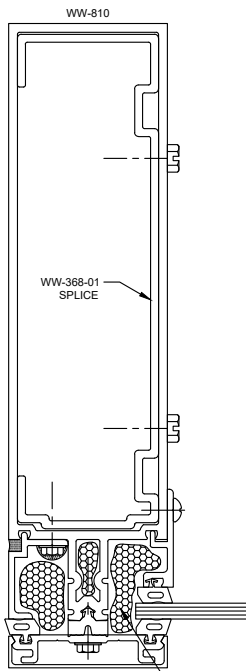
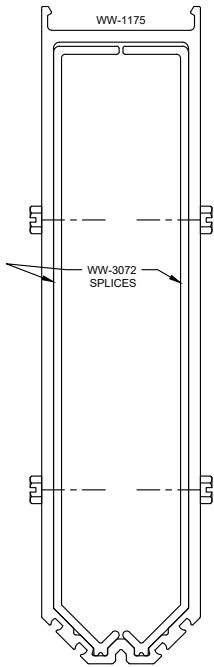
**INTERMEDIATE VERTICALS**

| WW-174 SLIDE-IN ANCHOR CHART |                 |
|------------------------------|-----------------|
| PART NO.                     | MULLION         |
| WW-174-07                    | WW-840 / WW-841 |
| WW-174-08                    | WW-844 / WW-845 |



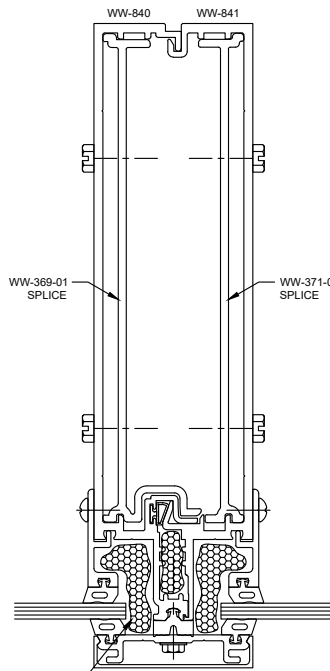
# Reliance™-SS

## Mullion Anchoring at Head/Sill - H9025

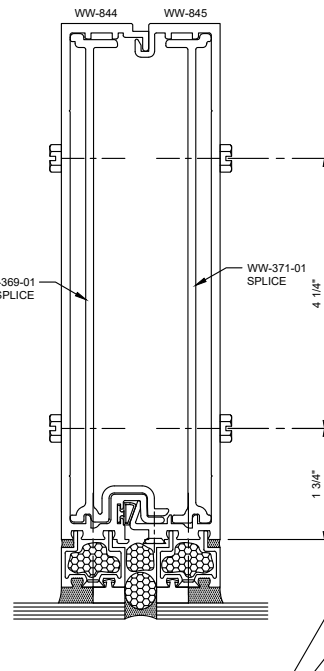


JAMB MULLION

USE BACKER ROD AS REQUIRED TO FILL ENDS OF CAVITIES AND SEAL OVER AT SPLICE JOINTS

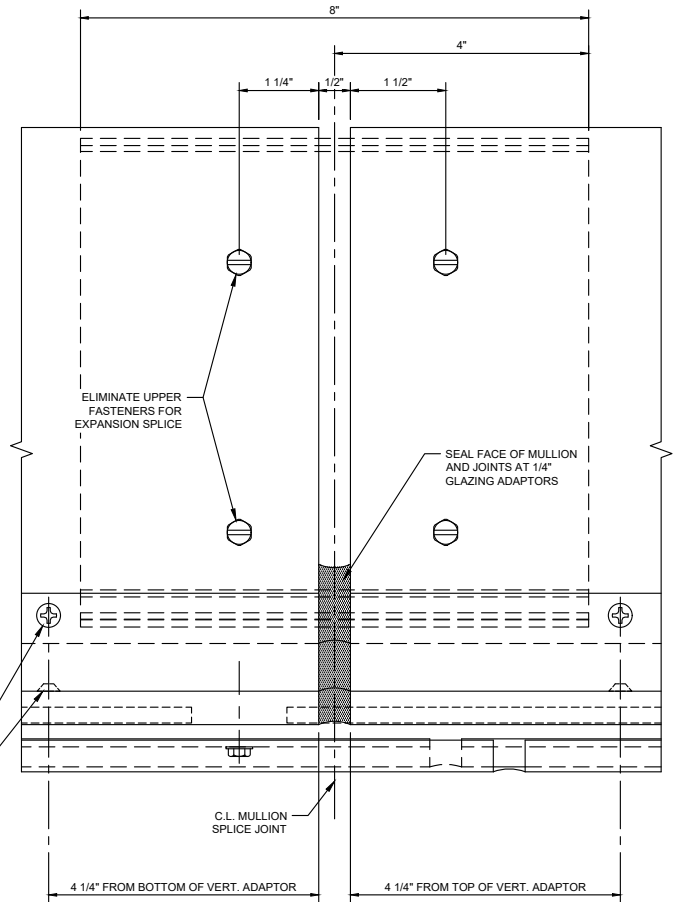


CAPTURED MULLION



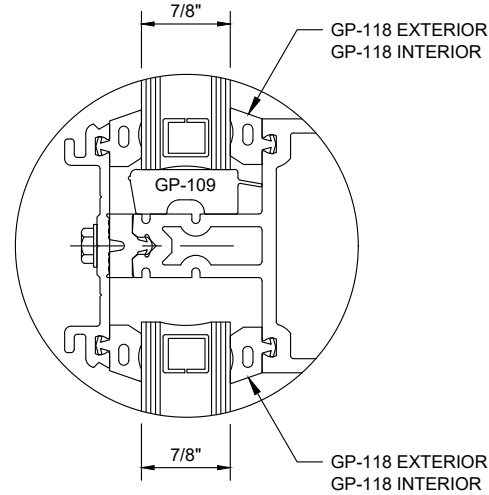
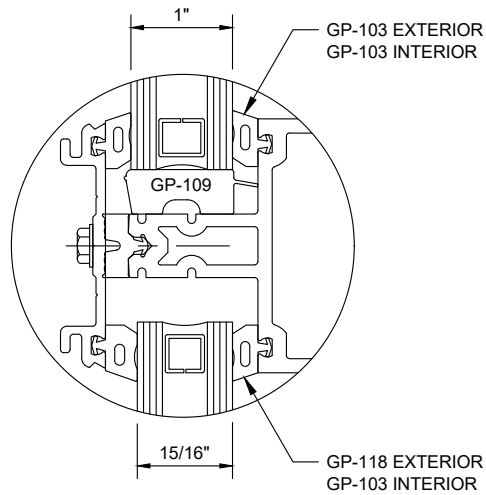
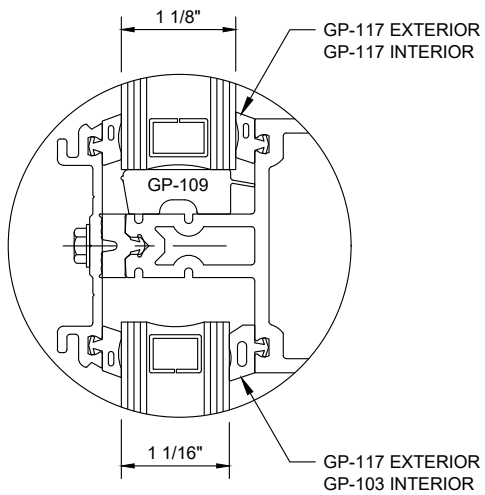
SSG MULLION

CAPTURED/SSG 1/4" GLAZING ADAPTOR FASTENERS



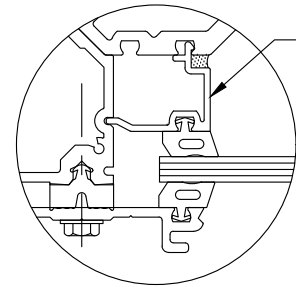
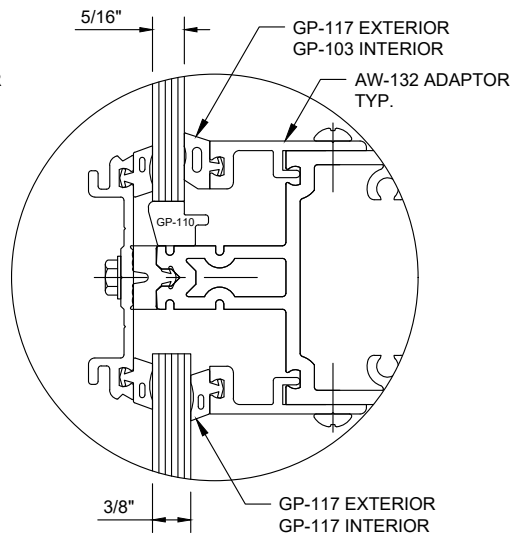
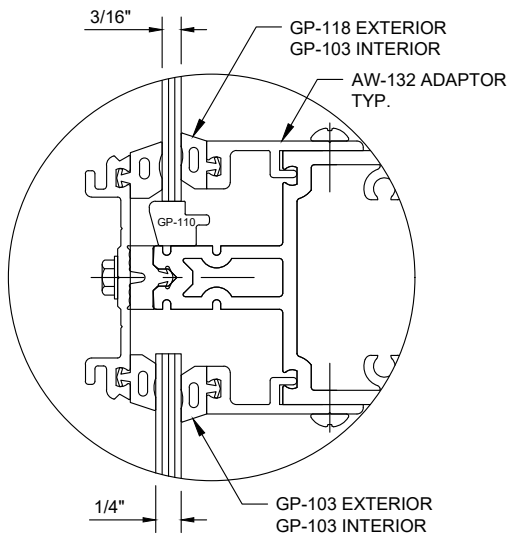
REFERENCE INSTALLATION MANUAL FOR ADDITIONAL SPLICE INFO

## Reliance™-SS Mullion Splice - H9043

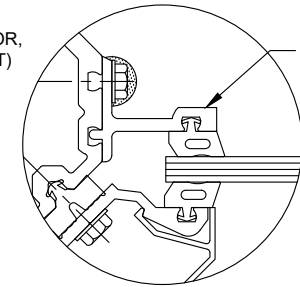


**NOTES:**

1. Glass pocket = 1-1/2" Typical & 3/4" with Glazing Adaptor
2. Adaptors set in sealant (sealant by others) & attached w/ FS-55 @ 12" O.C. & 4-1/4" from each end unless noted otherwise..



90° OUTSIDE CORNER



90° INSIDE CORNER

**Reliance™-SS**  
**Glazing Options - H9048**