

# Oldcastle BuildingEnvelope®

1-866-Oldcastle (653-2278) - [www.obe.com](http://www.obe.com)

## RELIANCE™ CURTAIN WALL 2-1/2" X 7-3/4" W/ 1-1/4" TYPICAL INFILL & FRP PRESSURE PLATE

*(Drawing numbers---i.e., H4401---used as CAD detail reference only)*

### Elevation

V4457 SSG Vertical - Spandrel  
V4359 SSG Vertical at Operable Window

### Horizontal Details

H4401 Head  
H4404 Sill  
H4405 Intermediate Horizontal  
H4408 Roll-over Horizontal  
H4409 Roll-under Horizontal  
H4418 Horizontal at Operable Window - Pocket Frame  
H4419 Horizontal at Operable Window - Flat Frame

### Corner Details

V4415 90° Outside Corner - 2 Mullion  
V4417 90° Inside Corner - 2 Mullion  
V4471 SSG 90° Outside Corner  
V4472 SSG 90° Outside Corner - Spandrel

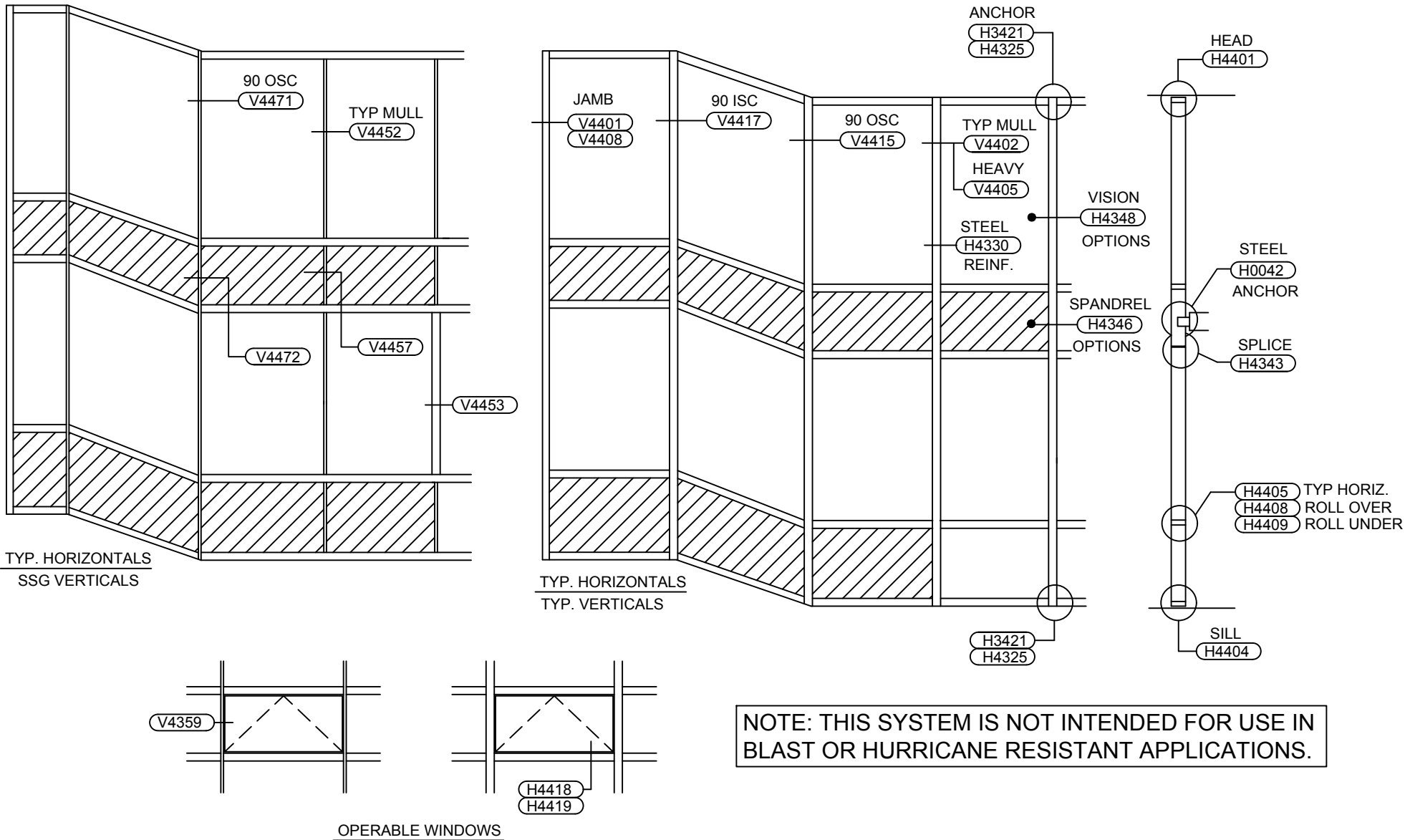
### Vertical Details

V4401 Jamb - Open Back  
V4402 Vertical - Typical  
V4405 Vertical - Heavy  
V4408 Jamb - Tubular  
V4452 SSG Vertical  
V4453 Vertical at SSG to Captured Transition

### Misc. Details

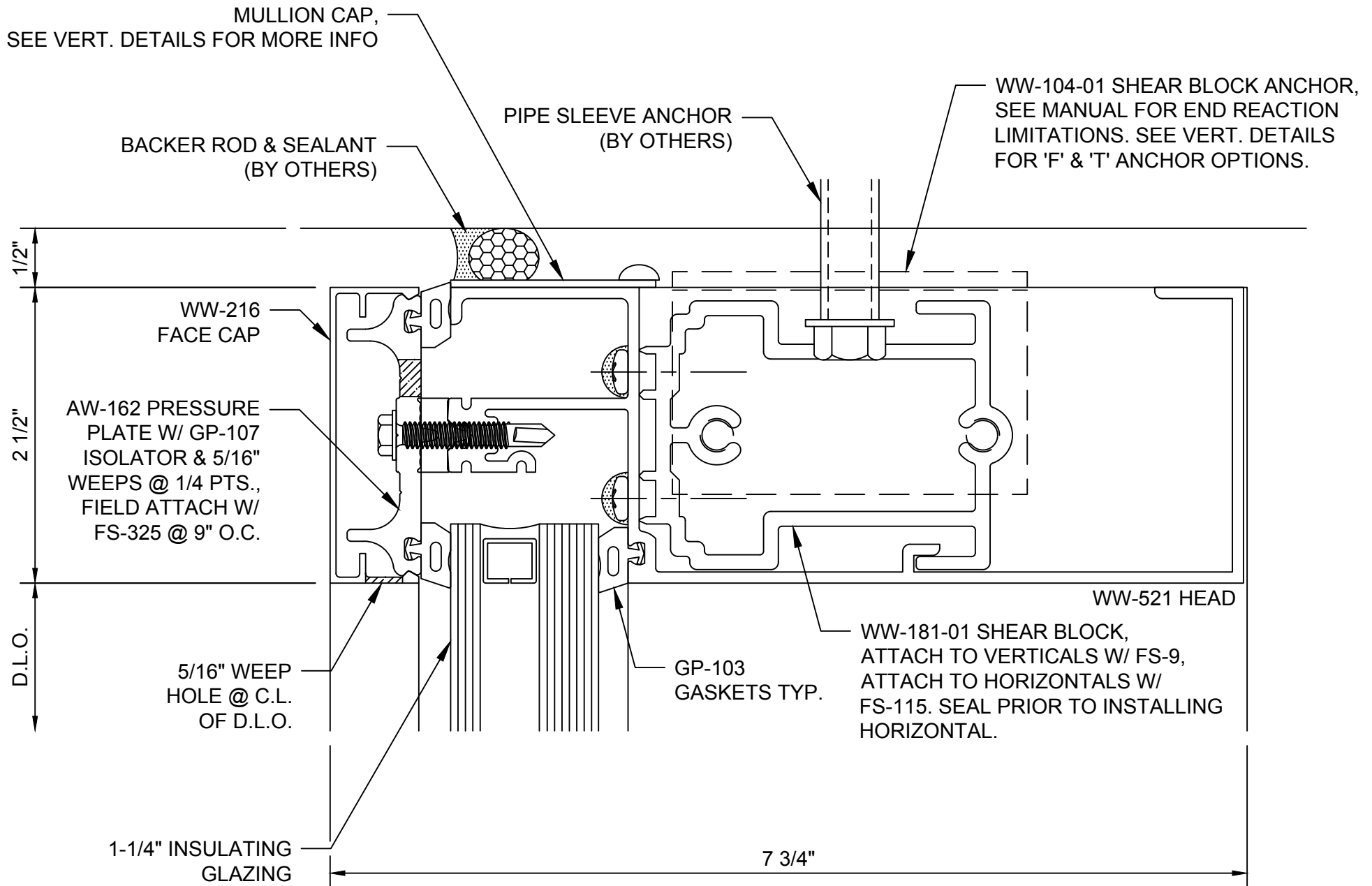
H0042 Steel Anchoring  
H3421 Shear Block Anchoring  
H4325 'F' & 'T' Mullion Anchoring  
H4330 Steel Reinforcement  
H4343 Mullion Splicing  
H4346 Spandrel Glazing Options  
H4348 Vision Glazing Options

## Table of Contents

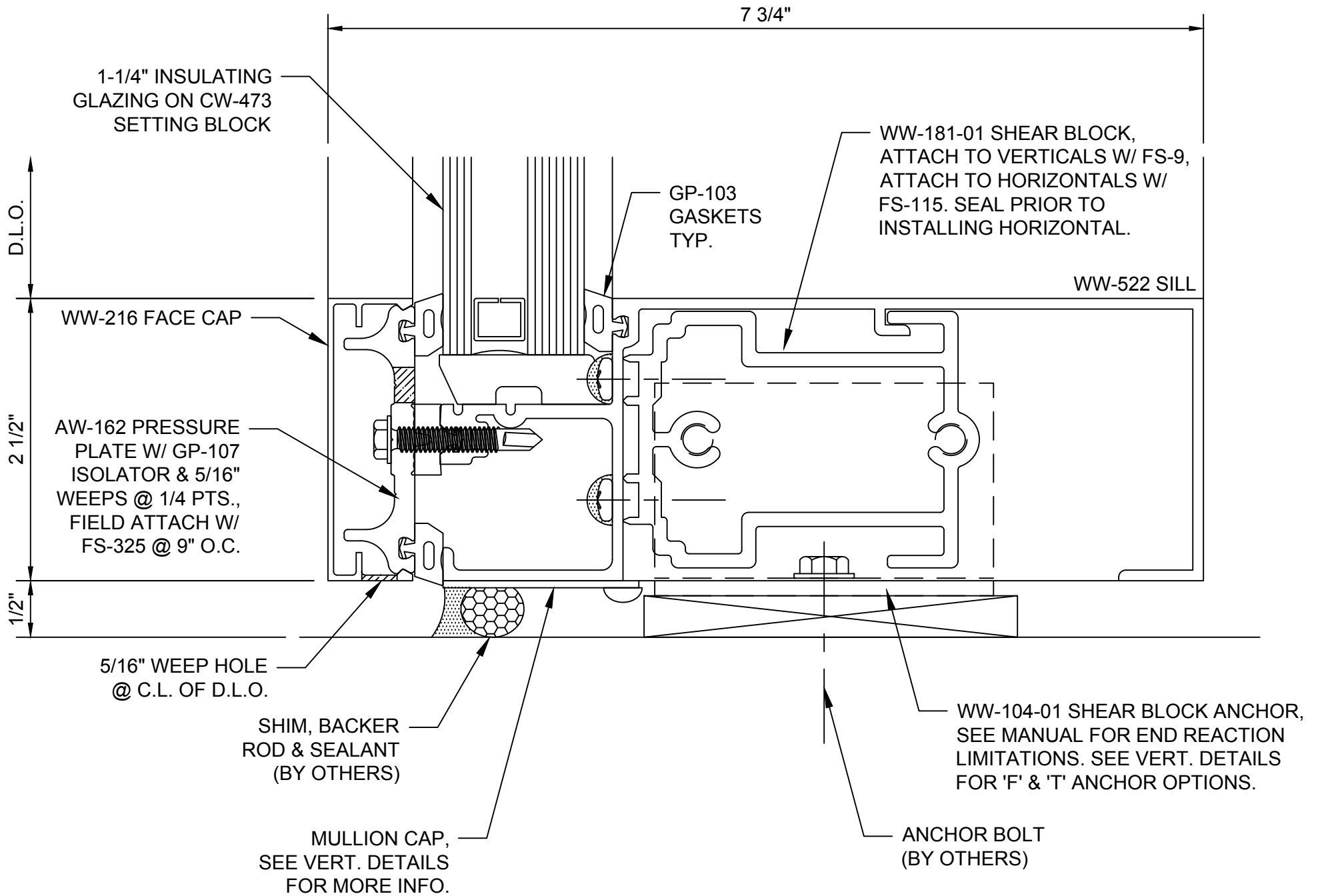


## Reliance™ Curtain Wall

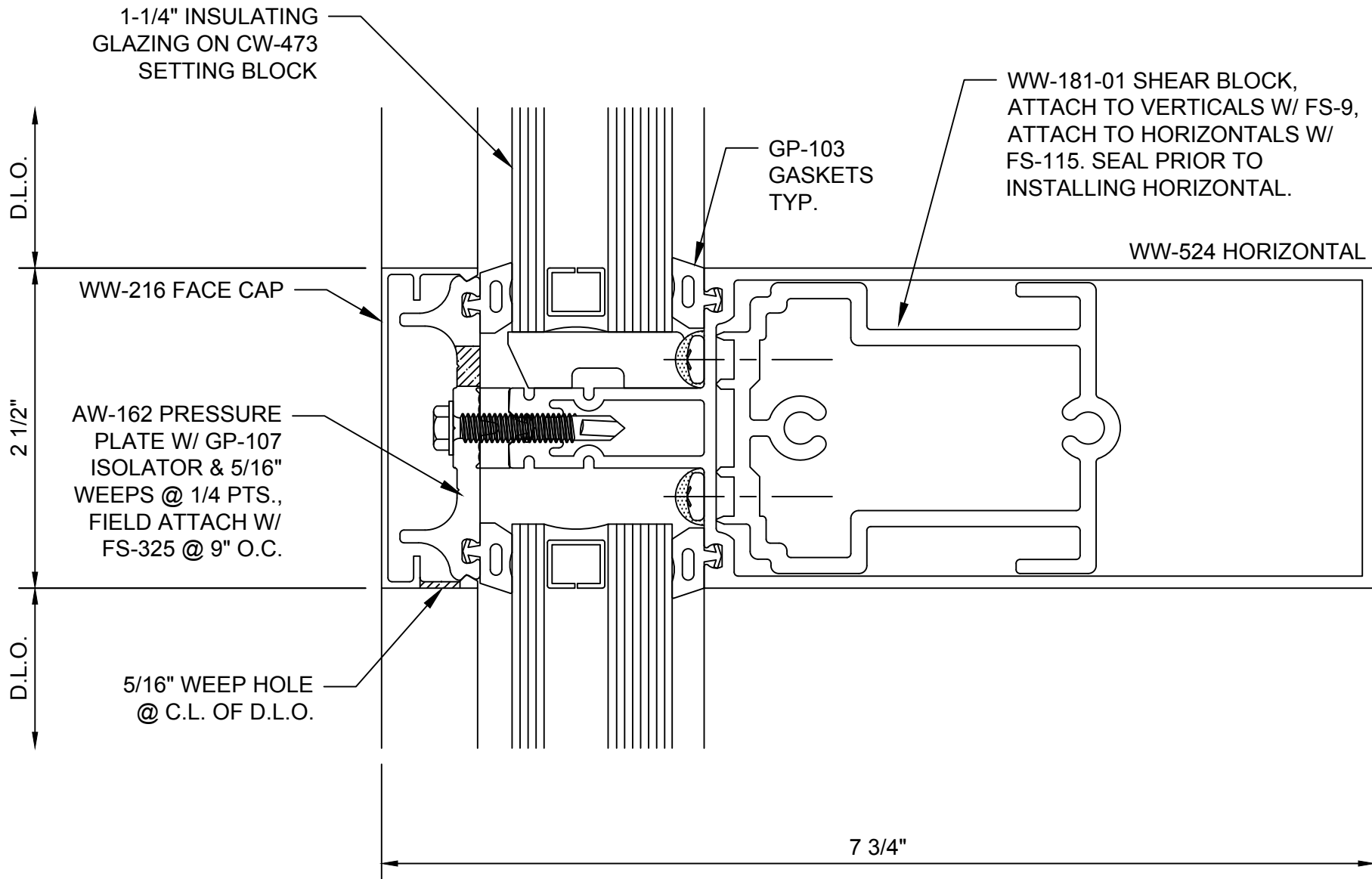
### 2-1/2" x 7-3/4" w/ 1-1/4" Glazing & FRP Pressure Plate - Elevation



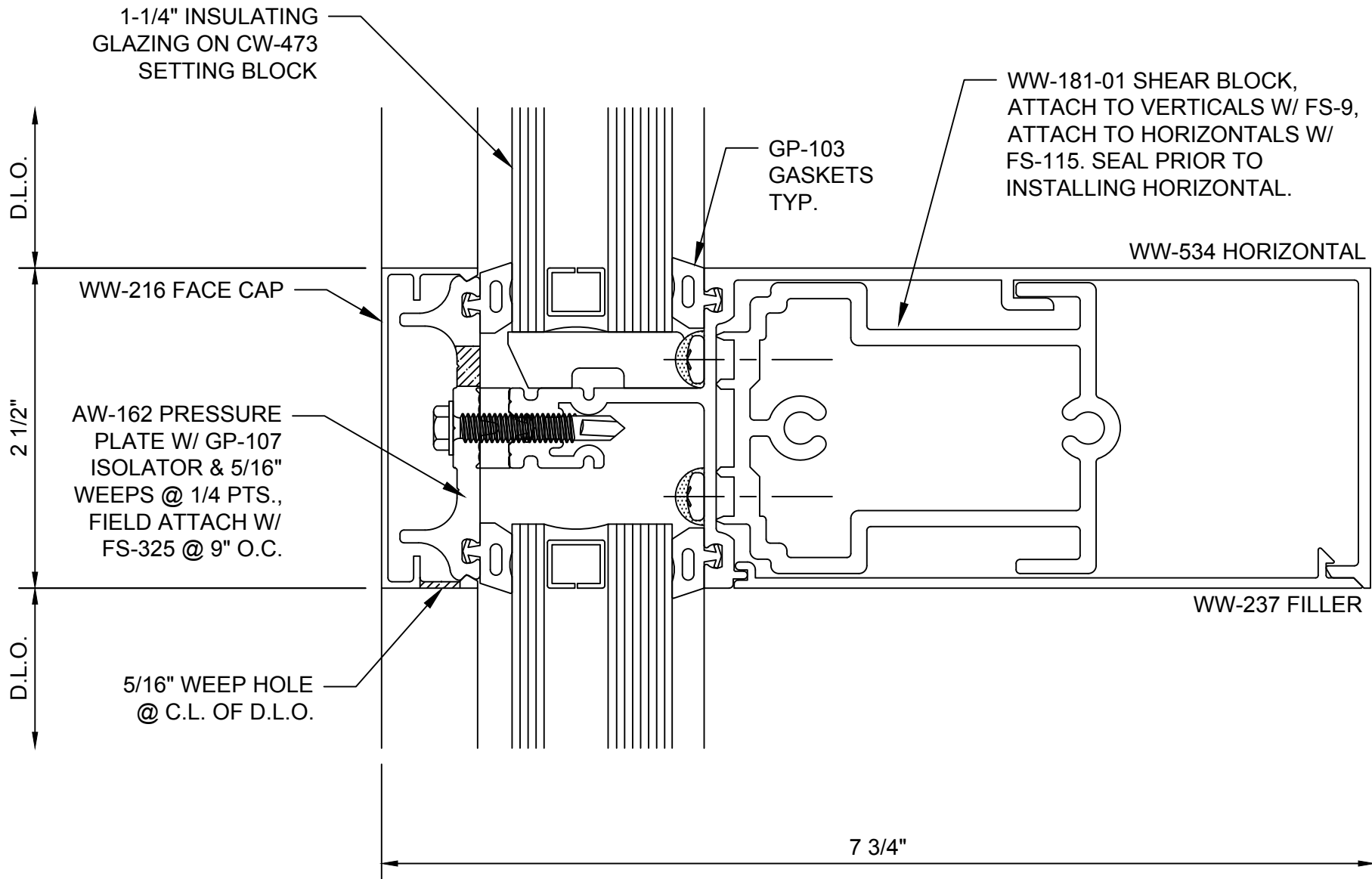
## Reliance™ Curtain Wall Head at Vision - H4401



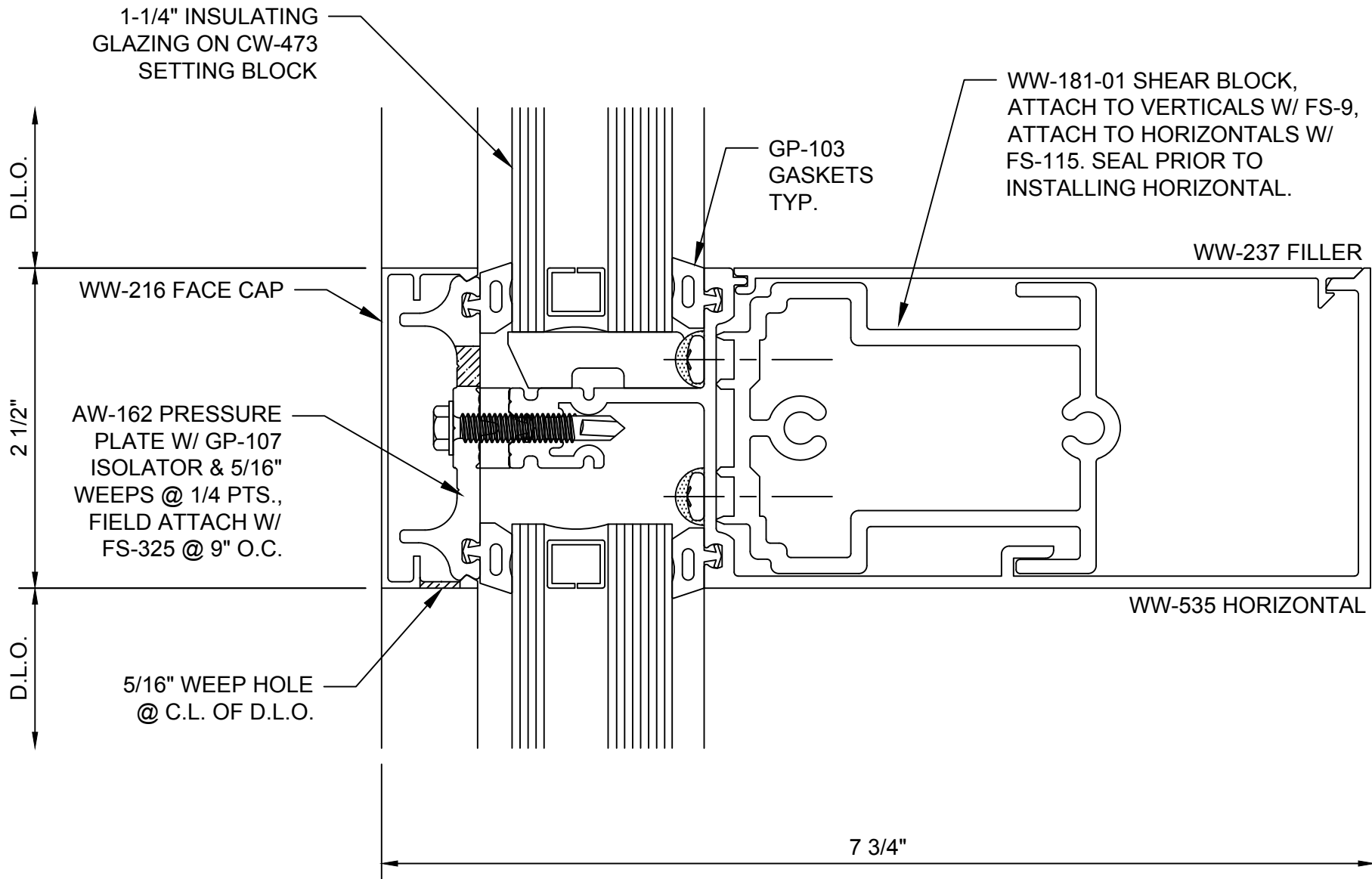
**Reliance™ Curtain Wall**  
**Sill - H4404**



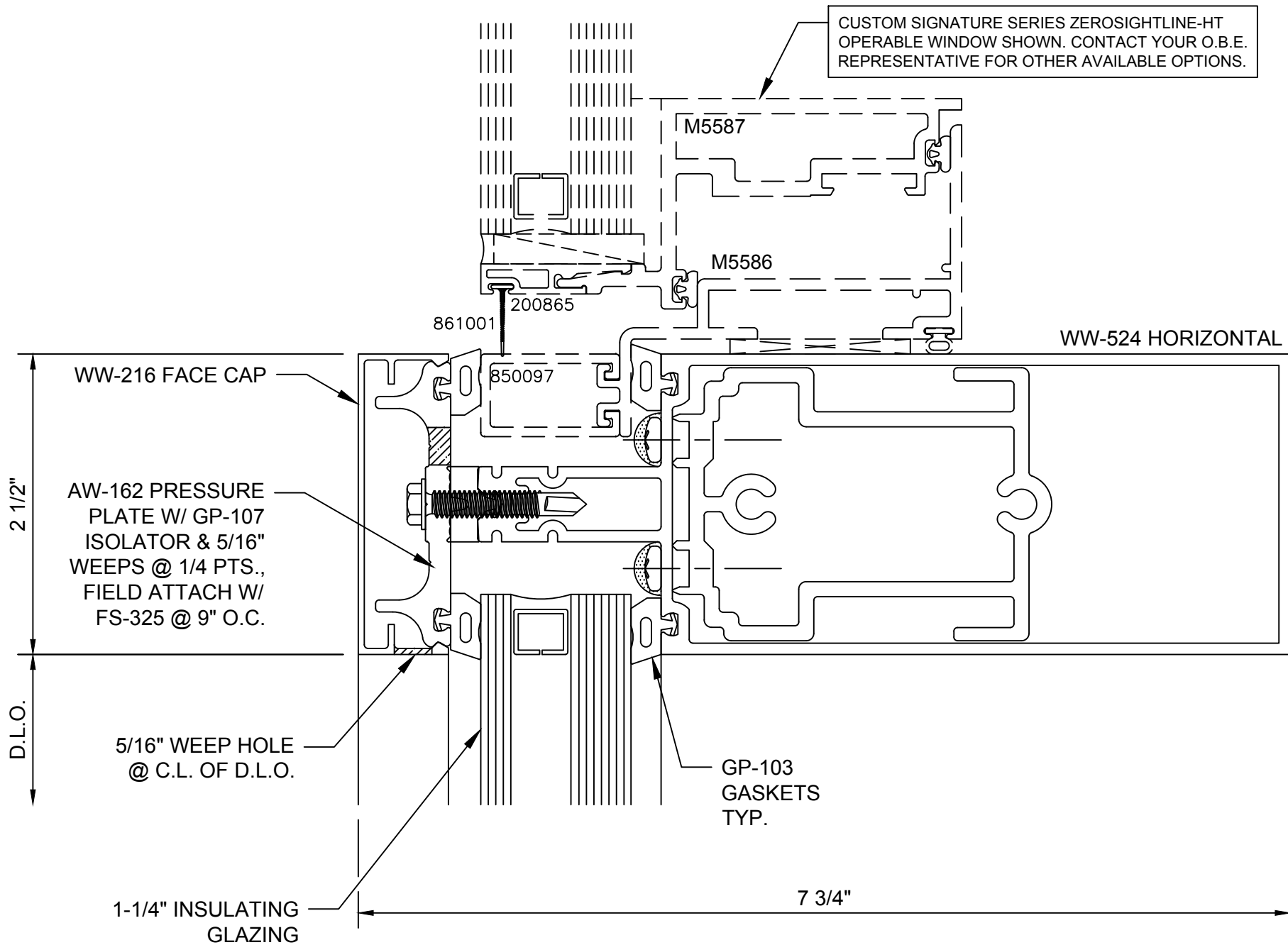
**Reliance™ Curtain Wall**  
**Intermediate Horizontal - H4405**



**Reliance™ Curtain Wall**  
**Roll-over Horizontal - H4408**

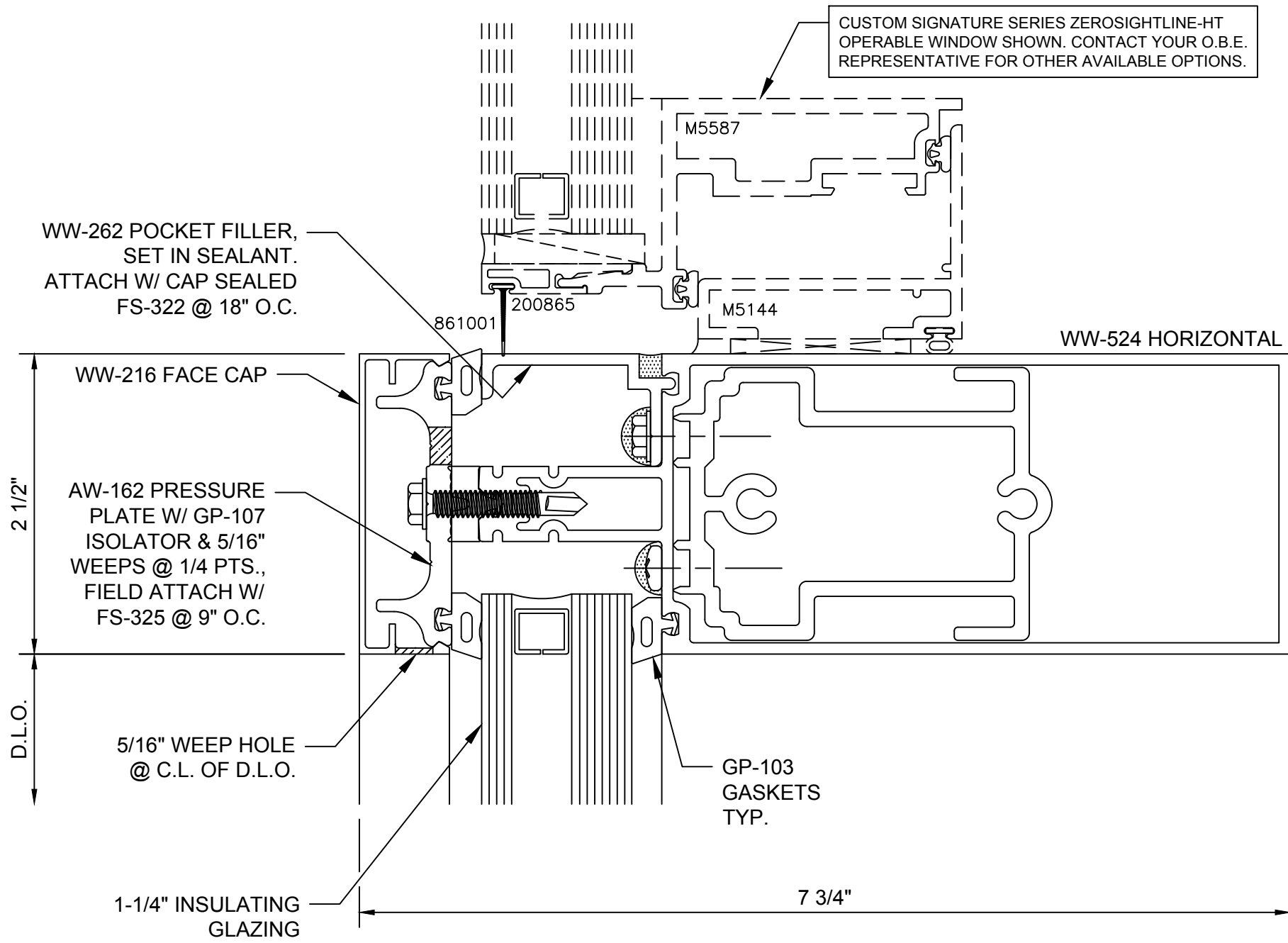


**Reliance™ Curtain Wall**  
**Roll-under Horizontal - H4409**

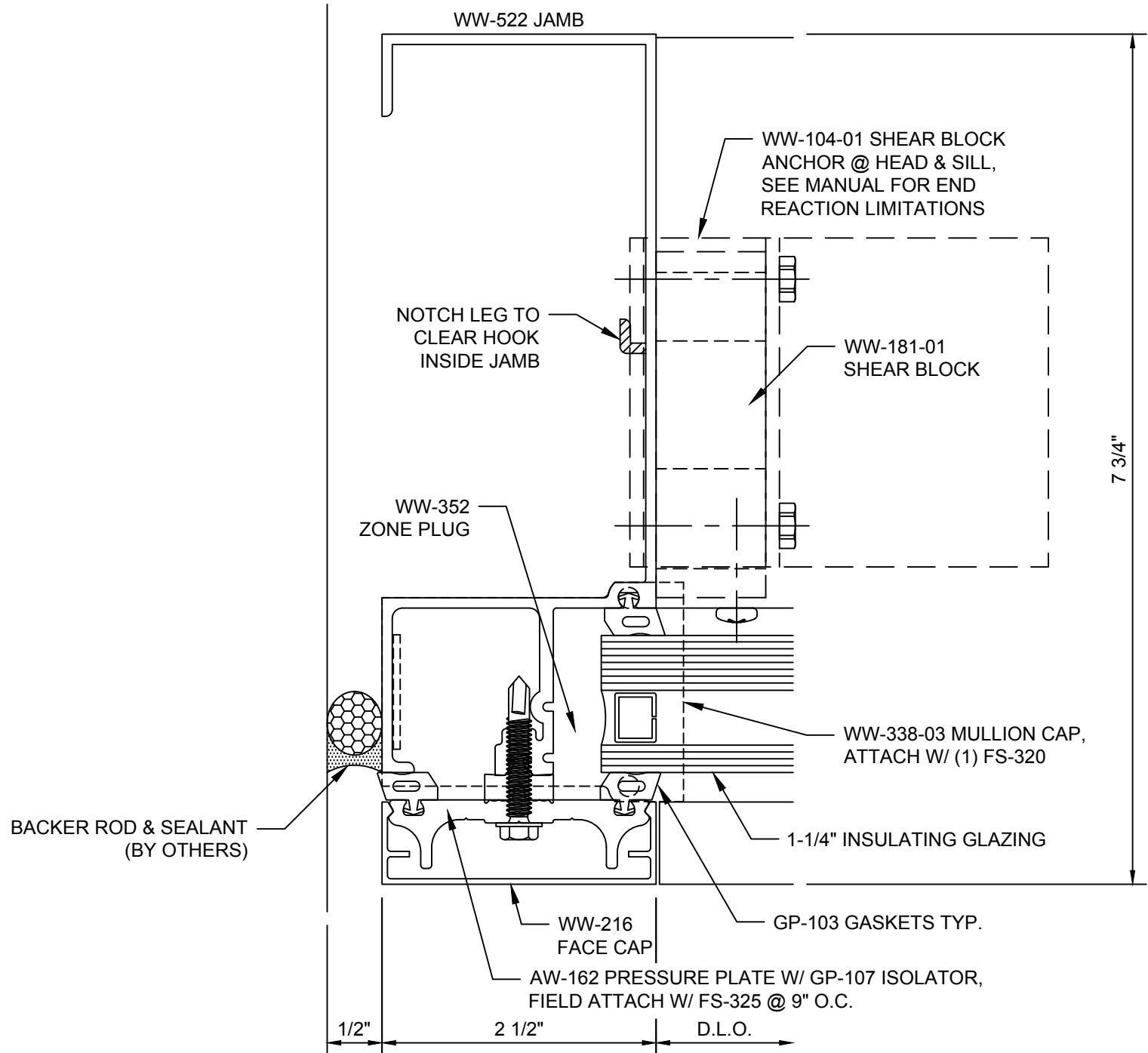


**Reliance™ Curtain Wall**  
**Horizontal at Operable Window - Pocket Frame - H4418**

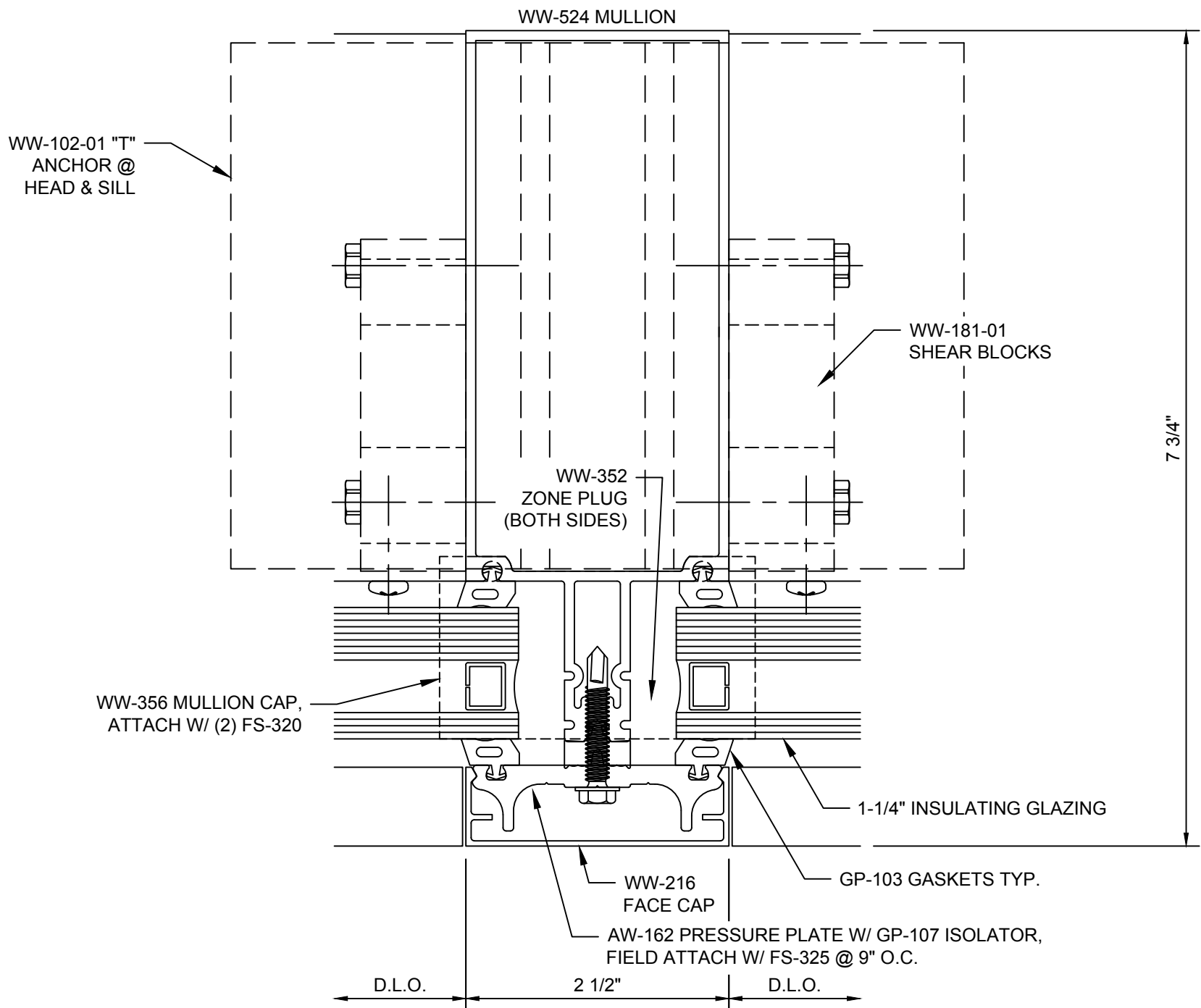




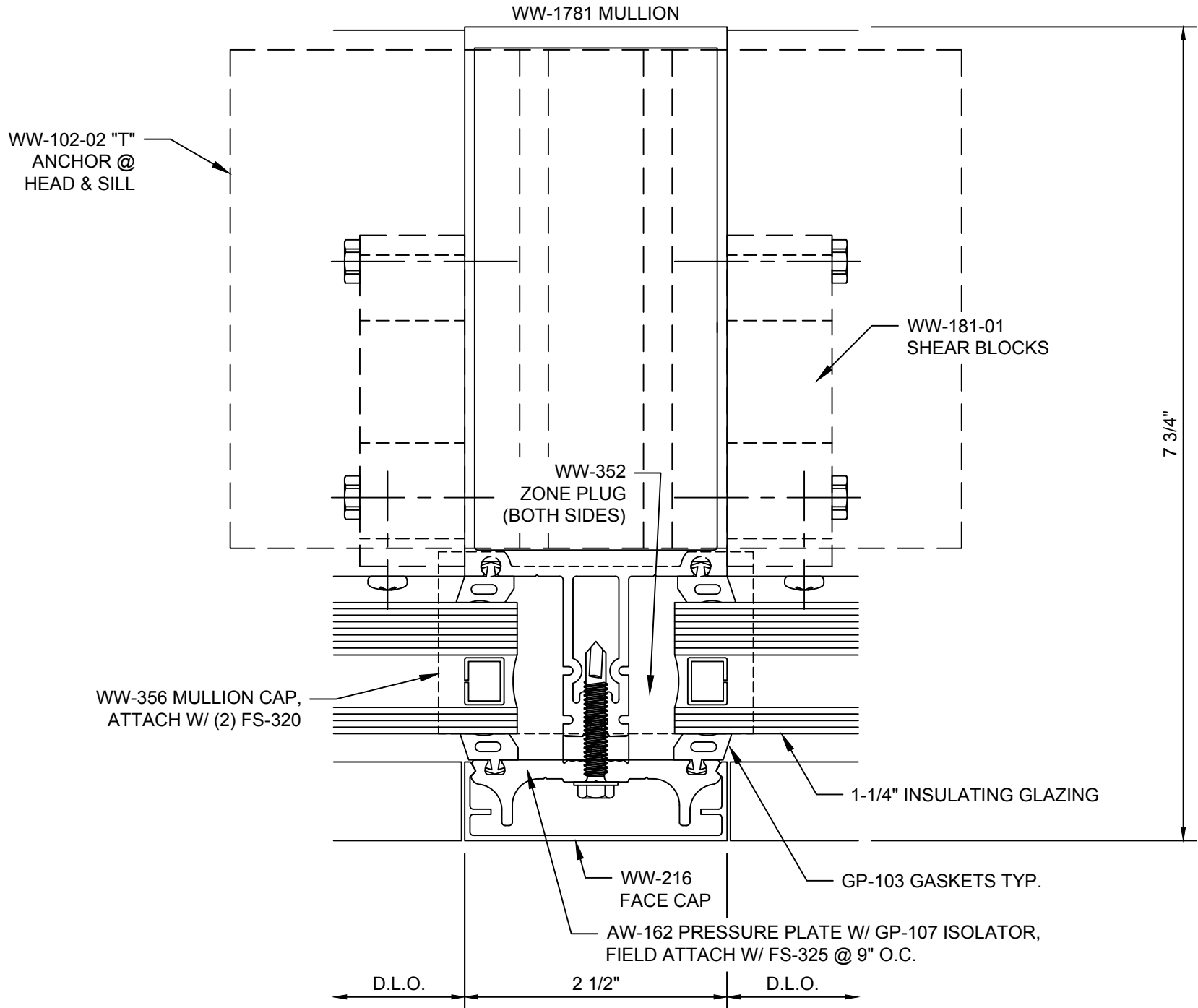
**Reliance™ Curtain Wall**  
**Horizontal at Operable Window - Flat Frame - H4419**



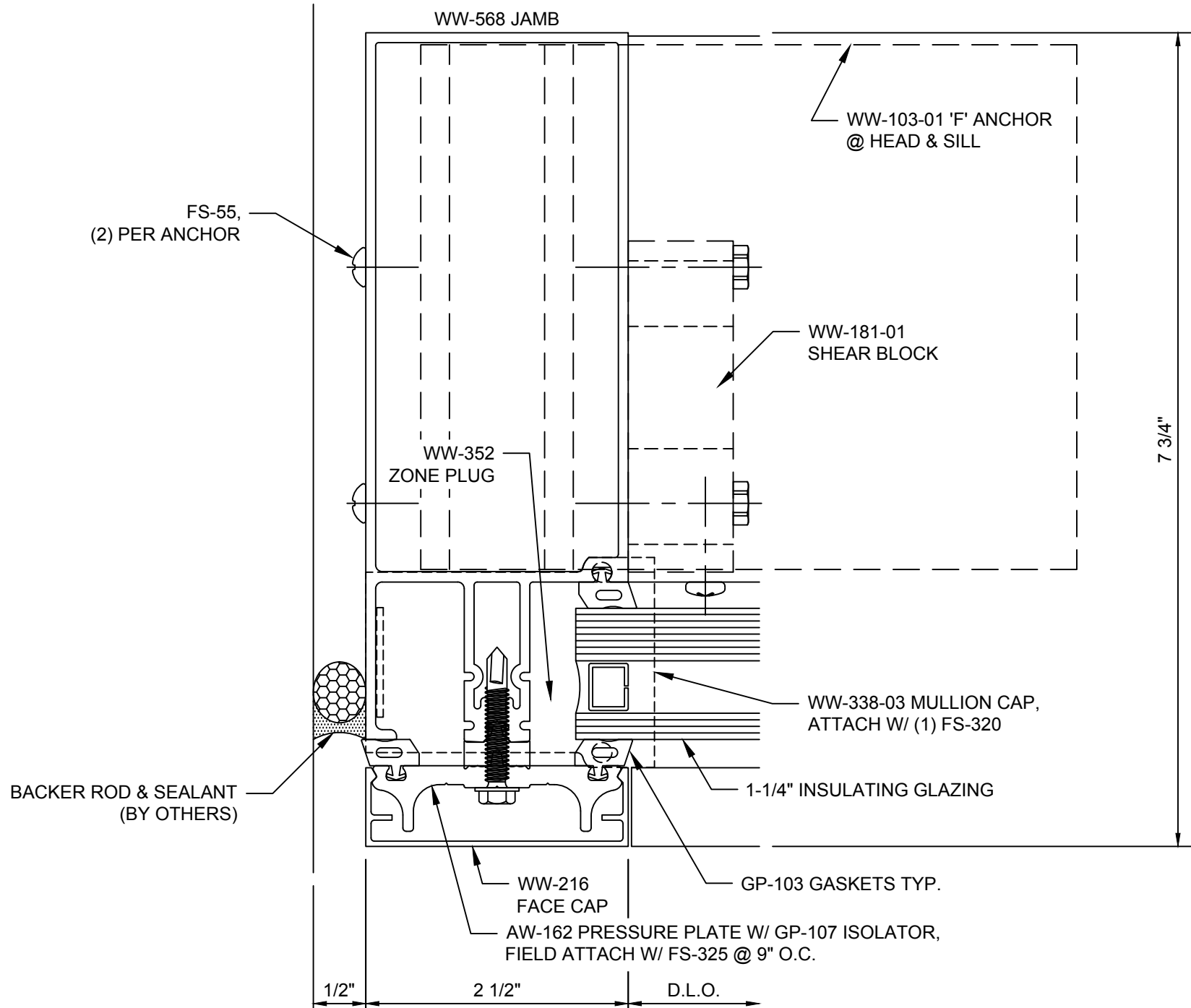
**Reliance™ Curtain Wall  
Open Back Jamb - V4401**



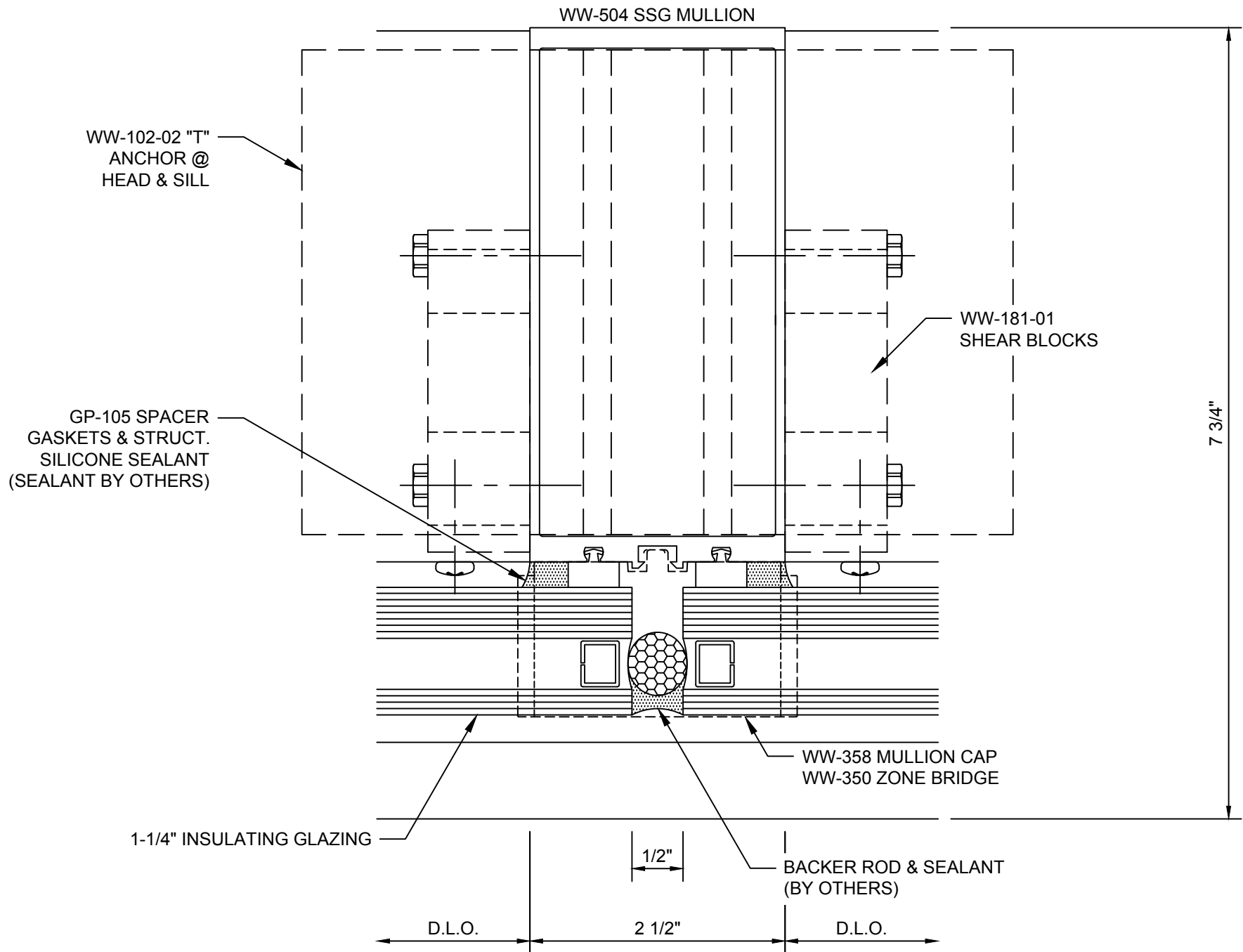
**Reliance™ Curtain Wall**  
**Typical Vertical - V4402**



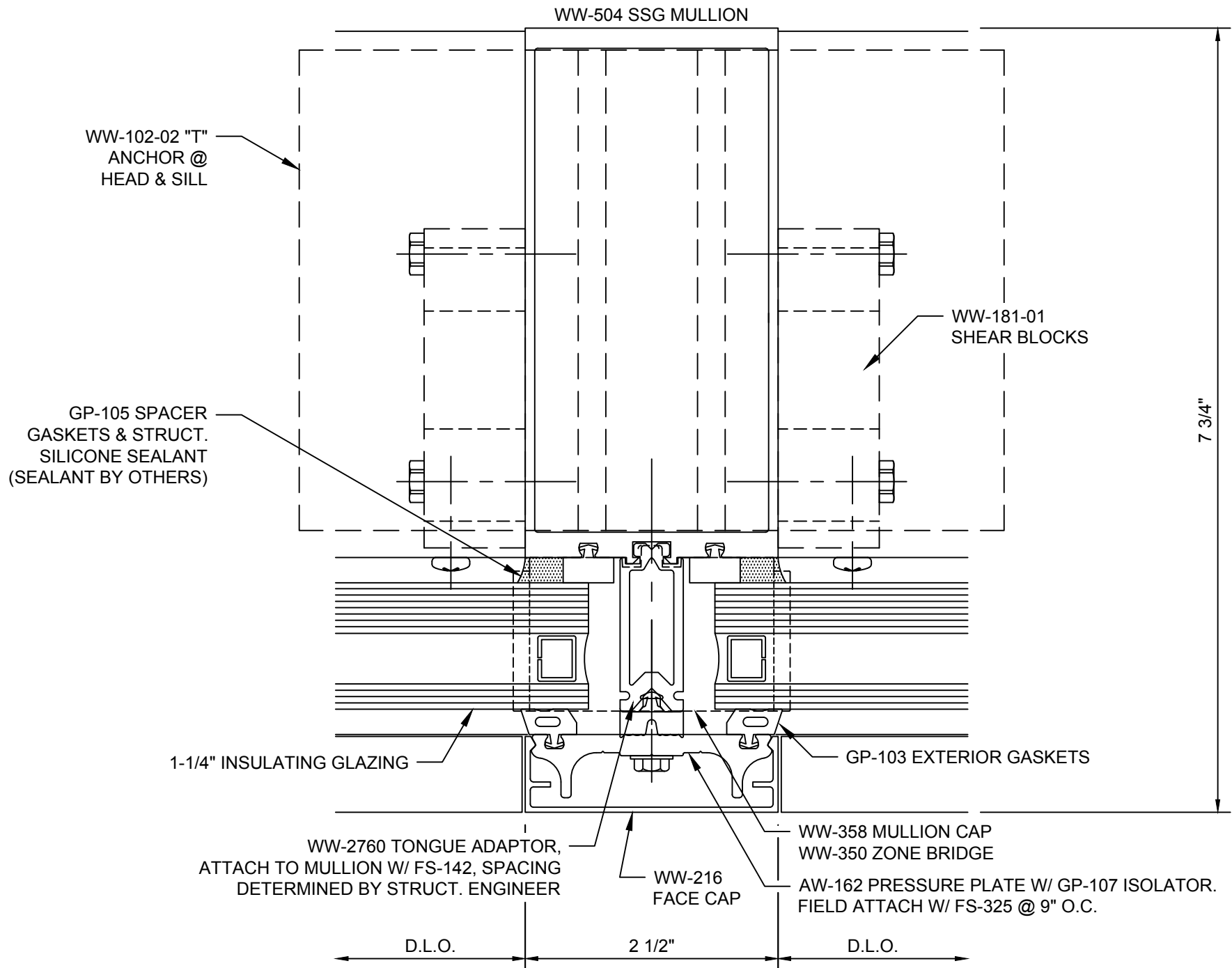
**Reliance™ Curtain Wall**  
**Heavy Vertical - V4405**



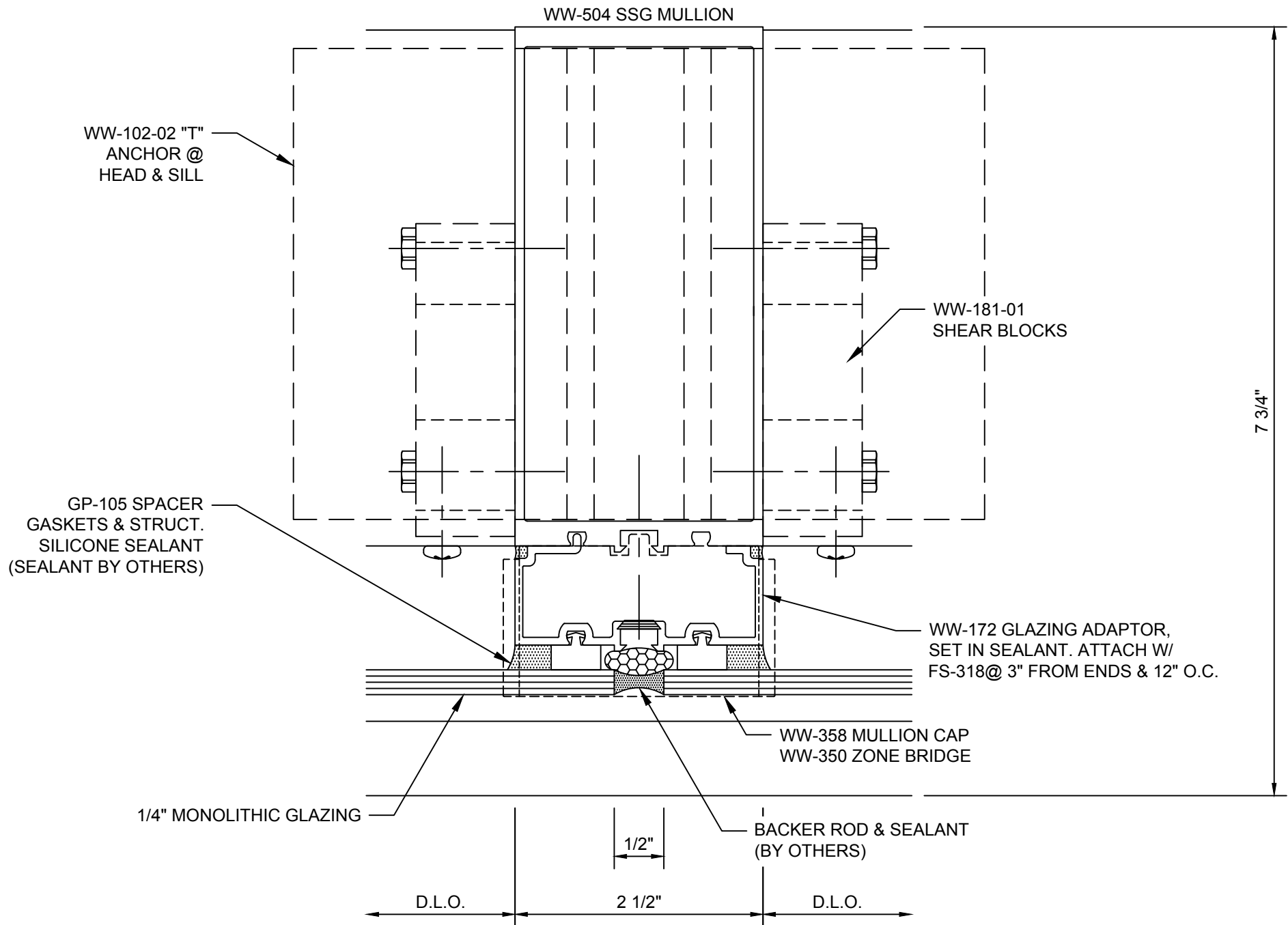
**Reliance™ Curtain Wall**  
**Tubular Jamb - V4408**



**Reliance™ Curtain Wall**  
**SSG Vertical - V4452**

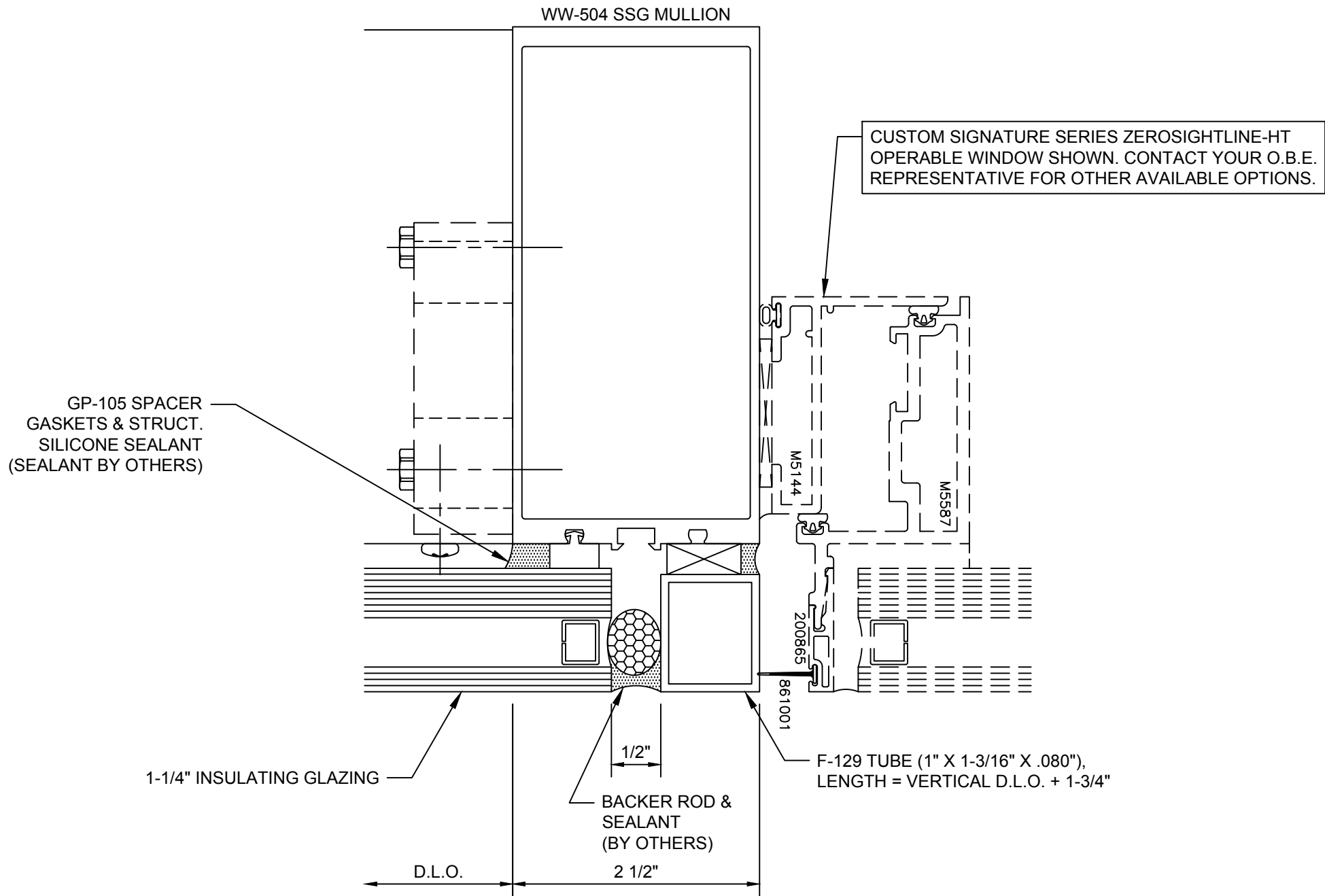


**Reliance™ Curtain Wall**  
**SSG Vertical at SSG to Captured Transition - V4452**

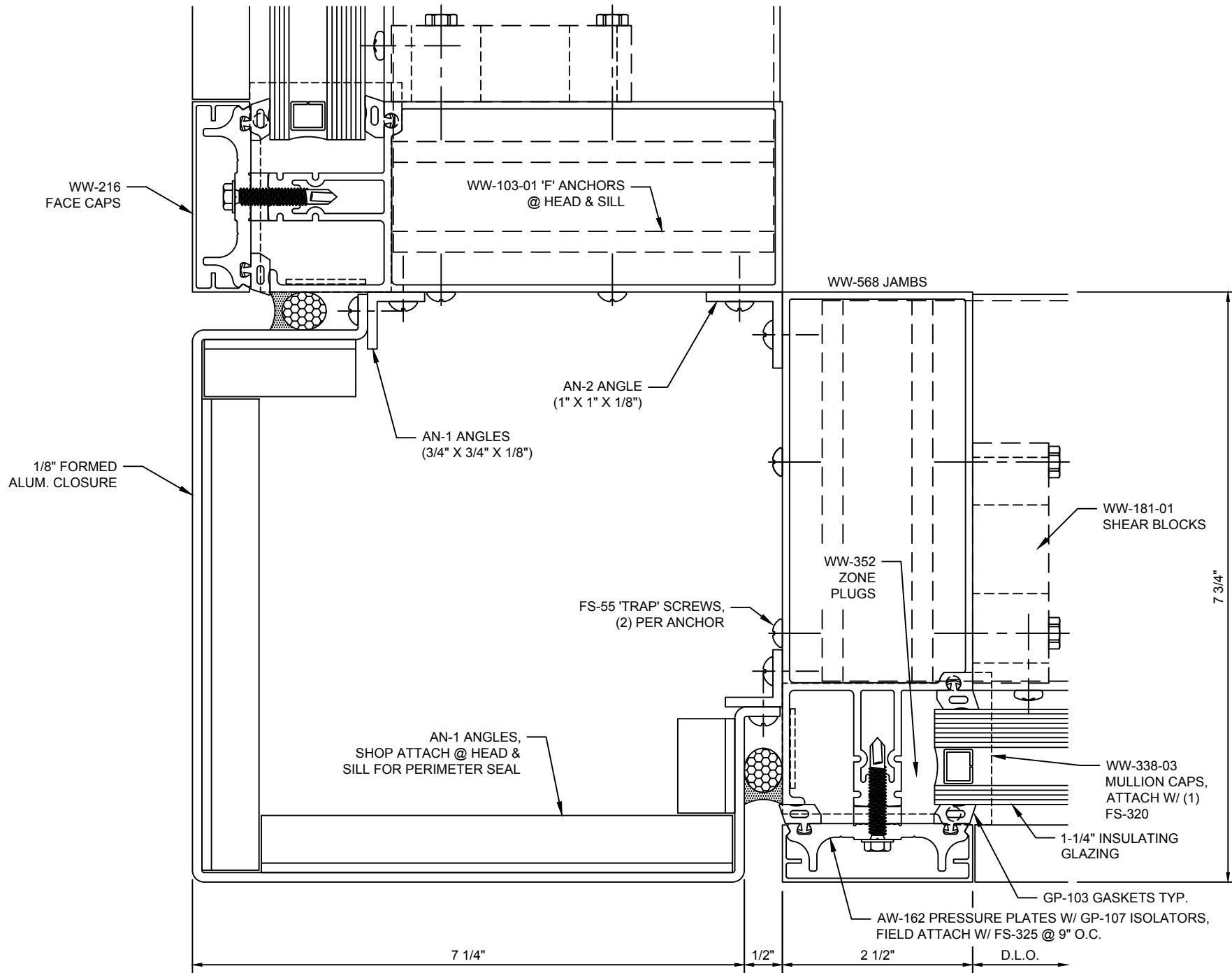


**Reliance™ Curtain Wall**  
**SSG Vertical at Spandrel - V4457**

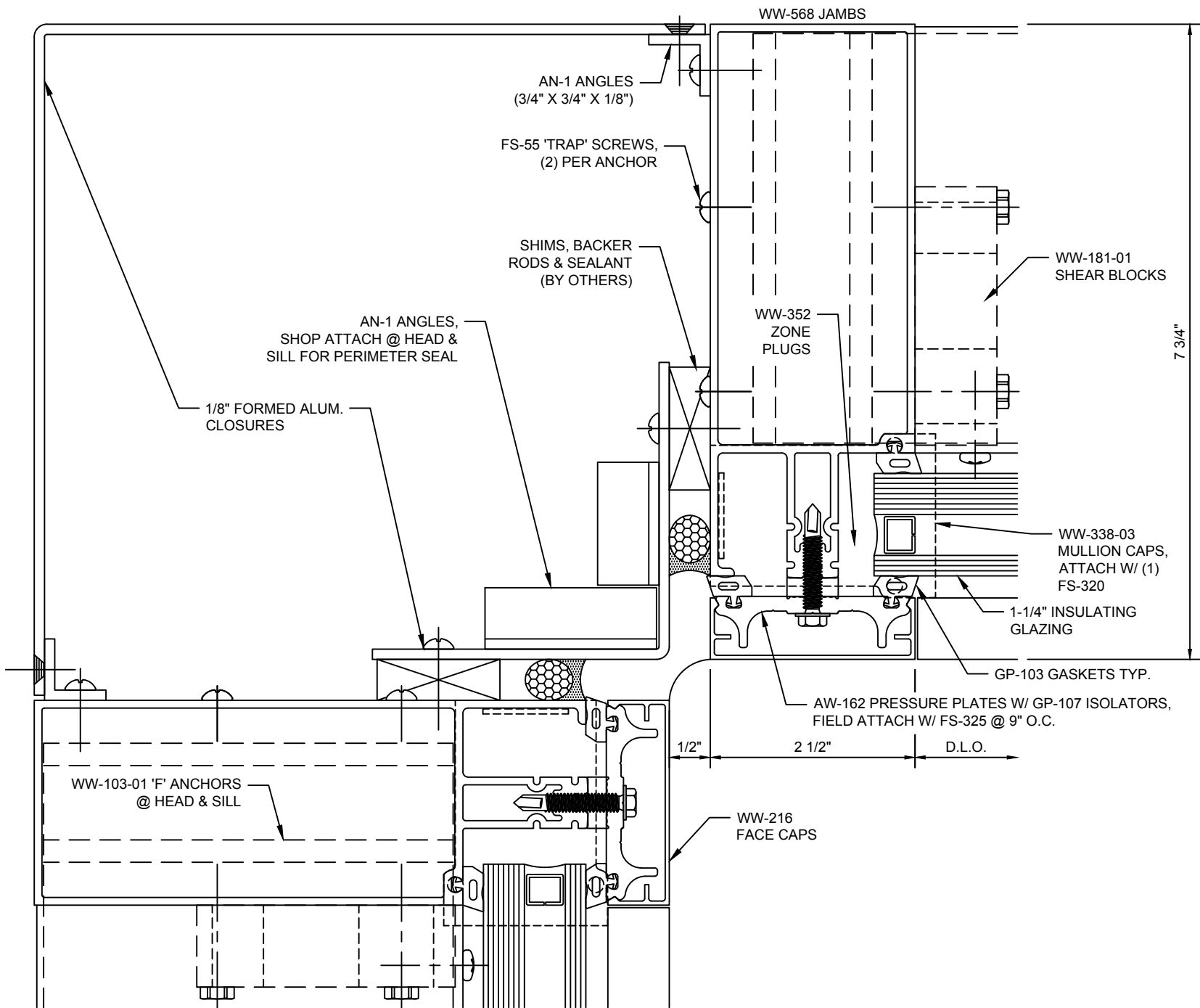




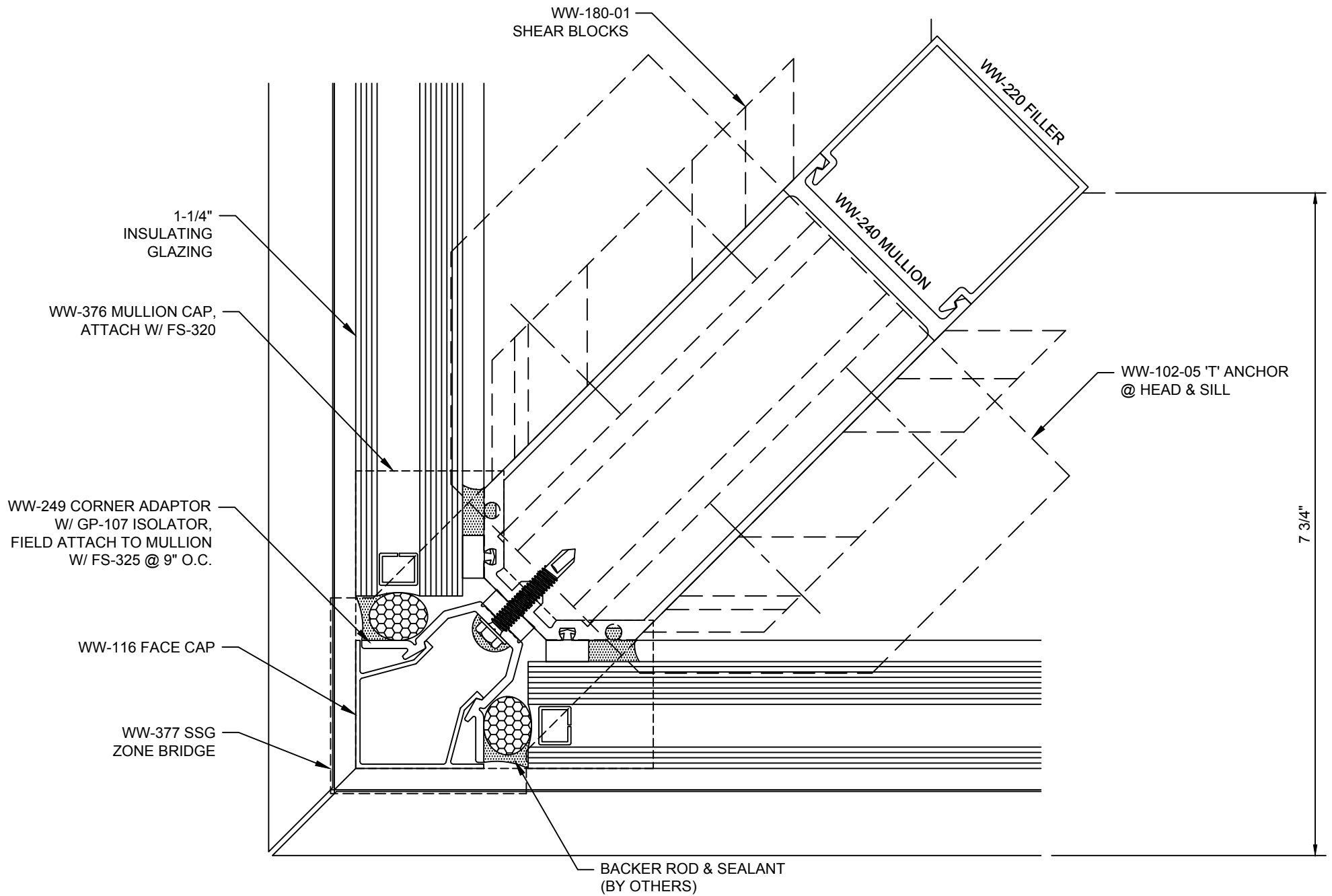
**Reliance™ Curtain Wall**  
**SSG Vertical at Operable Window - V4359**



**Reliance™ Curtain Wall**  
**90° Outside Corner - 2 Mullion - V4315**

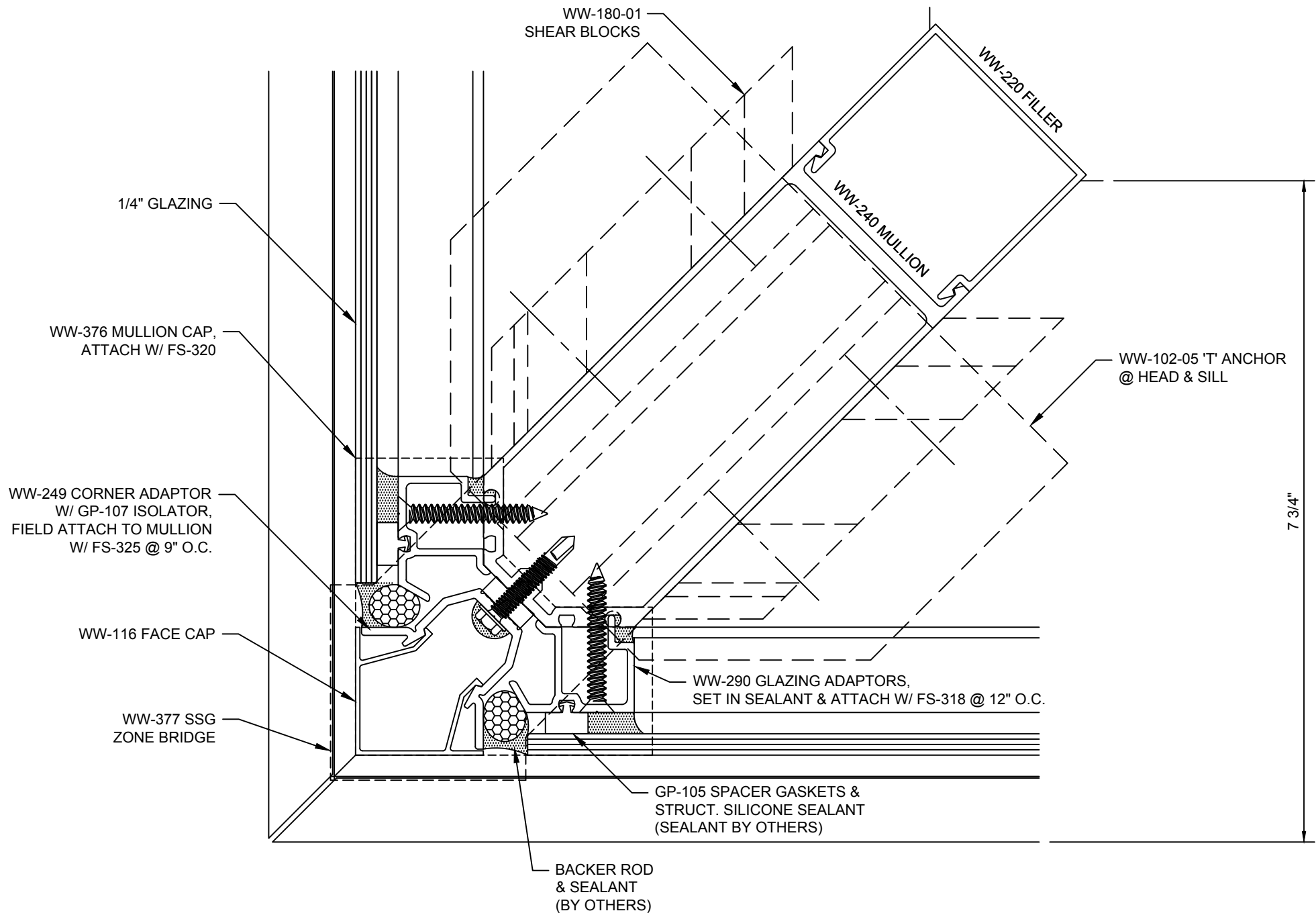


**Reliance™ Curtain Wall**  
**90° Inside Corner - 2 Mullion - V4417**



## Reliance™ Curtain Wall

### SSG 90° Outside Corner - V4471

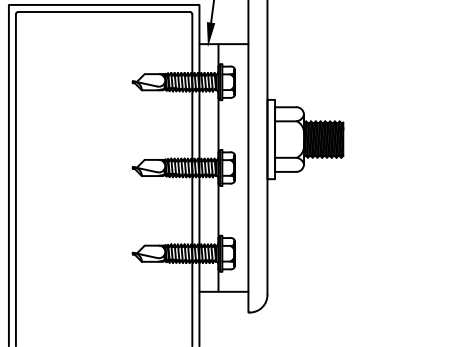


**Reliance™ Curtain Wall**  
**90° SSG Corner at Spandrel - V4472**

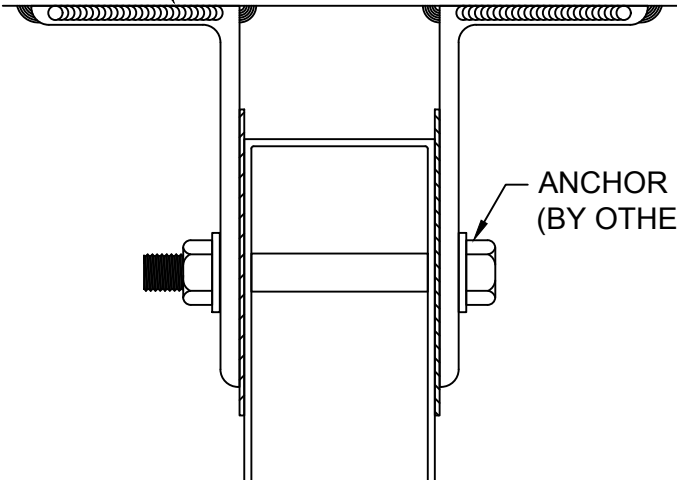
WELD AS REQUIRED BY INSTALLER

FLOOR SLAB OR BEAM

WW-2223 JAMB ANCHOR PLATE  
ATTACH W/ (6) FS-336 (1/4"-20 X  
1-1/8" HWH DRILL FLEX)

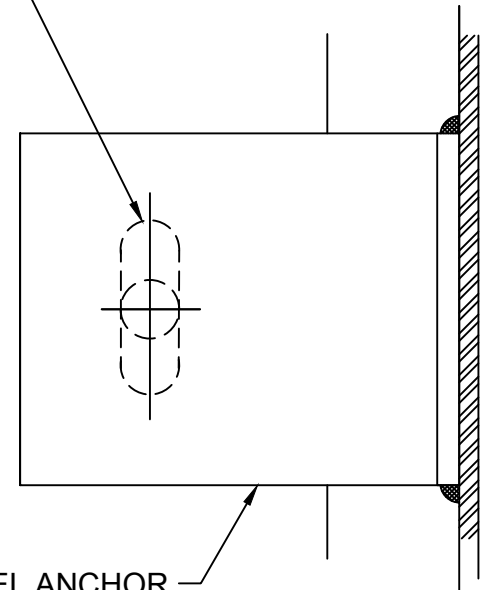


Plan View  
Jamb Option



Plan View  
Intermediate Mullion

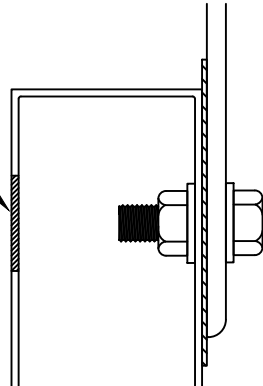
HOLE IN ANCHOR @ DEAD LOAD  
SLOT IN ANCHOR @ WIND LOAD



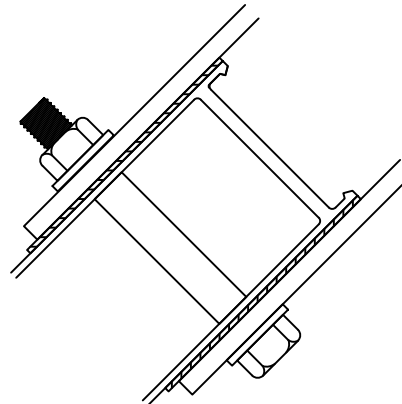
Side View

STEEL ANCHOR  
DESIGN DETERMINED  
BY ENGINEER. SEE  
APPROVED SHOP  
DRAWINGS.

ACCESS HOLE

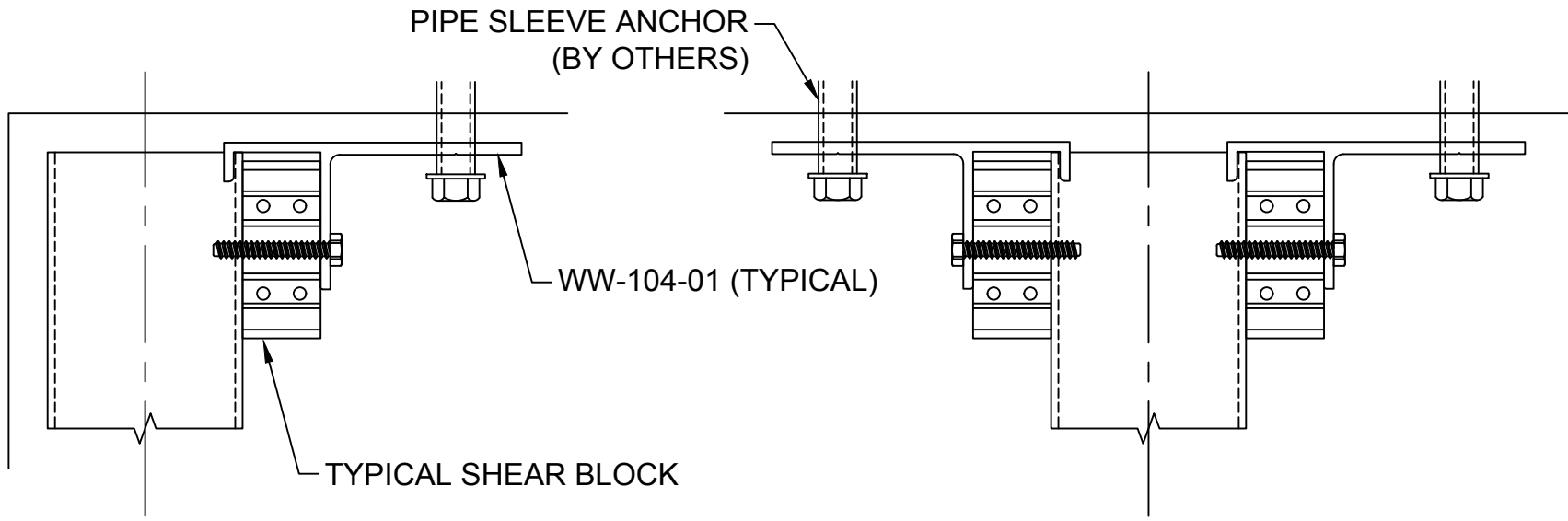


Plan View  
Jamb Option



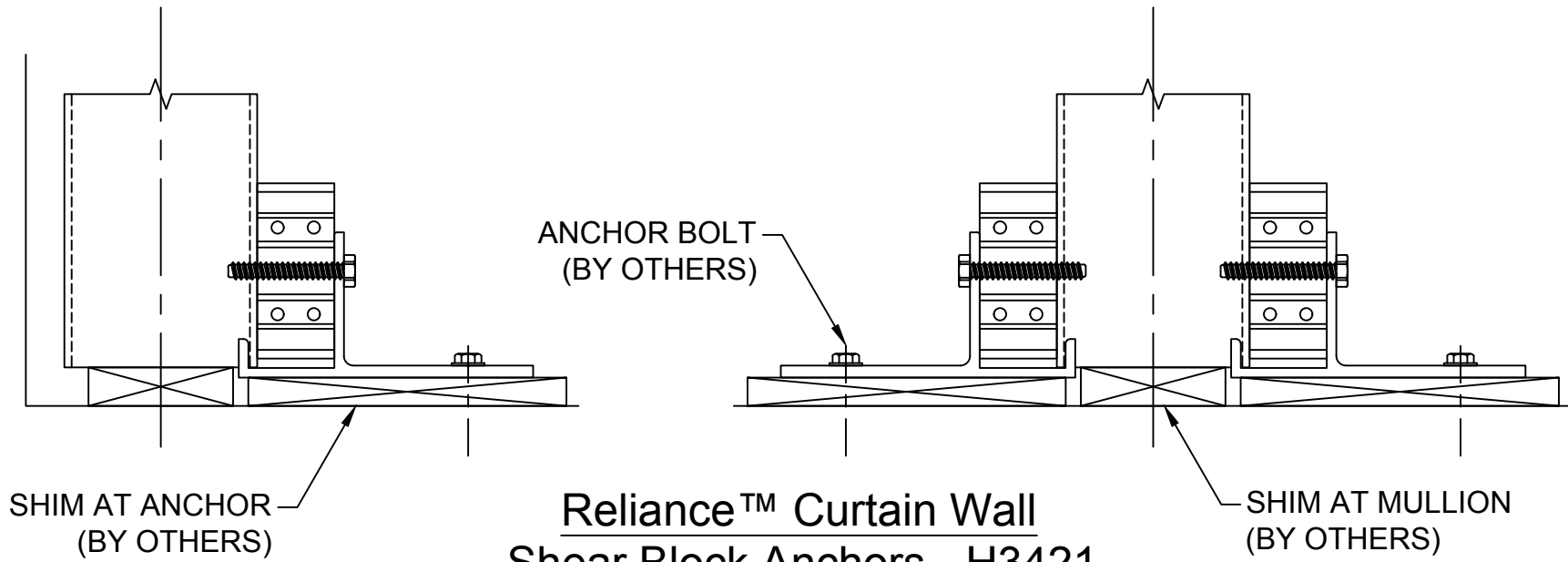
Plan View  
Single Mull Corners

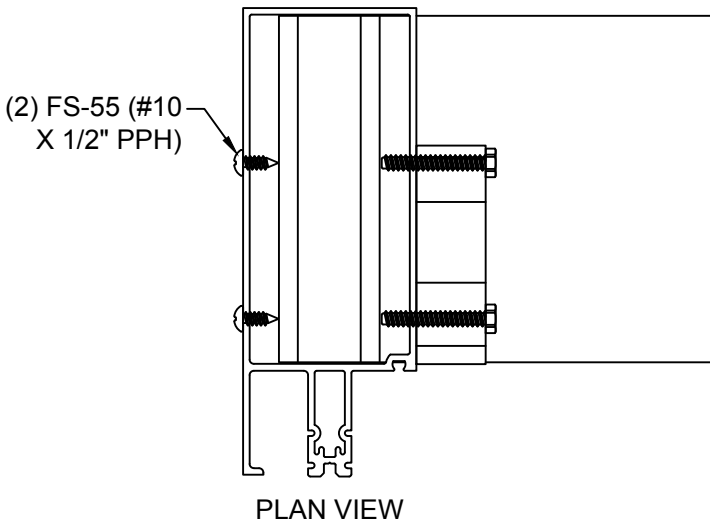
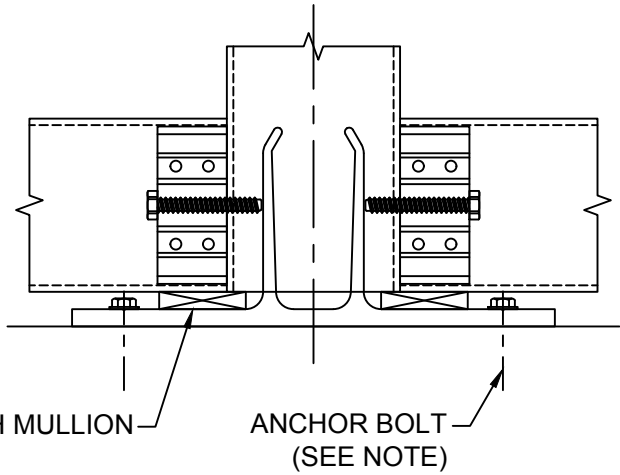
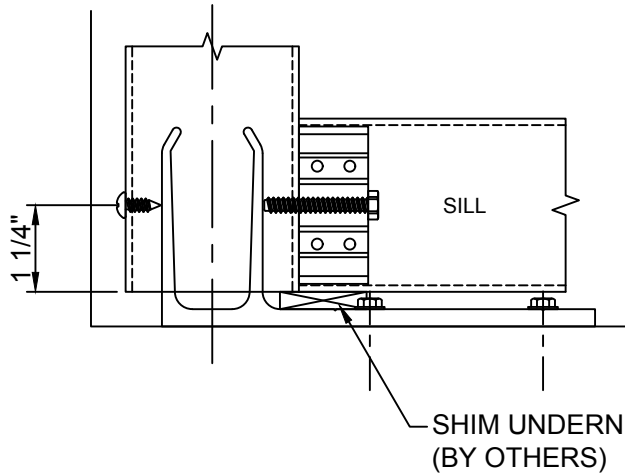
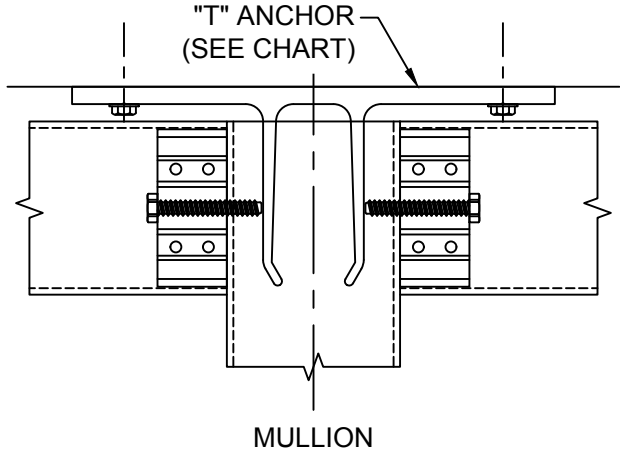
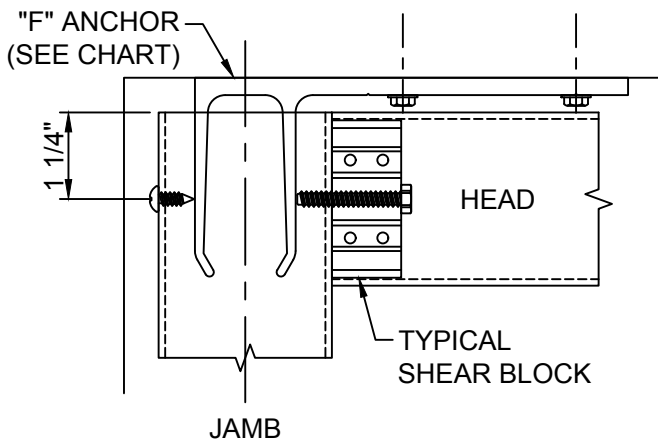
# Standard Curtain Wall Steel Anchor - H0042



**NOTE:**

1. ANCHOR BOLT DESIGNED BY STRUCTURAL ENGINEER.
2. WWW-104-01 ALUM. ANCHOR MAXIMUM ALLOWABLE END REACTION IS 375 LBS. PER ANCHOR, I.E. 375 LBS. AT JAMB VERTICAL, 750 LBS. AT INTERMEDIATE VERTICAL.





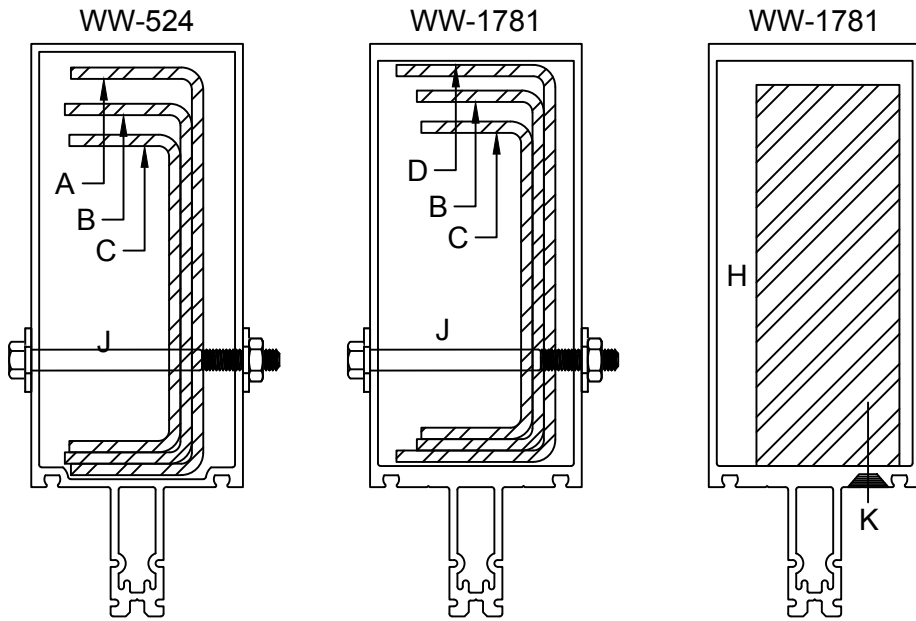
**NOTE:**  
 1. ANCHOR BOLT SIZE AND LOCATION DETERMINED BY STRUCTURAL ENGINEER

"F" ANCHOR CHART	
PART NO.	MULLION
WW-103-01	WW-524 / WW-568
WW-103-02	WW-504 / WW-1781

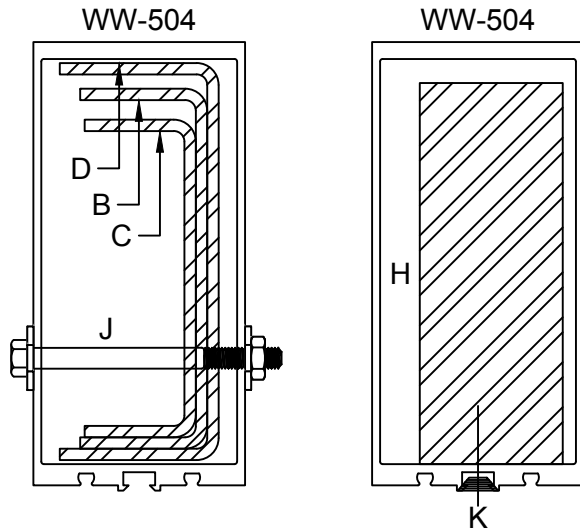
"T" ANCHOR CHART	
PART NO.	MULLION
WW-102-01	WW-524
WW-102-02	WW-504 / WW-1781
WW-102-05	WW-240 (90° CORNER)

## Reliance™ Curtain Wall "F" & "T" Anchors - H4325





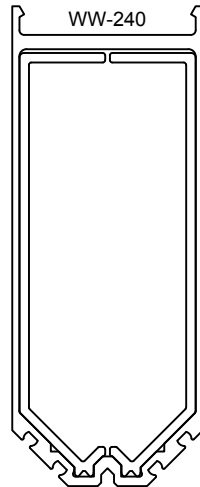
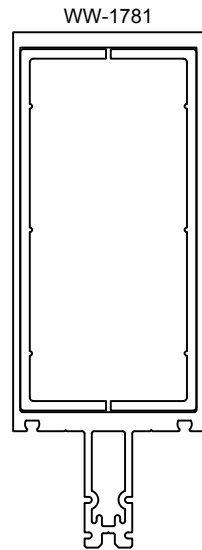
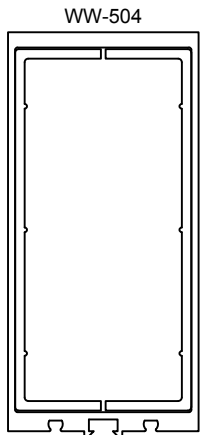
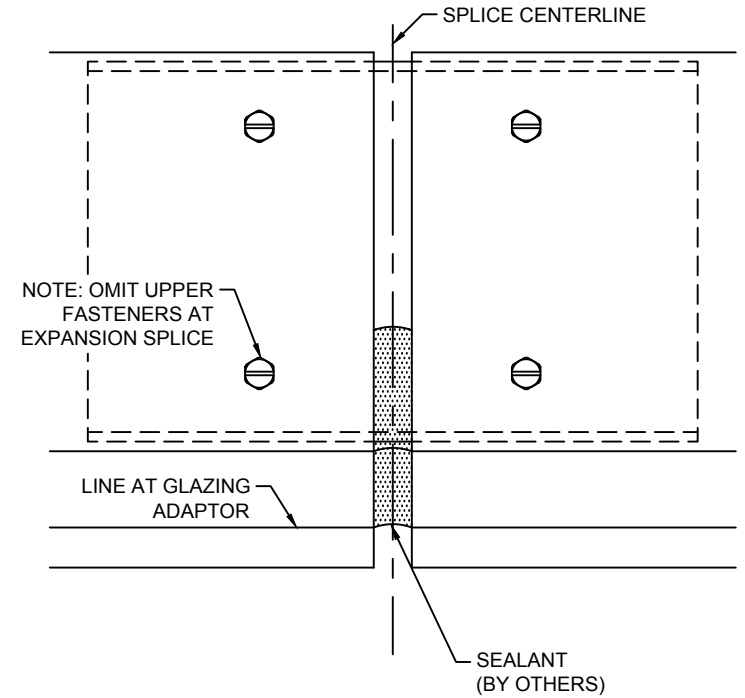
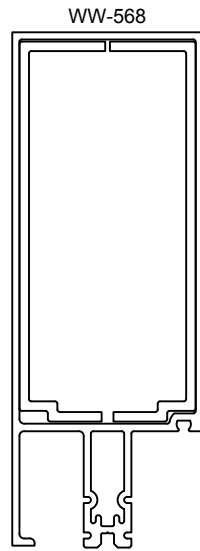
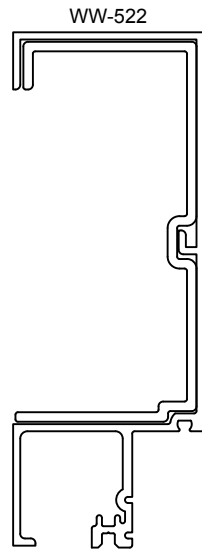
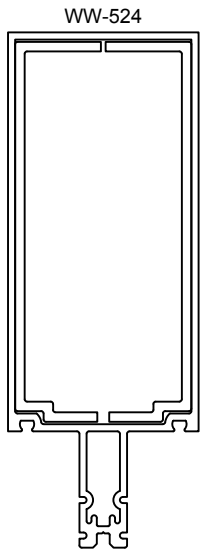
STEEL REINFORCING CHART	
A	RS-19 (1 9/16" X 4 13/16" 10 GA.)
B	PP-16 (1 1/2" X 4 1/4" 10 GA.)
C	PP-17 (1 5/16" X 3 3/4" 10 GA.)
D	RS-18 (1 7/8" X 4 11/16" 10 GA.)
E	RS-22 (1 9/16" X 3 9/16" 10 GA.)
F	RS-21 (1 1/2" X 3" 10 GA.)
G	RS-23 (1 7/8" X 3 7/16" 10 GA.)
H	STEEL BAR OPTION (BY OTHERS)
J	1/4"-20 X 3" HEX HEAD BOLT 1/4"-20 HEX NUT & WASHERS
K	FS-259 (1/4"-20 X 1" PFH)



SEE APPROVED SHOP DRAWINGS FOR SPECIFIC REQUIREMENTS.

REF. INSTALLATION MANUAL FOR ADDITIONAL INFO.

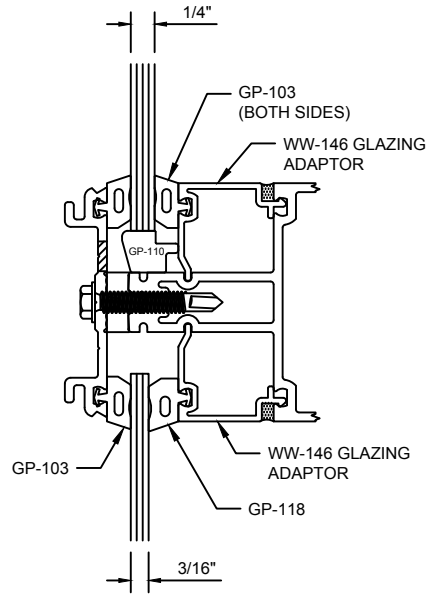
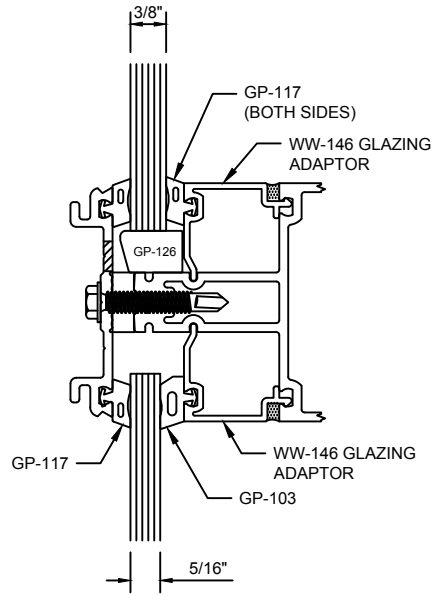
## Reliance™ Curtain Wall Steel Reinforcement - H4330



7-1/2" SYSTEM DEPTH (1-1/4" GLAZING)	
MULLION	SPLICE
WW-504	CW-74
WW-522	WW-294-01
WW-524	WW-194-01
WW-568	WW-194-01
WW-240	WW-191-01
WW-1781	CW-74

REFERENCE INSTALLATION MANUAL  
FOR ADDITIONAL SPLICE INFO.

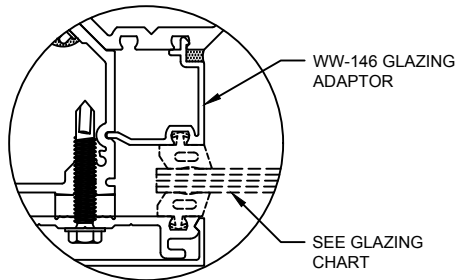
## Reliance™ Curtain Wall Mullion Splice - H4343



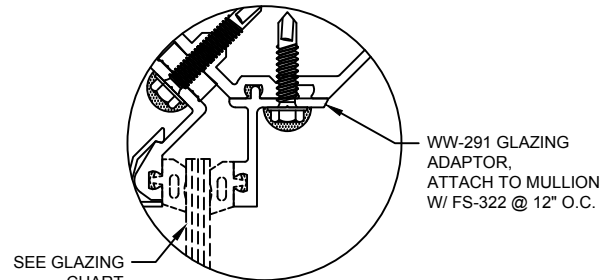
SPANDREL GLAZING CHART			
GLAZING THICKNESS	GASKET EXTERIOR	GASKET INTERIOR	GLAZING ADAPTOR
3/16" (0.188)	GP-103	GP-118	WW-146
1/4" (0.250)	GP-103	GP-103	WW-146
5/16" (0.313)	GP-117	GP-103	WW-146
3/8" (0.375)	GP-117	GP-117	WW-146

**NOTES:**

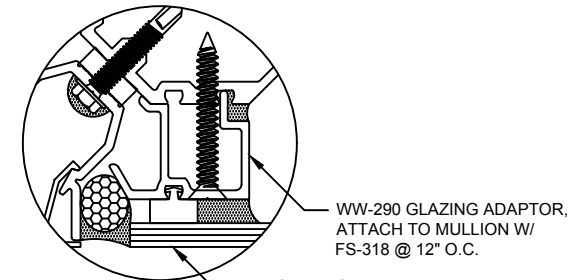
1. Glass pocket = 3/4" with glazing adaptors
2. Glazing adaptors set in sealant (sealant by others)
3. Single mullion captured corners unavailable w/ FRP pressure plate option



90° OUTSIDE CAPTURED CORNER

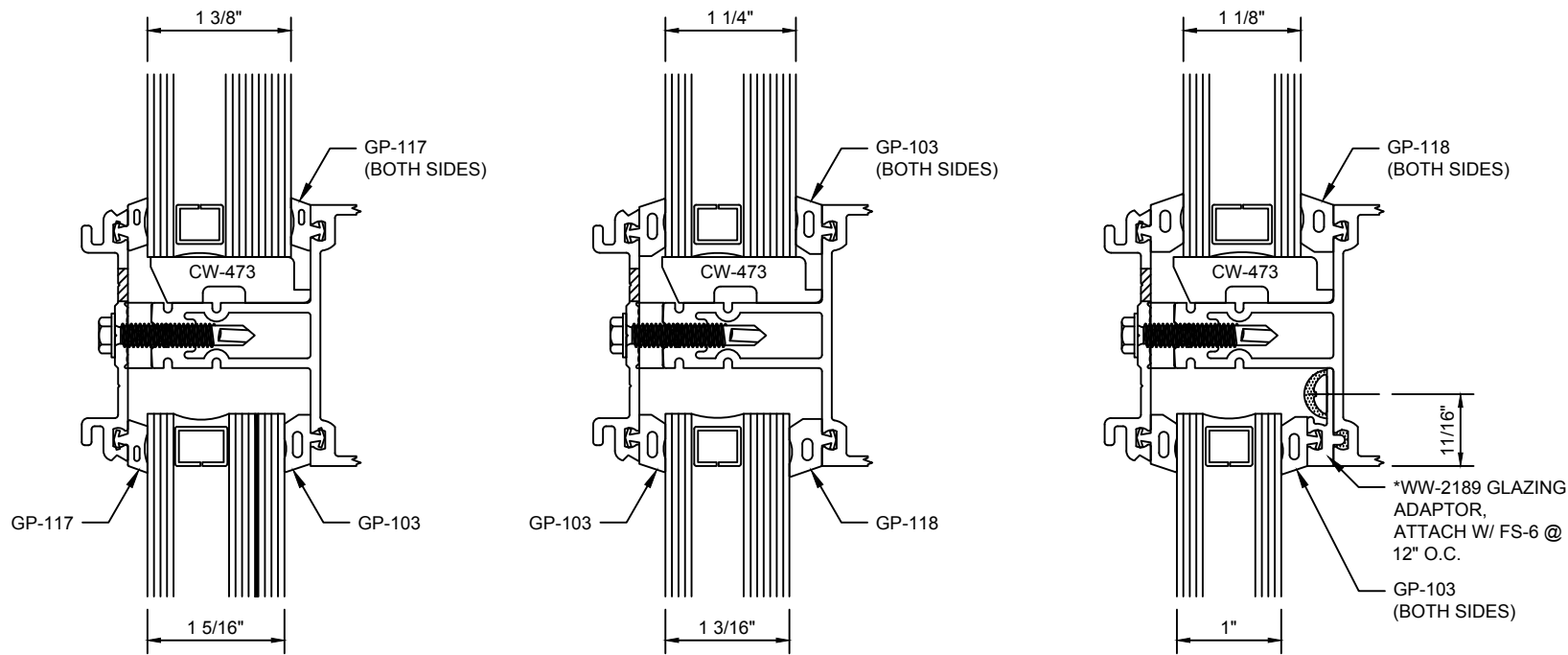


90° INSIDE CAPTURED CORNER



90° OUTSIDE SSG CORNER

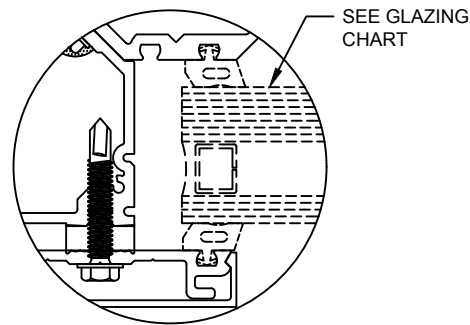
## Reliance™ Curtain Wall Spandrel Glazing Options - H4346



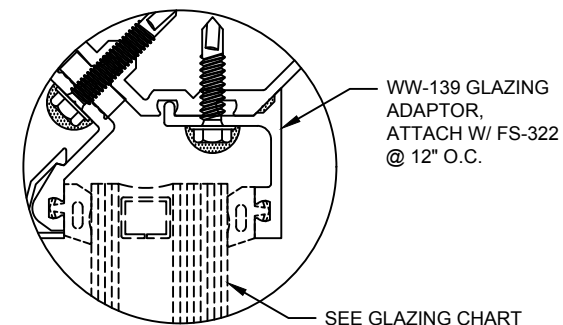
**NOTES:**

1. Glass pocket = 1-3/4" typical or 1-1/2" w/ WW-2189 glazing adaptor
2. Glazing adaptors set in sealant (sealant by others)
3. \* denotes non-stock item
4. 1" glazing option unavailable w/ single mullion corners
5. Single mullion captured corners unavailable w/ FRP pressure plate option

VISION GLAZING CHART			
GLAZING THICKNESS	GASKET EXTERIOR	GASKET INTERIOR	GLAZING ADAPTOR
1" (1.0)	GP-103	GP-103	* WW-2189
1-1/8" (1.125)	GP-118	GP-118	
1-3/16" (1.188)	GP-103	GP-118	
1-1/4" (1.250)	GP-103	GP-103	
1-5/16" (1.313)	GP-103	GP-117	
1-3/8" (1.375)	GP-117	GP-117	



90° OUTSIDE CORNER



90° INSIDE CORNER

**Reliance™ Curtain Wall  
Vision Glazing Options - H4348**