

Oldcastle BuildingEnvelope®

1-866-Oldcastle (653-2278) - www.obe.com

RELIANCE™ CURTAIN WALL 2-1/2" X 7-1/2" W/ 1-1/4" TYPICAL INFILL

(Drawing numbers---i.e., H4301---used as CAD detail reference only)

Elevation

V4357

SSG Vertical - Spandrel

V4359

SSG Vertical at Operable Window

Horizontal Details

H4301	Head
H4304	Sill
H4305	Intermediate Horizontal
H4308	Roll-over Horizontal
H4309	Roll-under Horizontal
H4318	Horizontal at Operable Window - Pocket Frame
H4319	Horizontal at Operable Window - Flat Frame

Corner Details

V4315	90° Outside Corner - 2 Mullion
V4317	90° Inside Corner - 2 Mullion
V4321	90° Outside Corner
V4325	90° Inside Corner
V4371	SSG 90° Outside Corner
V4372	SSG 90° Outside Corner - Spandrel

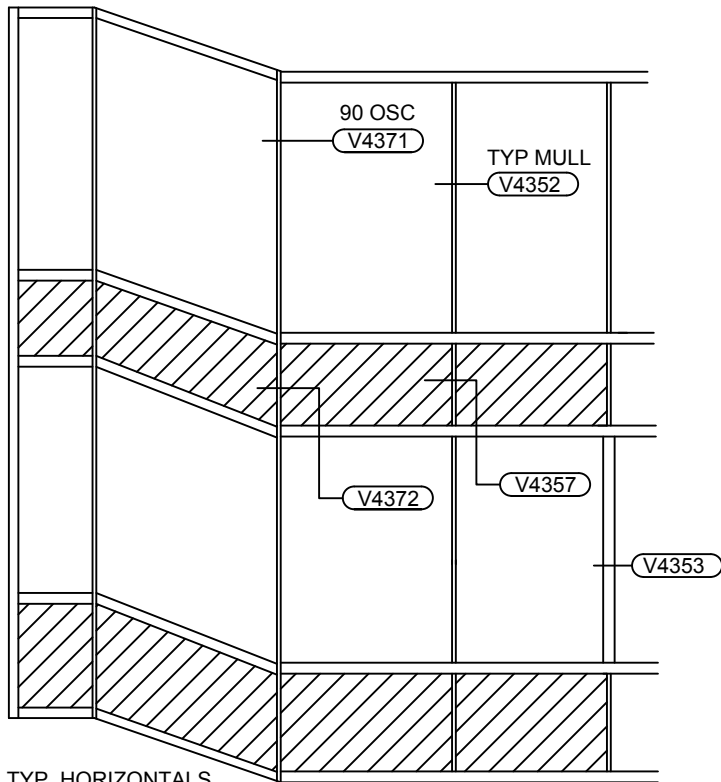
Vertical Details

V4301	Jamb - Open Back
V4302	Vertical - Typical
V4305	Vertical - Heavy
V4308	Jamb - Tubular
V4352	SSG Vertical
V4353	Vertical at SSG to Captured Transition

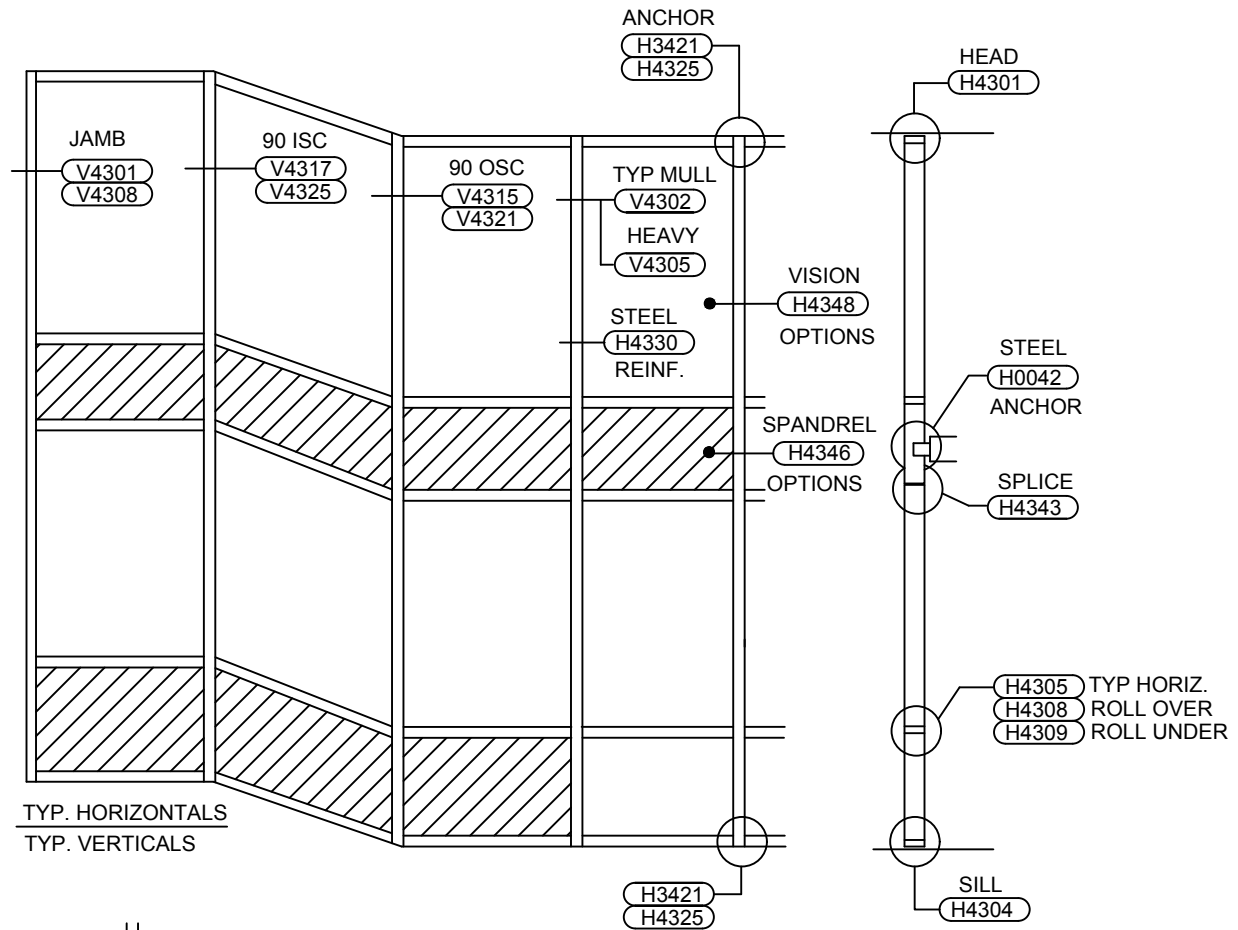
Misc. Details

H0042	Steel Anchoring
H3421	Shear Block Anchoring
H4325	'F' & 'T' Mullion Anchoring
H4330	Steel Reinforcement
H4343	Mullion Splicing
H4346	Spandrel Glazing Options
H4348	Vision Glazing Options

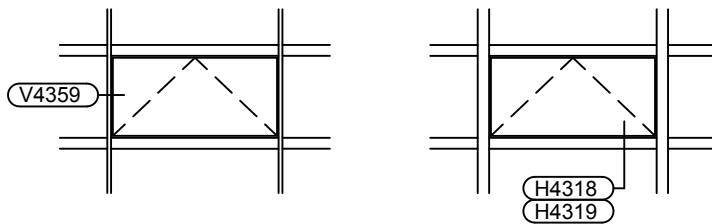
Table of Contents



TYP. HORIZONTALS
SSG VERTICALS



TYP. HORIZONTALS
TYP. VERTICALS

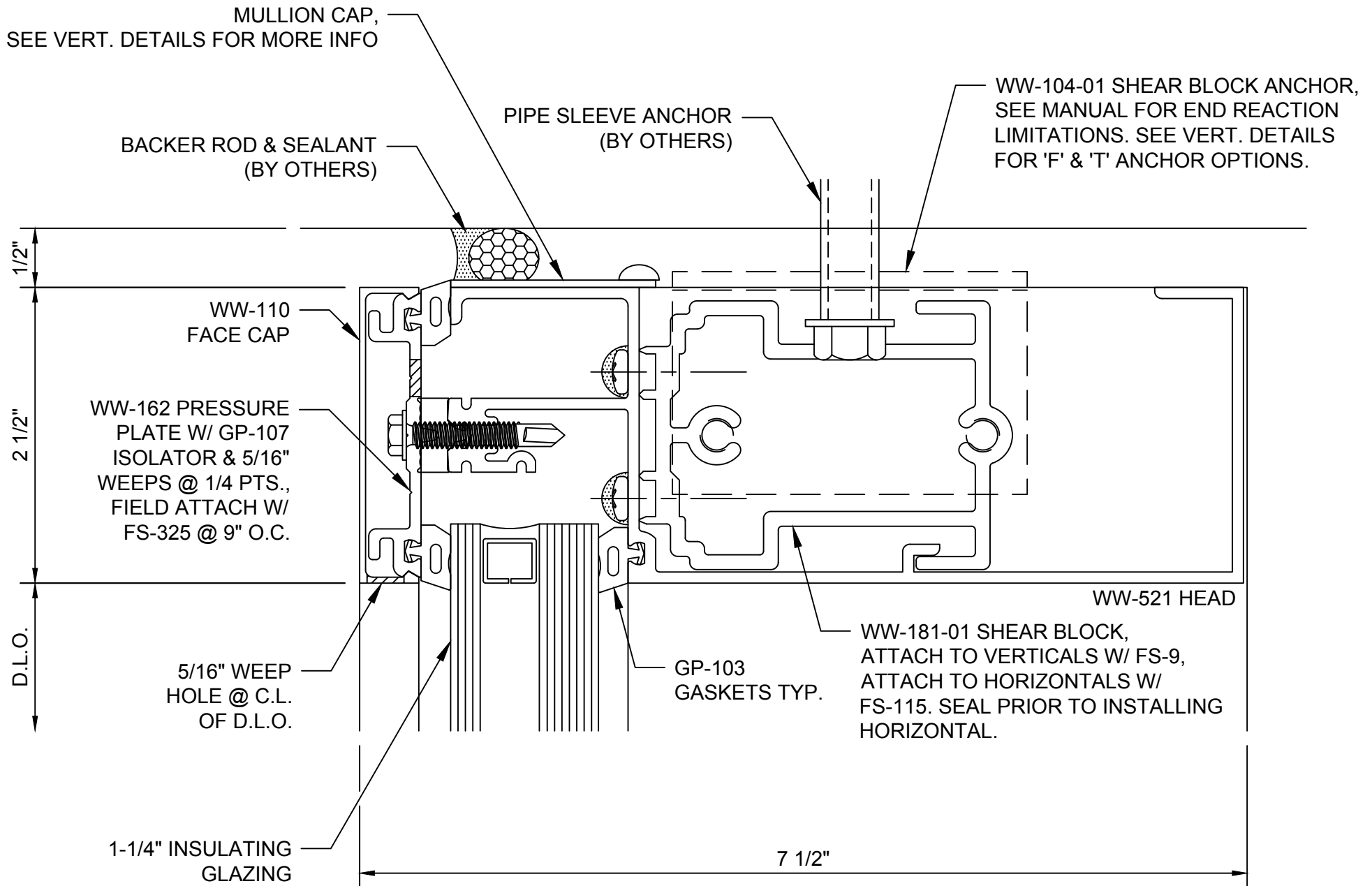


OPERABLE WINDOWS

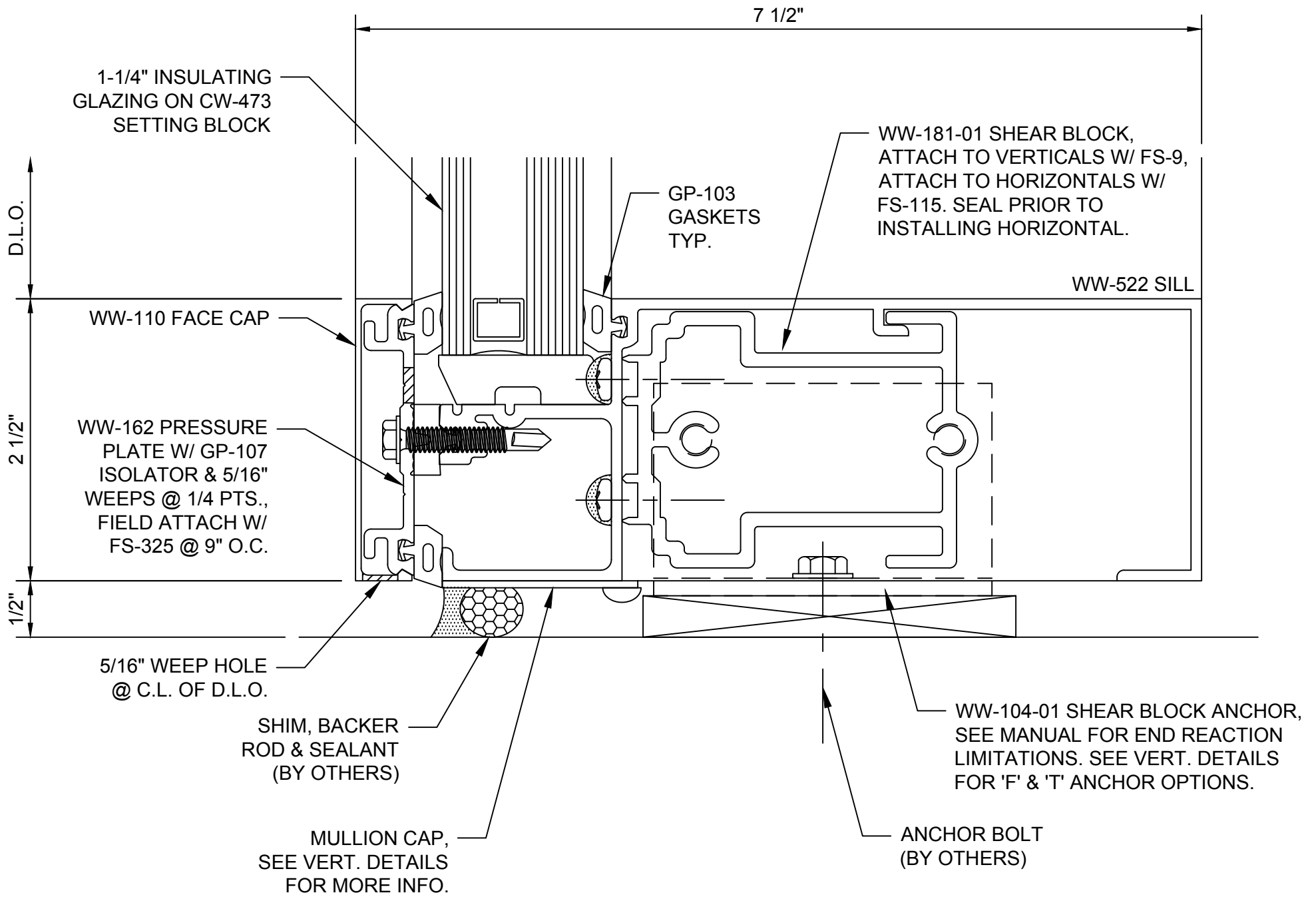
NOTE: THIS SYSTEM IS NOT INTENDED FOR USE IN BLAST OR HURRICANE RESISTANT APPLICATIONS.

Reliance™ Curtain Wall

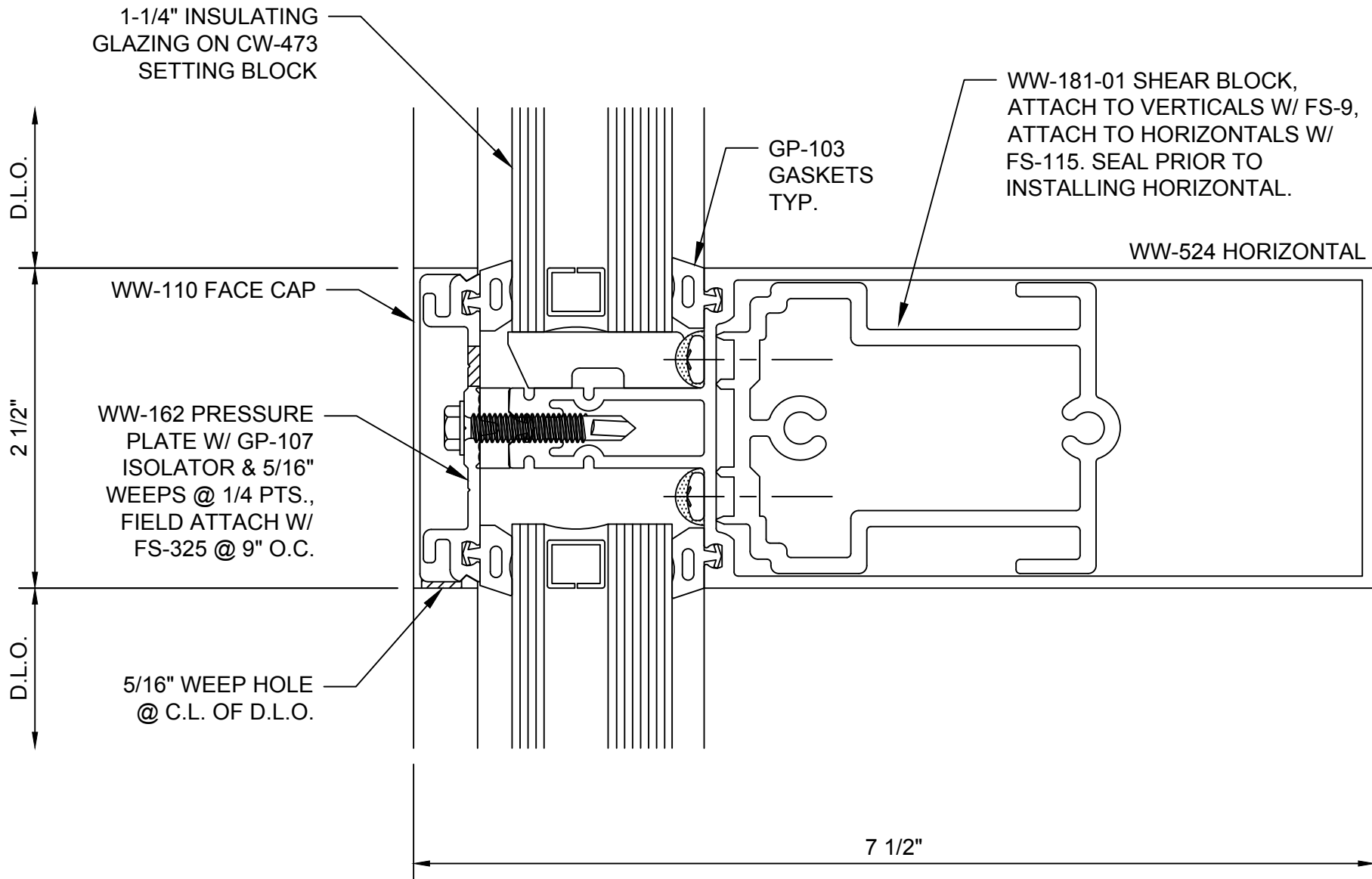
2-1/2" x 7-1/2" w/ 1-1/4" Glazing - Elevation



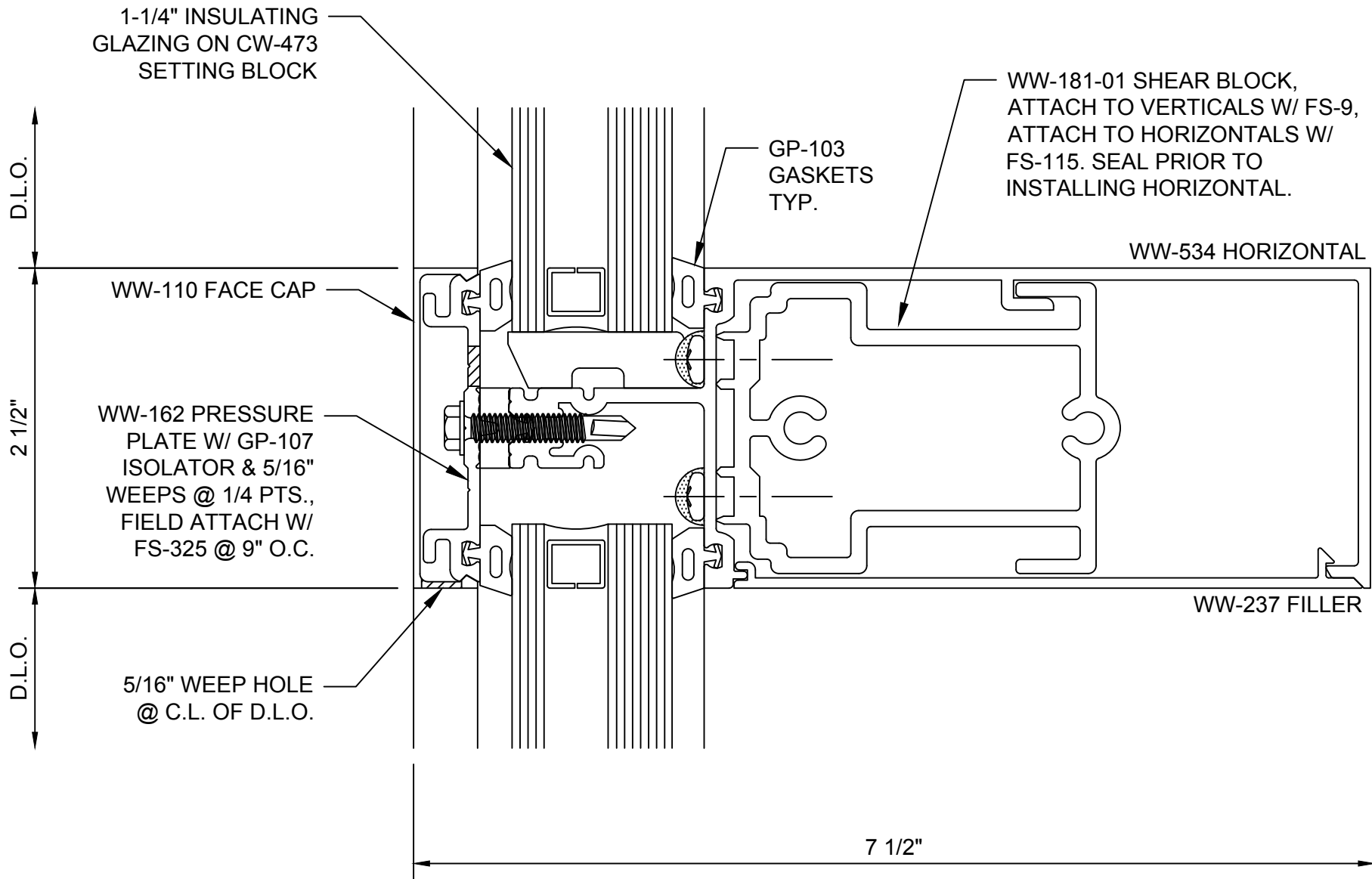
Reliance™ Curtain Wall Head at Vision - H4301



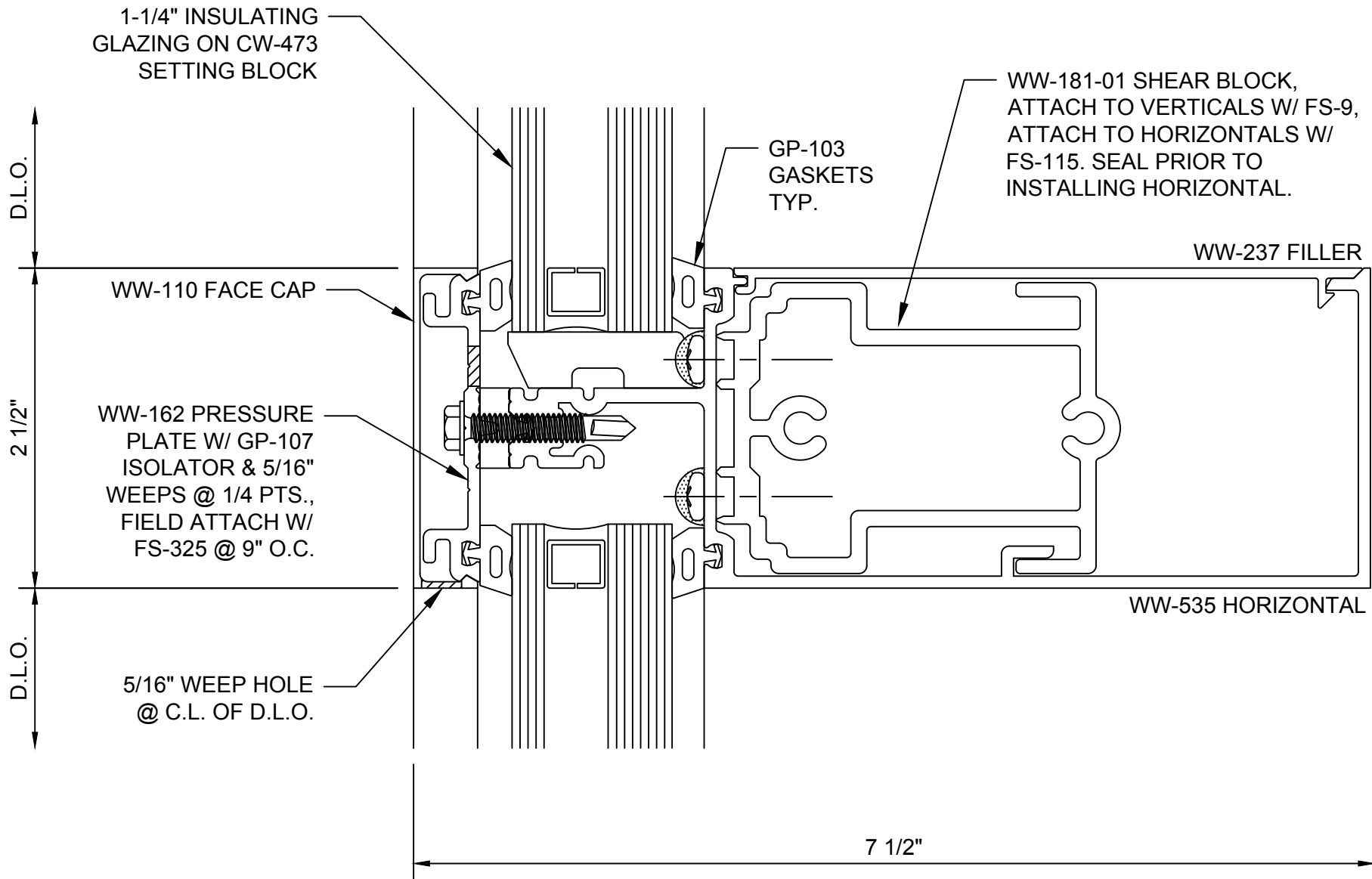
Reliance™ Curtain Wall
Sill - H4304



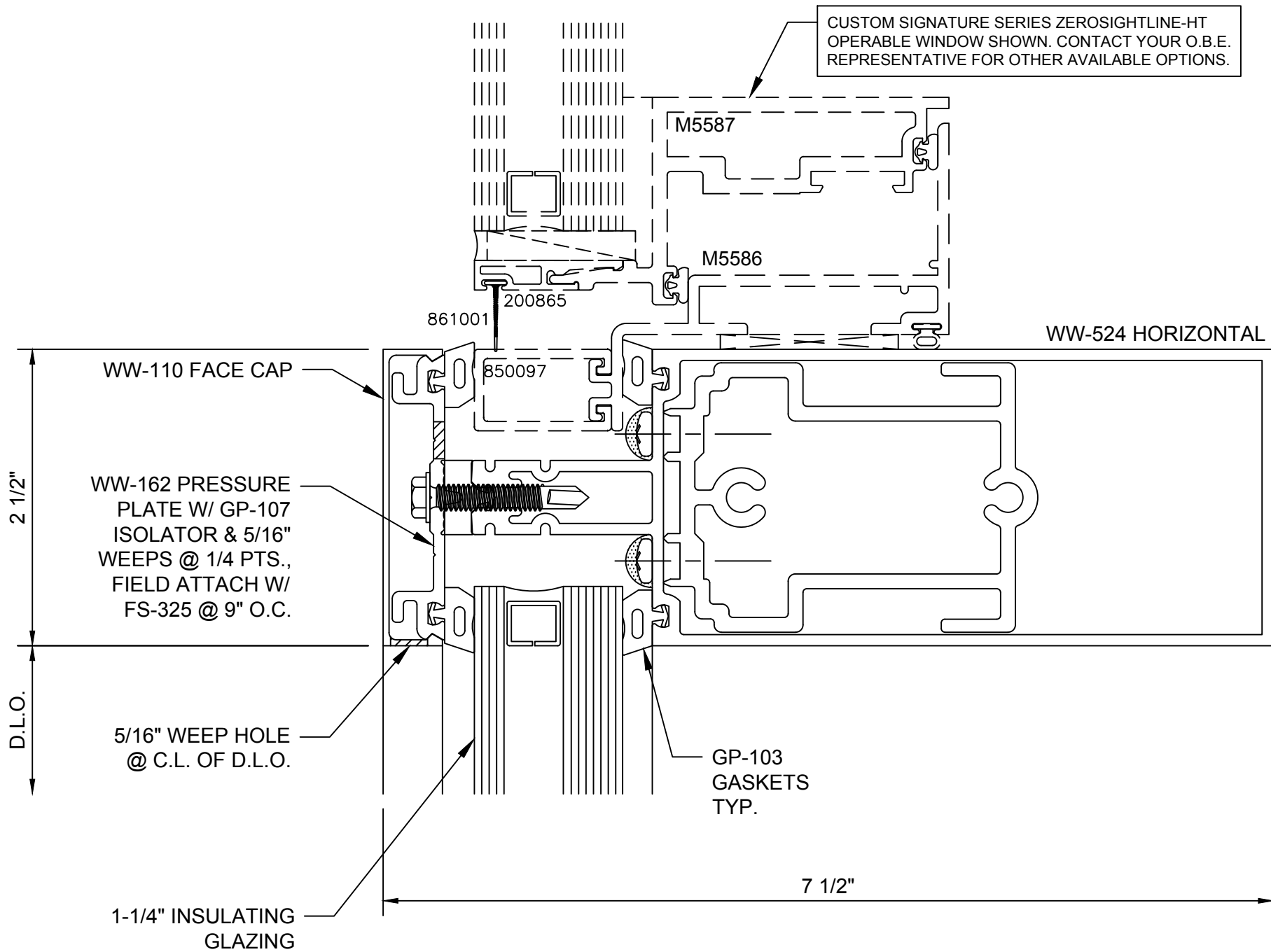
Reliance™ Curtain Wall
Intermediate Horizontal - H4305



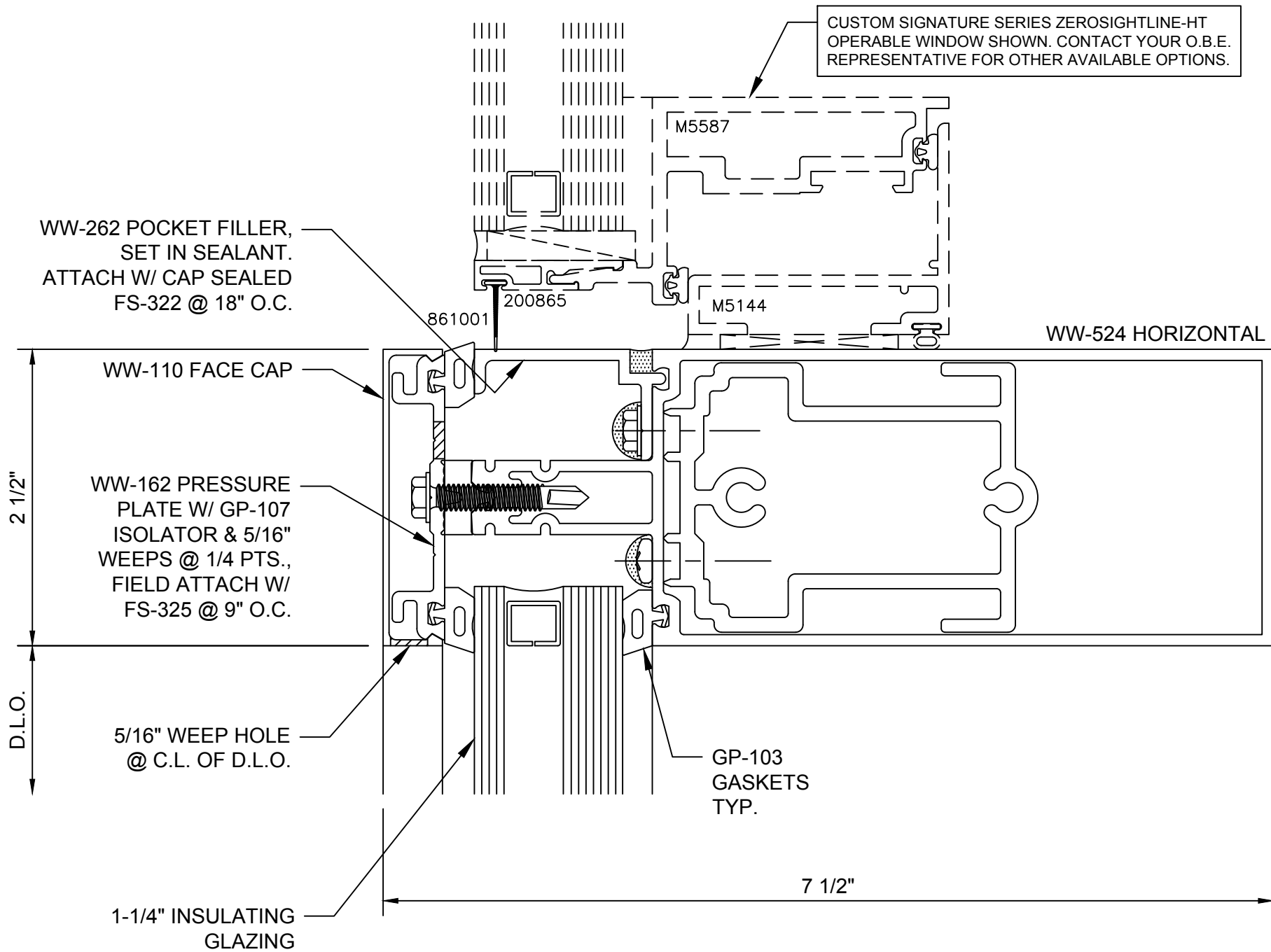
Reliance™ Curtain Wall
Roll-over Horizontal - H4308



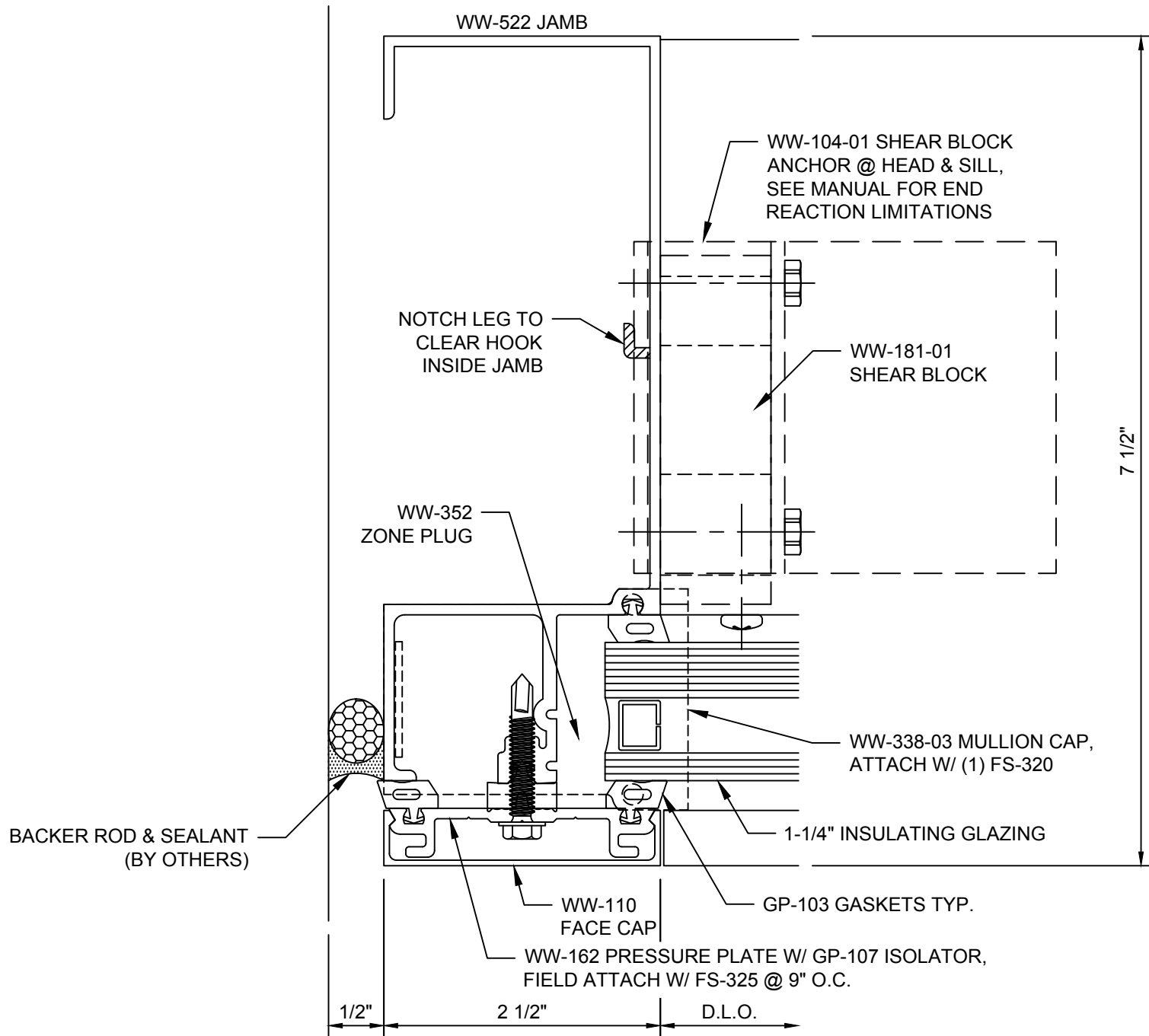
Reliance™ Curtain Wall
Roll-under Horizontal - H4309



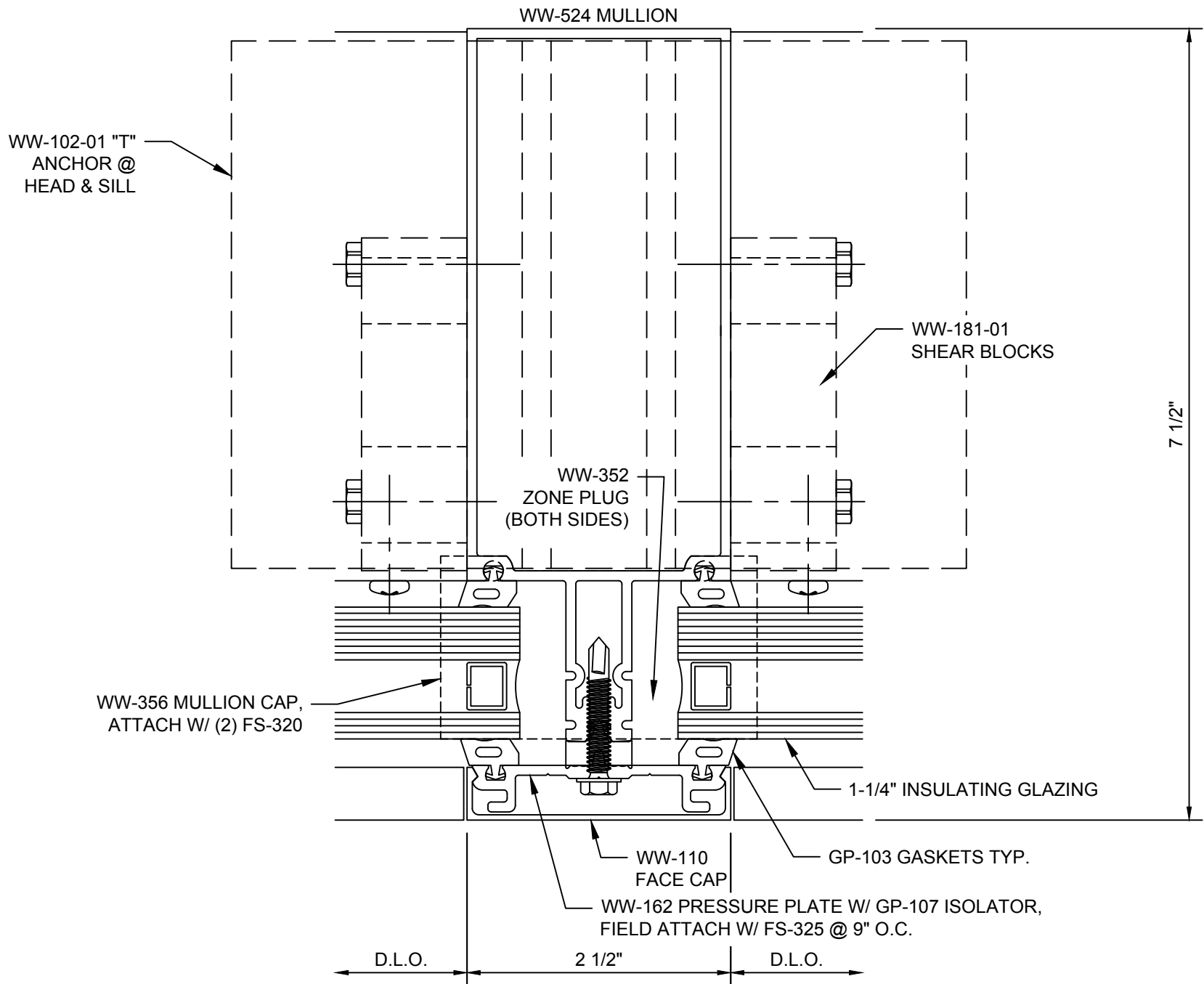
Reliance™ Curtain Wall
Horizontal at Operable Window - Pocket Frame - H4318



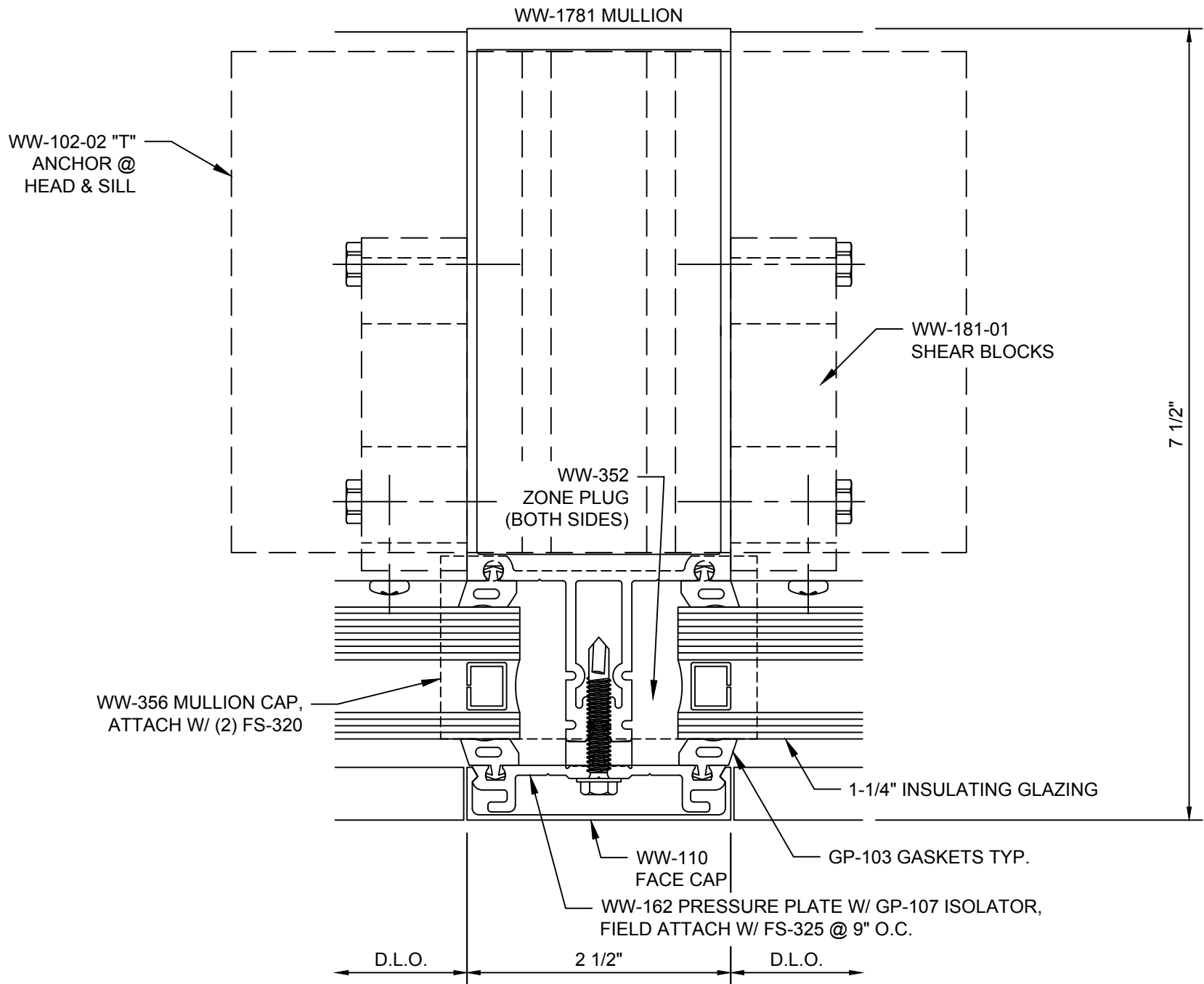
Reliance™ Curtain Wall
Horizontal at Operable Window - Flat Frame - H4319



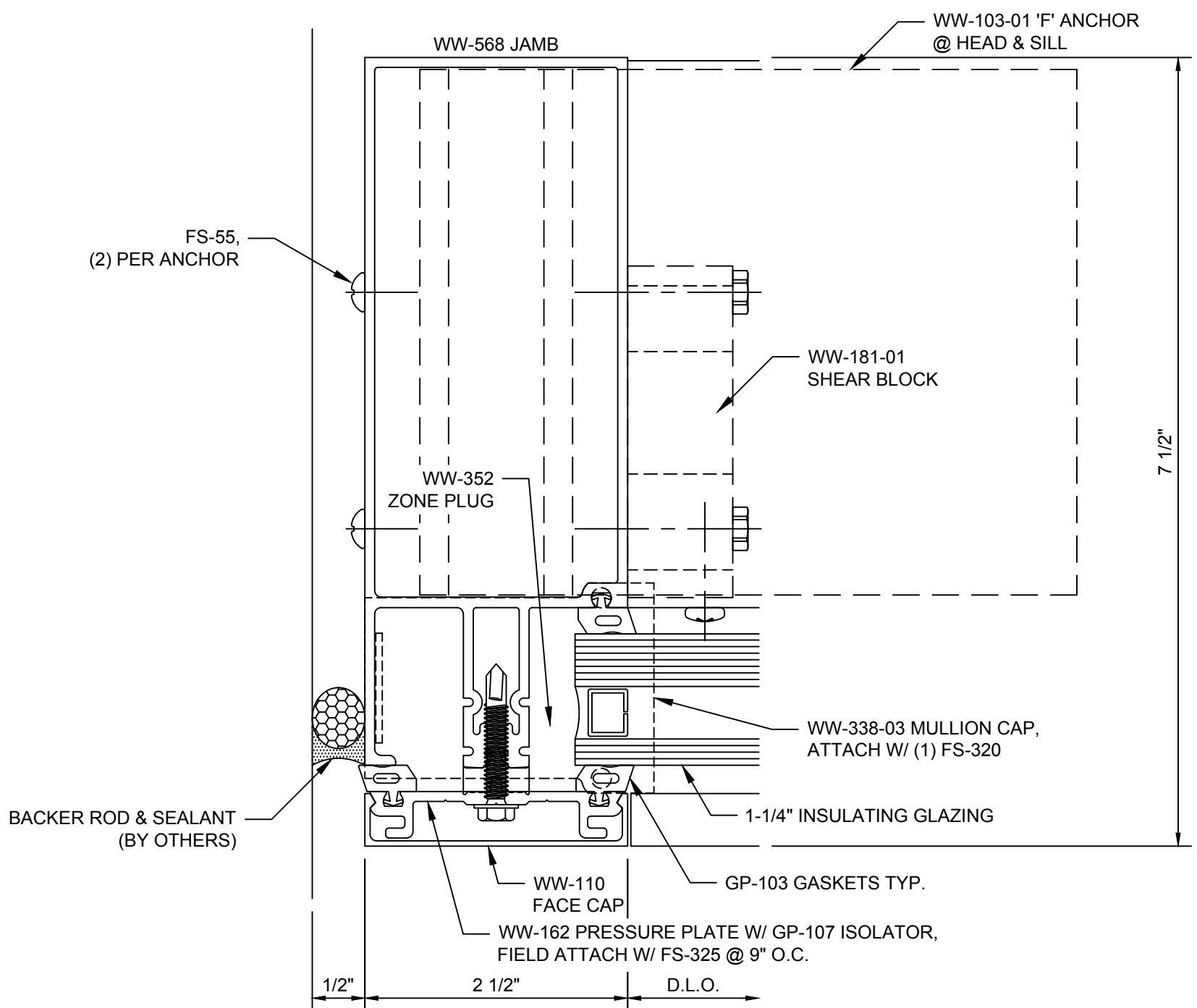
Reliance™ Curtain Wall Open Back Jamb - V4301



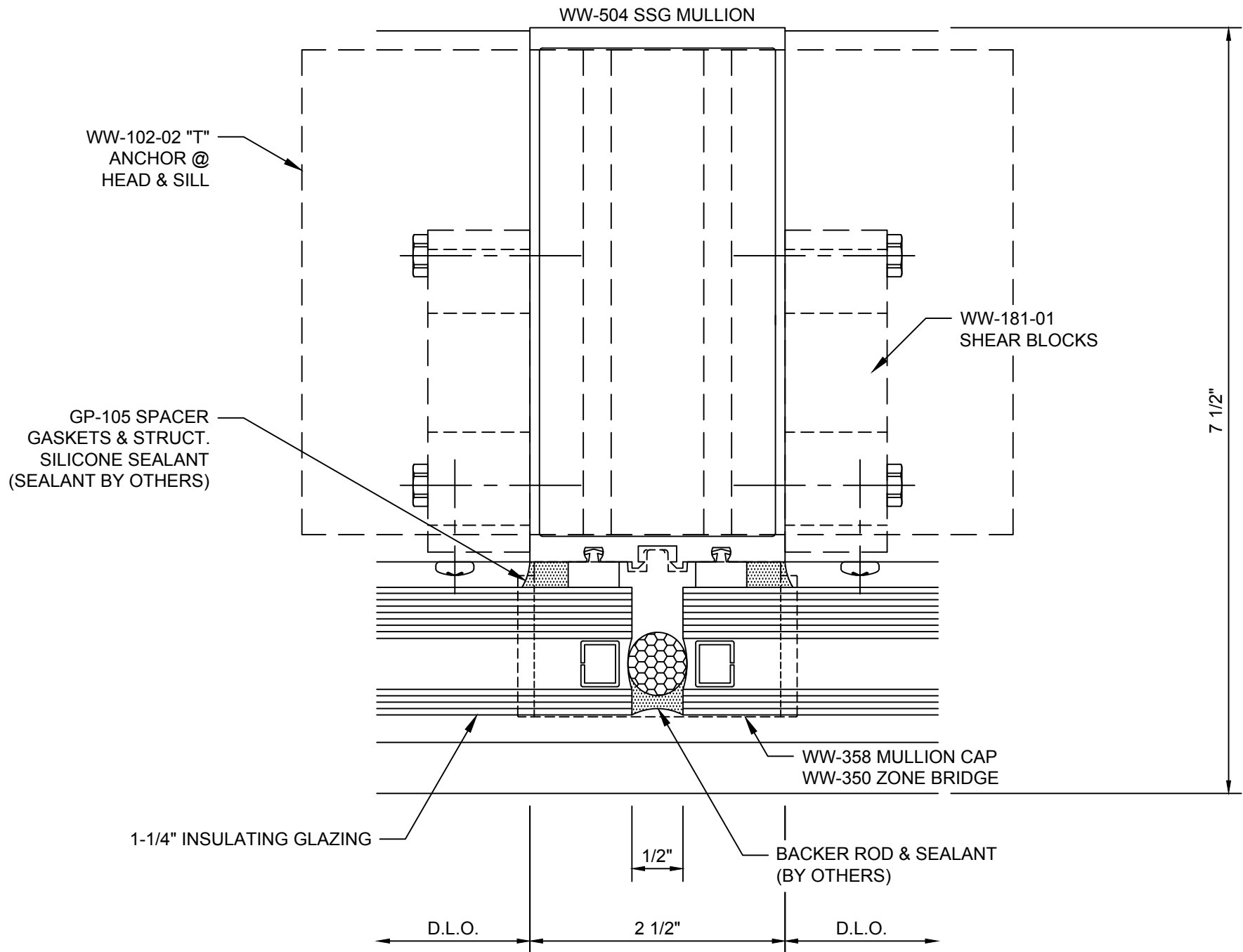
Reliance™ Curtain Wall
Typical Vertical - V4302



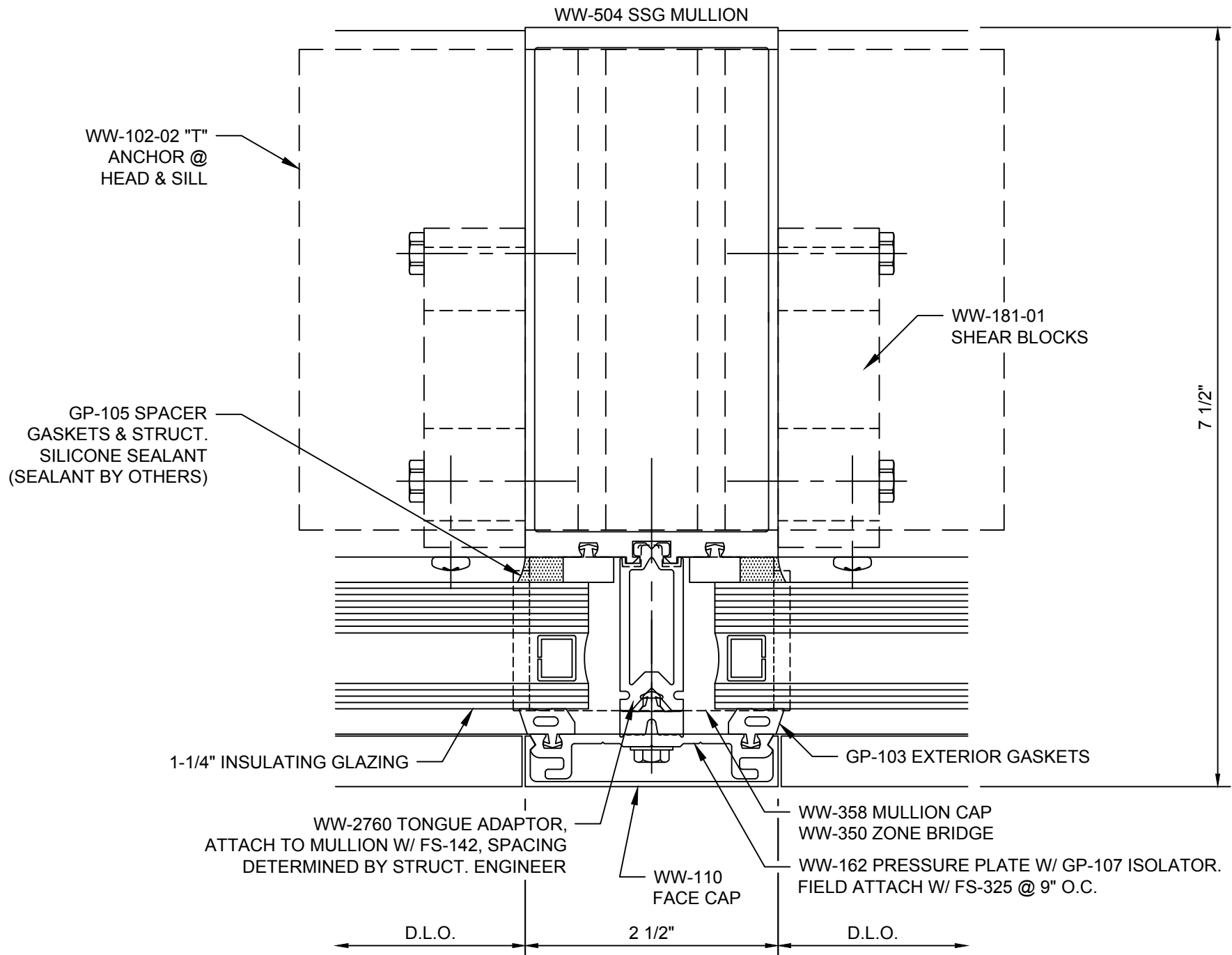
Reliance™ Curtain Wall
Heavy Vertical - V4305



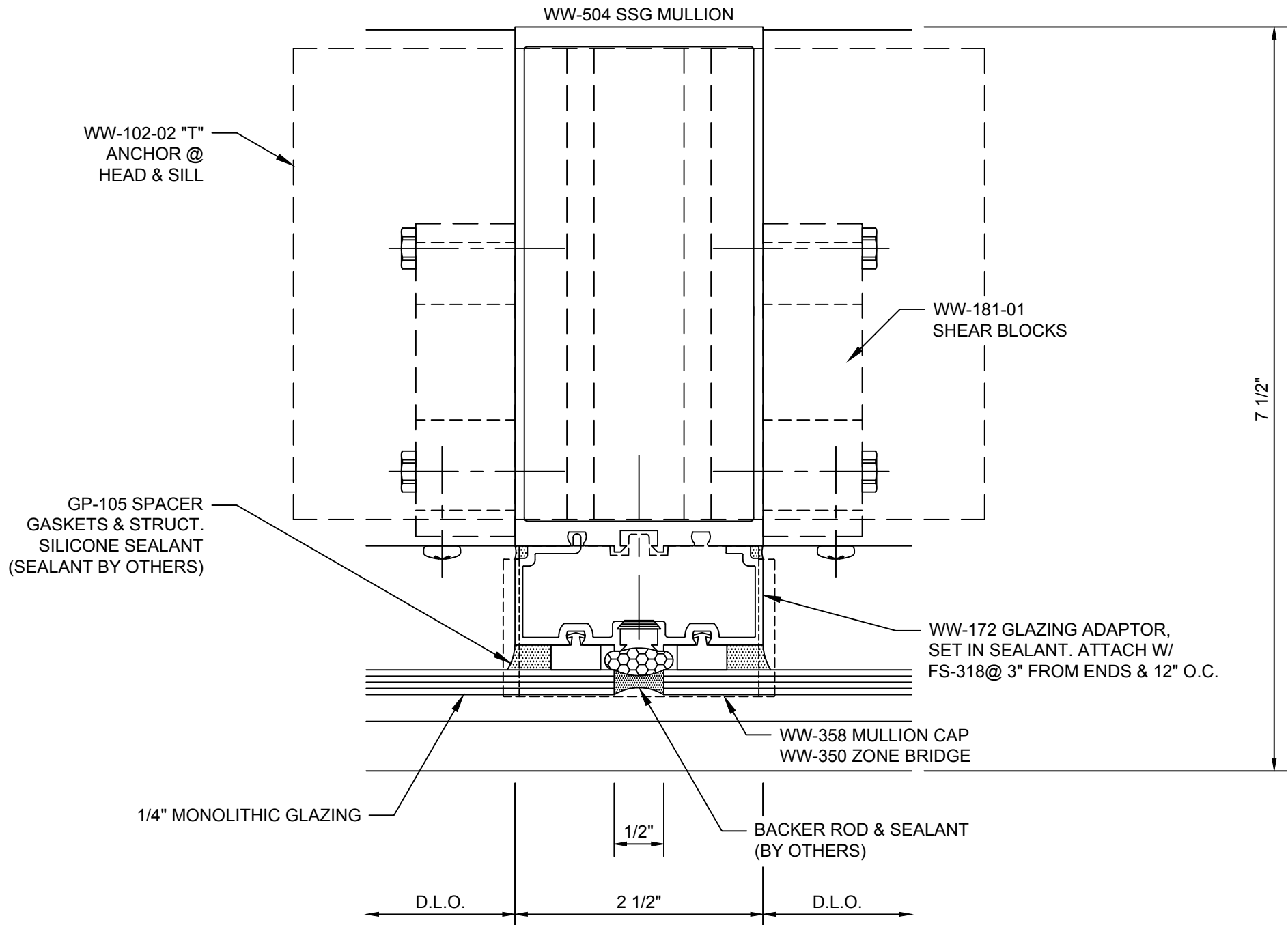
Reliance™ Curtain Wall Tubular Jamb - V4308



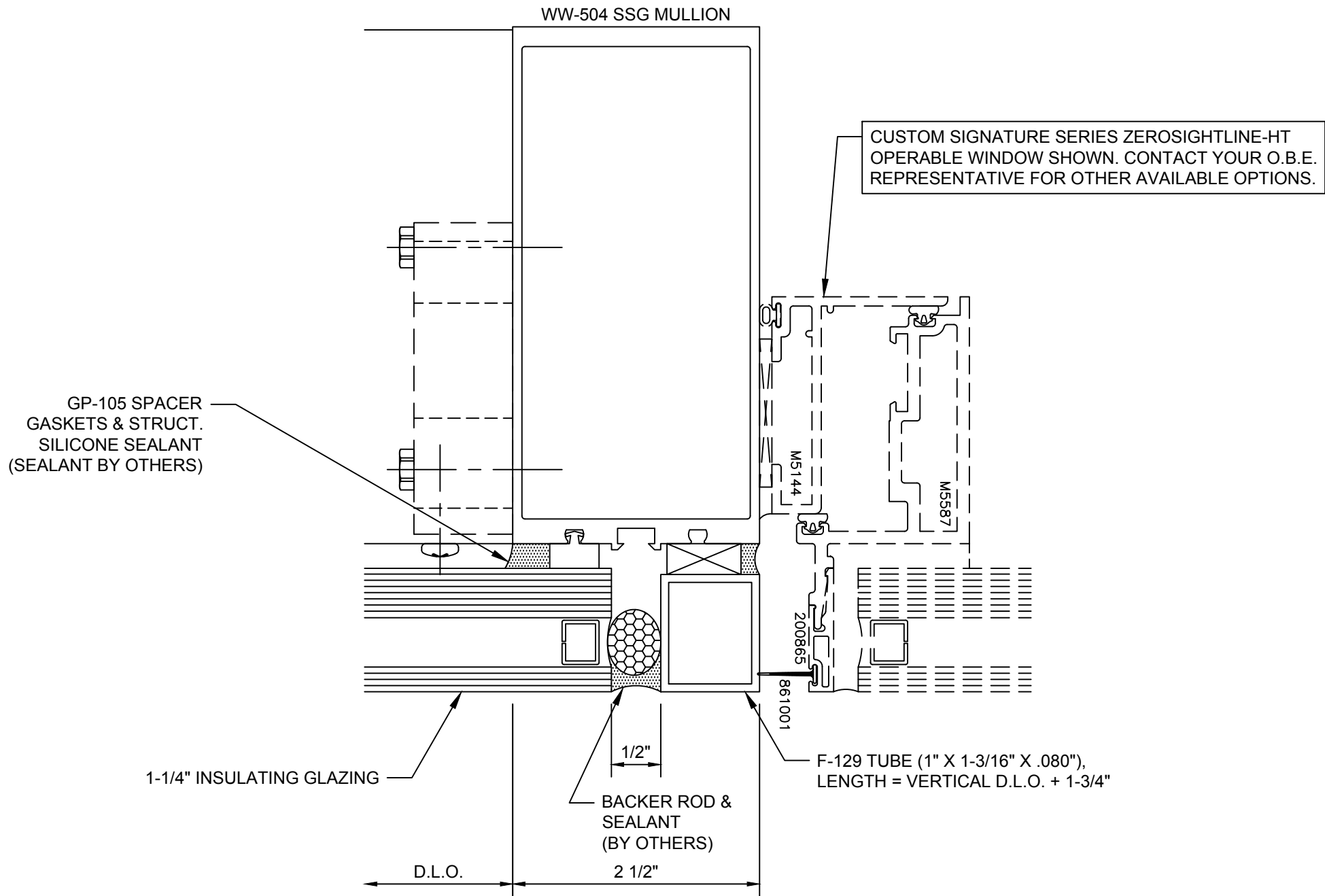
Reliance™ Curtain Wall
SSG Vertical - V4352



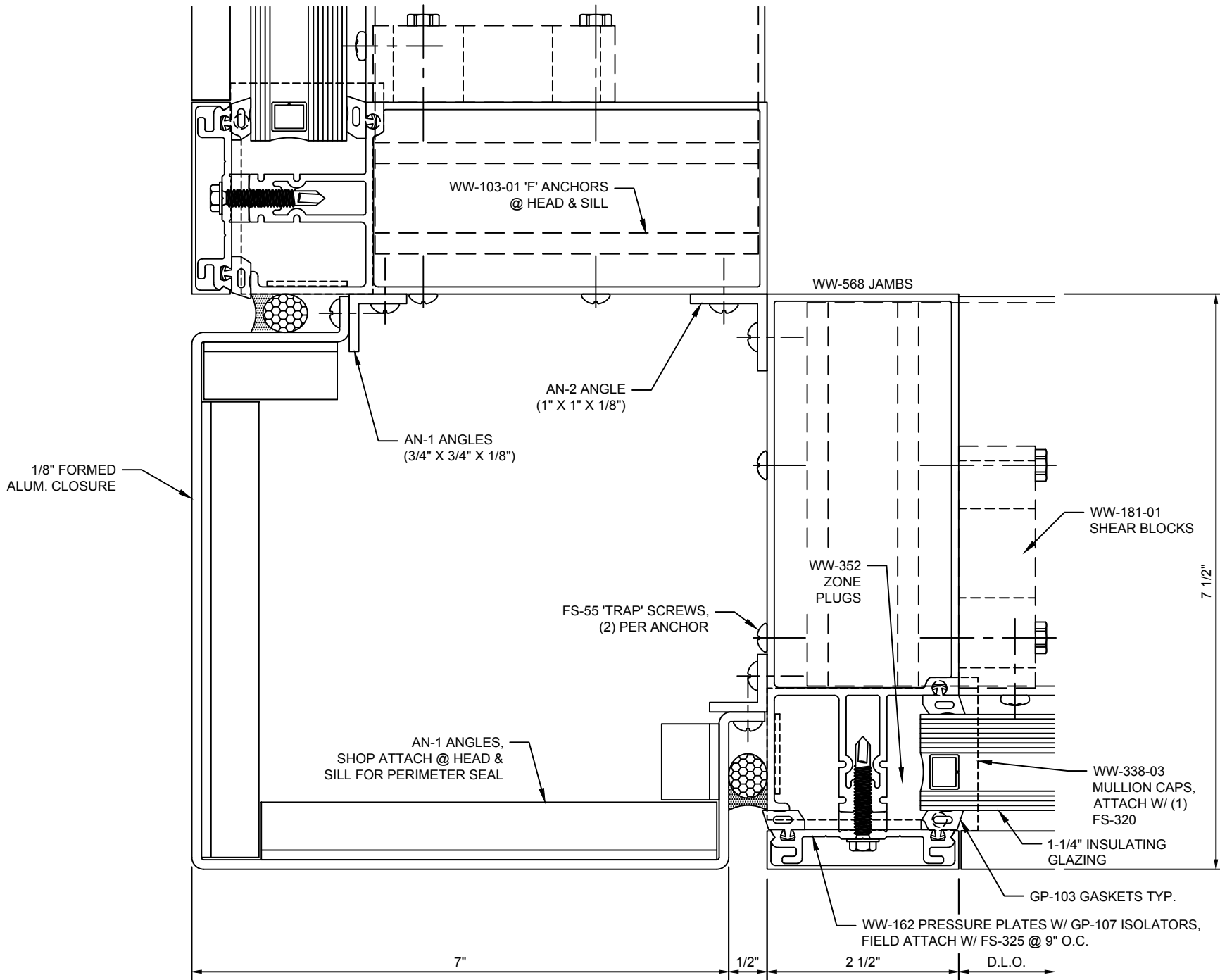
Reliance™ Curtain Wall
SSG Vertical at SSG to Captured Transition - V4352



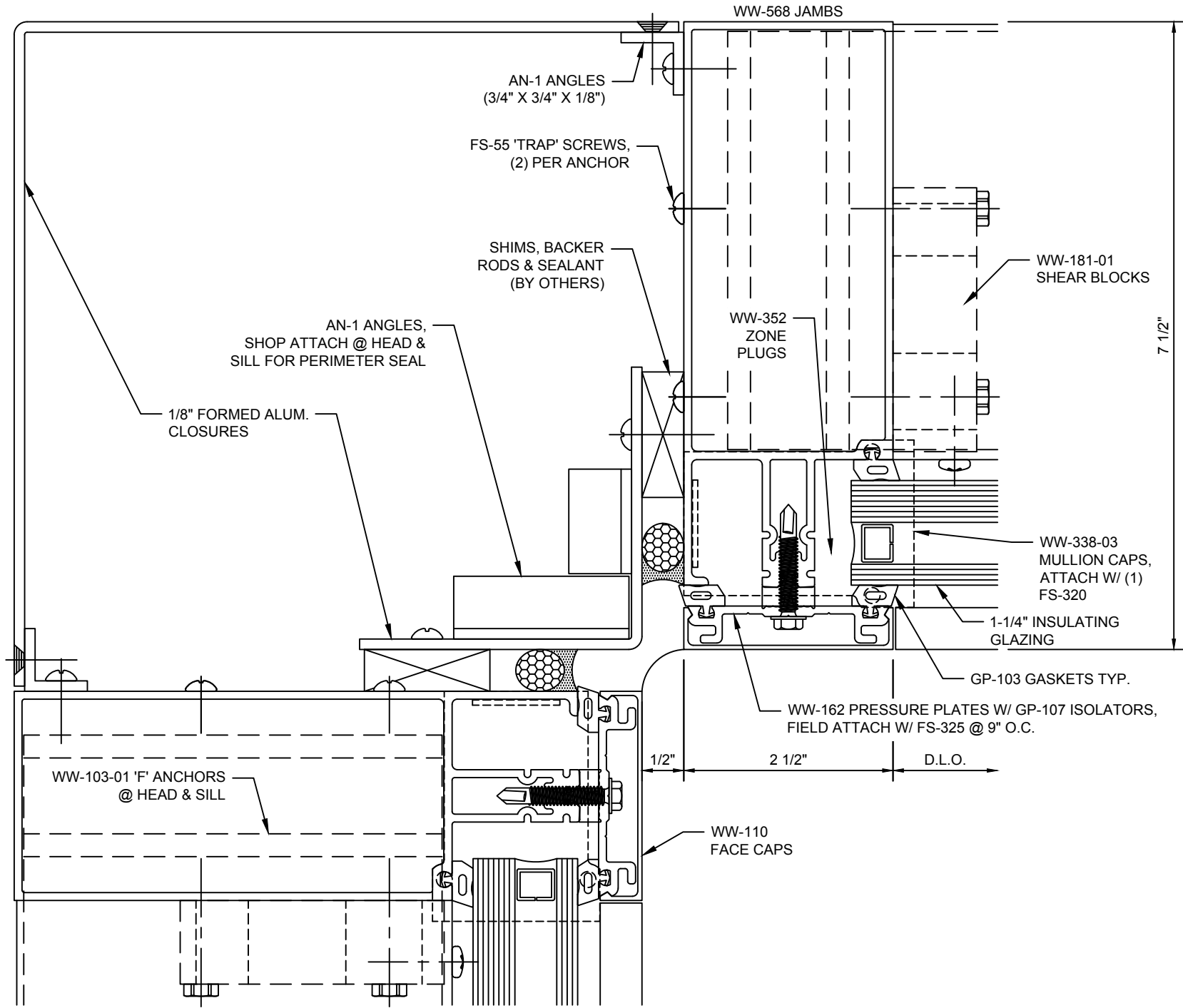
Reliance™ Curtain Wall
SSG Vertical at Spandrel - V4357



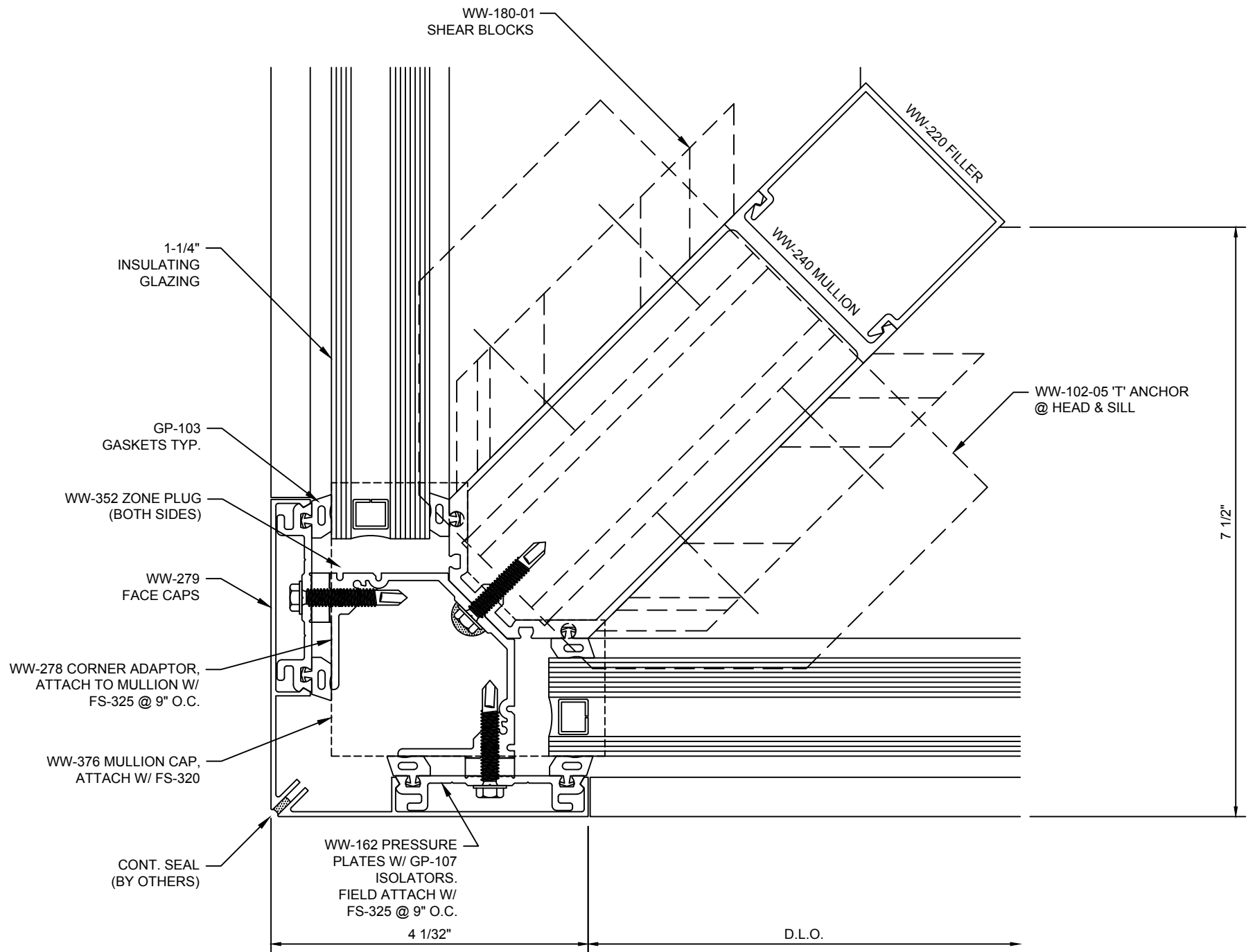
Reliance™ Curtain Wall
SSG Vertical at Operable Window - V4359



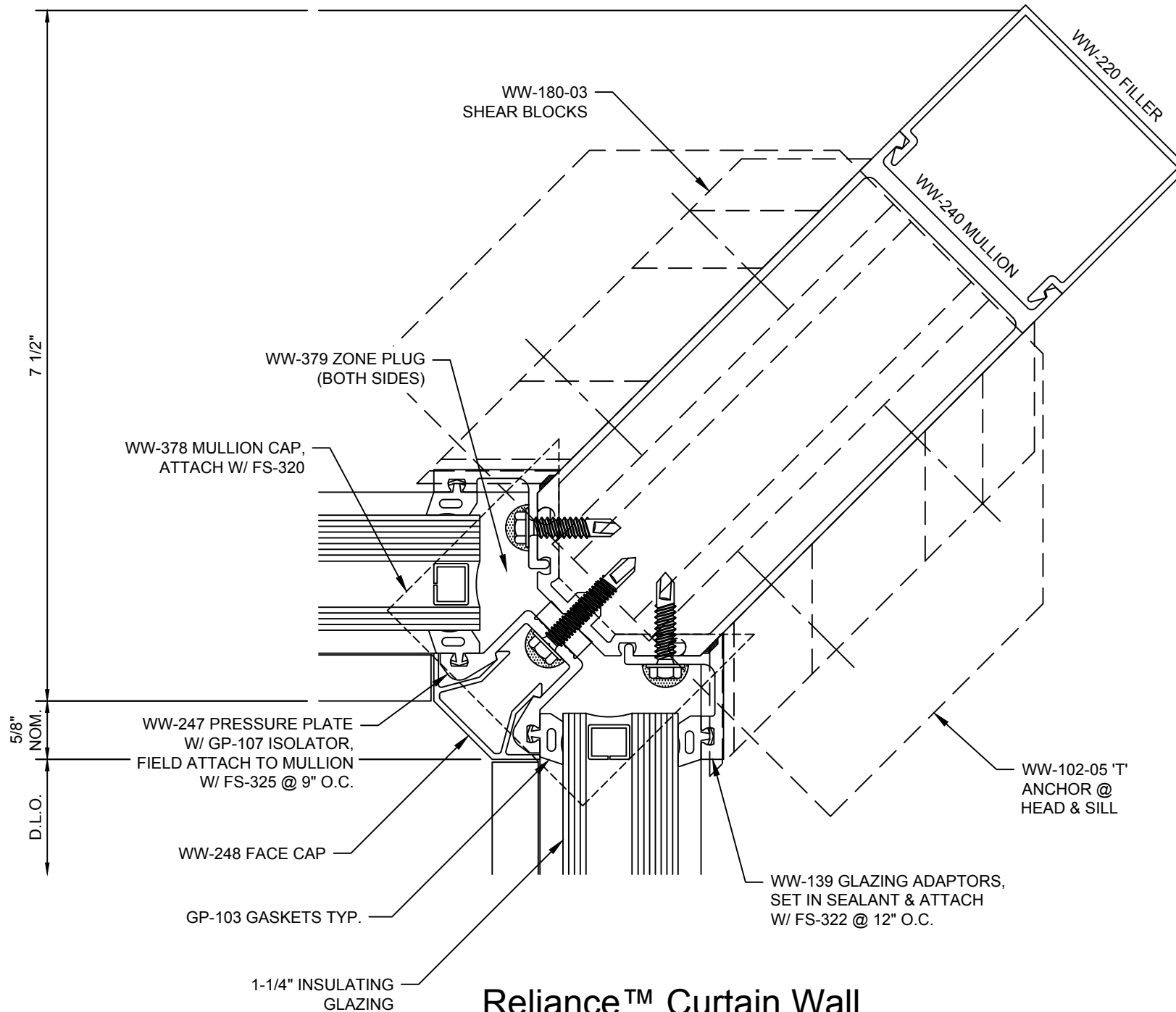
Reliance™ Curtain Wall
90° Outside Corner - 2 Mullion - V4315



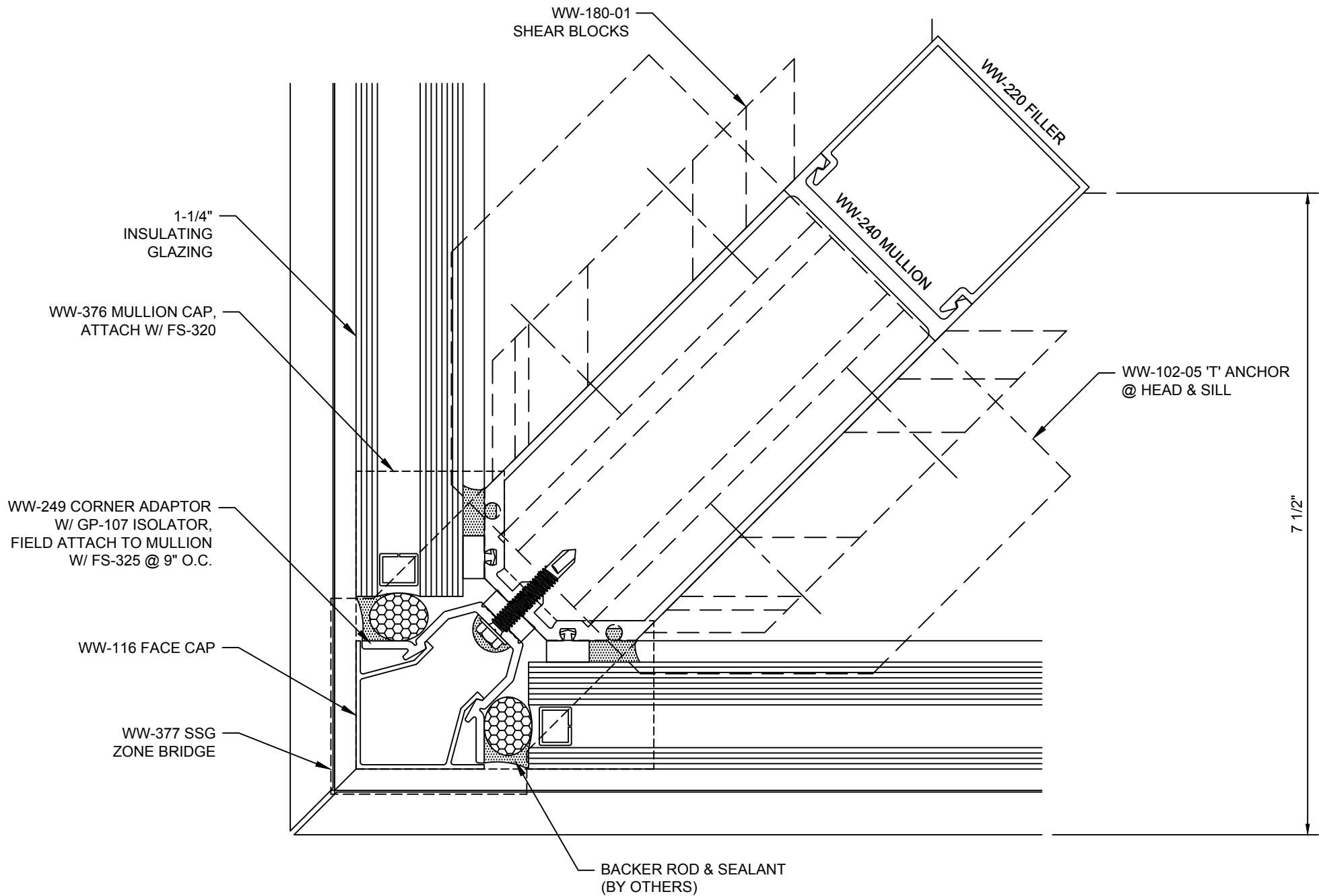
Reliance™ Curtain Wall
90° Inside Corner - 2 Mullion - V4317



Reliance™ Curtain Wall 90° Outside Corner - V4321

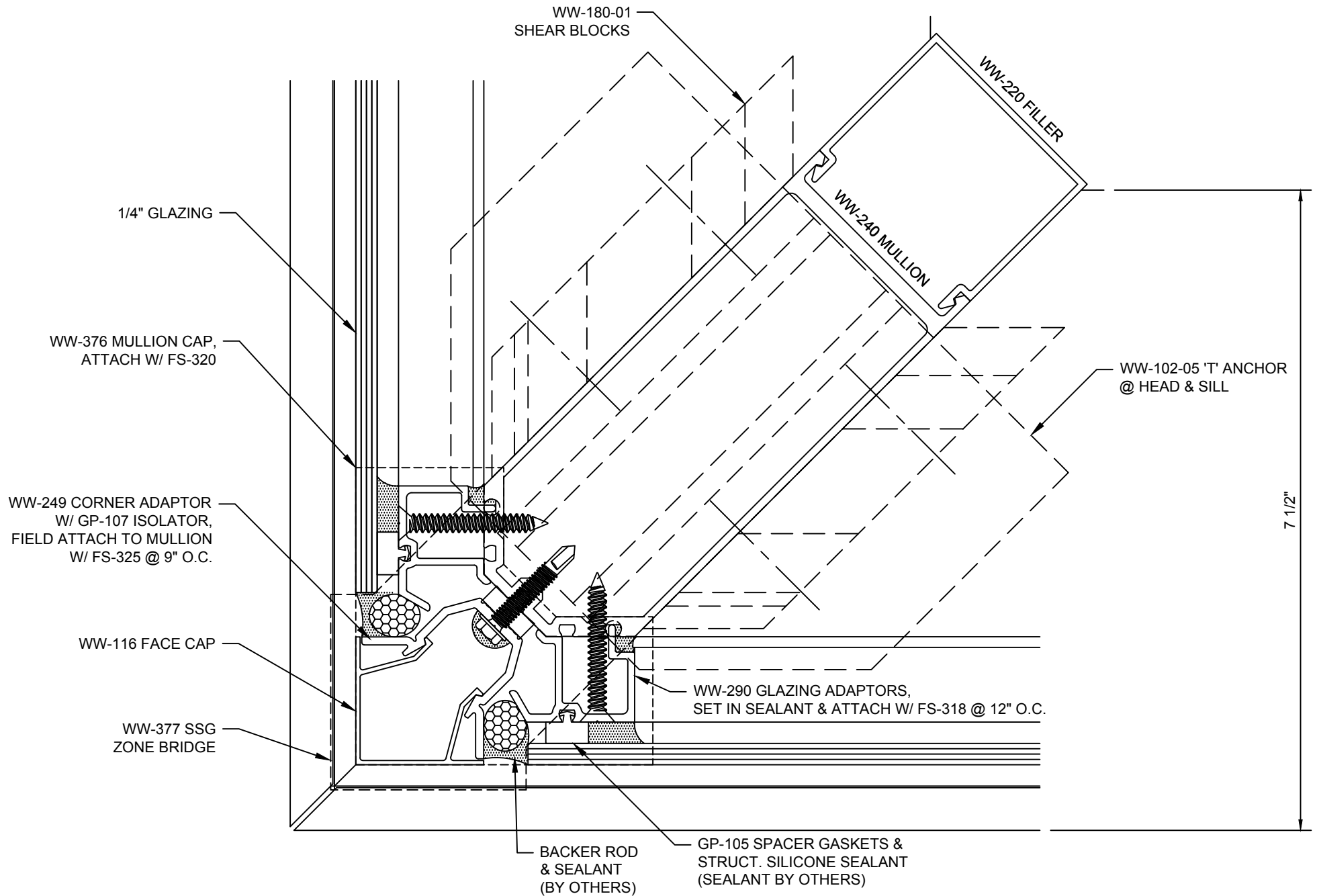


Reliance™ Curtain Wall 90° Inside Corner - V4325



Reliance™ Curtain Wall

SSG 90° Outside Corner - V4371

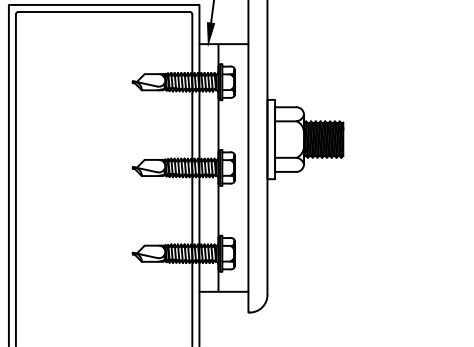


Reliance™ Curtain Wall
90° SSG Corner at Spandrel - V4372

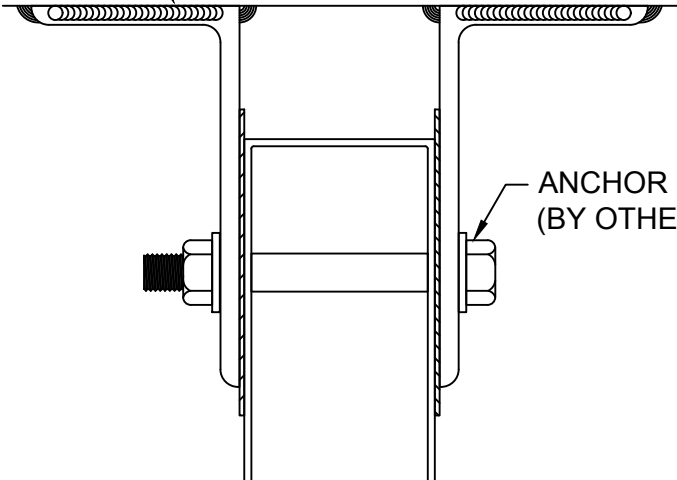
WELD AS REQUIRED BY INSTALLER

FLOOR SLAB OR BEAM

WW-2223 JAMB ANCHOR PLATE
ATTACH W/ (6) FS-336 (1/4"-20 X
1-1/8" HWH DRILL FLEX)

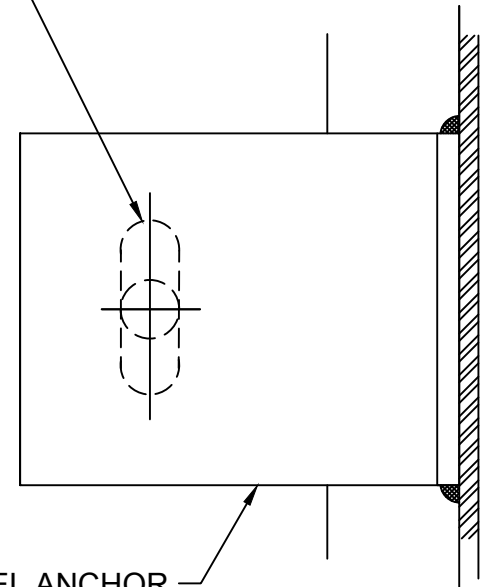


Plan View
Jamb Option



Plan View
Intermediate Mullion

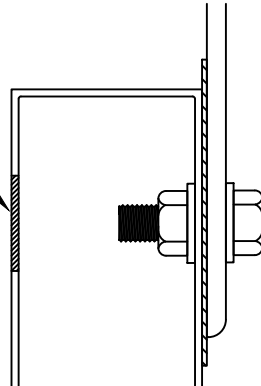
HOLE IN ANCHOR @ DEAD LOAD
SLOT IN ANCHOR @ WIND LOAD



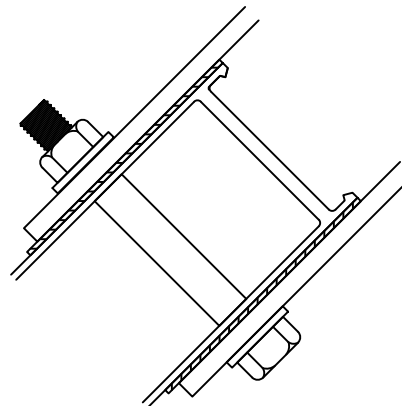
Side View

STEEL ANCHOR
DESIGN DETERMINED
BY ENGINEER. SEE
APPROVED SHOP
DRAWINGS.

ACCESS HOLE

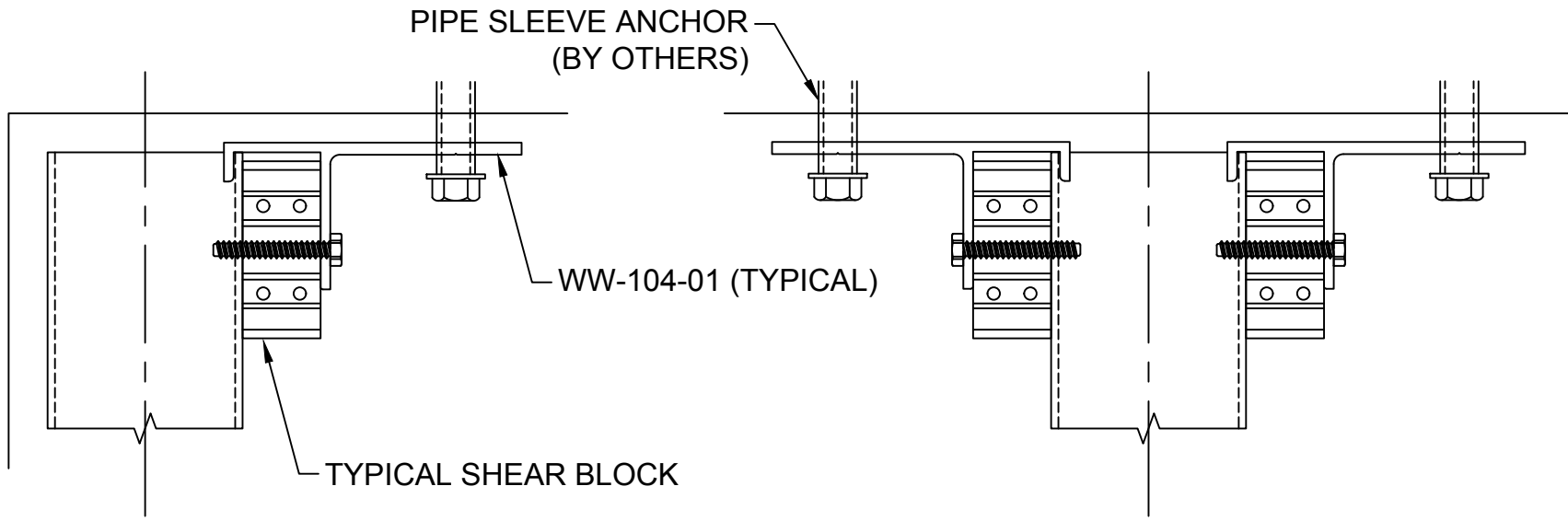


Plan View
Jamb Option



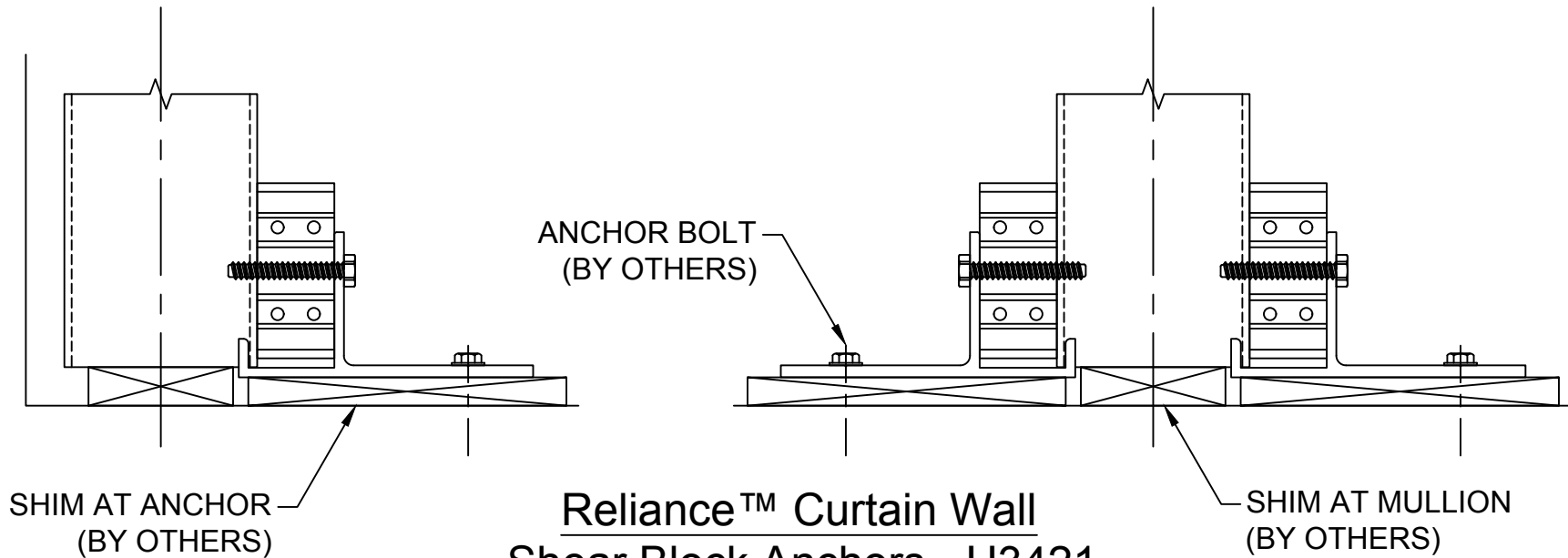
Plan View
Single Mull Corners

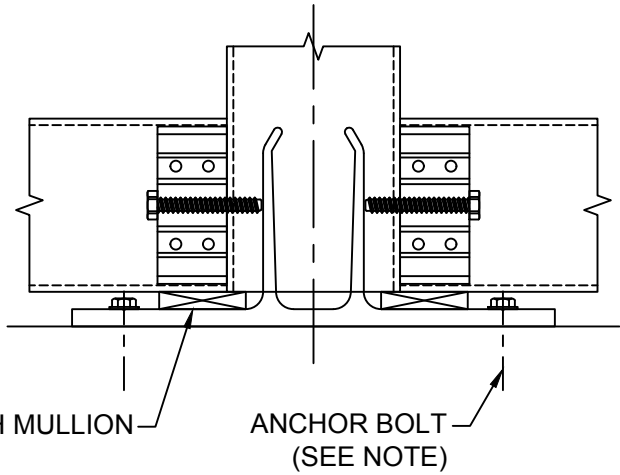
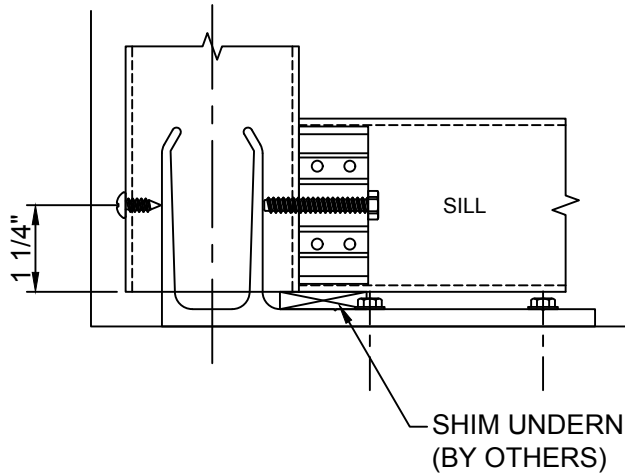
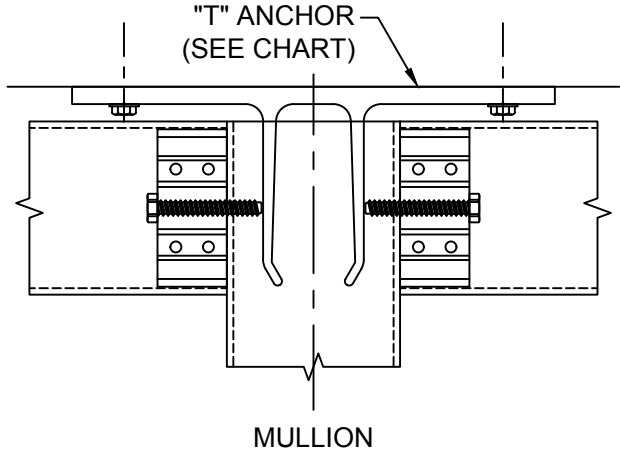
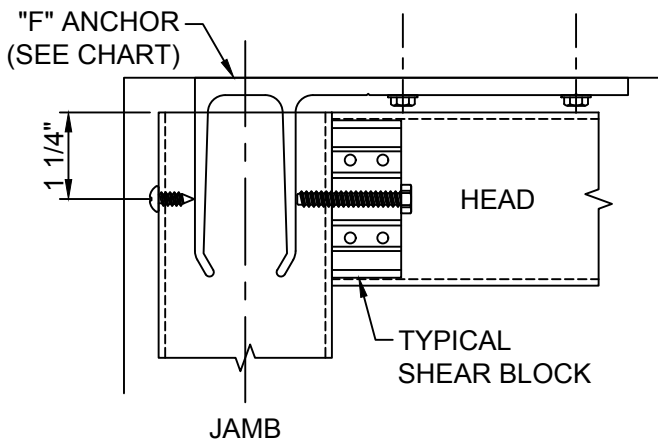
Standard Curtain Wall Steel Anchor - H0042



NOTE:

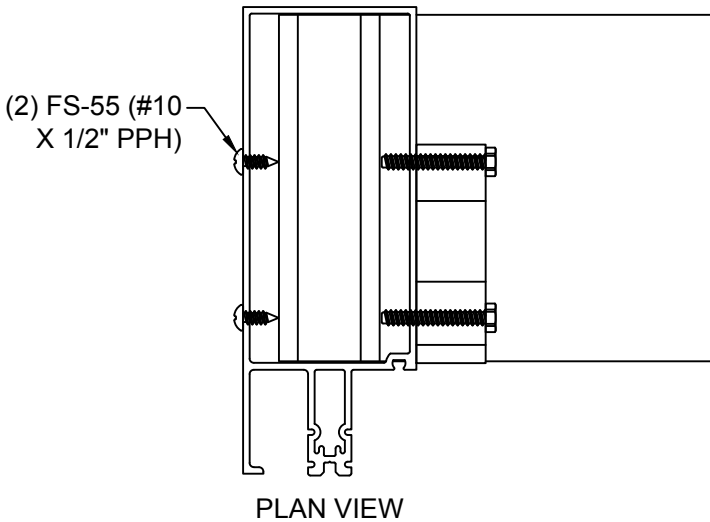
1. ANCHOR BOLT DESIGNED BY STRUCTURAL ENGINEER.
2. WWW-104-01 ALUM. ANCHOR MAXIMUM ALLOWABLE END REACTION IS 375 LBS. PER ANCHOR, I.E. 375 LBS. AT JAMB VERTICAL, 750 LBS. AT INTERMEDIATE VERTICAL.





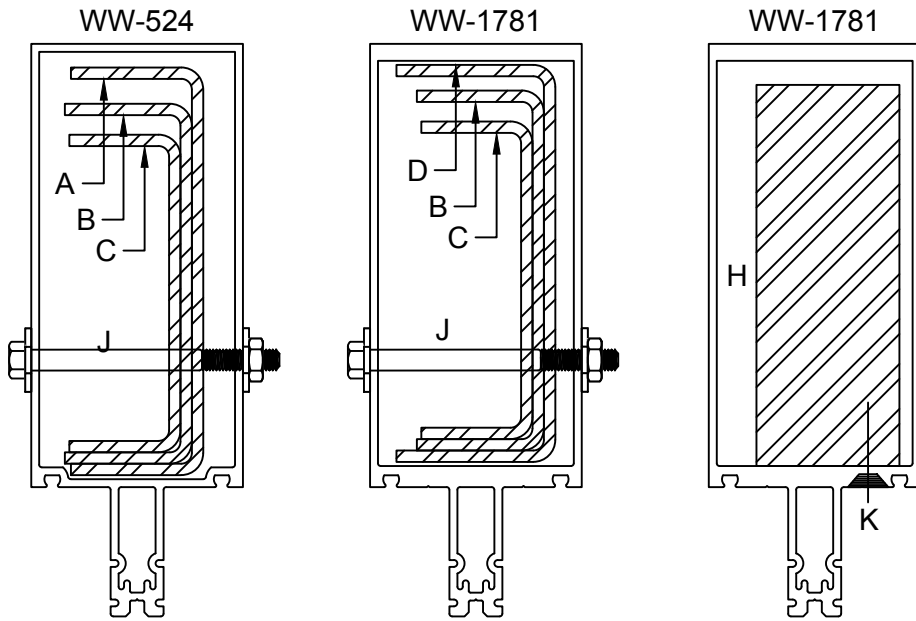
"F" ANCHOR CHART	
PART NO.	MULLION
WW-103-01	WW-524 / WW-568
WW-103-02	WW-504 / WW-1781

"T" ANCHOR CHART	
PART NO.	MULLION
WW-102-01	WW-524
WW-102-02	WW-504 / WW-1781
WW-102-05	WW-240 (90° CORNER)

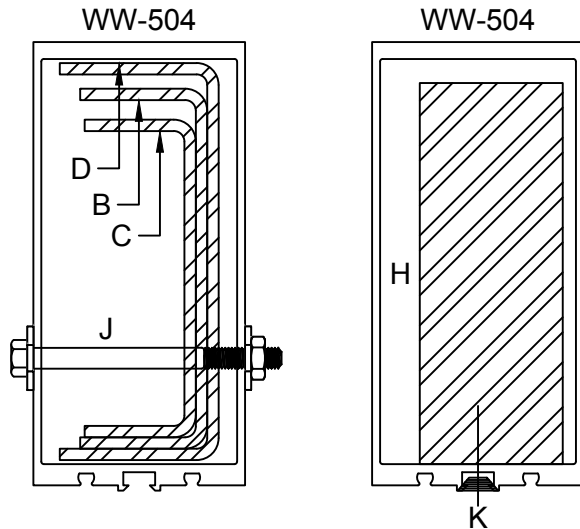


NOTE:
 1. ANCHOR BOLT SIZE AND LOCATION DETERMINED BY STRUCTURAL ENGINEER

Reliance™ Curtain Wall "F" & "T" Anchors - H4325



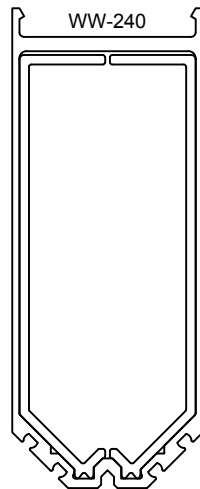
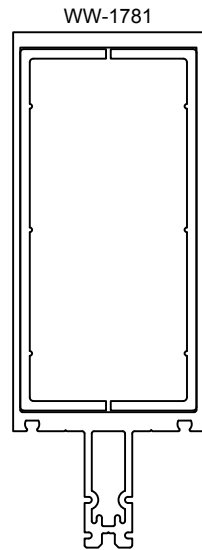
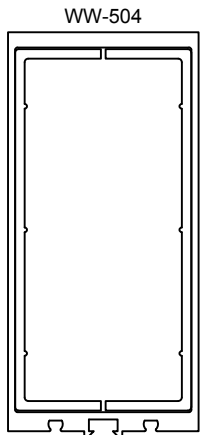
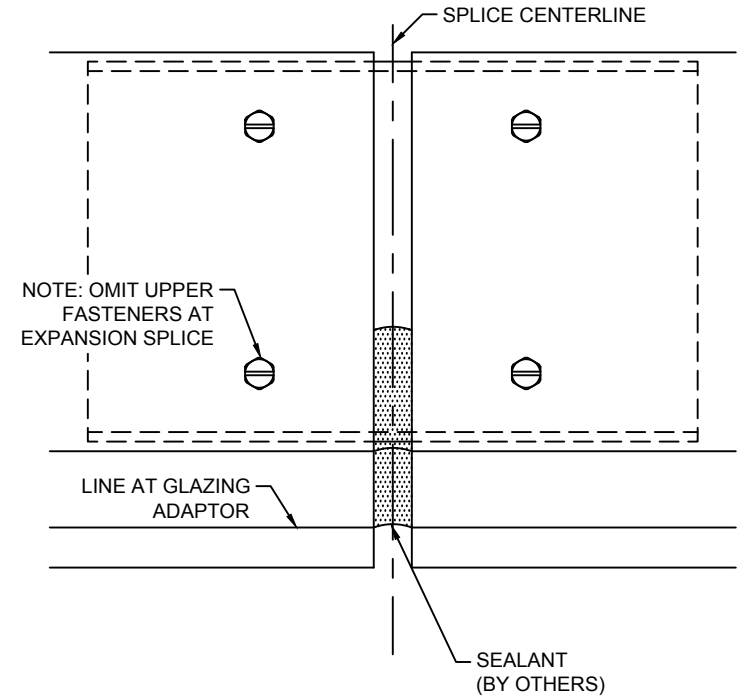
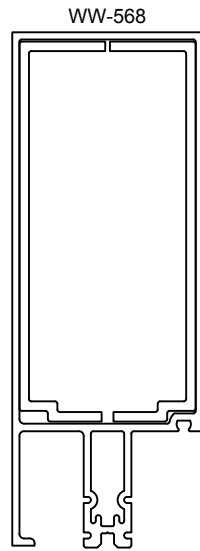
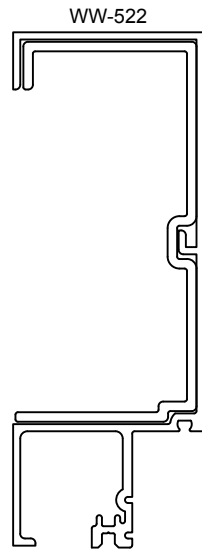
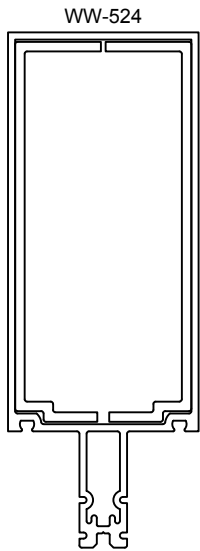
STEEL REINFORCING CHART	
A	RS-19 (1 9/16" X 4 13/16" 10 GA.)
B	PP-16 (1 1/2" X 4 1/4" 10 GA.)
C	PP-17 (1 5/16" X 3 3/4" 10 GA.)
D	RS-18 (1 7/8" X 4 11/16" 10 GA.)
E	RS-22 (1 9/16" X 3 9/16" 10 GA.)
F	RS-21 (1 1/2" X 3" 10 GA.)
G	RS-23 (1 7/8" X 3 7/16" 10 GA.)
H	STEEL BAR OPTION (BY OTHERS)
J	1/4"-20 X 3" HEX HEAD BOLT 1/4"-20 HEX NUT & WASHERS
K	FS-259 (1/4"-20 X 1" PFH)



SEE APPROVED SHOP DRAWINGS FOR SPECIFIC REQUIREMENTS.

REF. INSTALLATION MANUAL FOR ADDITIONAL INFO.

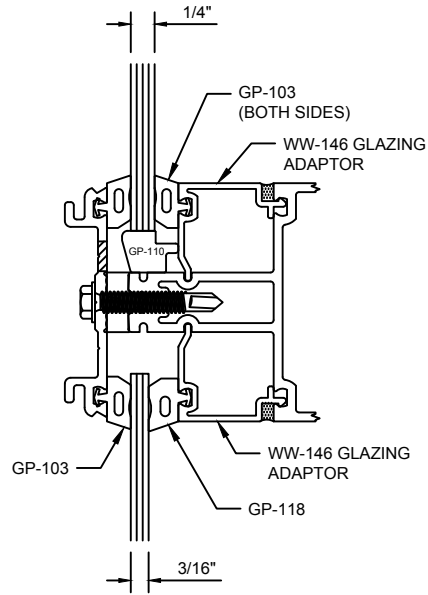
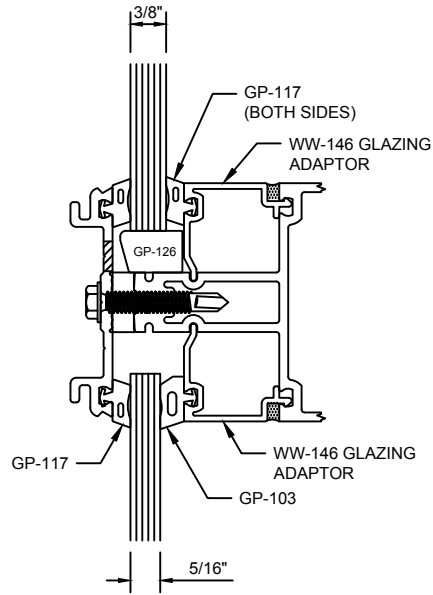
Reliance™ Curtain Wall Steel Reinforcement - H4330



7-1/2" SYSTEM DEPTH (1-1/4" GLAZING)	
MULLION	SPLICE
WW-504	CW-74
WW-522	WW-294-01
WW-524	WW-194-01
WW-568	WW-194-01
WW-240	WW-191-01
WW-1781	CW-74

REFERENCE INSTALLATION MANUAL FOR ADDITIONAL SPLICE INFO.

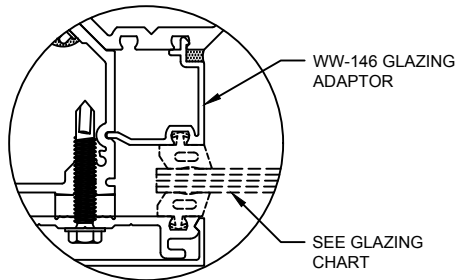
Reliance™ Curtain Wall Mullion Splice - H4343



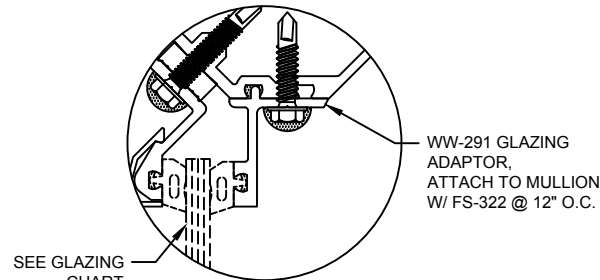
SPANDREL GLAZING CHART			
GLAZING THICKNESS	GASKET EXTERIOR	GASKET INTERIOR	GLAZING ADAPTOR
3/16" (0.188)	GP-103	GP-118	WW-146
1/4" (0.250)	GP-103	GP-103	WW-146
5/16" (0.313)	GP-117	GP-103	WW-146
3/8" (0.375)	GP-117	GP-117	WW-146

NOTES:

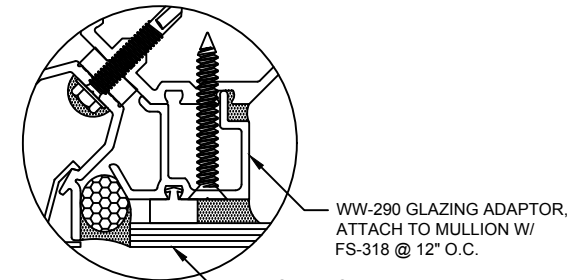
1. Glass pocket = 3/4" with glazing adaptors
2. Glazing adaptors set in sealant (sealant by others)
3. Single mullion captured corners unavailable w/ FRP pressure plate option



90° OUTSIDE CAPTURED CORNER

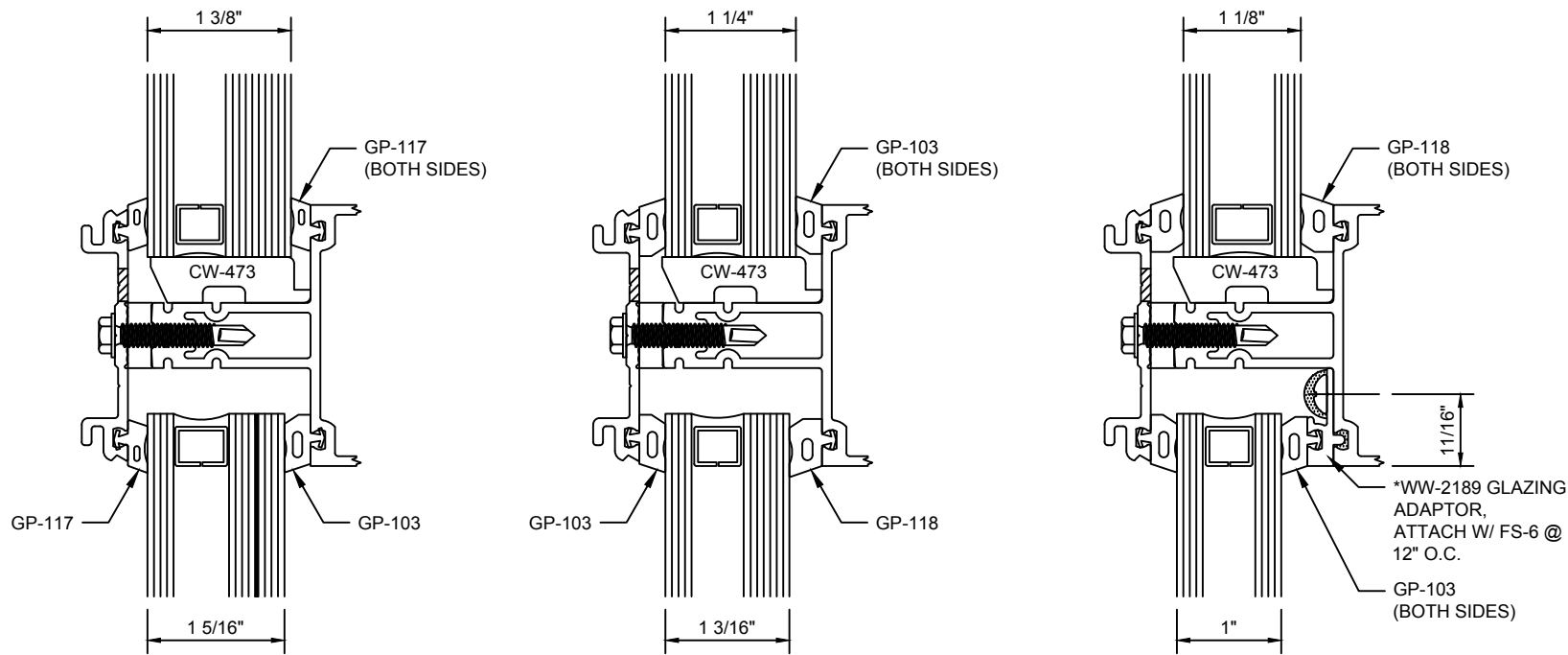


90° INSIDE CAPTURED CORNER



90° OUTSIDE SSG CORNER

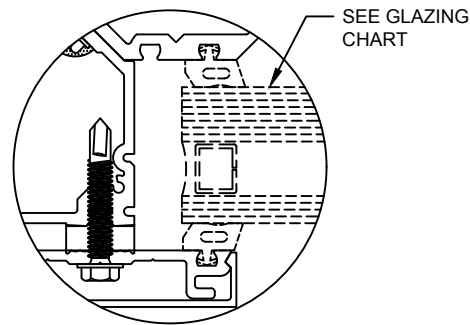
Reliance™ Curtain Wall Spandrel Glazing Options - H4346



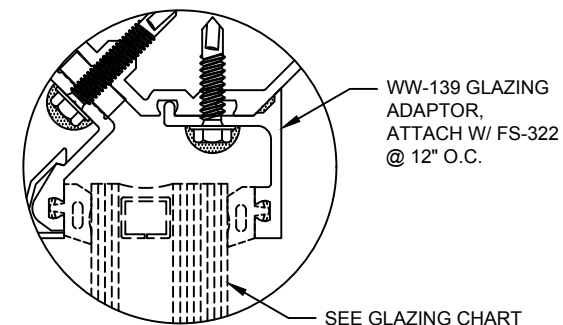
NOTES:

1. Glass pocket = 1-3/4" typical or 1-1/2" w/ WW-2189 glazing adaptor
2. Glazing adaptors set in sealant (sealant by others)
3. * denotes non-stock item
4. 1" glazing option unavailable w/ single mullion corners
5. Single mullion captured corners unavailable w/ FRP pressure plate option

VISION GLAZING CHART			
GLAZING THICKNESS	GASKET EXTERIOR	GASKET INTERIOR	GLAZING ADAPTOR
1" (1.0)	GP-103	GP-103	* WW-2189
1-1/8" (1.125)	GP-118	GP-118	
1-3/16" (1.188)	GP-103	GP-118	
1-1/4" (1.250)	GP-103	GP-103	
1-5/16" (1.313)	GP-103	GP-117	
1-3/8" (1.375)	GP-117	GP-117	



90° OUTSIDE CORNER



90° INSIDE CORNER

**Reliance™ Curtain Wall
Vision Glazing Options - H4348**