

# Oldcastle BuildingEnvelope®

1-866-Oldcastle (653-2278) - [www.obe.com](http://www.obe.com)

## RELIANCE CURTAIN WALL 2-1/2" X 6-1/2" - 1/4" GLAZING

Elev-Reliance-2.5x5.25

### Horizontal Details

H3701	Head
H3704	Sill
H3705	Typical Horizontal
H3708	Roll-Over Horizontal
H3719	Flat Frame Operable Window

### Vertical Details

V3701	Jamb - Open Back
V3702	Typical Vertical
V3705	Heavy Vertical
V3708	Jamb - Tubular
V3752	SSG Vertical
V3753	SSG Vertical at Transition to Captured
V3759	SSG Vertical at Operable Window

### Corner Details

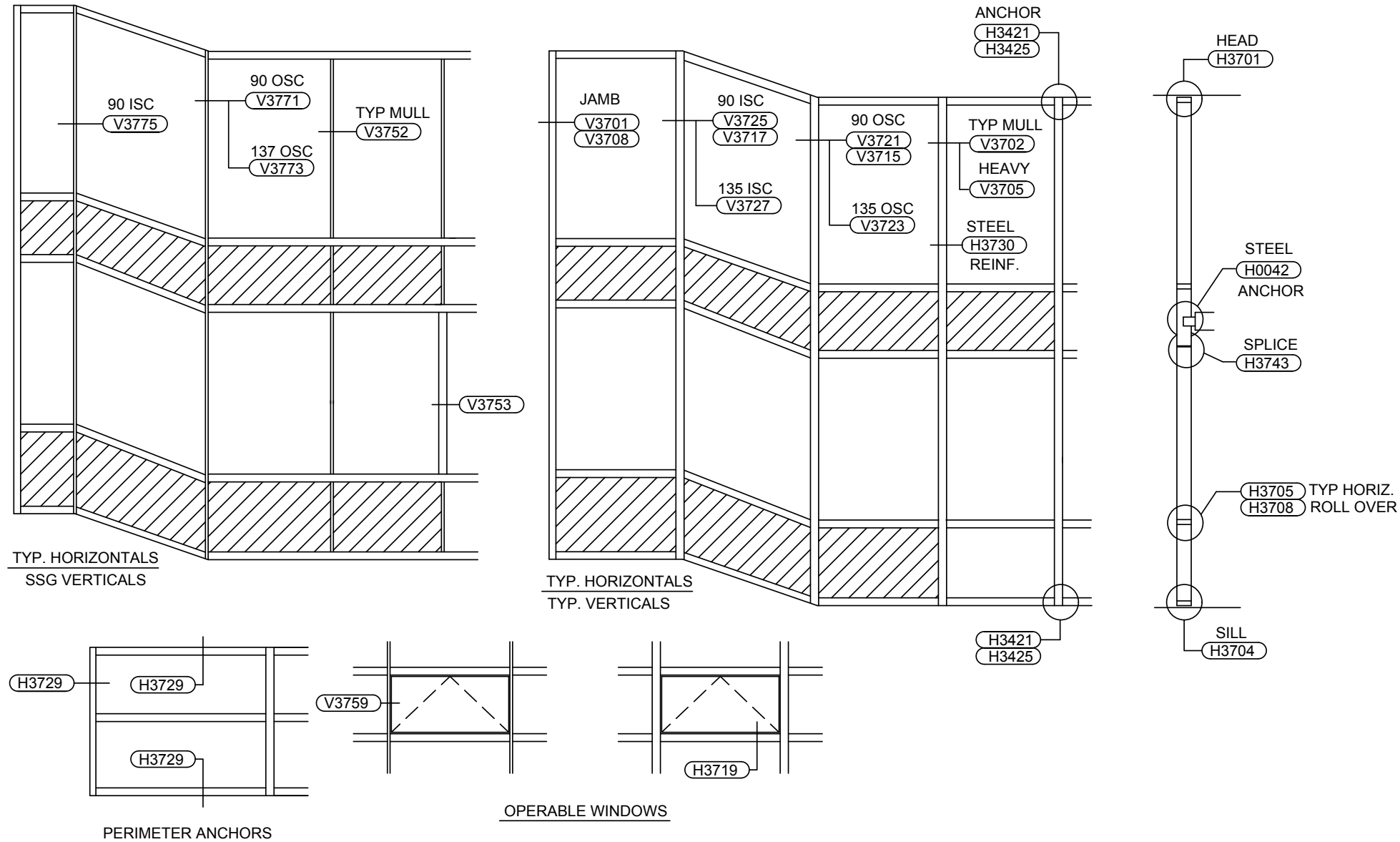
V3715	90° Outside Corner - 2 Mullion
V3717	90° Inside Corner - 2 Mullion
V3721	90° Outside-Corner - Single Mullion
V3723	135° Outside Corner
V3725	90° Inside-Corner - Single Mullion
V3727	135° Inside Corner
V3771	90° SSG Outside Corner
V3773	135° SSG Inside Corner
V3775	90° SSG Inside Corner

### Misc. Details

H0042	Steel Anchor
H3421	Shear Block Anchor
H3425	'F' & 'T' Mullion Anchor
H3729	Perimeter Anchor
H3730	Steel Reinforcement
H3743	Mullion Splicing

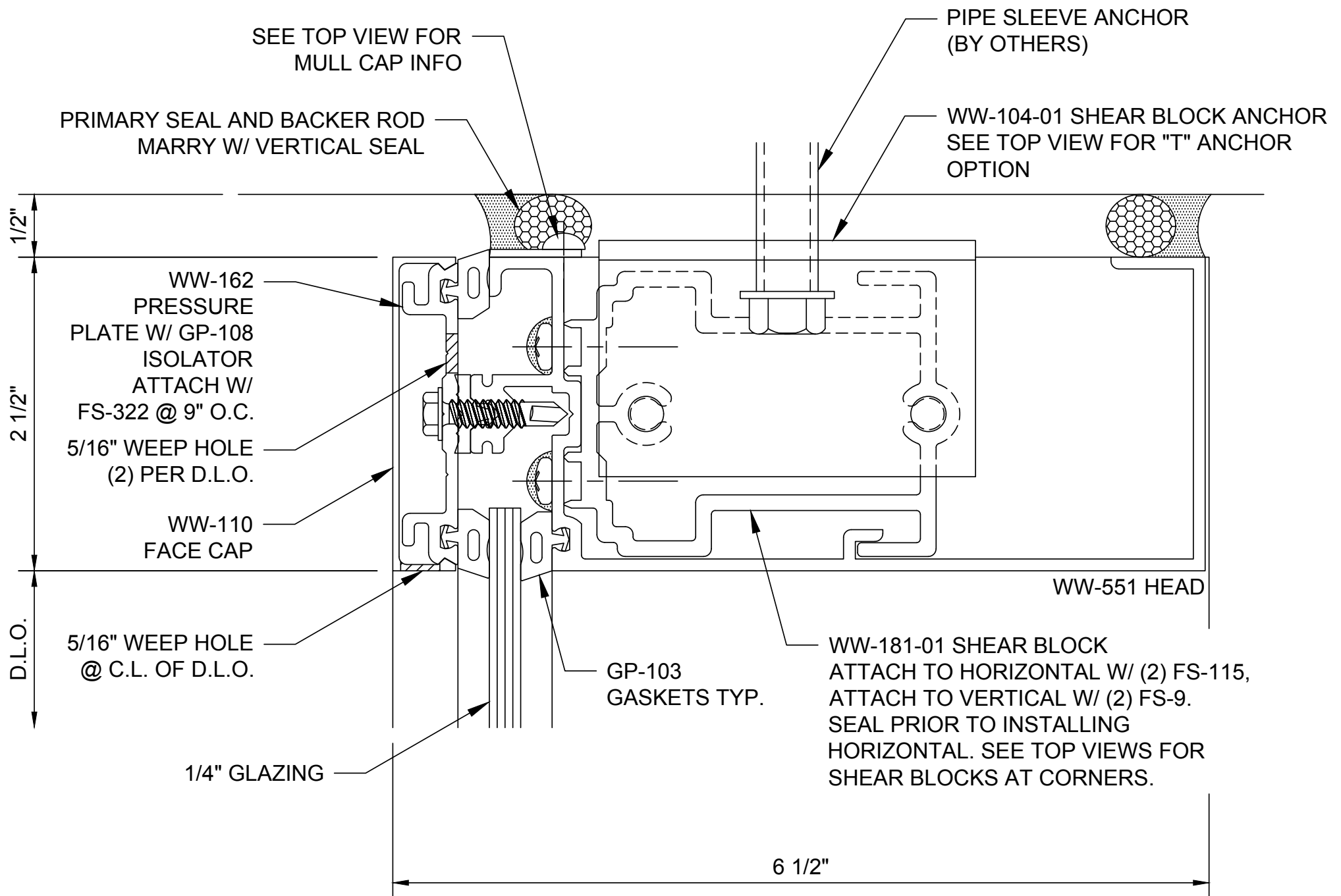
## Table of Contents

Note: For Door Models visit : <http://www.obe.com/products/entrances/swing-entrances/standard-ns-212ms-375ws-500-door-and-frame>

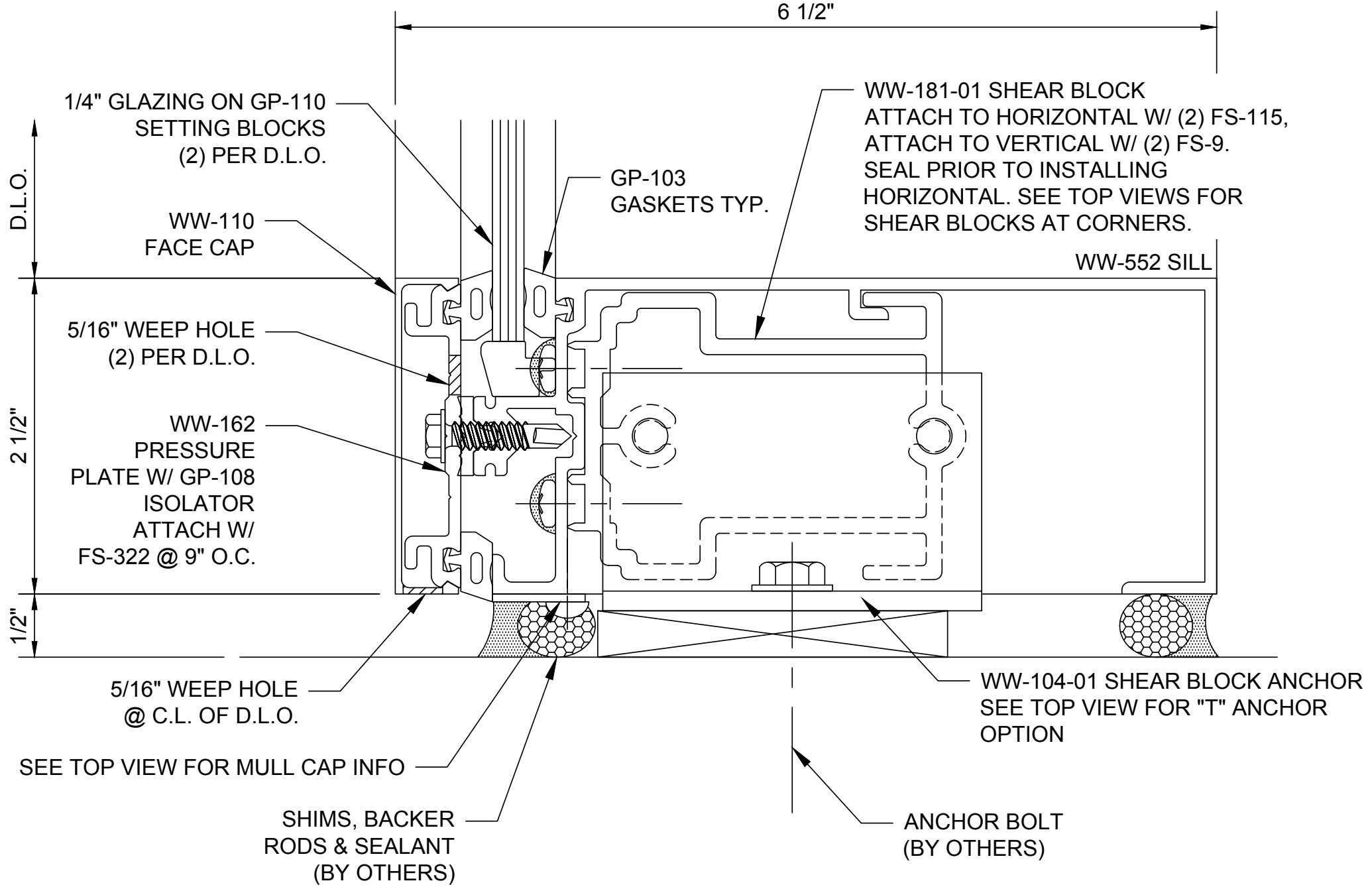


## Reliance™ Curtain Wall

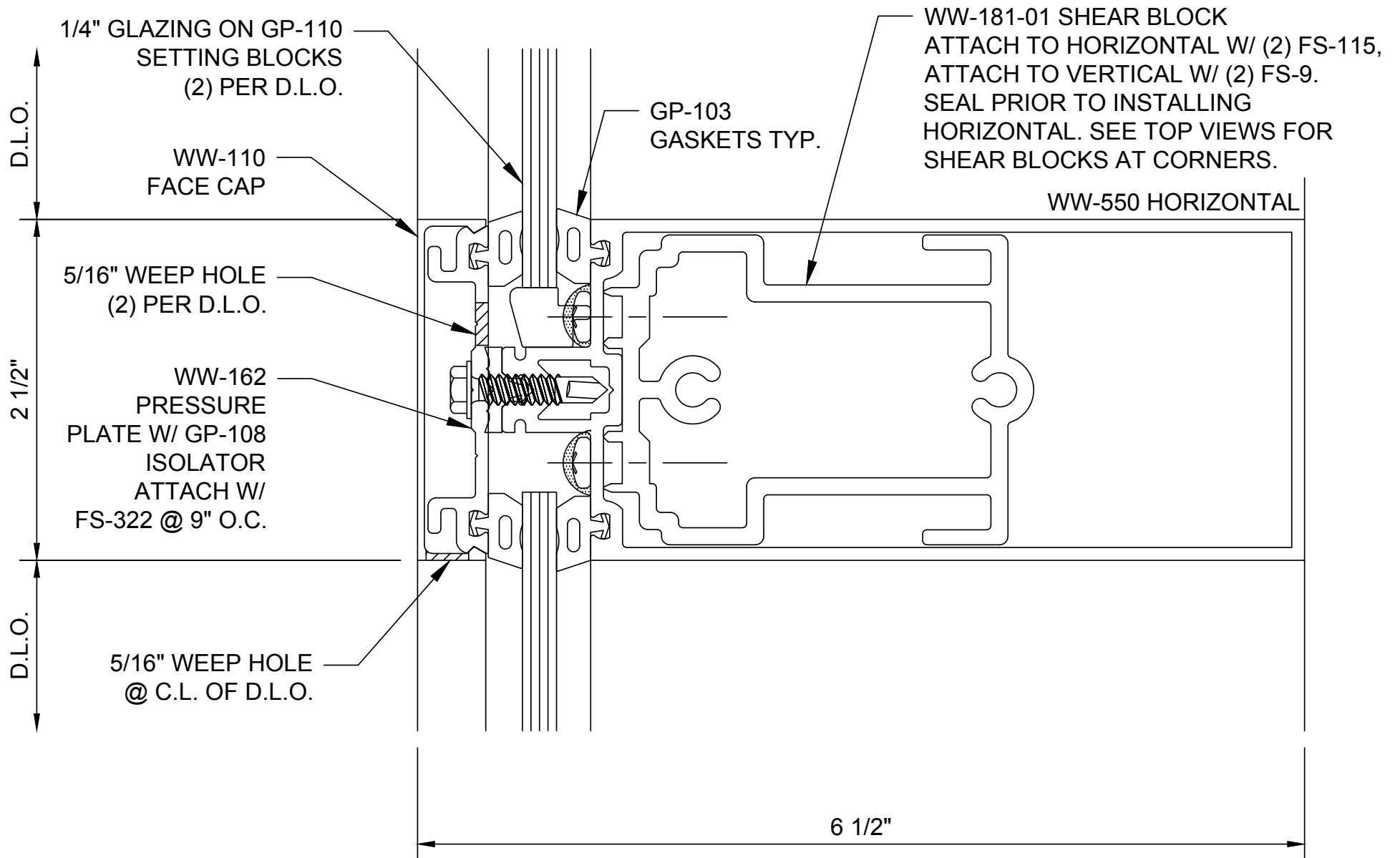
### 2-1/2" x 6-1/2" w/ 1/4" Glazing - Elevation



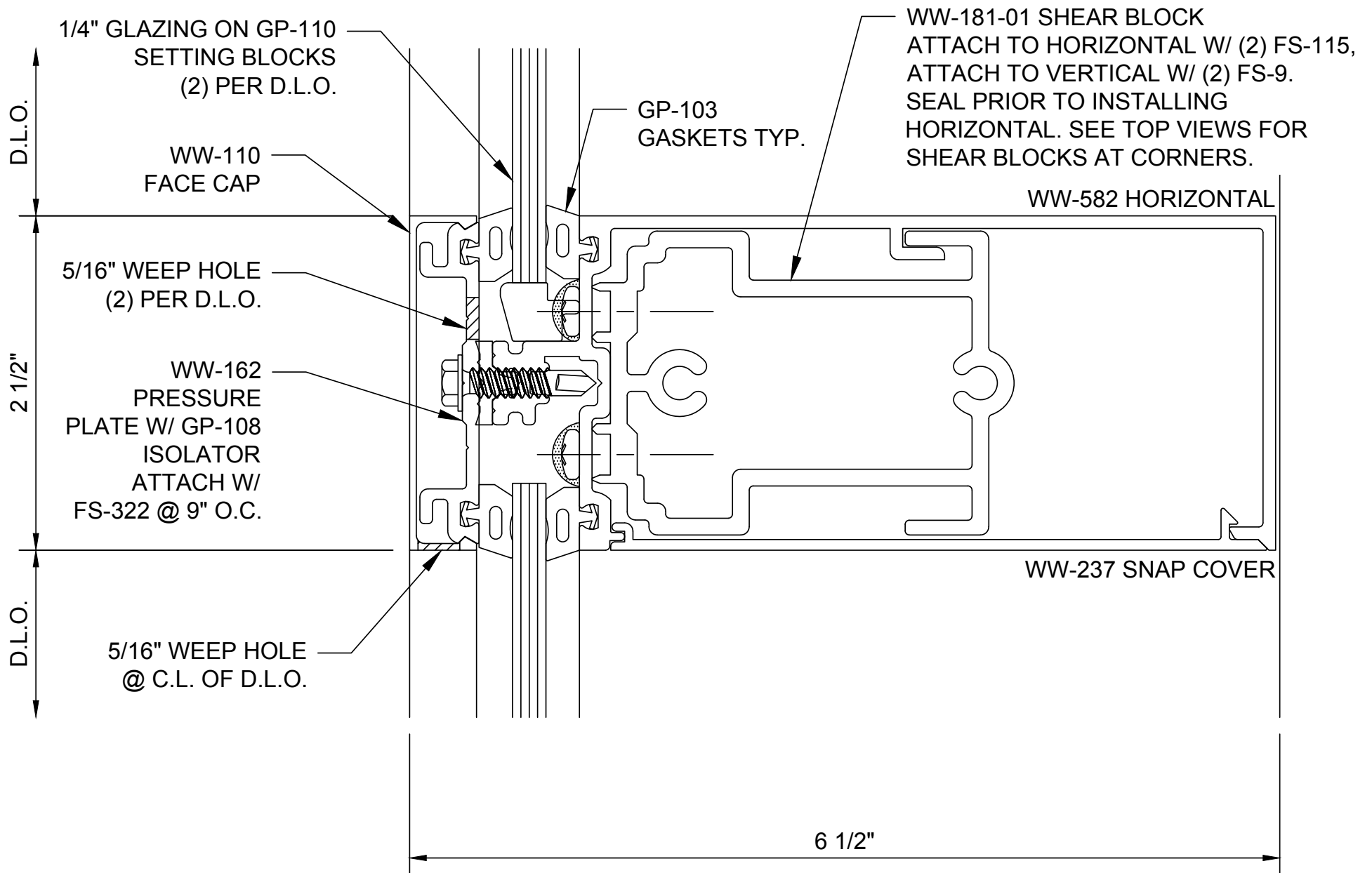
**Reliance™ Curtain Wall**  
**Head Horizontal at Vision - H3701**



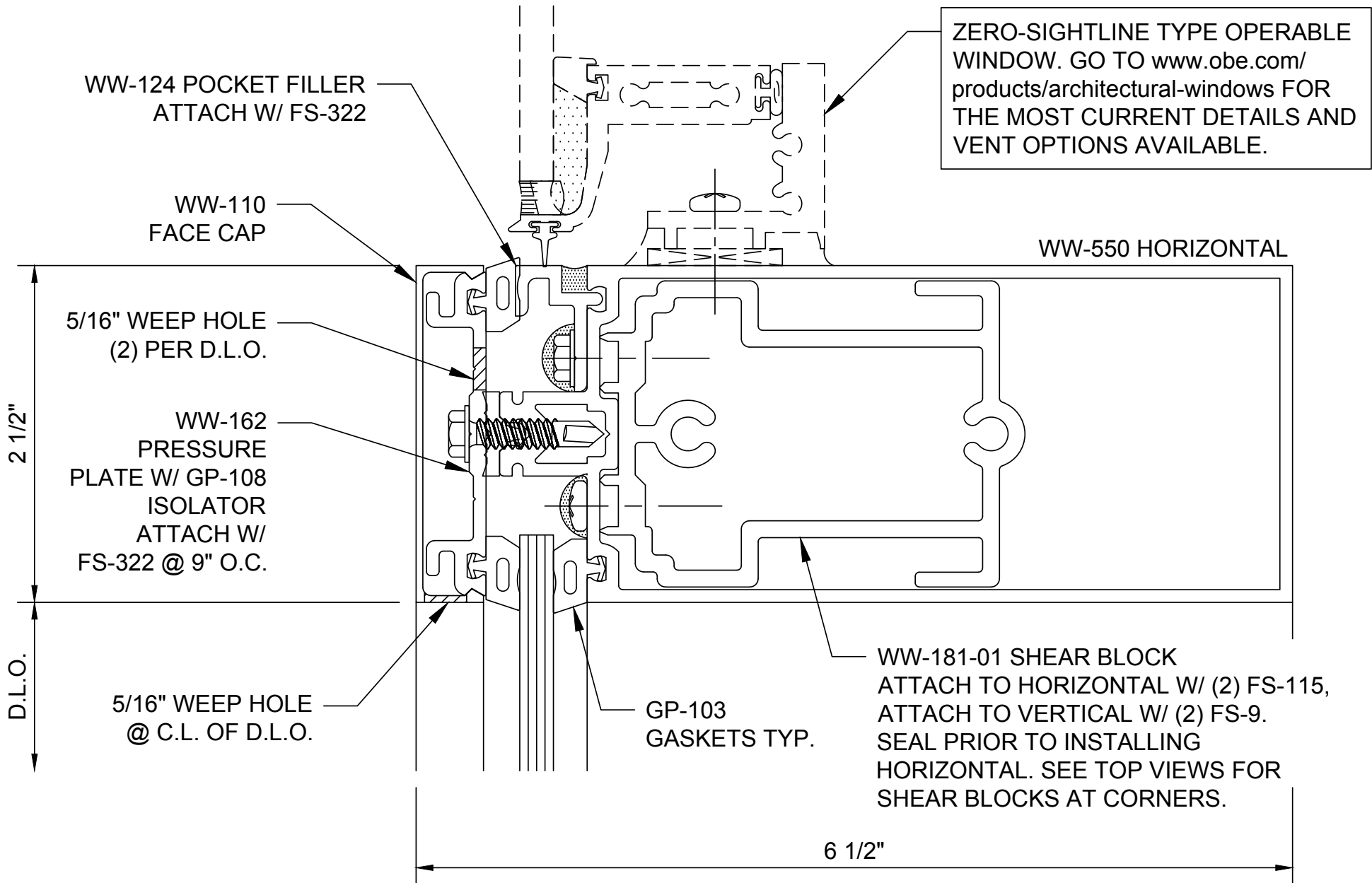
**Reliance™ Curtain Wall**  
**Sill Horizontal at Vision - H3704**



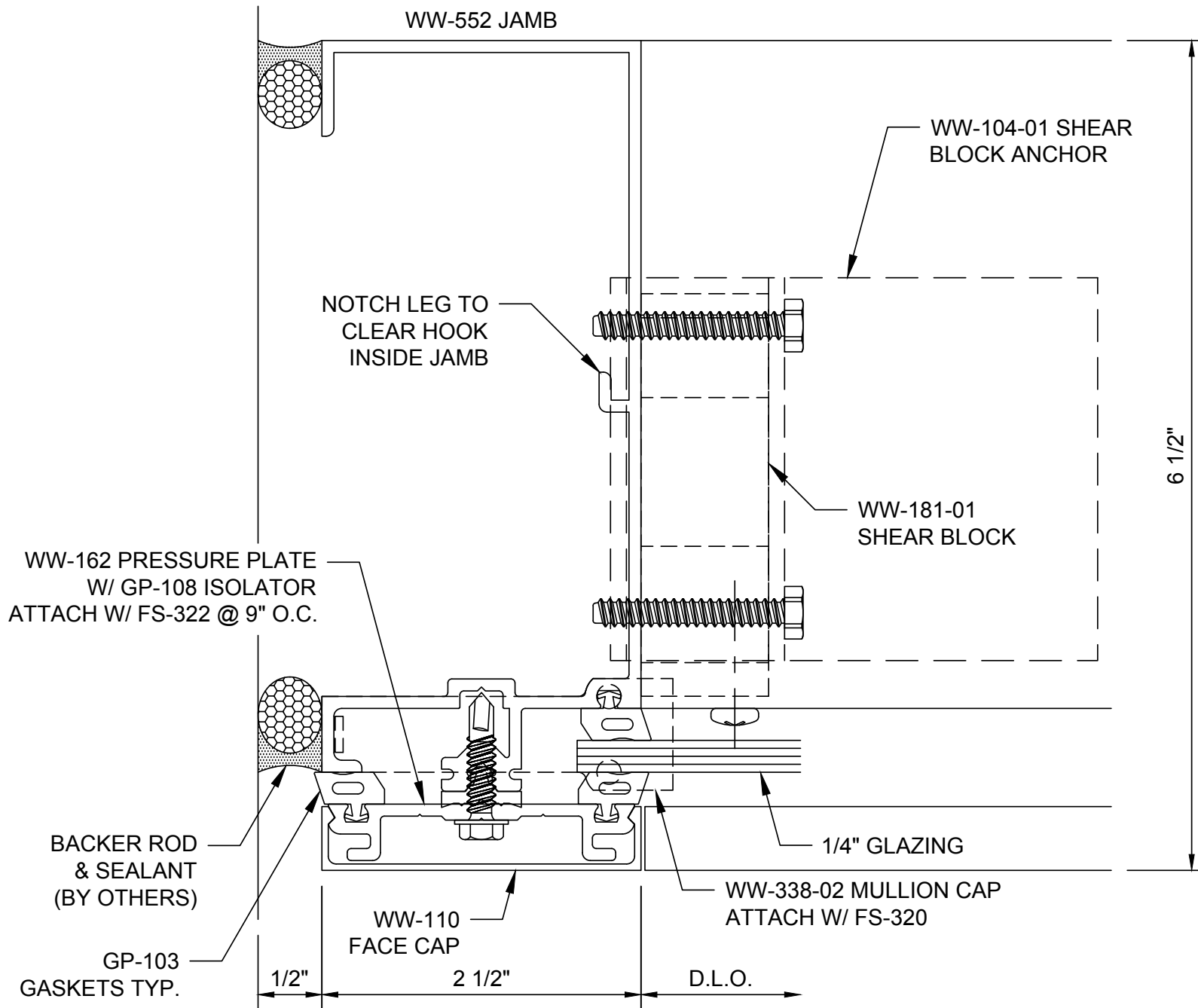
**Reliance™ Curtain Wall**  
**Intermediate Horizontal at Vision - H3705**



**Reliance™ Curtain Wall**  
**Roll-Over Horizontal at Vision - H3708**

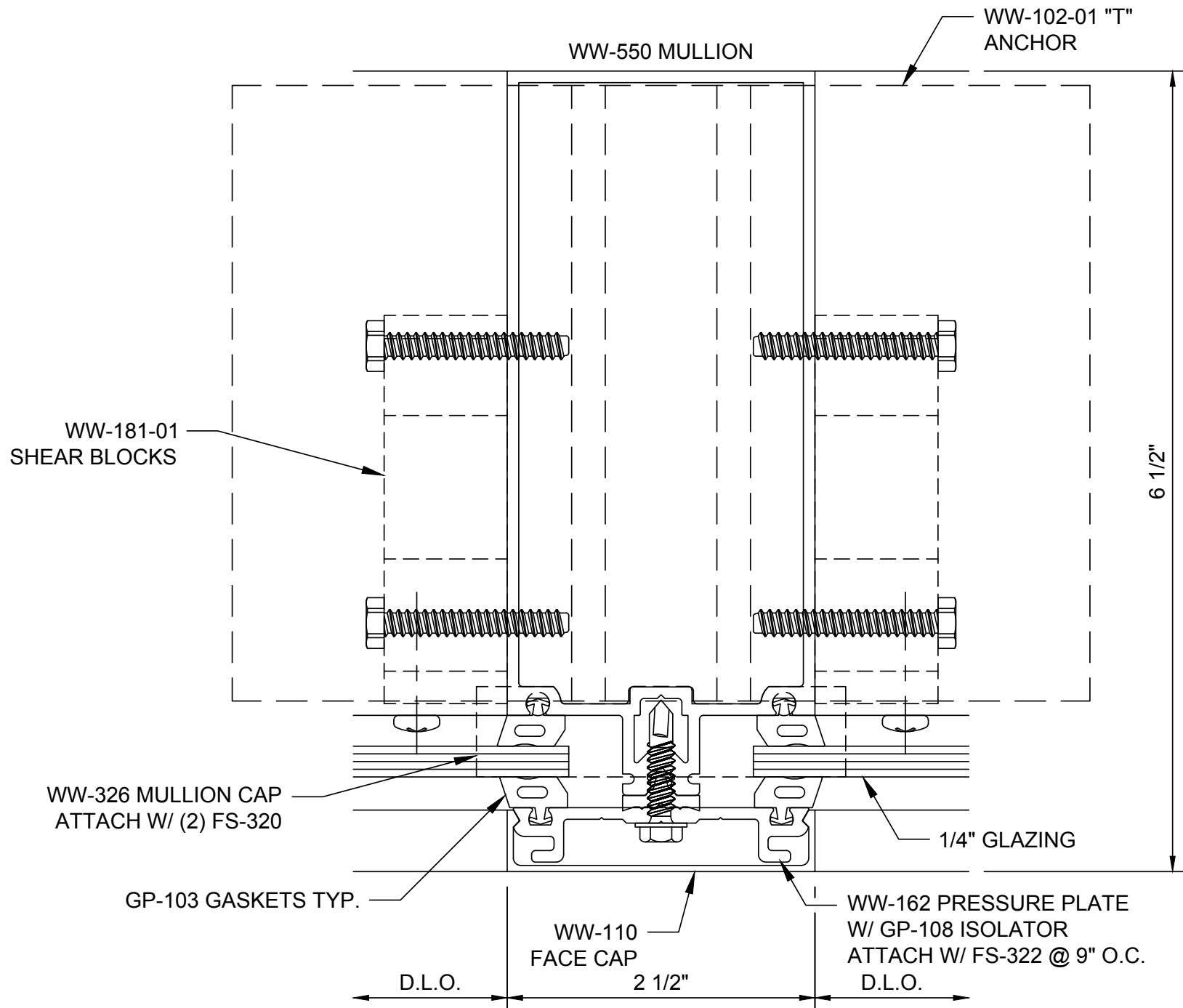


**Reliance™ Curtain Wall**  
**Horizontal at Operable Window - H3719**

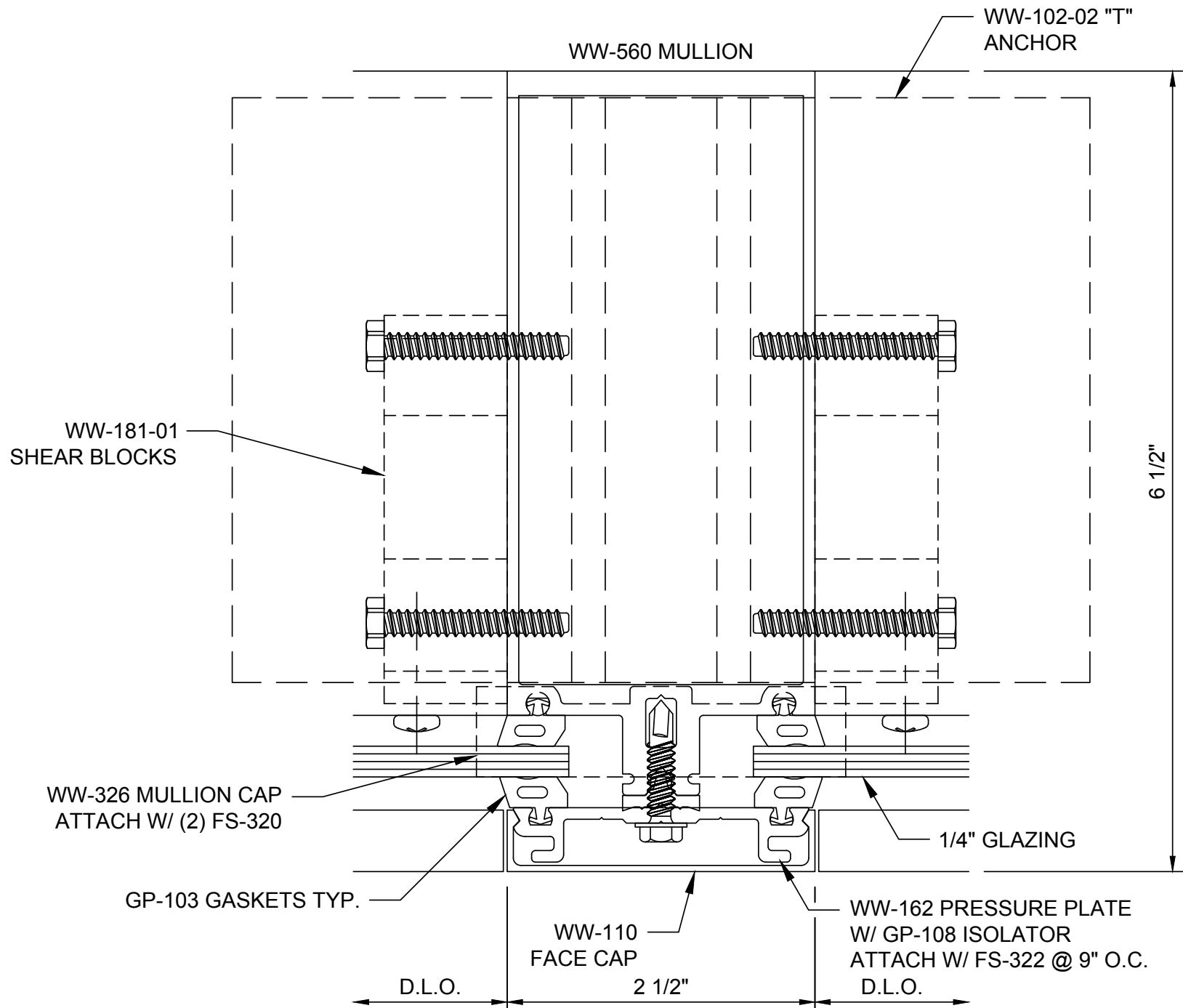


**Reliance™ Curtain Wall  
Open-Back Jamb Vertical - V3701**

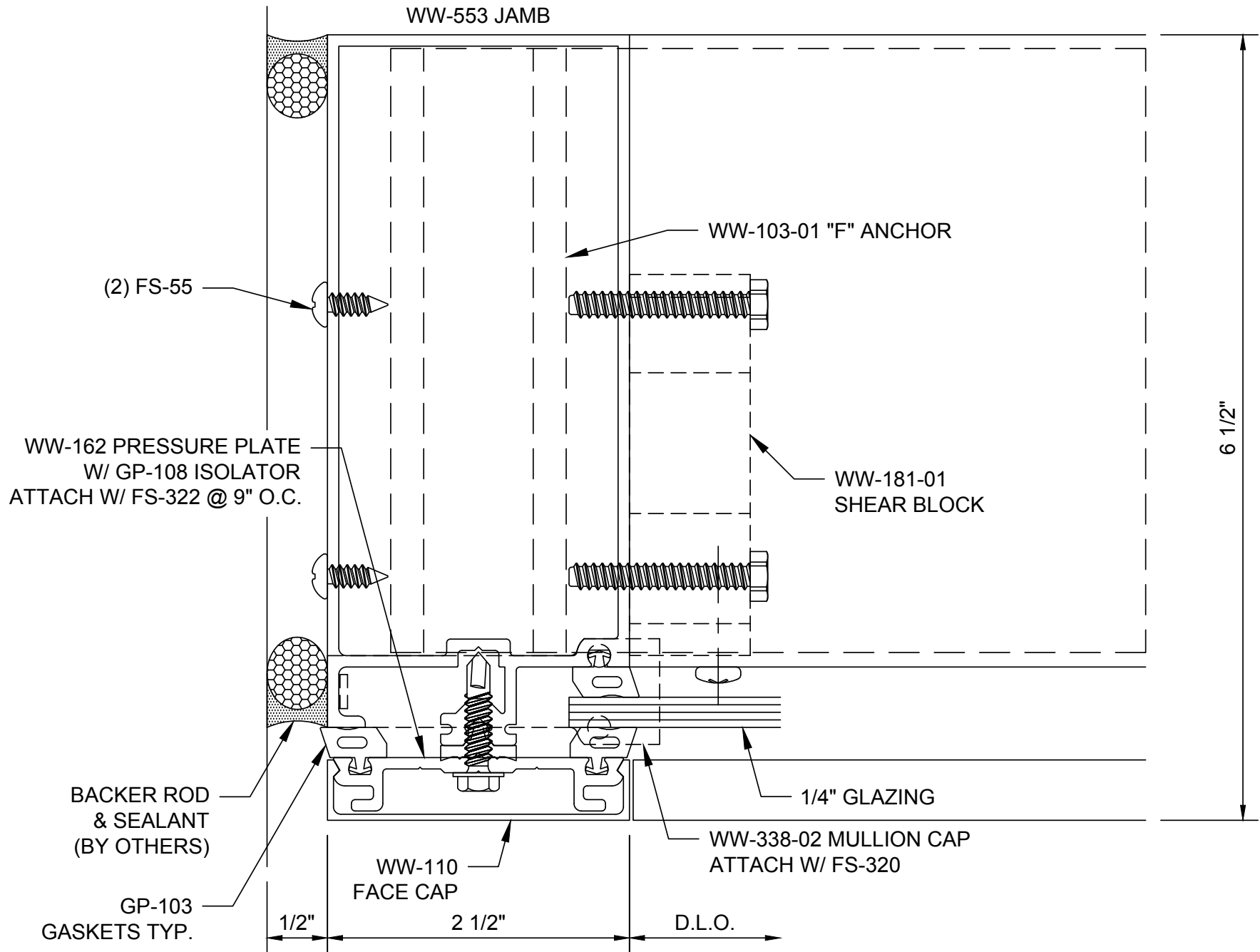




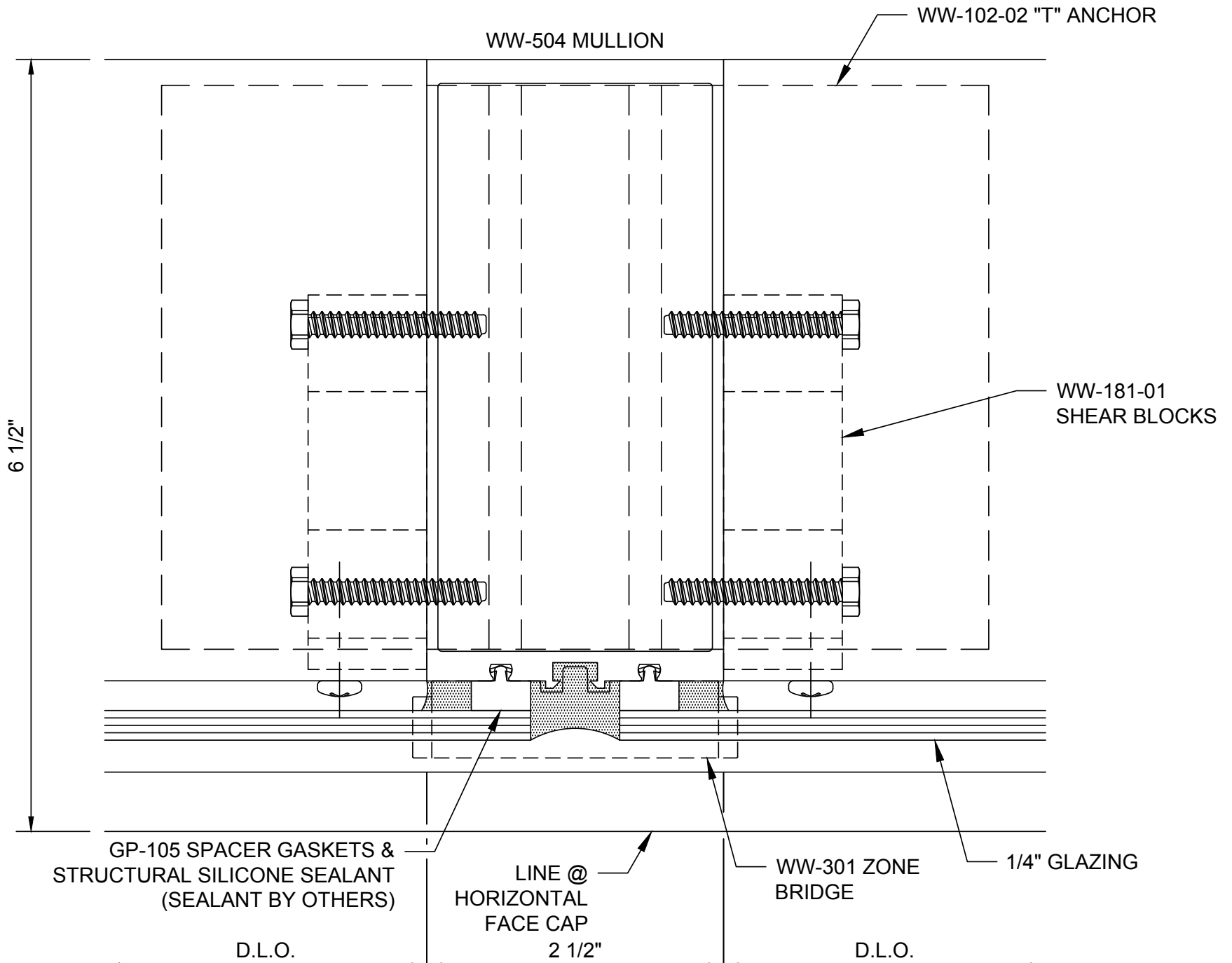
**Reliance™ Curtain Wall  
Typical Vertical Mullion - V3702**



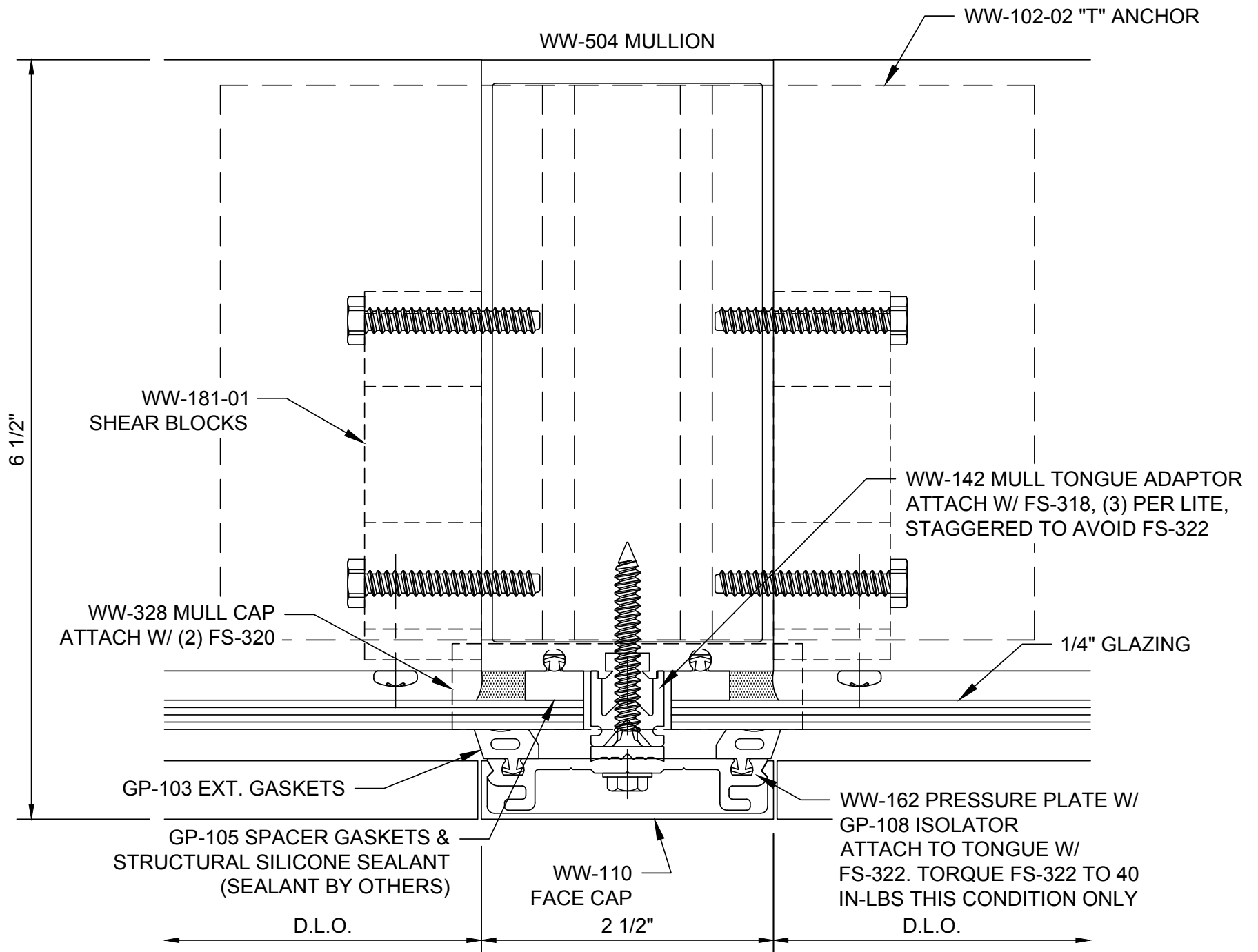
**Reliance™ Curtain Wall  
Heavy Vertical Mullion - V3705**



**Reliance™ Curtain Wall  
Tubular Jamb Vertical - V3708**

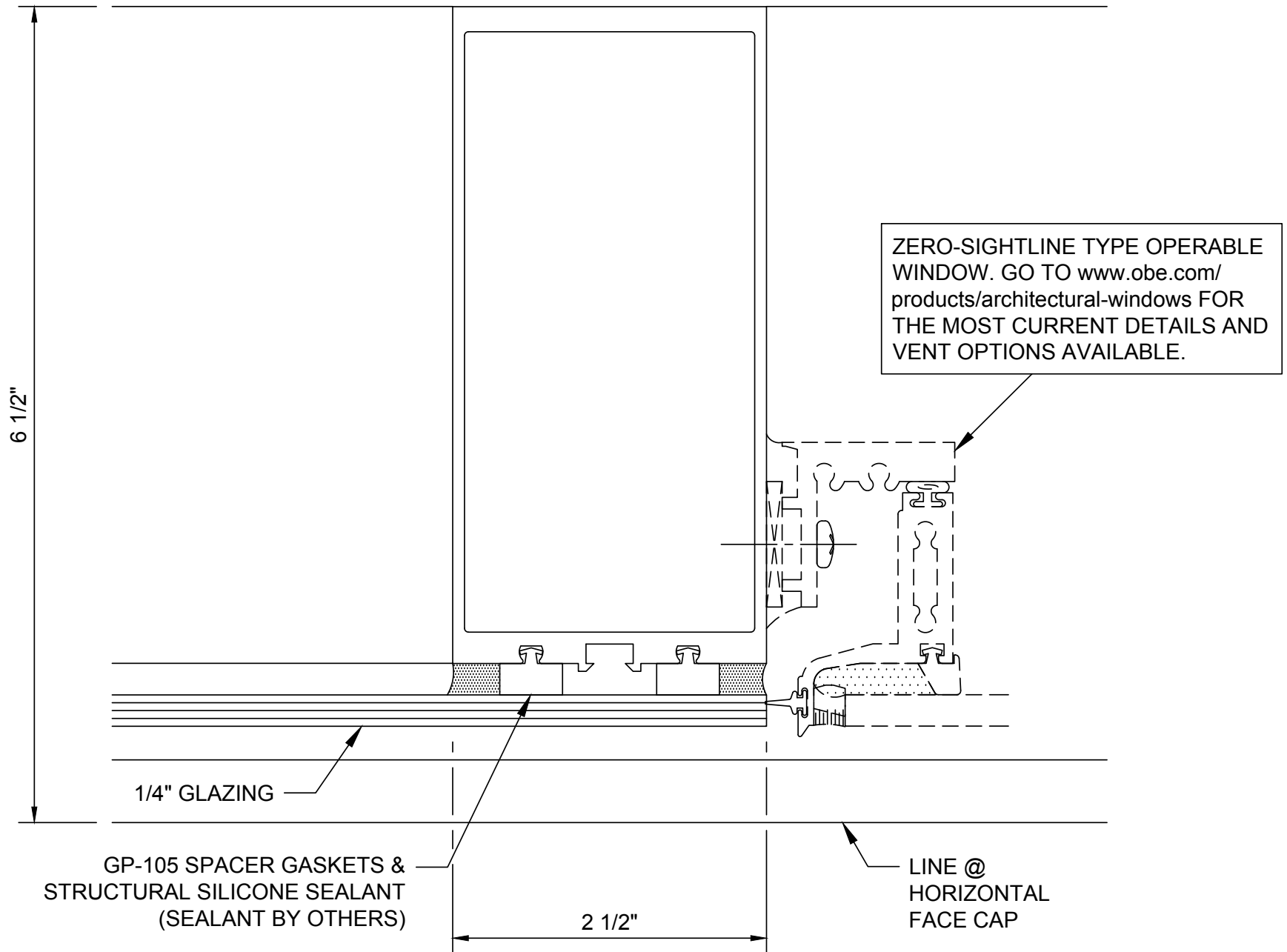


**Reliance™ Curtain Wall**  
**SSG Vertical Mullion - V3752**

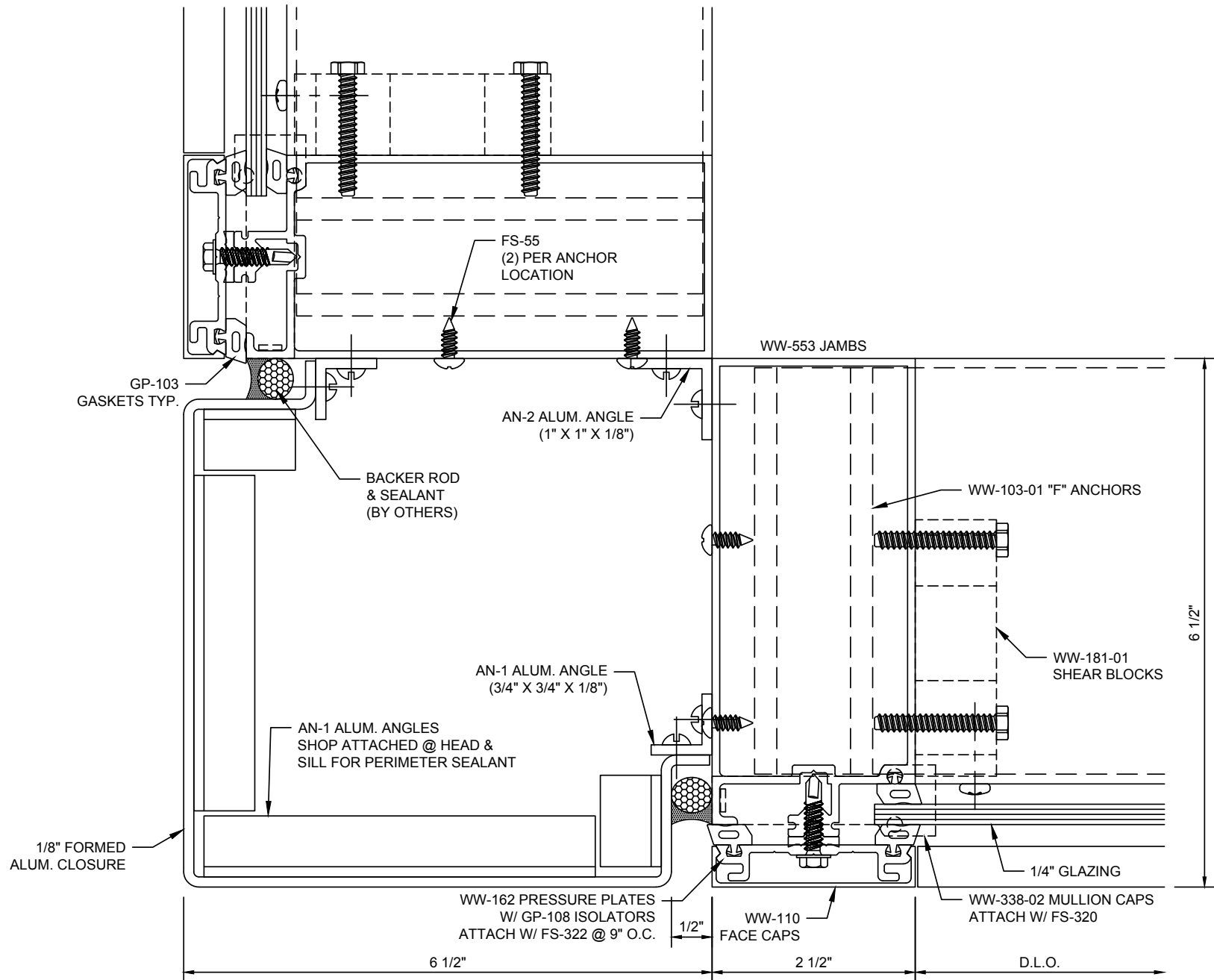


**Reliance™ Curtain Wall**  
**SSG Vertical Mullion @ SSG to Captured Transition - V3753**

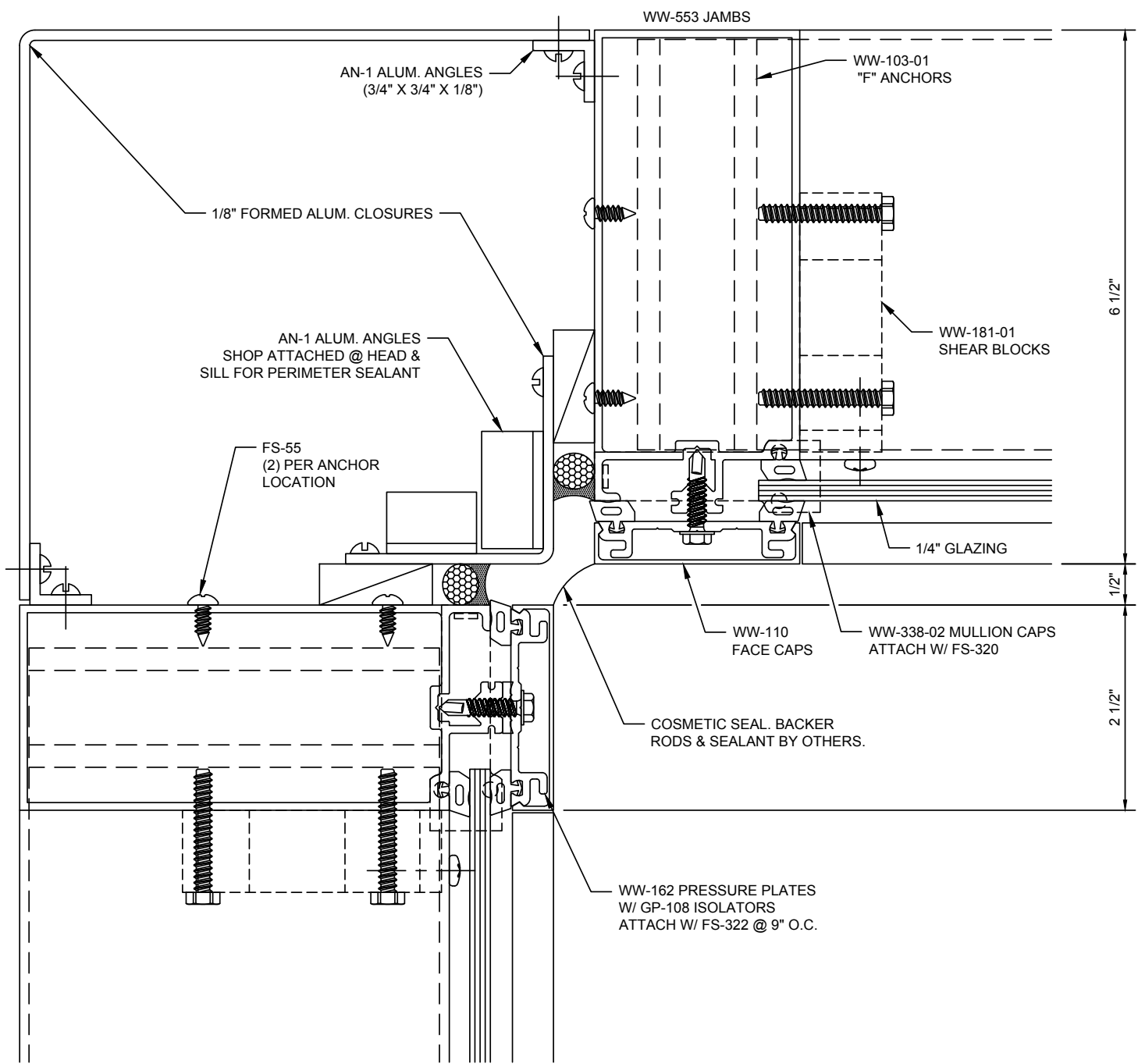
WW-504 MULLION



**Reliance™ Curtain Wall**  
**SSG Vertical at Operable Window - V3759**

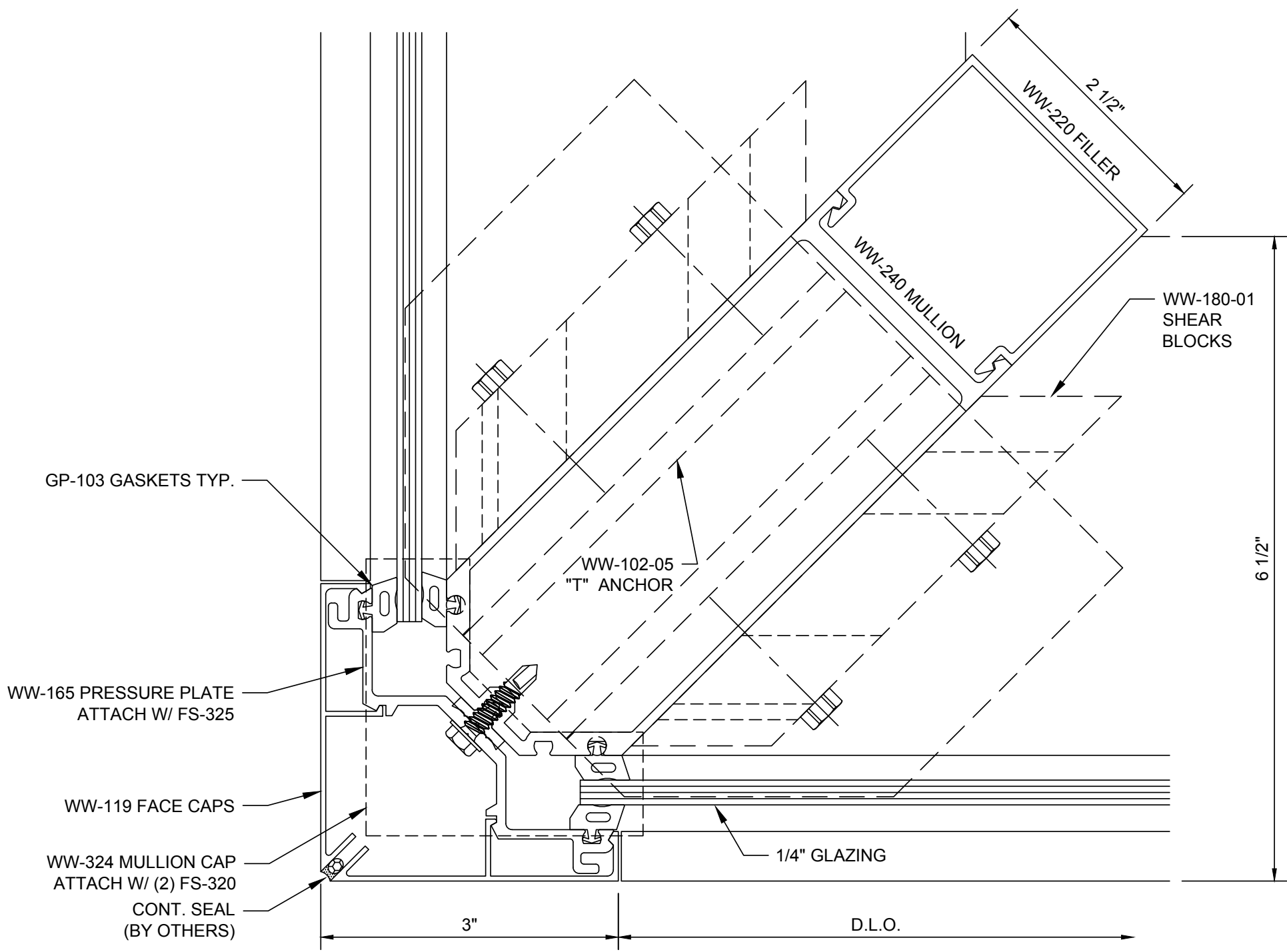


## Reliance™ Curtain Wall 90° Outside Corner - V3715

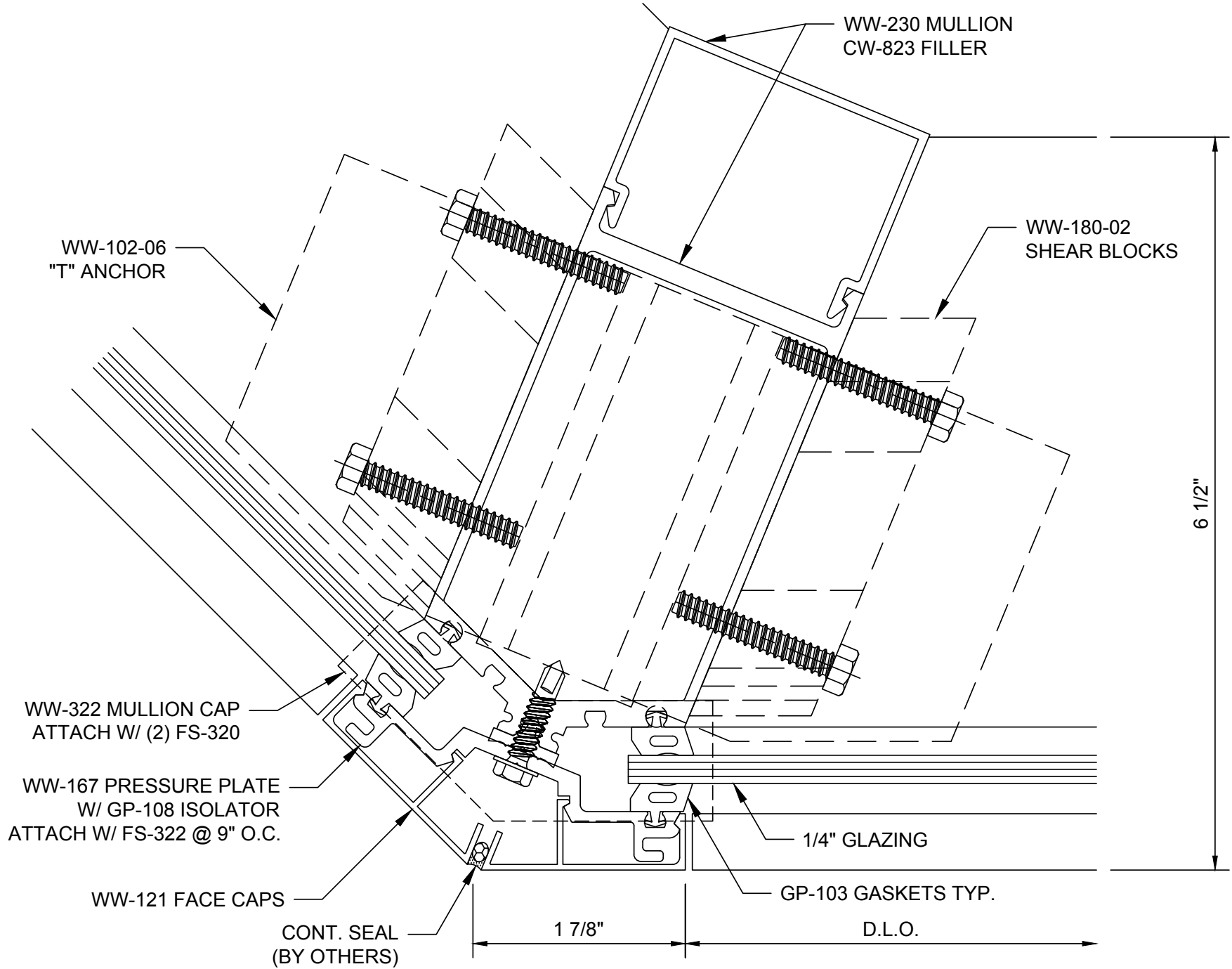


## Reliance™ Curtain Wall 90° Inside Corner - V3717

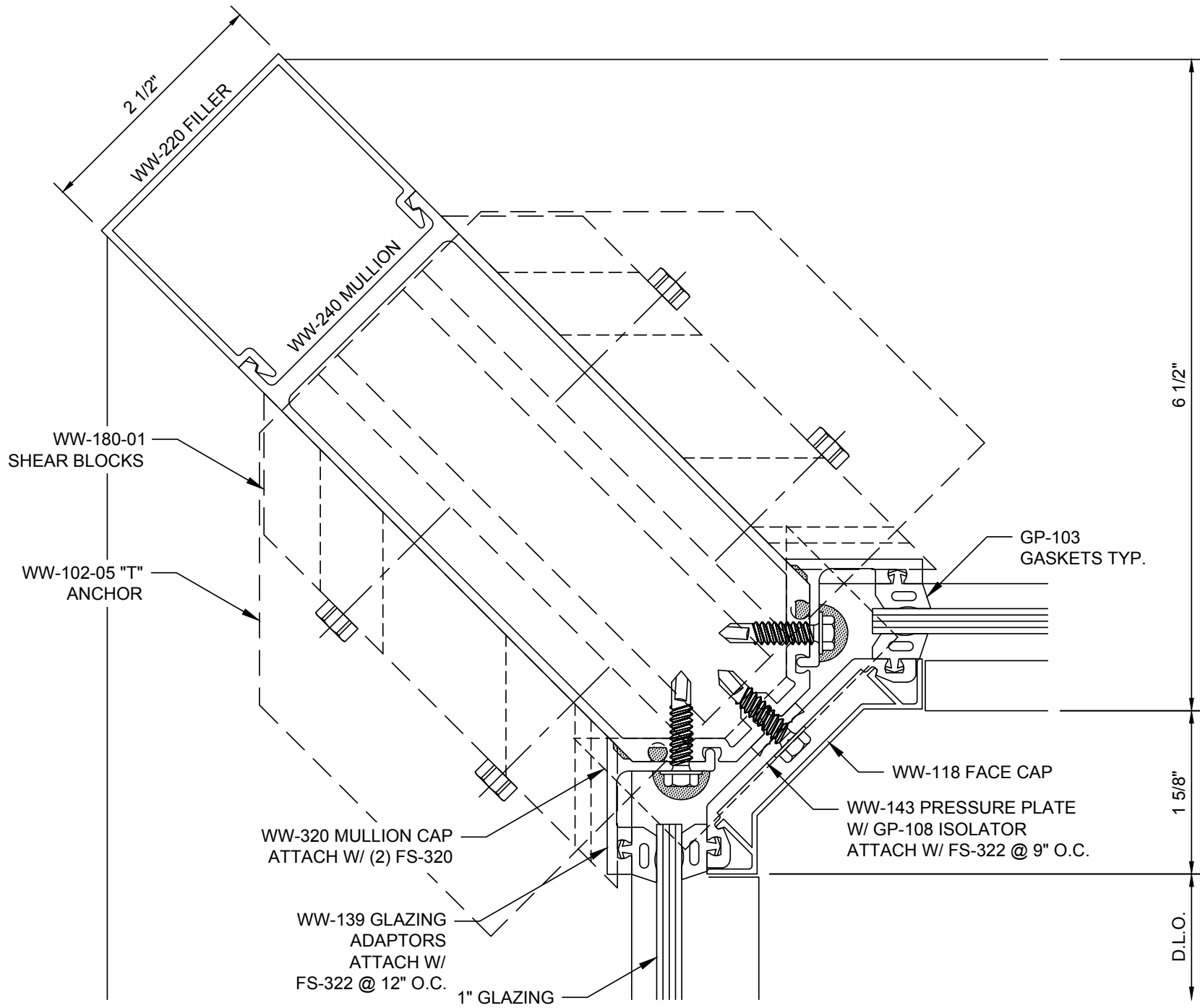




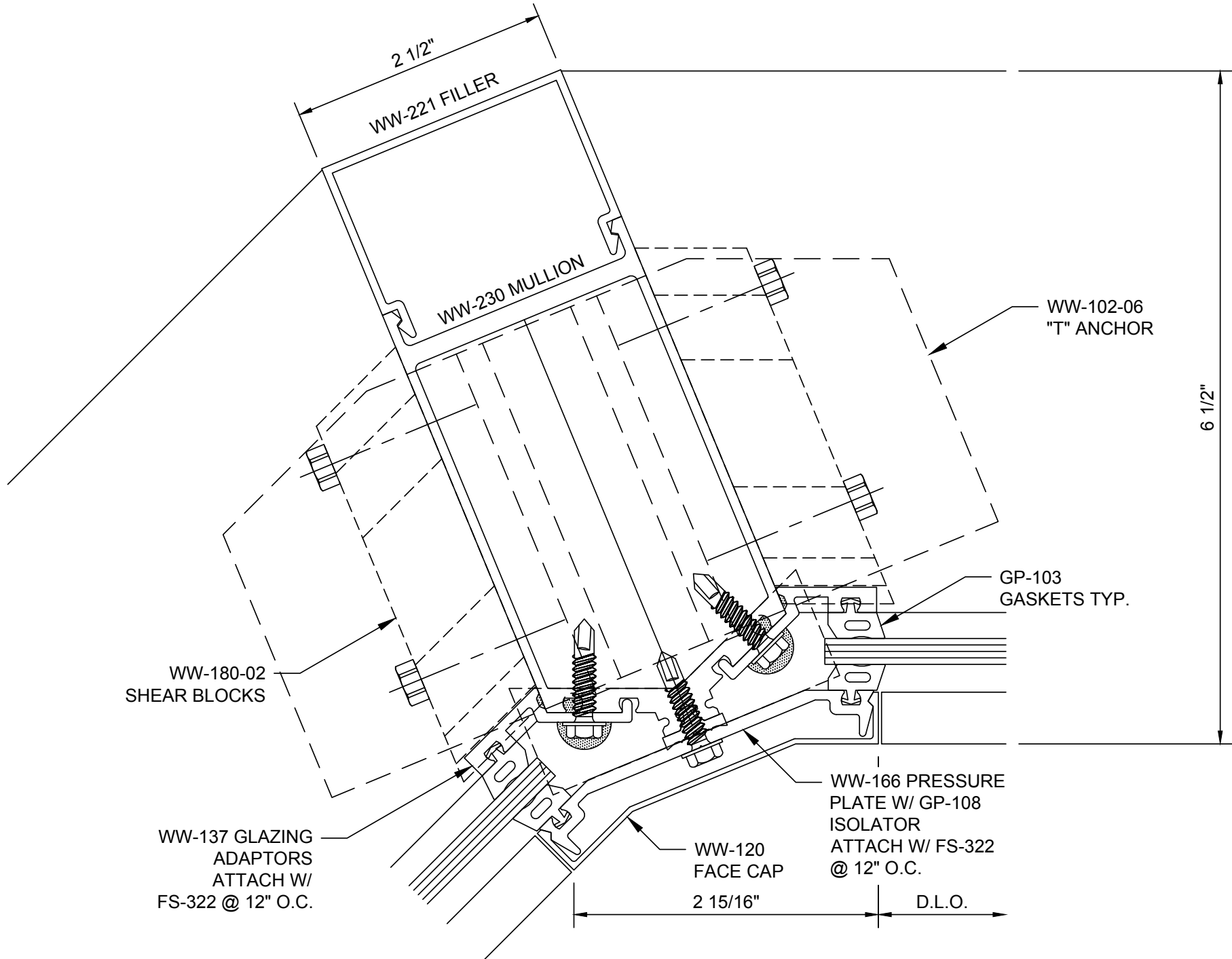
**Reliance™ Curtain Wall**  
**90° Outside Corner - V3721**



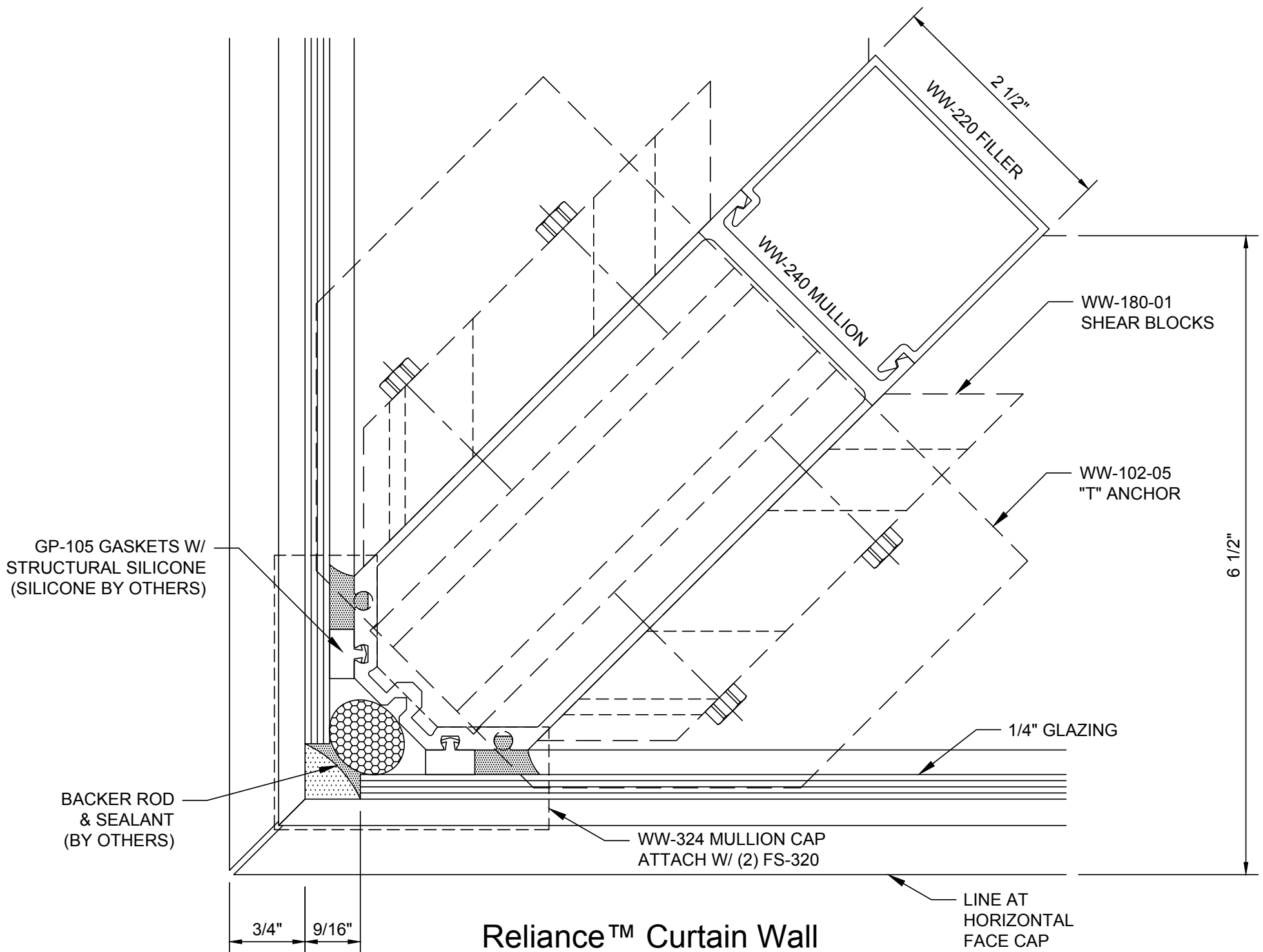
**Reliance™ Curtain Wall**  
**135° Outside Corner - V3723**



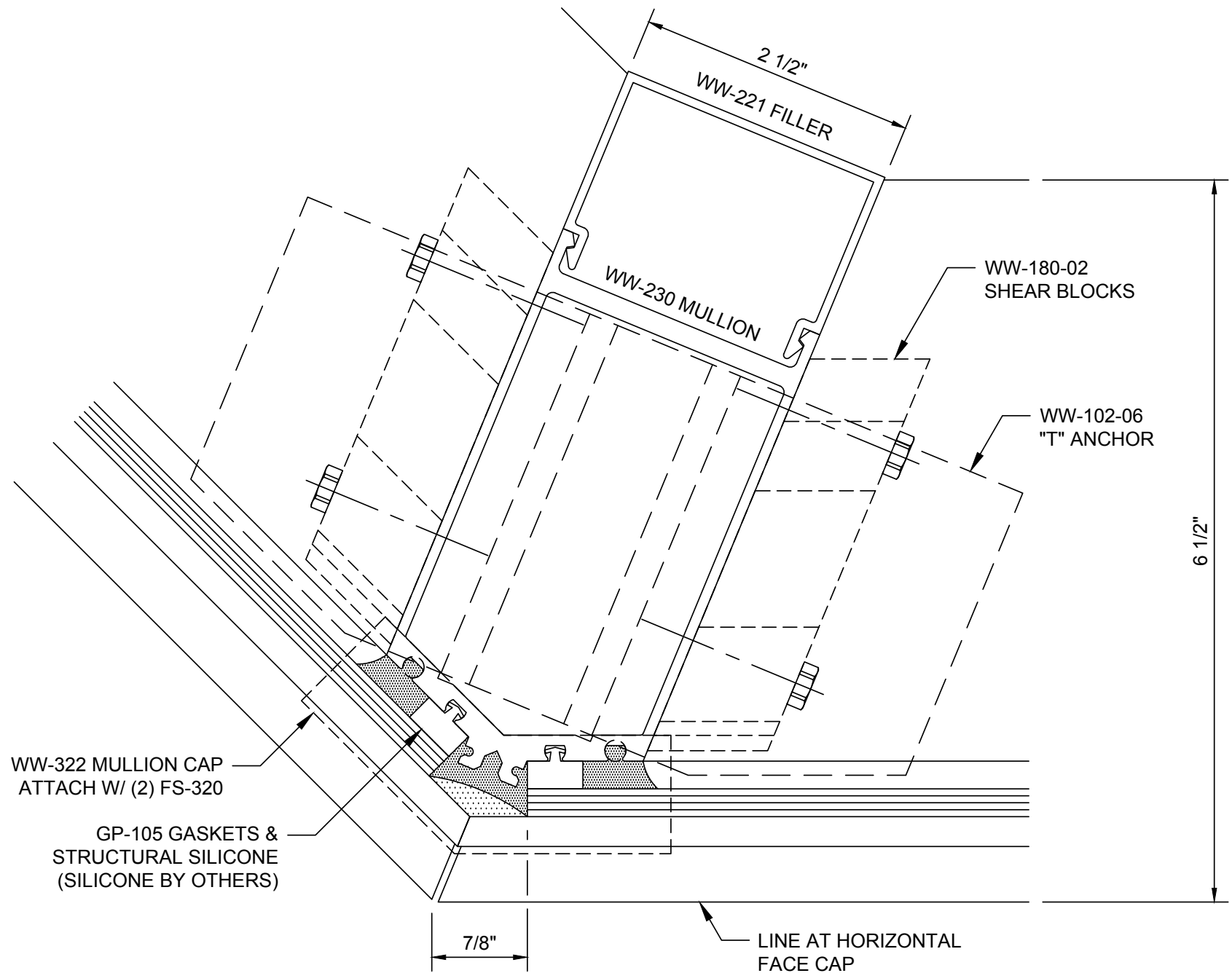
**Reliance™ Curtain Wall**  
**90° Inside Corner - V3725**



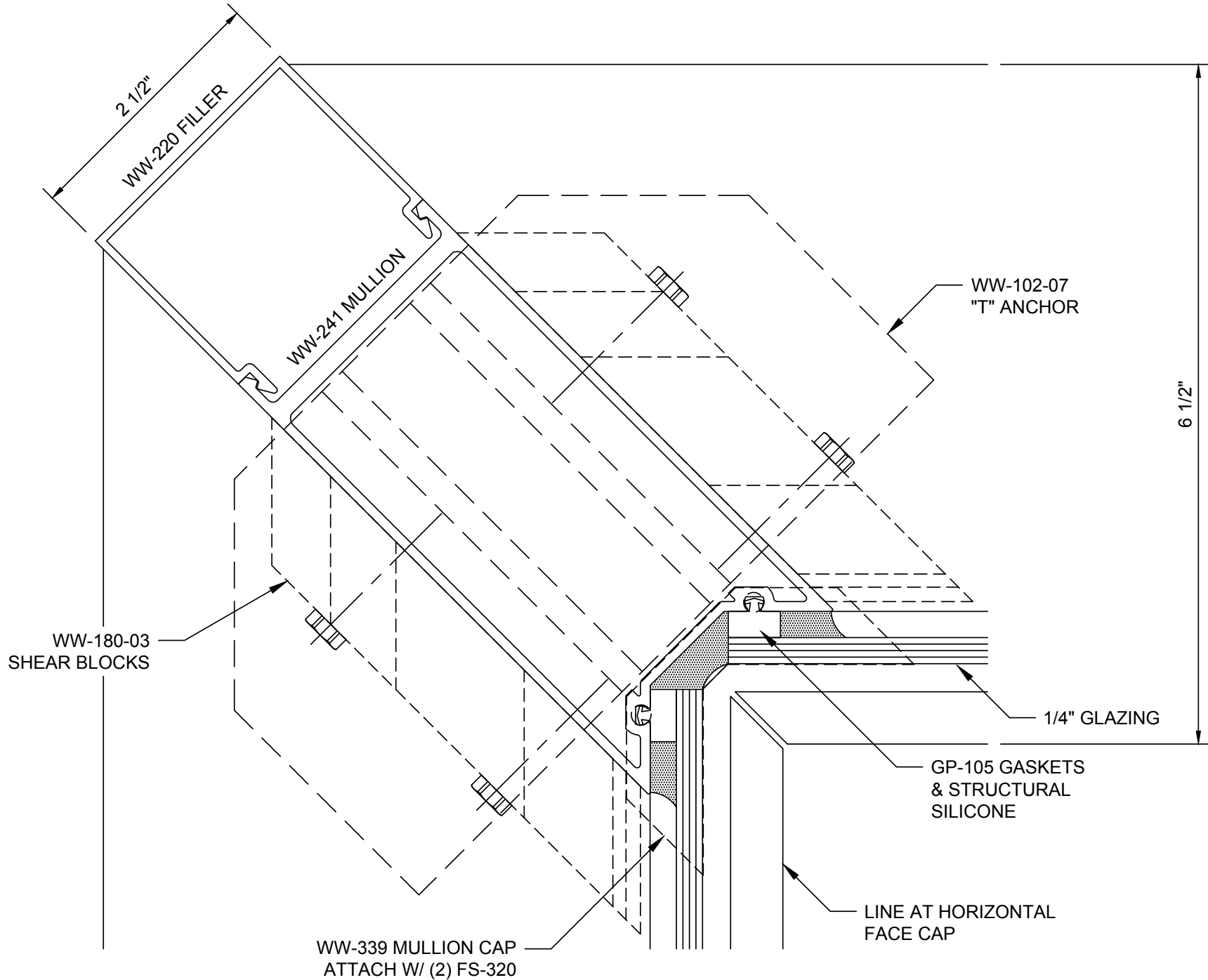
**Reliance™ Curtain Wall**  
**135° Inside Corner - V3727**



**Reliance™ Curtain Wall**  
**90° Outside SSG Corner - V3771**



**Reliance™ Curtain Wall**  
**135° Outside SSG Corner - V3773**

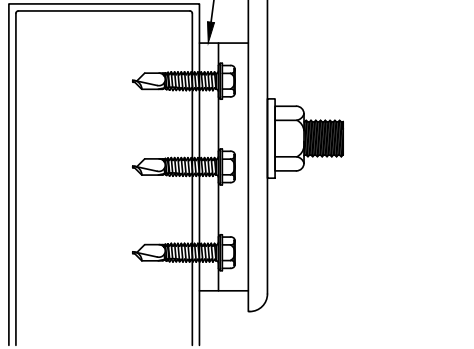


**Reliance™ Curtain Wall**  
**90° Inside SSG Corner - V3775**

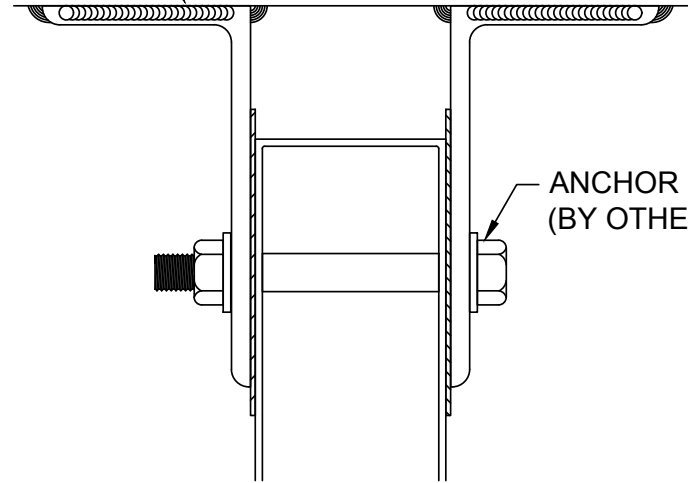
WELD AS REQUIRED BY INSTALLER

FLOOR SLAB OR BEAM

WW-2223 JAMB ANCHOR PLATE  
ATTACH W/ (6) FS-336 (1/4"-20 X  
1-1/8" HWH DRILL FLEX)

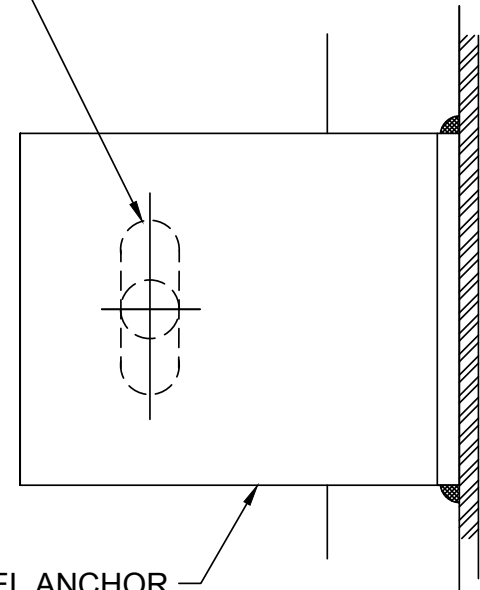


Plan View  
Jamb Option



Plan View  
Intermediate Mullion

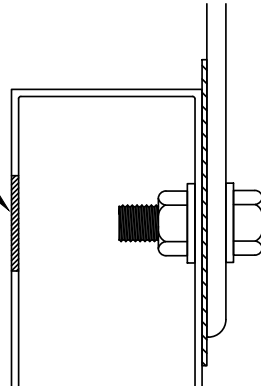
HOLE IN ANCHOR @ DEAD LOAD  
SLOT IN ANCHOR @ WIND LOAD



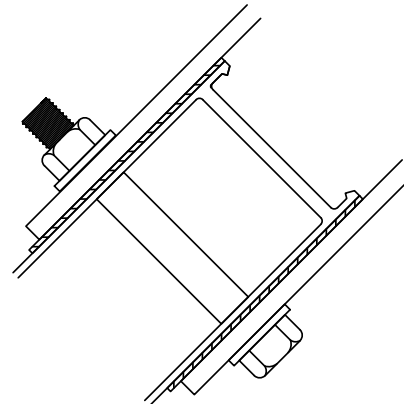
Side View

STEEL ANCHOR  
DESIGN DETERMINED  
BY ENGINEER. SEE  
APPROVED SHOP  
DRAWINGS.

ACCESS HOLE



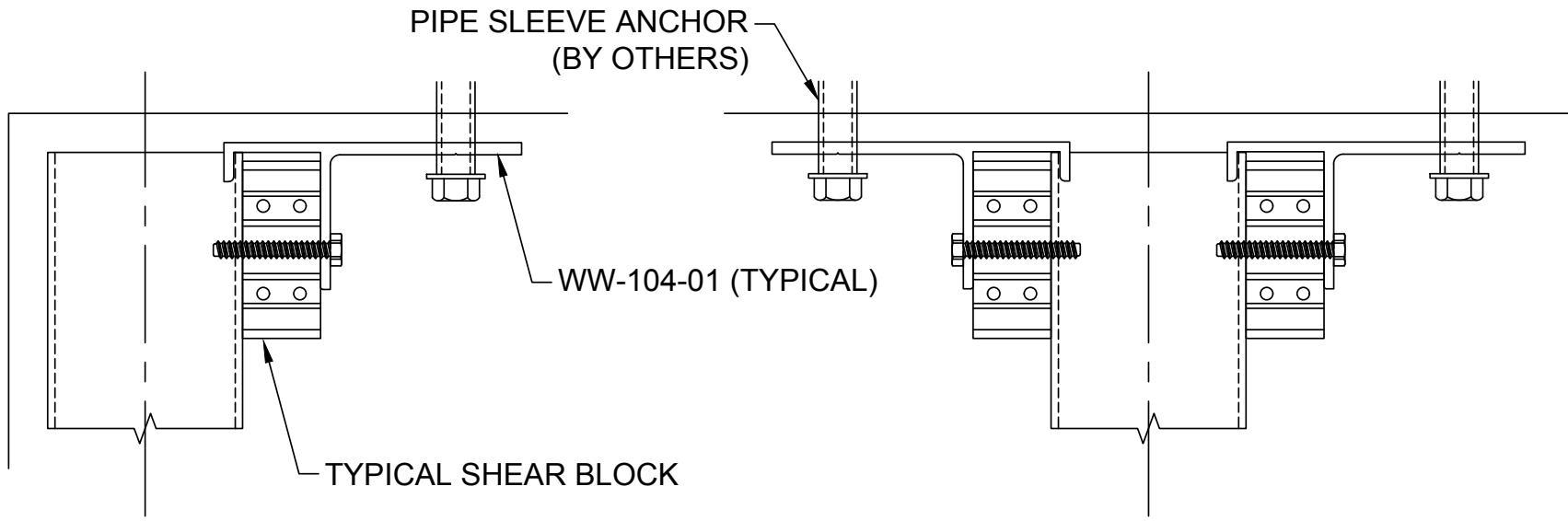
Plan View  
Jamb Option



Plan View  
Single Mull Corners

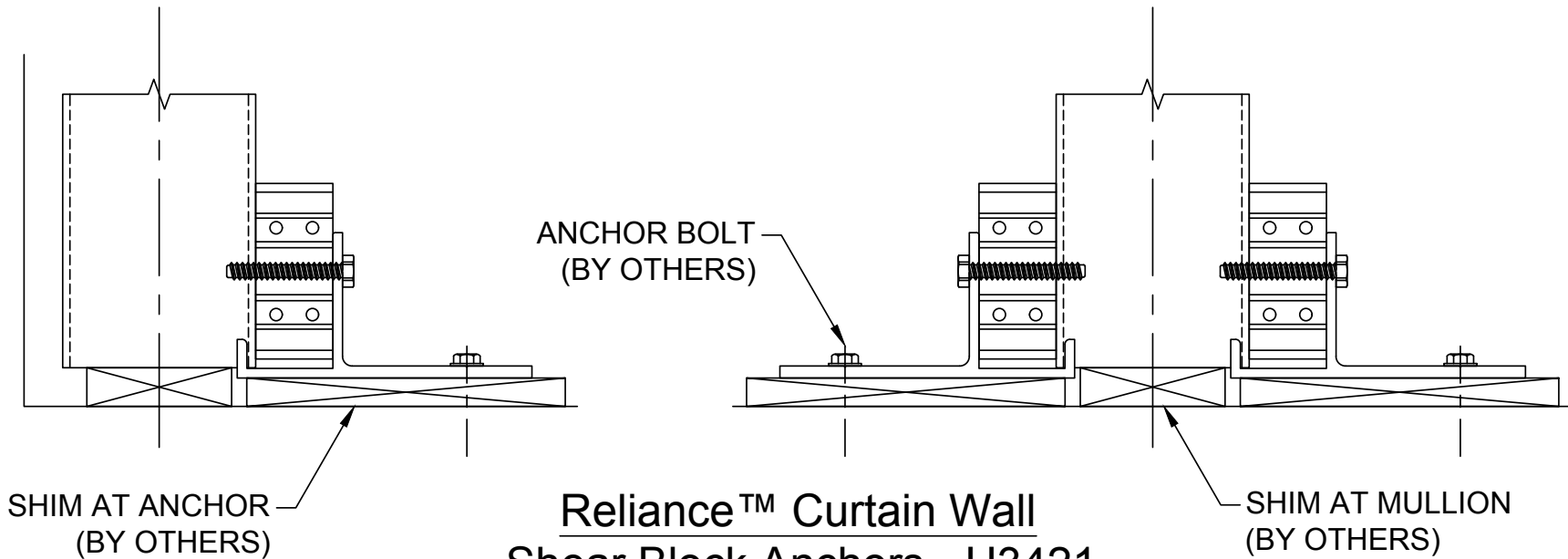
## Standard Curtain Wall Steel Anchor - H0042

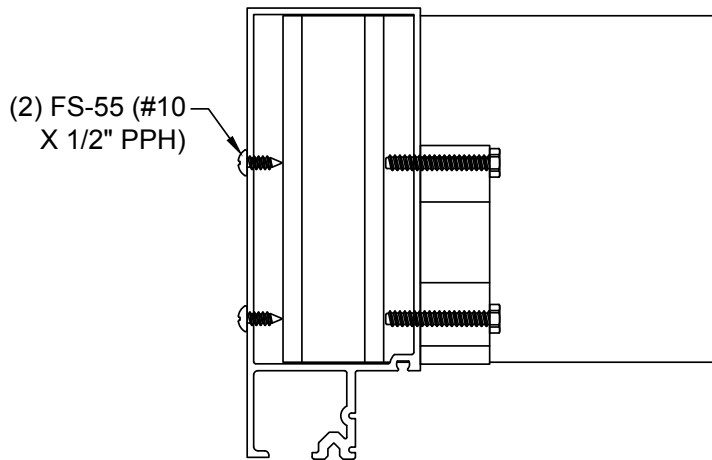
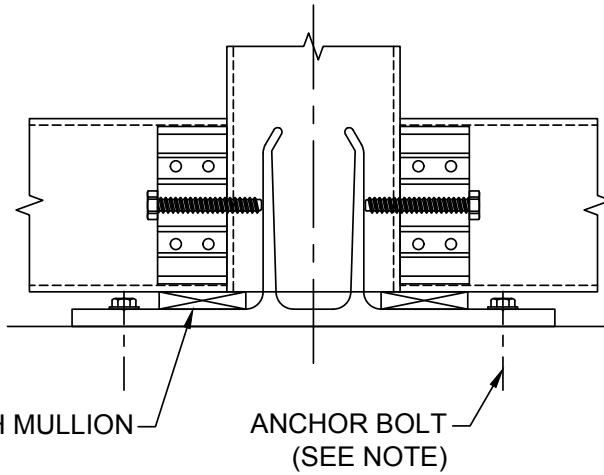
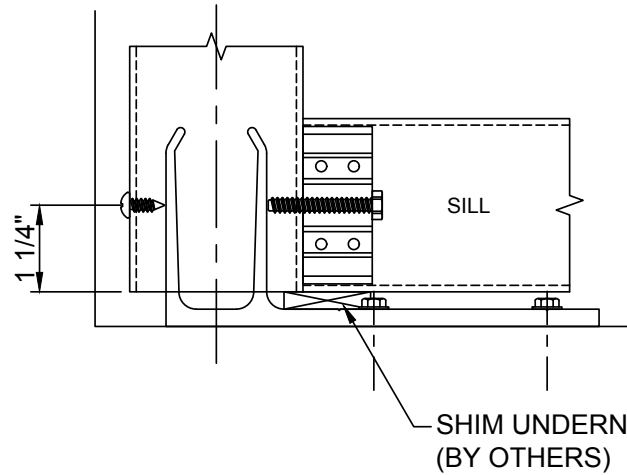
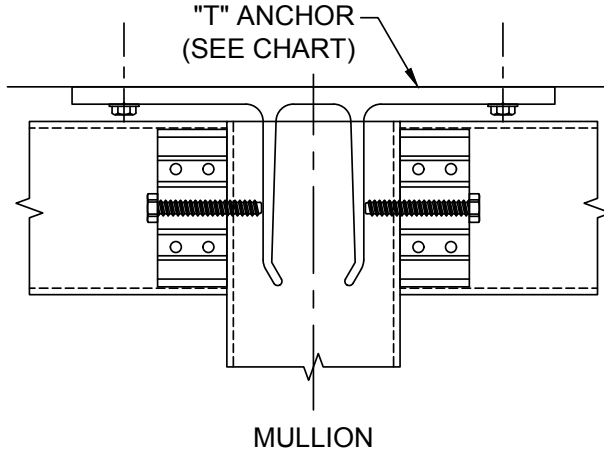
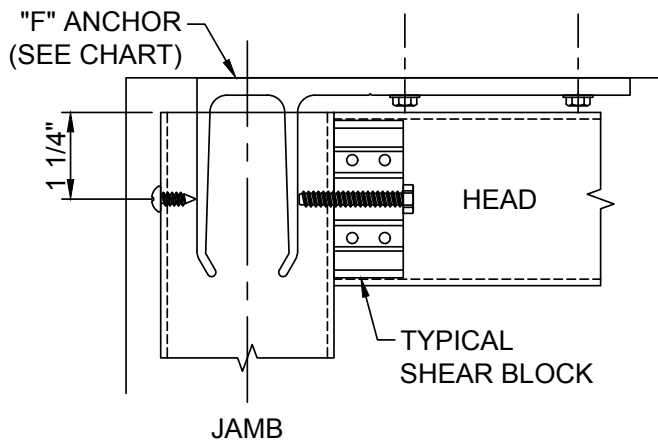




**NOTE:**

1. ANCHOR BOLT DESIGNED BY STRUCTURAL ENGINEER.
2. WWW-104-01 ALUM. ANCHOR MAXIMUM ALLOWABLE END REACTION IS 375 LBS. PER ANCHOR, I.E. 375 LBS. AT JAMB VERTICAL, 750 LBS. AT INTERMEDIATE VERTICAL.





PLAN VIEW

**NOTE:**

1. ANCHOR BOLT SIZE AND LOCATION DETERMINED BY STRUCTURAL ENGINEER

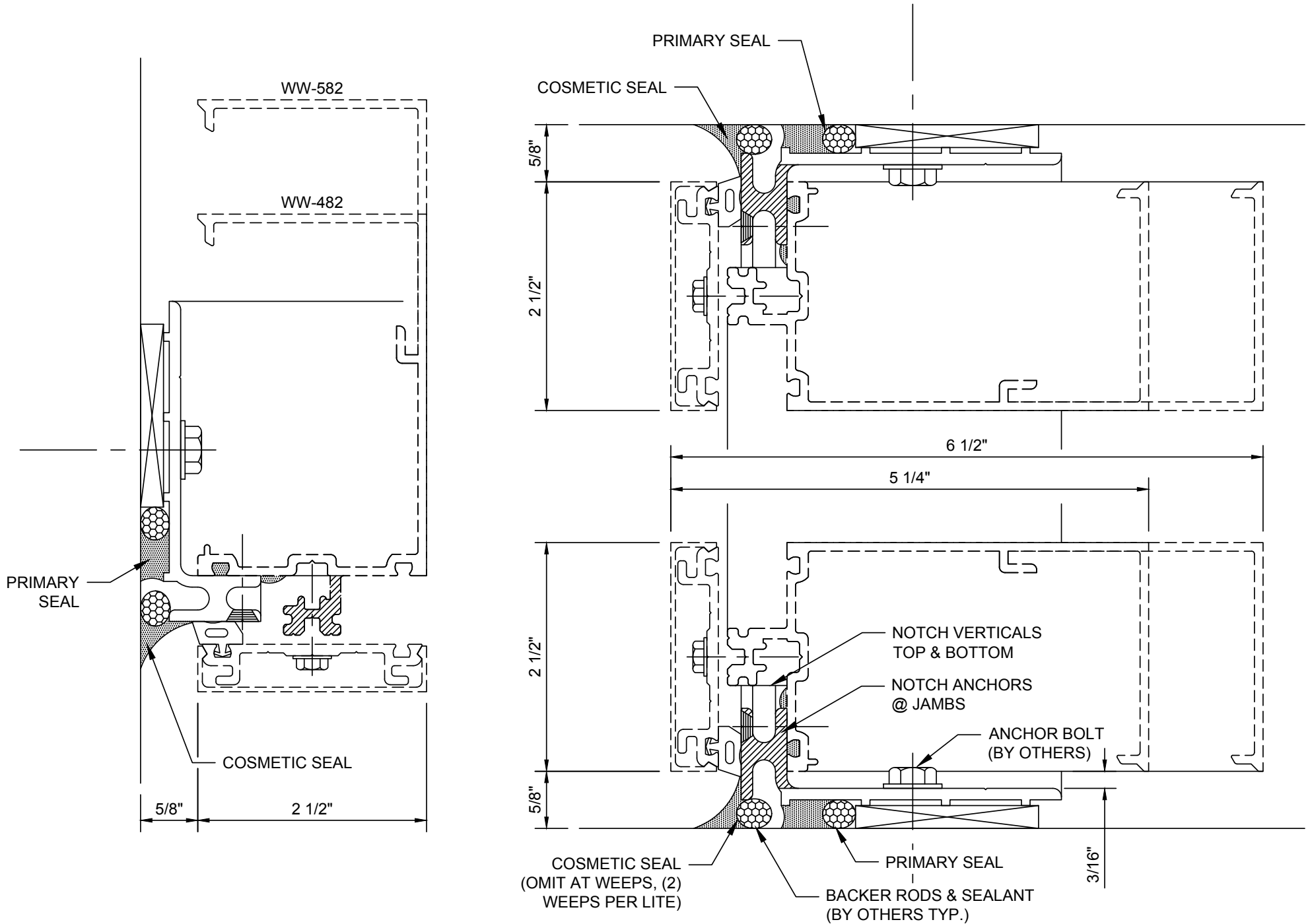
## Reliance™ Curtain Wall "F" & "T" Anchors - H3425

### "F" ANCHOR CHART

PART NO.	MULLION
WW-103-01	WW-500 / WW-503 / WW-550 / WW-553
WW-103-02	WW-504 / WW-510 / WW-560
WW-103-03	WW-400 / WW-403 / WW-450 / WW-453
WW-103-04	WW-404 / WW-410 / WW-460
WW-106-01	WW-800 / WW-804 / WW-850
WW-106-02	WW-810

### "T" ANCHOR CHART

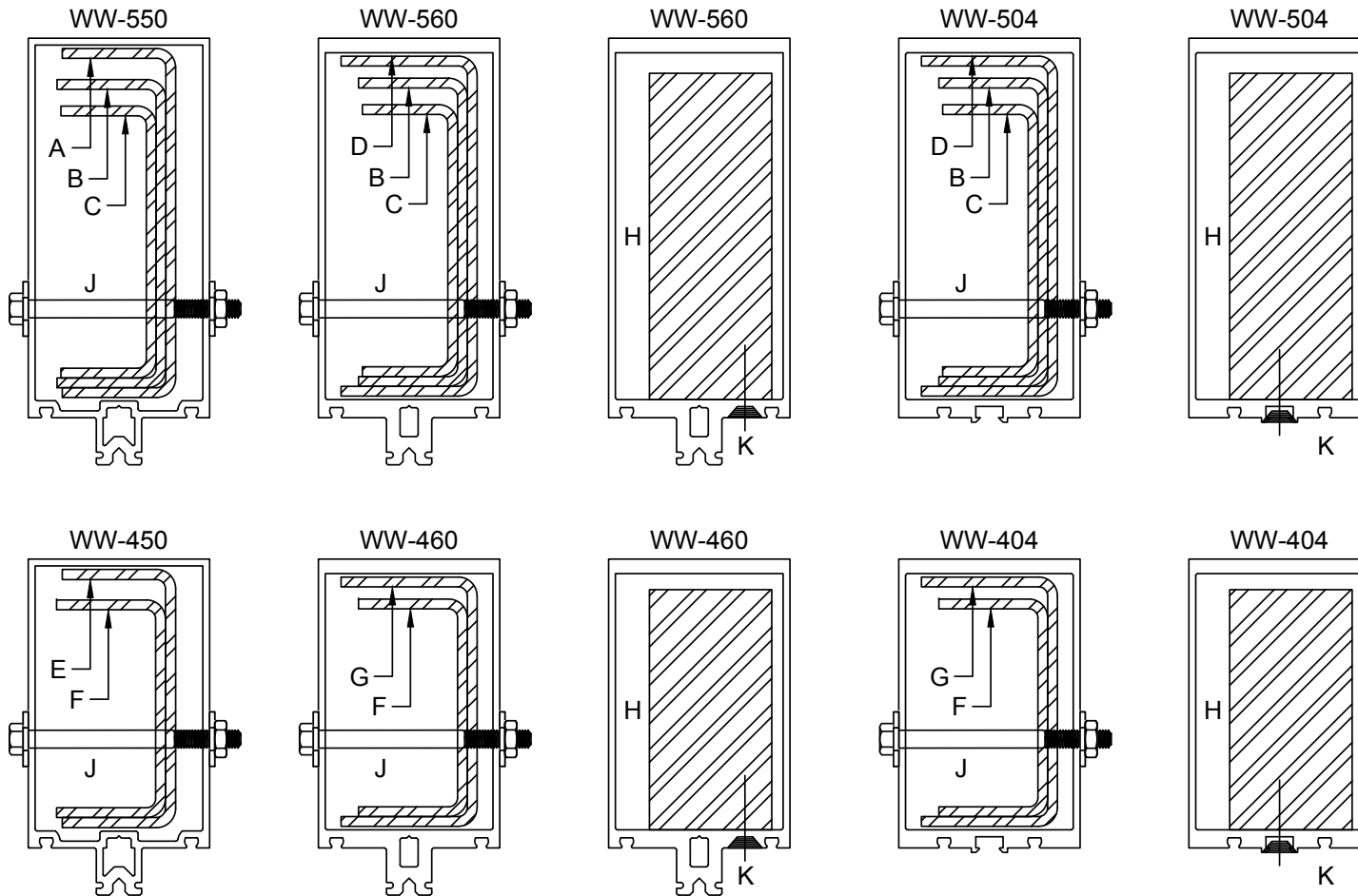
PART NO.	MULLION
WW-102-01	WW-500 / WW-550
WW-102-02	WW-504 / WW-510 / WW-560
WW-102-03	WW-400 / WW-450
WW-102-04	WW-404 / WW-410 / WW-460
WW-102-05	WW-240 (90° CORNER)
WW-102-06	WW-230 (135° CORNER)
WW-102-07	WW-241 (135° INSIDE SSG CORNER)
WW-105-01	WW-800 / WW-804 / WW-850
WW-105-02	WW-810
WW-105-06	WW-1175 (90° OUTSIDE CORNER)



**Reliance™ Curtain Wall**  
**Perimeter Anchor - H3729**

SEE APPROVED SHOP DRAWINGS FOR SPECIFIC REQUIREMENTS.

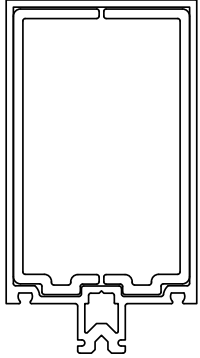
REF. INSTALLATION MANUAL FOR ADDITIONAL INFO.



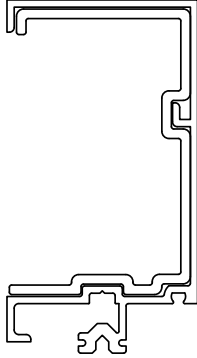
STEEL REINFORCING CHART	
A	RS-19 (1 9/16" X 4 13/16" 10 GA.)
B	PP-16 (1 1/2" X 4 1/4" 10 GA.)
C	PP-17 (1 5/16" X 3 3/4" 10 GA.)
D	RS-18 (1 7/8" X 4 11/16" 10 GA.)
E	RS-22 (1 9/16" X 3 9/16" 10 GA.)
F	RS-21 (1 1/2" X 3" 10 GA.)
G	RS-23 (1 7/8" X 3 7/16" 10 GA.)
H	STEEL BAR OPTION (BY OTHERS)
J	1/4"-20 X 3" HEX HEAD BOLT 1/4"-20 HEX NUT & WASHERS
K	FS-259 (1/4"-20 X 1" PFH)

## Reliance™ Curtain Wall Steel Reinforcement - H3730

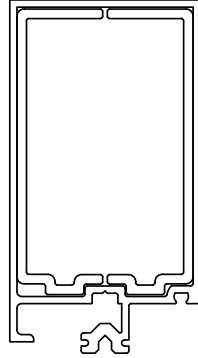
WW-450 / WW-550



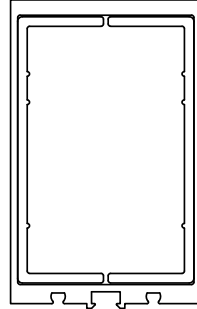
WW-452 / WW-552



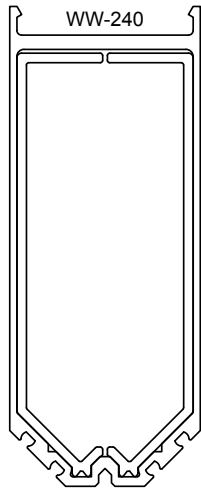
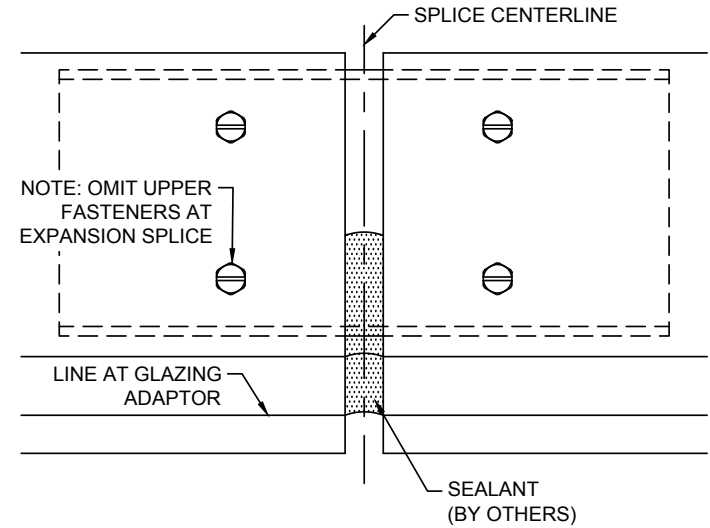
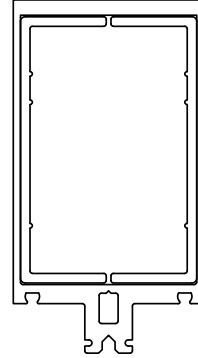
WW-453 / WW-553



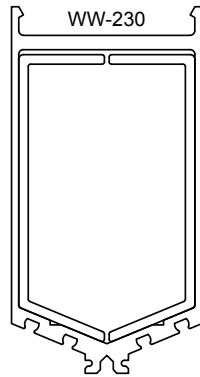
WW-404 / WW-504



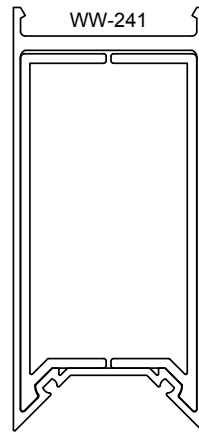
WW-460 / WW-560



WW-240



WW-230



WW-241

5-1/4" SYSTEM DEPTH	
MULLION	SPLICE
WW-450	WW-229-01
WW-452	WW-238-01
WW-453	WW-229-01
WW-404	WW-192-01
WW-460	WW-192-01
WW-230	WW-190-01
WW-240	WW-191-01
WW-241	WW-202-01

6-1/2" SYSTEM DEPTH	
MULLION	SPLICE
WW-550	WW-235-01
WW-552	WW-239-01
WW-553	WW-235-01
WW-504	CW-74
WW-560	CW-74
WW-230	WW-190-01
WW-240	WW-191-01
WW-241	WW-202-01

REFERENCE INSTALLATION MANUAL FOR ADDITIONAL SPLICE INFO.

## Reliance™ Curtain Wall Mullion Splice - H3743