

Oldcastle BuildingEnvelope®

1-866-Oldcastle (653-2278) - www.obe.com

RELIANCE CURTAIN WALL 2-1/2" X 5-1/4" - 1/4" GLAZING

Elev-Reliance-2.5x5.25

Horizontal Details

H3801	Head
H3804	Sill
H3805	Typical Horizontal
H3808	Roll-Over Horizontal
H3819	Flat Frame Operable Window

Vertical Details

V3801	Jamb - Open Back
V3802	Typical Vertical
V3805	Heavy Vertical
V3808	Jamb - Tubular
V3852	SSG Vertical
V3853	SSG Vertical at Transition to Captured
V3859	SSG Vertical at Operable Window

Corner Details

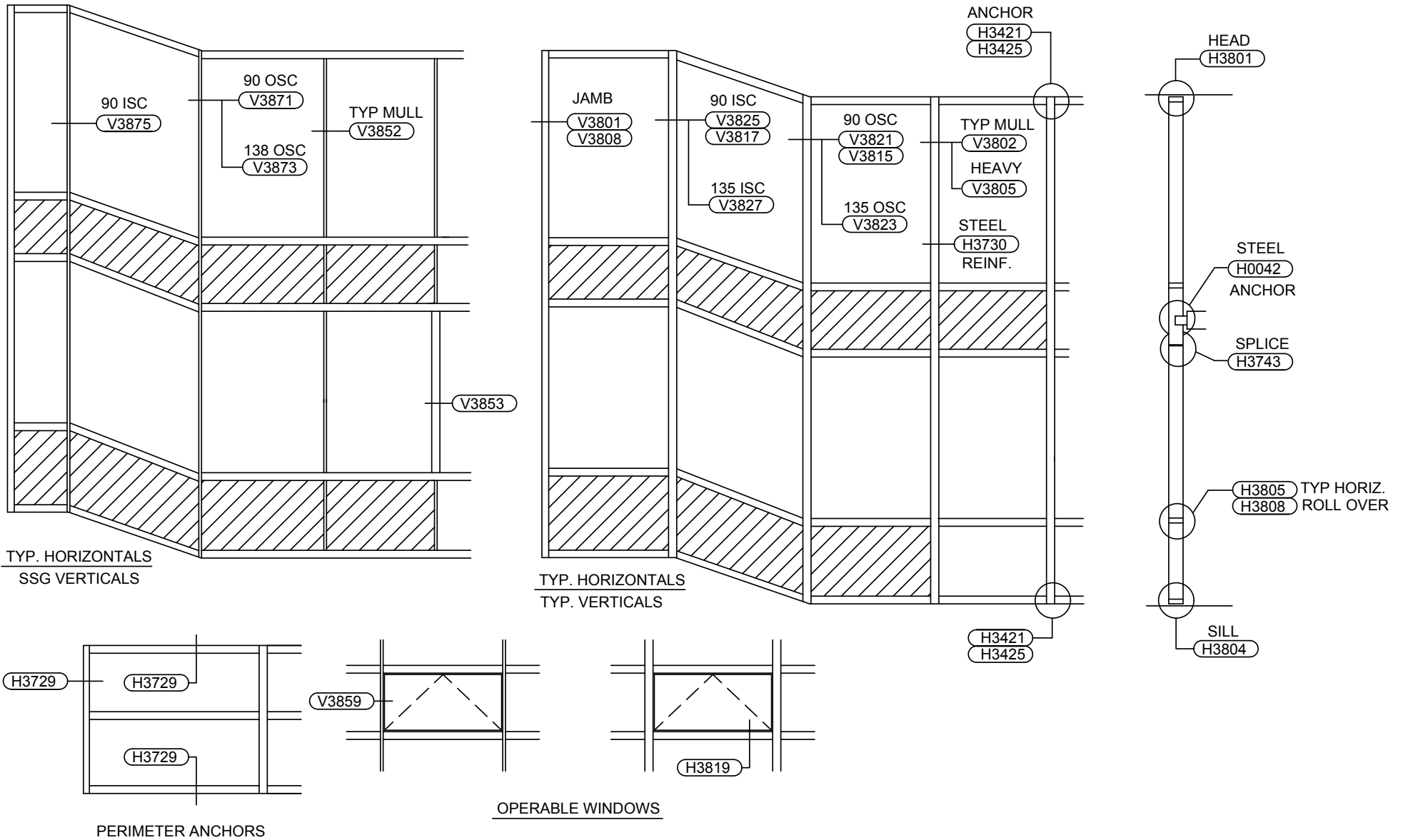
V3815	90° Outside Corner - 2 Mullion
V3817	90° Inside Corner - 2 Mullion
V3821	90° Outside Corner - Single Mullion
V3823	135° Outside Corner
V3825	90° Inside Corner - Single Mullion
V3827	135° Inside Corner
V3871	90° SSG Outside Corner
V3873	135° SSG Outside Corner
V3875	90° SSG Inside Corner

Misc. Details

H0042	Steel Anchor
H3421	Shear Block Anchor
H3425	'F' & 'T' Mullion Anchor
H3729	Perimeter Anchor
H3730	Steel Reinforcement
H3743	Mullion Splicing

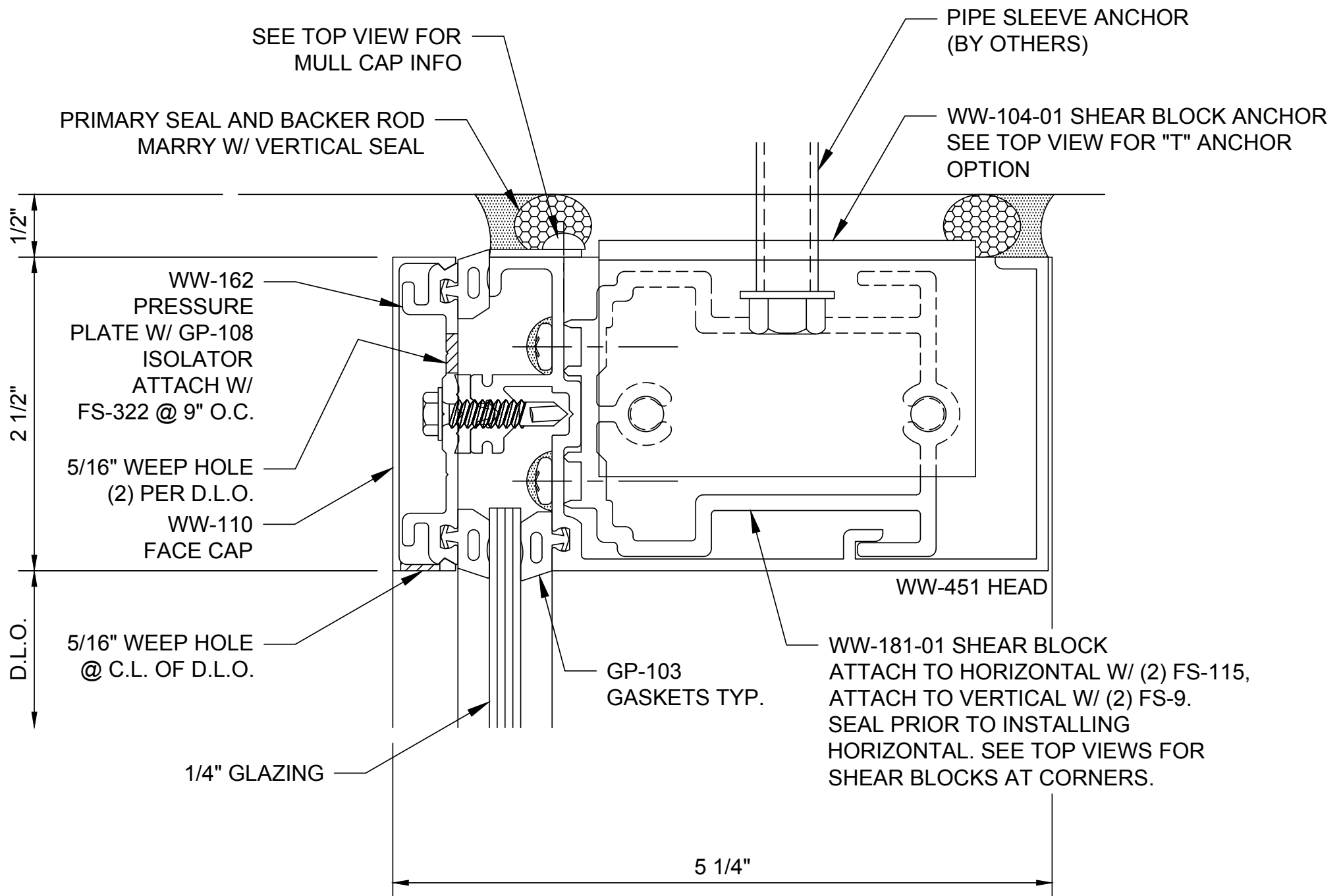
Table of Contents

Note: For Door Models visit : <http://www.obe.com/products/entrances/swing-entrances/standard-ns-212ms-375ws-500-door-and-frame>

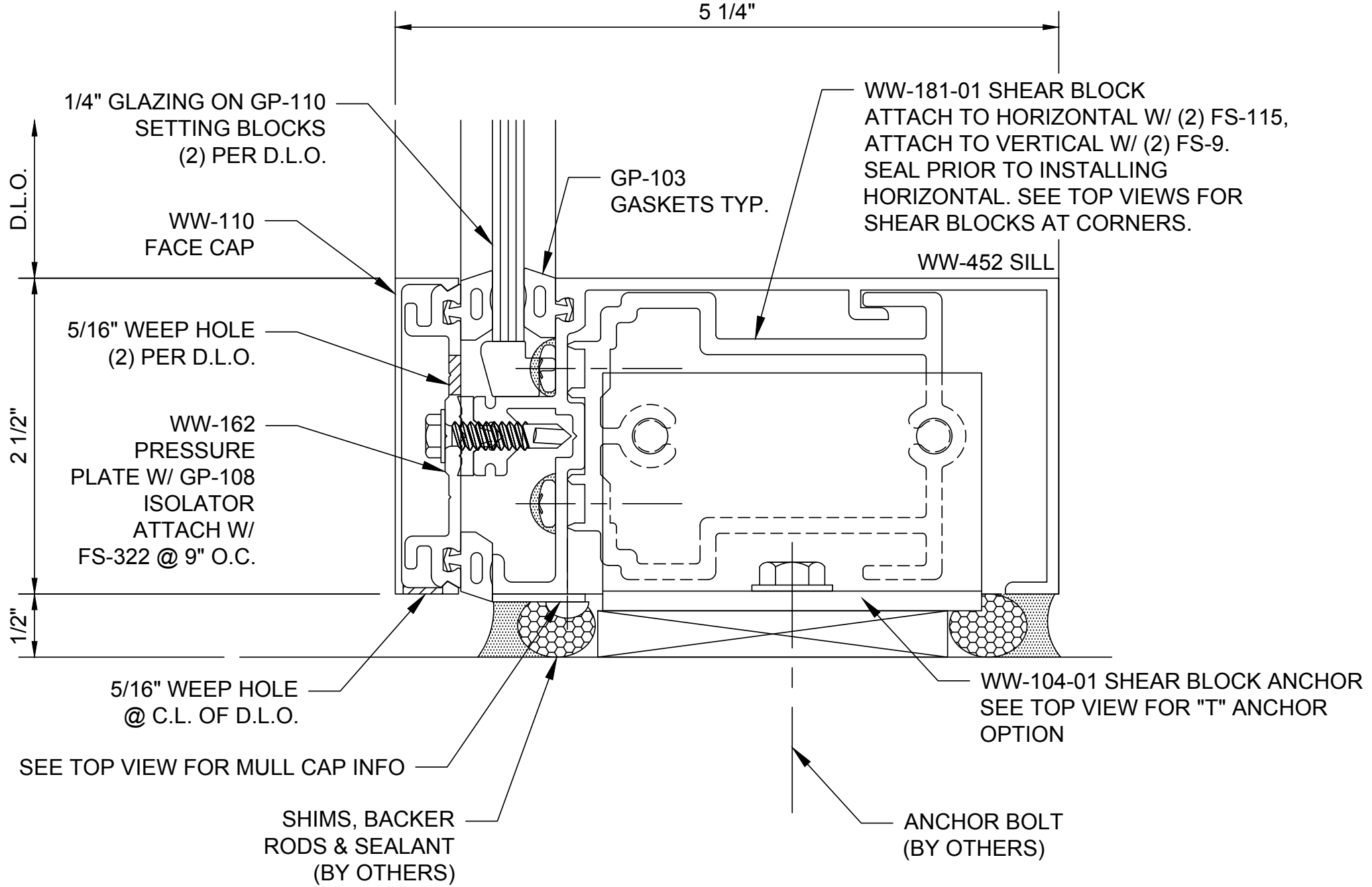


Reliance™ Curtain Wall

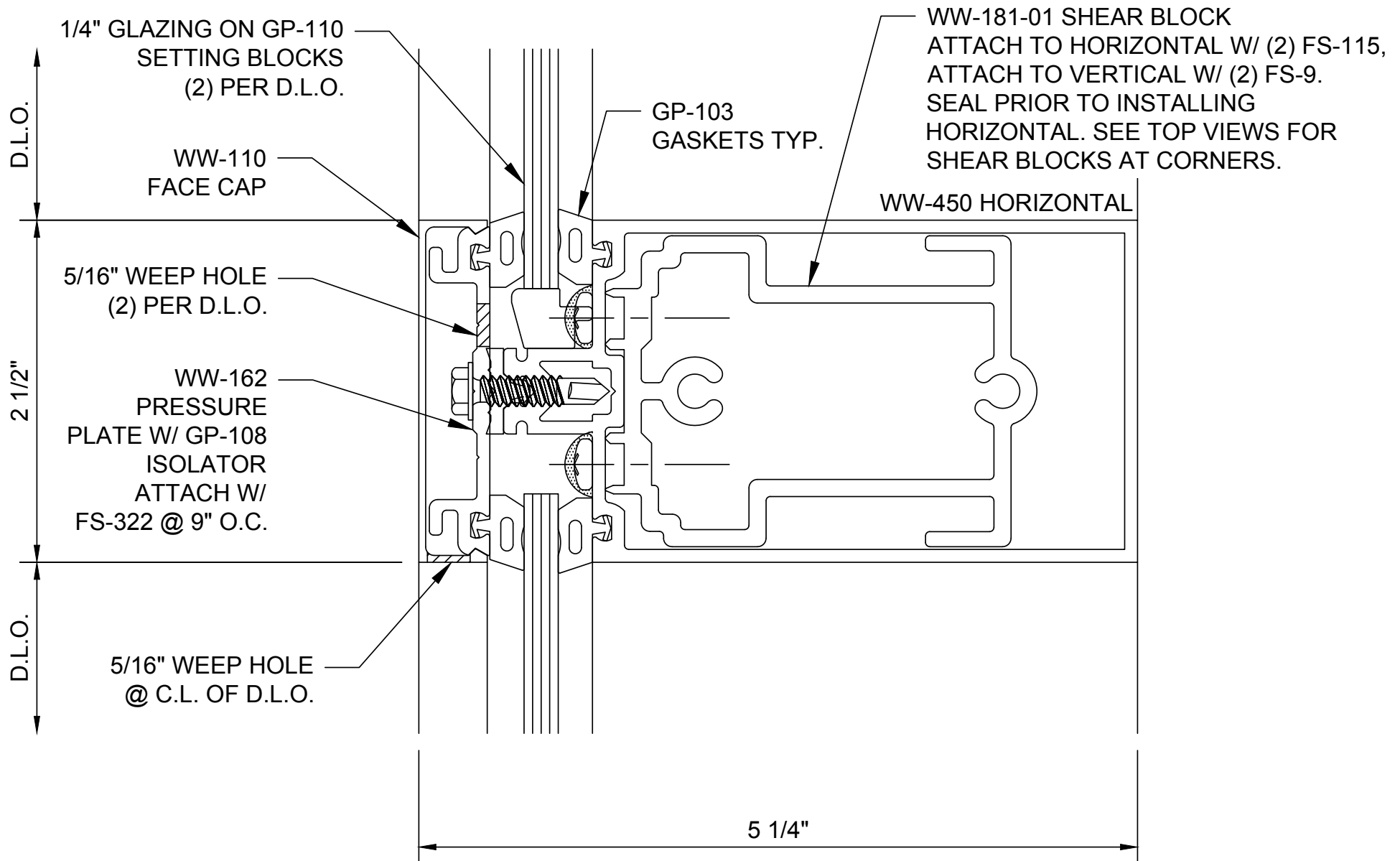
2-1/2" x 5-1/4" w/ 1/4" Glazing - Elevation



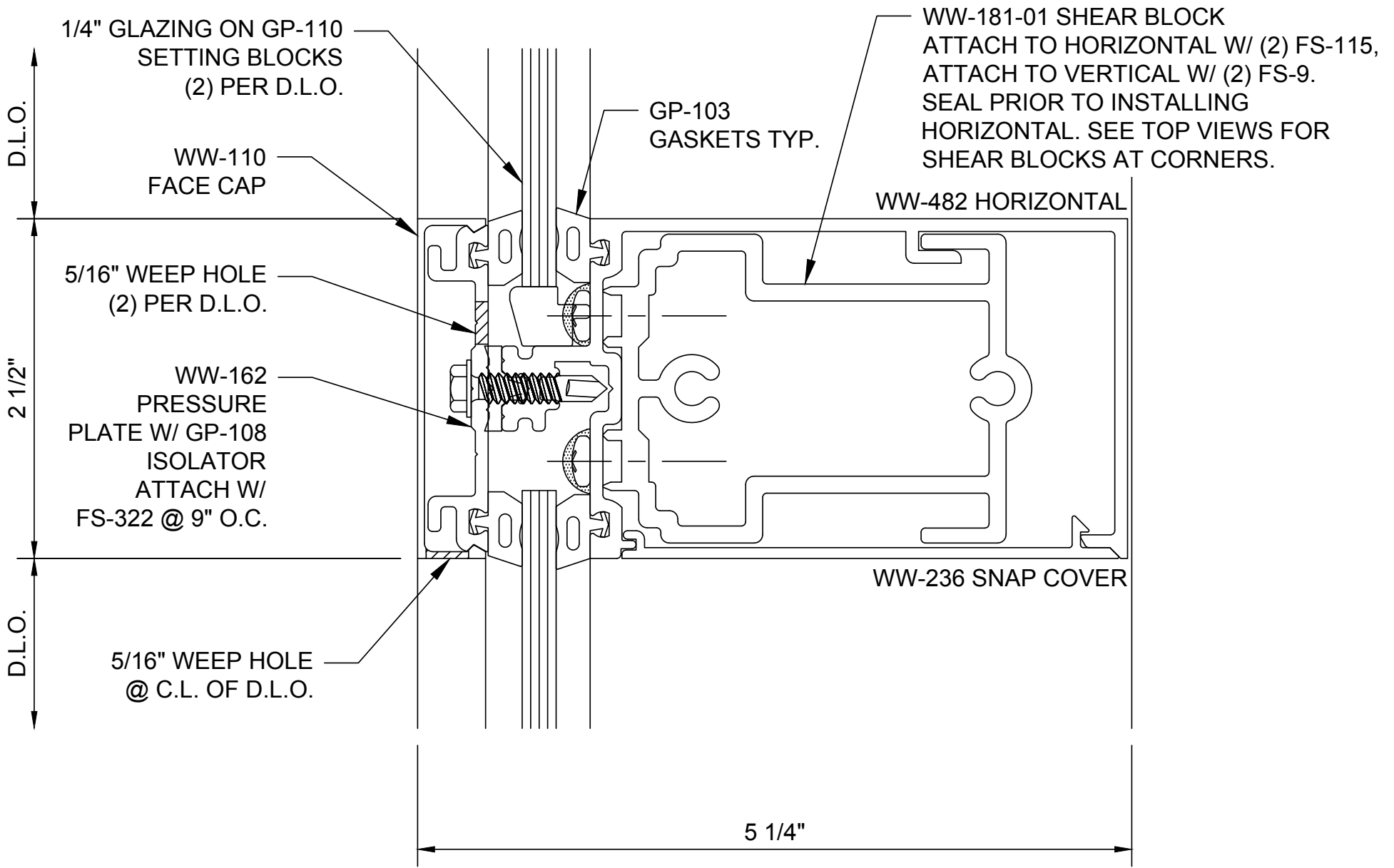
**Reliance™ Curtain Wall
Head Horizontal at Vision - H3801**



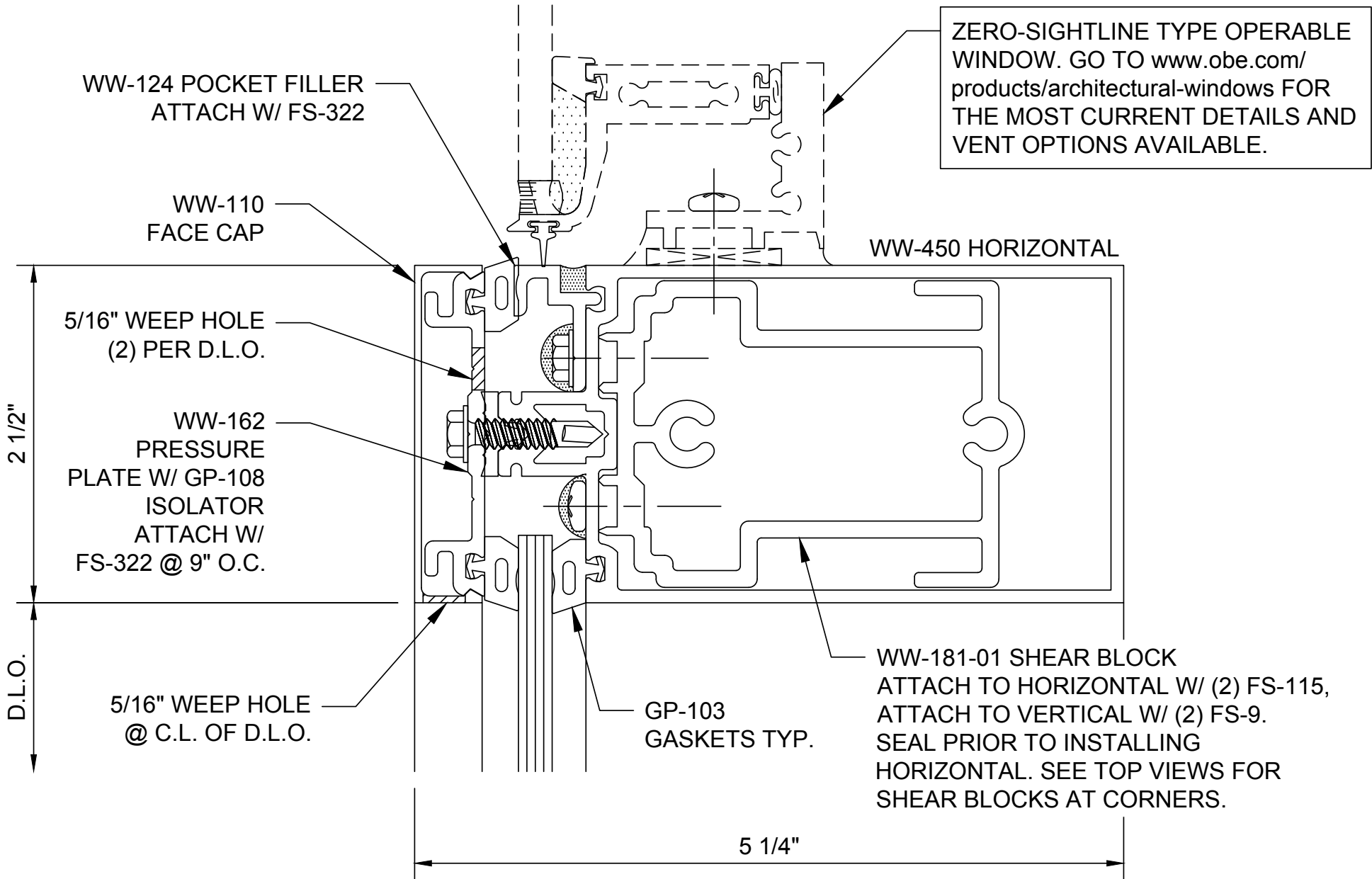
Reliance™ Curtain Wall
Sill Horizontal at Vision - H3804



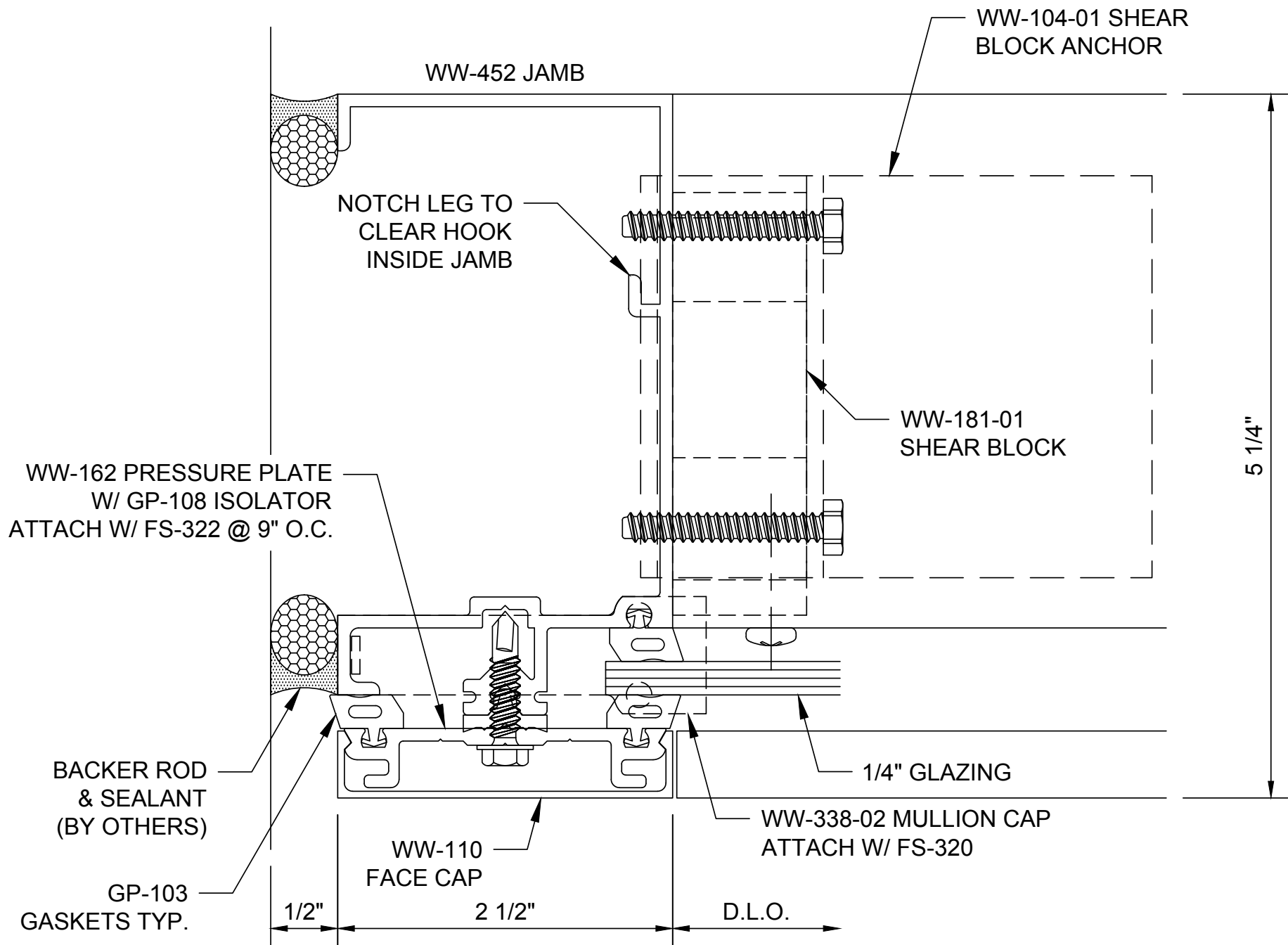
Reliance™ Curtain Wall
Intermediate Horizontal at Vision - H3805



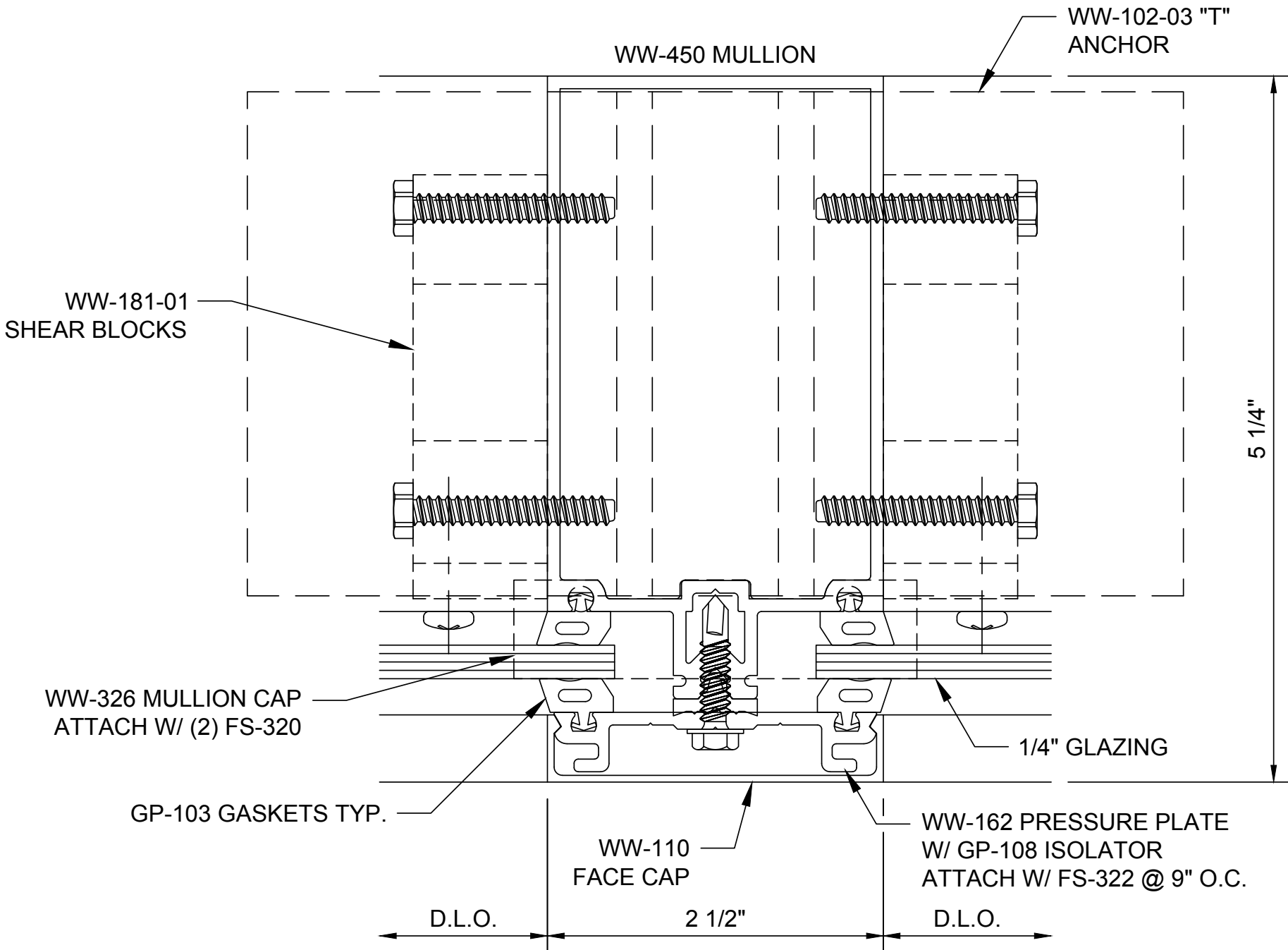
Reliance™ Curtain Wall
Roll-Over Horizontal at Vision - H3808



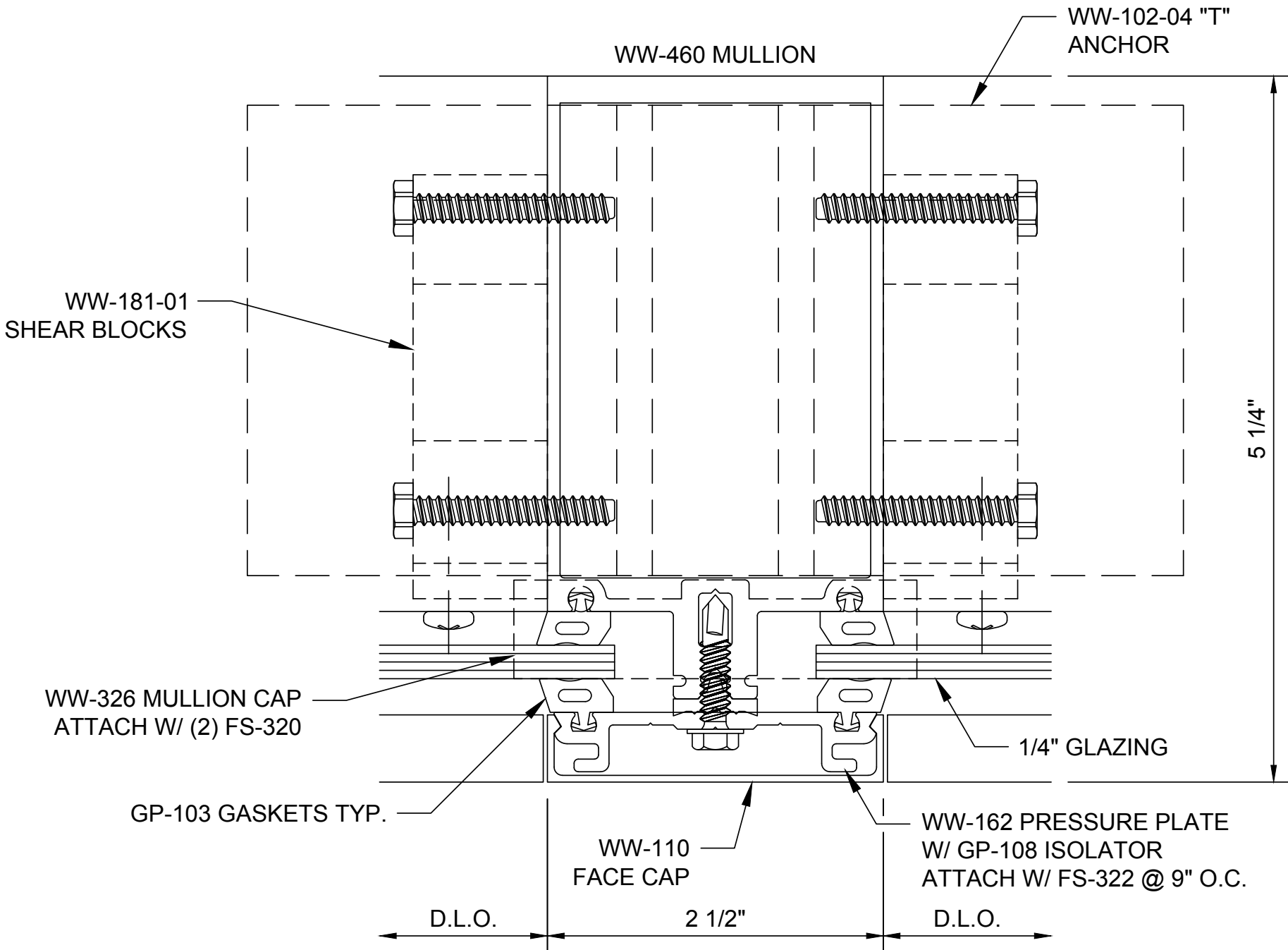
**Reliance™ Curtain Wall
Horizontal at Operable Window - H3819**



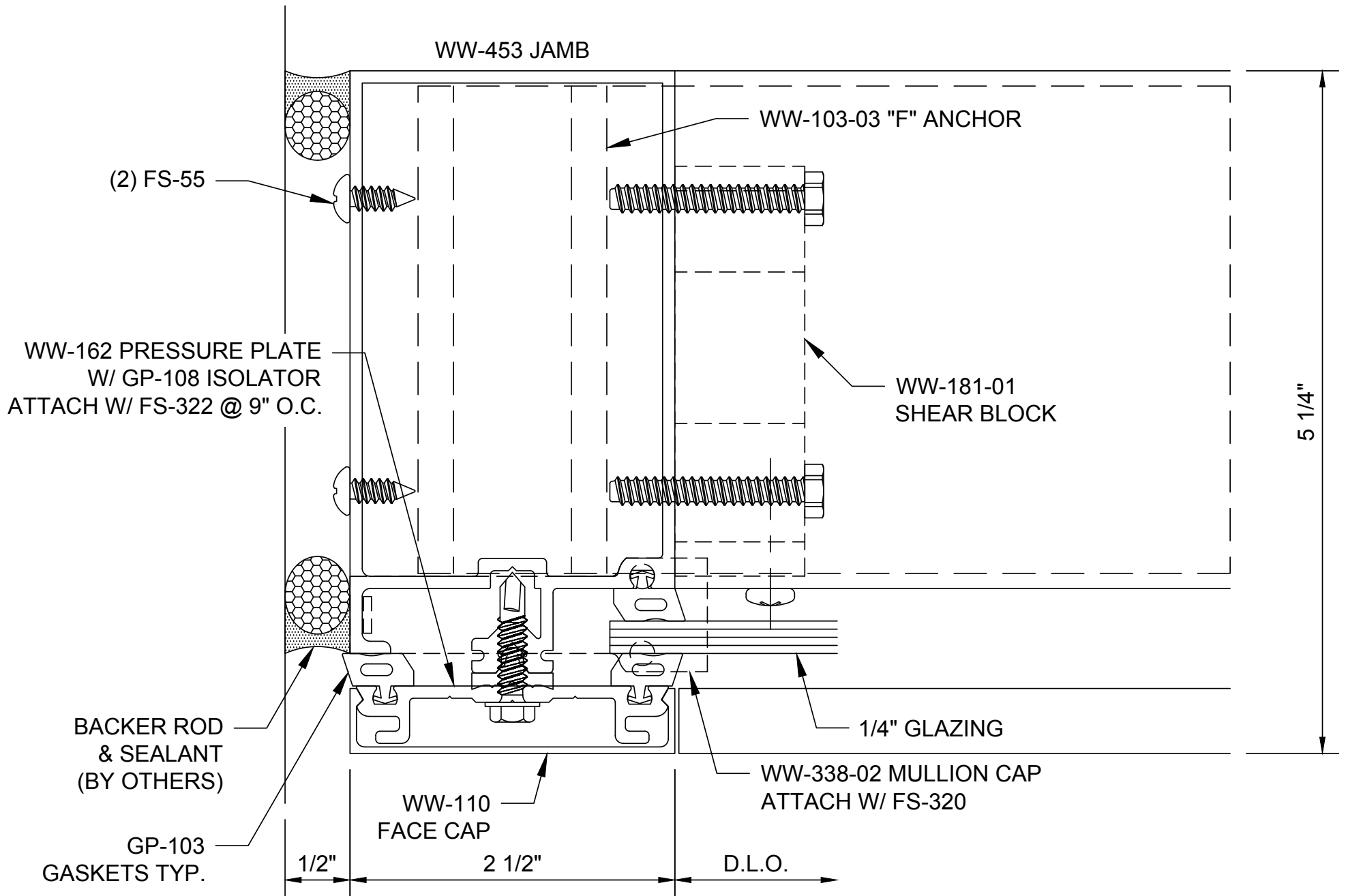
**Reliance™ Curtain Wall
Open-Back Jamb Vertical - V3801**



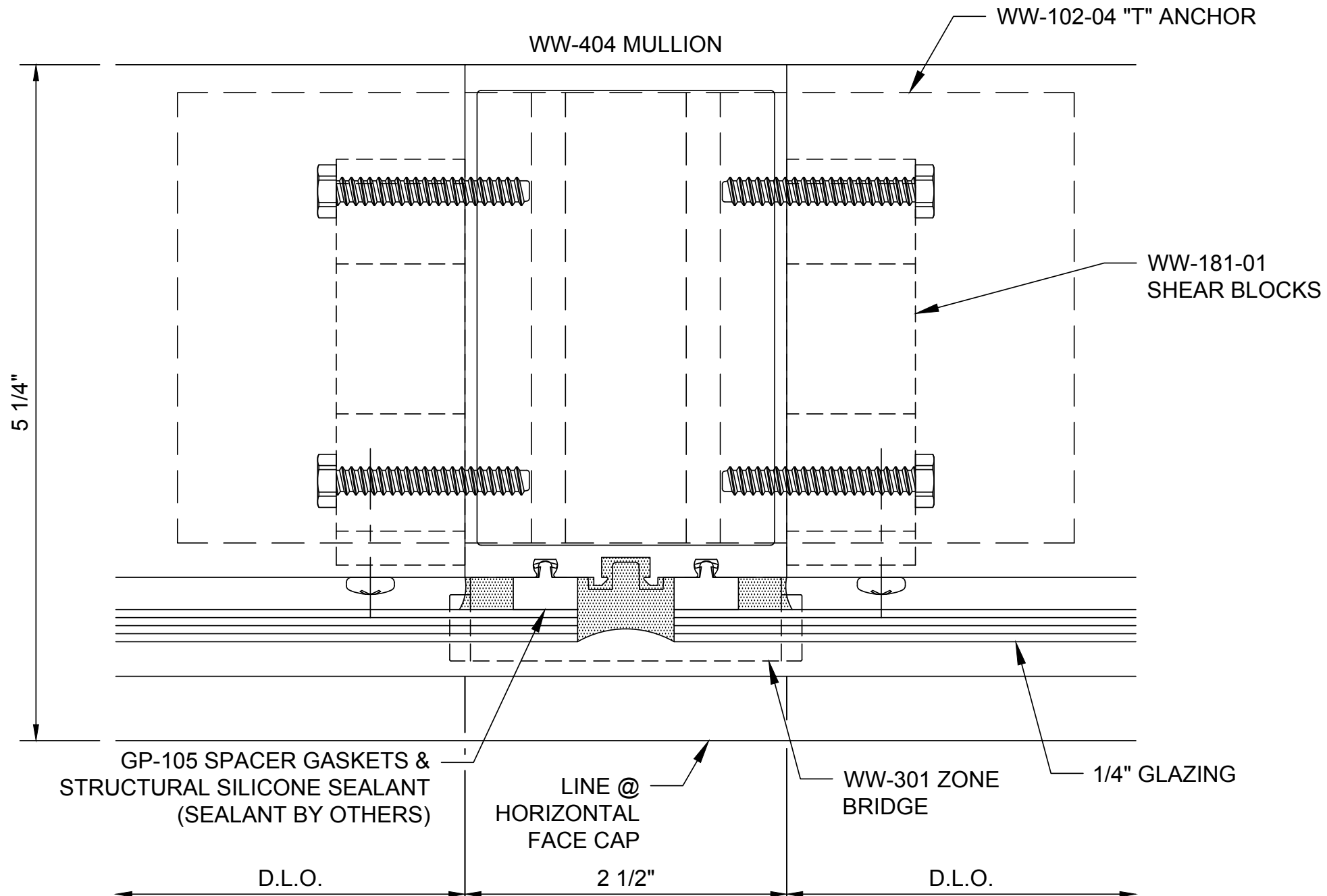
Reliance™ Curtain Wall
Typical Vertical Mullion - V3802



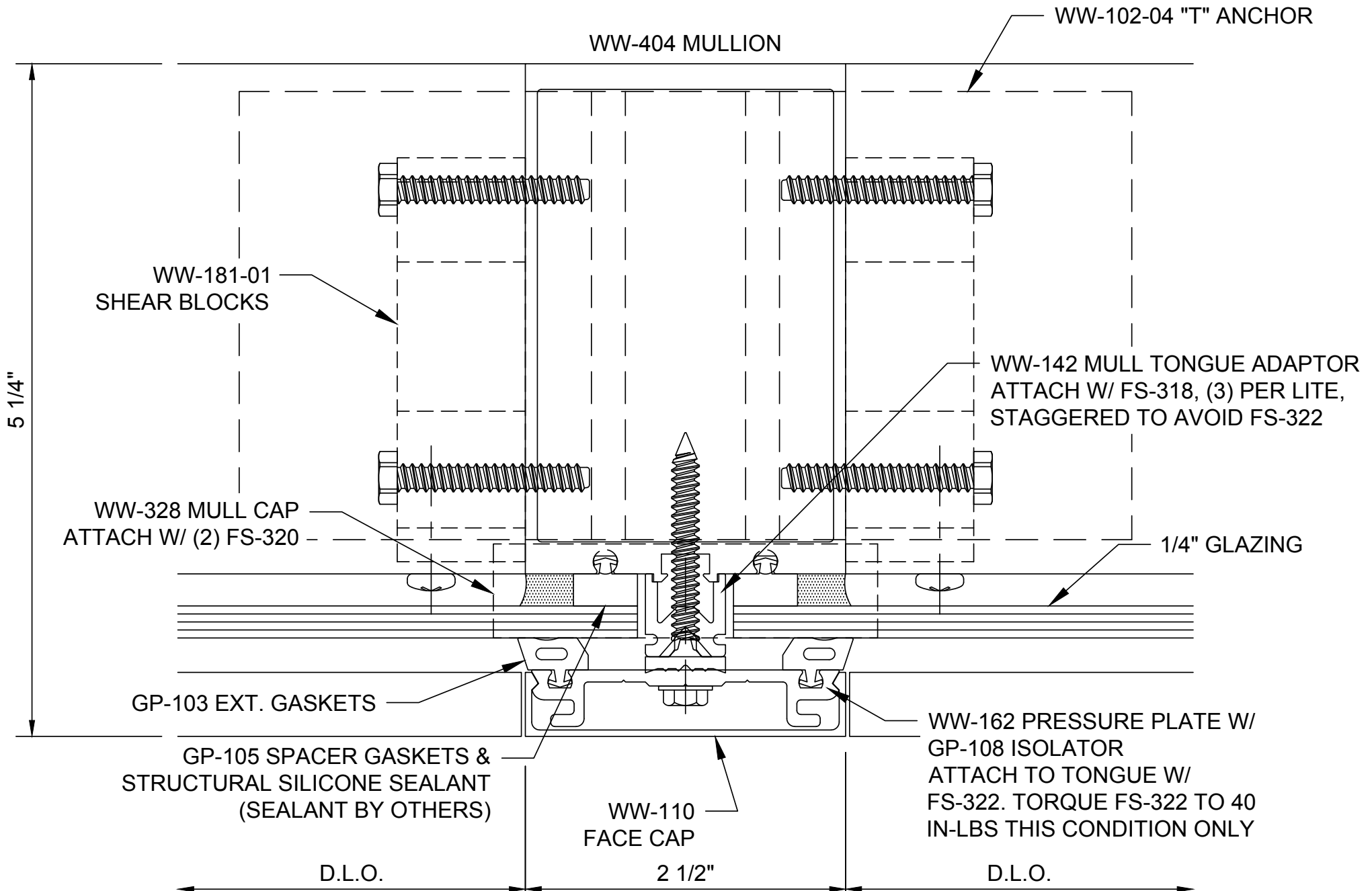
**Reliance™ Curtain Wall
Heavy Vertical Mullion - V3805**



**Reliance™ Curtain Wall
Tubular Jamb Vertical - V3808**

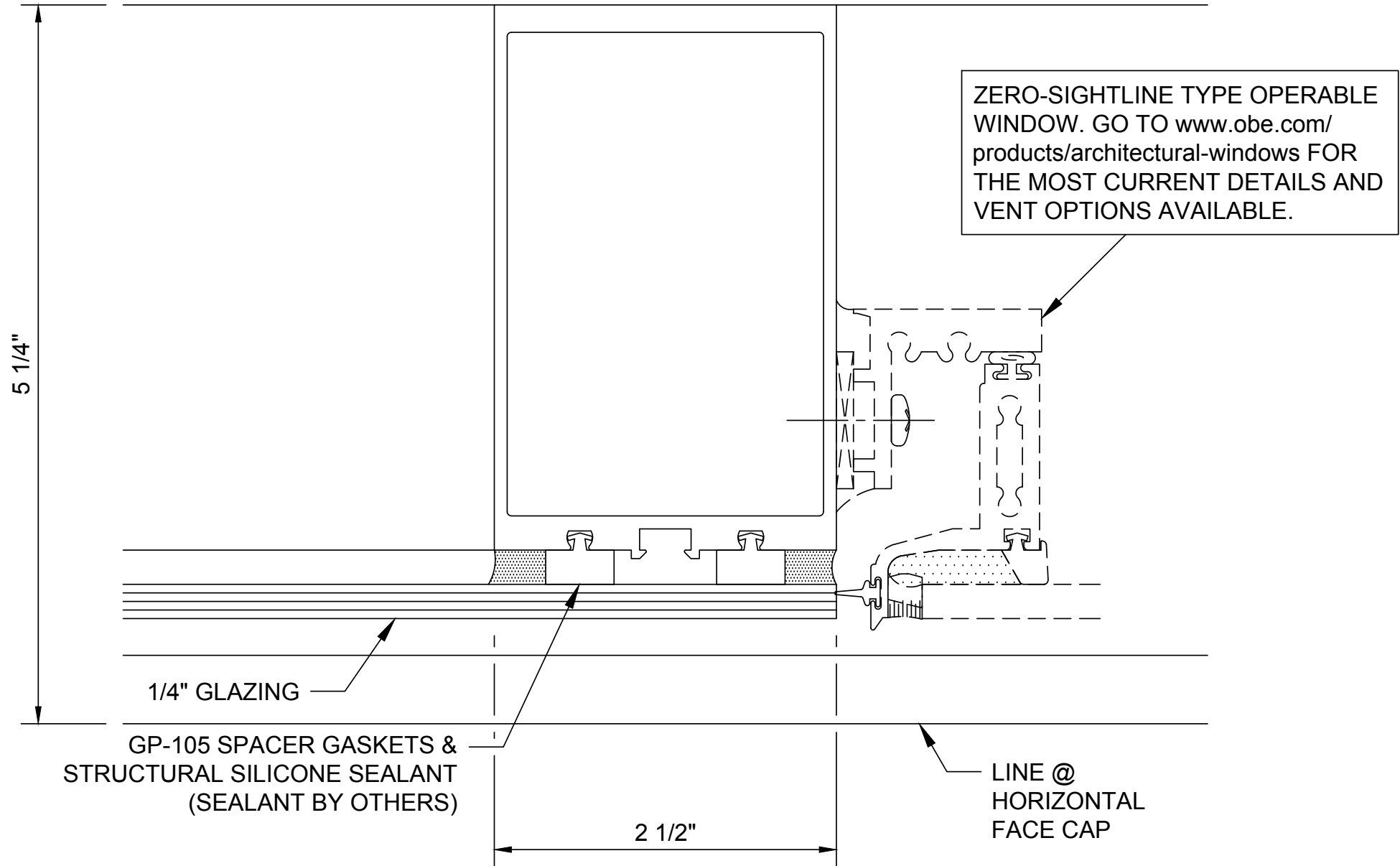


Reliance™ Curtain Wall
SSG Vertical Mullion - V3852

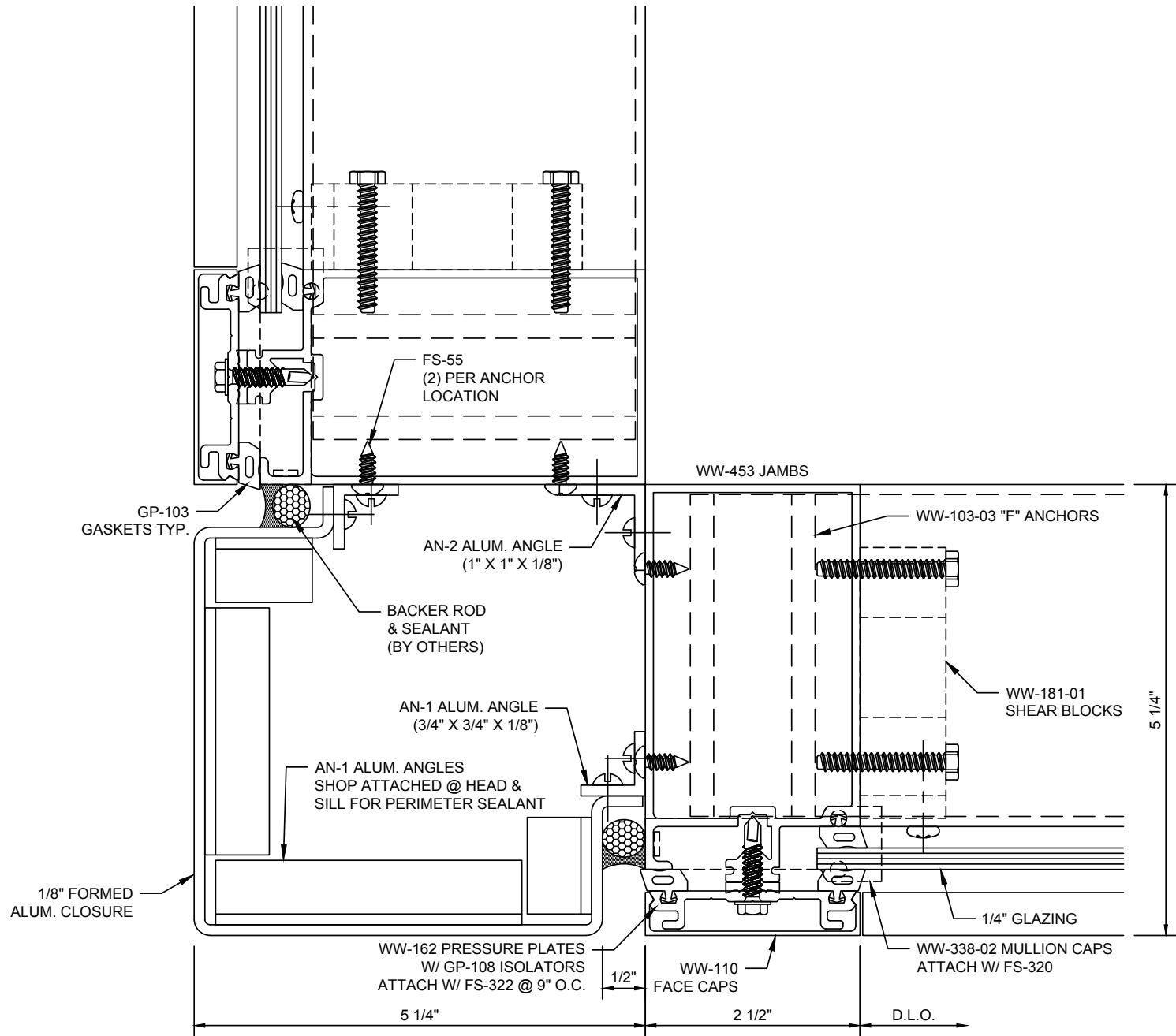


Reliance™ Curtain Wall
SSG Vertical Mullion @ SSG to Captured Transition - V3853

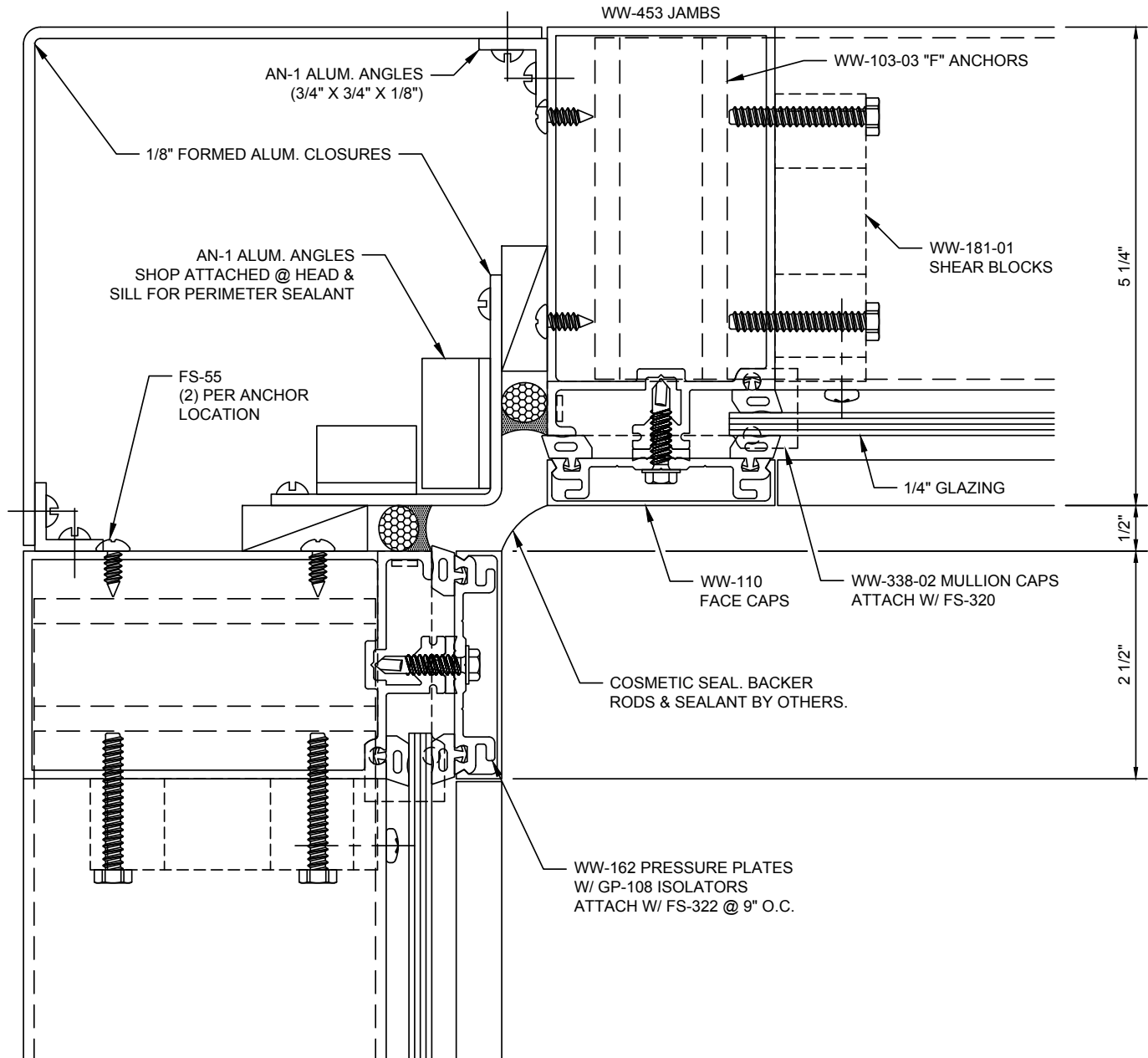
WW-404 MULLION



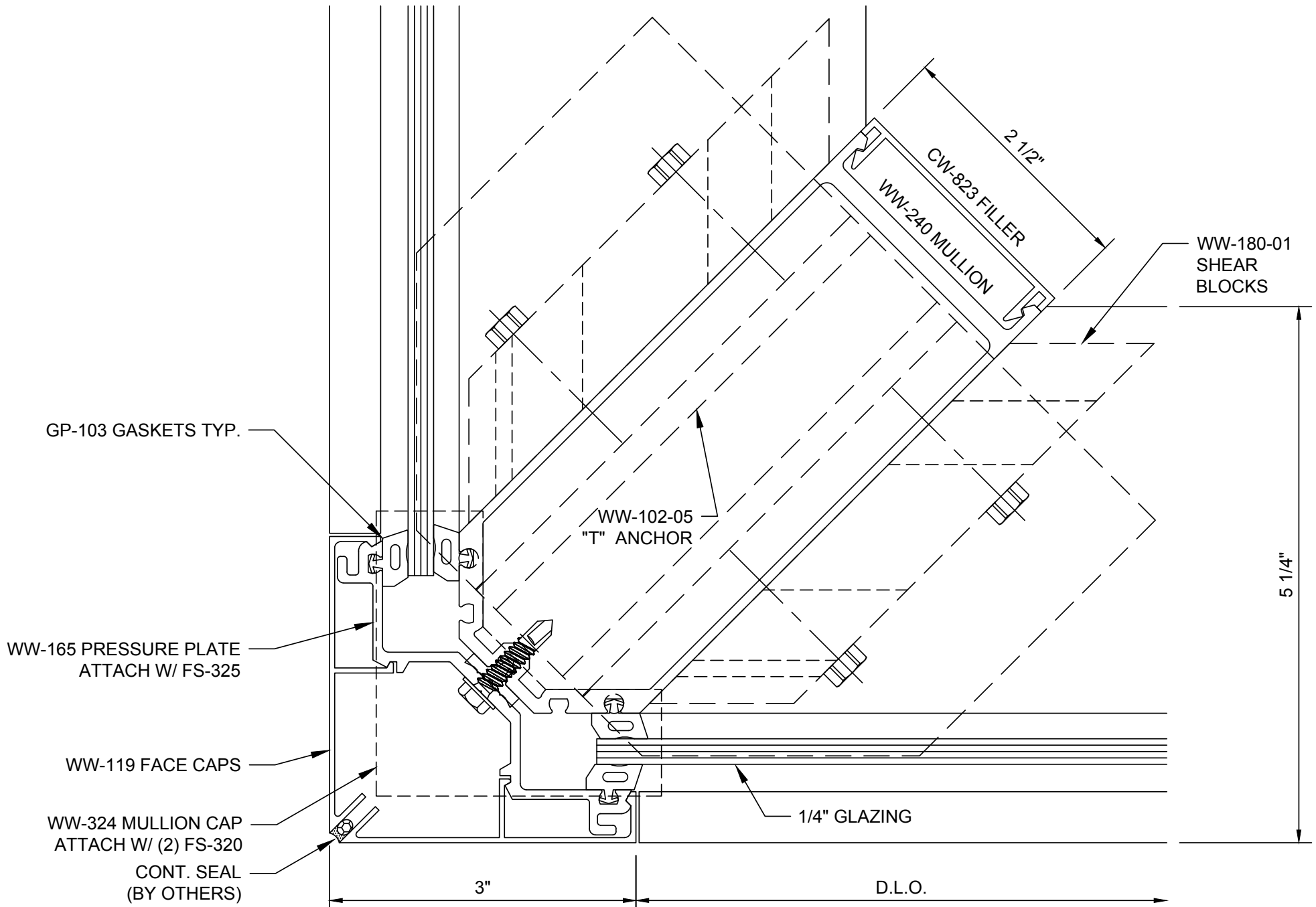
Reliance™ Curtain Wall
SSG Vertical at Operable Window - V3859



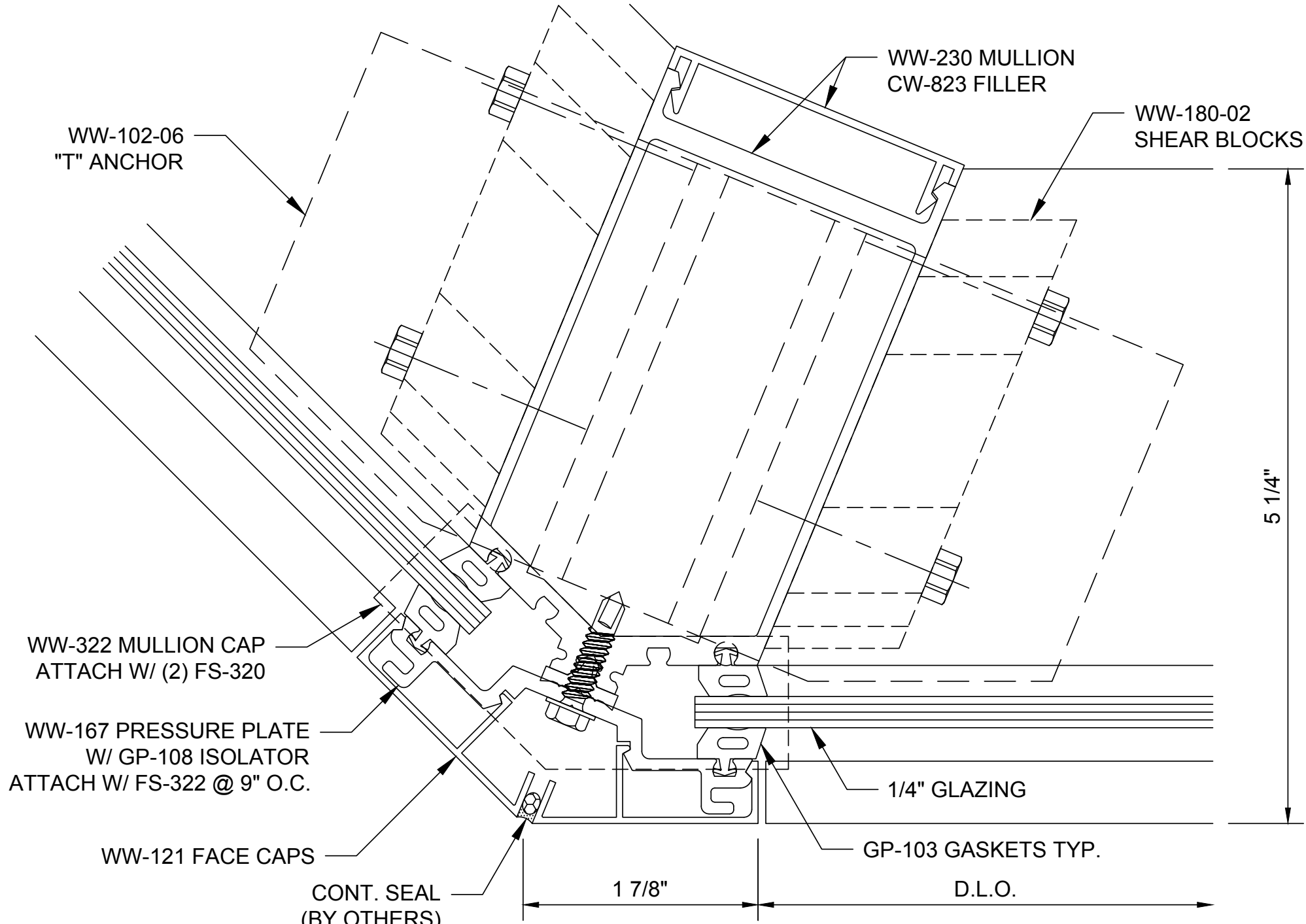
Reliance™ Curtain Wall 90° Outside Corner - V3815



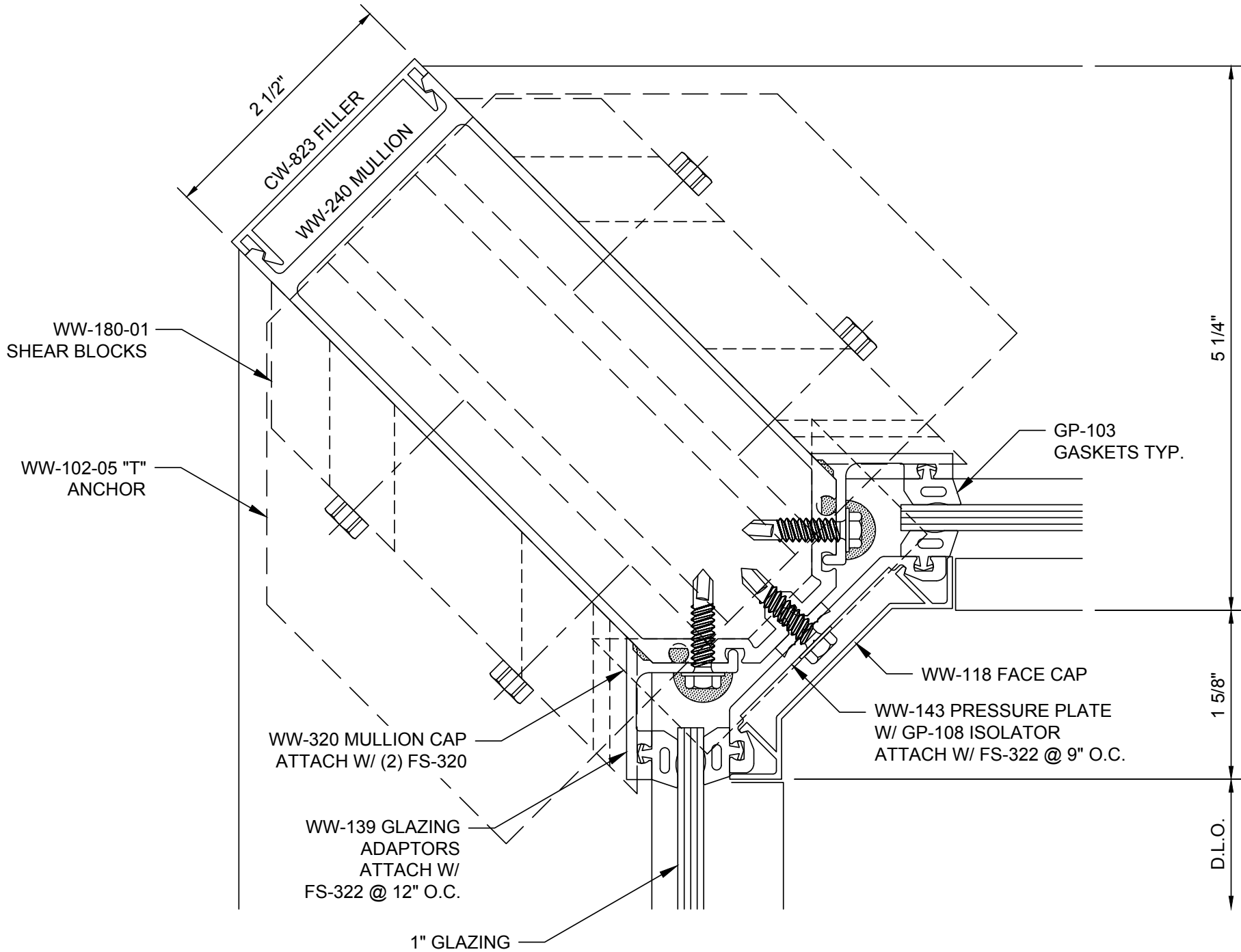
Reliance™ Curtain Wall 90° Inside Corner - V3817



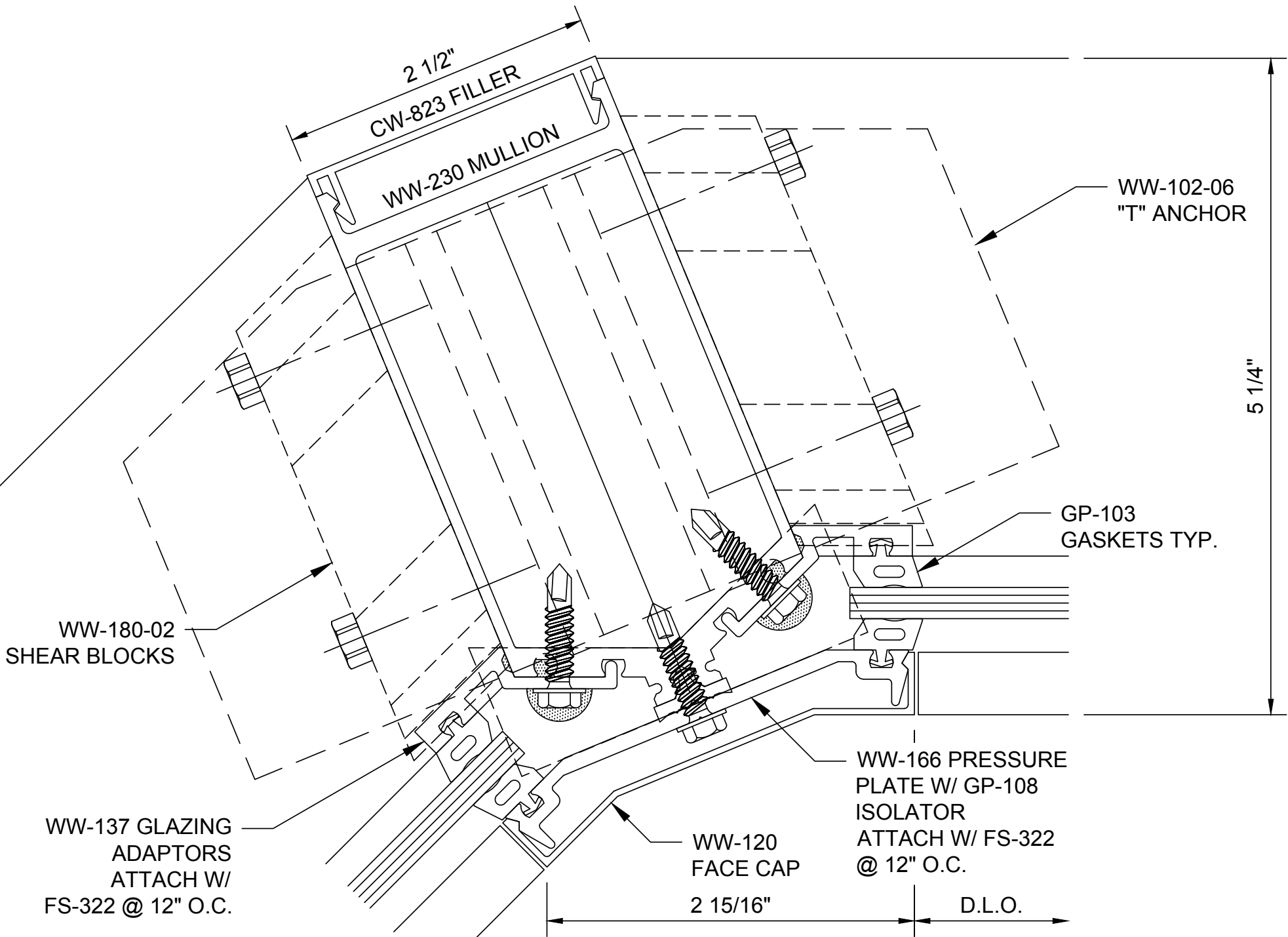
Reliance™ Curtain Wall
90° Outside Corner - V3821



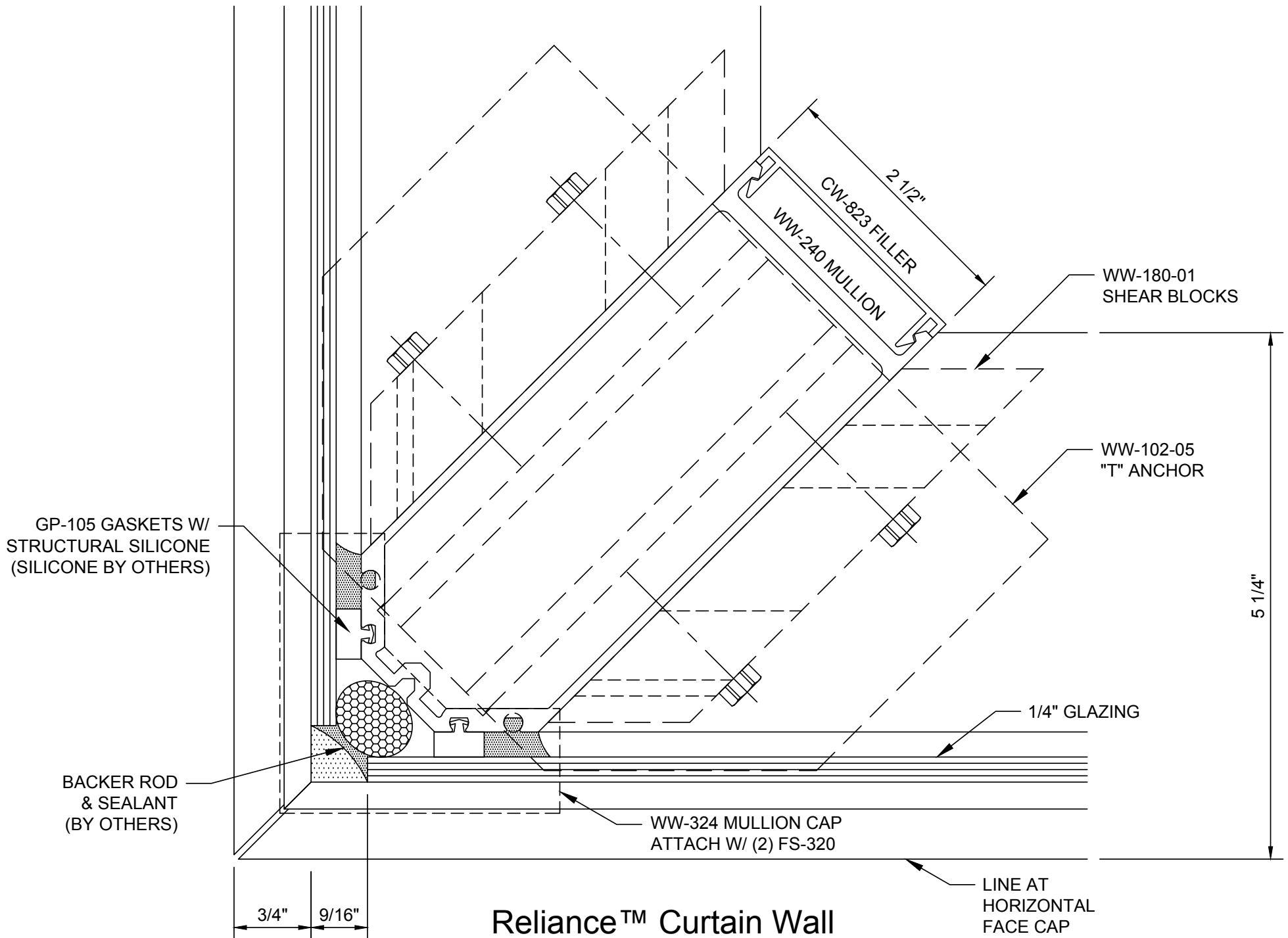
Reliance™ Curtain Wall
135° Outside Corner - V3823



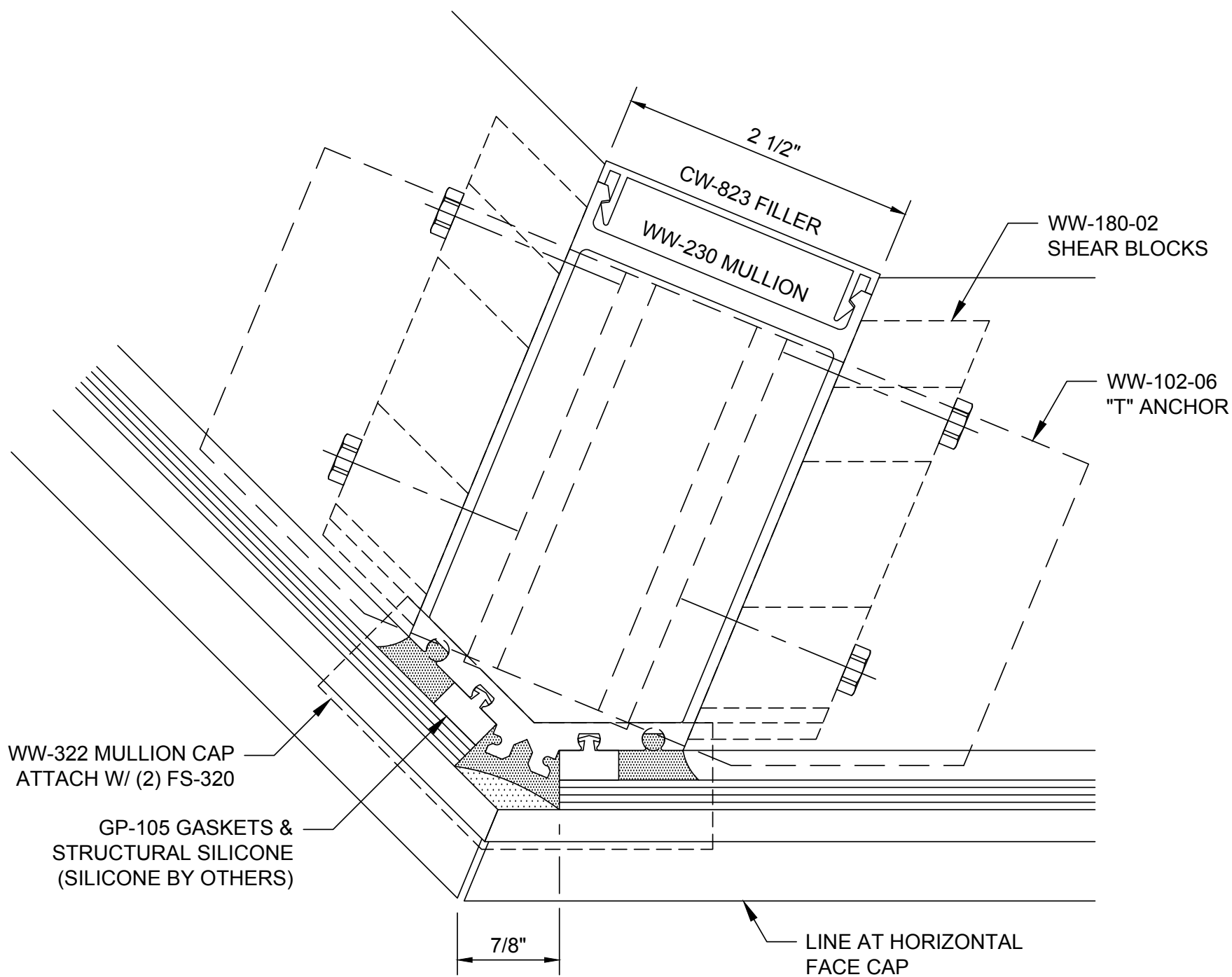
Reliance™ Curtain Wall
90° Inside Corner - V3825



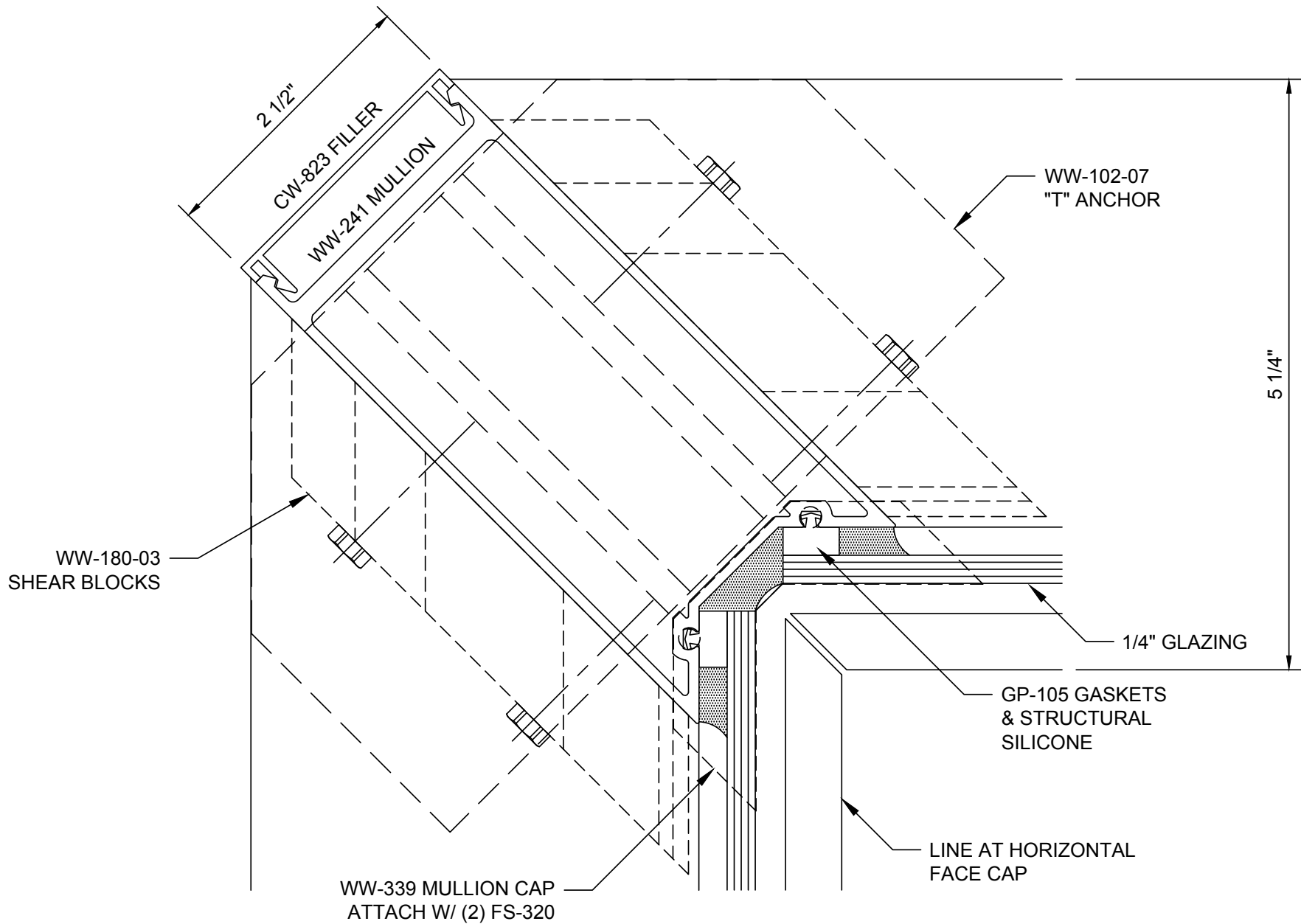
Reliance™ Curtain Wall
135° Inside Corner - V3827



Reliance™ Curtain Wall
90° Outside SSG Corner - V3871



Reliance™ Curtain Wall
135° Outside SSG Corner - V3873

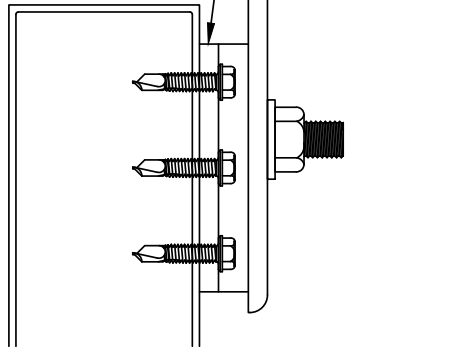


Reliance™ Curtain Wall
90° Inside SSG Corner - V3875

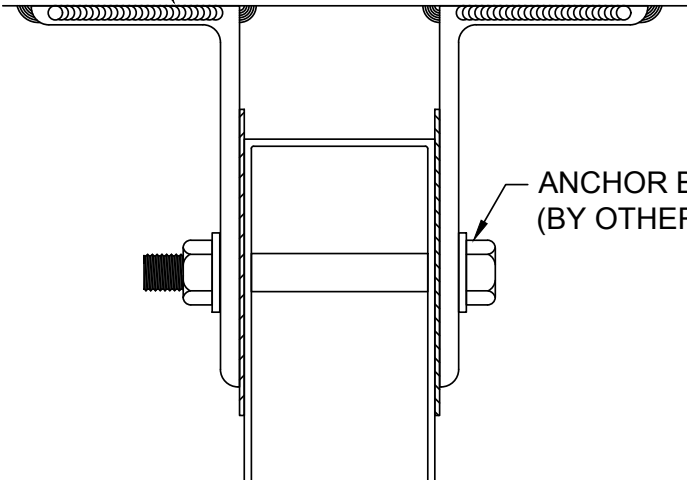
WELD AS REQUIRED BY INSTALLER

FLOOR SLAB OR BEAM

WW-2223 JAMB ANCHOR PLATE
ATTACH W/ (6) FS-336 (1/4"-20 X
1-1/8" HWH DRILL FLEX)

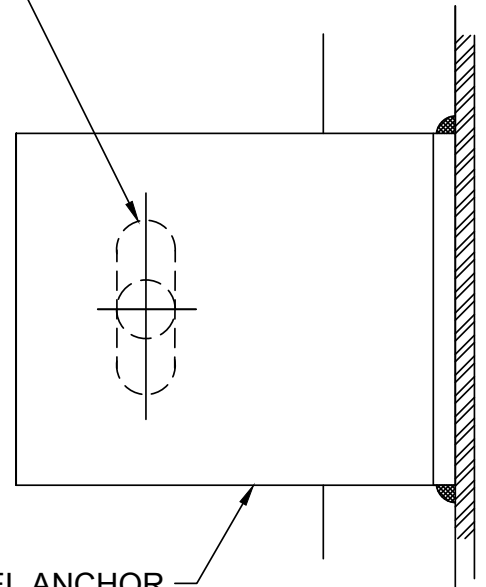


Plan View
Jamb Option



Plan View
Intermediate Mullion

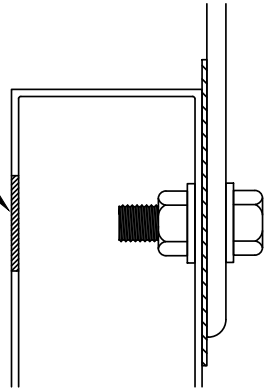
HOLE IN ANCHOR @ DEAD LOAD
SLOT IN ANCHOR @ WIND LOAD



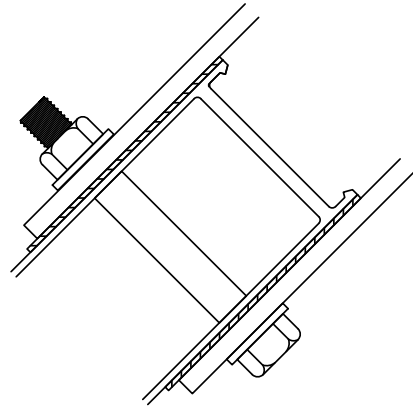
Side View

STEEL ANCHOR
DESIGN DETERMINED
BY ENGINEER. SEE
APPROVED SHOP
DRAWINGS.

ACCESS HOLE

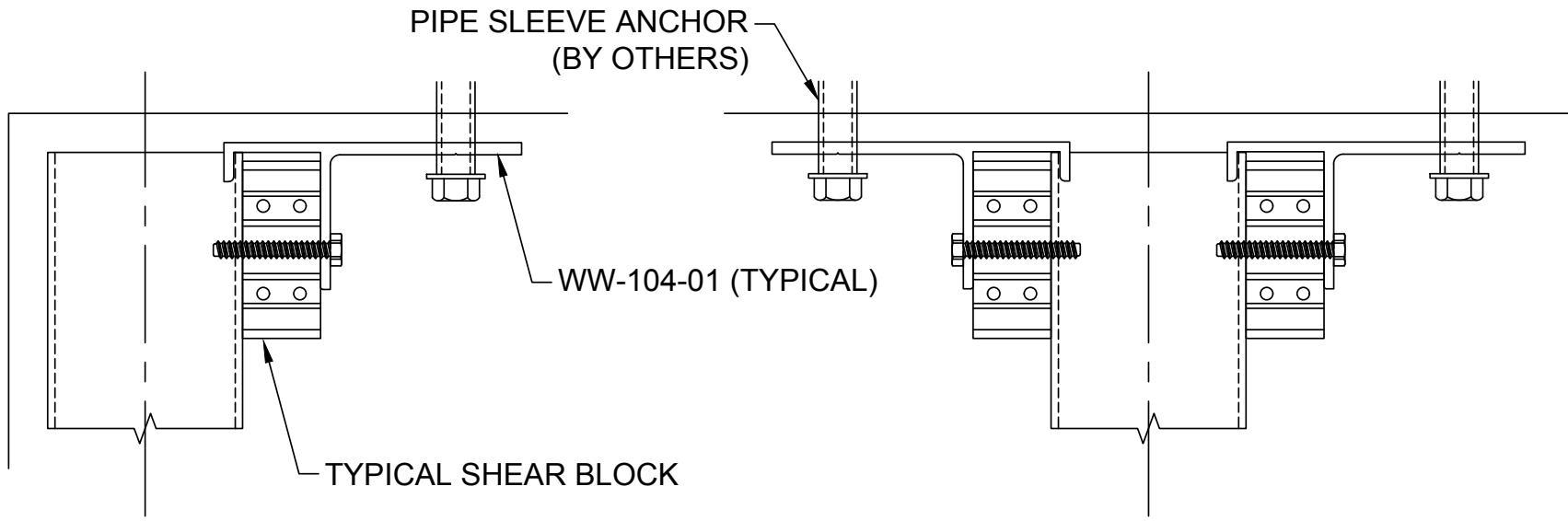


Plan View
Jamb Option



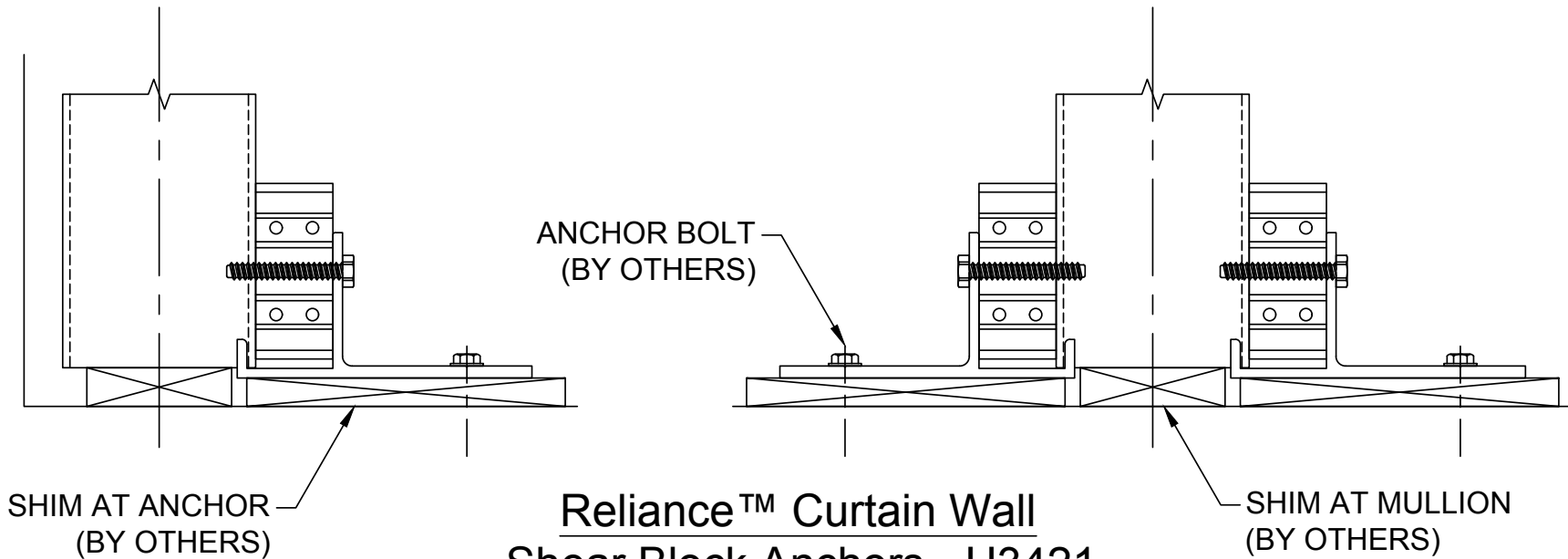
Plan View
Single Mull Corners

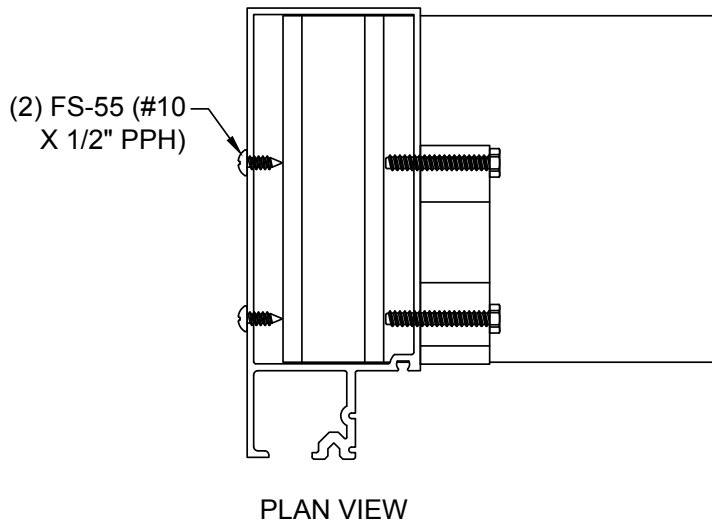
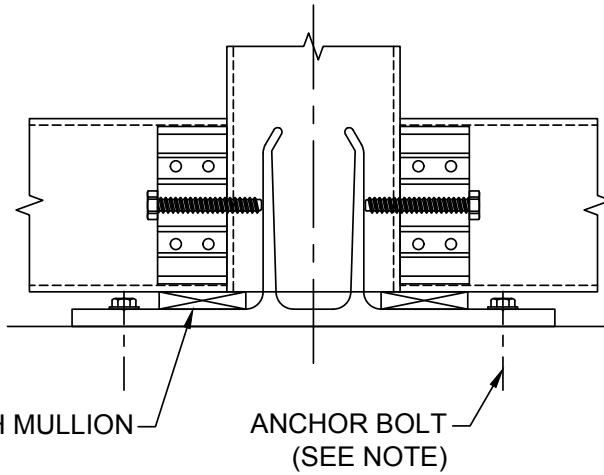
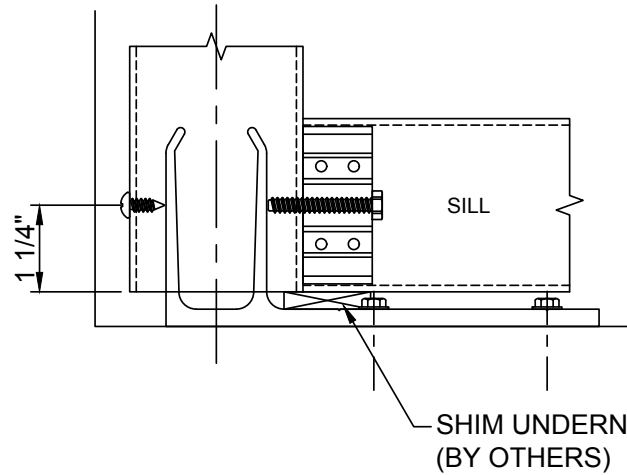
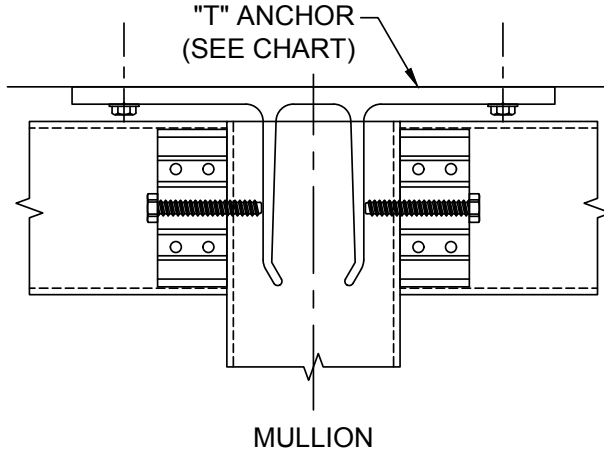
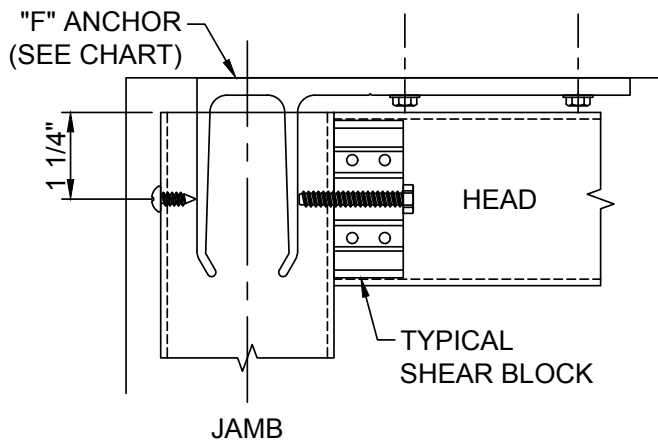
Standard Curtain Wall Steel Anchor - H0042



NOTE:

1. ANCHOR BOLT DESIGNED BY STRUCTURAL ENGINEER.
2. WWW-104-01 ALUM. ANCHOR MAXIMUM ALLOWABLE END REACTION IS 375 LBS. PER ANCHOR, I.E. 375 LBS. AT JAMB VERTICAL, 750 LBS. AT INTERMEDIATE VERTICAL.





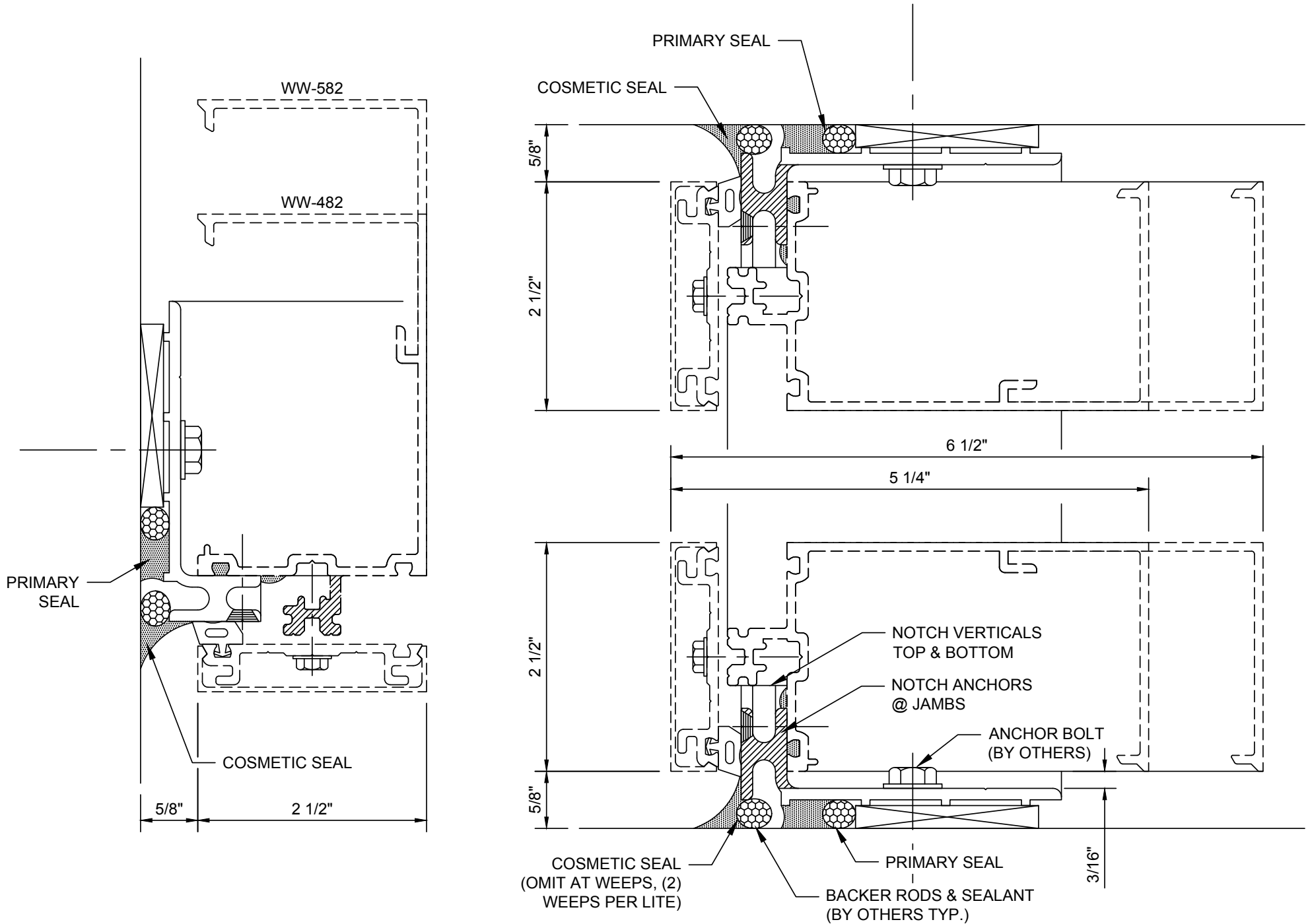
NOTE:

1. ANCHOR BOLT SIZE AND LOCATION DETERMINED BY STRUCTURAL ENGINEER

**Reliance™ Curtain Wall
"F" & "T" Anchors - H3425**

"F" ANCHOR CHART	
PART NO.	MULLION
WW-103-01	WW-500 / WW-503 / WW-550 / WW-553
WW-103-02	WW-504 / WW-510 / WW-560
WW-103-03	WW-400 / WW-403 / WW-450 / WW-453
WW-103-04	WW-404 / WW-410 / WW-460
WW-106-01	WW-800 / WW-804 / WW-850
WW-106-02	WW-810

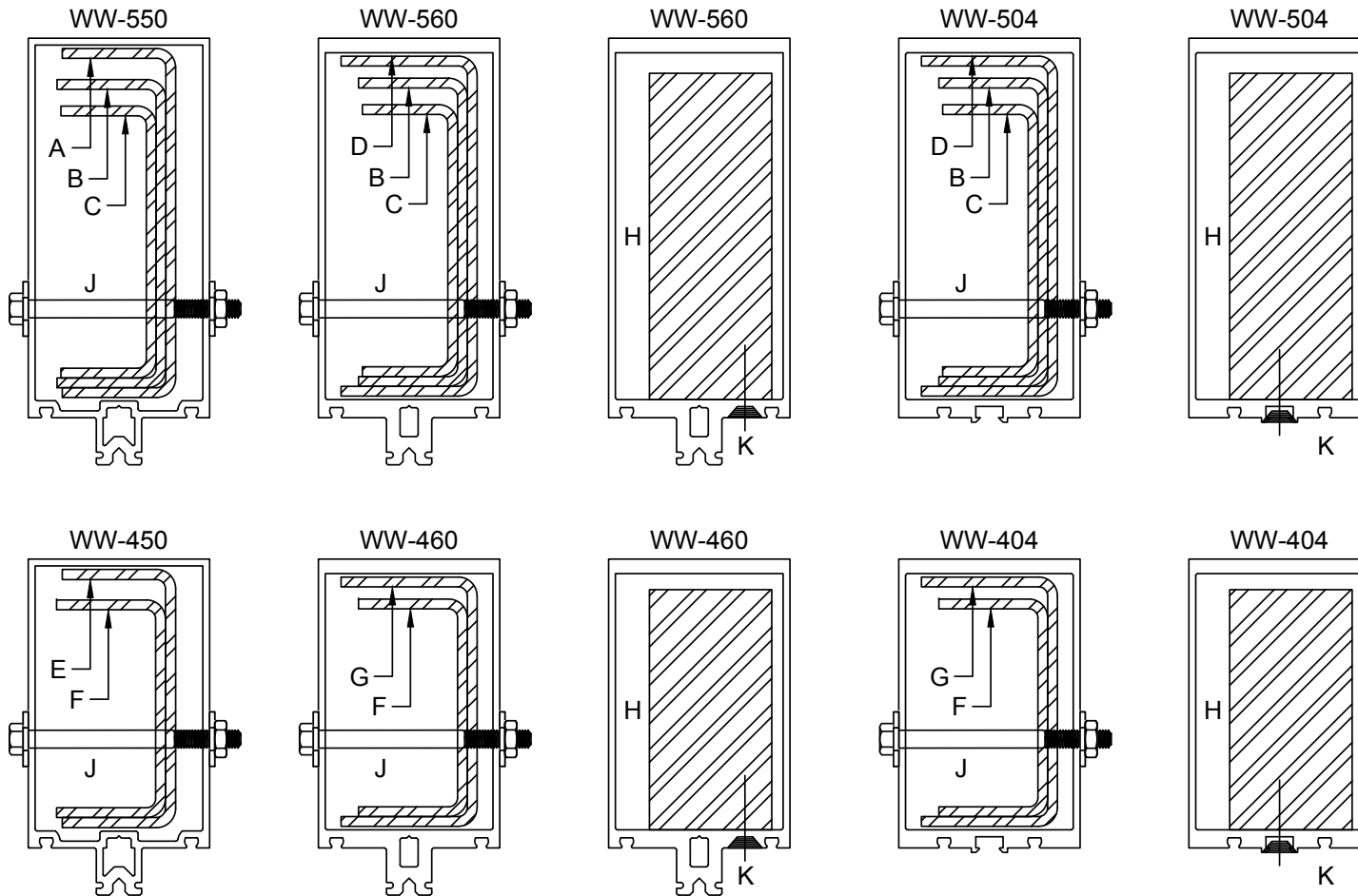
"T" ANCHOR CHART	
PART NO.	MULLION
WW-102-01	WW-500 / WW-550
WW-102-02	WW-504 / WW-510 / WW-560
WW-102-03	WW-400 / WW-450
WW-102-04	WW-404 / WW-410 / WW-460
WW-102-05	WW-240 (90° CORNER)
WW-102-06	WW-230 (135° CORNER)
WW-102-07	WW-241 (135° INSIDE SSG CORNER)
WW-105-01	WW-800 / WW-804 / WW-850
WW-105-02	WW-810
WW-105-06	WW-1175 (90° OUTSIDE CORNER)



Reliance™ Curtain Wall Perimeter Anchor - H3729

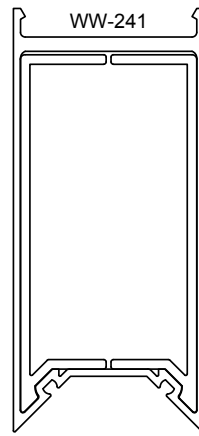
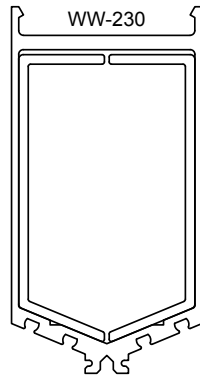
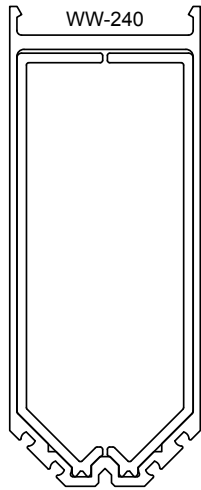
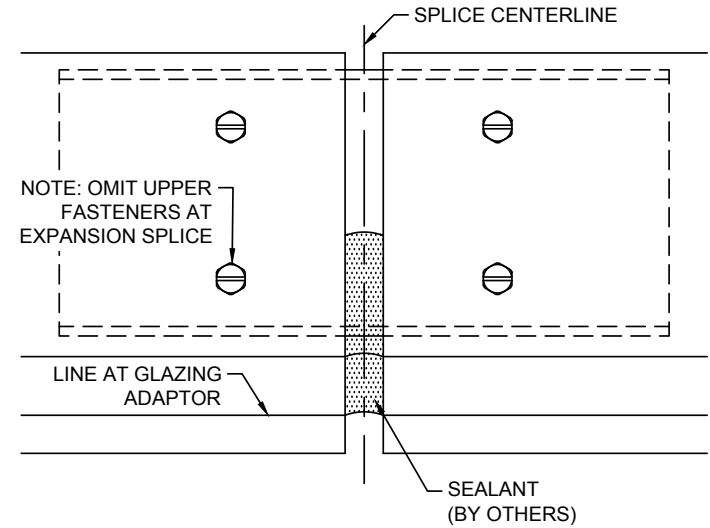
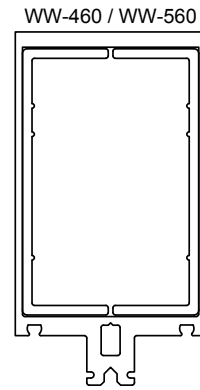
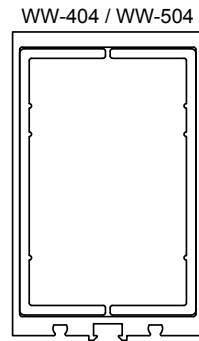
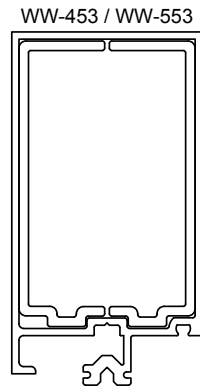
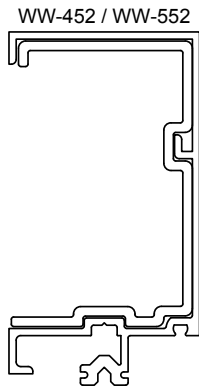
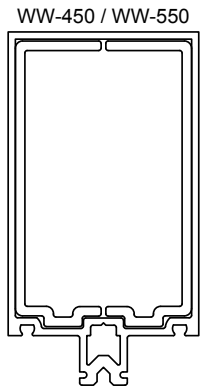
SEE APPROVED SHOP DRAWINGS FOR SPECIFIC REQUIREMENTS.

REF. INSTALLATION MANUAL FOR ADDITIONAL INFO.



STEEL REINFORCING CHART	
A	RS-19 (1 9/16" X 4 13/16" 10 GA.)
B	PP-16 (1 1/2" X 4 1/4" 10 GA.)
C	PP-17 (1 5/16" X 3 3/4" 10 GA.)
D	RS-18 (1 7/8" X 4 11/16" 10 GA.)
E	RS-22 (1 9/16" X 3 9/16" 10 GA.)
F	RS-21 (1 1/2" X 3" 10 GA.)
G	RS-23 (1 7/8" X 3 7/16" 10 GA.)
H	STEEL BAR OPTION (BY OTHERS)
J	1/4"-20 X 3" HEX HEAD BOLT 1/4"-20 HEX NUT & WASHERS
K	FS-259 (1/4"-20 X 1" PFH)

Reliance™ Curtain Wall Steel Reinforcement - H3730



5-1/4" SYSTEM DEPTH	
MULLION	SPLICE
WW-450	WW-229-01
WW-452	WW-238-01
WW-453	WW-229-01
WW-404	WW-192-01
WW-460	WW-192-01
WW-230	WW-190-01
WW-240	WW-191-01
WW-241	WW-202-01

6-1/2" SYSTEM DEPTH	
MULLION	SPLICE
WW-550	WW-235-01
WW-552	WW-239-01
WW-553	WW-235-01
WW-504	CW-74
WW-560	CW-74
WW-230	WW-190-01
WW-240	WW-191-01
WW-241	WW-202-01

REFERENCE INSTALLATION MANUAL FOR ADDITIONAL SPLICE INFO.

Reliance™ Curtain Wall Mullion Splice - H3743