

Oldcastle BuildingEnvelope®

1-866-Oldcastle (653-2278) - www.obe.com

RELIANCE™ CURTAIN WALL 2-1/2" X 10-1/8" - 1" GLAZING

Elevation

Misc. Details

H0042	Steel Anchoring
H3446	Spandrel Glazing Options
H3448	Vision Glazing Options
H3625	'F' & 'T' Mullion Anchors
H3630	Steel Reinforcement
H3643	Mullion Splicing

Horizontal Details

H3601	Head
H3604	Sill
H3605	Intermediate Horizontal
H3618	Horizontal at Operable Window - Pocket Frame
H3619	Horizontal at Operable Window - Flat Frame

Vertical Details

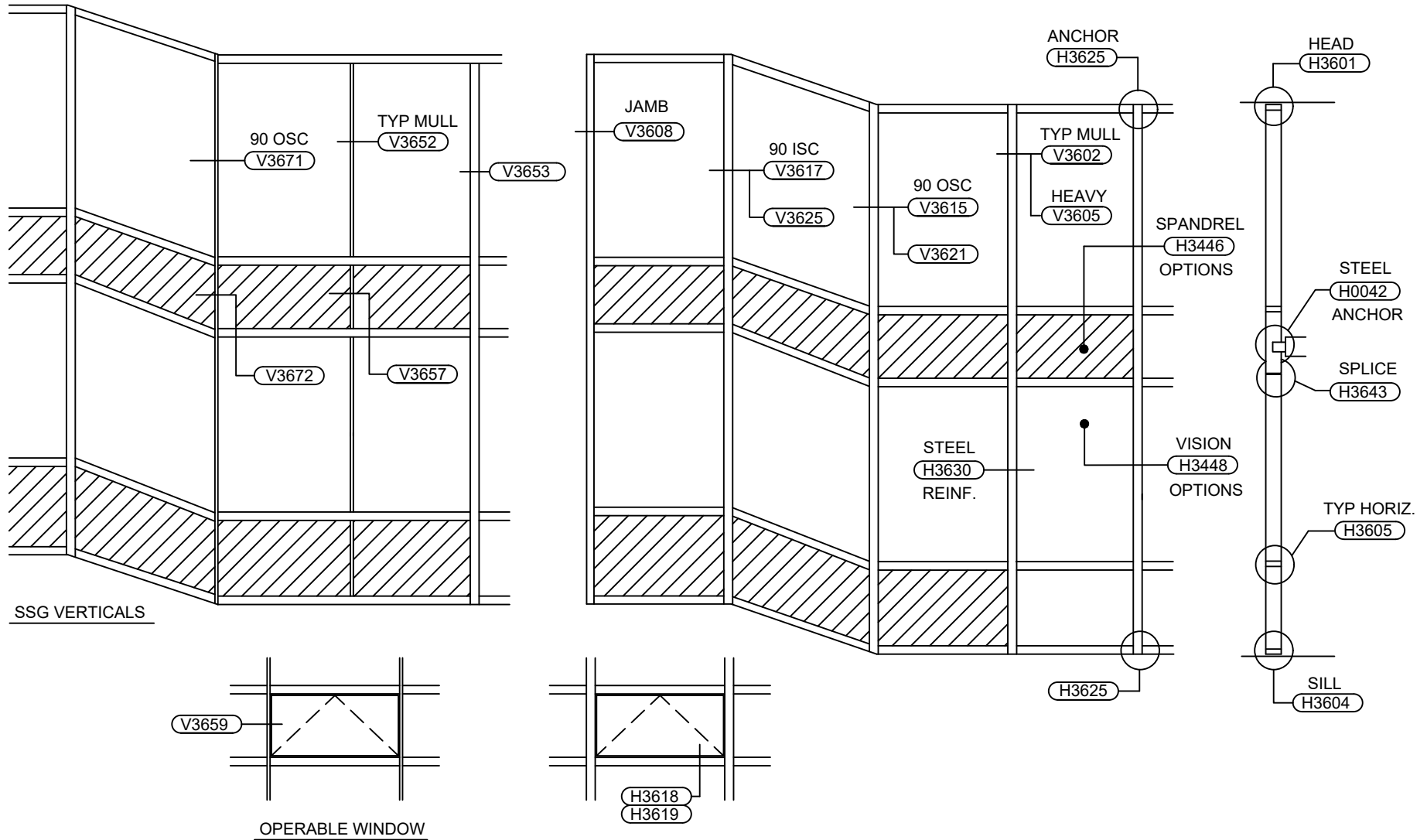
V3602	Typical Vertical
V3605	Heavy Vertical
V3608	Jamb Vertical
V3652	SSG Vertical
V3653	SSG Vertical at Transition to Captured
V3657	SSG Vertical at Spandrel
V3659	SSG Vertical at Operable Window

Corner Details

V3615	90° Outside Corner - 2 Mullion
V3617	90° Inside Corner - 2 Mullion
V3621	90° Outside Corner
V3625	90° Inside Corner
V3671	90° SSG Outside Corner
V3672	90° Outside Corner at Spandrel

Table of Contents

Note: For Door Models visit : <http://www.obe.com/products/entrances/swing-entrances/standard-ns-212ms-375ws-500-door-and-frame>

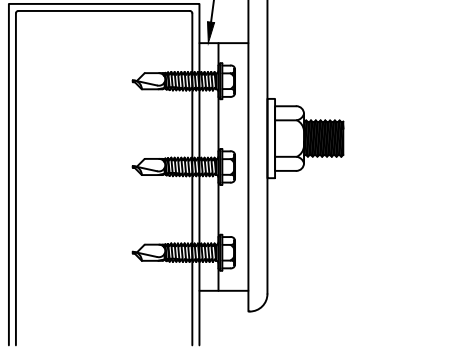


Reliance™ Curtain Wall
2-1/2" x 10-1/8" w/ 1" Glazing - Elevation

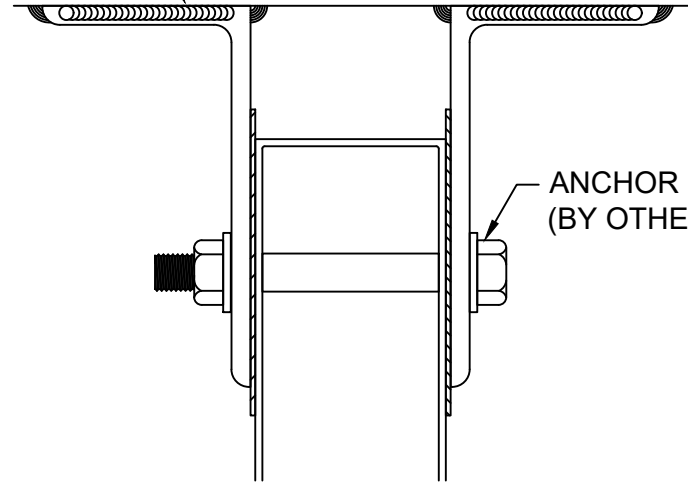
WELD AS REQUIRED BY INSTALLER

FLOOR SLAB OR BEAM

WW-2223 JAMB ANCHOR PLATE
ATTACH W/ (6) FS-336 (1/4"-20 X
1-1/8" HWH DRILL FLEX)

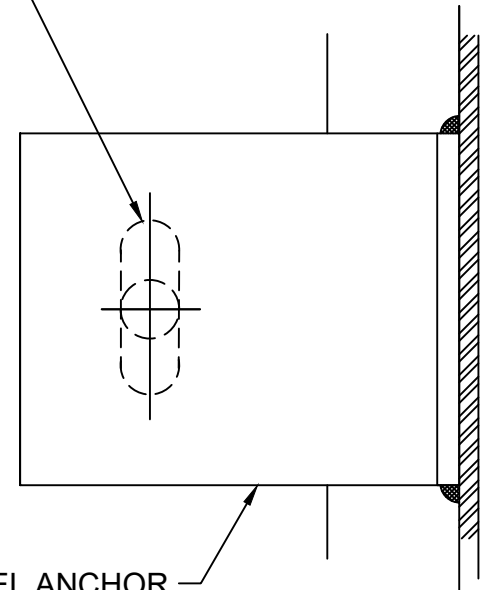


Plan View
Jamb Option



Plan View
Intermediate Mullion

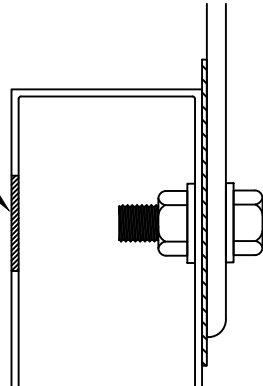
HOLE IN ANCHOR @ DEAD LOAD
SLOT IN ANCHOR @ WIND LOAD



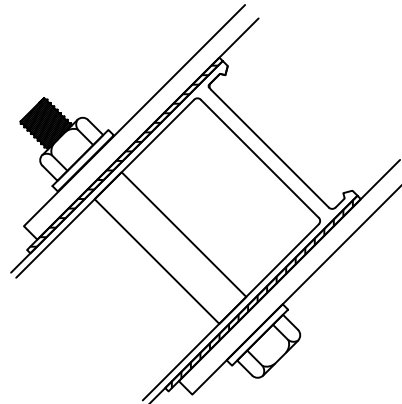
Side View

STEEL ANCHOR
DESIGN DETERMINED
BY ENGINEER. SEE
APPROVED SHOP
DRAWINGS.

ACCESS HOLE

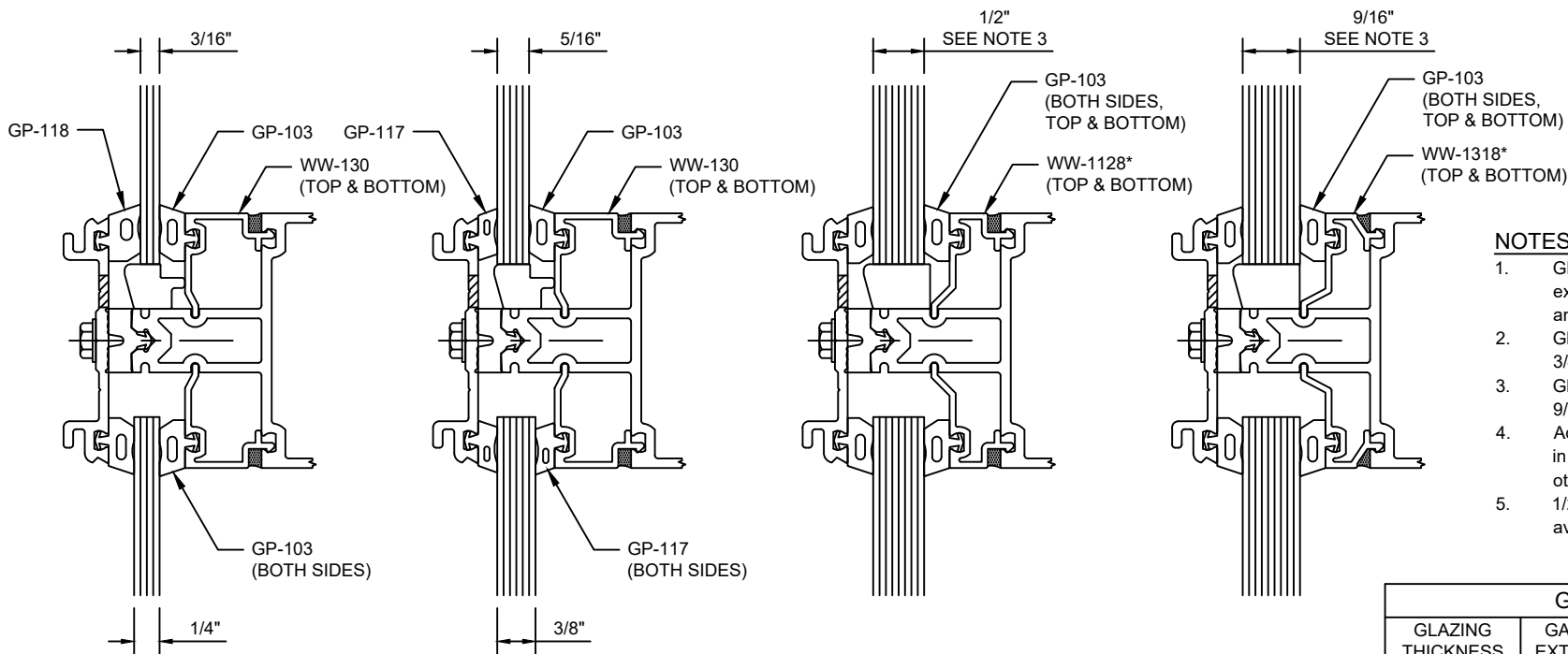


Plan View
Jamb Option



Plan View
Single Mull Corners

Standard Curtain Wall Steel Anchor - H0042



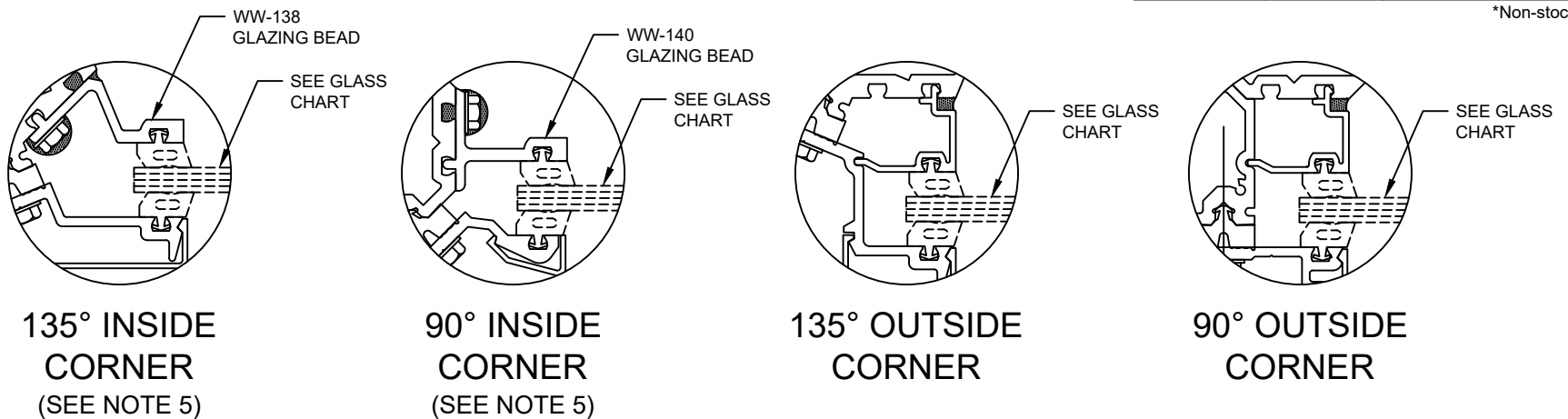
NOTES:

1. GP-110 setting block typical, except for GP-126 at 1/2" and 9/16" glazing.
2. Glass pocket with adaptor = 3/4" unless noted otherwise.
3. Glass pocket 1" at 1/2" and 9/16" glazing.
4. Adaptors/glazing beads set in sealant (sealant by others).
5. 1/2" and 9/16" glazing not available at inside corners.

NOTE: 135° SINGLE CORNER OPTIONS UNAVAILABLE ON 10" SYSTEM

GLASS CHART			
GLAZING THICKNESS	GASKET EXTERIOR	GASKET INTERIOR	GLAZING ADAPTOR
3/16" (.1875)	GP-118	GP-103	WW-130
1/4" (.250)	GP-103	GP-103	WW-130
5/16" (.3125)	GP-117	GP-103	WW-130
3/8" (.375)	GP-117	GP-117	WW-130
1/2" (.500)	GP-103	GP-103	*WW-1128
9/16" (.5625)	GP-103	GP-103	*WW-1318

*Non-stock item



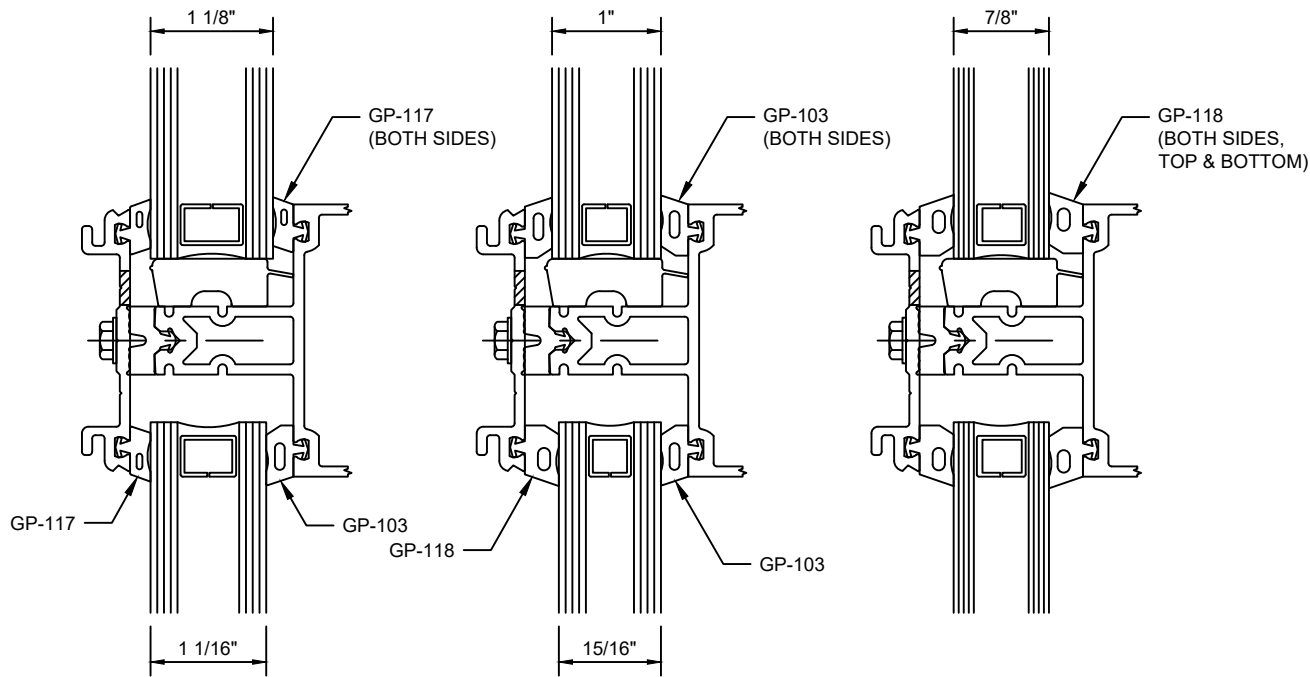
135° INSIDE CORNER
(SEE NOTE 5)

90° INSIDE CORNER
(SEE NOTE 5)

135° OUTSIDE CORNER

90° OUTSIDE CORNER

Reliance™ Curtain Wall Glazing Adaptors & Spandrel Options - H3446

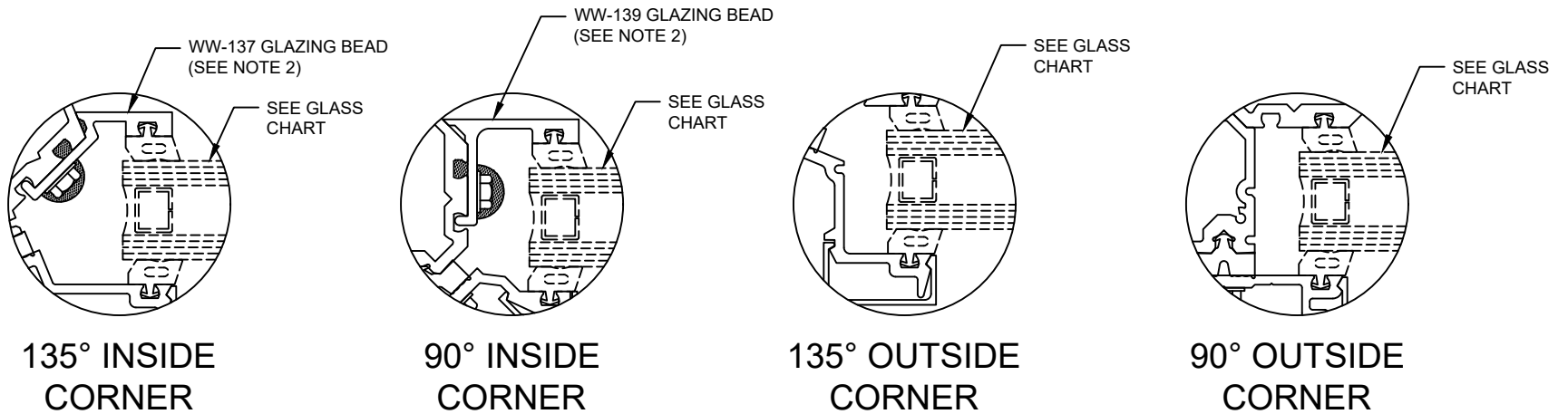


GLASS CHART		
GLAZING THICKNESS	GASKET EXTERIOR	GASKET INTERIOR
7/8" (0.875)	GP-118	GP-118
15/16" (0.9375)	GP-118	GP-103
1"	GP-103	GP-103
1-1/16" (1.0625)	GP-117	GP-103
1-1/8" (1.125)	GP-117	GP-117

NOTE: 135° SINGLE MULL CORNER OPTIONS UNAVAILABLE ON 10" SYSTEM

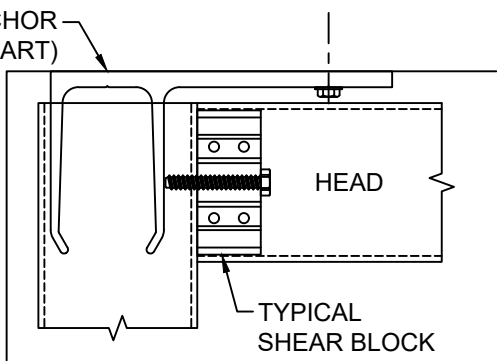
NOTES:

1. Glass Pocket = 1-1/2" (Typical)
2. Glazing beads set in sealant (sealant by others)

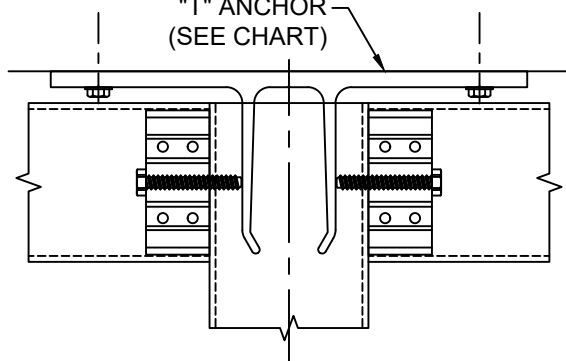


**Reliance™ Curtain Wall
Vision Glass Options - H3448**

"F" ANCHOR
(SEE CHART)



"T" ANCHOR
(SEE CHART)

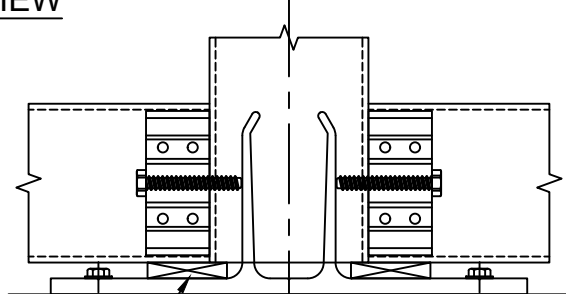
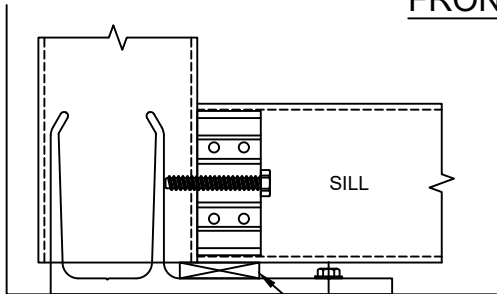


"F" ANCHOR CHART	
PART NO.	MULLION
WW-106-01	WW-800 / WW-804 / WW-850
WW-106-02	WW-810

JAMB

FRONT VIEW

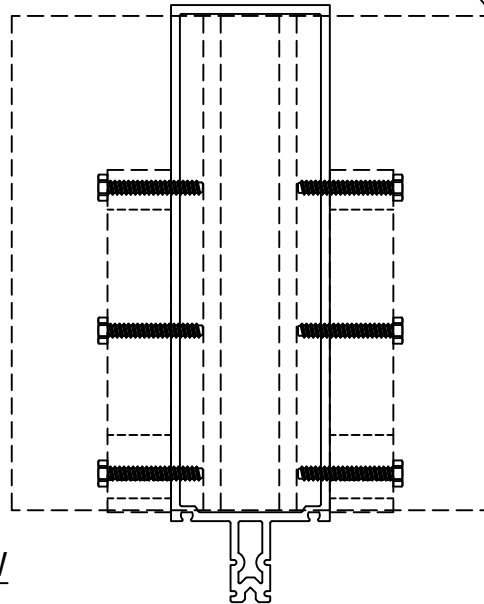
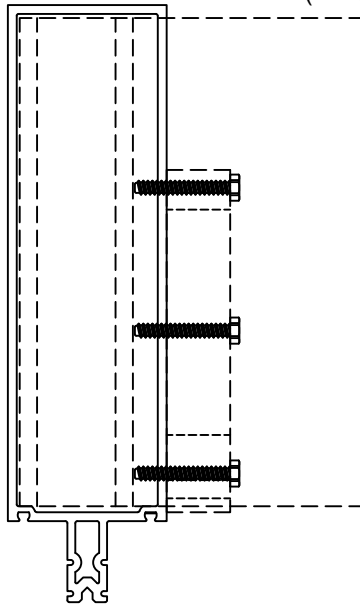
MULLION



SHIM UNDERNEATH MULLION
(BY OTHERS)

ANCHOR BOLT
(SEE NOTE)

"T" ANCHOR CHART	
PART NO.	MULLION
WW-105-01	WW-800 / WW-804 / WW-850
WW-105-02	WW-810
WW-105-06	WW-1175 (90° OUTSIDE CORNER)



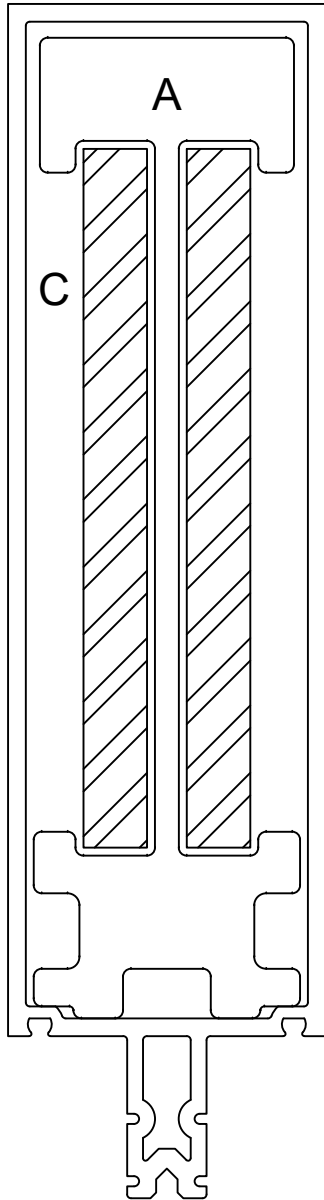
PLAN VIEW

NOTE:

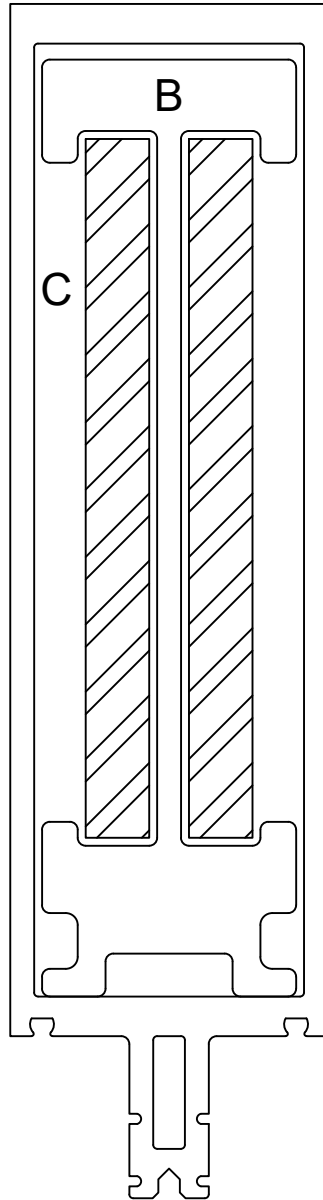
1. ANCHOR BOLT SIZE, QUANTITY AND LOCATION DETERMINED BY STRUCTURAL ENGINEER

**Reliance™ Curtain Wall
"F" & "T" Anchors - H3625**

WW-810 MULLION



WW-800 / WW-804 MULLION

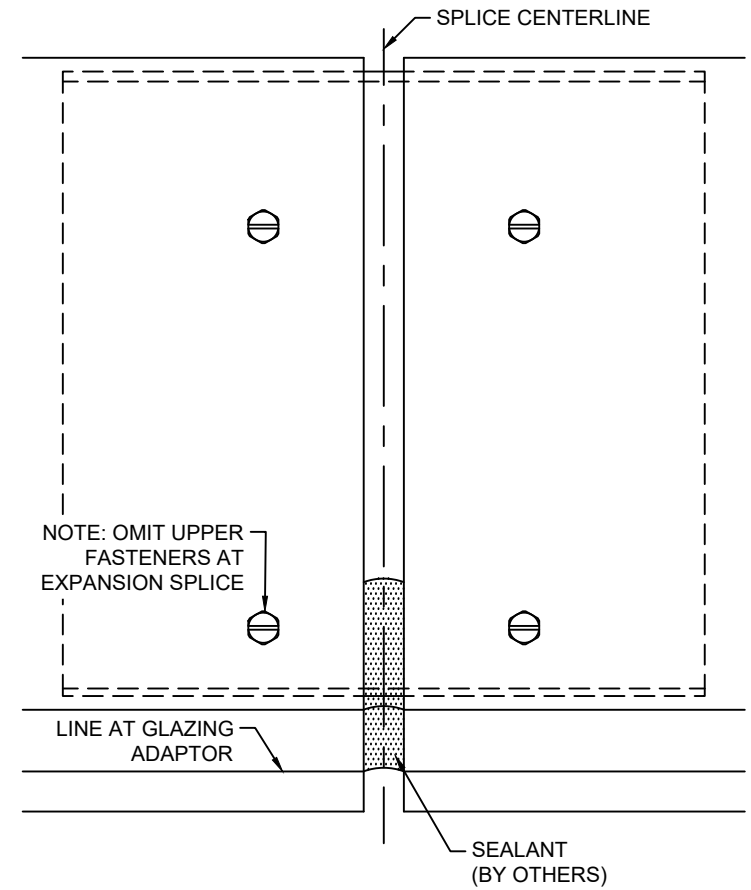
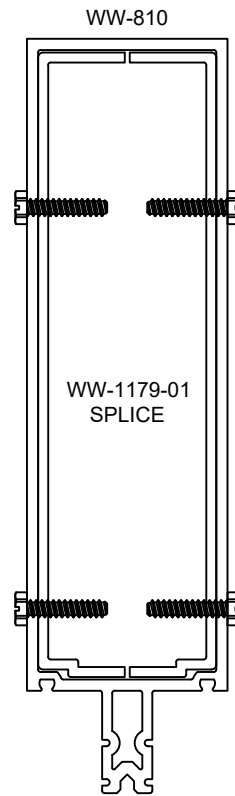
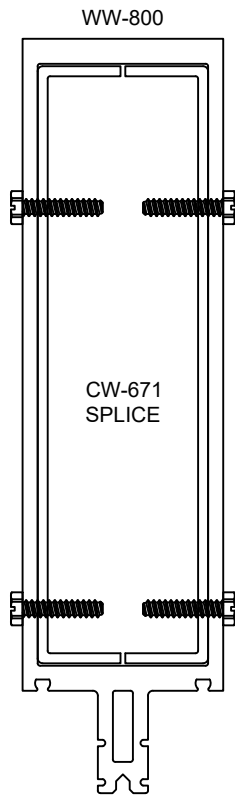
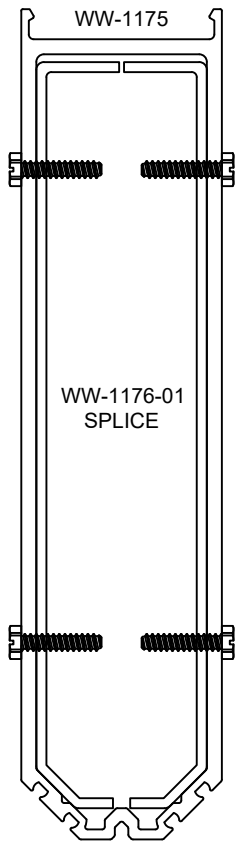


STEEL REINFORCING CHART	
A	WW-209 ALUM. REINFORCING
B	WW-201 ALUM. REINFORCING
C	RS-20 (5-1/2" X 1/2" X 10' LG. STEEL BAR

SEE APPROVED SHOP DRAWINGS FOR SPECIFIC REQUIREMENTS.

REF. INSTALLATION MANUAL FOR ADDITIONAL INFO.

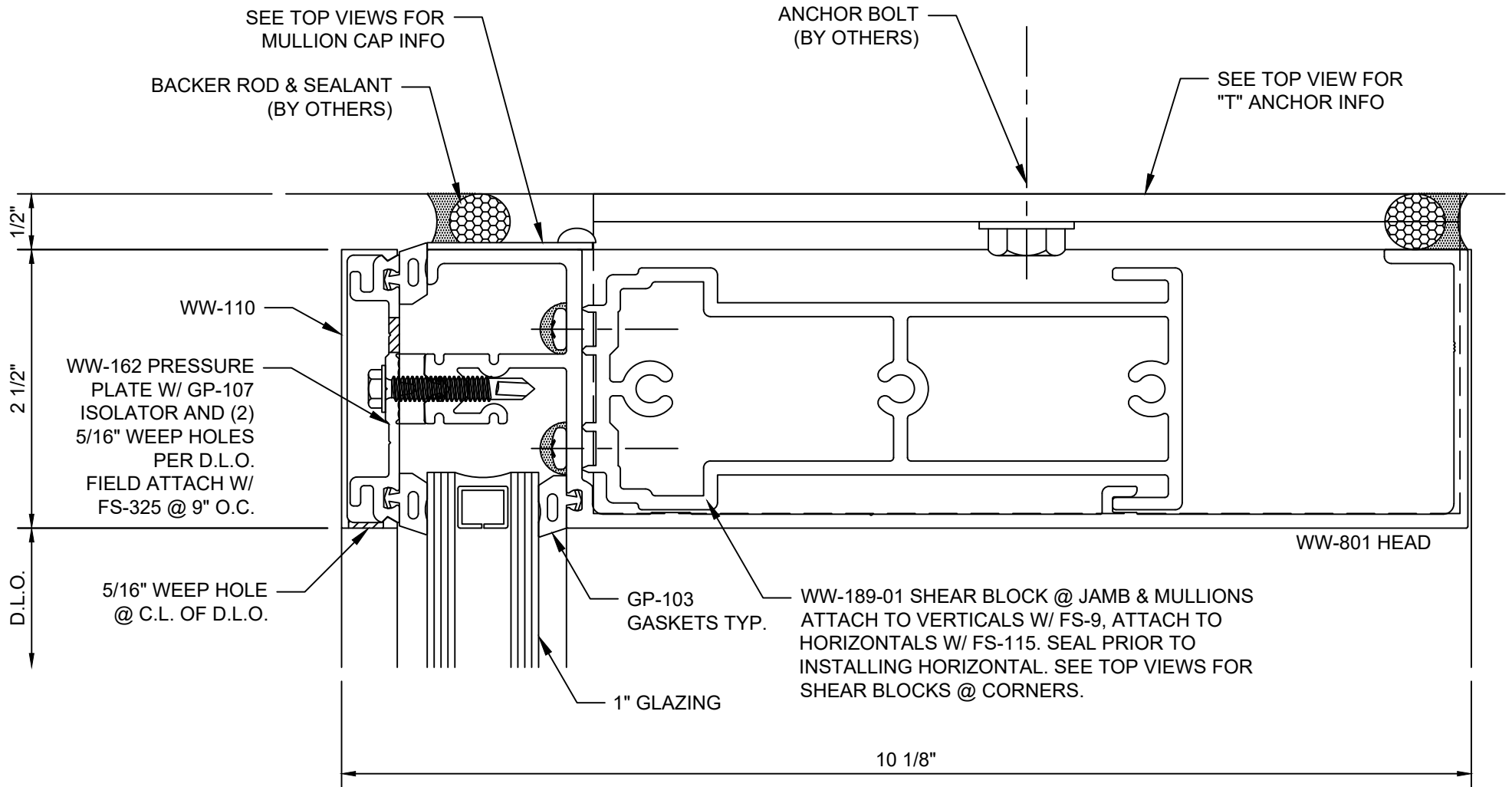
Reliance™ Curtain Wall
Steel Reinforcement - H3630



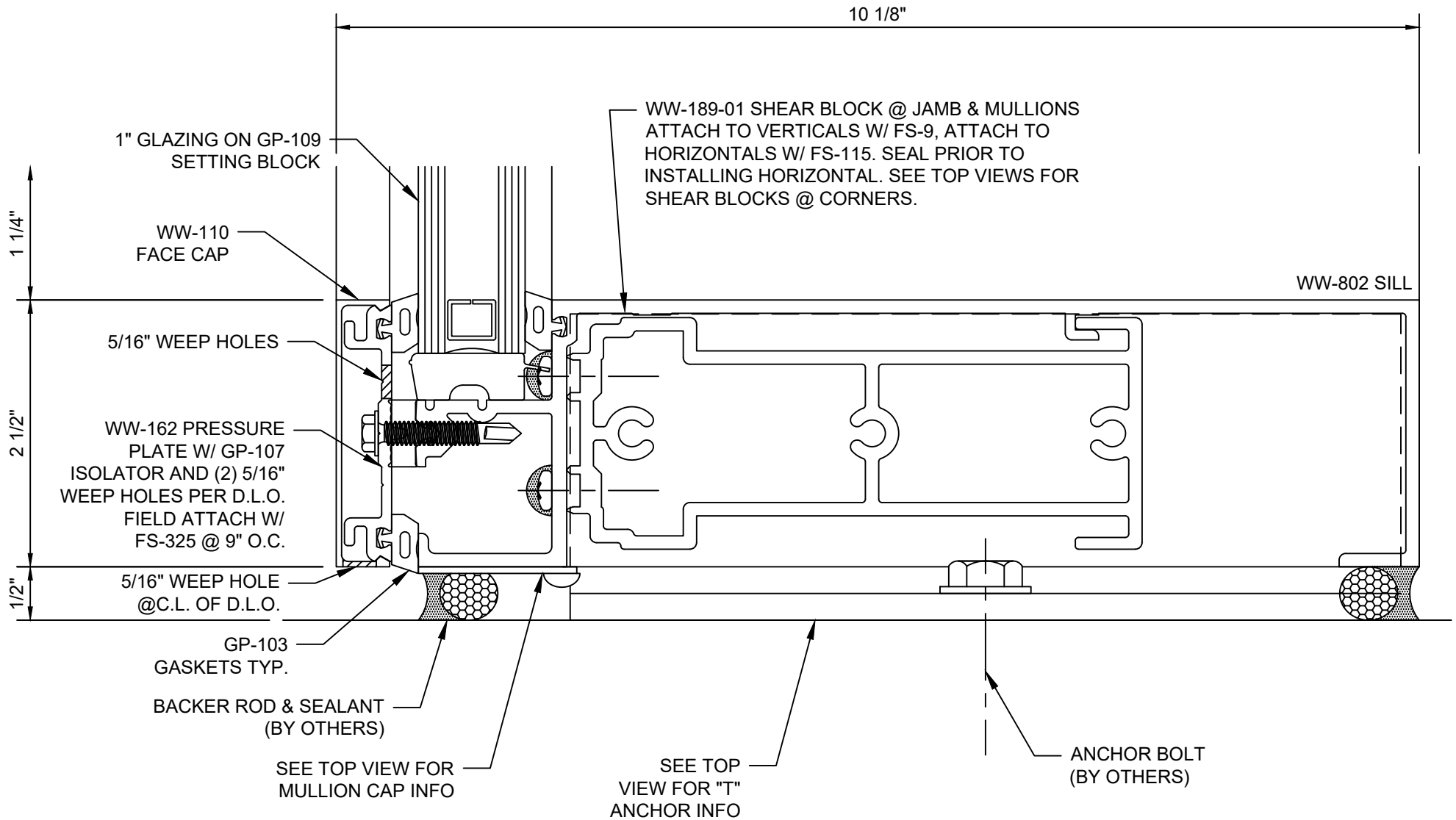
10-1/8" SYSTEM DEPTH	
MULLION	SPLICE
WW-800	CW-671
WW-810	WW-1179-01
WW-1175	WW-1176-01

REFERENCE INSTALLATION MANUAL FOR ADDITIONAL SPLICE INFO.

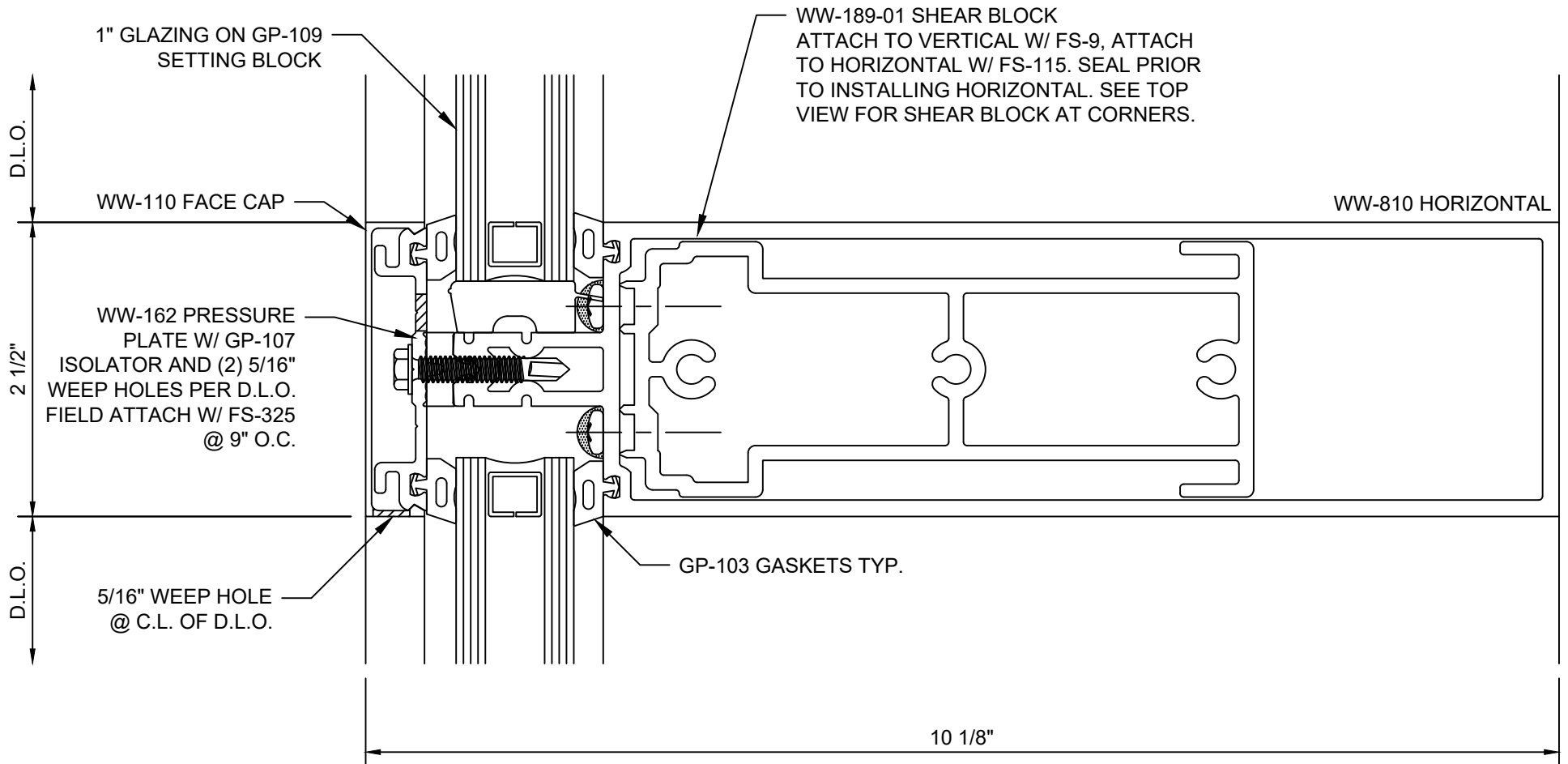
Reliance™ Curtain Wall Mullion Splice - H3643



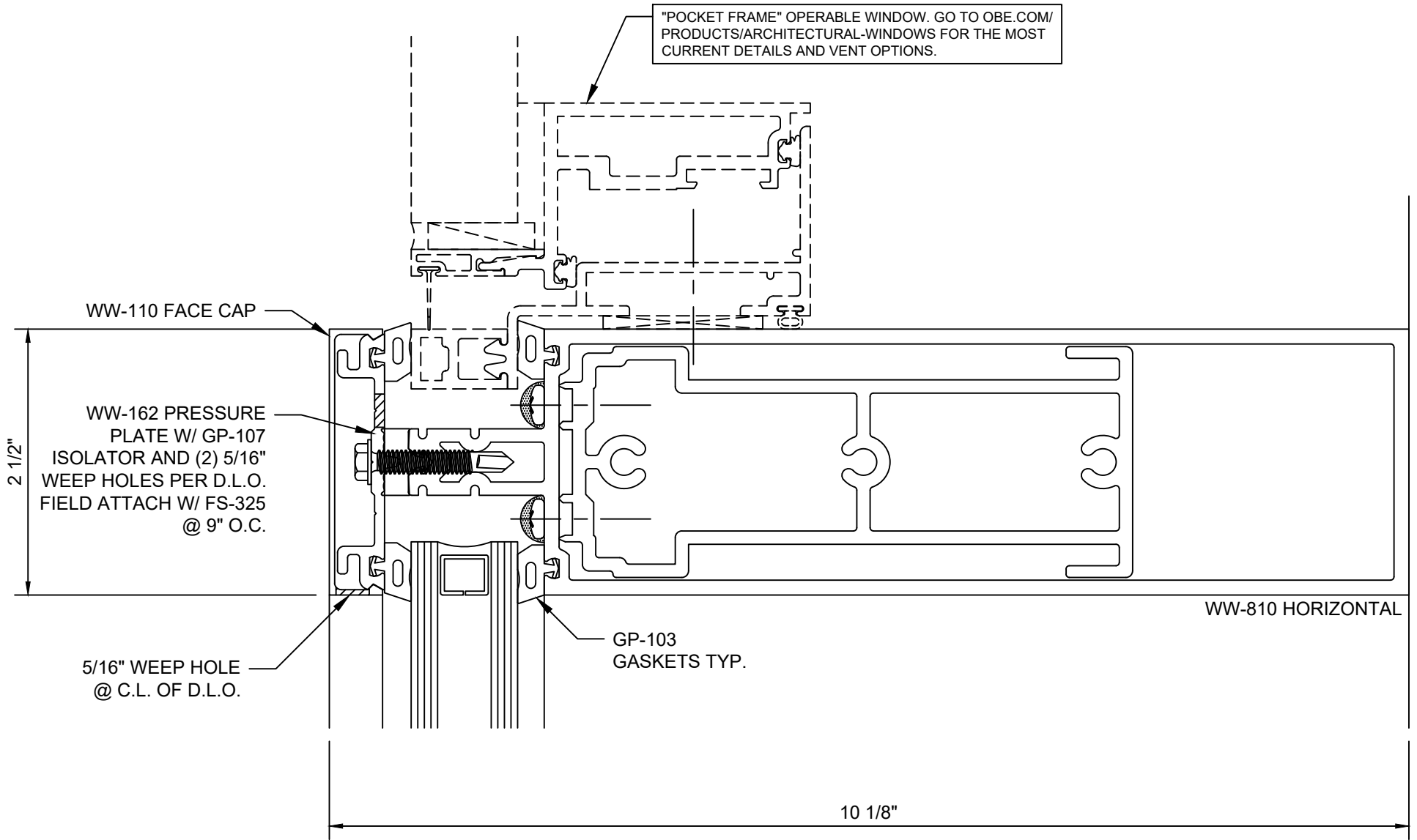
Reliance™ Curtain Wall Head at Vision - H3601



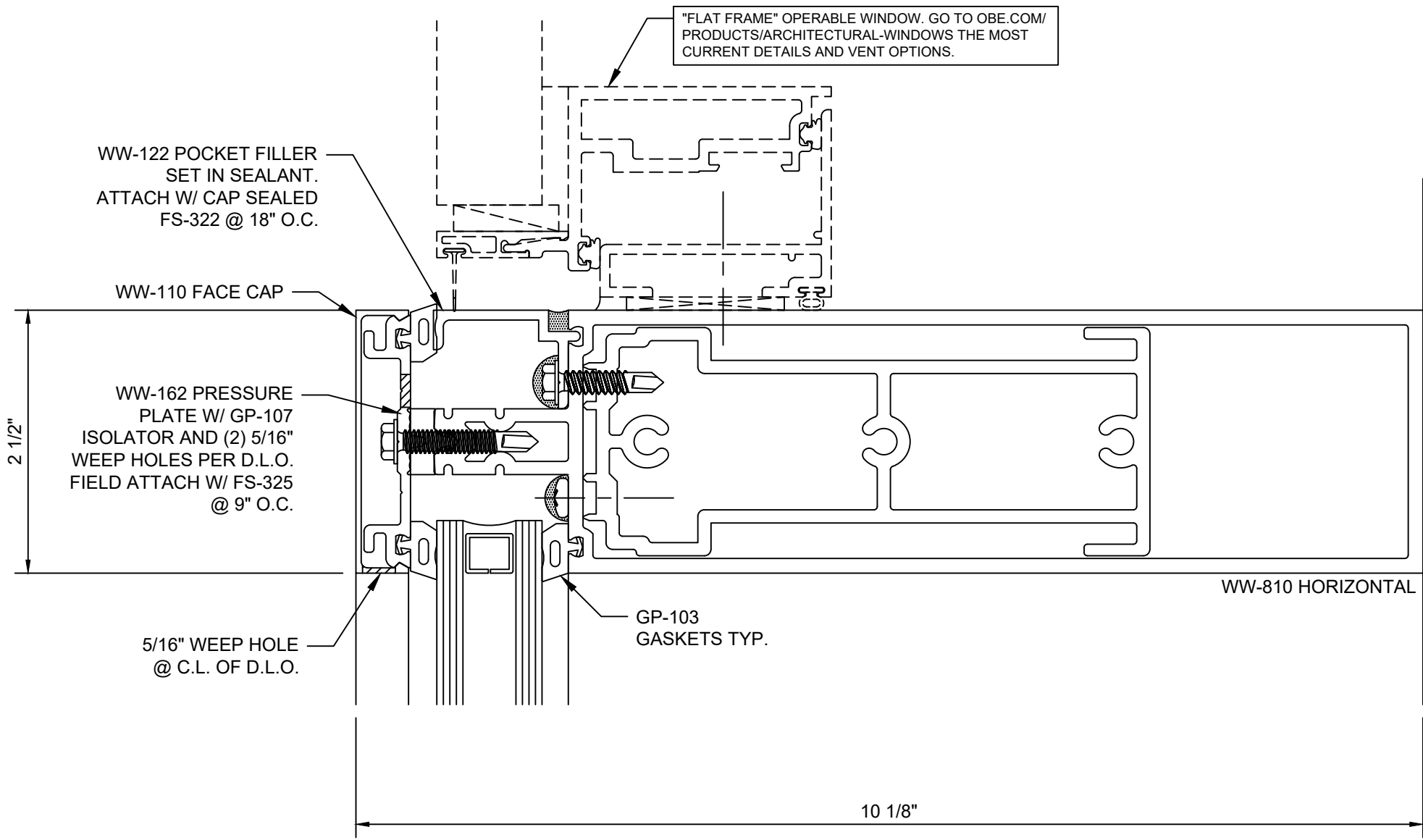
Reliance™ Curtain Wall Sill at Vision - H3604



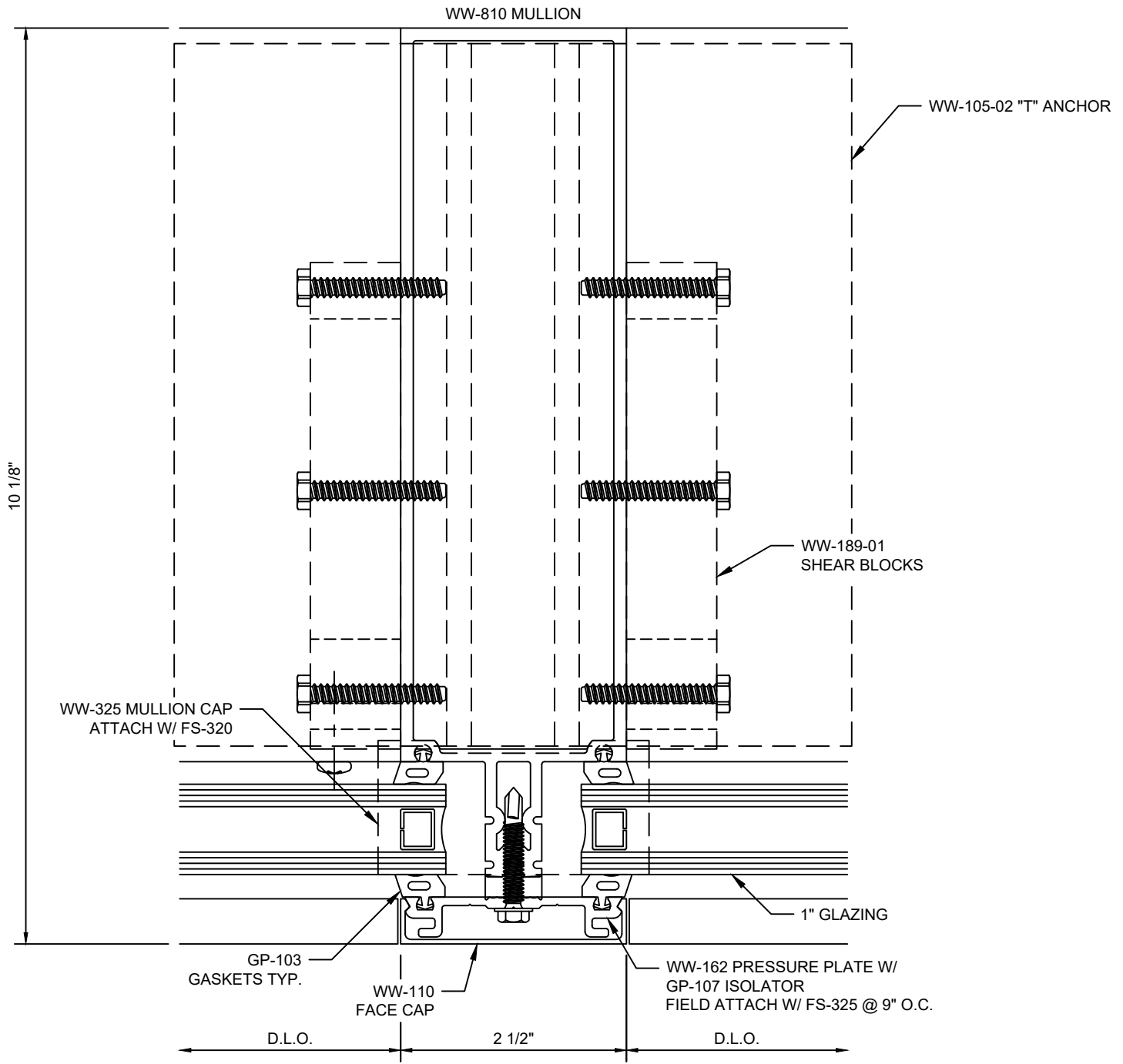
Reliance™ Curtain Wall
Intermediate Horizontal at Vision - H3605



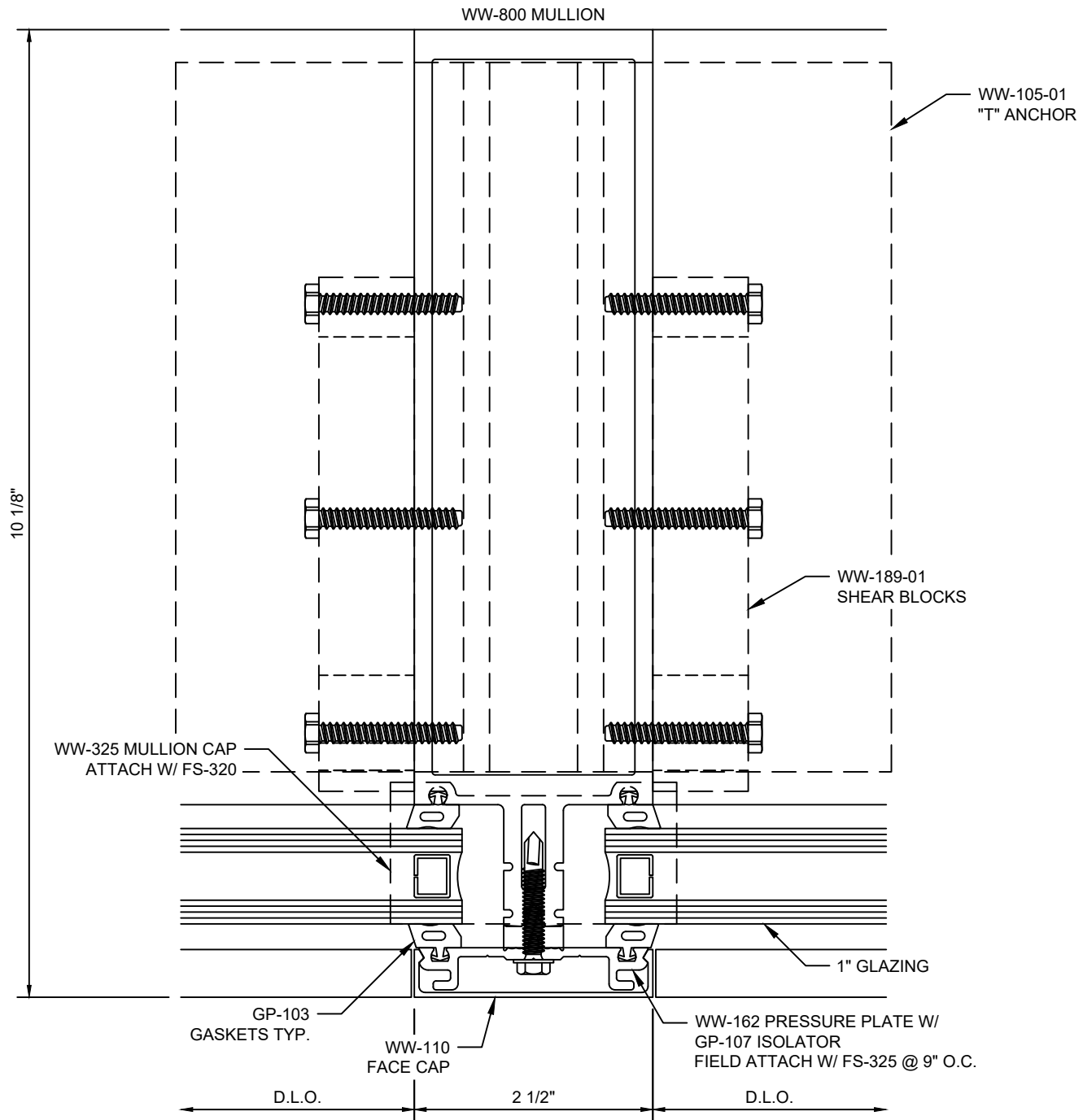
Reliance™ Curtain Wall Horizontal at Operable Window - H3618



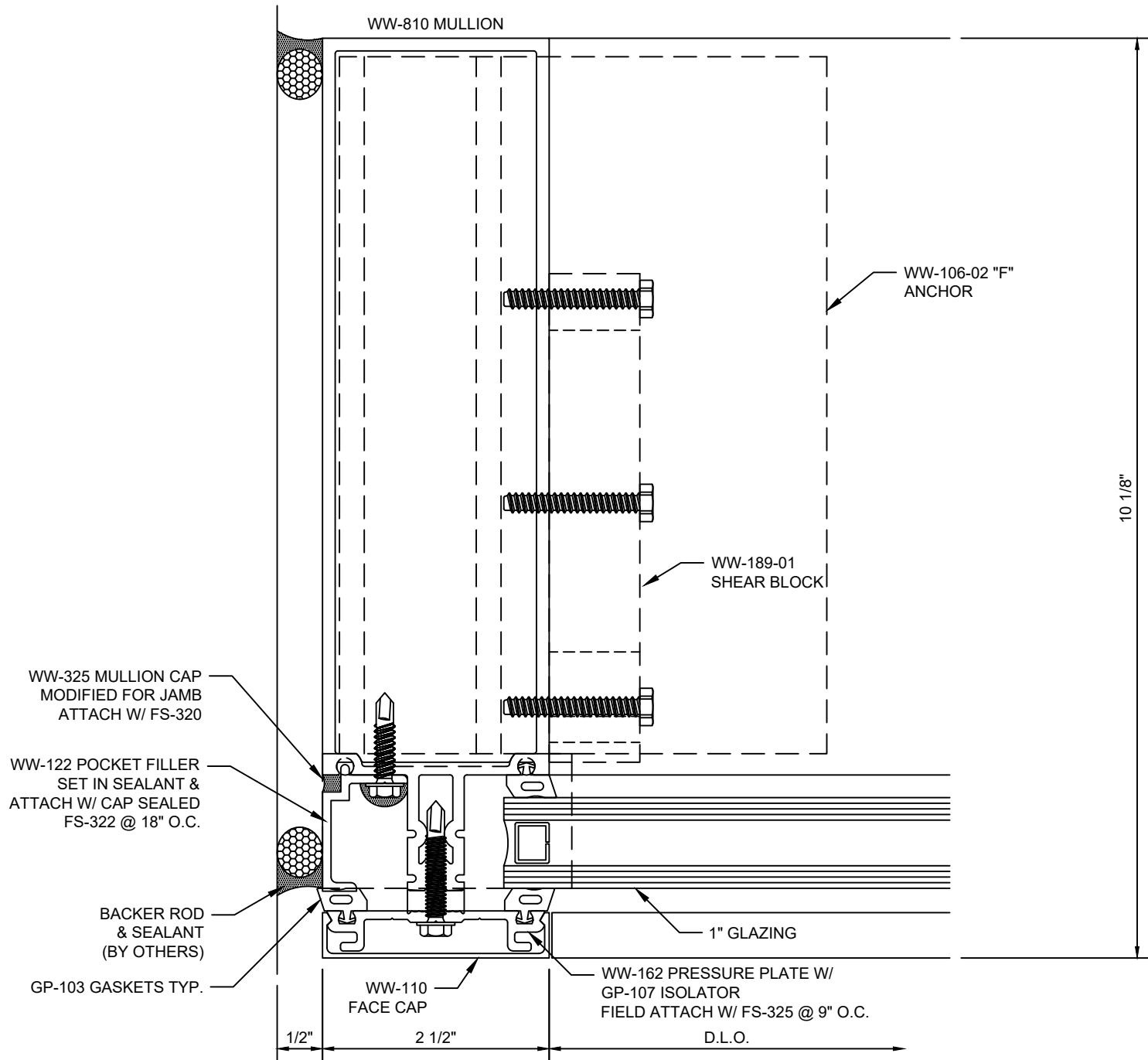
Reliance™ Curtain Wall
Horizontal at Operable Window - H3619



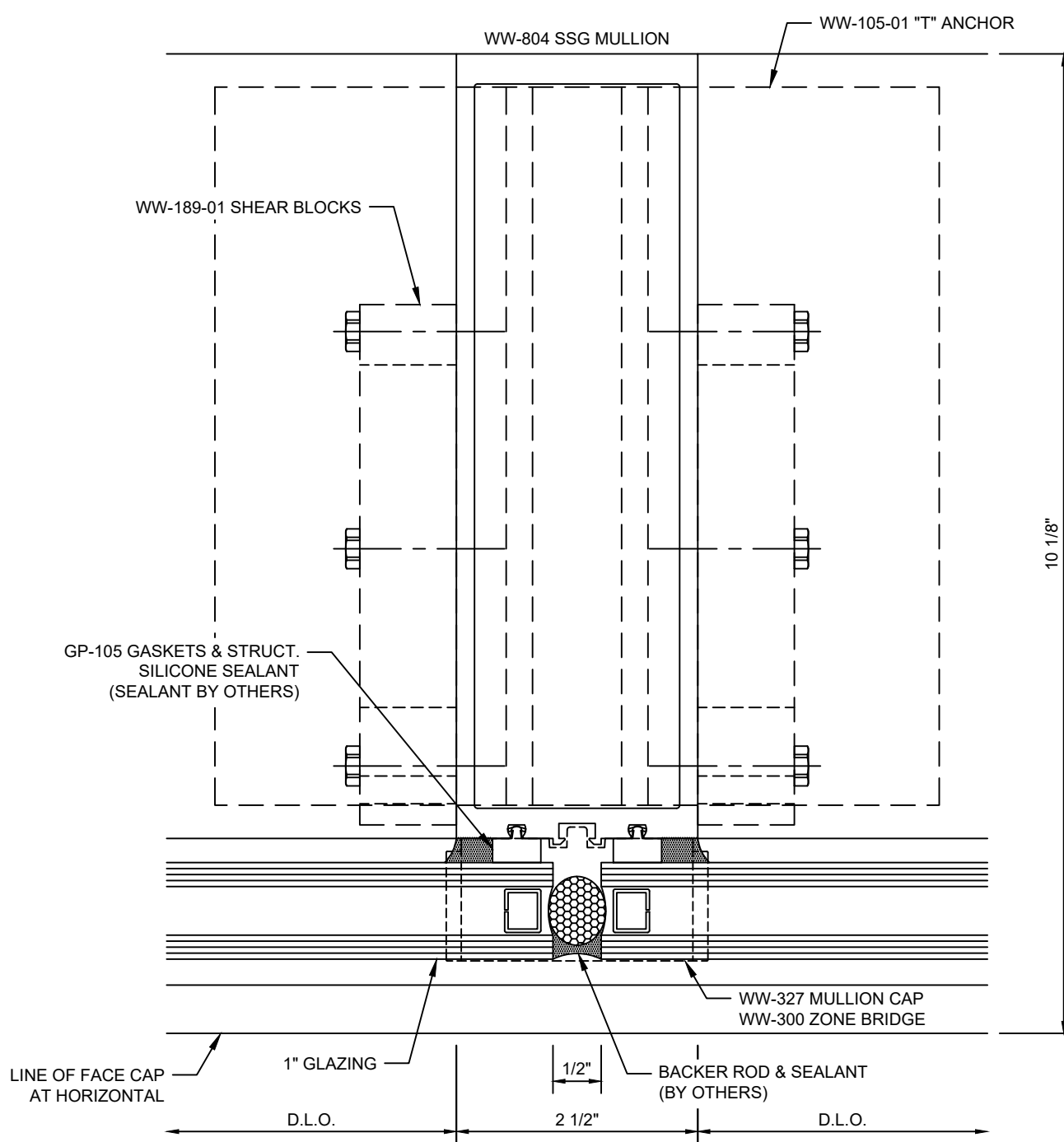
Reliance™ Curtain Wall Typical Vertical Mullion - V3602



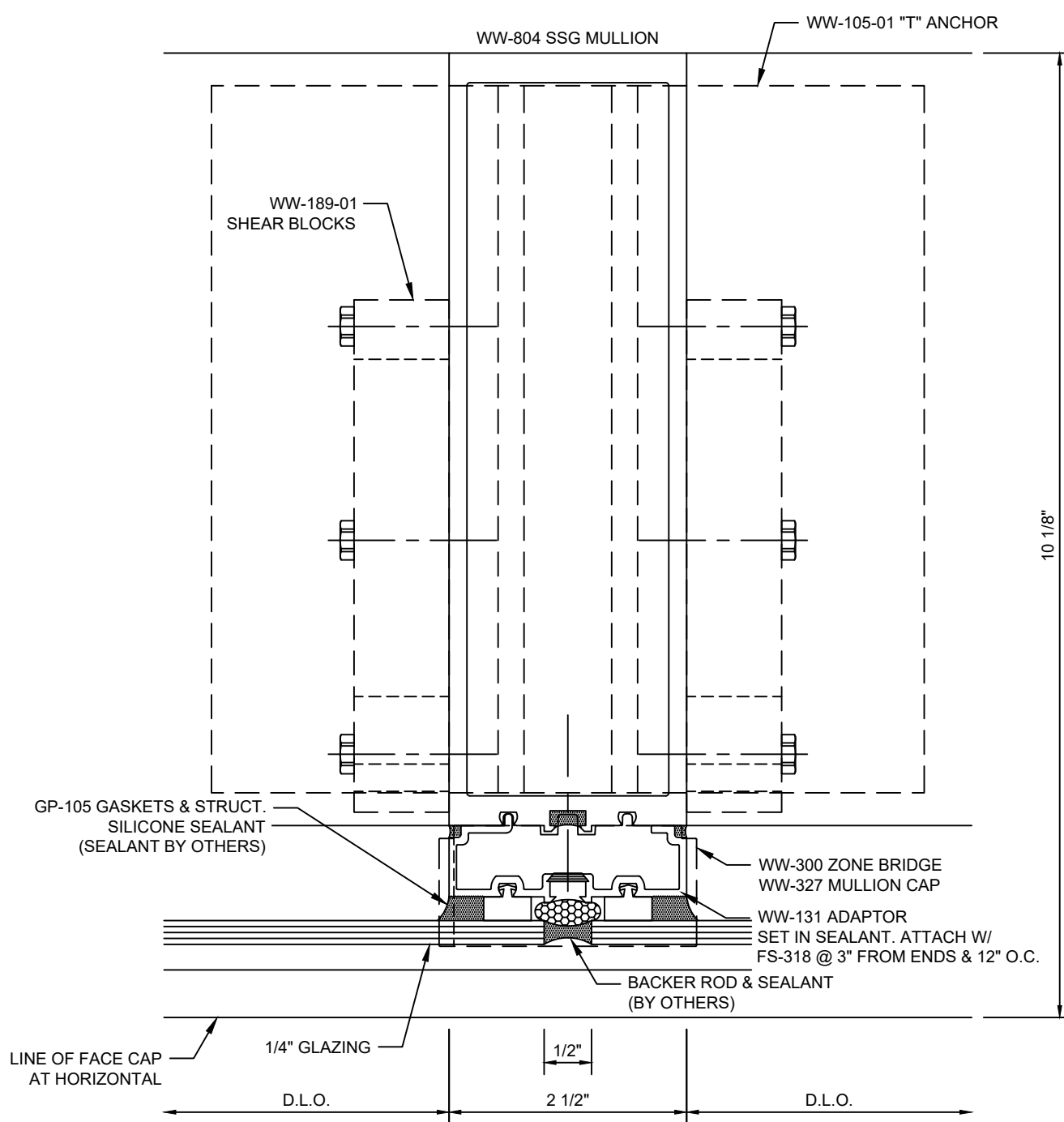
Reliance™ Curtain Wall Heavy Vertical Mullion - V3605



Reliance™ Curtain Wall Jamb Vertical - V3608

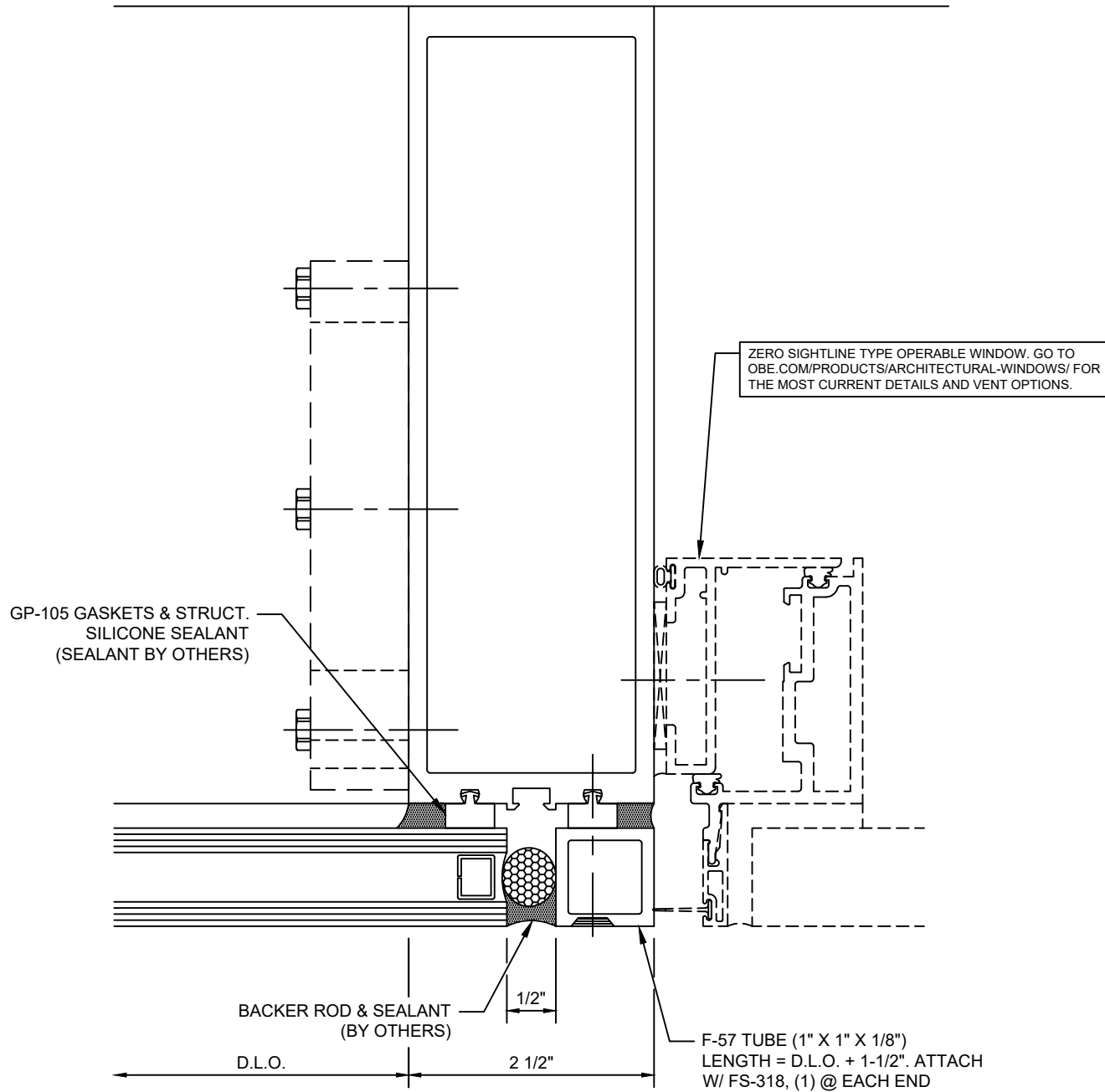


Reliance™ Curtain Wall SSG Vertical Mullion - V3652

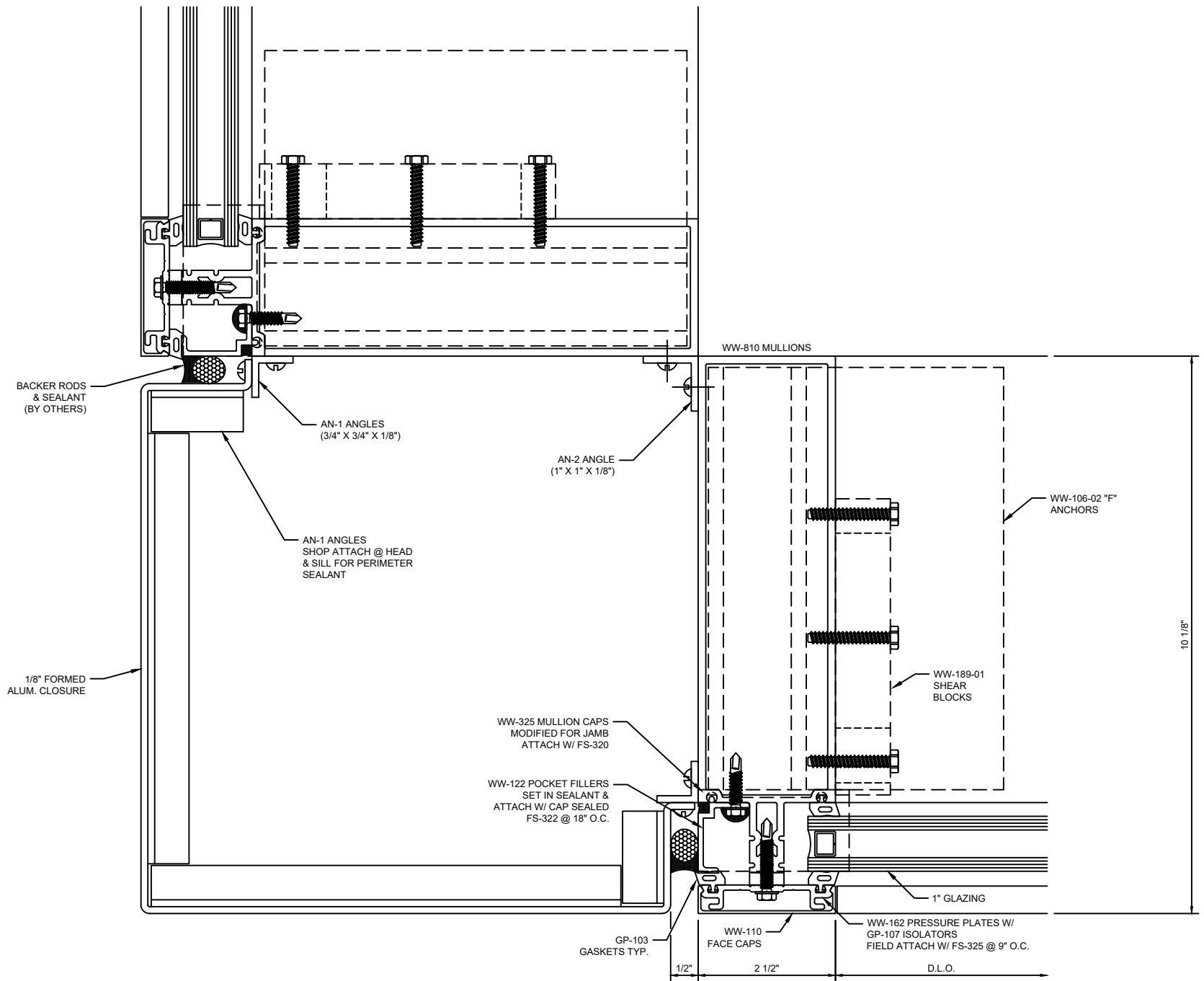


Reliance™ Curtain Wall

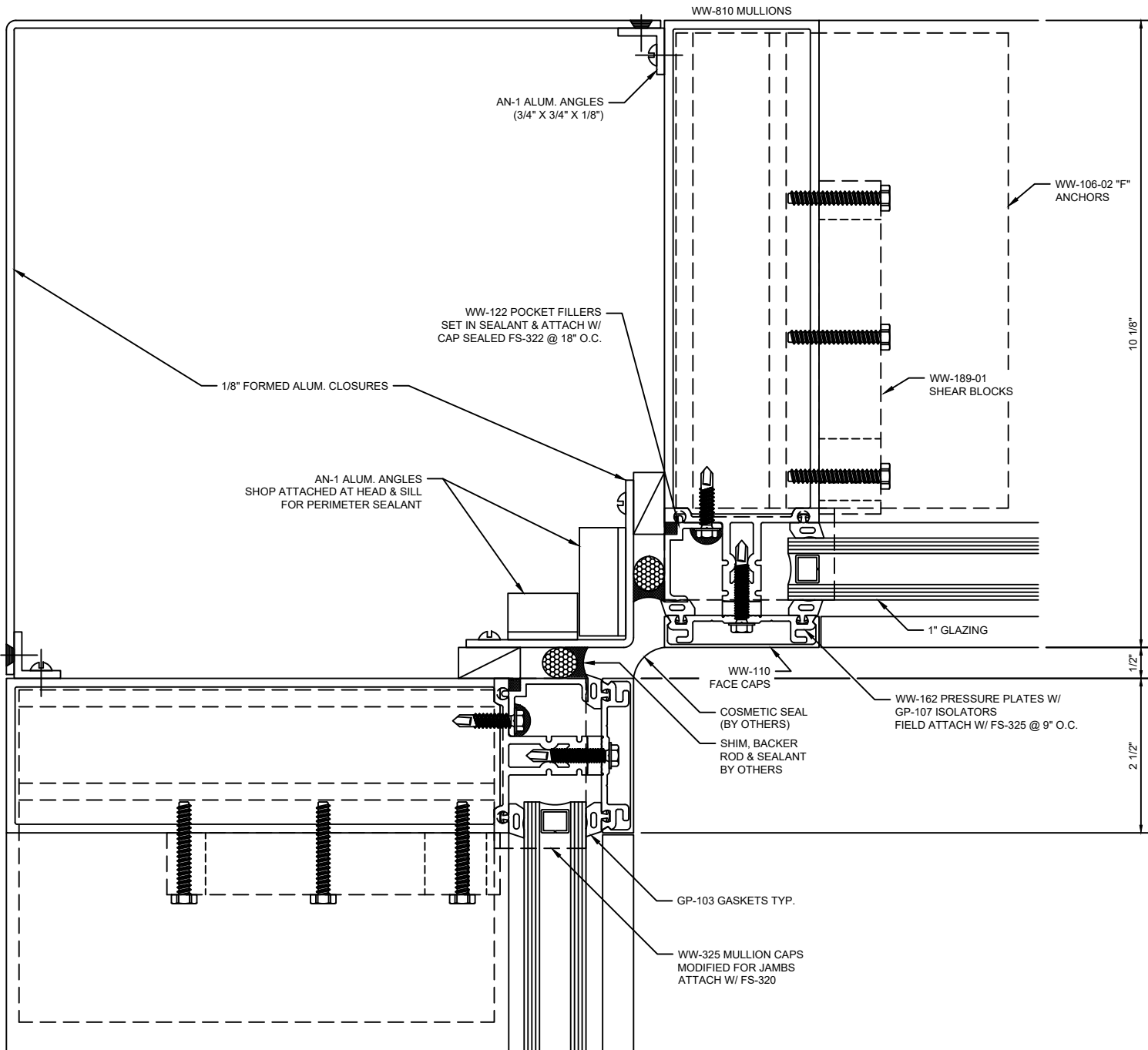
SSG Vertical Mullion at Spandrel - V3657



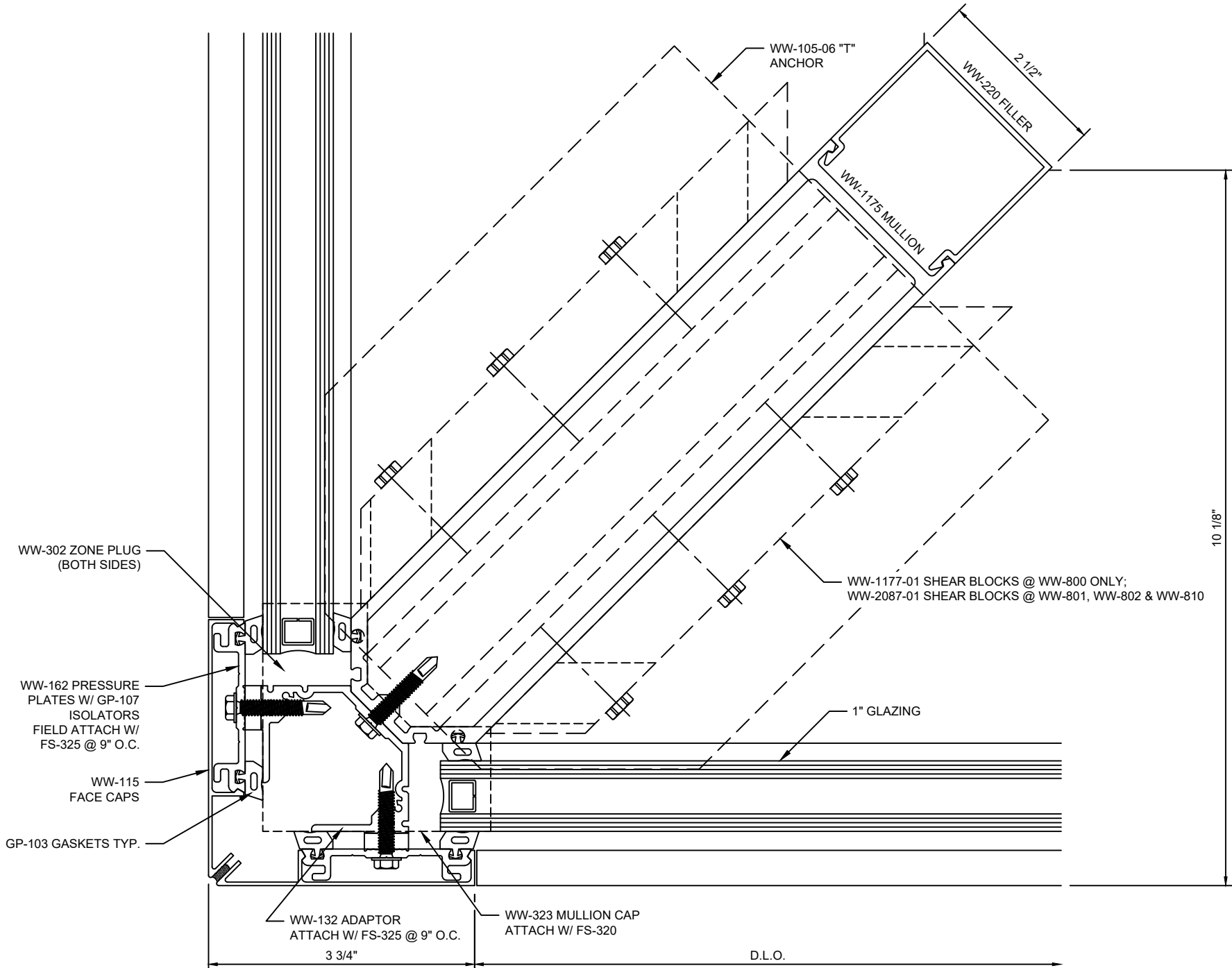
Reliance™ Curtain Wall SSG Mullion at Operable Window - V3659



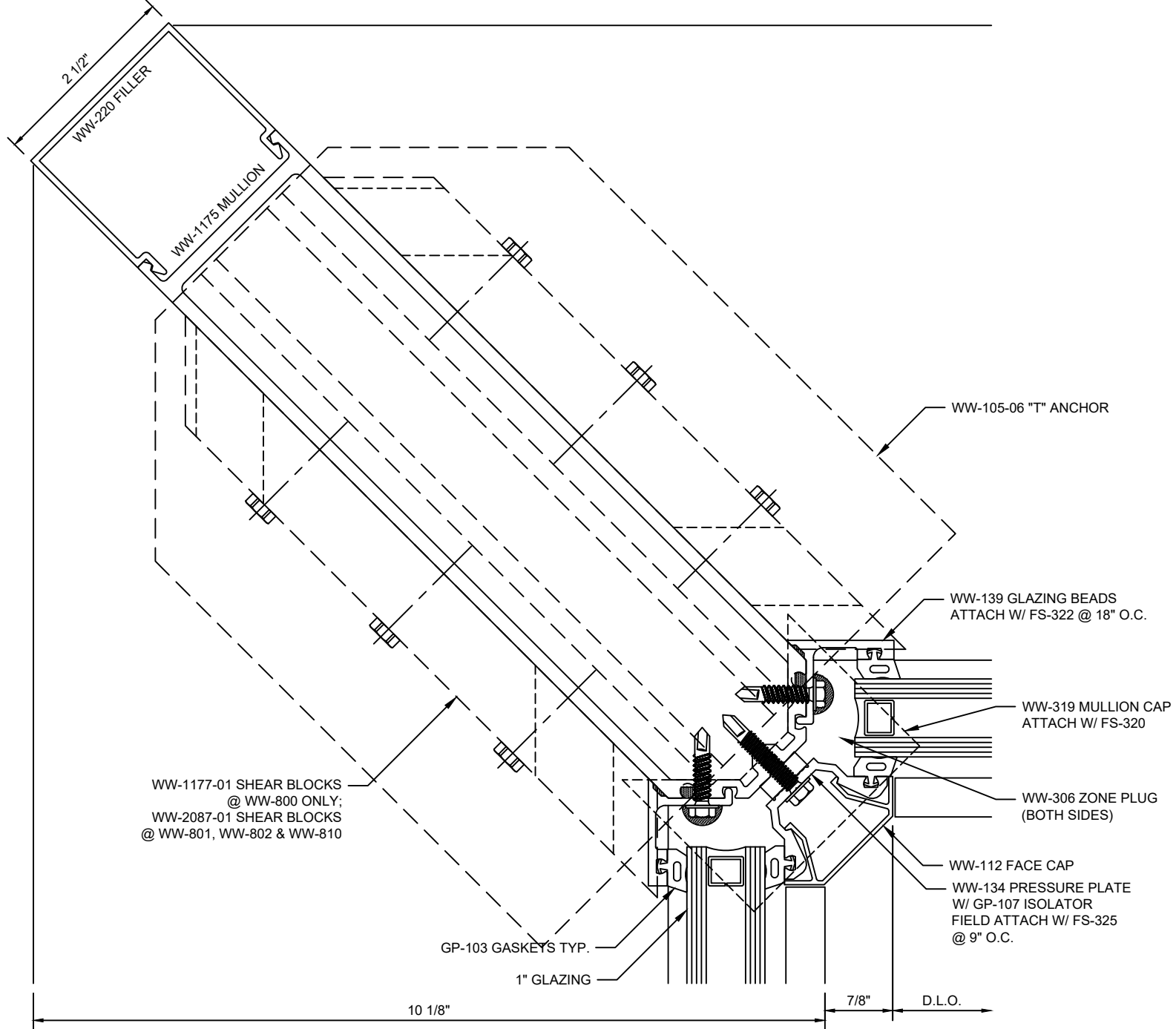
Reliance™ Curtain Wall 90° Outside Corner - V3615



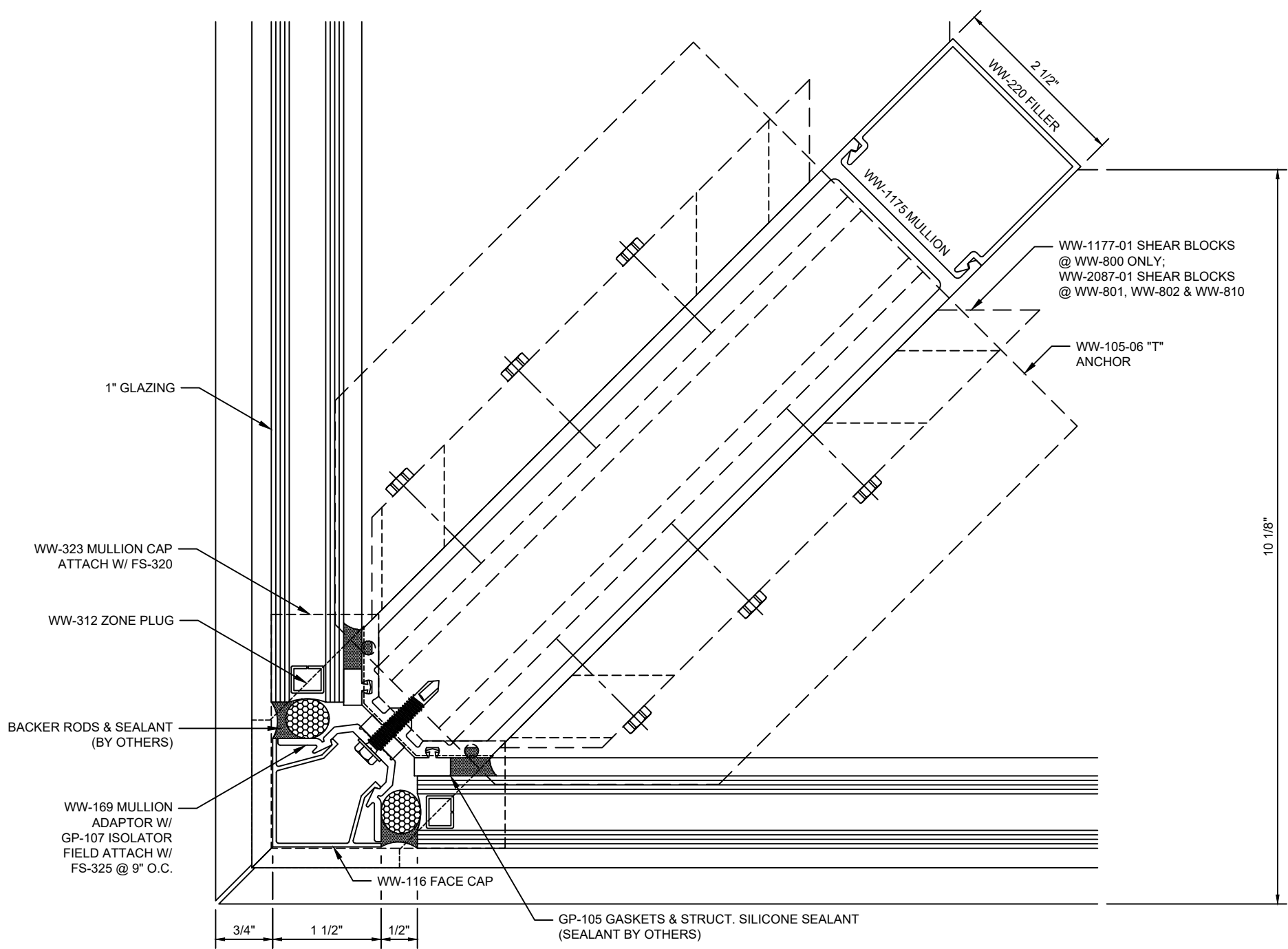
Reliance™ Curtain Wall 90° Inside Corner - V3617



Reliance™ Curtain Wall
90° Outside Corner at Vision - V3621

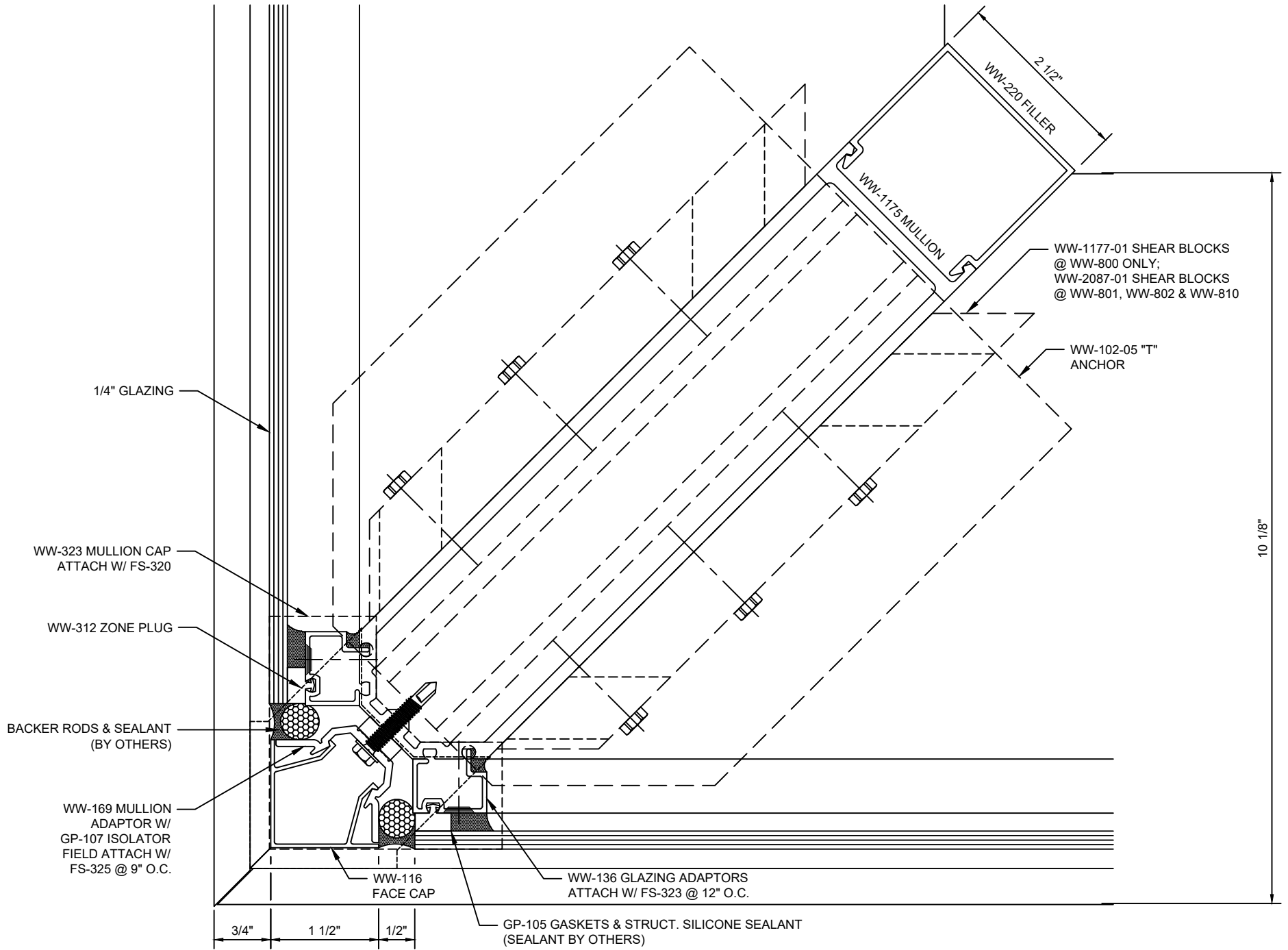


Reliance™ Curtain Wall
90° Inside Corner at Vision - V3625



Reliance™ Curtain Wall

90° SSG Corner at Vision - V3671



Reliance™ Curtain Wall
90° SSG Corner at Spandrel - V3672