

Oldcastle BuildingEnvelope®

1-866-Oldcastle (653-2278) - www.obe.com

RELIANCE™ CURTAIN WALL W/ FRP PRESSURE PLATE 2-1/2" X 7-1/2" / 1" GLAZING

Elev-RcwFRP-750

Horizontal Details

H3101	Head
H3104	Sill
H3105	Typical Horizontal
H3108	Roll-Over Horizontal
H3109	Roll-Under Horizontal
H3118	Pocket Frame Operable Window
H3119	Flat Frame Operable Window

Vertical Details

V3101	Jamb - Open Back
V3102	Typical Vertical
V3105	Heavy Vertical
V3108	Jamb - Tubular

Corner Details

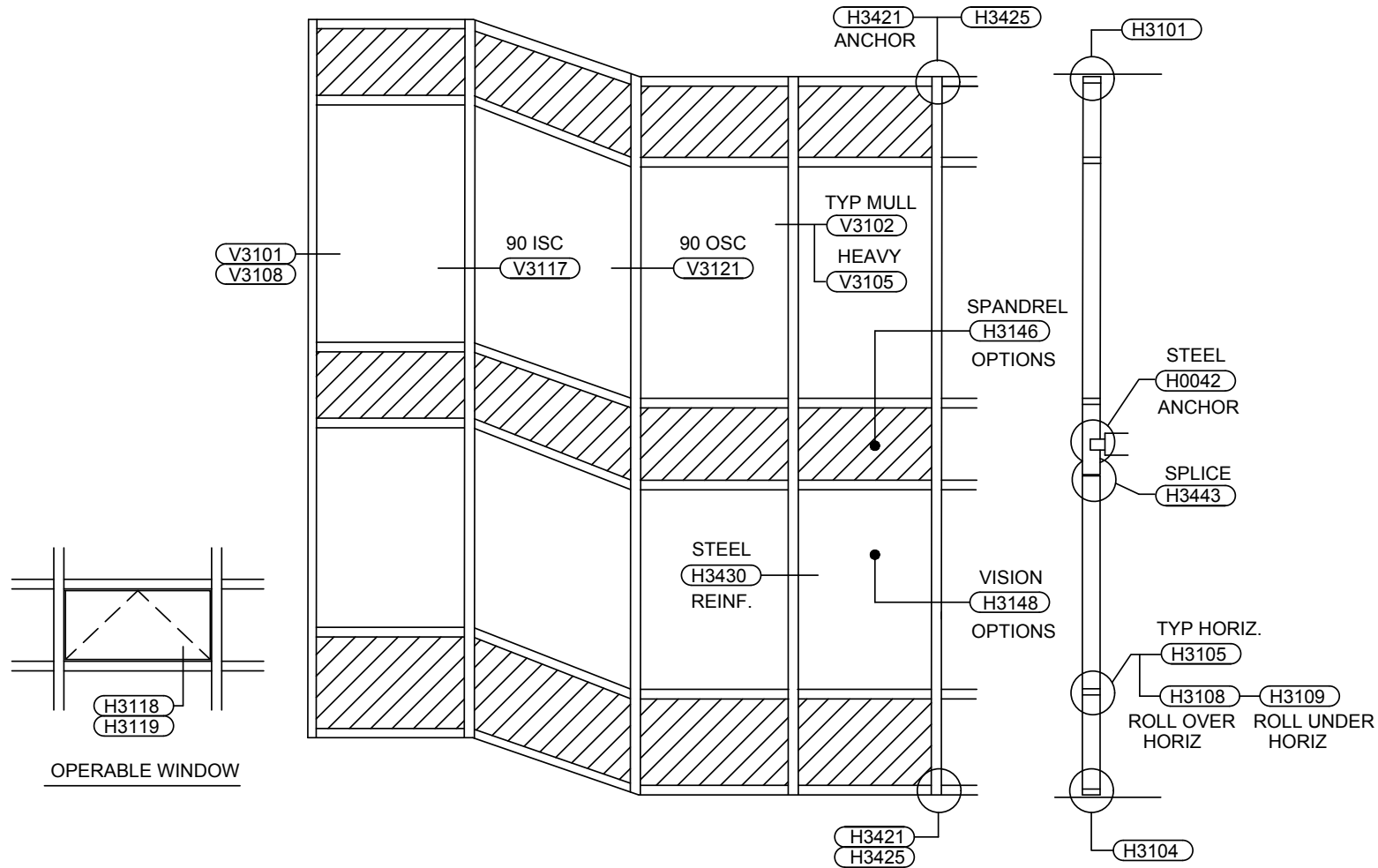
V3117	90° Inside Corner
V3121	90° Outside Corner

Misc. Details

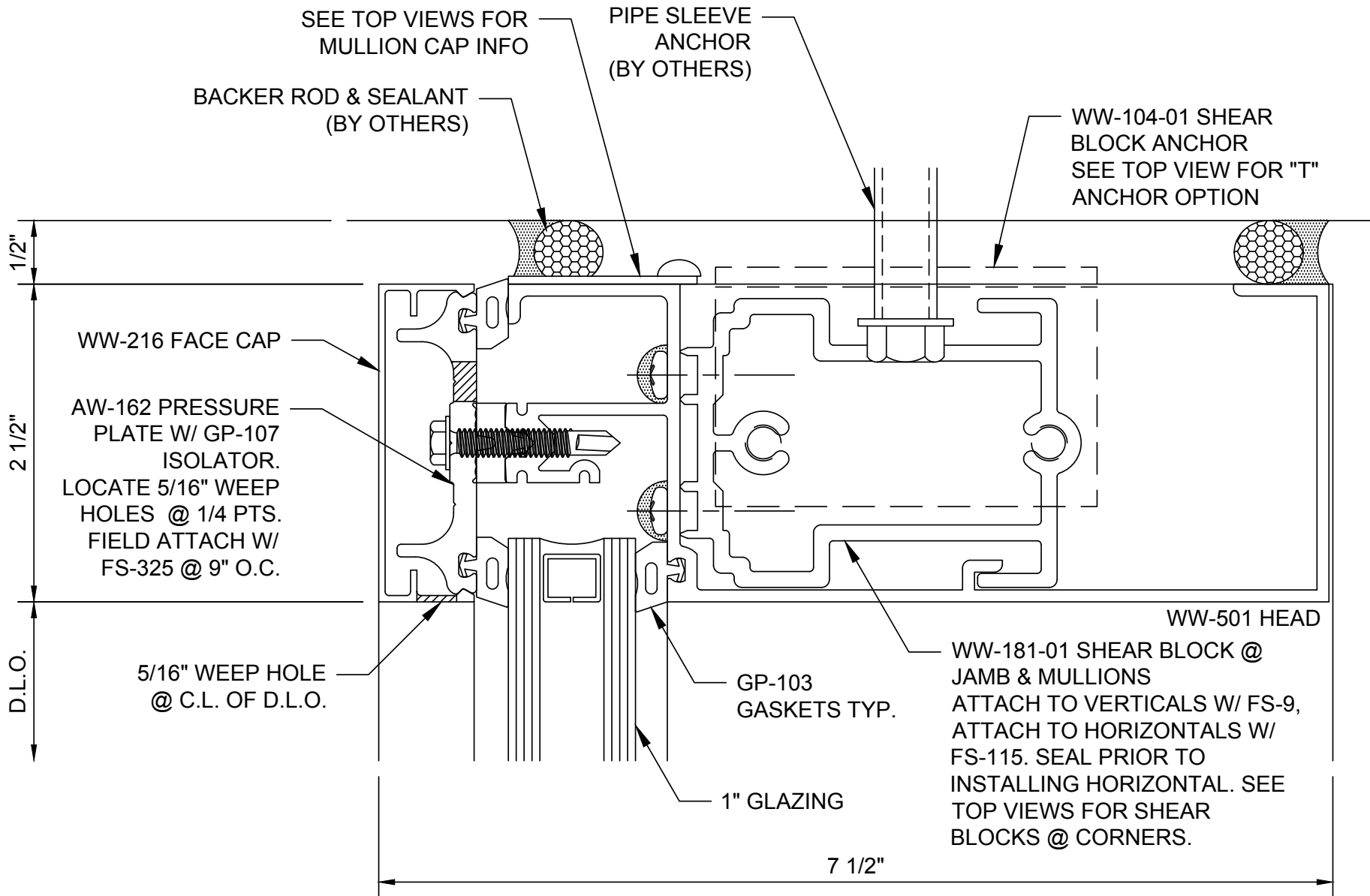
H0042	Steel Anchor
H3146	Spandrel Glazing Options
H3148	Vision Glazing Options
H3421	Shear Block Anchor
H3425	'F' & 'T' Mullion Anchor
H3430	Steel Reinforcement
H3443	Mullion Splicing

Table of Contents

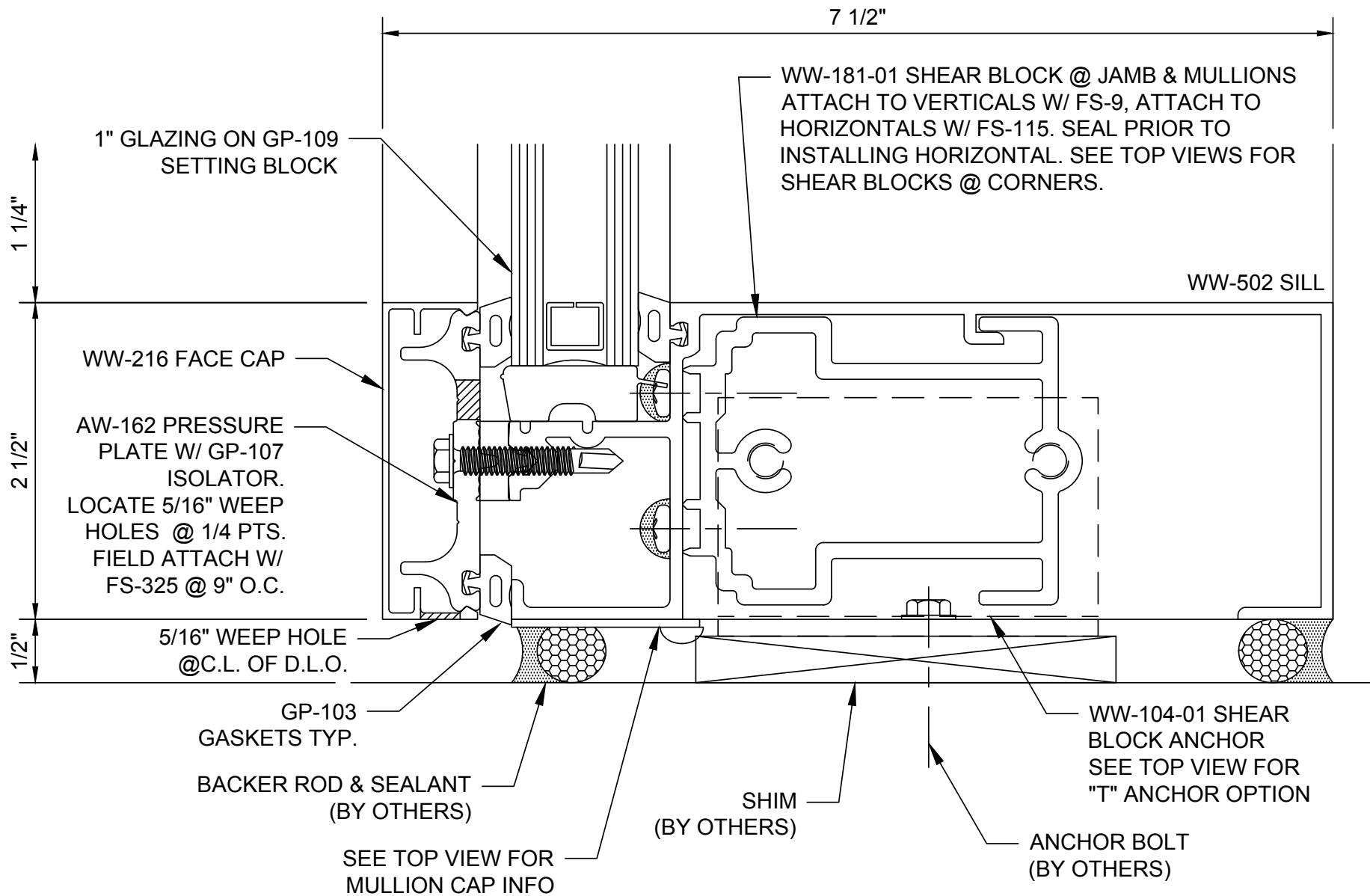
Note: For Door Models visit : <http://www.obe.com/products/entrances/swing-entrances/standard-ns-212ms-375ws-500-door-and-frame>



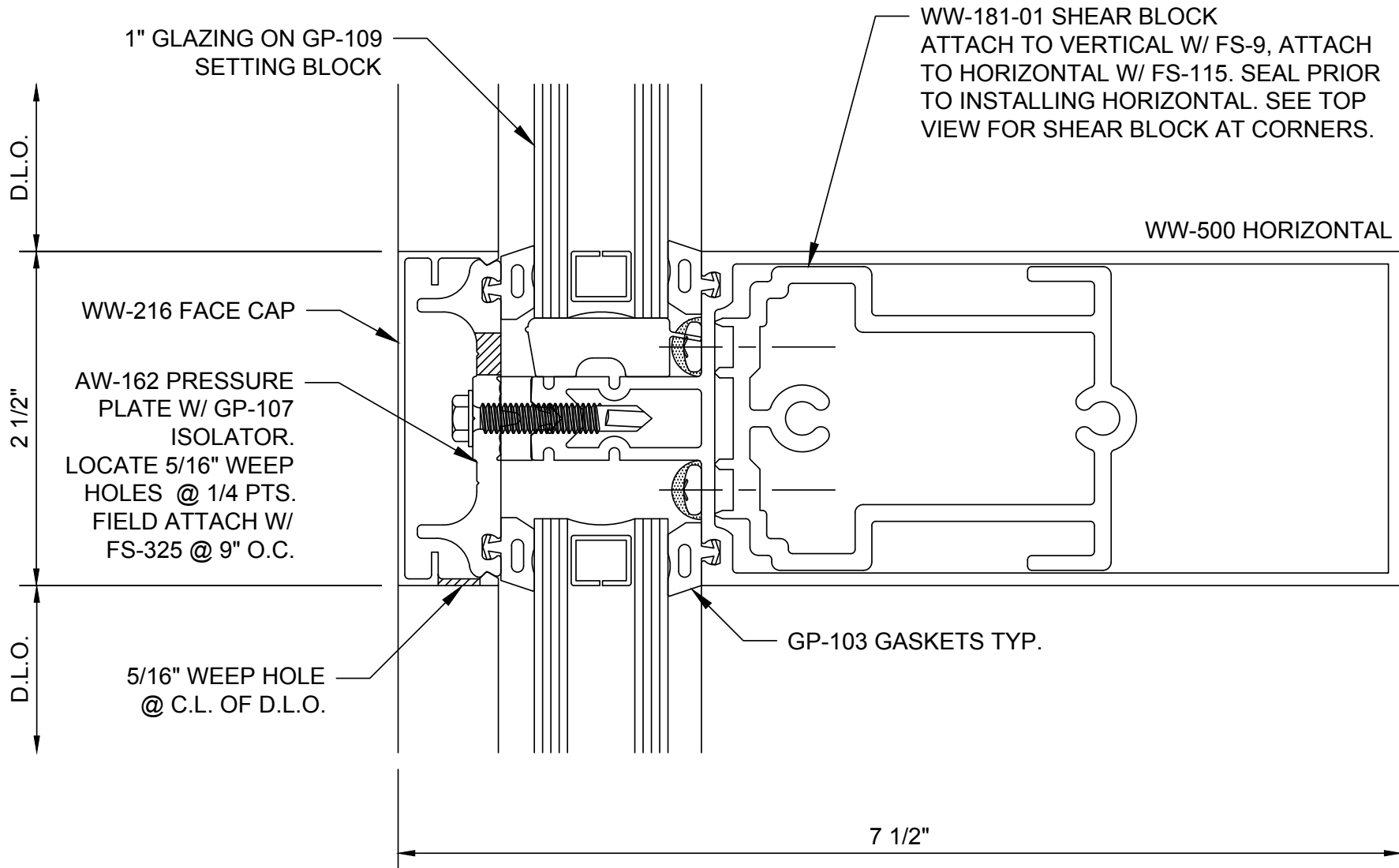
Reliance™ Curtain Wall w/ FRP Pressure Plate
2-1/2" x 7-1/2" w/ 1" Glazing - Elevation



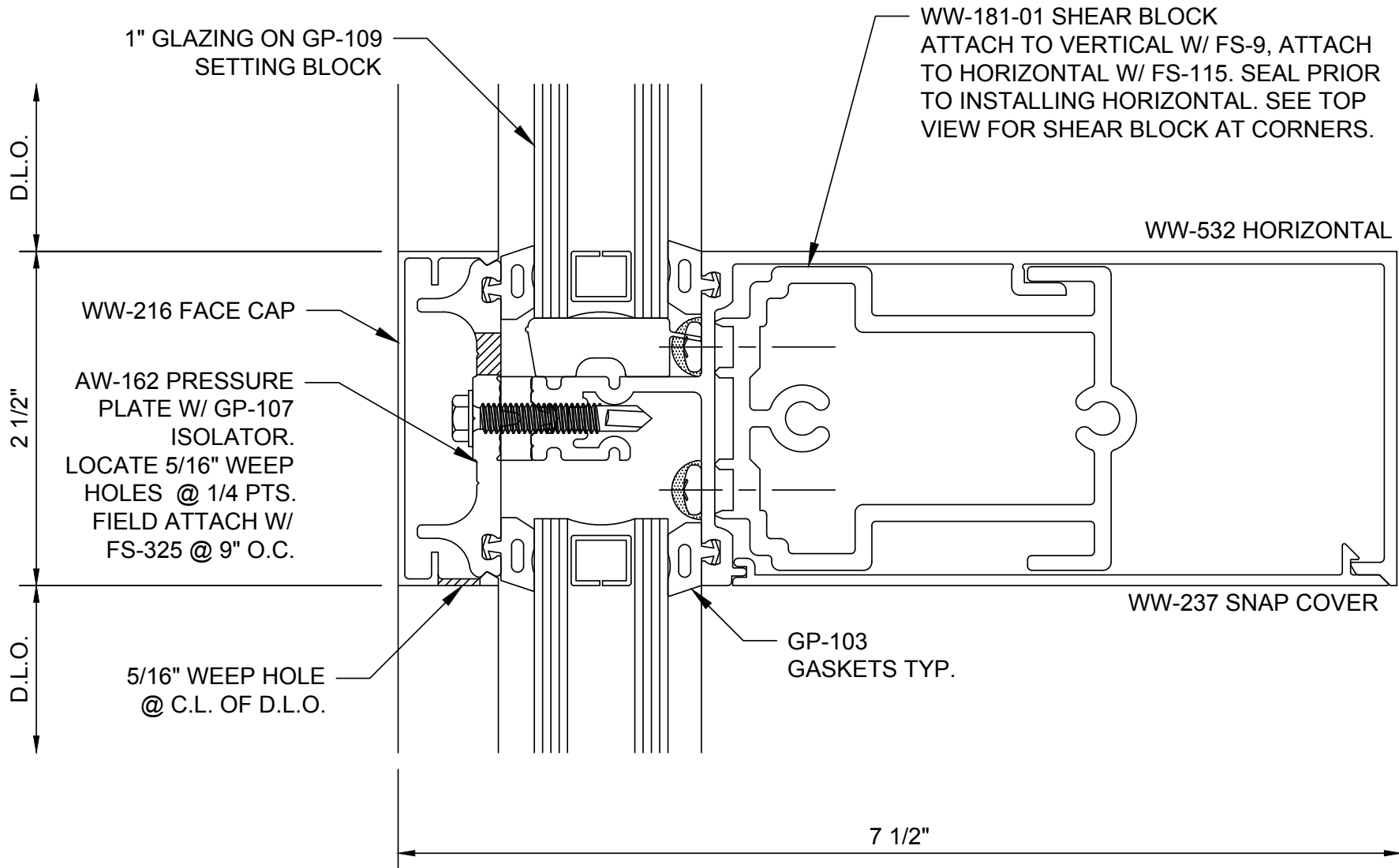
**Reliance™ Curtain Wall w/ FRP Pressure Plate
Head at Vision - H3101**



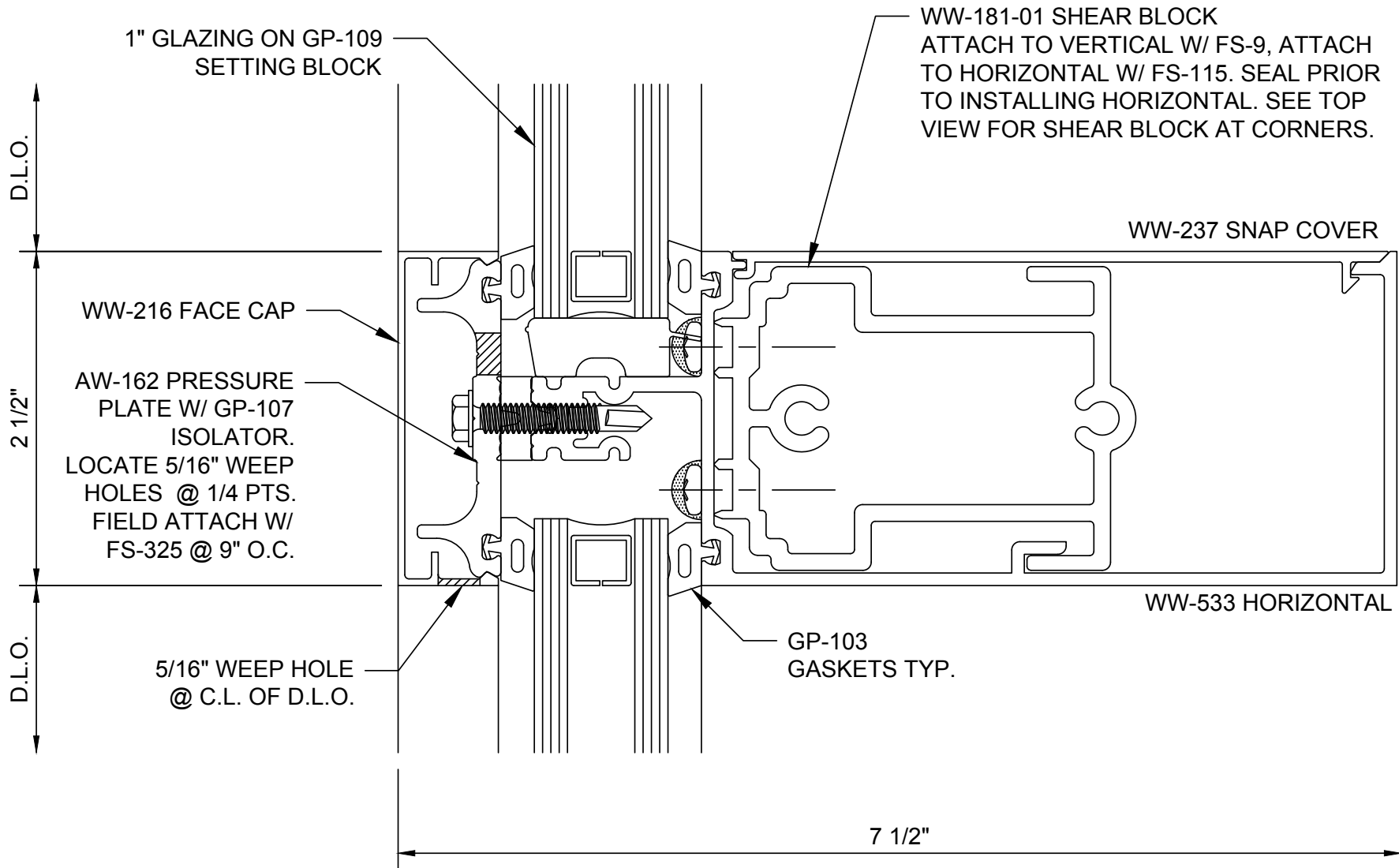
Reliance™ Curtain Wall w/ FRP Pressure Plate
Sill at Vision - H3104



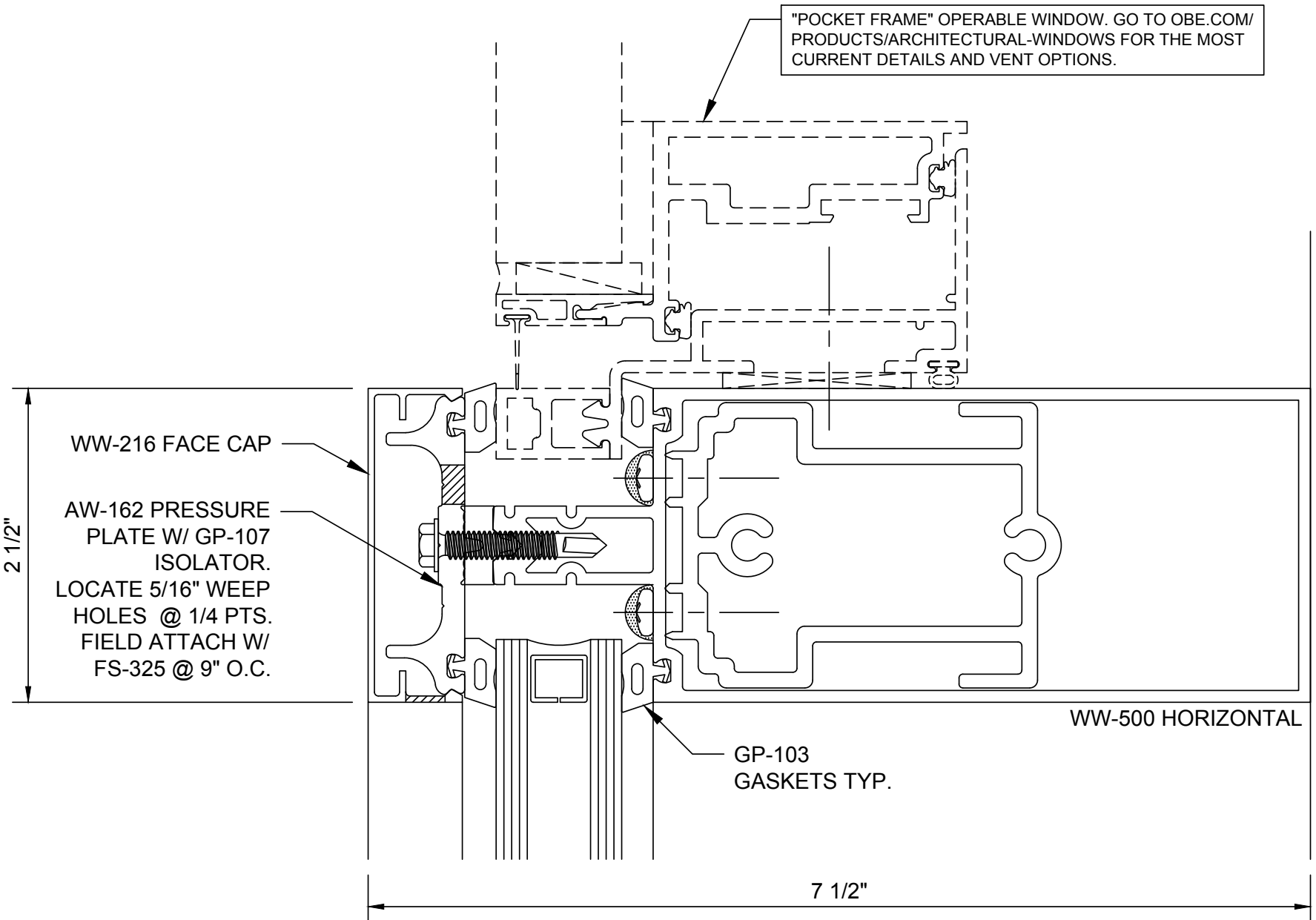
**Reliance™ Curtain Wall w/ FRP Pressure Plate
Intermediate Horizontal at Vision - H3105**



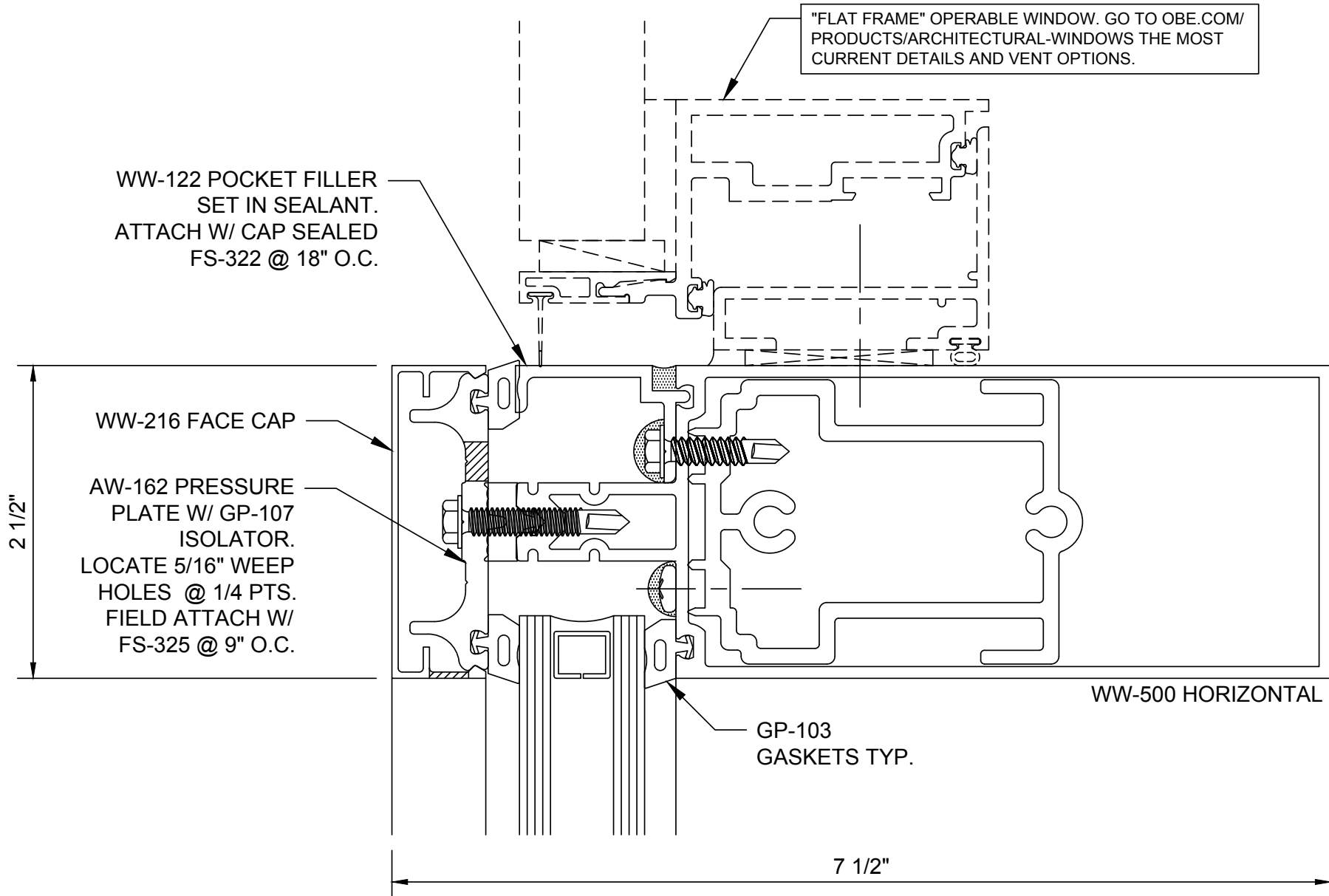
**Reliance™ Curtain Wall w/ FRP Pressure Plate
Roll-over Horizontal at Vision - H3108**



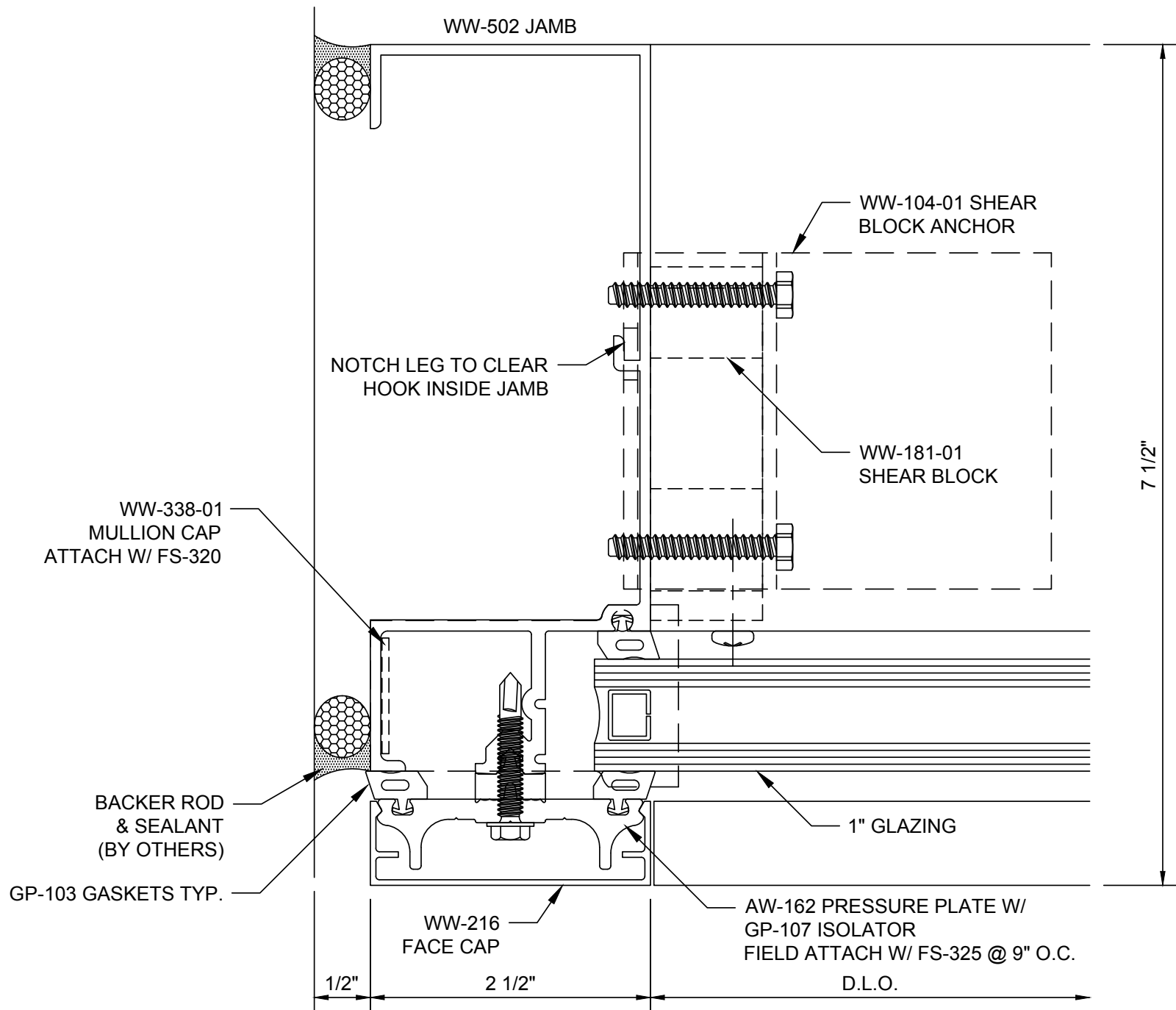
**Reliance™ Curtain Wall w/ FRP Pressure Plate
Roll-under Horizontal at Vision - H3109**



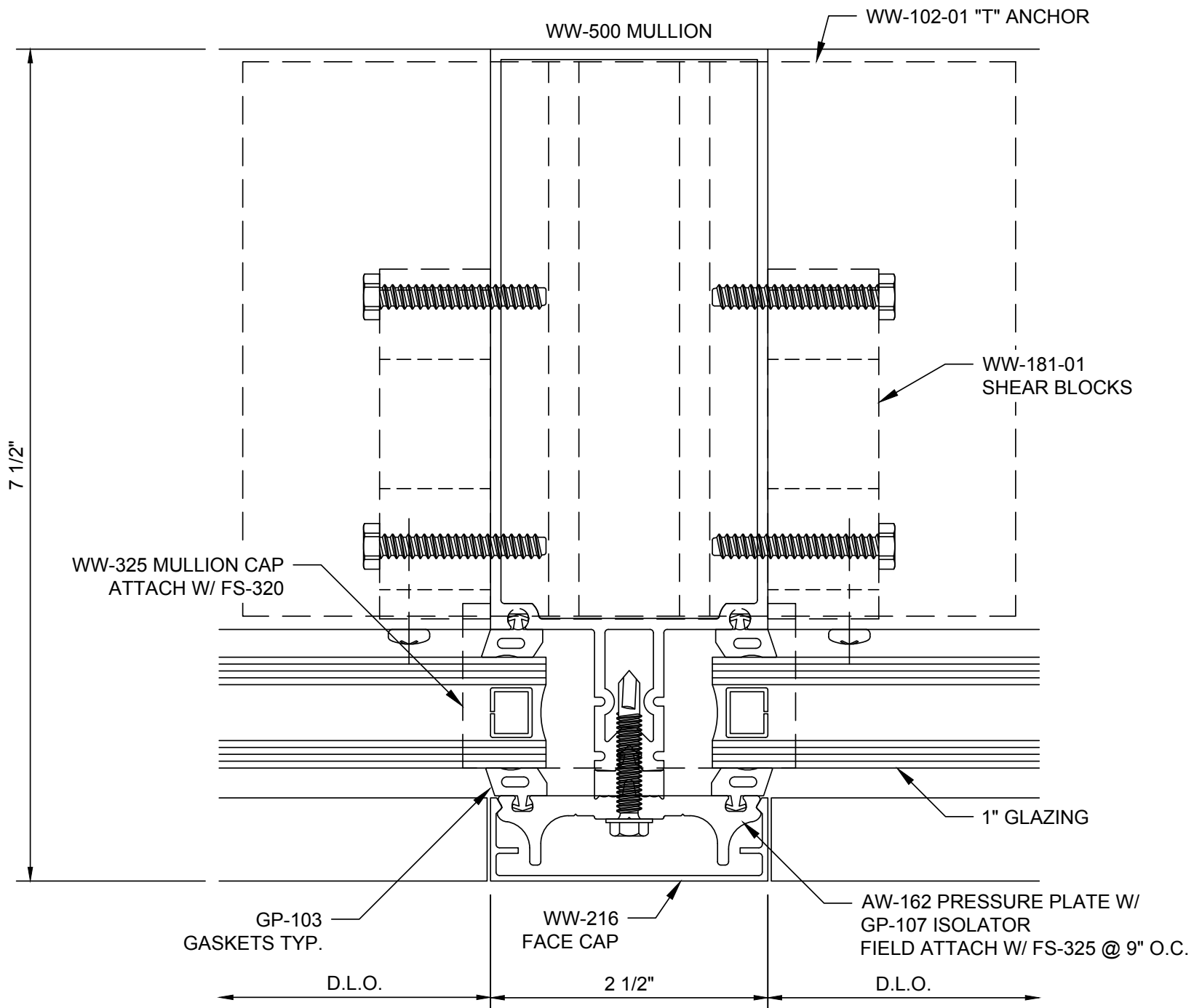
**Reliance™ Curtain Wall w/ FRP Pressure Plate
Horizontal at Operable Window - H3118**



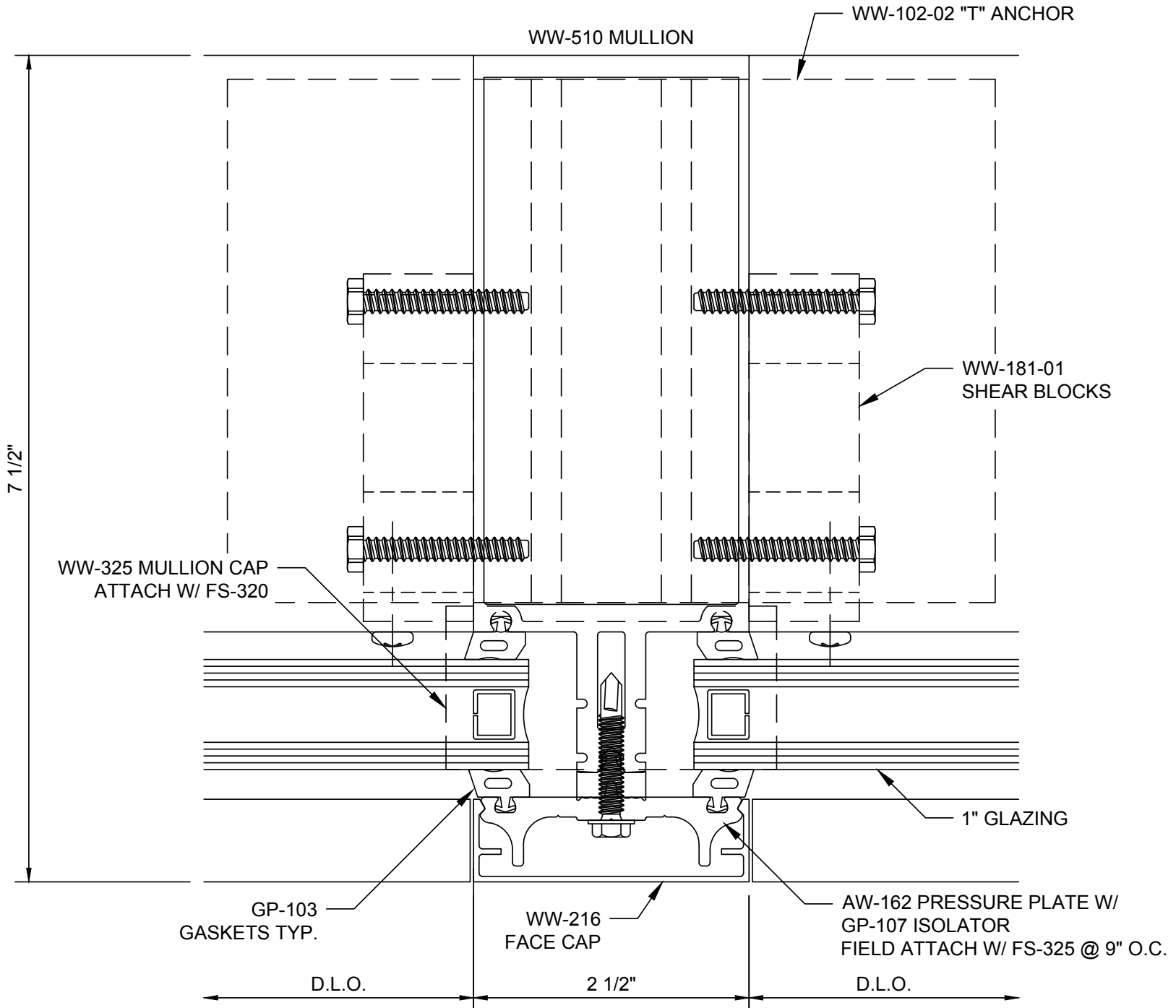
**Reliance™ Curtain Wall w/ FRP Pressure Plate
Horizontal at Operable Window - H3119**



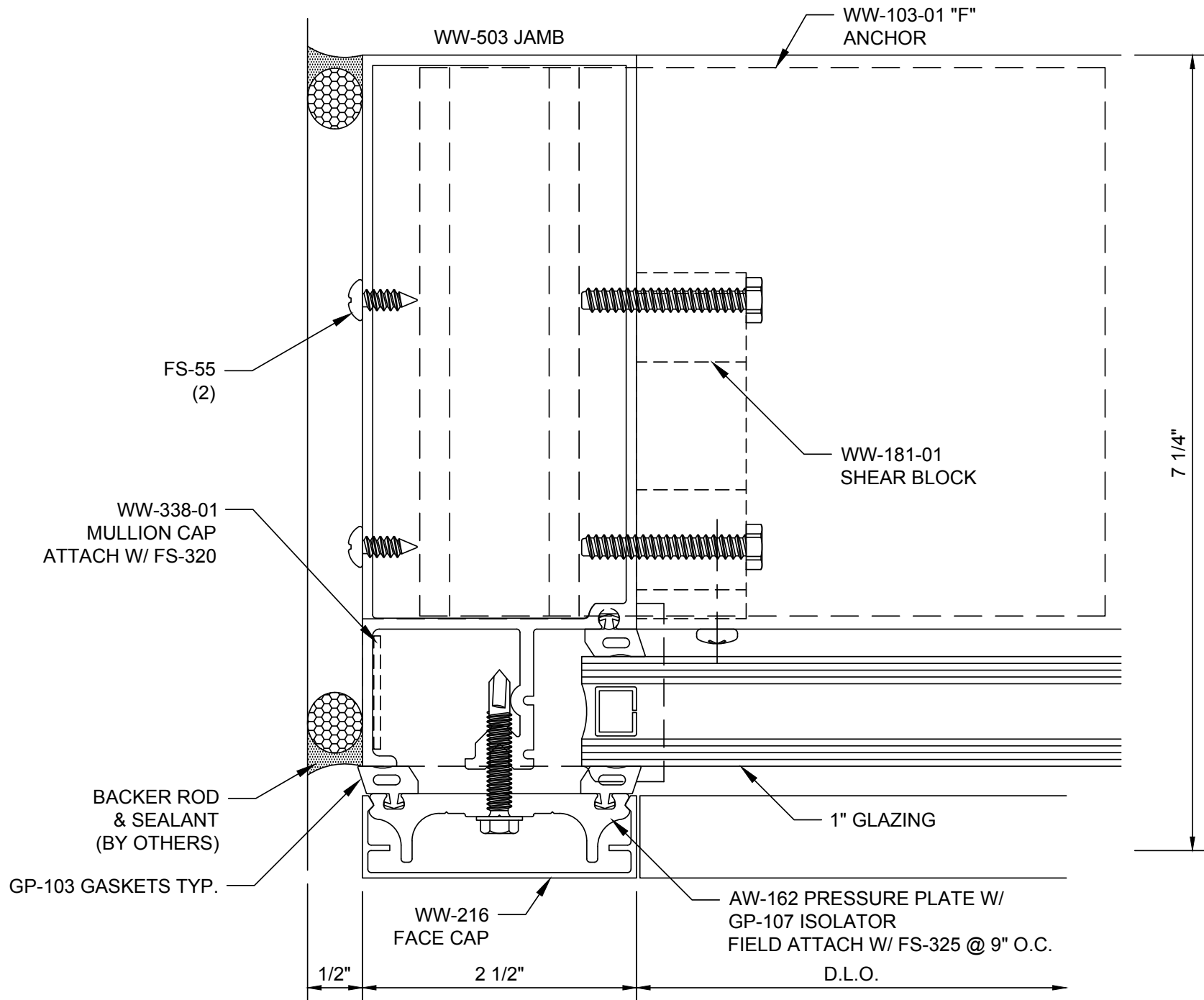
**Reliance™ Curtain Wall w/ FRP Pressure Plate
Open Back Jamb Vertical - V3101**



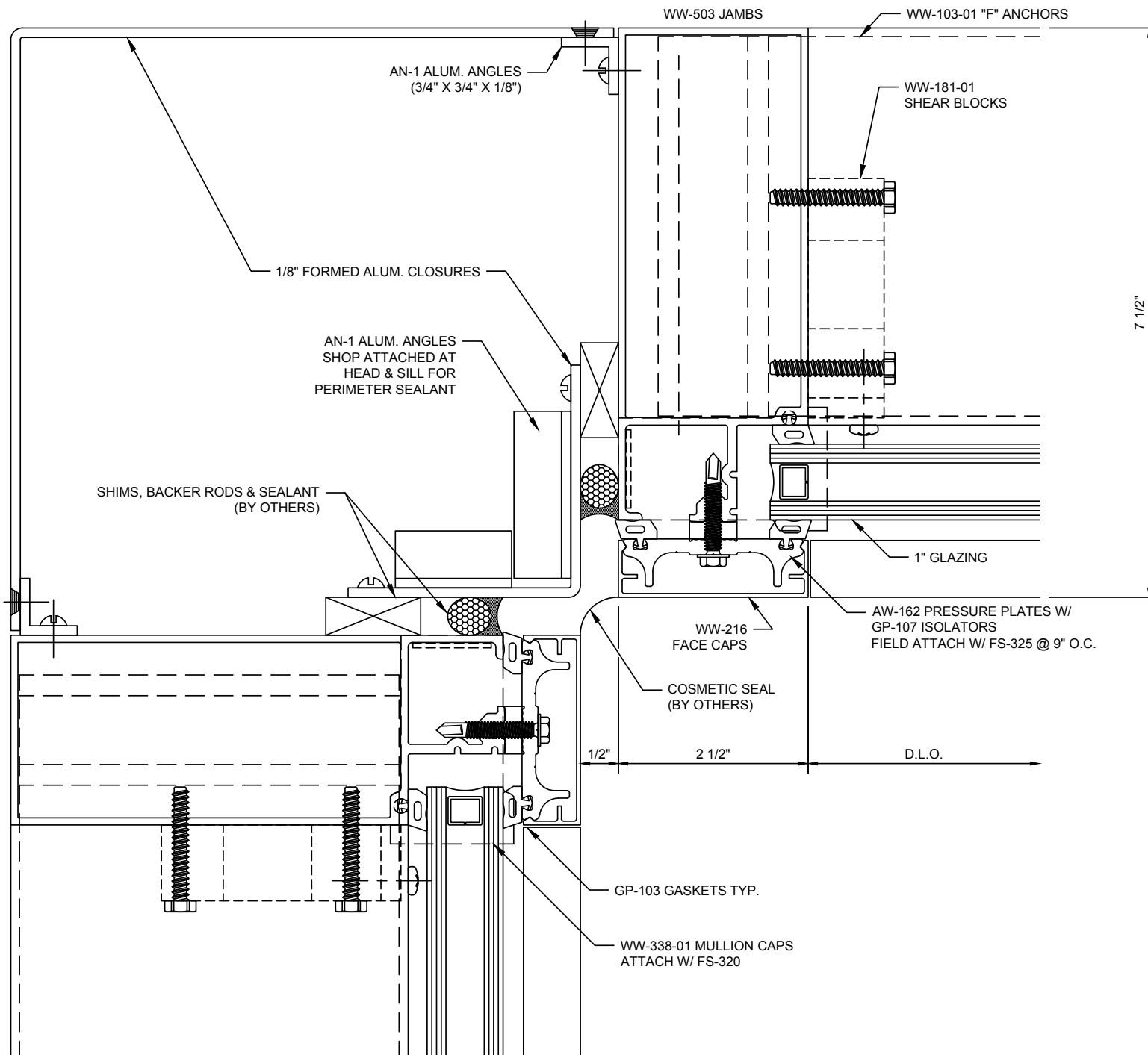
Reliance™ Curtain Wall w/ FRP Pressure Plate
Typical Vertical Mullion - V3102



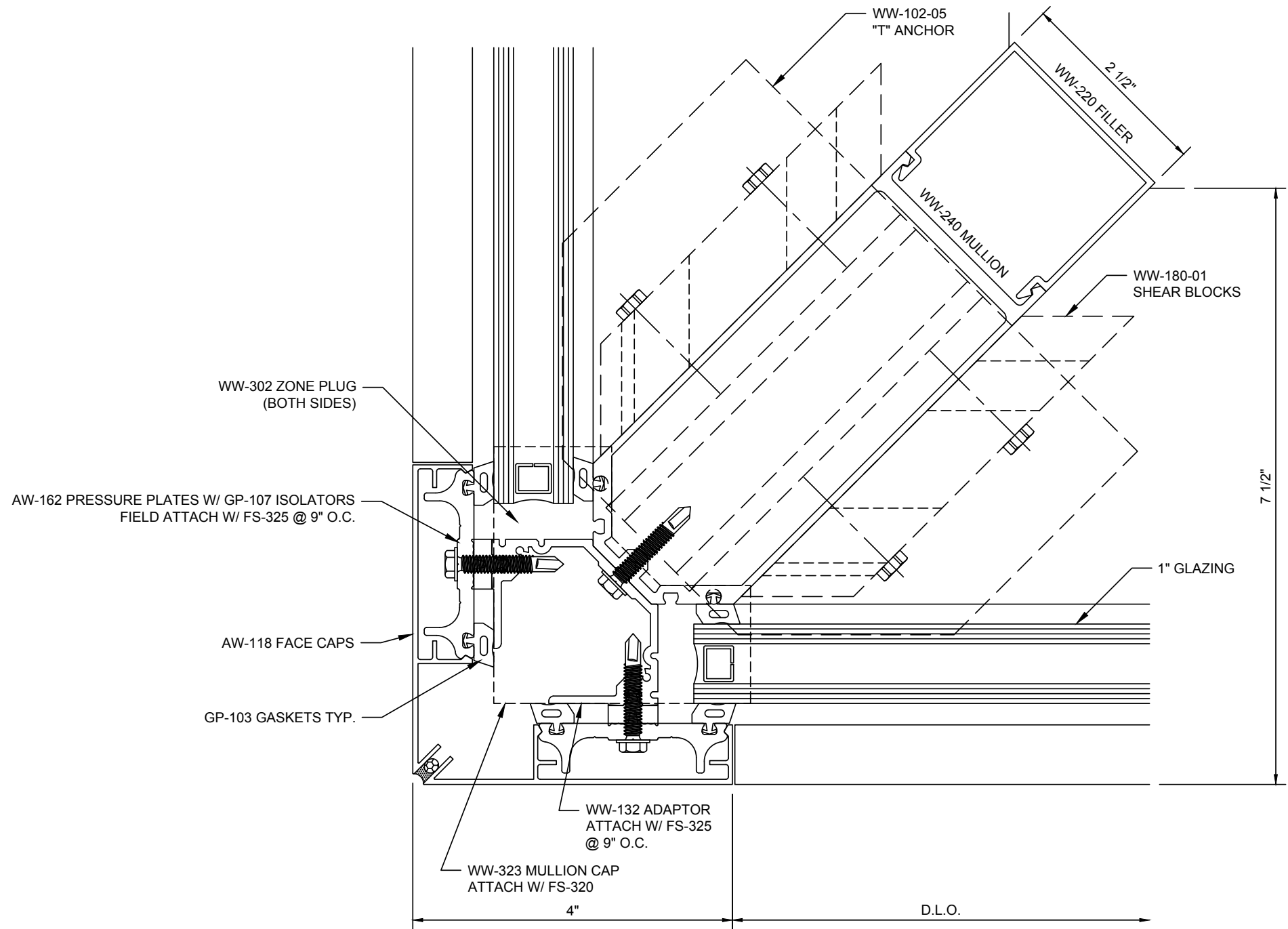
**Reliance™ Curtain Wall w/ FRP Pressure Plate
Heavy Vertical Mullion - V3105**



**Reliance™ Curtain Wall w/ FRP Pressure Plate
Tubular Jamb Vertical - V3108**



Reliance™ Curtain Wall w/ FRP Pressure Plate
90° Inside Corner - V3117

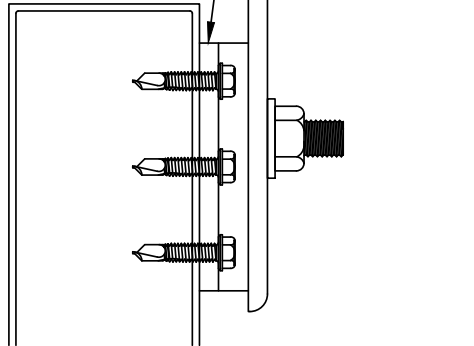


**Reliance™ Curtain Wall w/ FRP Pressure Plate
90° Outside Corner at Vision - V3121**

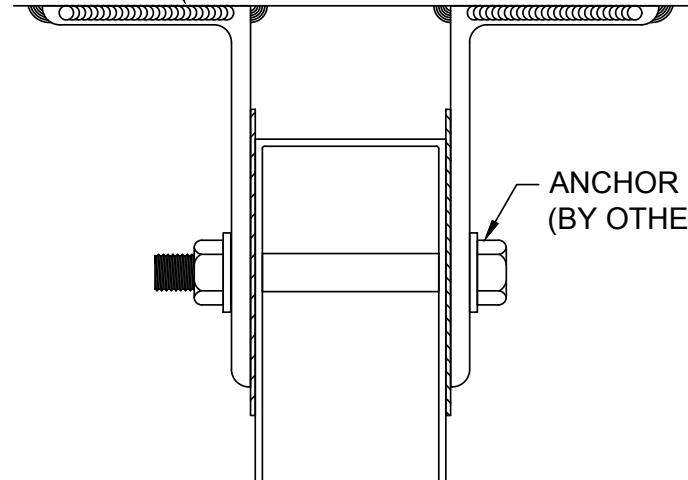
WELD AS REQUIRED BY INSTALLER

FLOOR SLAB OR BEAM

WW-2223 JAMB ANCHOR PLATE
ATTACH W/ (6) FS-336 (1/4"-20 X
1-1/8" HWH DRILL FLEX)

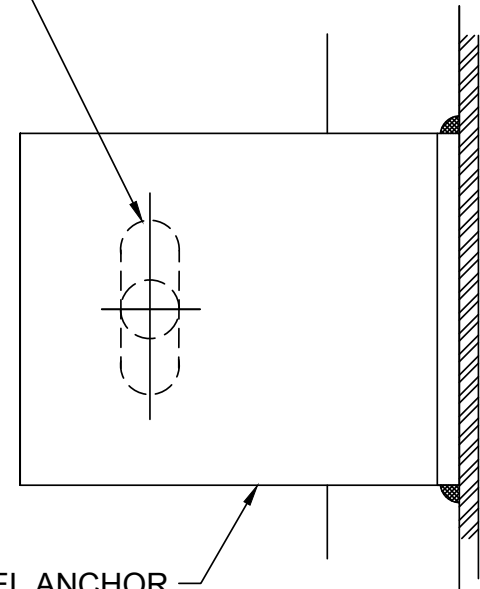


Plan View
Jamb Option



Plan View
Intermediate Mullion

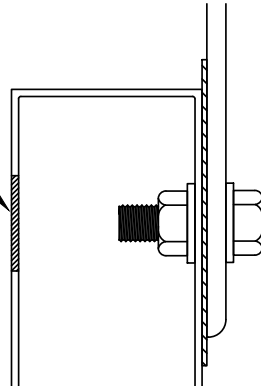
HOLE IN ANCHOR @ DEAD LOAD
SLOT IN ANCHOR @ WIND LOAD



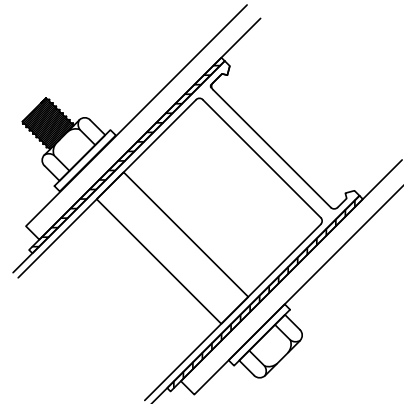
Side View

STEEL ANCHOR
DESIGN DETERMINED
BY ENGINEER. SEE
APPROVED SHOP
DRAWINGS.

ACCESS HOLE

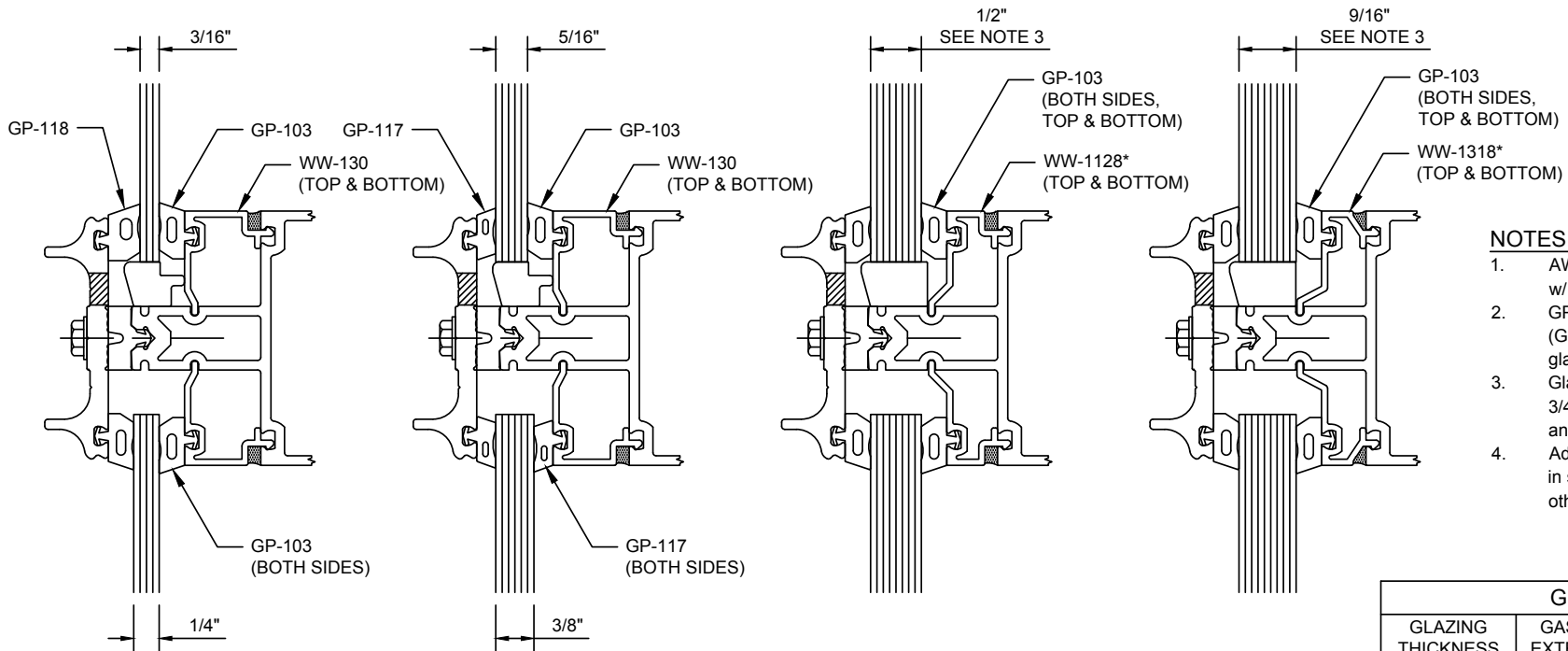


Plan View
Jamb Option



Plan View
Single Mull Corners

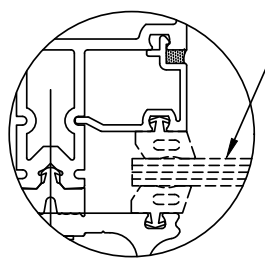
Standard Curtain Wall Steel Anchor - H0042



- NOTES:**
1. AW-162 FRP pressure plate w/ GP-107 isolator typical
GP-110 setting block typical, (GP-126 at 1/2" and 9/16" glazing)
 2. Glass pocket with adaptor = 3/4" (1" glass pocket at 1/2" and 9/16" glazing)
 3. Adaptors/glazing beads set in sealant (sealant by others).

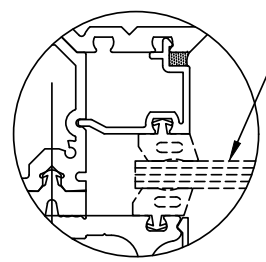
GLASS CHART			
GLAZING THICKNESS	GASKET EXTERIOR	GASKET INTERIOR	GLAZING ADAPTOR
3/16" (.1875)	GP-118	GP-103	WW-130
1/4" (.250)	GP-103	GP-103	WW-130
5/16" (.3125)	GP-117	GP-103	WW-130
3/8" (.375)	GP-117	GP-117	WW-130
1/2" (.500)	GP-103	GP-103	*WW-1128
9/16" (.5625)	GP-103	GP-103	*WW-1318

*Non-stock item



JAMB

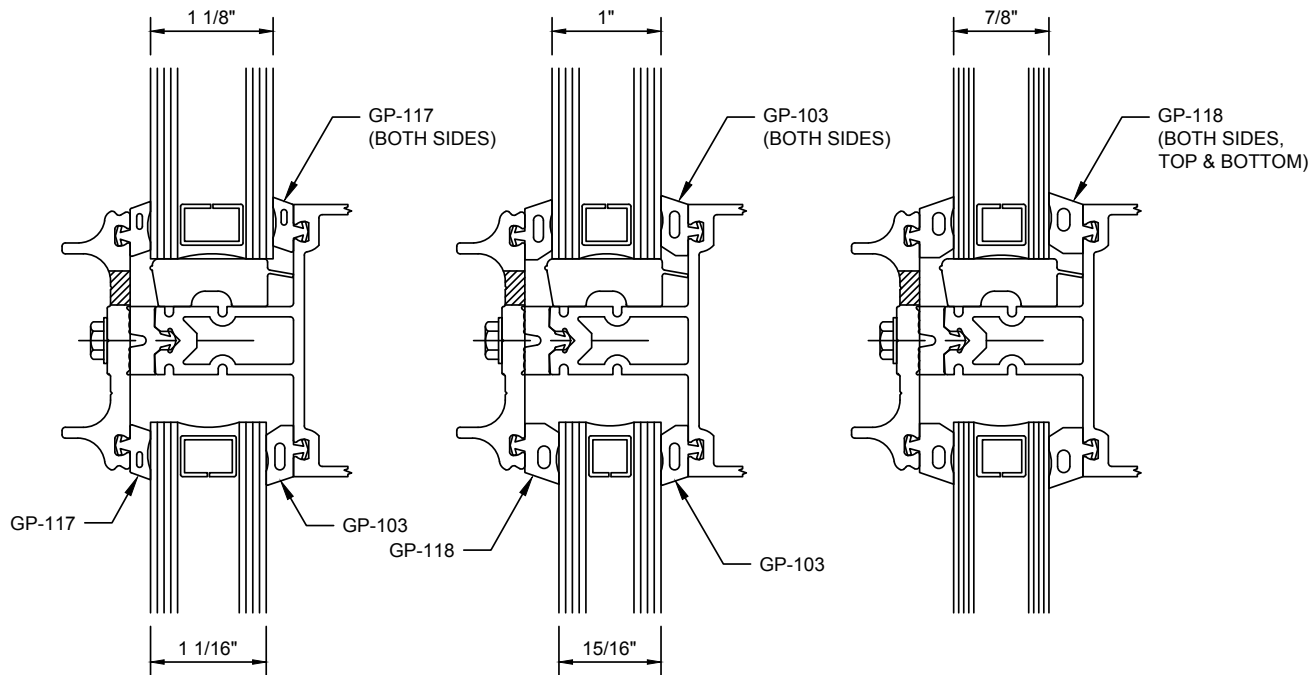
SEE GLASS CHART



90° OUTSIDE CORNER

SEE GLASS CHART

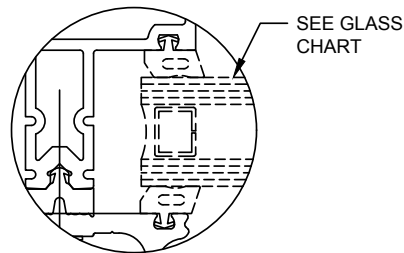
Reliance™ Curtain Wall w/ FRP Pressure Plate Glazing Adaptors & Spandrel Options - H3146



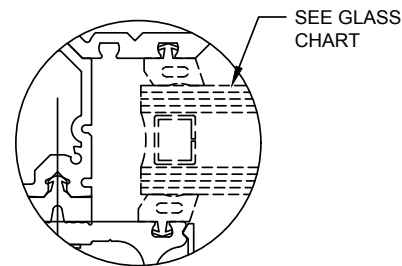
GLASS CHART		
GLAZING THICKNESS	GASKET EXTERIOR	GASKET INTERIOR
7/8" (0.875)	GP-118	GP-118
15/16" (0.9375)	GP-118	GP-103
1"	GP-103	GP-103
1-1/16" (1.0625)	GP-117	GP-103
1-1/8" (1.125)	GP-117	GP-117

NOTES:

1. AW-162 FRP pressure plate w/ GP-107 isolator typical
2. GP-109 setting block typical
3. Glass Pocket = 1-1/2" (typical)

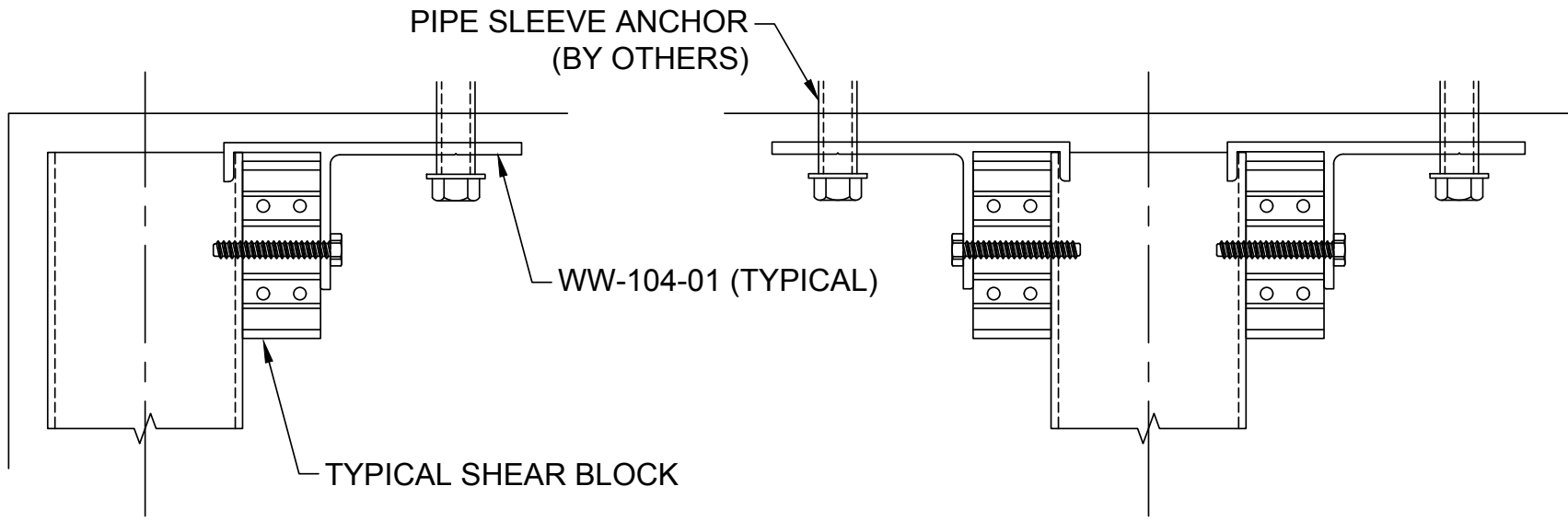


VERTICAL MULLION



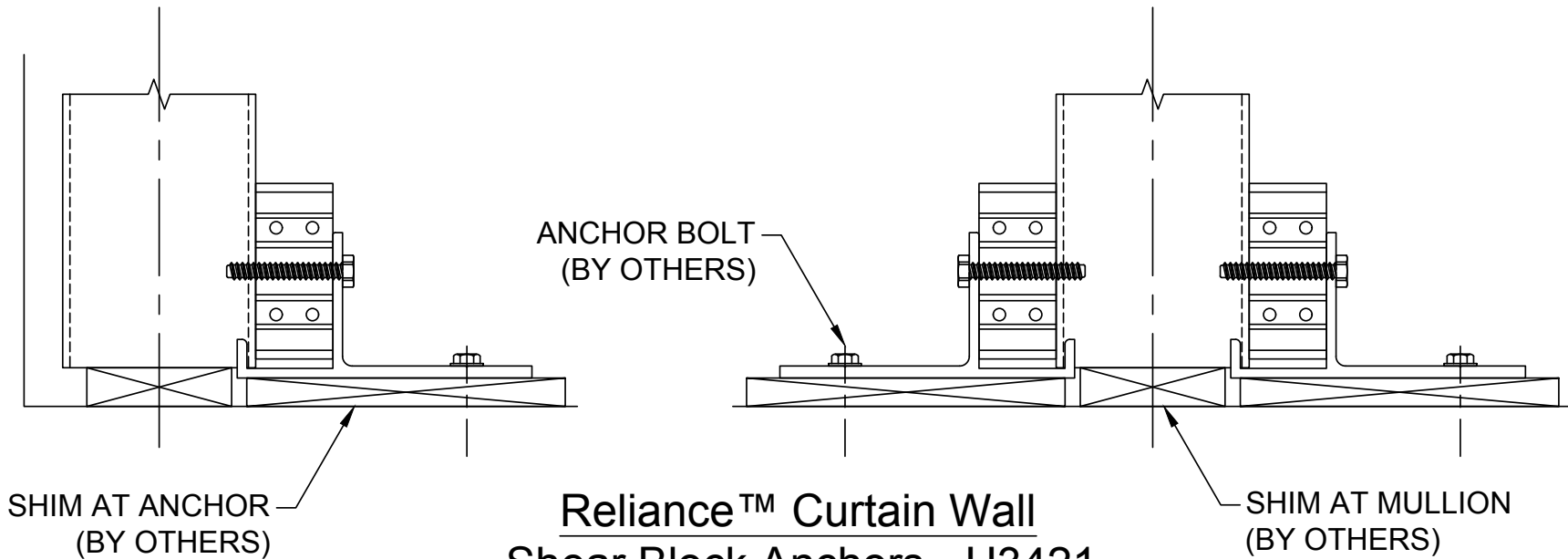
90° OUTSIDE CORNER

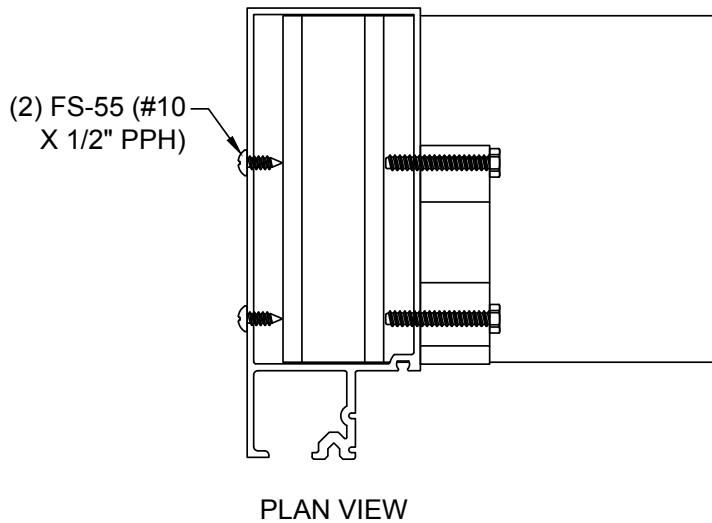
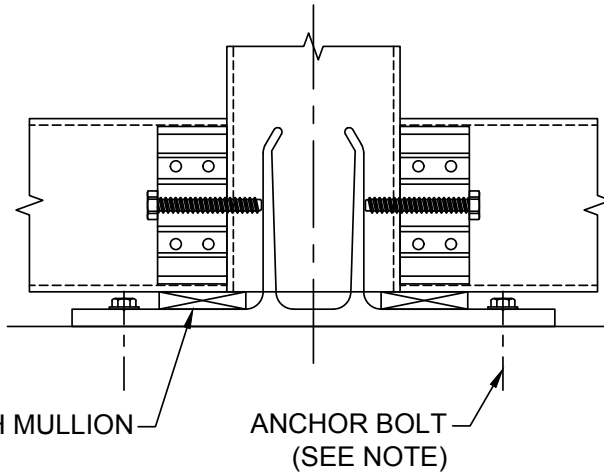
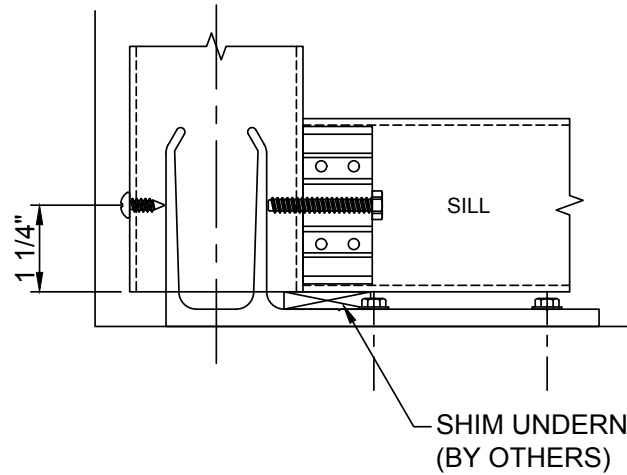
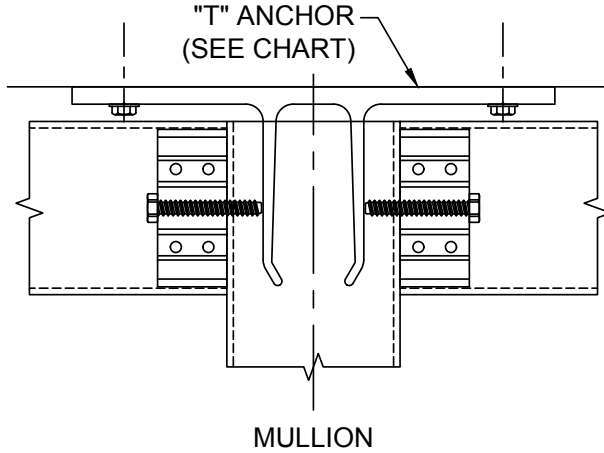
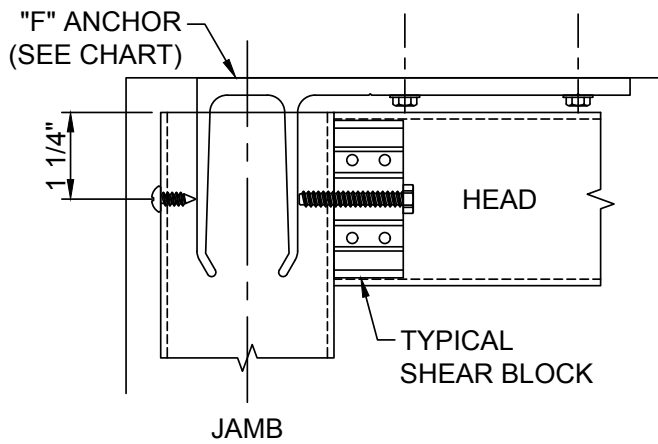
**Reliance™ Curtain Wall w/ FRP Pressure Plate
Vision Glass Options - H3148**



NOTE:

1. ANCHOR BOLT DESIGNED BY STRUCTURAL ENGINEER.
2. WWW-104-01 ALUM. ANCHOR MAXIMUM ALLOWABLE END REACTION IS 375 LBS. PER ANCHOR, I.E. 375 LBS. AT JAMB VERTICAL, 750 LBS. AT INTERMEDIATE VERTICAL.





NOTE:

1. ANCHOR BOLT SIZE AND LOCATION DETERMINED BY STRUCTURAL ENGINEER

Reliance™ Curtain Wall "F" & "T" Anchors - H3425

"F" ANCHOR CHART

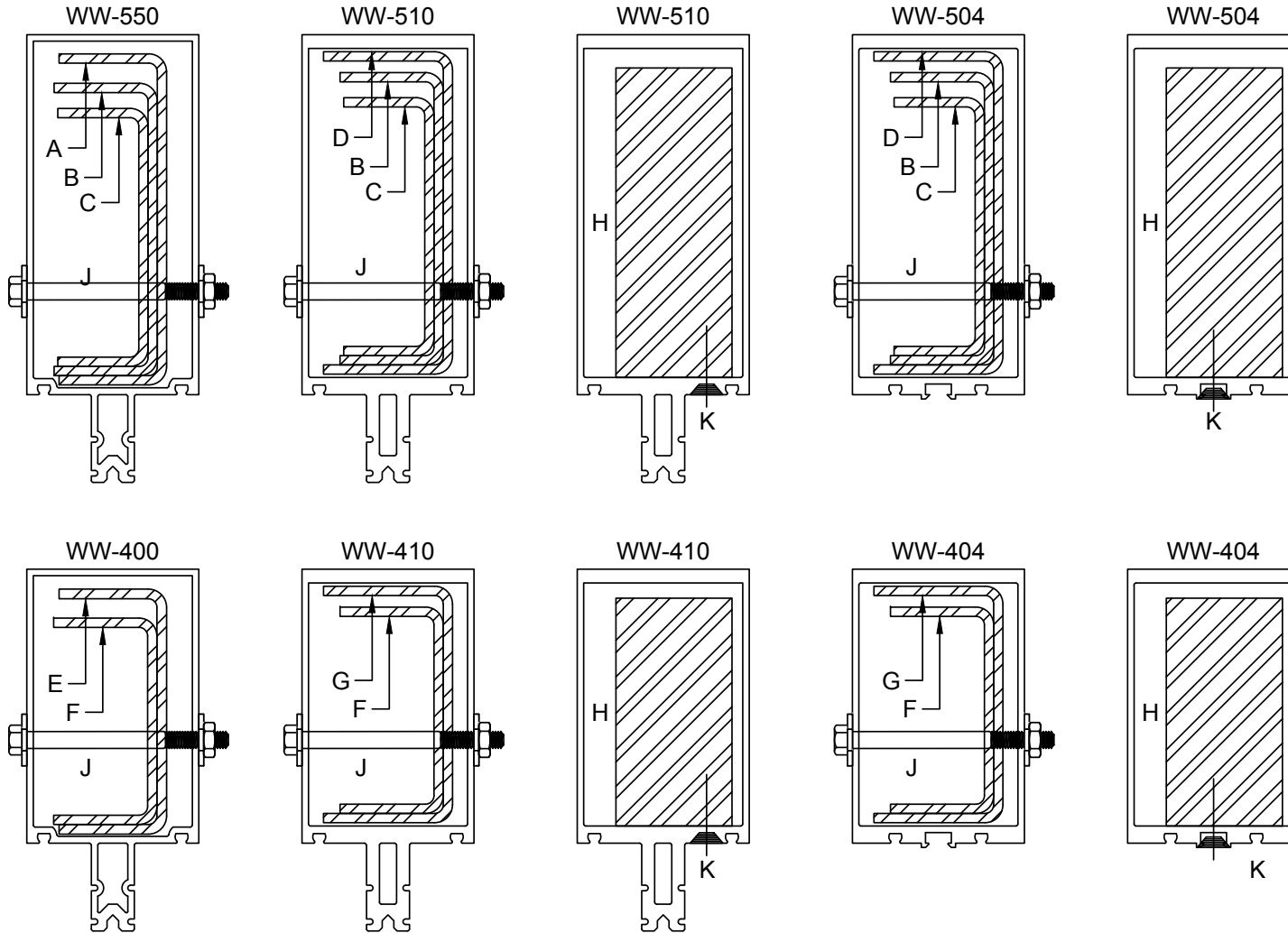
PART NO.	MULLION
WW-103-01	WW-500 / WW-503 / WW-550 / WW-553
WW-103-02	WW-504 / WW-510 / WW-560
WW-103-03	WW-400 / WW-403 / WW-450 / WW-453
WW-103-04	WW-404 / WW-410 / WW-460
WW-106-01	WW-800 / WW-804 / WW-850
WW-106-02	WW-810

"T" ANCHOR CHART

PART NO.	MULLION
WW-102-01	WW-500 / WW-550
WW-102-02	WW-504 / WW-510 / WW-560
WW-102-03	WW-400 / WW-450
WW-102-04	WW-404 / WW-410 / WW-460
WW-102-05	WW-240 (90° CORNER)
WW-102-06	WW-230 (135° CORNER)
WW-102-07	WW-241 (135° INSIDE SSG CORNER)
WW-105-01	WW-800 / WW-804 / WW-850
WW-105-02	WW-810
WW-105-06	WW-1175 (90° OUTSIDE CORNER)

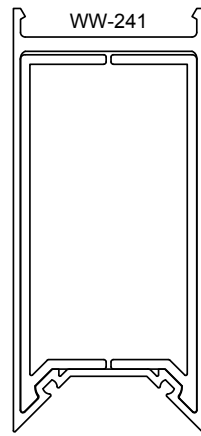
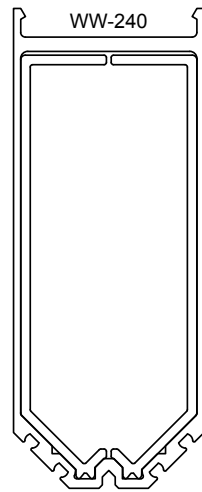
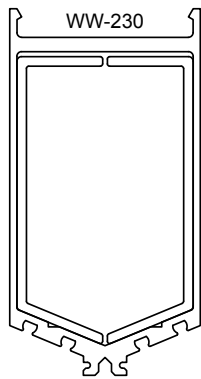
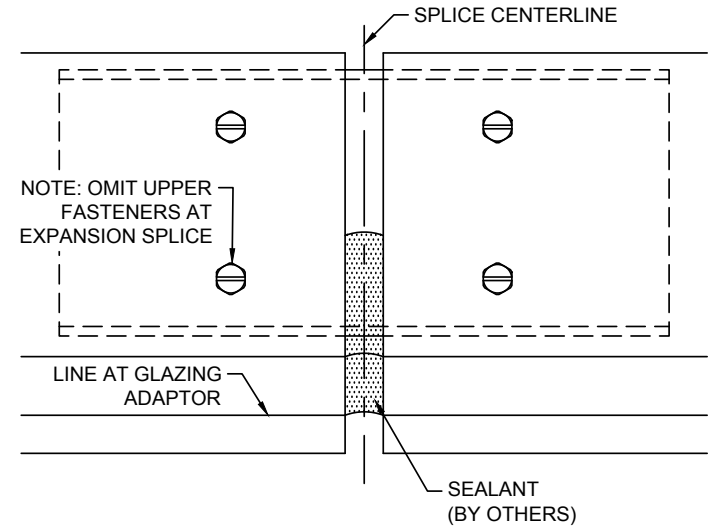
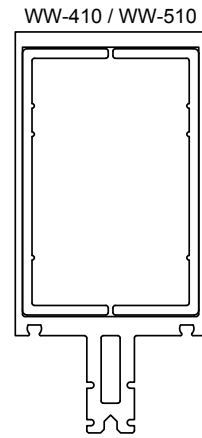
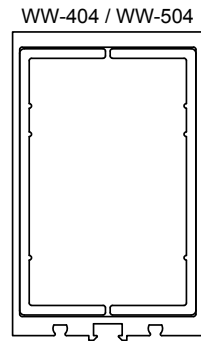
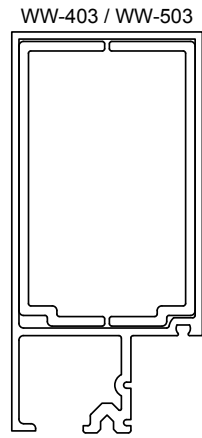
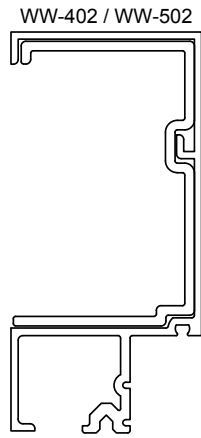
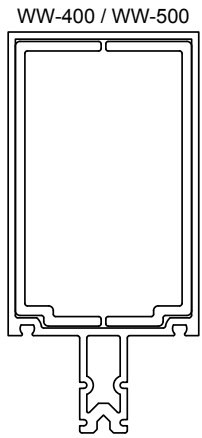
SEE APPROVED SHOP DRAWINGS FOR SPECIFIC REQUIREMENTS.

REF. INSTALLATION MANUAL FOR ADDITIONAL INFO.



STEEL REINFORCING CHART	
A	RS-19 (1 9/16" X 4 13/16" 10 GA.)
B	PP-16 (1 1/2" X 4 1/4" 10 GA.)
C	PP-17 (1 5/16" X 3 3/4" 10 GA.)
D	RS-18 (1 7/8" X 4 11/16" 10 GA.)
E	RS-22 (1 9/16" X 3 9/16" 10 GA.)
F	RS-21 (1 1/2" X 3" 10 GA.)
G	RS-23 (1 7/8" X 3 7/16" 10 GA.)
H	STEEL BAR OPTION (BY OTHERS)
J	1/4"-20 X 3" HEX HEAD BOLT 1/4"-20 HEX NUT & WASHERS
K	FS-259 (1/4"-20 X 1" PFH)

Reliance™ Curtain Wall Steel Reinforcement - H3430



6" SYSTEM DEPTH	
MULLION	SPLICE
WW-400	WW-193-01
WW-402	WW-293-01
WW-403	WW-193-01
WW-404	WW-192-01
WW-410	WW-192-01
WW-230	WW-190-01
WW-240	WW-191-01
WW-241	WW-202-01

7-1/4" SYSTEM DEPTH	
MULLION	SPLICE
WW-500	WW-194-01
WW-502	WW-294-01
WW-503	WW-194-01
WW-504	CW-74
WW-510	CW-74
WW-230	WW-190-01
WW-240	WW-191-01
WW-241	WW-202-01

REFERENCE INSTALLATION MANUAL FOR ADDITIONAL SPLICE INFO.

Reliance™ Curtain Wall Mullion Splice - H3443