

# Oldcastle BuildingEnvelope®

1-866-Oldcastle (653-2278) - [www.obe.com](http://www.obe.com)

## RELIANCE™ CURTAIN WALL W/ FRP PRESSURE PLATES 2-1/2" X 10-3/8" / 1" GLAZING

### Elevation

#### Misc. Details

H0042	Steel Anchoring
H3146	Spandrel Glazing Options
H3148	Vision Glazing Options
H3625	'F' & 'T' Mullion Anchoring
H3630	Steel Reinforcement
H3643	Mullion Splicing

#### Horizontal Details

H3301	Head
H3304	Sill
H3305	Intermediate Horizontal
H3318	Horizontal at Operable Window - Pocket Frame
H3319	Horizontal at Operable Window - Flat Frame

#### Vertical Details

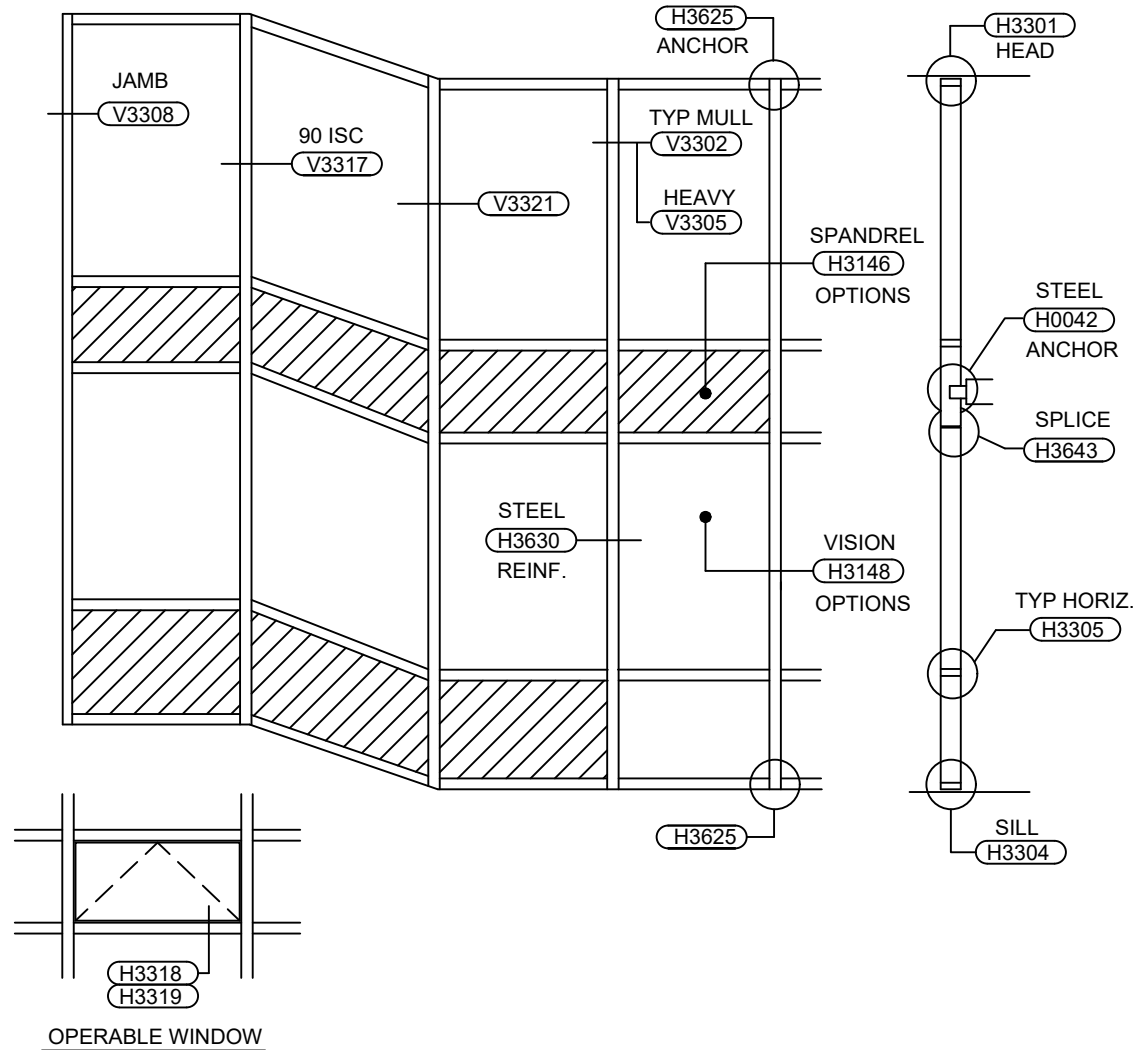
V3302	Typical Vertical
V3305	Heavy Vertical
V3308	Jamb Vertical

#### Corner Details

V3315	90° Outside Corner - 2 Mullion
V3317	90° Inside Corner - 2 Mullion
V3321	90° Outside Corner

## Table of Contents

Note: For Door Models visit : <http://www.obe.com/products/entrances/swing-entrances/standard-ns-212ms-375ws-500-door-and-frame>

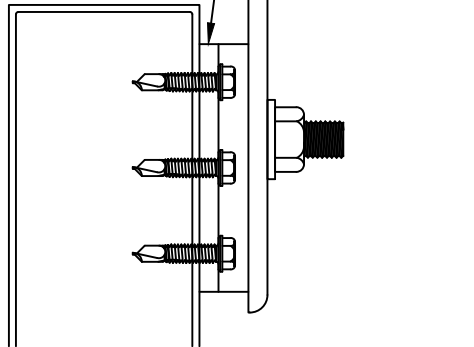


**Reliance™ Curtain Wall w/ FRP Pressure Plate**  
**2-1/2" x 10-3/8" w/ 1" Glazing - Elevation**

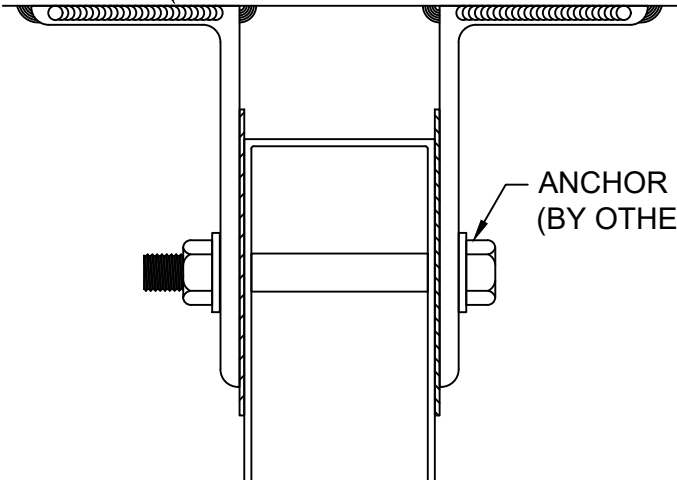
WELD AS REQUIRED BY INSTALLER

FLOOR SLAB OR BEAM

WW-2223 JAMB ANCHOR PLATE  
ATTACH W/ (6) FS-336 (1/4"-20 X  
1-1/8" HWH DRILL FLEX)

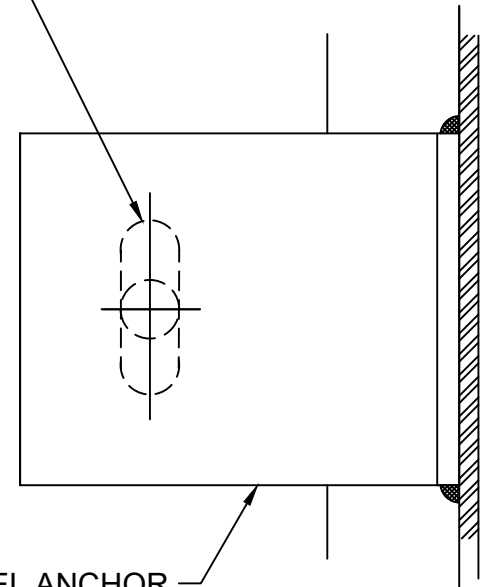


Plan View  
Jamb Option



Plan View  
Intermediate Mullion

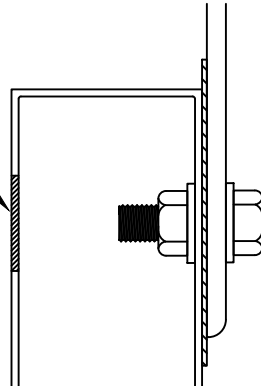
HOLE IN ANCHOR @ DEAD LOAD  
SLOT IN ANCHOR @ WIND LOAD



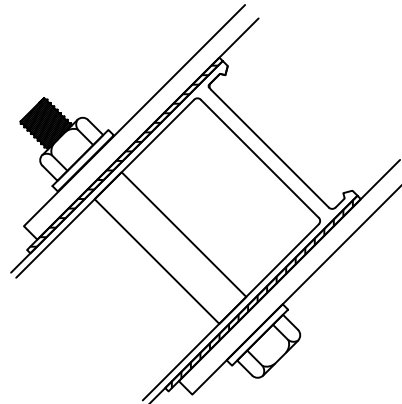
Side View

STEEL ANCHOR  
DESIGN DETERMINED  
BY ENGINEER. SEE  
APPROVED SHOP  
DRAWINGS.

ACCESS HOLE

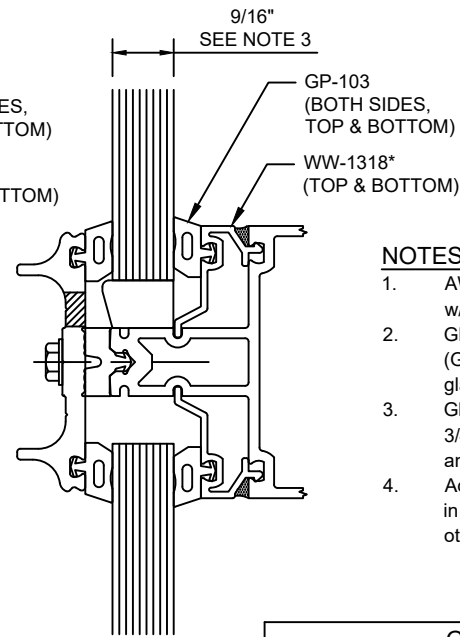
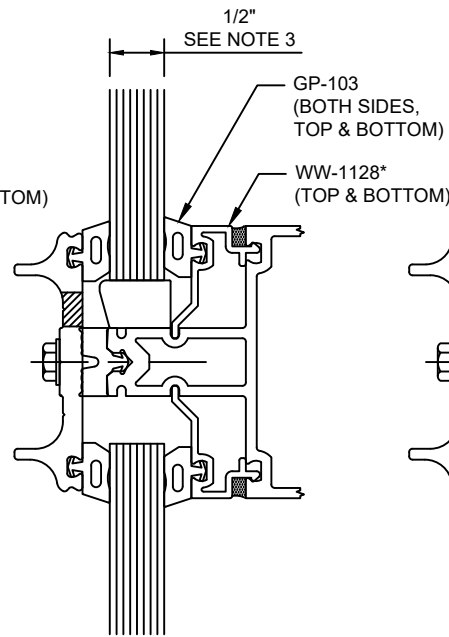
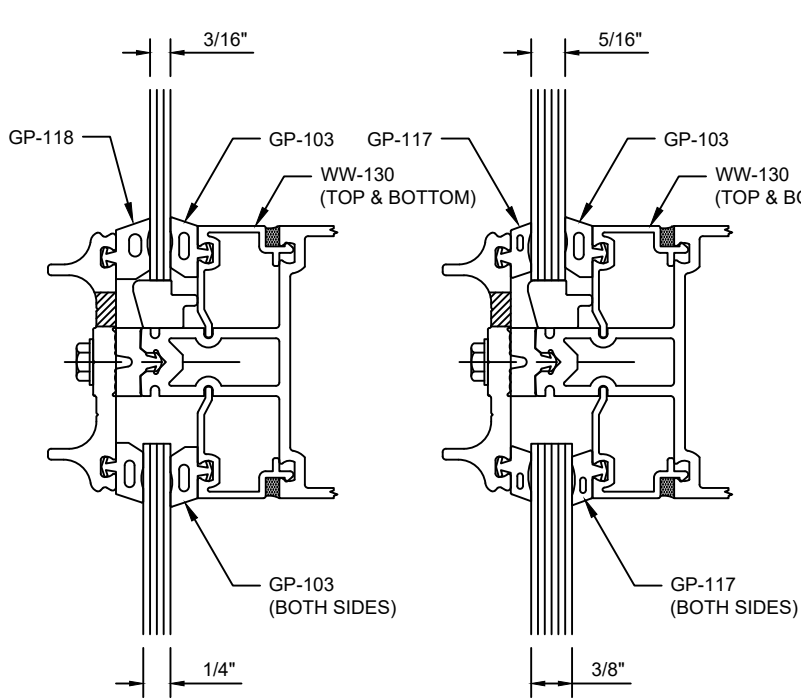


Plan View  
Jamb Option



Plan View  
Single Mull Corners

## Standard Curtain Wall Steel Anchor - H0042

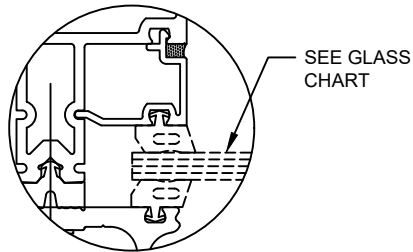


**NOTES:**

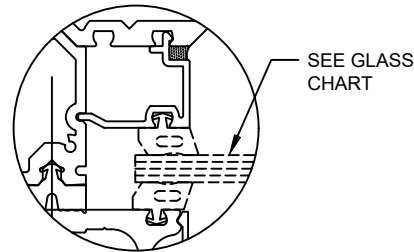
1. AW-162 FRP pressure plate w/ GP-107 isolator typical  
GP-110 setting block typical, (GP-126 at 1/2" and 9/16" glazing)
2. Glass pocket with adaptor = 3/4" (1" glass pocket at 1/2" and 9/16" glazing)
3. Glass pocket with adaptor = 3/4" (1" glass pocket at 1/2" and 9/16" glazing)
4. Adaptors/glazing beads set in sealant (sealant by others).

GLASS CHART			
GLAZING THICKNESS	GASKET EXTERIOR	GASKET INTERIOR	GLAZING ADAPTOR
3/16" (.1875)	GP-118	GP-103	WW-130
1/4" (.250)	GP-103	GP-103	WW-130
5/16" (.3125)	GP-117	GP-103	WW-130
3/8" (.375)	GP-117	GP-117	WW-130
1/2" (.500)	GP-103	GP-103	*WW-1128
9/16" (.5625)	GP-103	GP-103	*WW-1318

\*Non-stock item

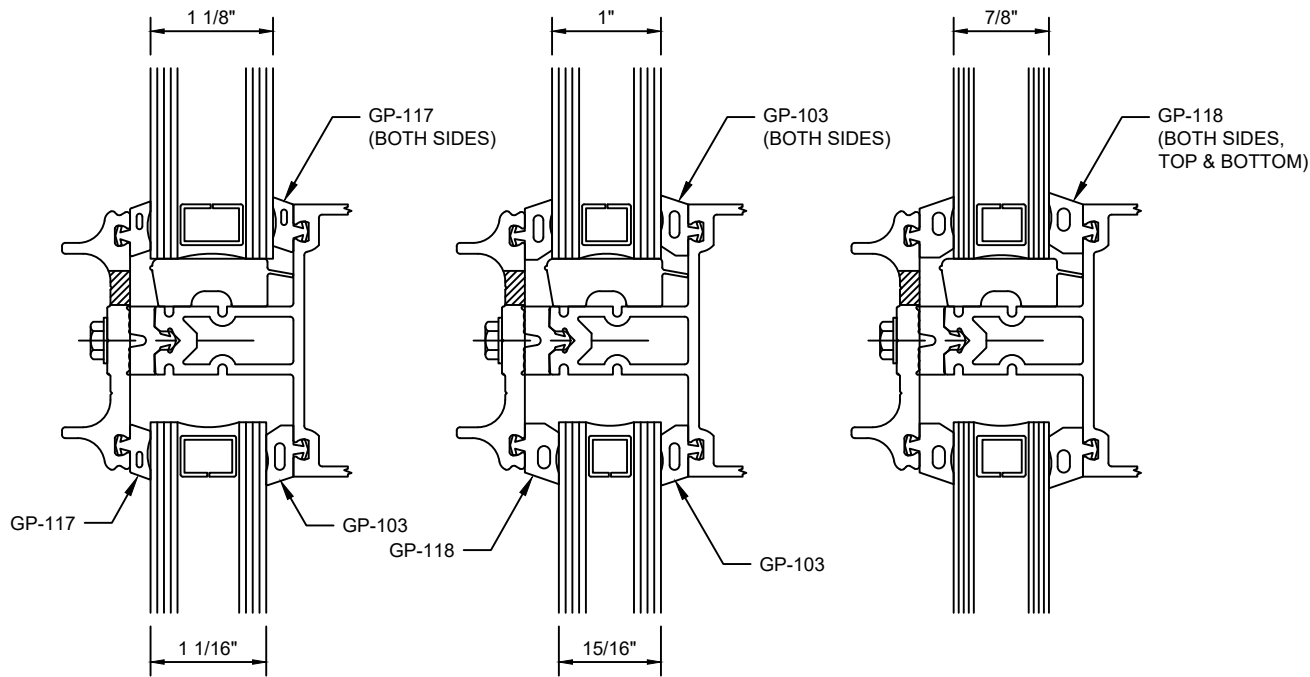


JAMB



90° OUTSIDE CORNER

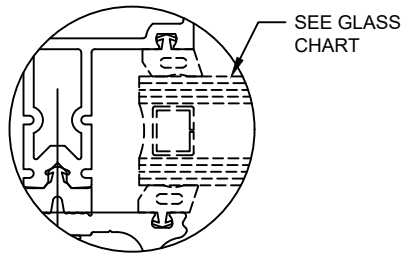
## Reliance™ Curtain Wall w/ FRP Pressure Plate Glazing Adaptors & Spandrel Options - H3146



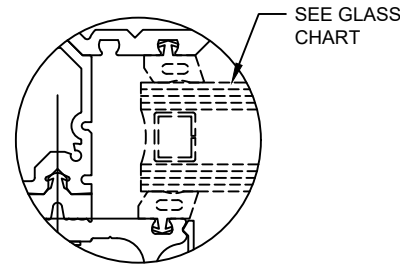
GLASS CHART		
GLAZING THICKNESS	GASKET EXTERIOR	GASKET INTERIOR
7/8" (0.875)	GP-118	GP-118
15/16" (0.9375)	GP-118	GP-103
1"	GP-103	GP-103
1-1/16" (1.0625)	GP-117	GP-103
1-1/8" (1.125)	GP-117	GP-117

**NOTES:**

1. AW-162 FRP pressure plate w/ GP-107 isolator typical
2. GP-109 setting block typical
3. Glass Pocket = 1-1/2" (typical)



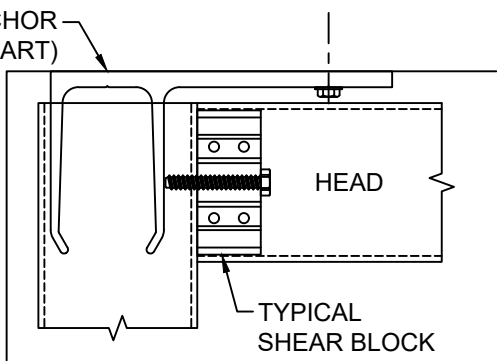
VERTICAL MULLION



90° OUTSIDE CORNER

**Reliance™ Curtain Wall w/ FRP Pressure Plate  
Vision Glass Options - H3148**

"F" ANCHOR  
(SEE CHART)

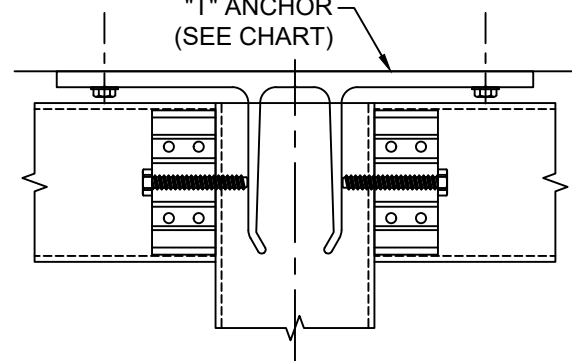


JAMB

TYPICAL  
SHEAR BLOCK

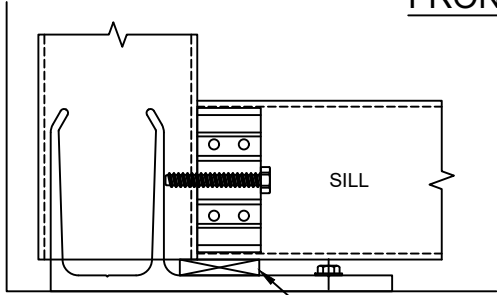
HEAD

"T" ANCHOR  
(SEE CHART)



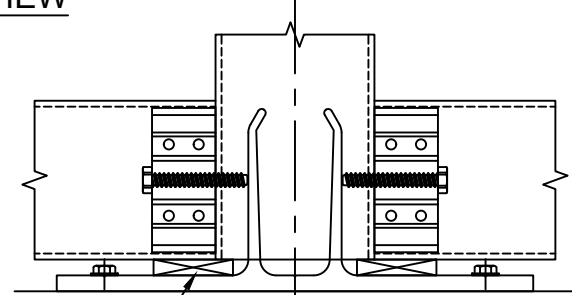
MULLION

FRONT VIEW



SILL

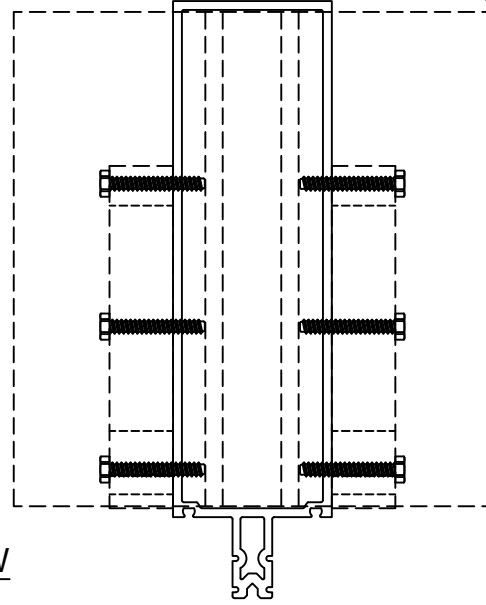
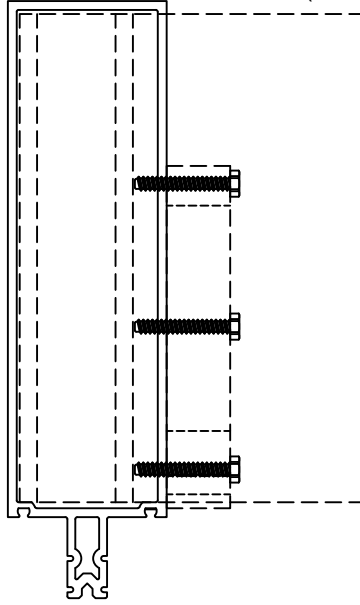
SHIM UNDERNEATH MULLION  
(BY OTHERS)



ANCHOR BOLT  
(SEE NOTE)

"F" ANCHOR CHART	
PART NO.	MULLION
WW-106-01	WW-800 / WW-804 / WW-850
WW-106-02	WW-810

"T" ANCHOR CHART	
PART NO.	MULLION
WW-105-01	WW-800 / WW-804 / WW-850
WW-105-02	WW-810
WW-105-06	WW-1175 (90° OUTSIDE CORNER)



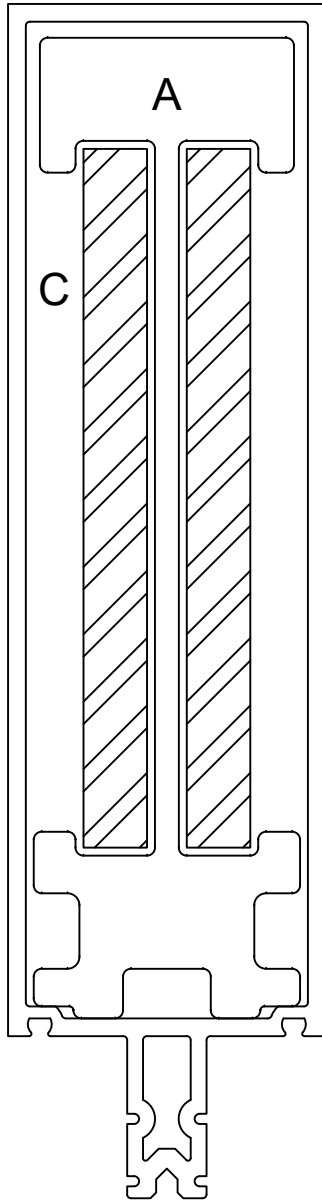
PLAN VIEW

NOTE:

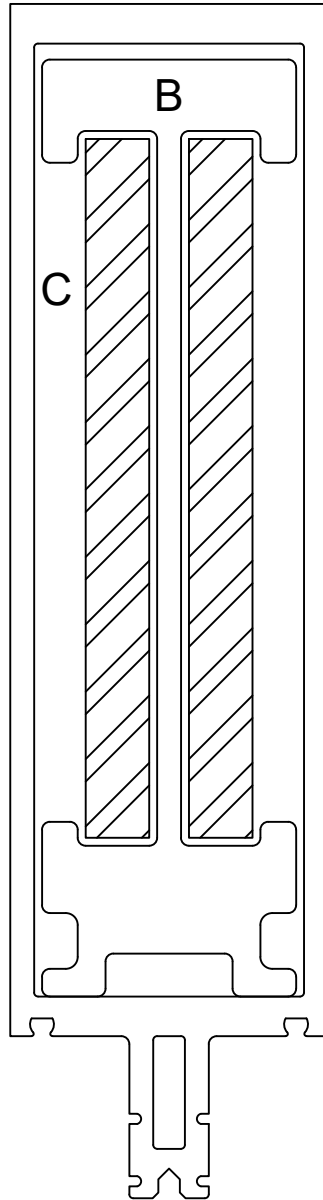
1. ANCHOR BOLT SIZE, QUANTITY AND LOCATION DETERMINED BY STRUCTURAL ENGINEER

## Reliance™ Curtain Wall "F" & "T" Anchors - H3625

WW-810 MULLION



WW-800 / WW-804 MULLION

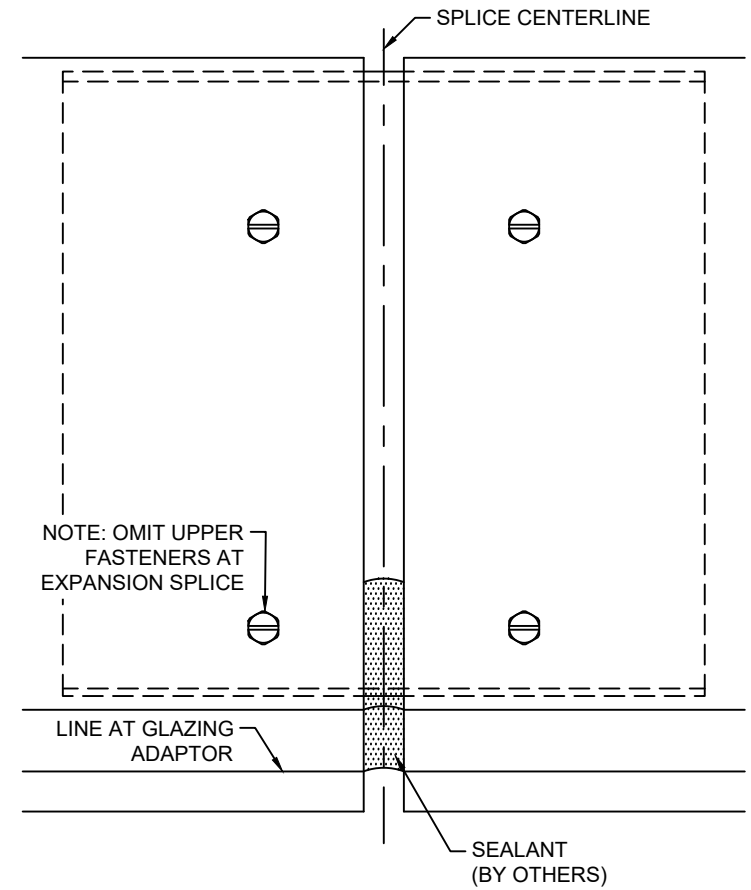
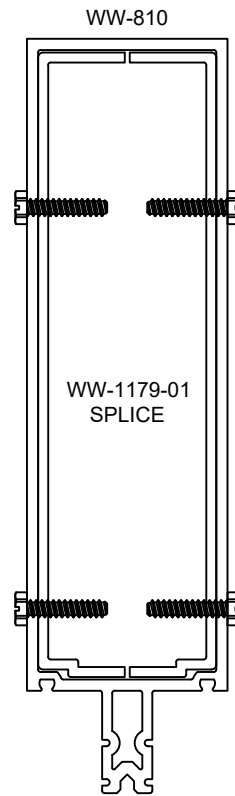
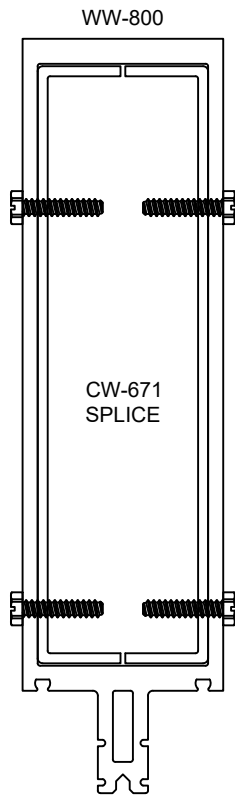
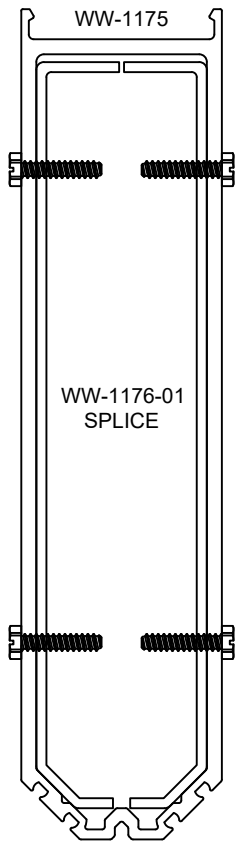


STEEL REINFORCING CHART	
A	WW-209 ALUM. REINFORCING
B	WW-201 ALUM. REINFORCING
C	RS-20 (5-1/2" X 1/2" X 10' LG. STEEL BAR

SEE APPROVED SHOP DRAWINGS FOR SPECIFIC REQUIREMENTS.

REF. INSTALLATION MANUAL FOR ADDITIONAL INFO.

**Reliance™ Curtain Wall**  
**Steel Reinforcement - H3630**

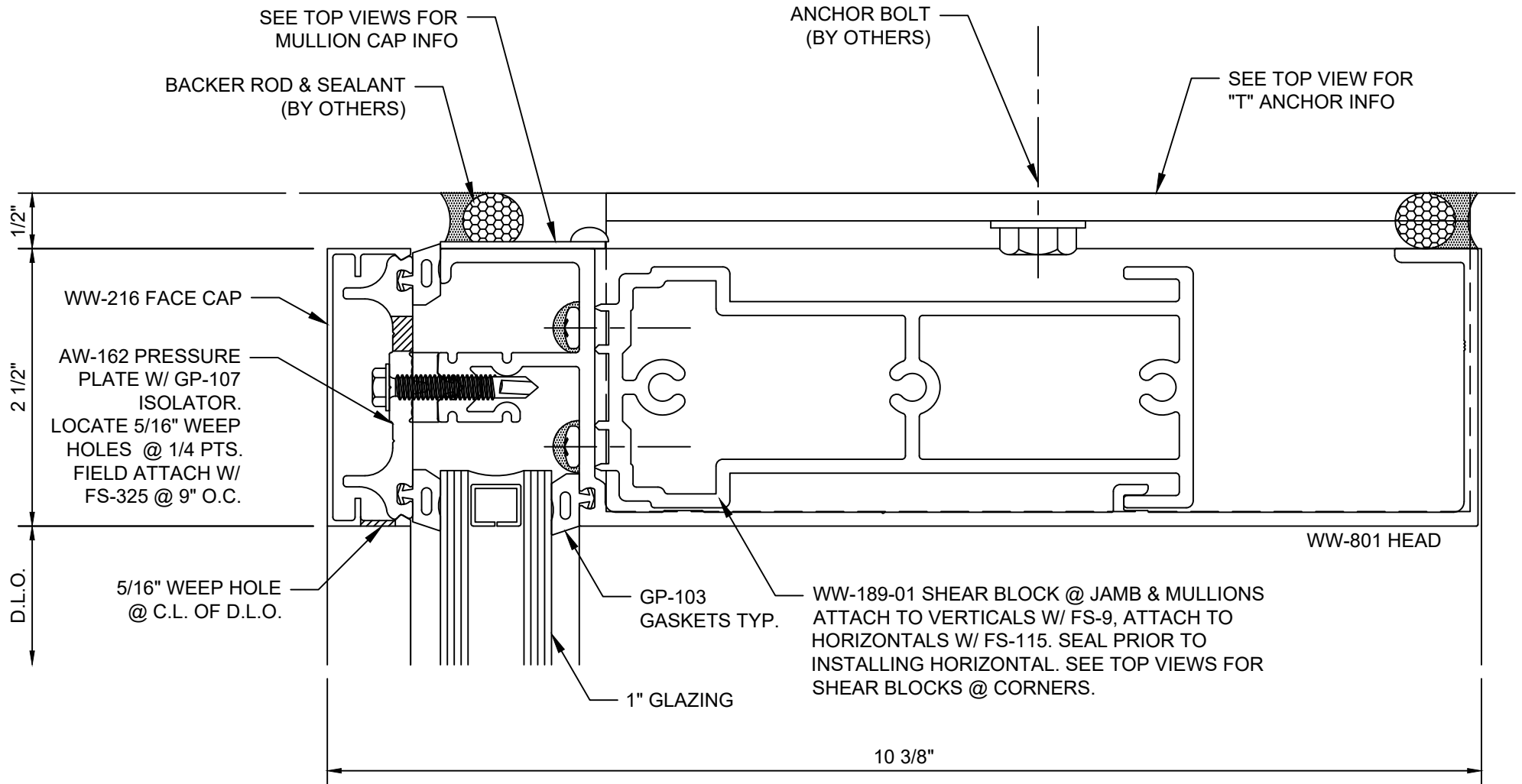


10-1/8" SYSTEM DEPTH	
MULLION	SPLICE
WW-800	CW-671
WW-810	WW-1179-01
WW-1175	WW-1176-01

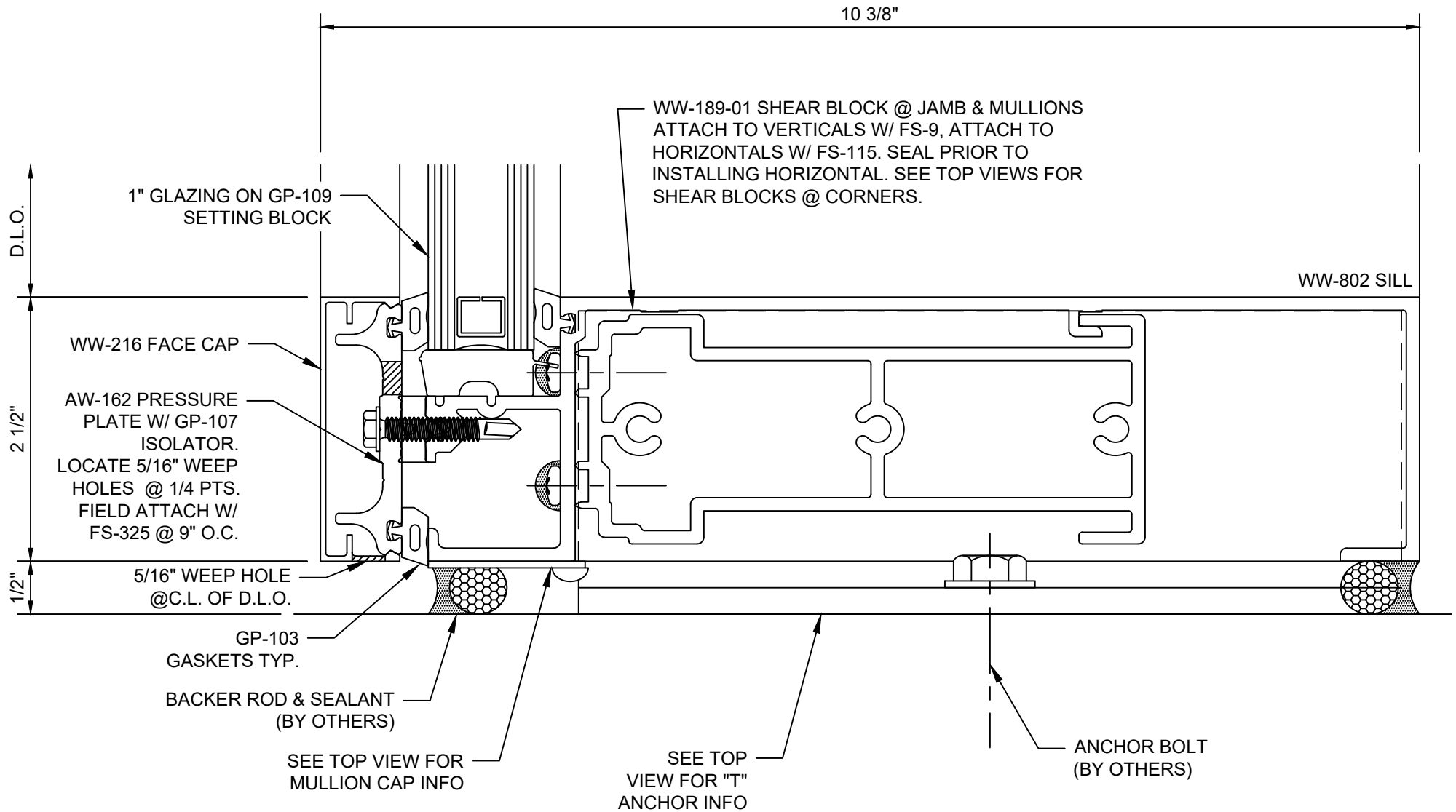
REFERENCE INSTALLATION MANUAL FOR ADDITIONAL SPLICE INFO.

## Reliance™ Curtain Wall Mullion Splice - H3643

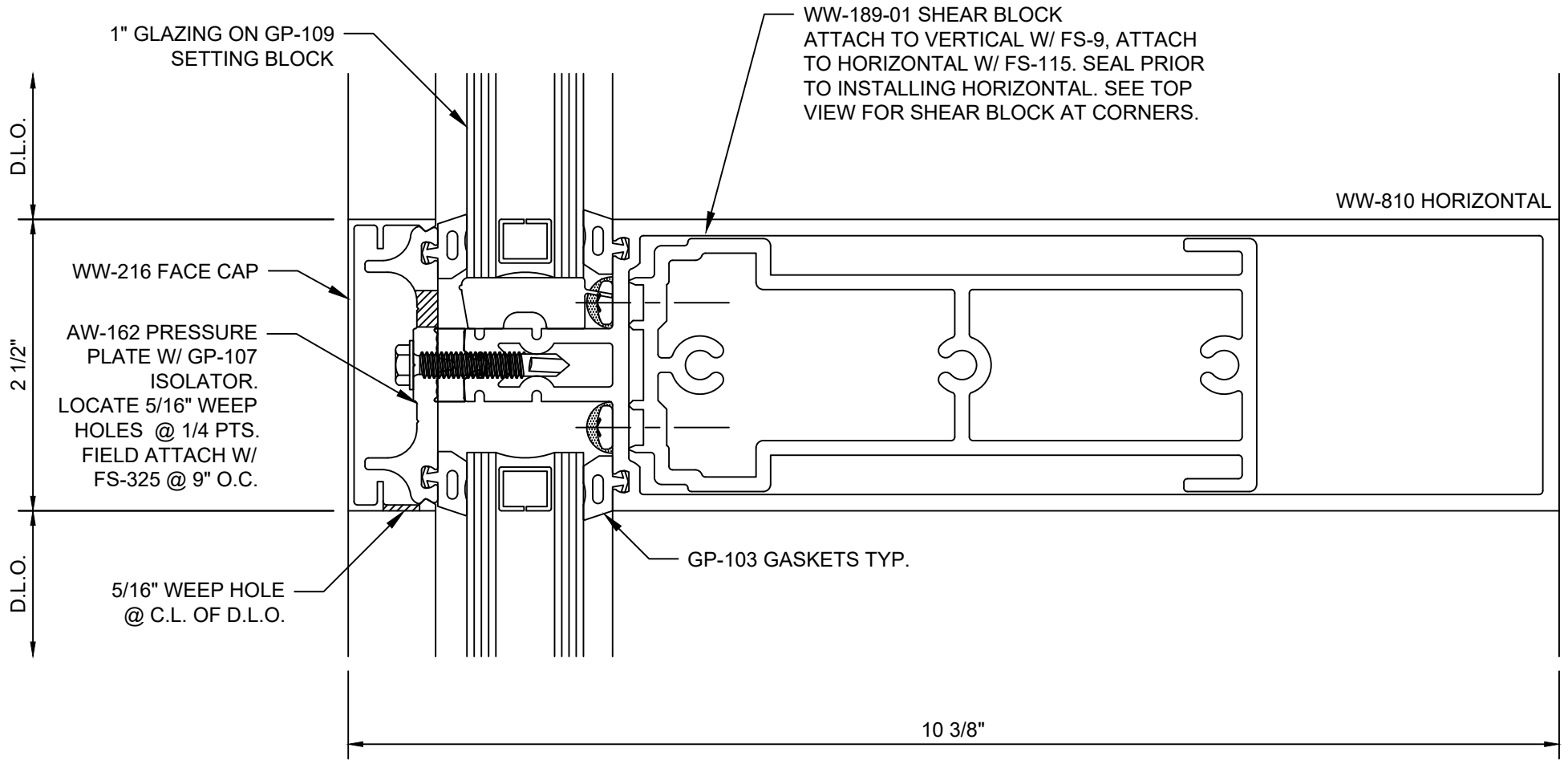




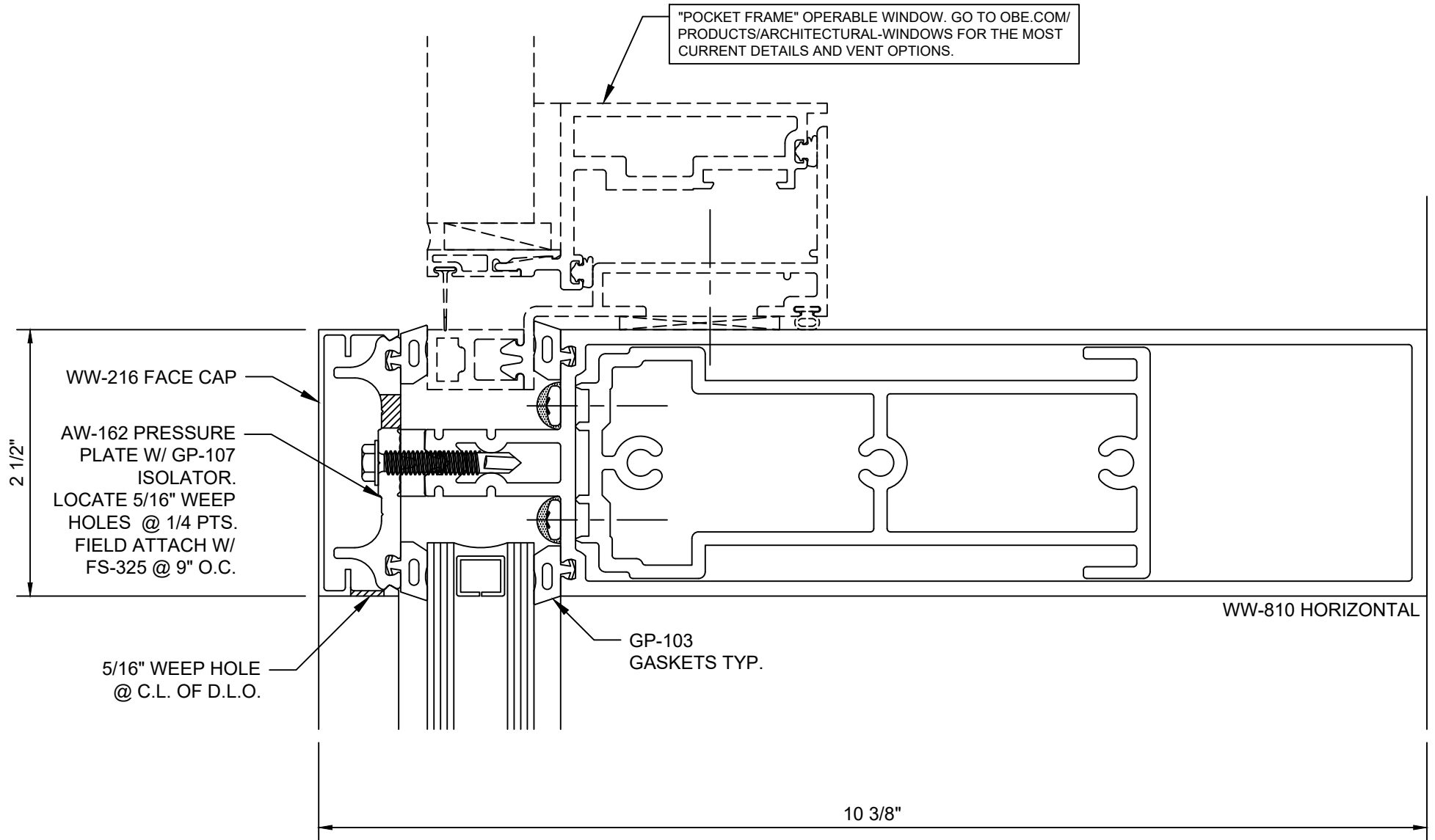
**Reliance™ Curtain Wall w/ FRP Pressure Plate Head at Vision - H3301**



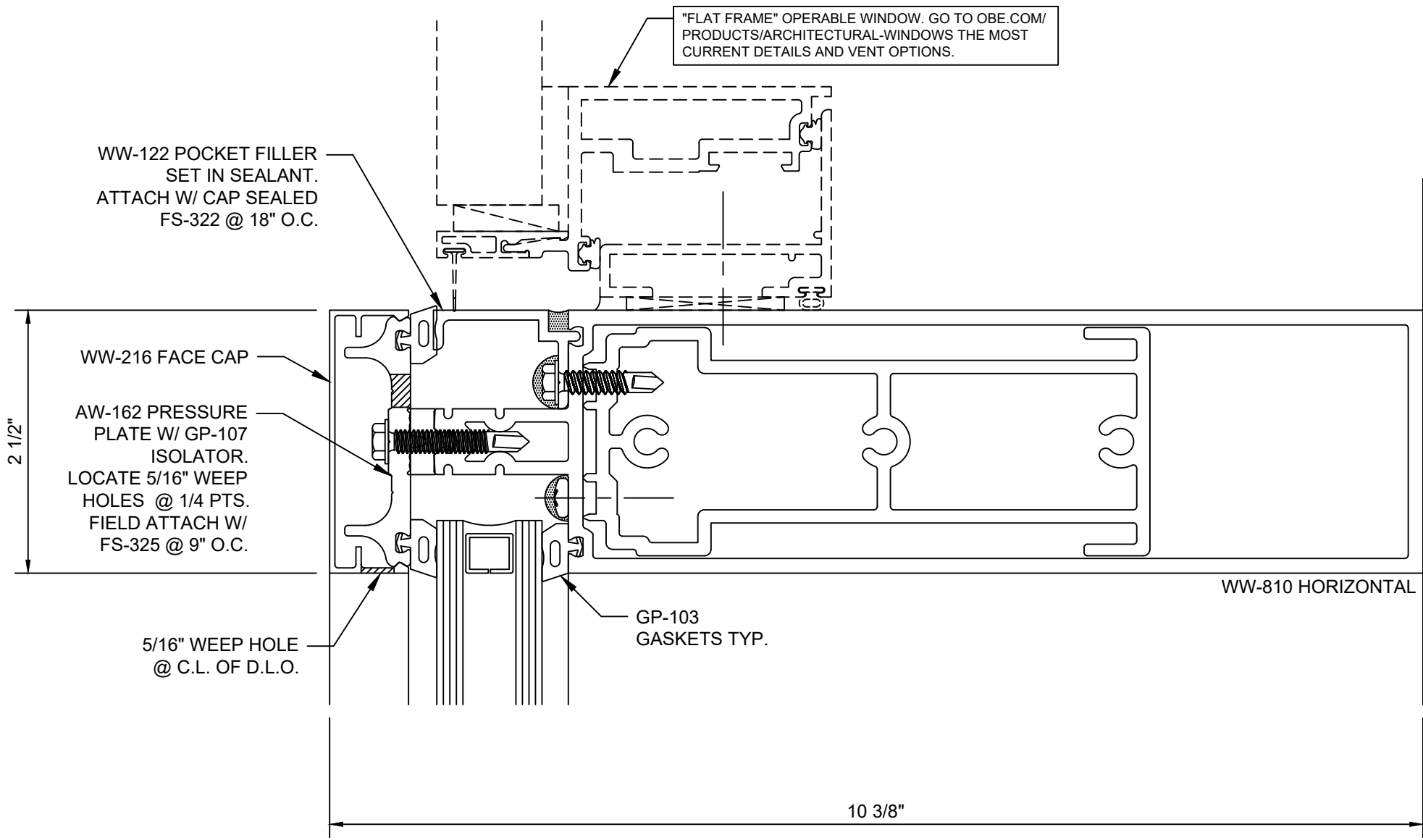
**Reliance™ Curtain Wall w/ FRP Pressure Plate**  
**Sill at Vision - H3304**



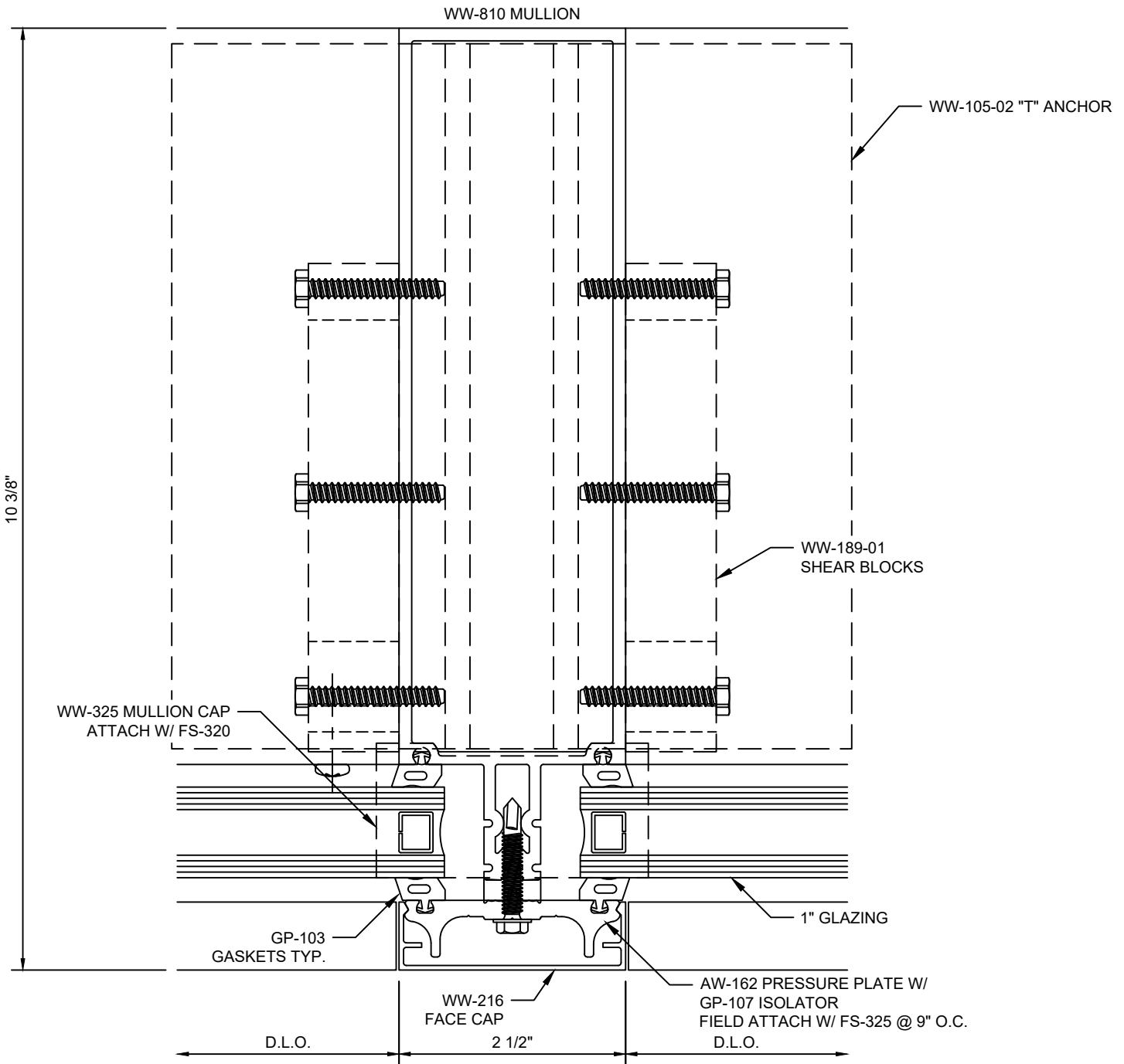
**Reliance™ Curtain Wall w/ FRP Pressure Plate  
Intermediate Horizontal at Vision - H3305**



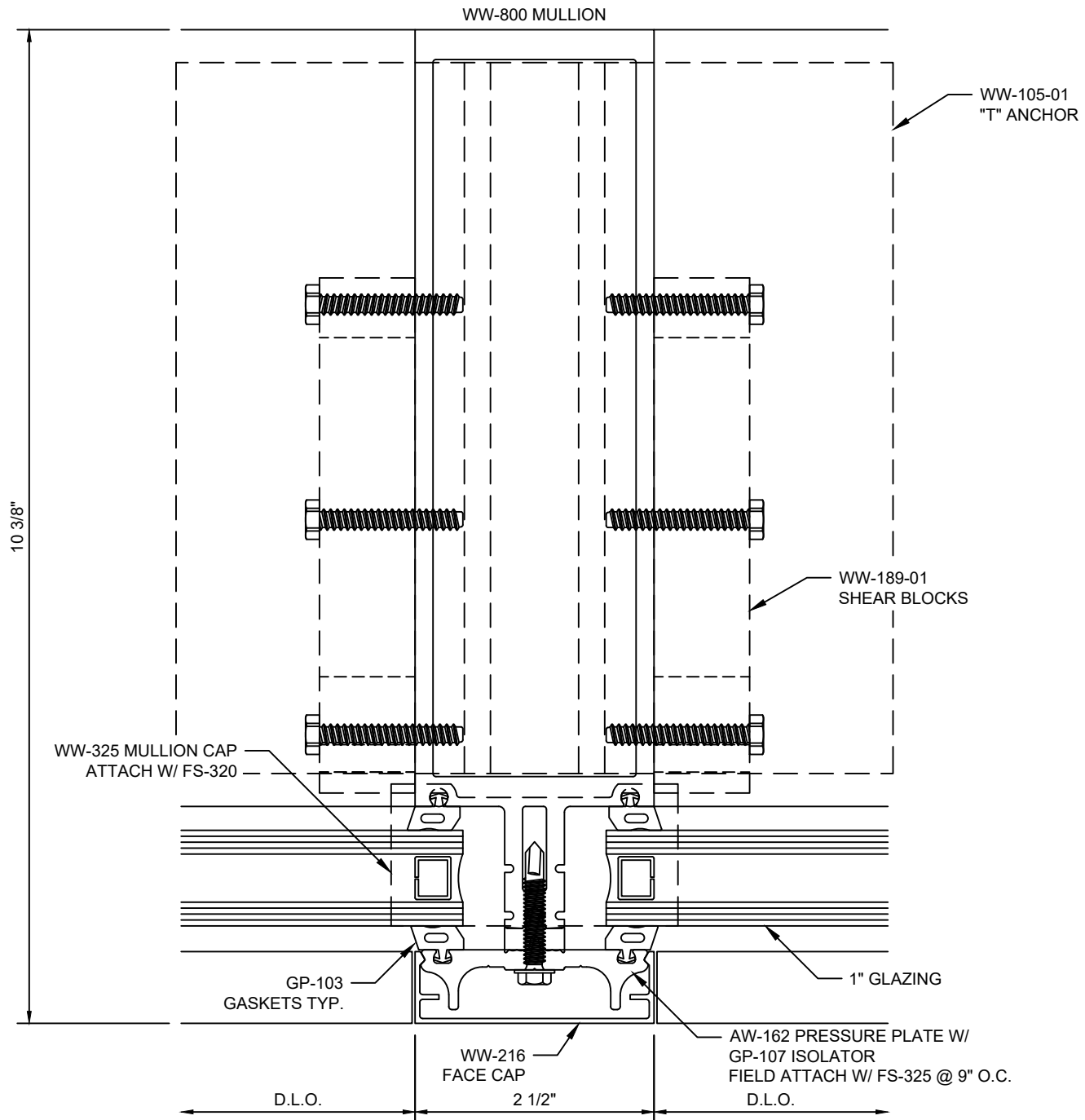
**Reliance™ Curtain Wall w/ FRP Pressure Plate  
Horizontal at Operable Window - H3318**



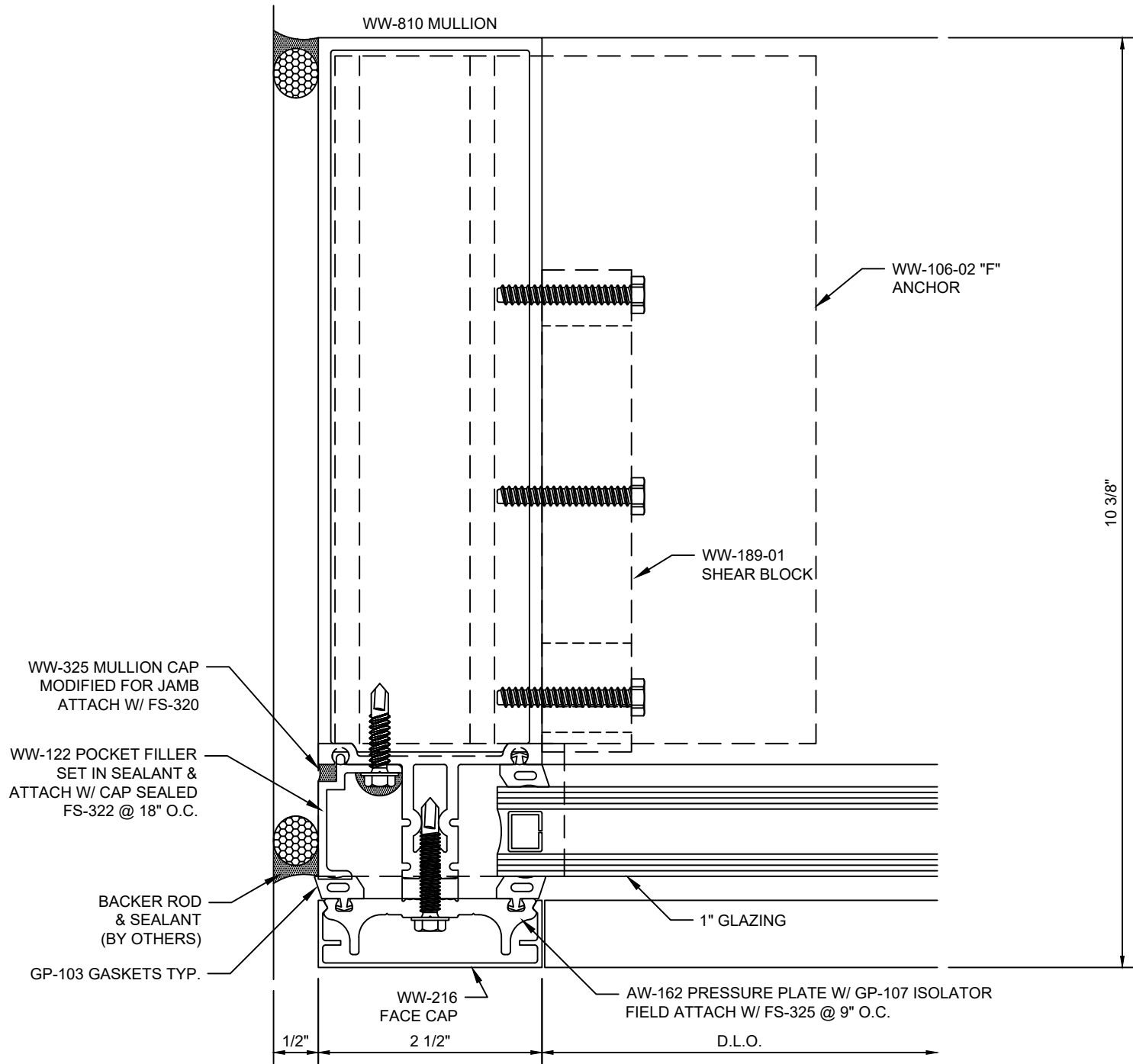
**Reliance™ Curtain Wall w/ FRP Pressure Plate  
Horizontal at Operable Window - H3319**



**Reliance™ Curtain Wall w/ FRP Pressure Plate**  
**Typical Vertical Mullion - V3302**

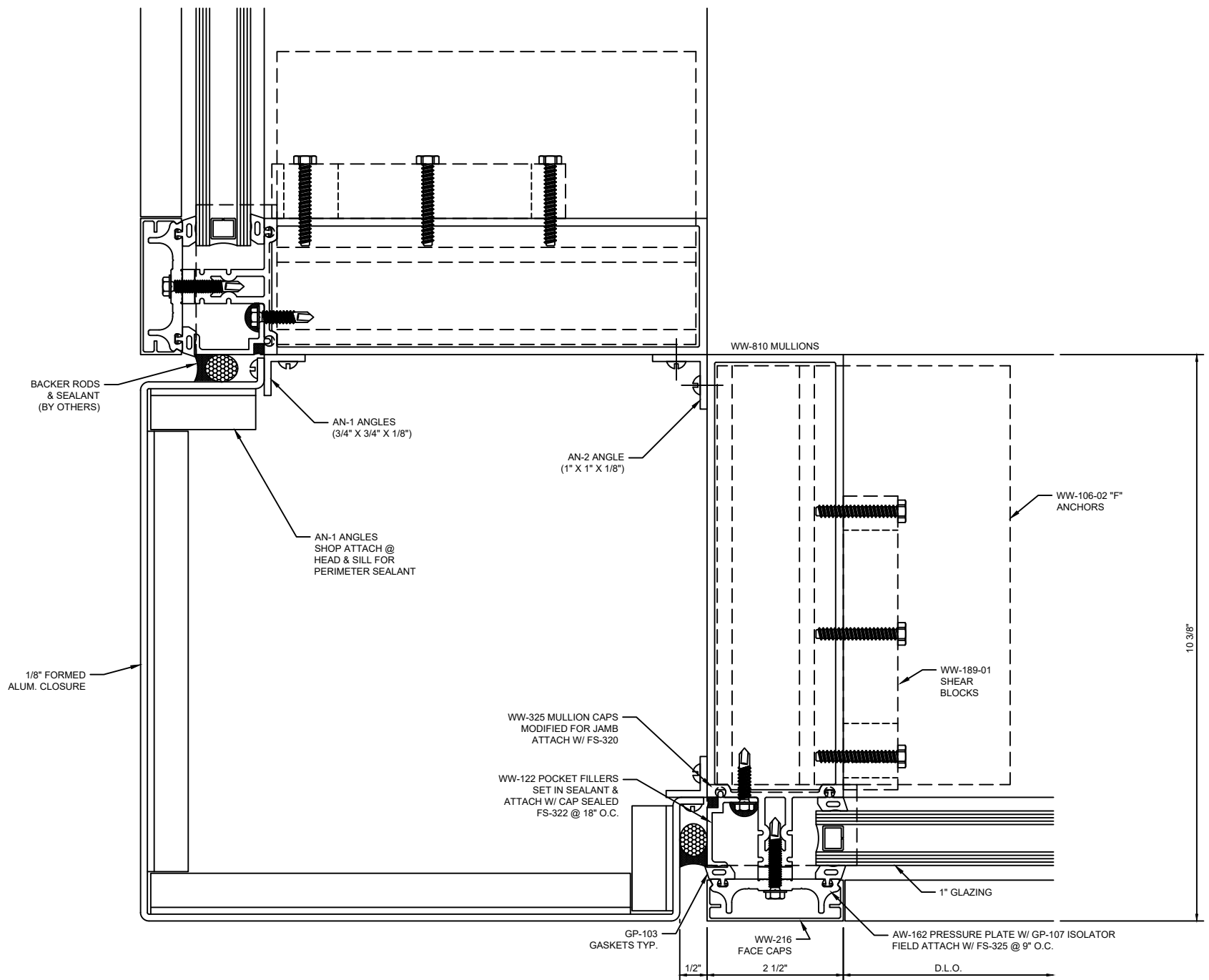


**Reliance™ Curtain Wall w/ FRP Pressure Plate  
Heavy Vertical Mullion - V3305**

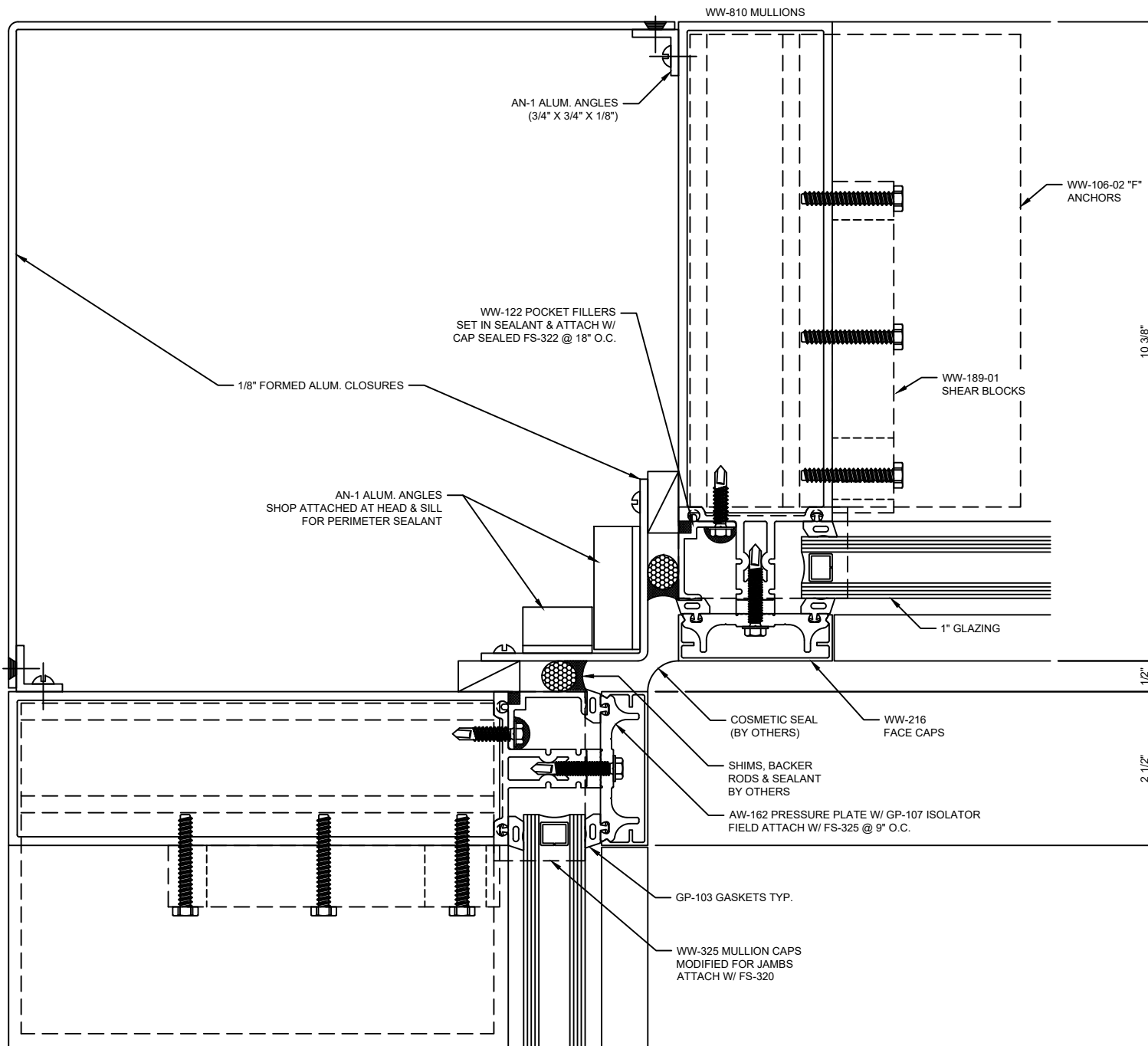


## Reliance™ Curtain Wall w/ FRP Pressure Plate Jamb Vertical - V3308

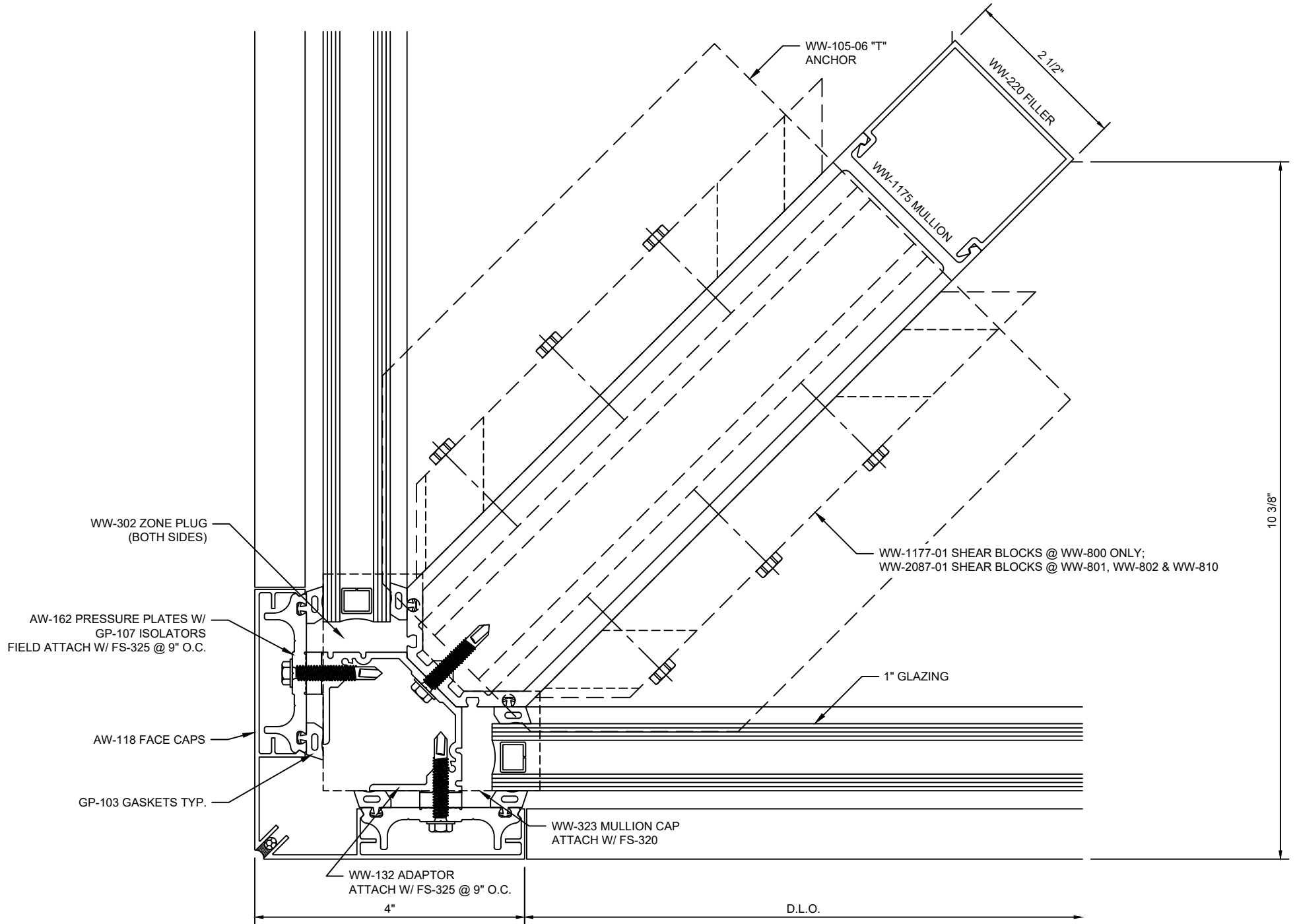




## Reliance™ Curtain Wall w/ FRP Pressure Plate 90° Outside Corner - V3315



**Reliance™ Curtain Wall w/ FRP Pressure Plate**  
**90° Inside Corner - V3317**



**Reliance™ Curtain Wall w/ FRP Pressure Plate  
90° Outside Corner at Vision - V3321**