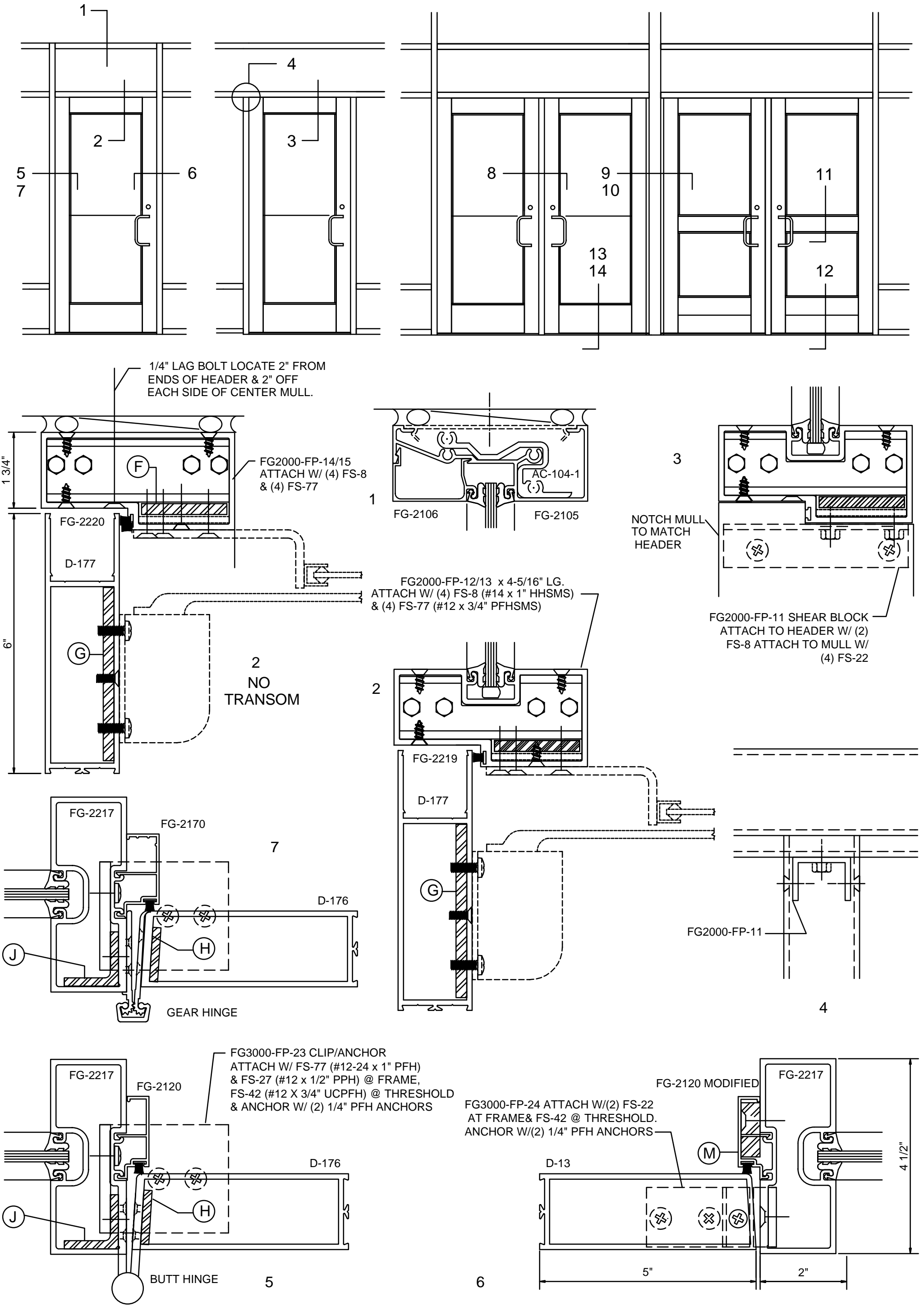


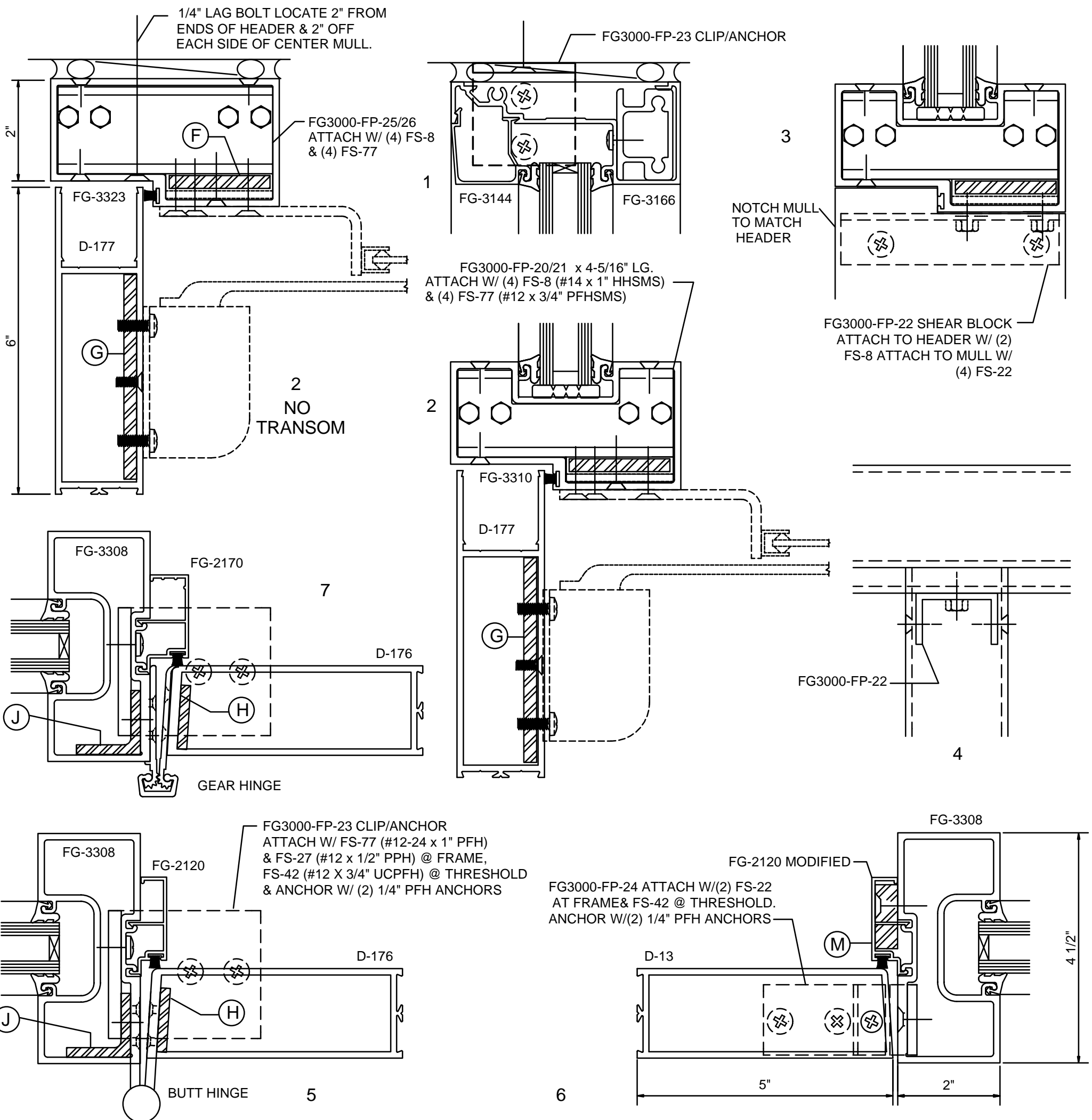
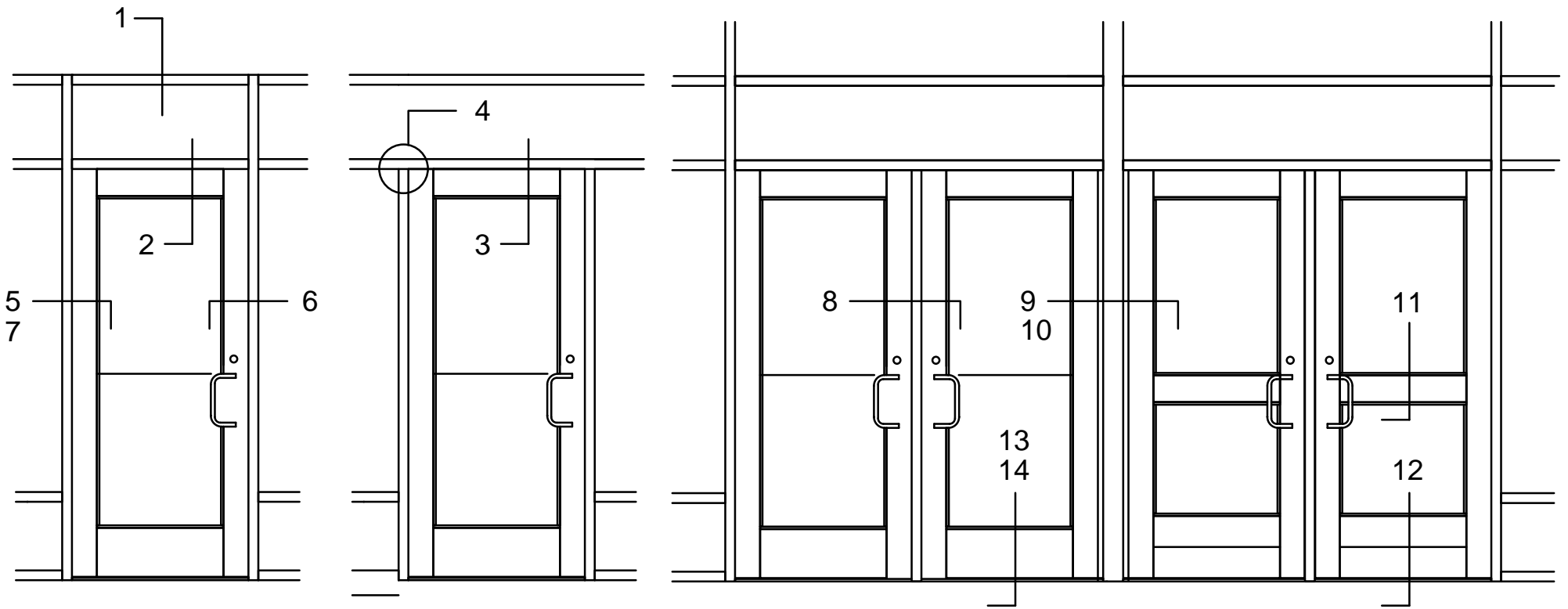
Oldcastle BuildingEnvelope™

***PERFORMMAX WS 500 WIDE STILE DOORS
-FG-1000 - FG-2000 - FG3000 STOREFRONT FRAMES-***

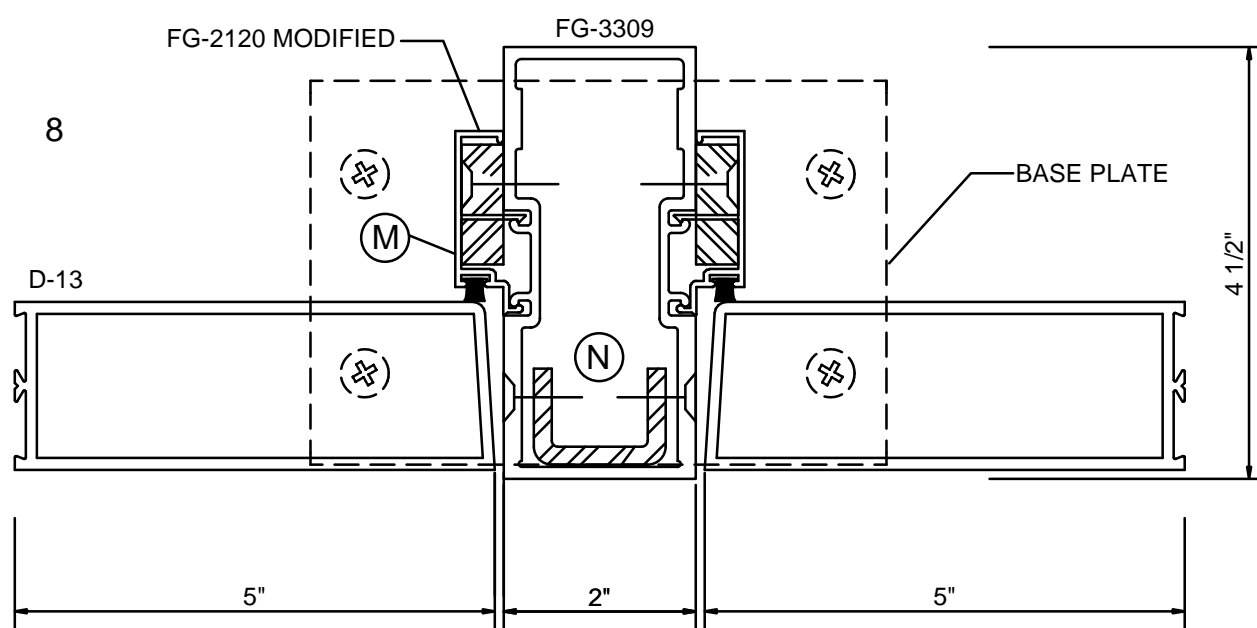
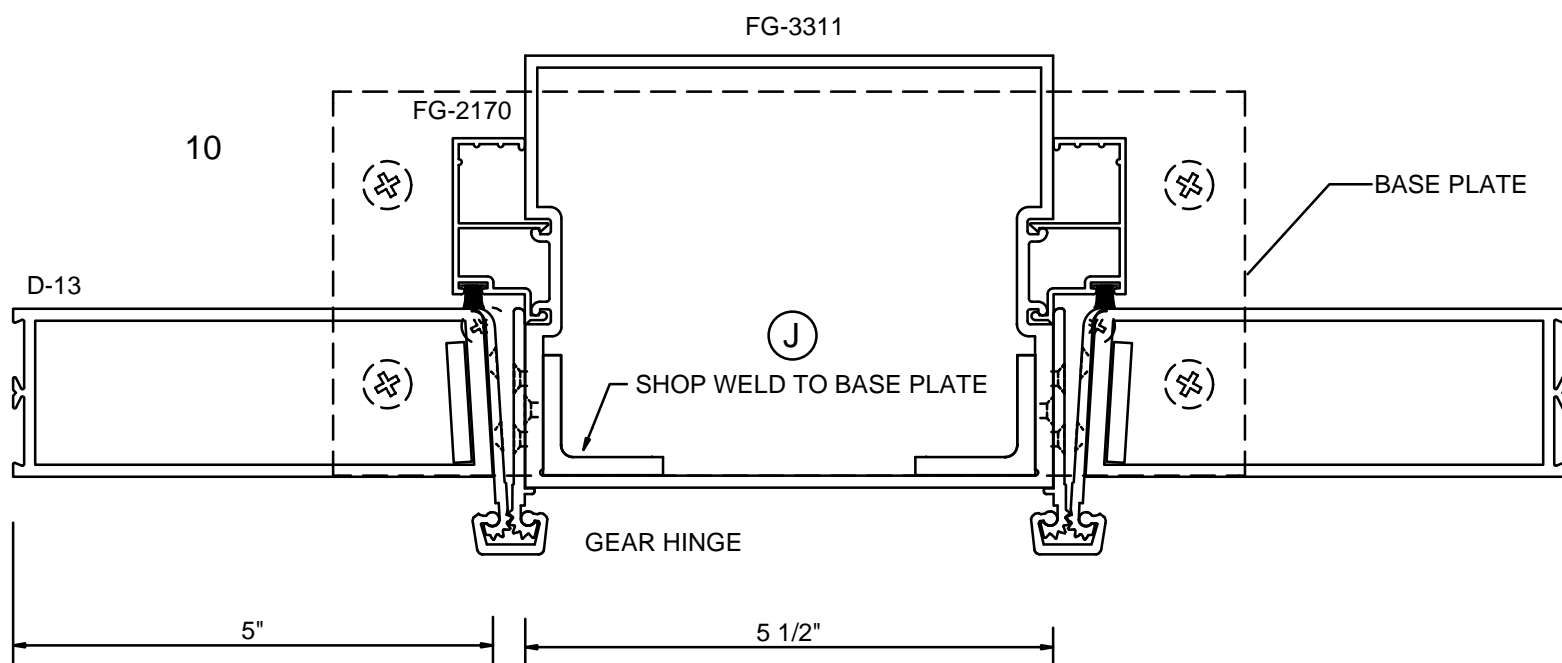
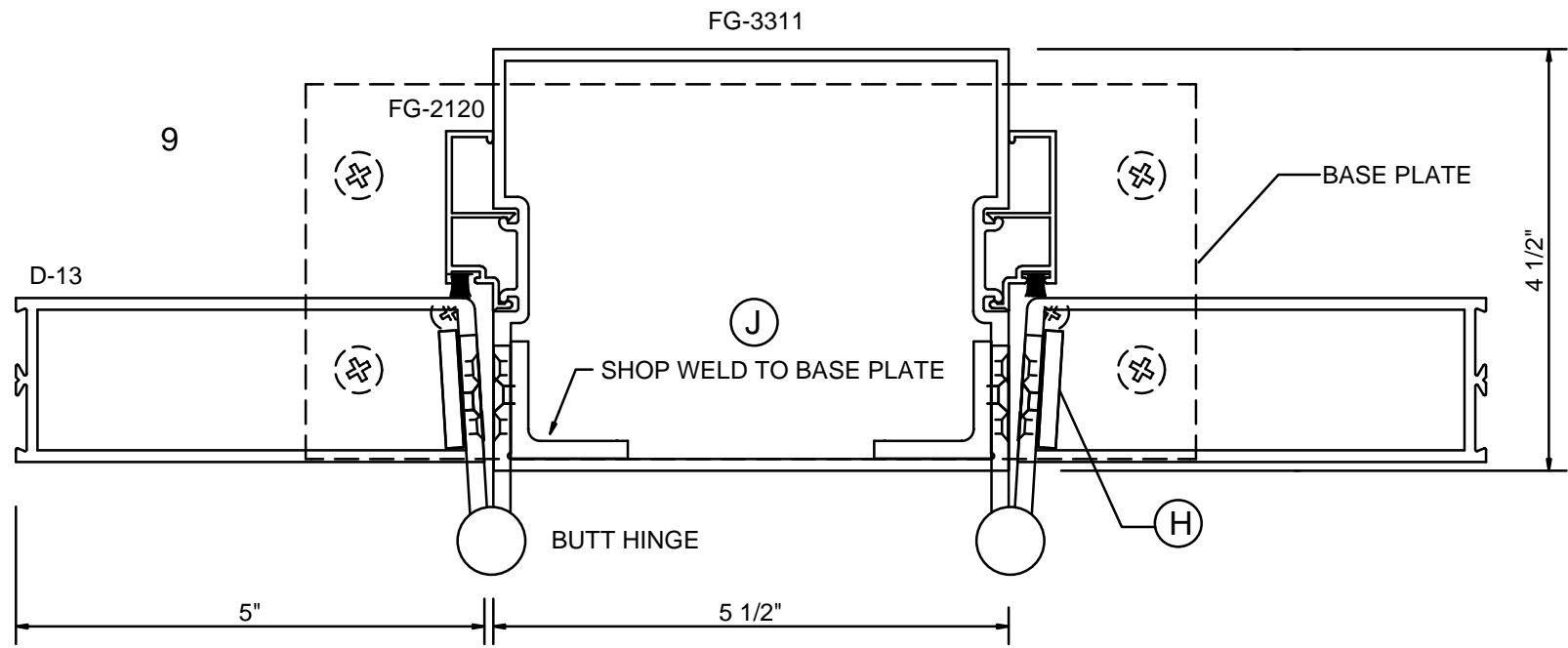
PerformMAX - WS-500 WIDE STILE DOOR - FG-2000 FRAME



PerformMAX - WS-500 WIDE STILE DOOR - FG-3000 FRAME

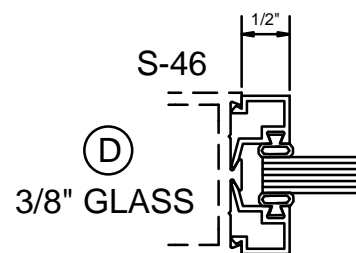
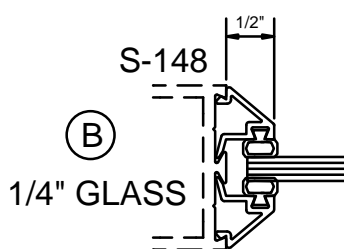
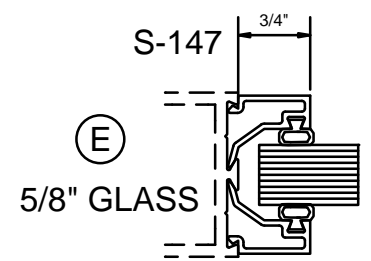
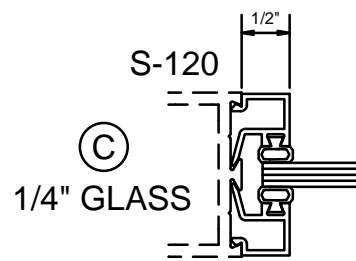
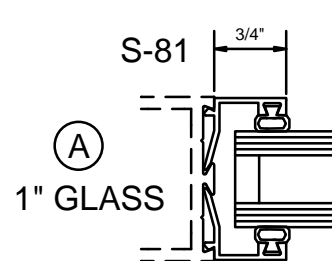


PerformMAX - WS-500 WIDE STILE DOOR - FLUSH GLAZE FRAME



MEETING STILES

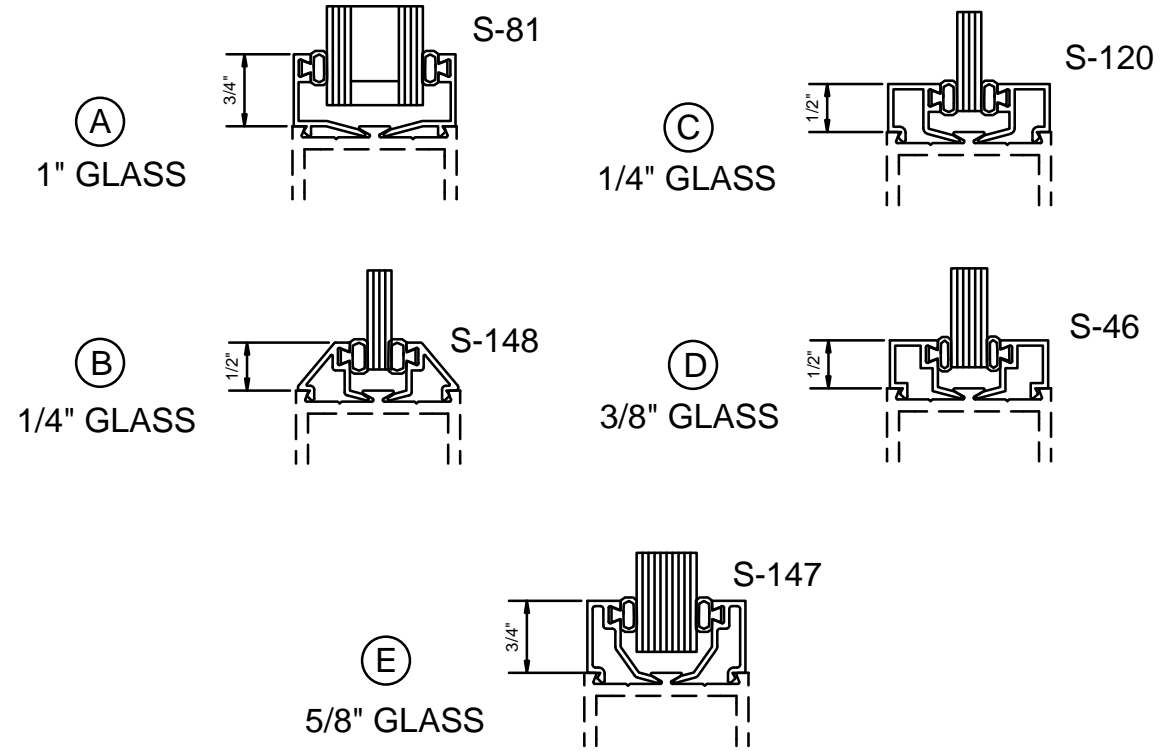
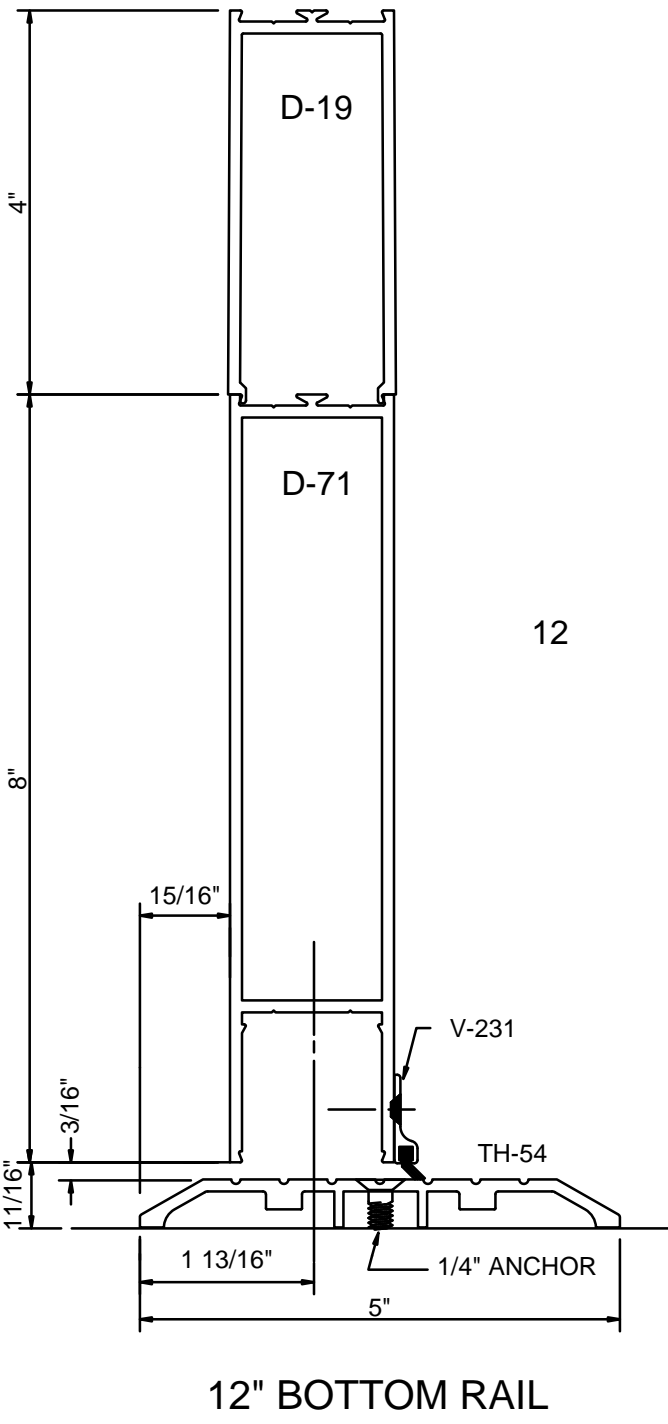
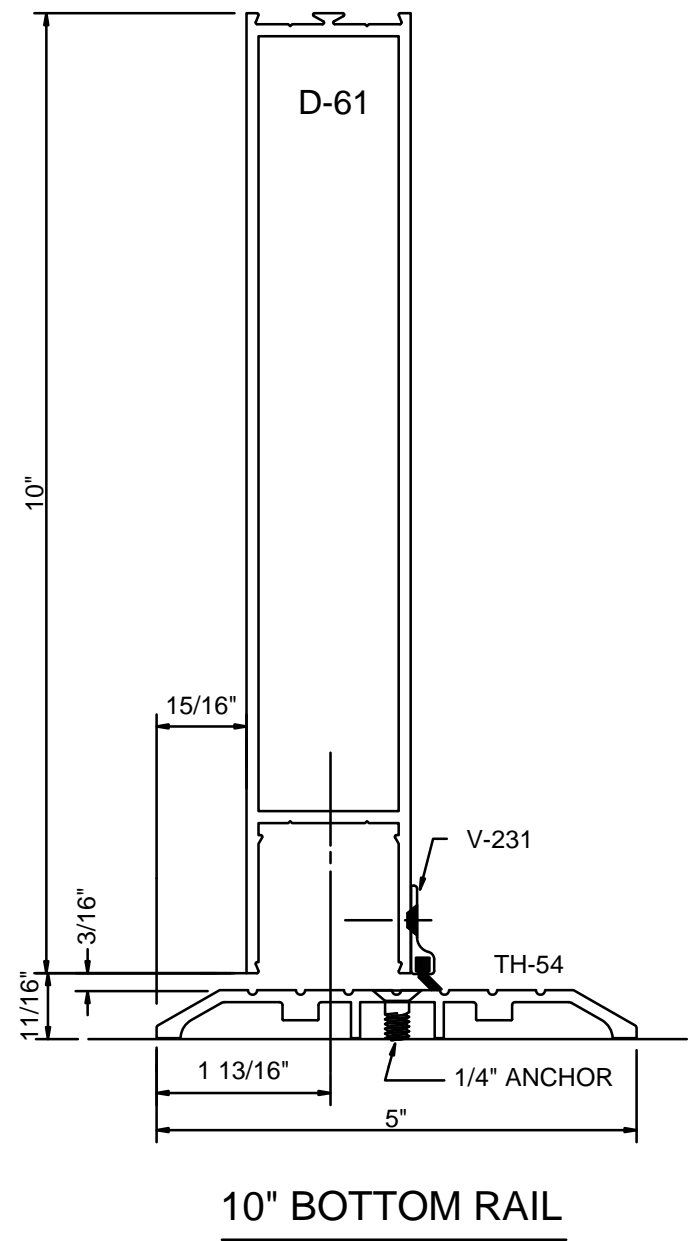
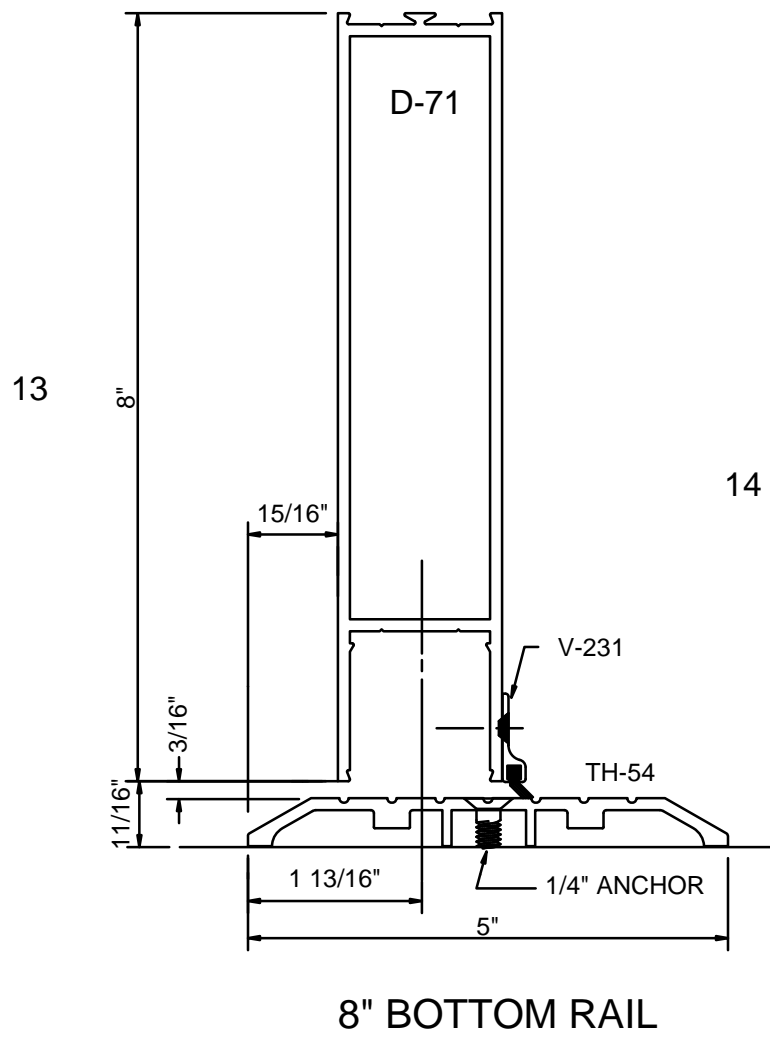
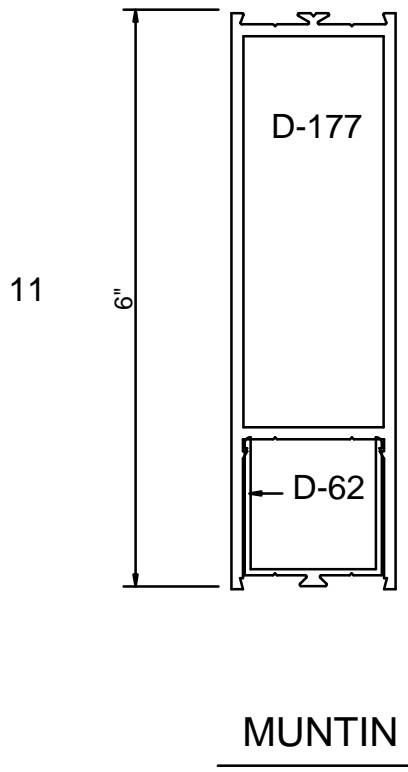
- (F) (RS-104) 1/4" X 2" STEEL BAR ATTACH W/ (3) FS-22
- (G) RS-103 1/4" X 4" CONTINUOUS STEEL BAR ATTACH W/FS-22
- (H) (RS-101) 3/16" X 1 1/4" STL. BAR CONTINUOUS, ATTACH AT HINGES, ENDS & MID POINTS. W/ FS-22 (#12-24 X 1/2" PFHMS)
- (J) (RS-100) 1 1/4" X 1 1/4" X 3/16" STL. ANGLE CONTINUOUS, ATTACH AT HINGE, ENDS AND MID POINTS W/ FS-77 (#12-24 X 3/4" PFHMS)
- (M) RS-105- 1 1/4"X7/16"X3" LG STEEL BAR, LOCATE AT RIM STRIKE PLATE
- (N) RS-102 - 1" x 1 1/4" x 3/16" STL. CHANNEL CONTINUOUS, ATTACH AT 12" O.P. W/FS-77WELD 4" x 6" x 3/16" STL. PLATE AT THRESHOLD FOR ANCHORAGE



GLASS OPTIONS

- (A) Standard
- (B) Standard

PerformMAX - WS-500 WIDE STILE DOOR BOTTOM RAILS / THRESHOLDS AND MUNTINS



- GLASS OPTIONS**
- (A) Standard
 - (B) Standard