

# Oldcastle BuildingEnvelope®

1-866-Oldcastle (653-2278) - [www.obe.com](http://www.obe.com)

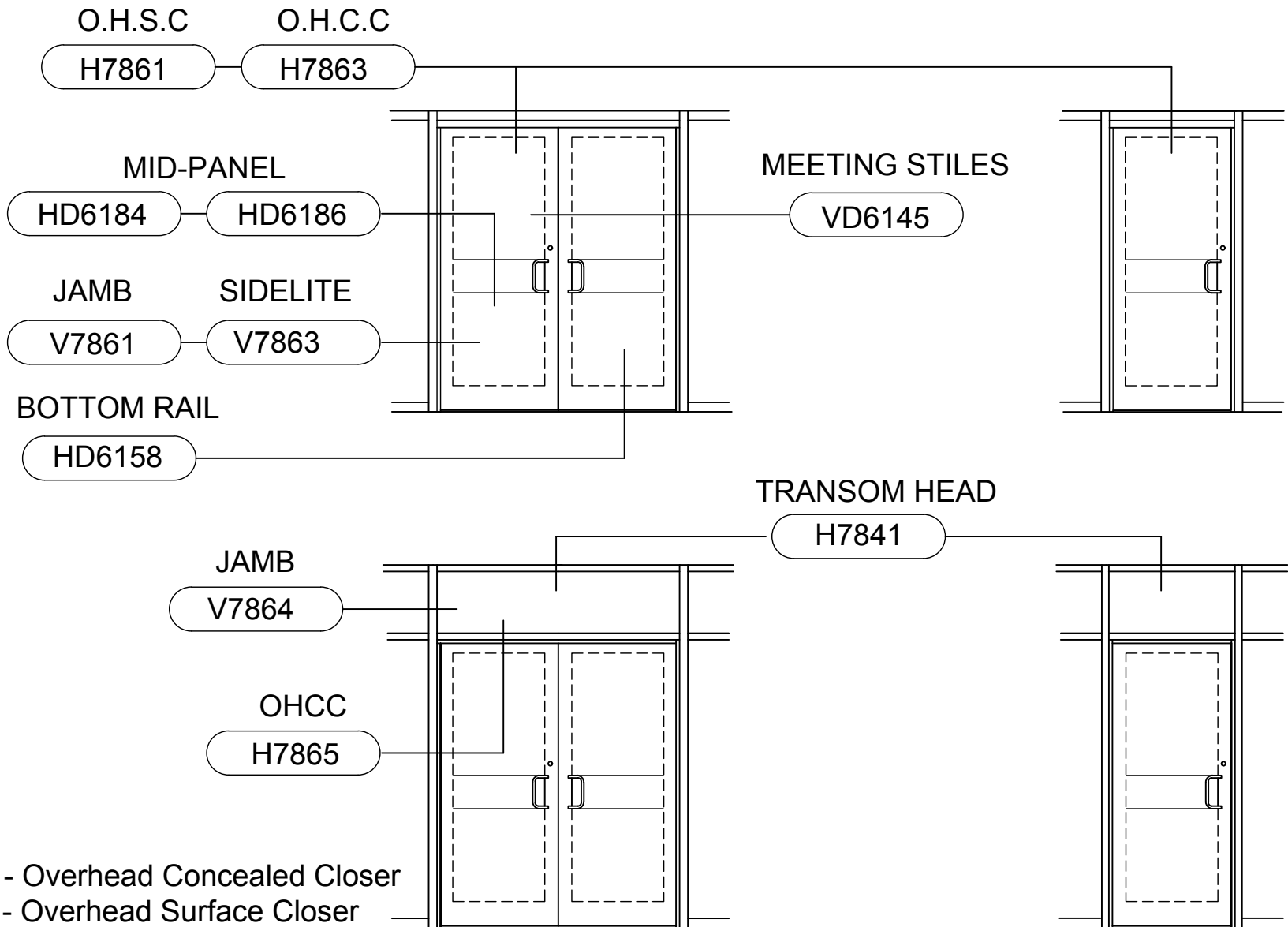
## MSD-375 BLASTMAX® MEDIUM STILE ENTRANCE w/ FG-5100 BLASTMAX® STOREFRONT FRAMING w/STANDARD ANCHORING

*(Drawing numbers---i.e., H7841---used as CAD detail reference only)*

### Elevation

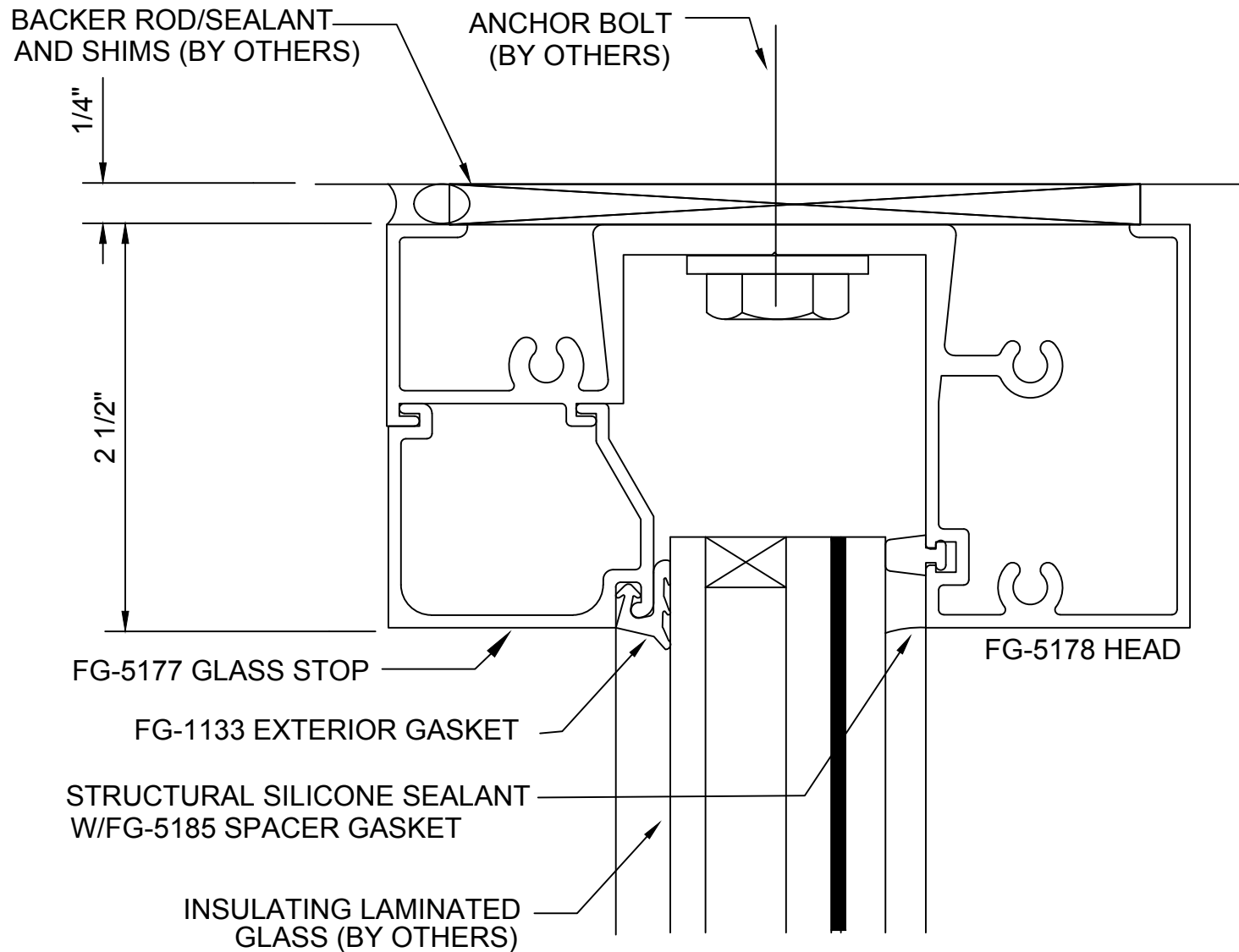
H7841	Transom Head
H7861	Door Head for Overhead Surface Closer
H7863	Door Head for Overhead Concealed Closer
H7865	Door Head w/ Transom
HD6158	8" Bottom Rail & Threshold
HD6184	6-1/2" Mid-Panel
HD6186	8" Mid-Panel
V7861	Door Jamb
V7863	Door Jamb w/ Sidelite
V7864	Transom Jamb
VD6145	Meeting Stiles

## Table of Contents

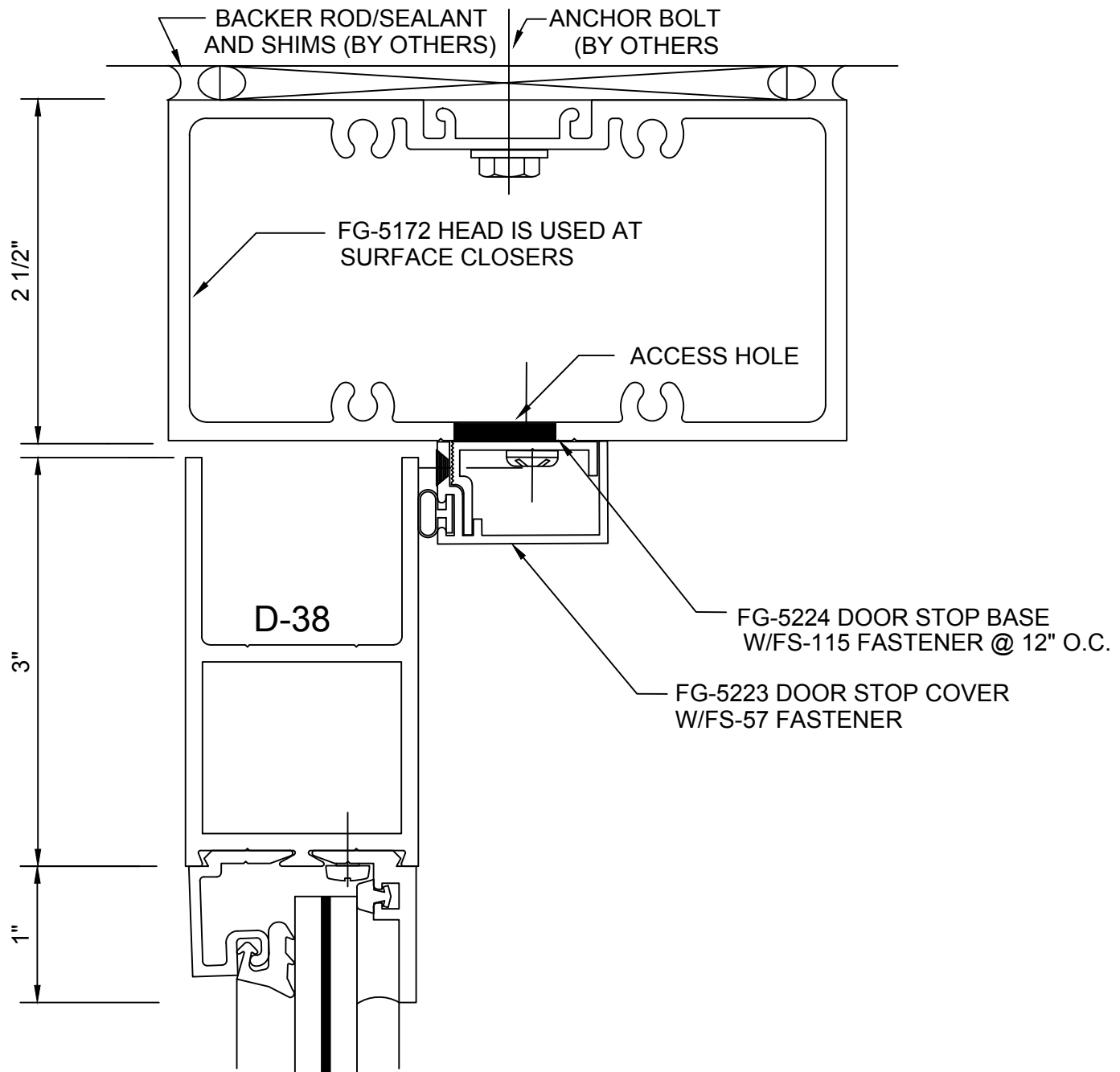


NOTE: FOR SPECIFIC PRODUCT APPLICATIONS CONTACT AN OLDCASTLE BUILDING ENVELOPE™ REPRESENTATIVE

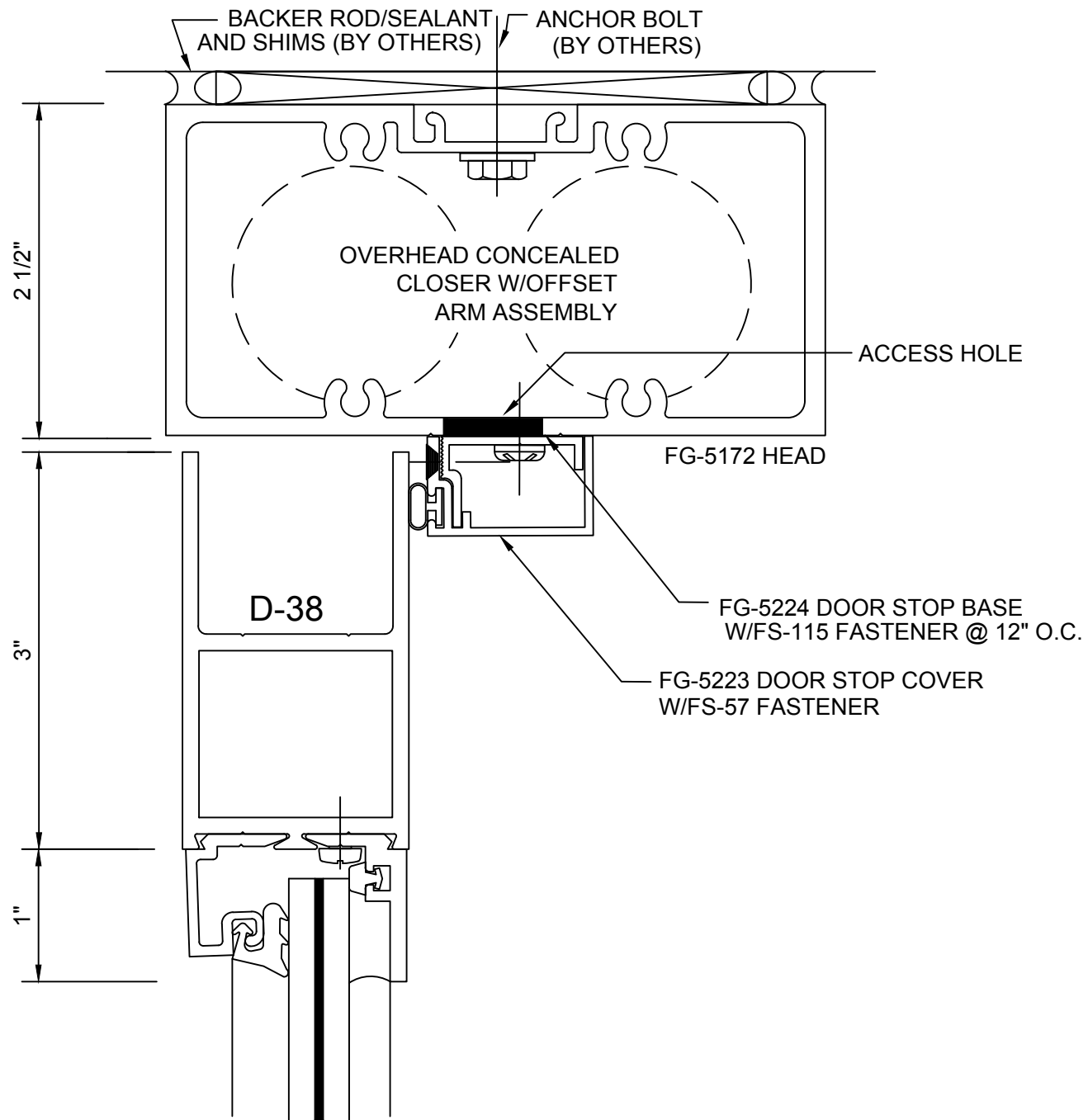
**MSD-375 BlastMax® Medium Stile Entrance w/ 9/16" Laminated Glazing  
FG-5100 BlastMax® Storefront Framing (Standard Anchoring) - Elevation**



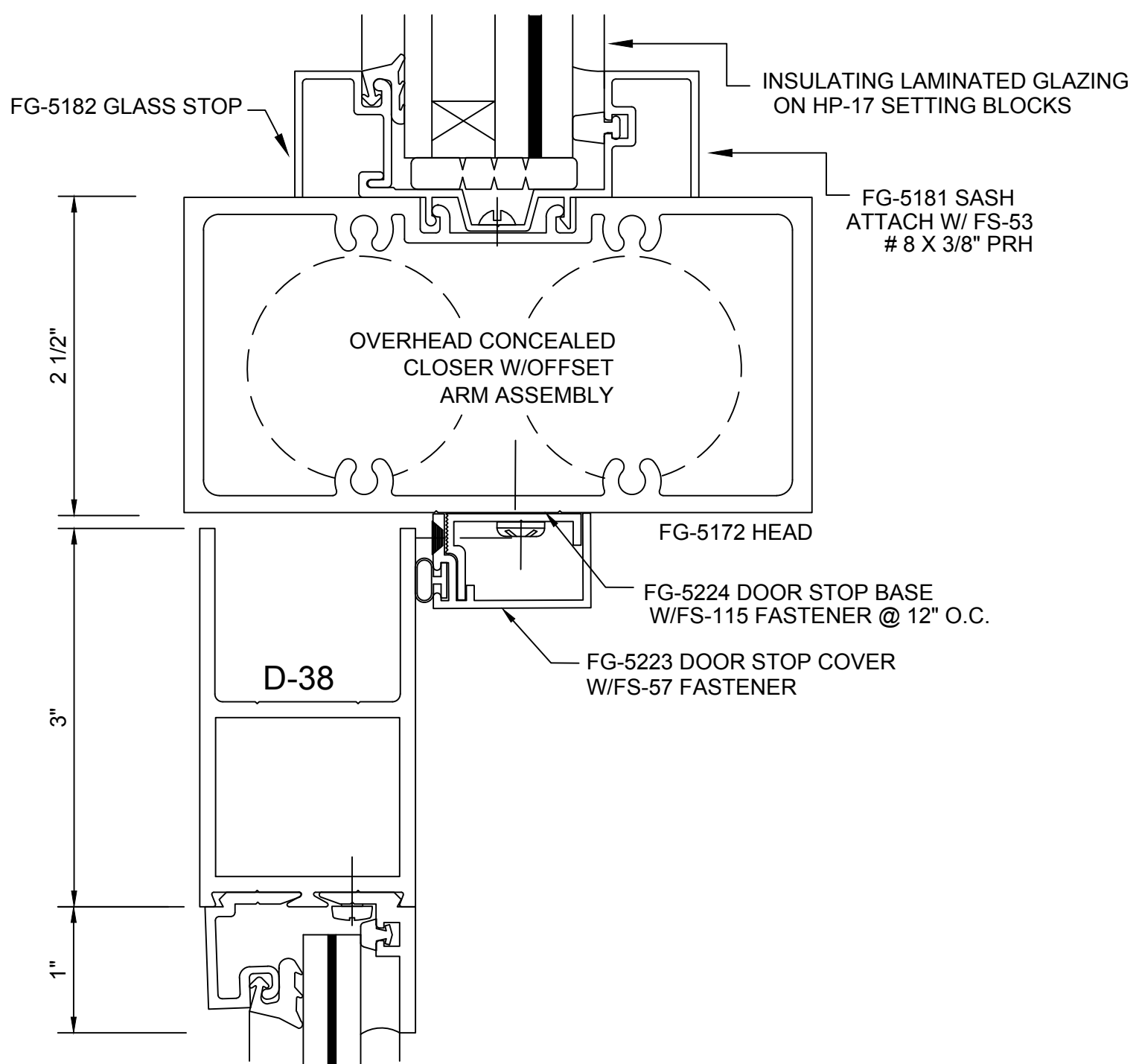
**FG-5100 BlastMax® Storefront  
Transom Head - H7841**



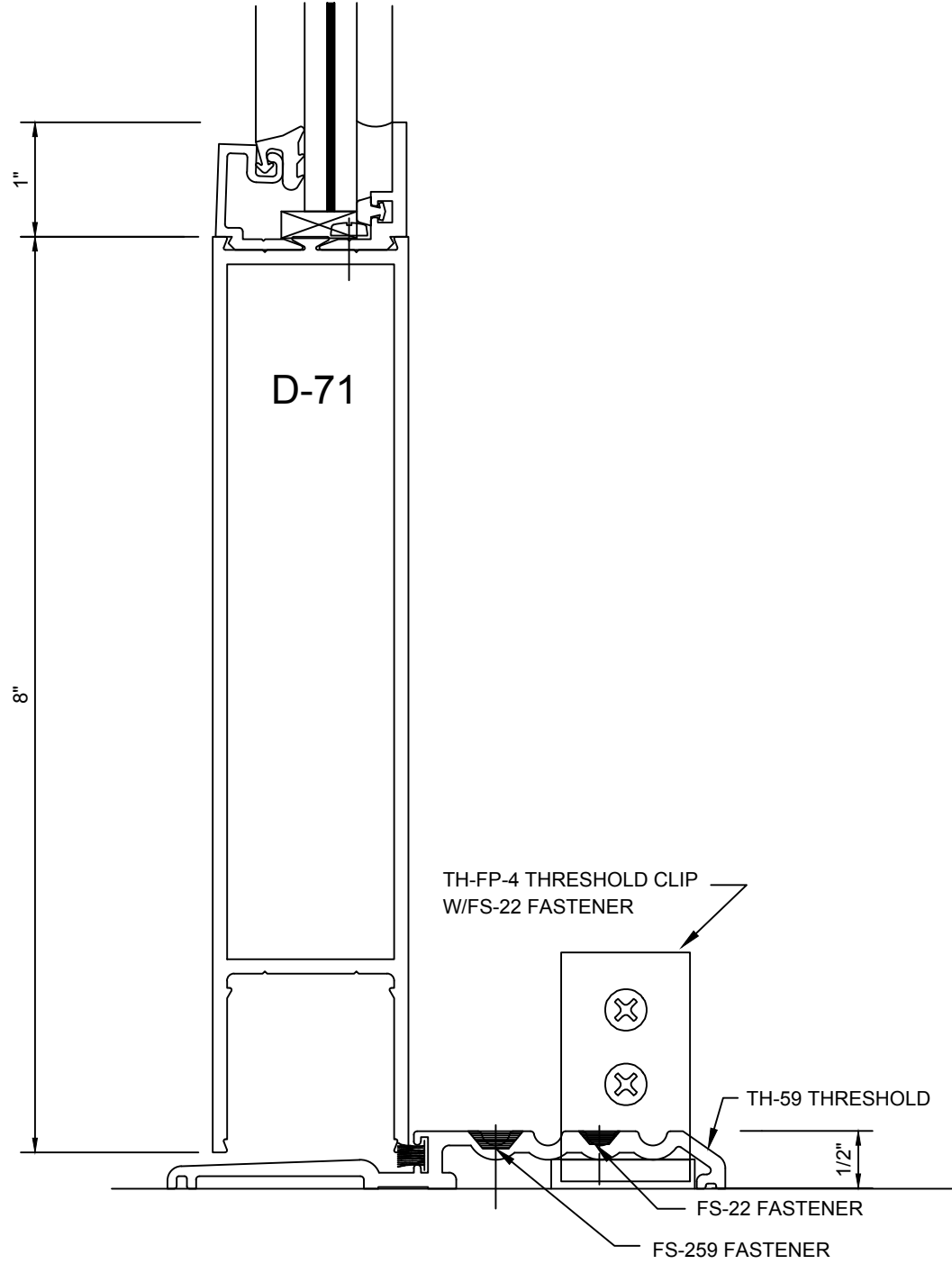
**FG-5100 BlastMax® Storefront  
Door Head for Overhead Surface Closer - H7861**



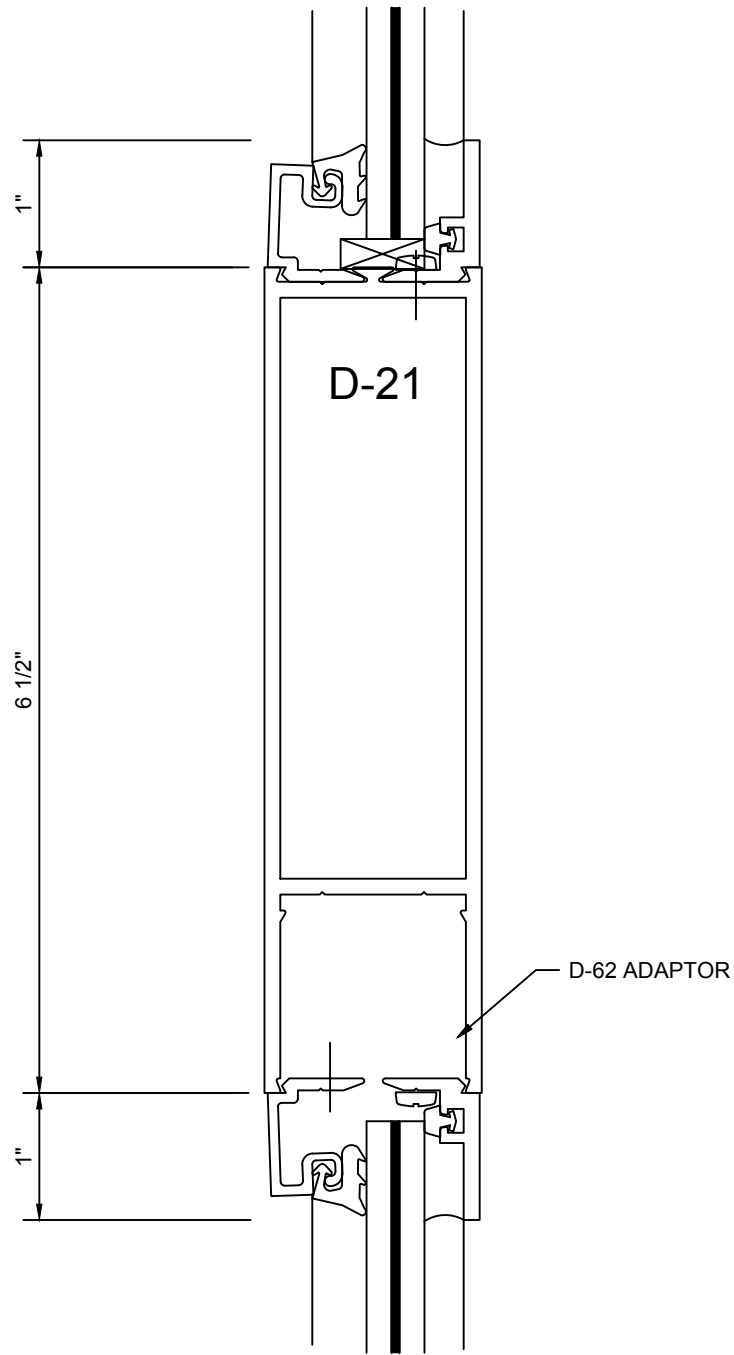
**FG-5100 BlastMax® Storefront  
Door Head for Overhead Concealed Closer - H7863**



**FG-5100 BlastMax®**  
**Door Head w/ Transom - H7865**

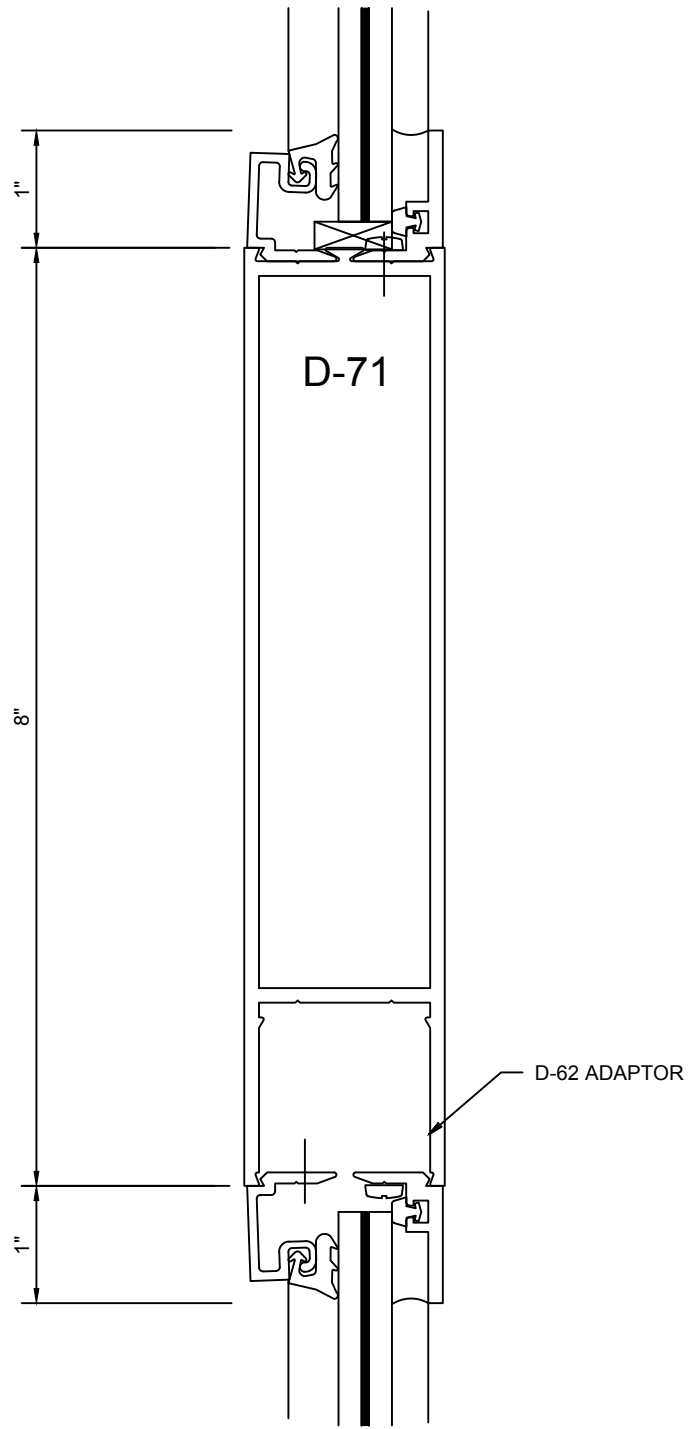


**MSD-375 BlastMax® Entrance**  
**Bottom Rail & Threshold - HD6158**

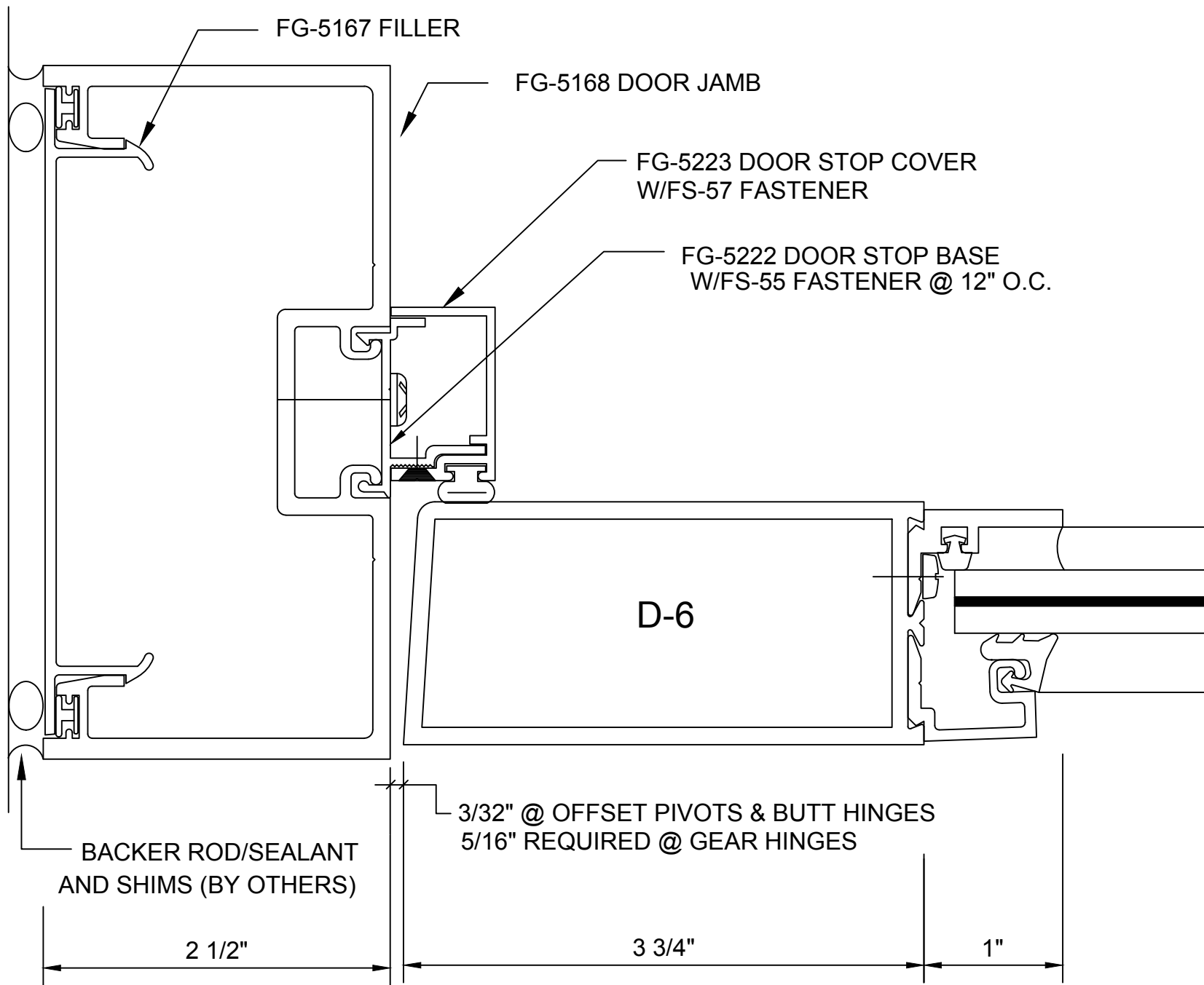


**MSD-375 BlastMax® Entrance**  
**6-1/2" Mid-Panel - HD6184**

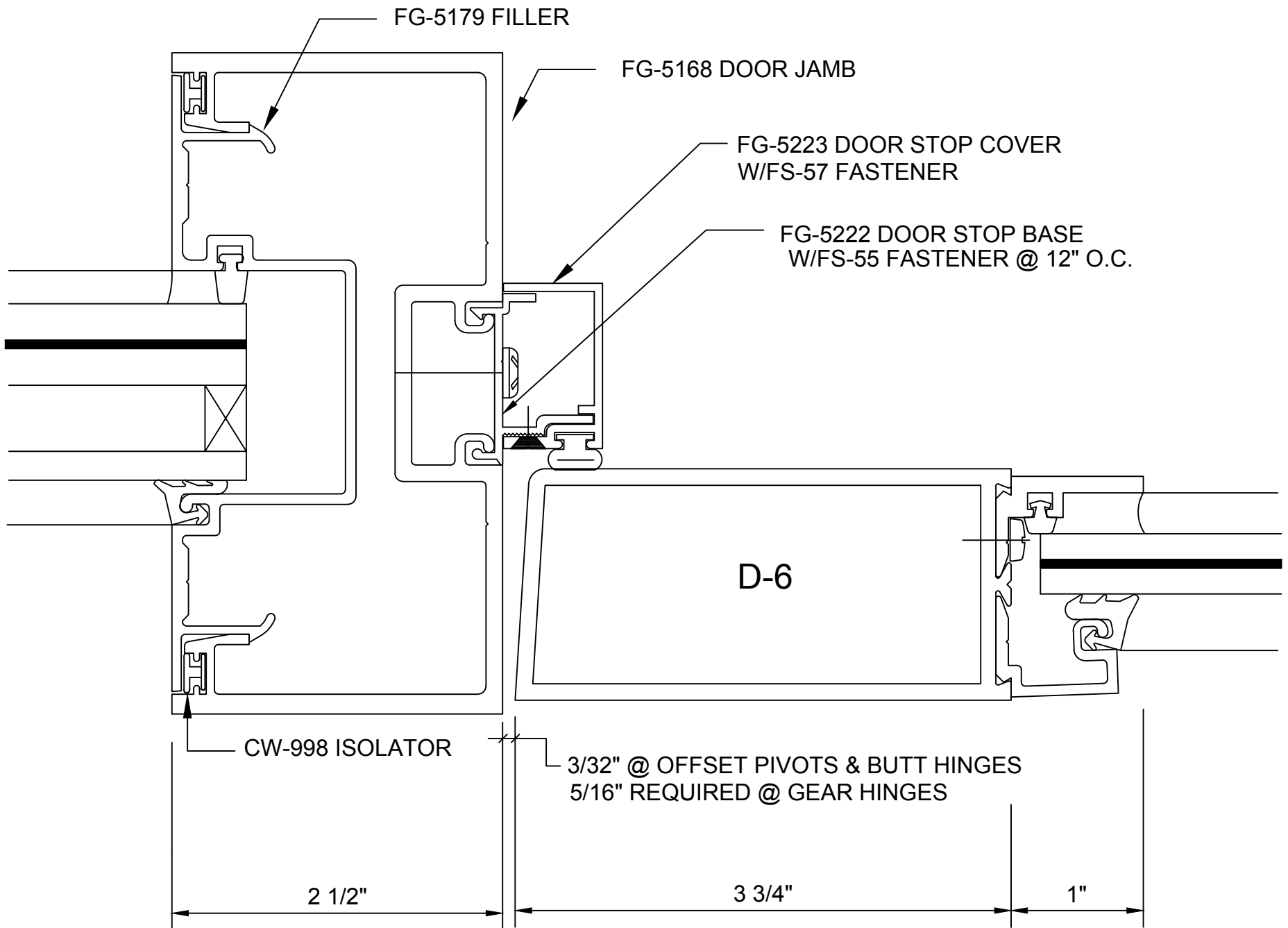




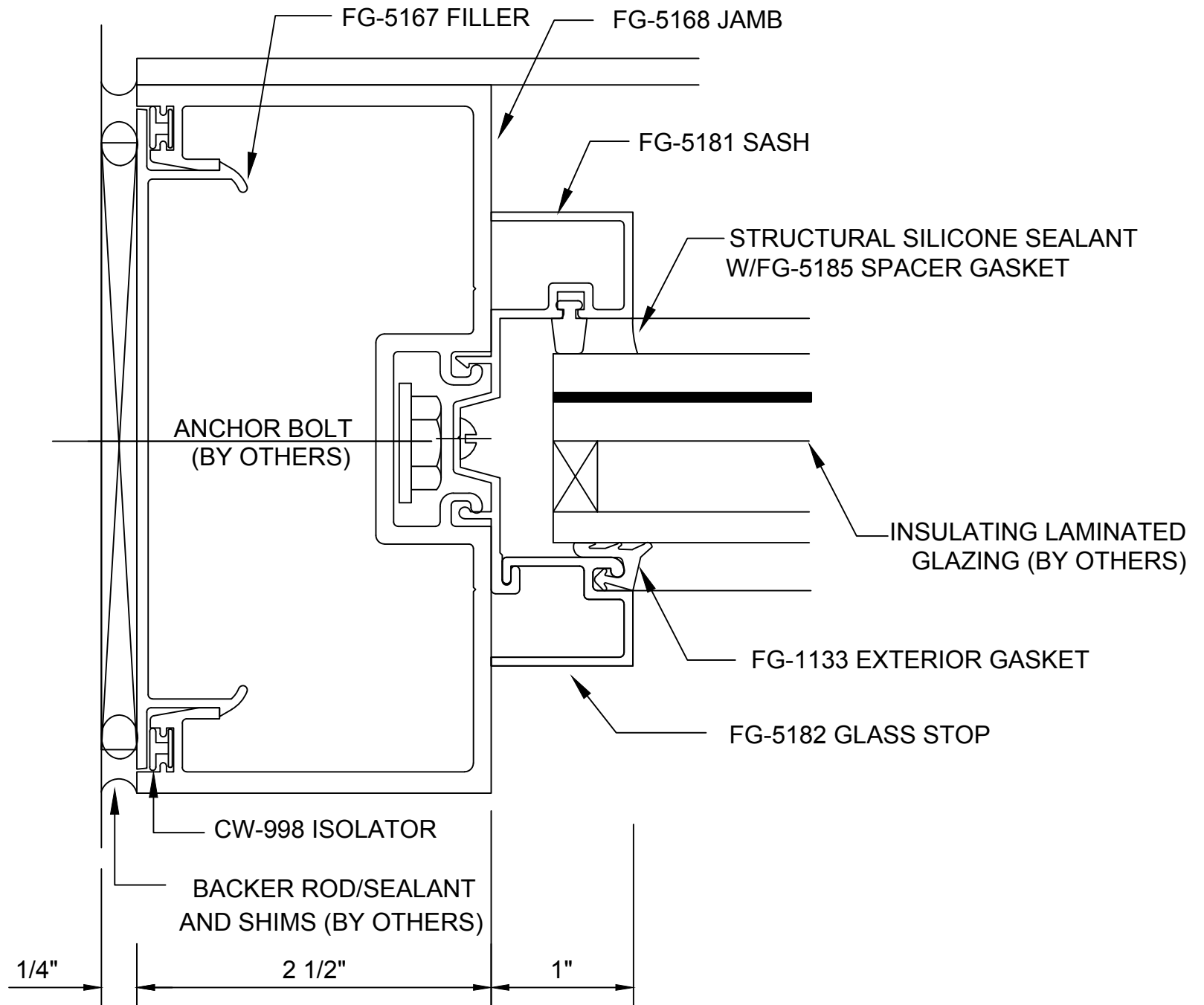
**MSD-375 BlastMax® Entrance**  
**8" Mid-Panel - HD6186**



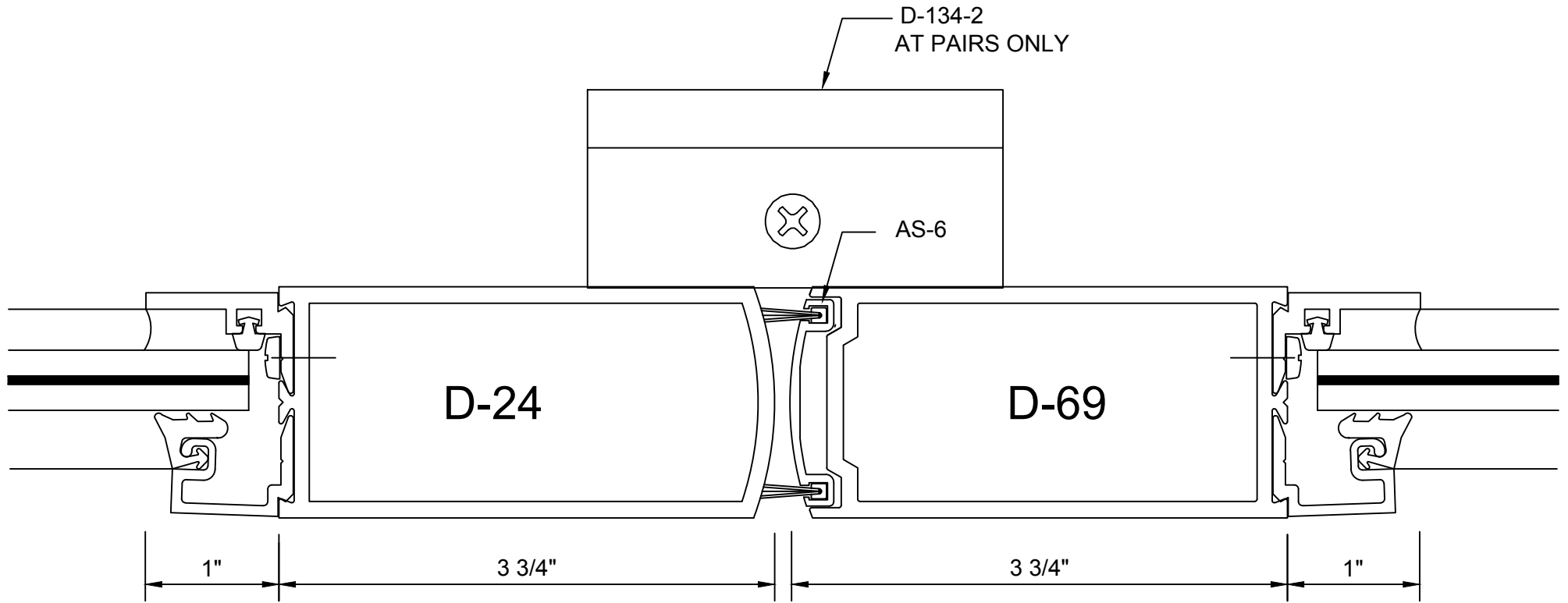
**FG-5100 BlastMax® Storefront  
Door Jamb - V7861**



**FG-5100 BlastMax® Storefront  
Door Jamb w/ Sidelite - V7863**



**FG-5100 BlastMax® Storefront  
 Transom Jamb - V7864**



**MSD-375 BlastMax® Entrance**  
**Meeting Stiles - VD6145**