

Oldcastle BuildingEnvelope®

1-866-Oldcastle (653-2278) - www.obe.com

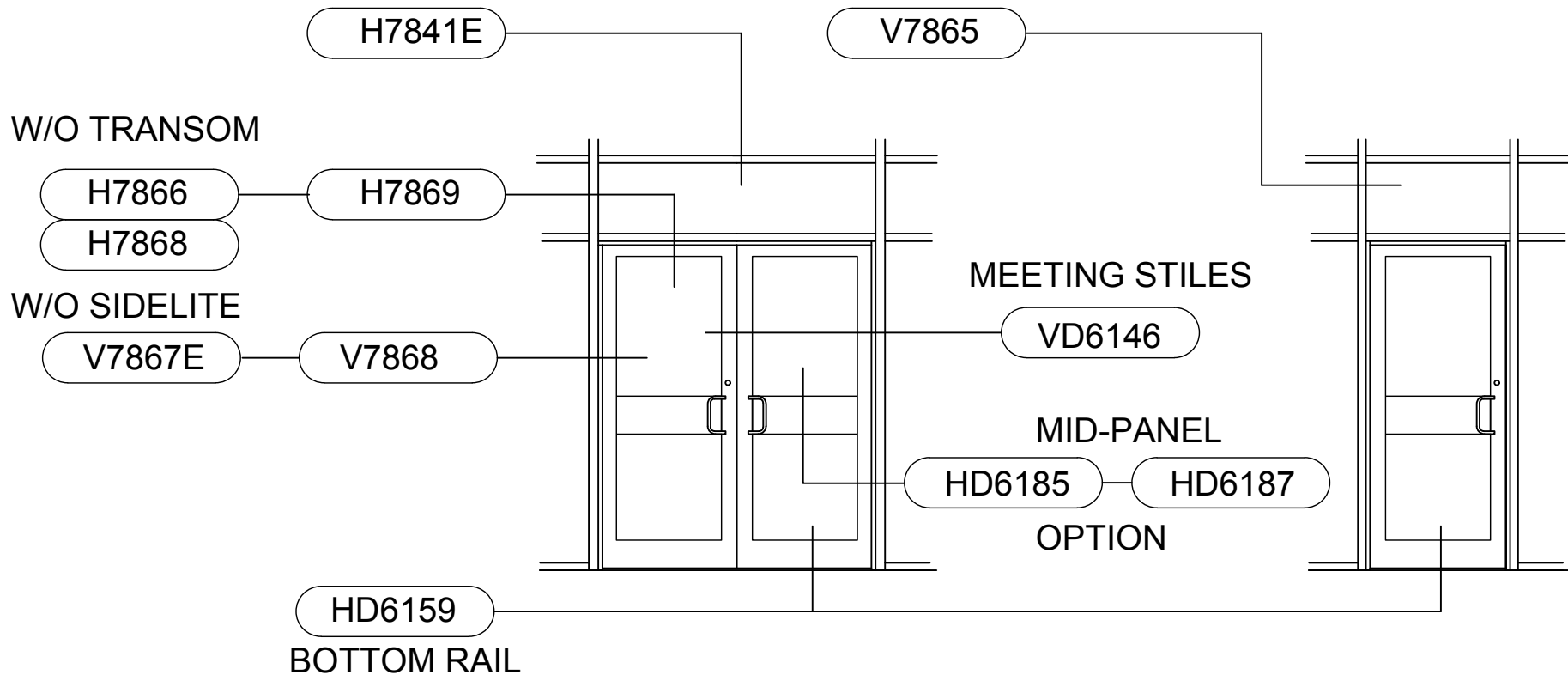
MSD-375 BLASTMAX® MEDIUM STILE ENTRANCE w/ FG-5100 BLASTMAX® STOREFRONT FRAMING INCLUDING ENERGY-ABSORBING ANCHOR

(Drawing numbers---i.e., H4961---used as CAD detail reference only)

Elevation

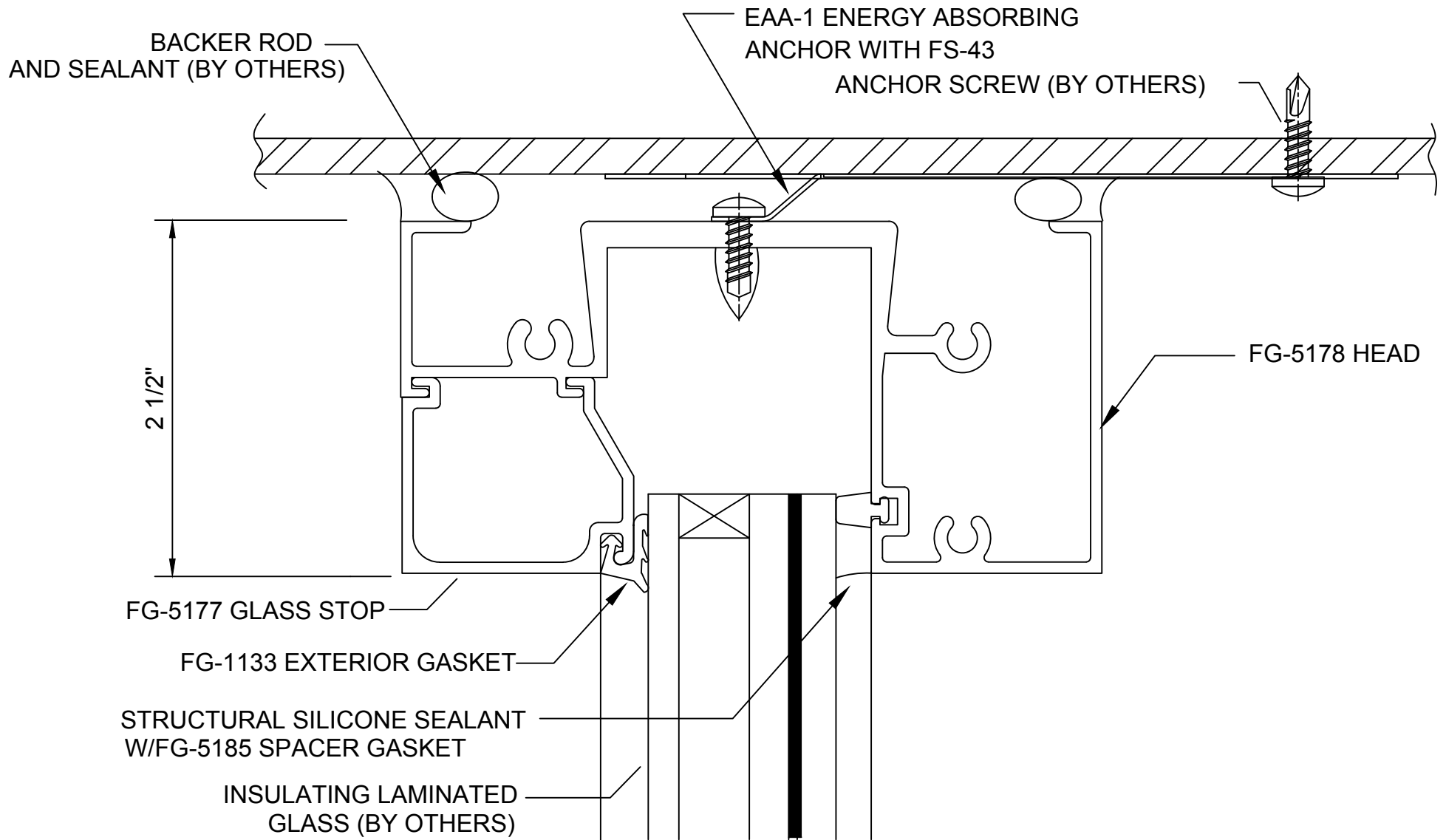
H7841E	Transom Head
H7866	Door Head for Overhead Surface Closer
H7868	Door Head for Overhead Concealed Closer
H7869	Door Head w/ Transom
HD6159	8" Bottom Rail & Threshold
HD6185	6-1/2" Mid-Panel
HD6187	8" Mid-Panel
V7864E	Transom Jamb
V7865	Transom Jamb w/ Sidelite
V7867E	Door Jamb
V7868	Door Jamb w/ Sidelite
VD6146	Meeting Stiles

Table of Contents

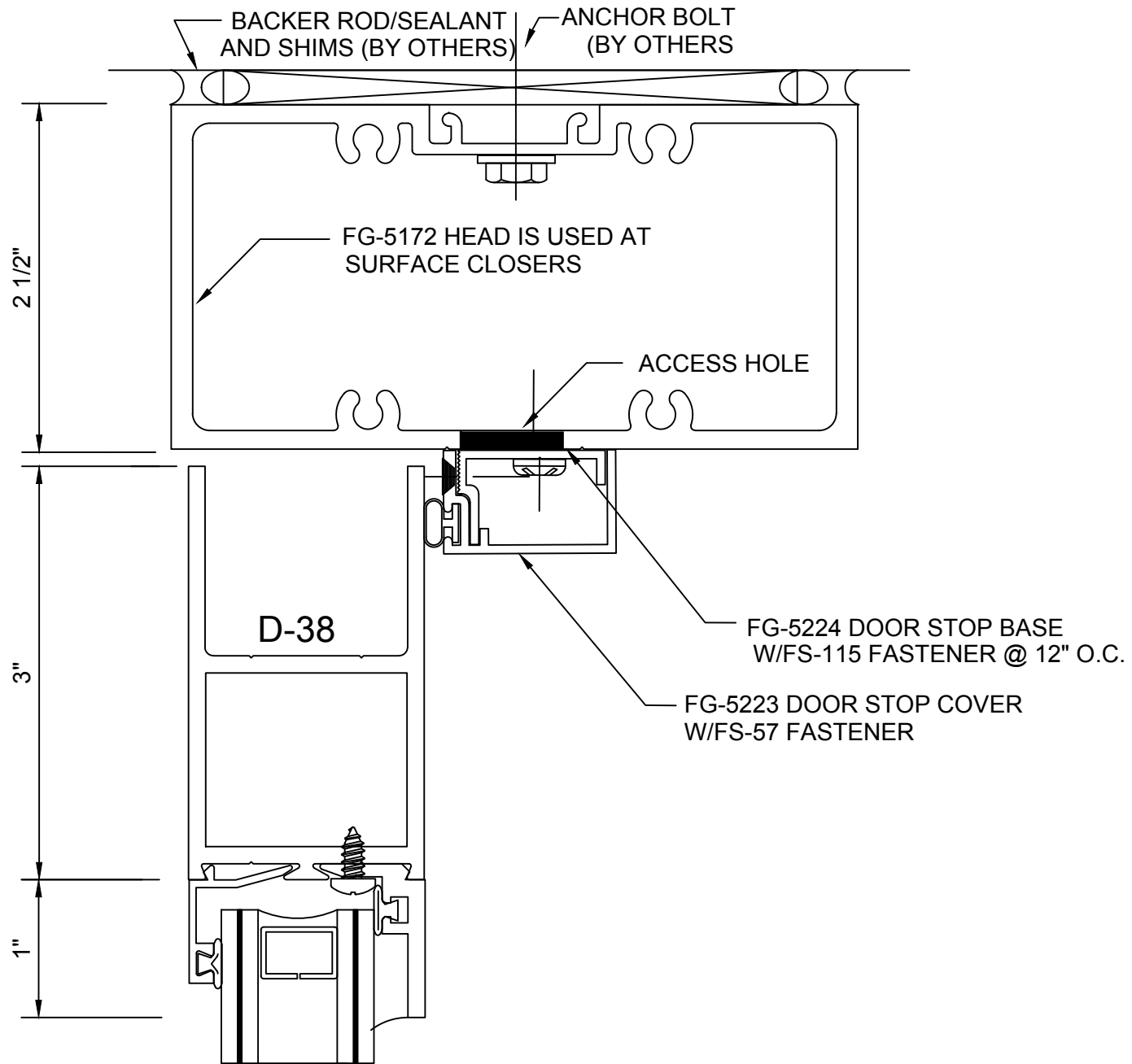


NOTE: FOR SPECIFIC PRODUCT APPLICATIONS CONTACT AN OLDCASTLE BUILDINGENVELOPE® REPRESENTATIVE

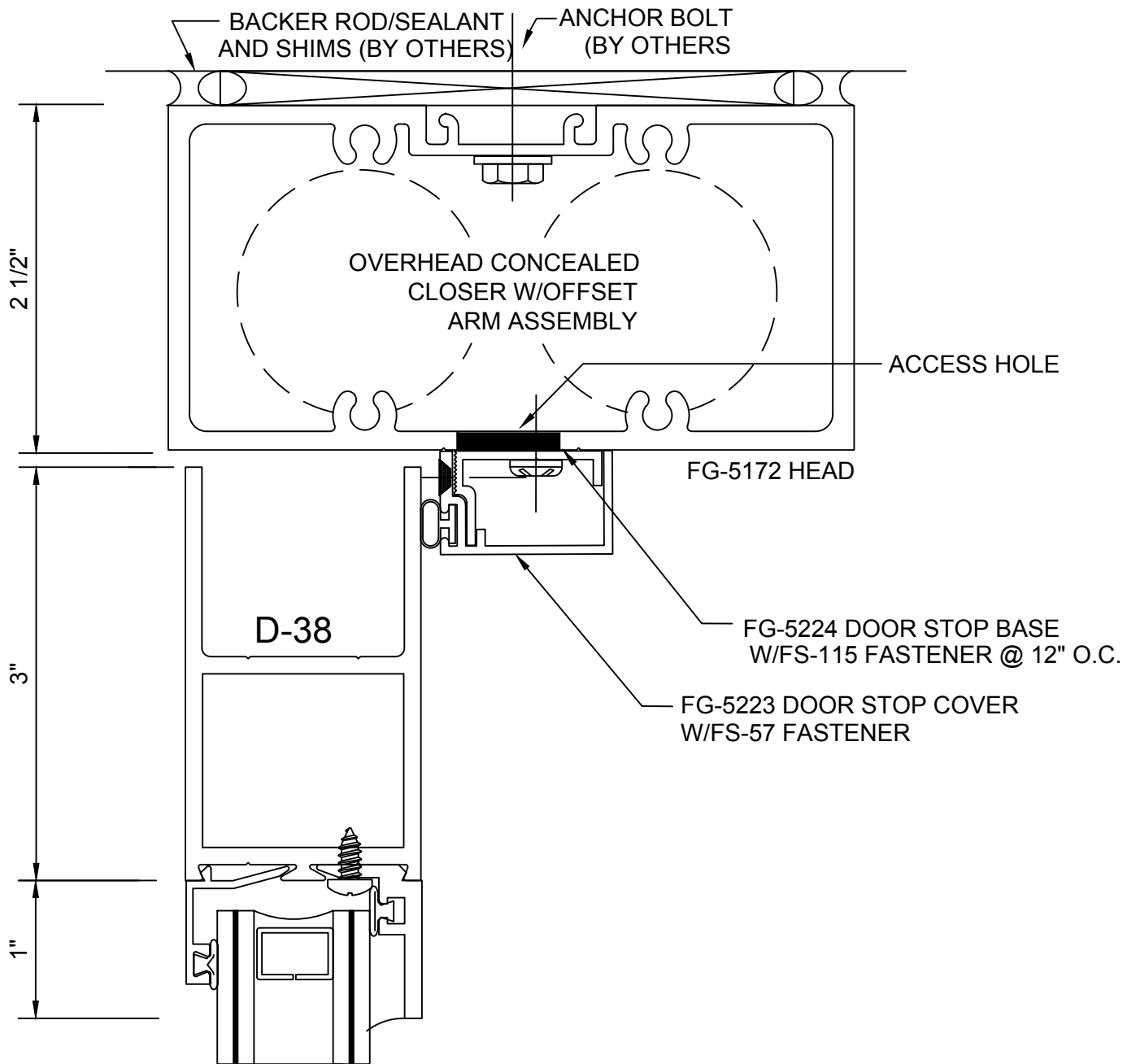
**MSD-375 BlastMax® Medium Stile Entrance w/ 1" Insulating Laminated Glazing
 FG-5100 BlastMax® Storefront Framing (w/ Energy Absorbing Anchor) - Elevation**



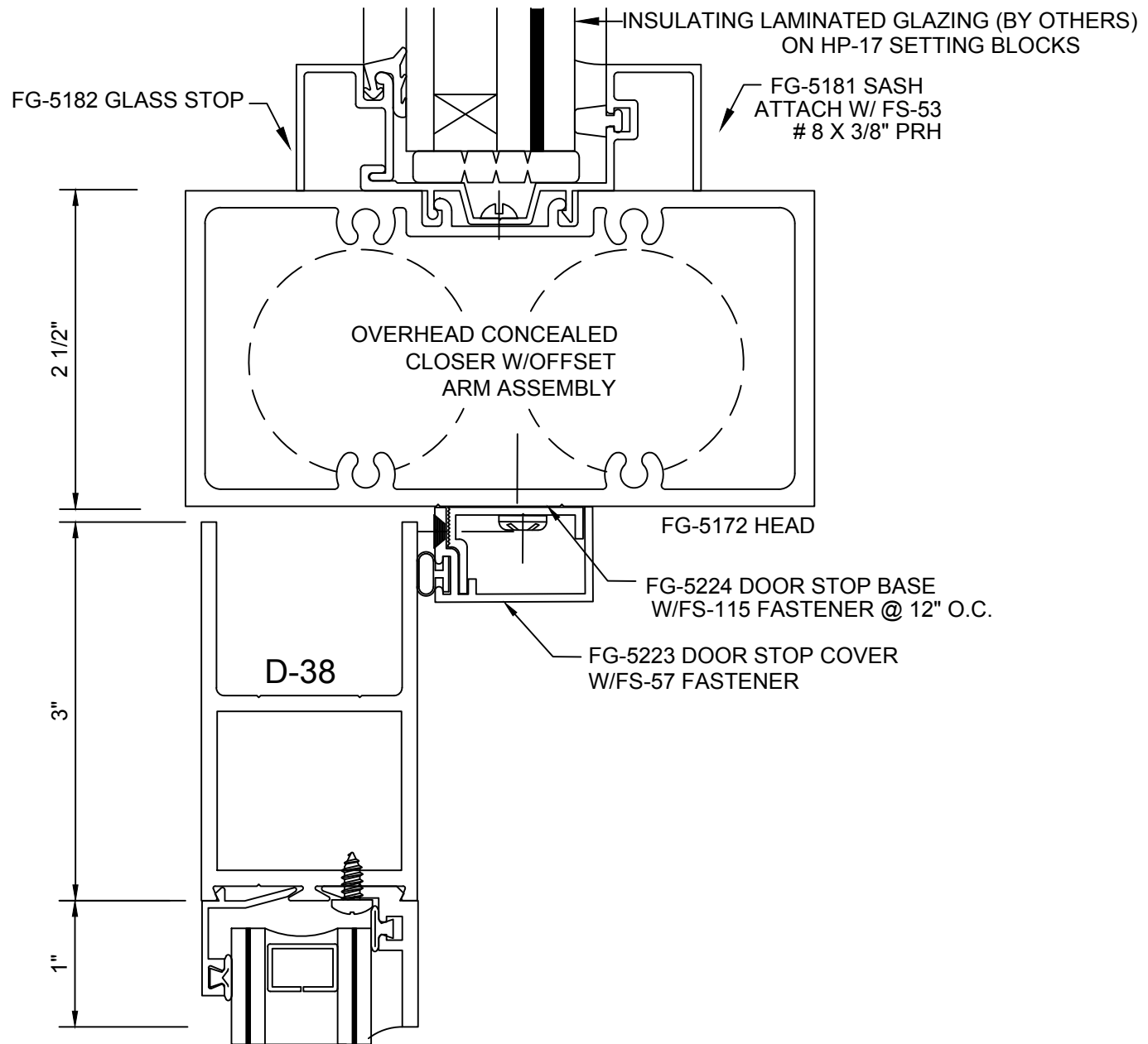
**FG-5100 BlastMax® Storefront
Transom Head - H7841E**



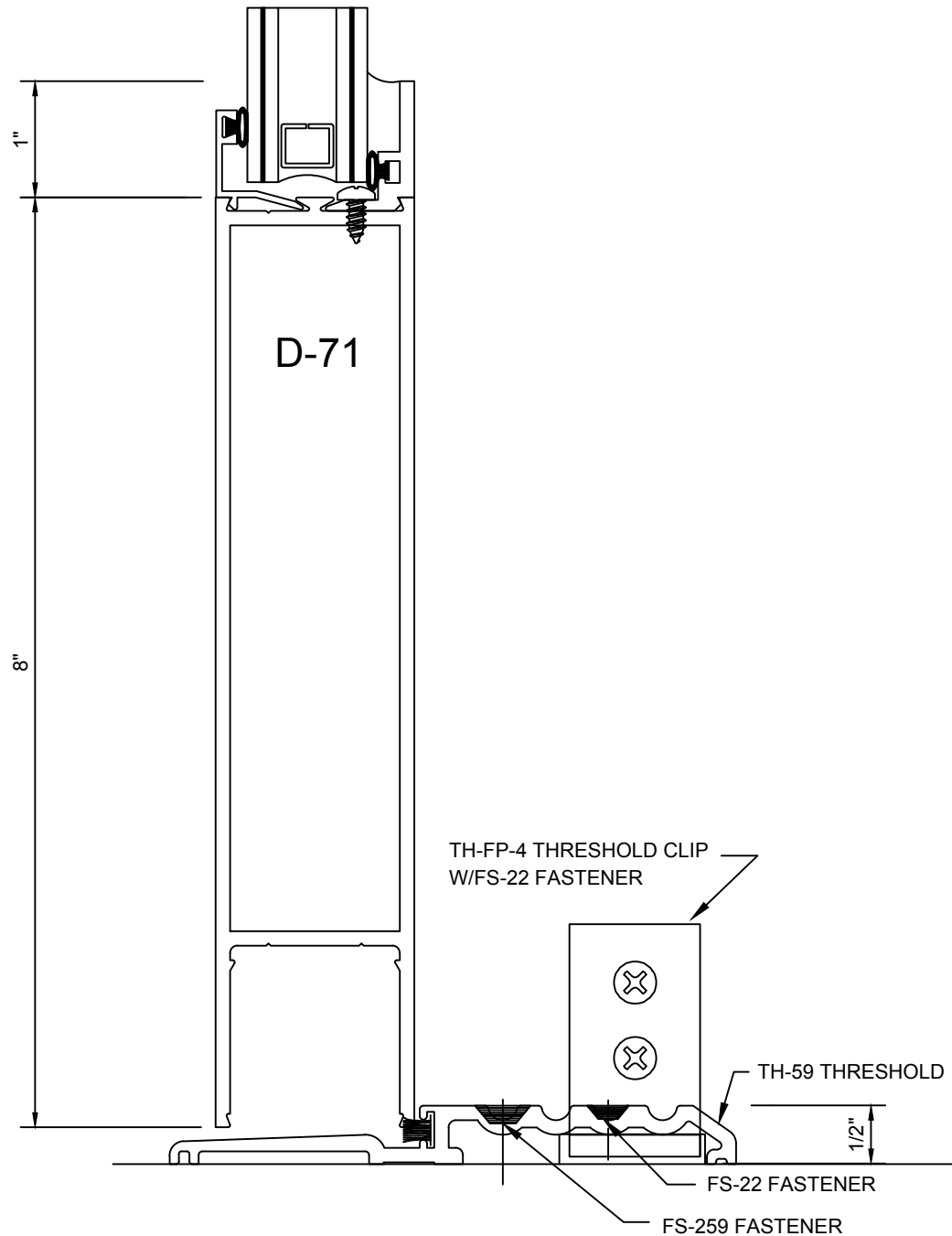
**FG-5100 BlastMax® Storefront
 Door Head for Overhead Surface Closer - H7866**



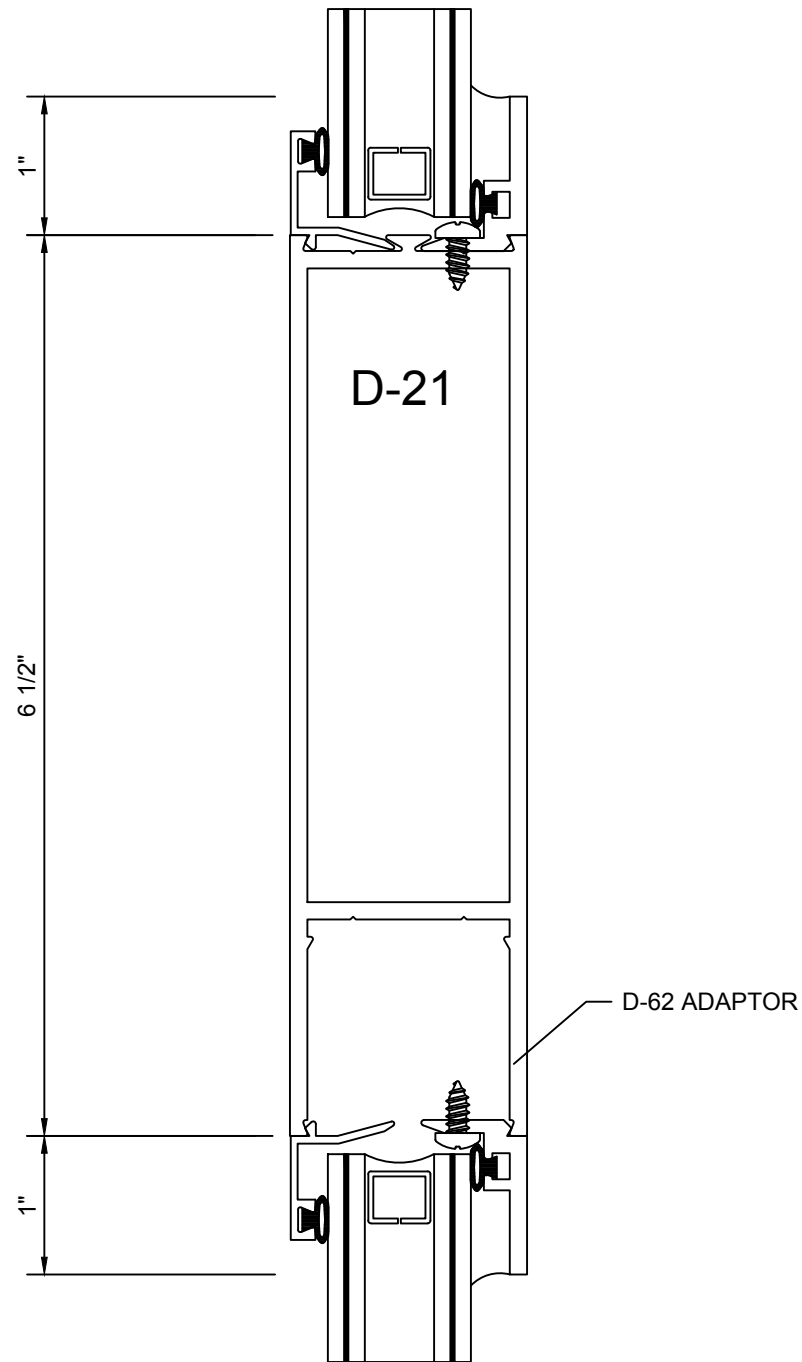
**FG-5100 BlastMax® Storefront
Door Head for Overhead Concealed Closer - H7868**



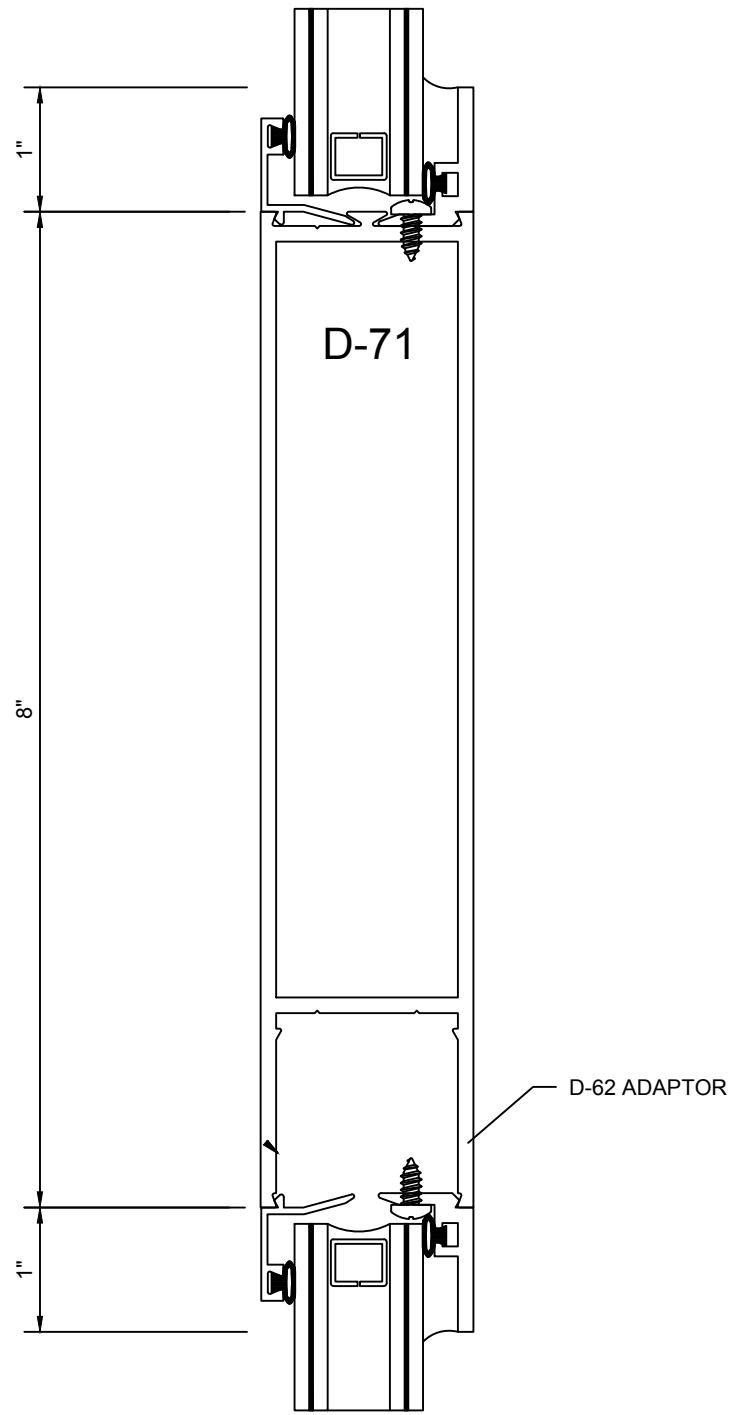
**FG-5100 BlastMax® Storefront
Door Head w/ Transom - H7869**



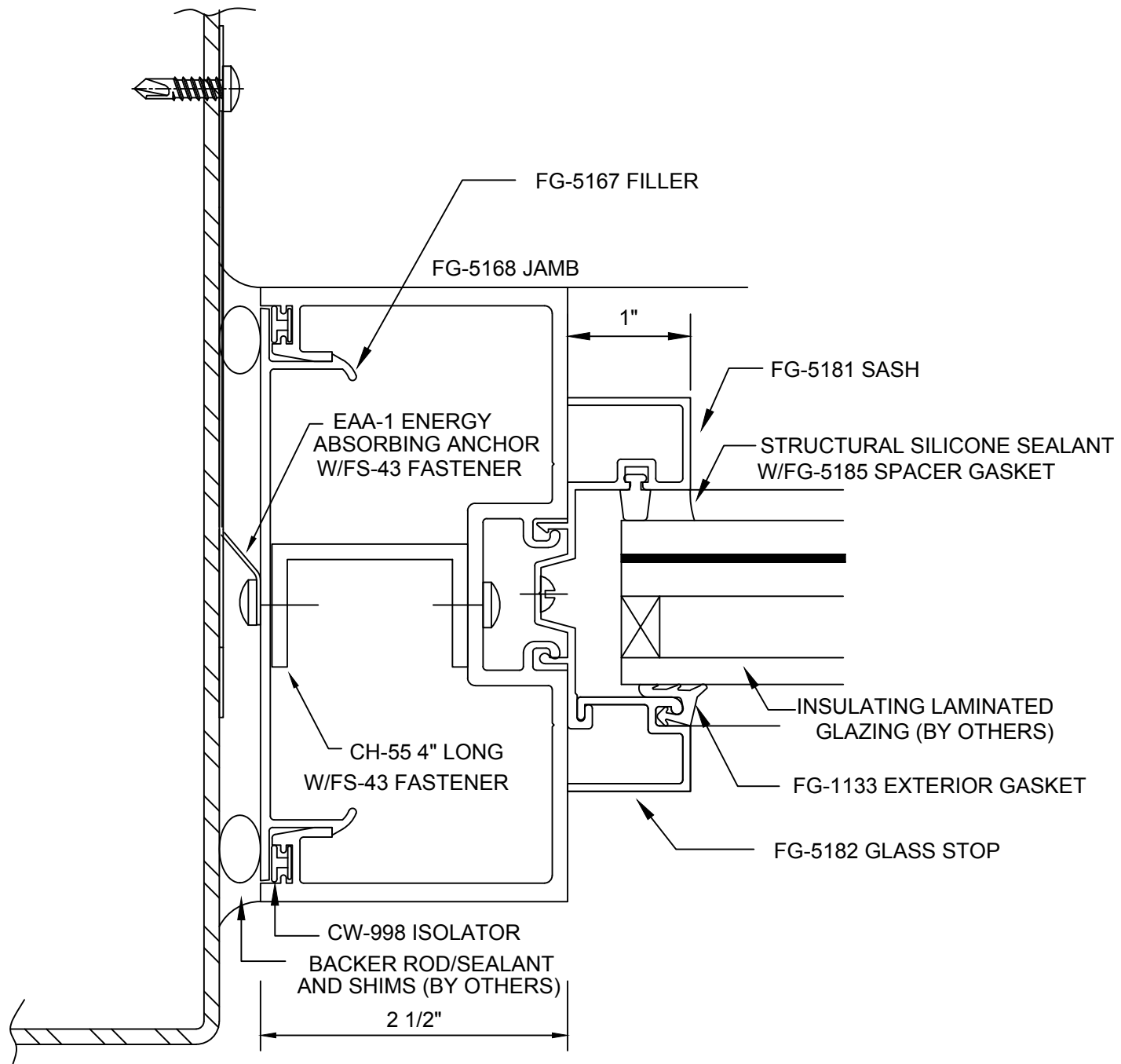
**MSD-375 BlastMax® Entrance
Bottom Rail and Threshold - HD6159**



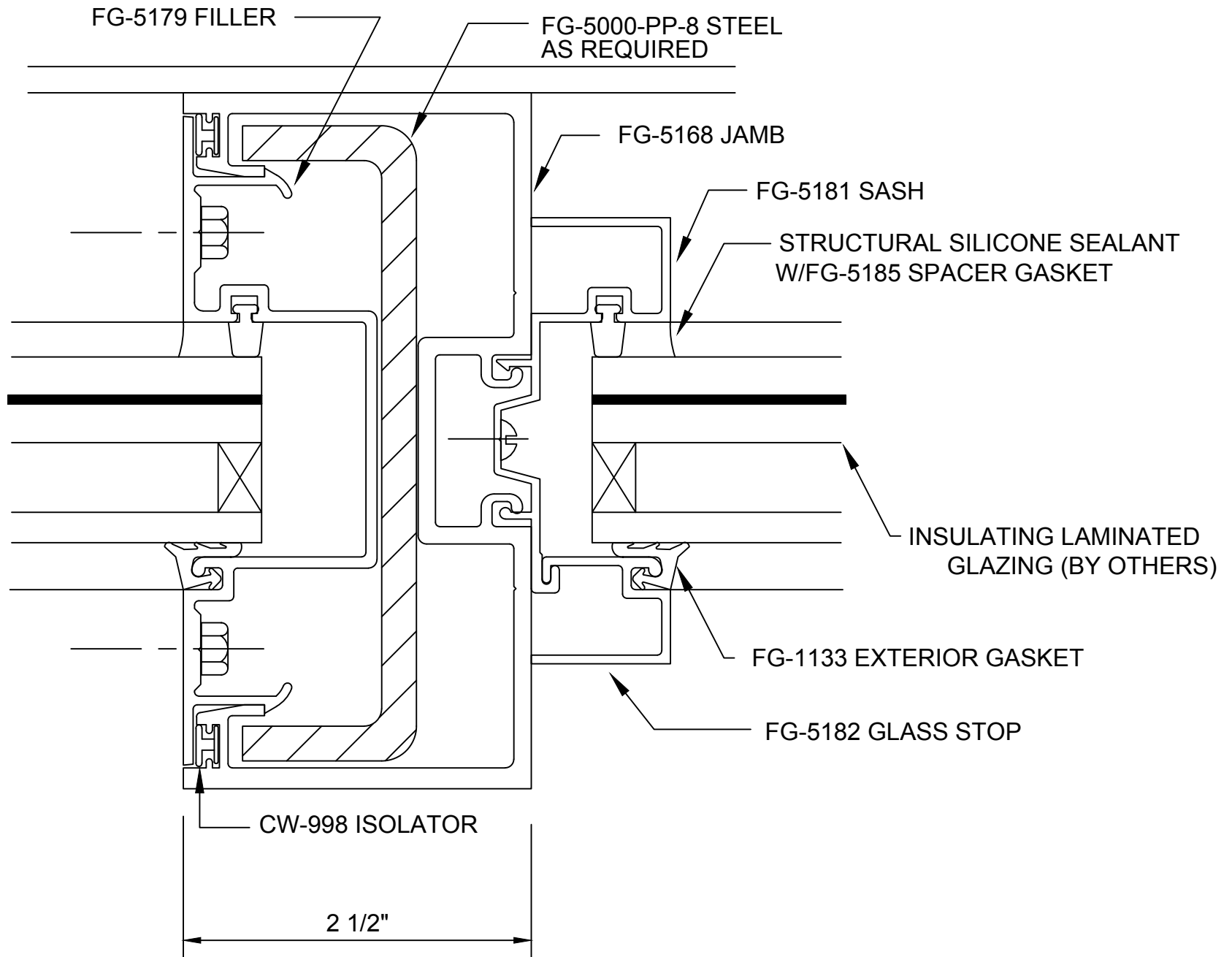
MSD-375 BlastMax® Entrance
6-1/2" Mid-Panel - HD6185



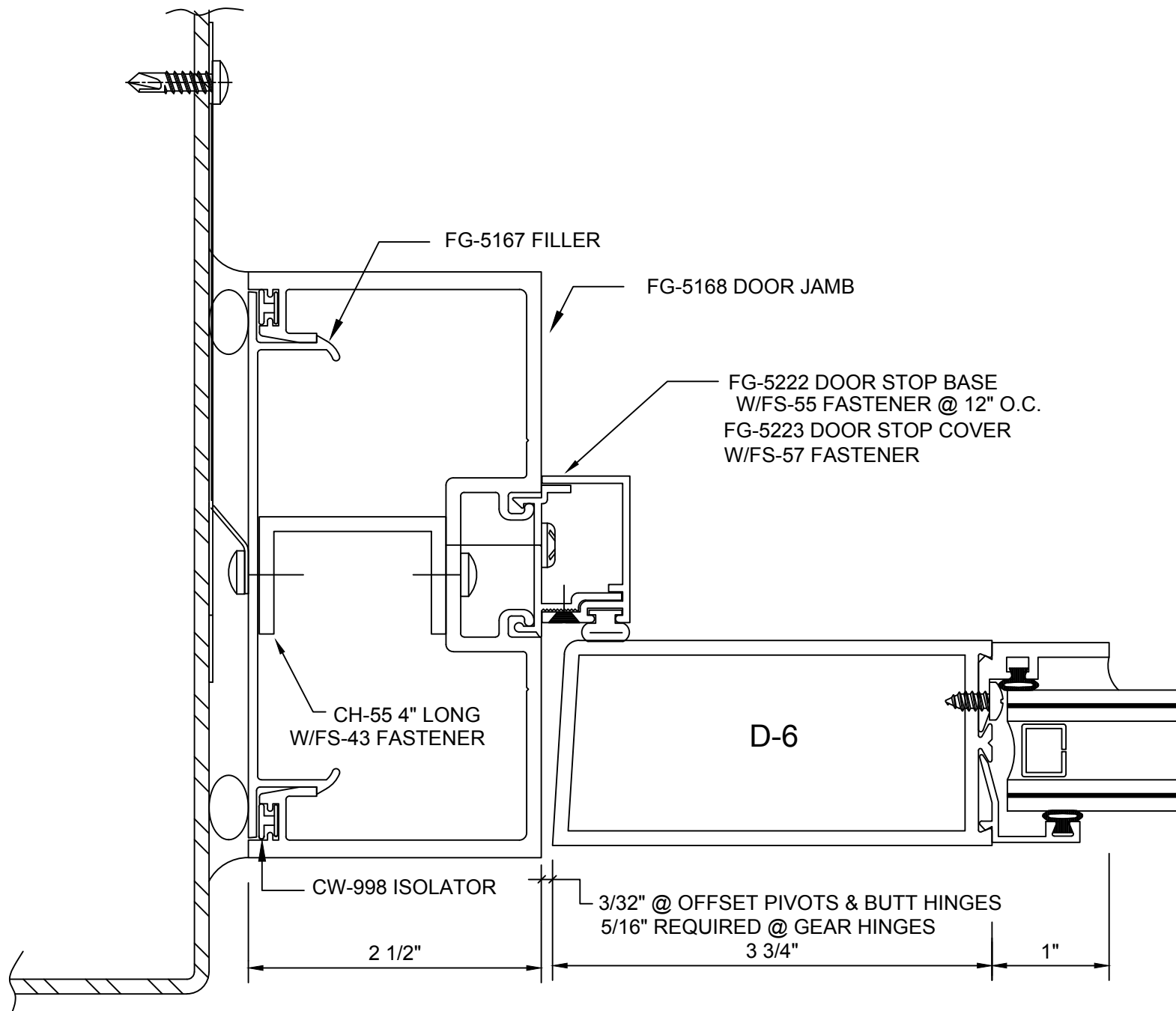
MSD-375 BlastMax® Entrance
8" Mid-Panel - HD6187



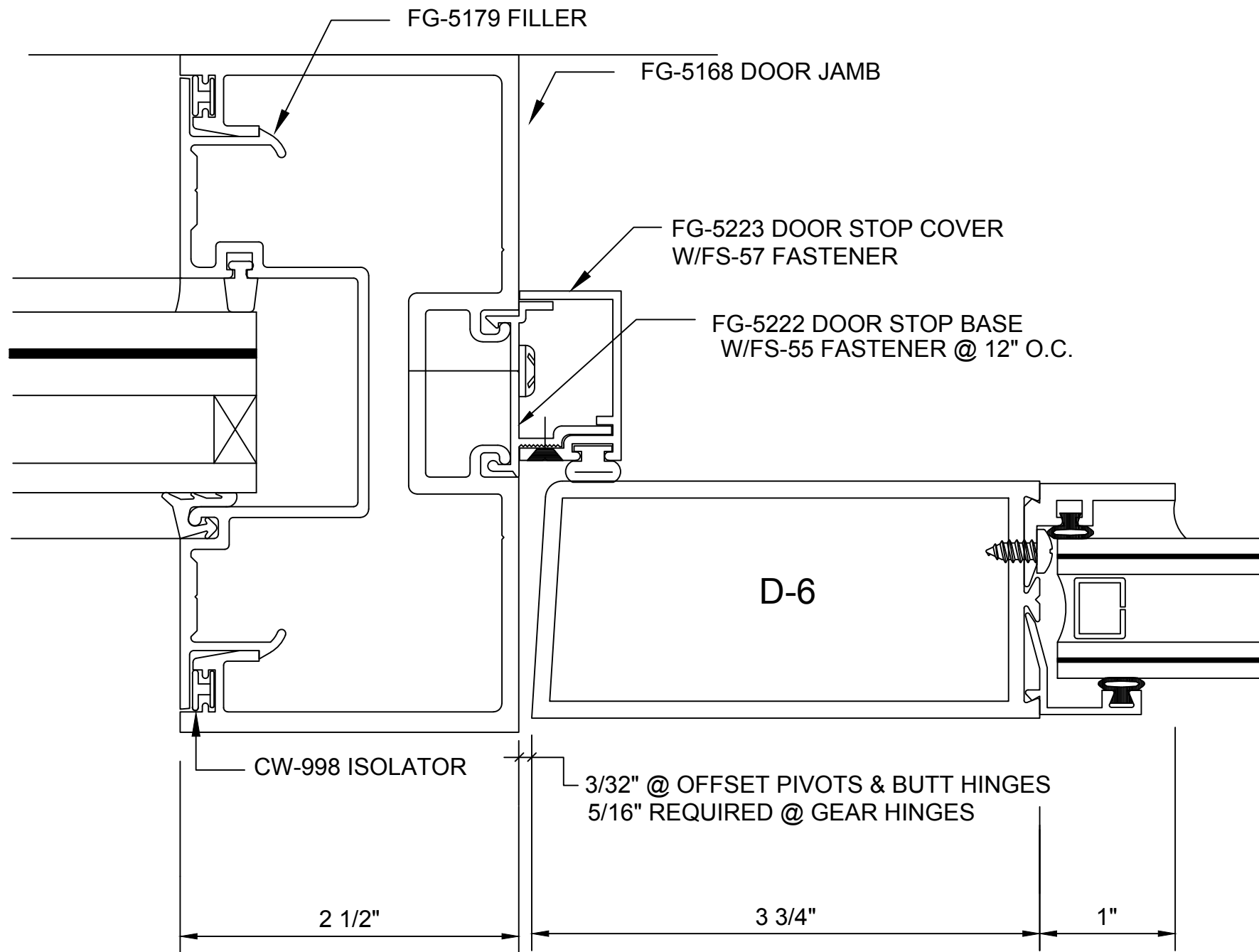
**FG-5100 BlastMax® Storefront
Transom Jamb w/ Energy-Absorbing Anchor - V7864E**



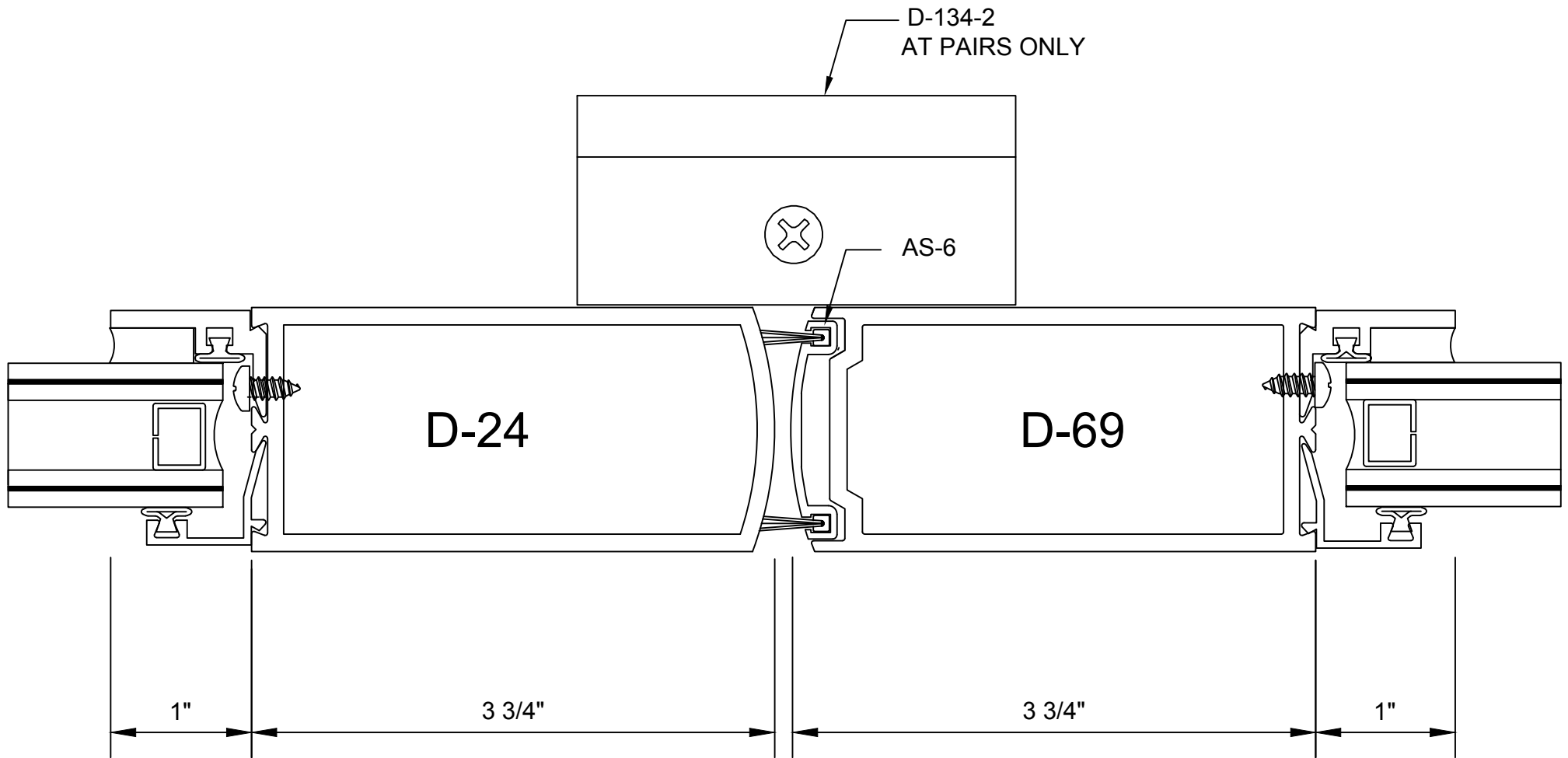
**FG-5100 BlastMax® Storefront
Transom Jamb w/ Sidelite - V7865**



**FG-5100 BlastMax® Storefront
Door Jamb w/ Energy-Absorbing Anchor - V7867E**



**FG-5100 BlastMax® Storefront
Door Jamb w/ Sidelite - V7868**



**MSD-375 BlastMax® Entrance
Meeting Stiles - VD6146**