

**Oldcastle** BuildingEnvelope®

1-866-Oldcastle (653-2278) - [www.obe.com](http://www.obe.com)

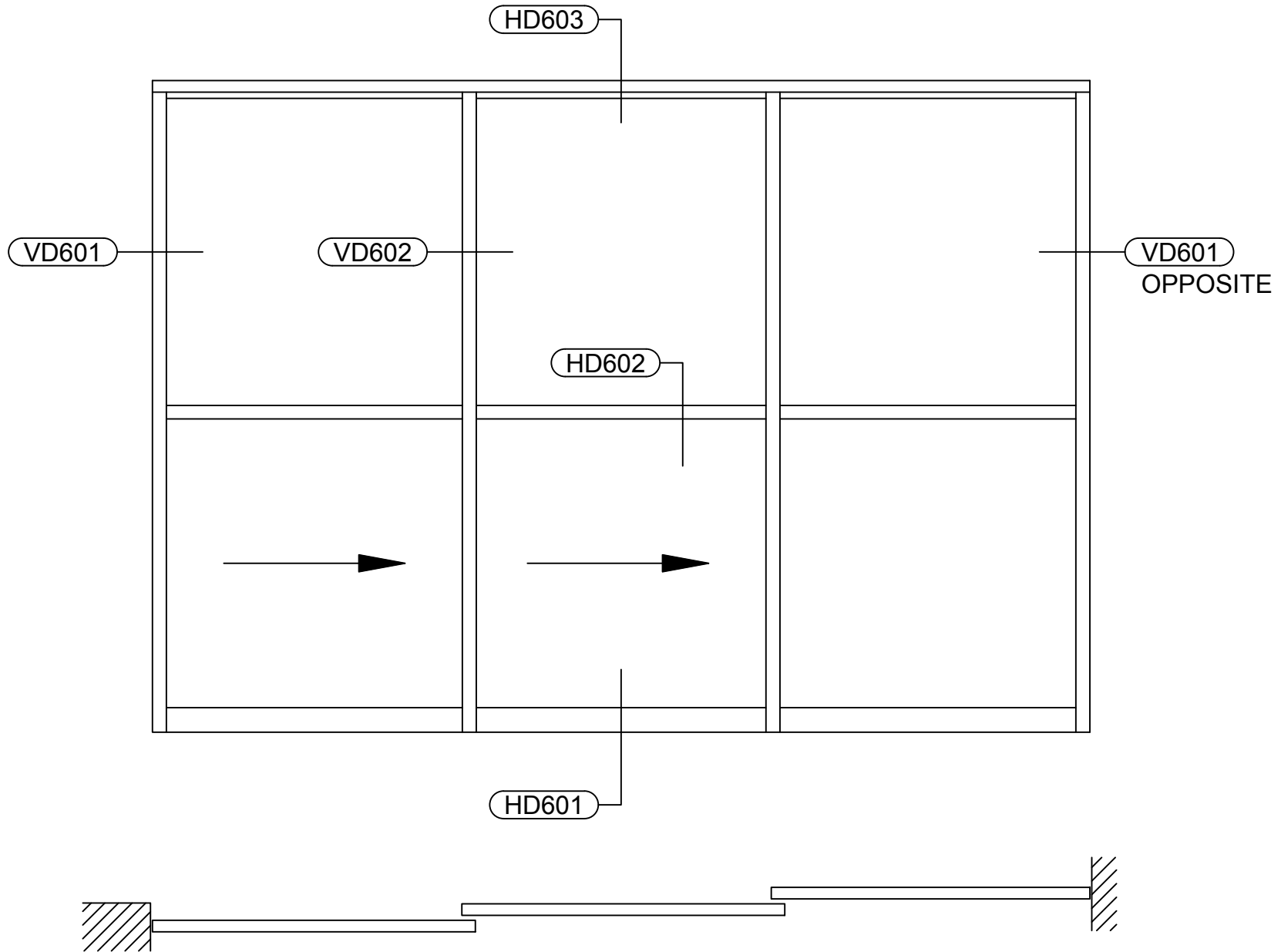
**MS-360 MALL SLIDER  
SINGLE DIRECTION**

*(Drawing numbers---i.e., HD601---used as CAD detail reference only)*

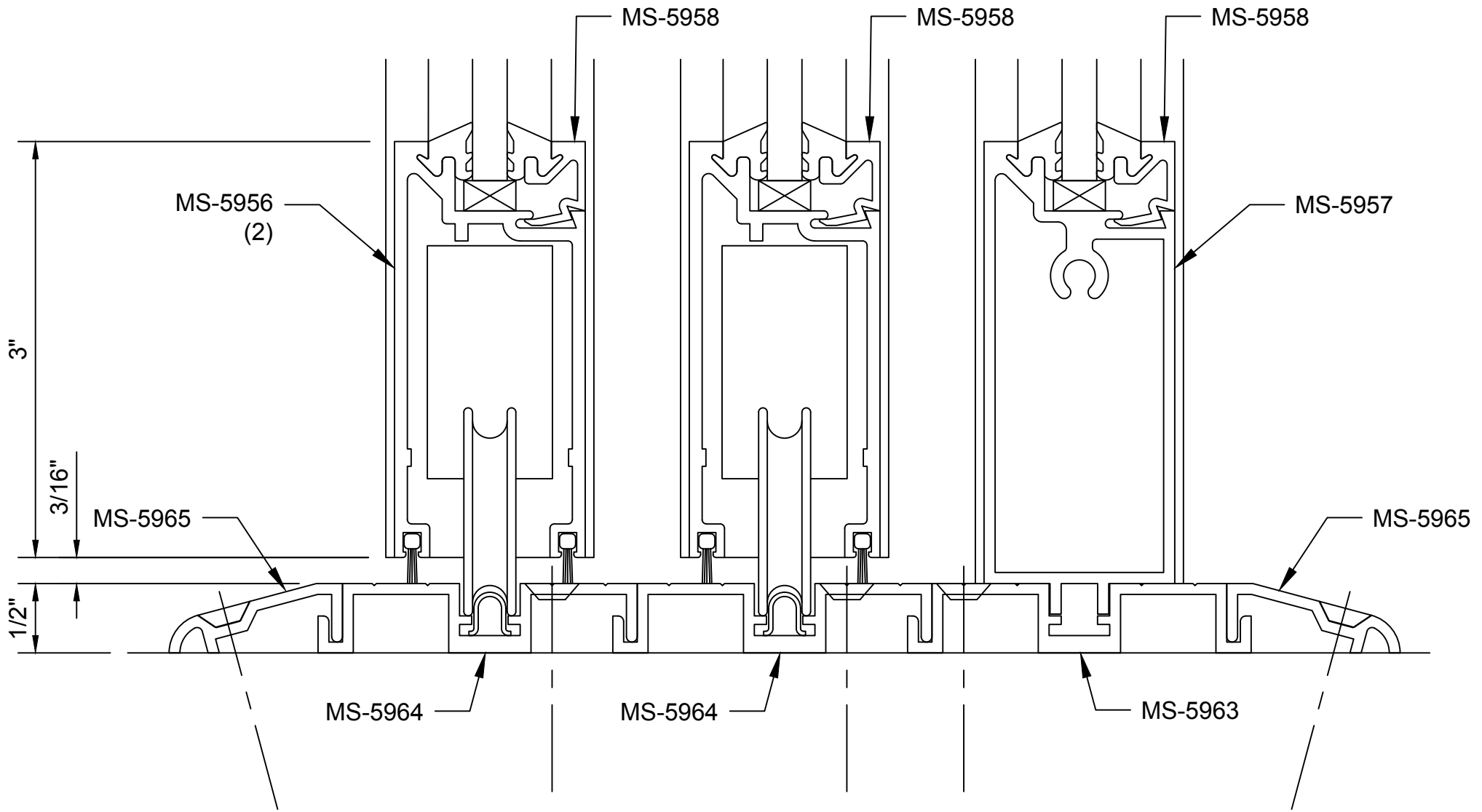
Elevation

HD601	Bottom Rails - 2 Operators x 1 Fixed
HD602	Mid-Panel
HD603	Top Rails
VD601	Jamb
VD602	Sliding Panels at Interlock

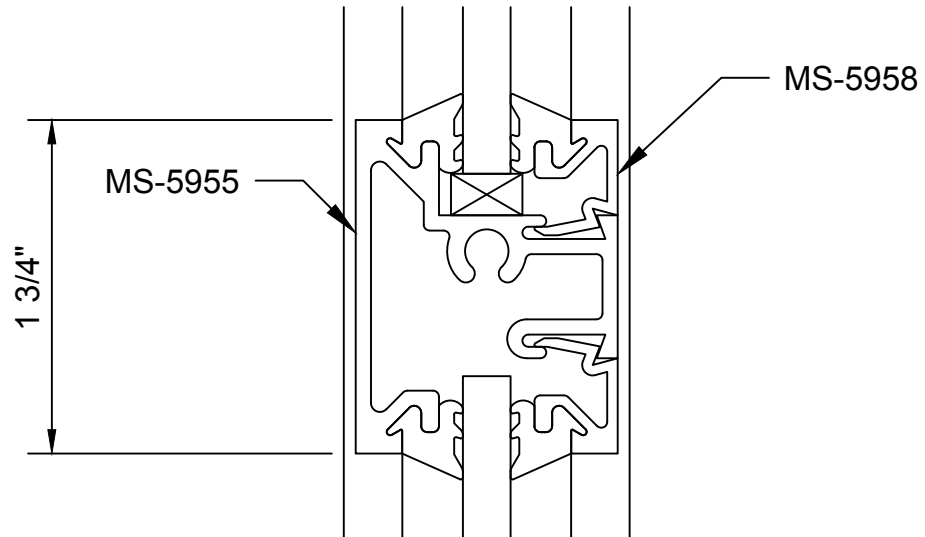
**Table of Contents**



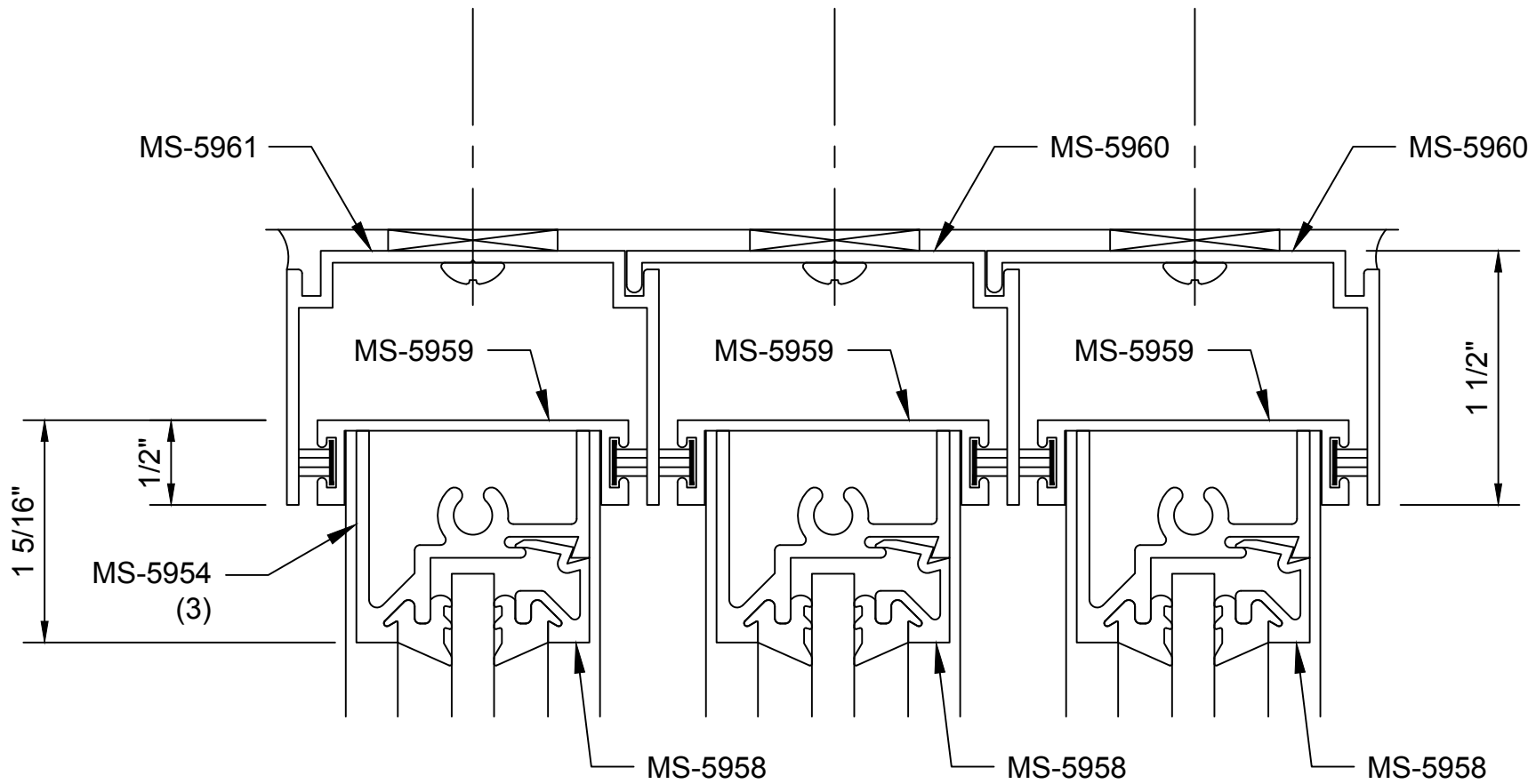
**MS-360 Mall Slider**  
**Single Direction - Elevation**



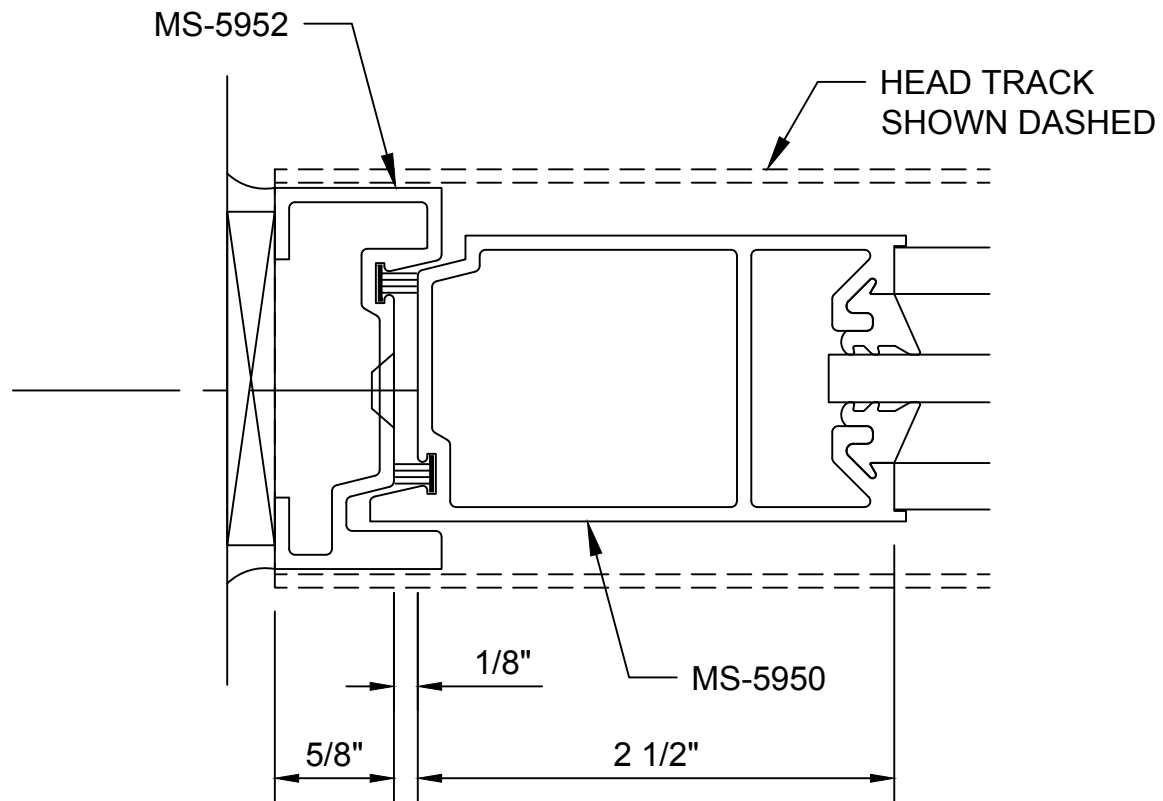
**MS-360 Mall Slider**  
**Bottom Rails - 2 Operators/1 Fixed - HD601**



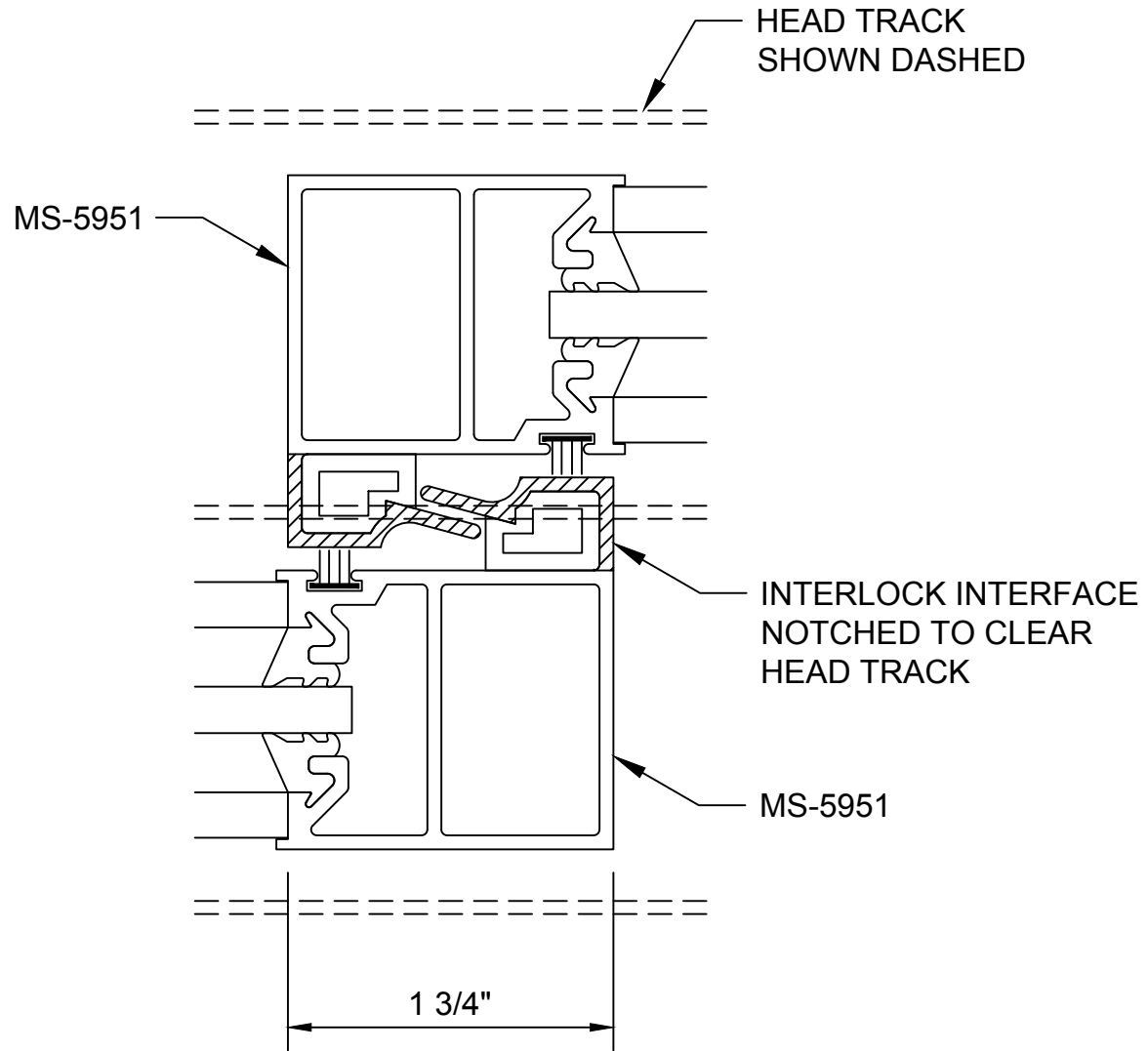
MS-360 Mall Slider  
Mid-Panel - HD602



**MS-360 Mall Slider**  
**Top Rails - HD603**



**MS-360 Mall Slider**  
**Jamb - VD601**



**MS-360 Mall Slider**  
**Sliding Panels at Interlock - VD602**